



American Airlines DC-4

IN 1/144 SCALE



MINICRAFT
MODEL KITS

Legends in the making

In 1936, American Airlines introduced the Douglas Sleeper Transport with accommodations for sleeping bunks for overnight flights. This new plane was to become the classic DC-3, and was a staple of most airlines into the mid-forties. By 1940, however, it was evident that a larger airliner was needed and Boeing had already built a transport variation of the famed B-17 bomber, the Model 307 Stratoliner.

Recognizing the need for a dedicated airliner with four engines, American, Eastern, Pan American and United airlines invested in the development of a sleek, modern transport being built by Douglas. Known as the DC-4, it appeared with many of the design characteristics of the successful DC-3. Unfortunately, that is where the comparisons ended. Although it had a graceful design with

sweeping wings and triple tails, it was underpowered and overweight; the DC-4 was simply too much airplane for the time. It was redesignated DC-4E (for experimental) and sold to the Japanese.

Starting from scratch, Douglas engineers produced the smaller, trimmer and more efficient DC-4. However, just as construction of the planes began, World War II interrupted the airlines plans, and the new transport became the C-54 Skymaster, with all production going to the military.

At the conclusion of the war, the C-54s became available to the airlines and were converted for commercial passenger use. American acquired 52 converted C-54s and operated them as DC-4s alongside their aging DC-3 fleet.



Cement
Coller
Kleben



DO NOT Cement
Ne pas Coller
Nicht Kleben



Cut away
Couper
Scheiden

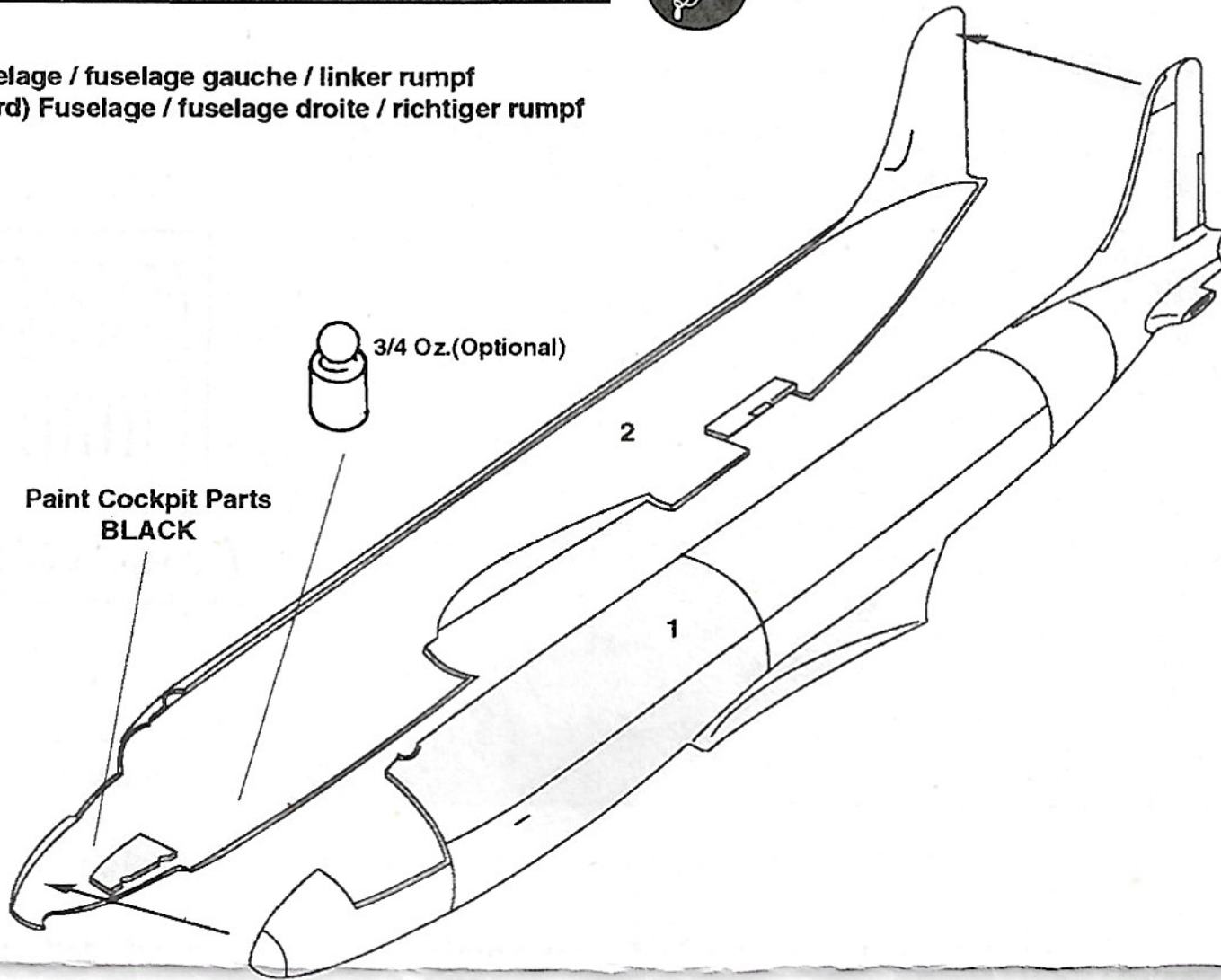


Optional parts
Choix
Auswahlmöglichkeit

1 FUSELAGE ASSEMBLY



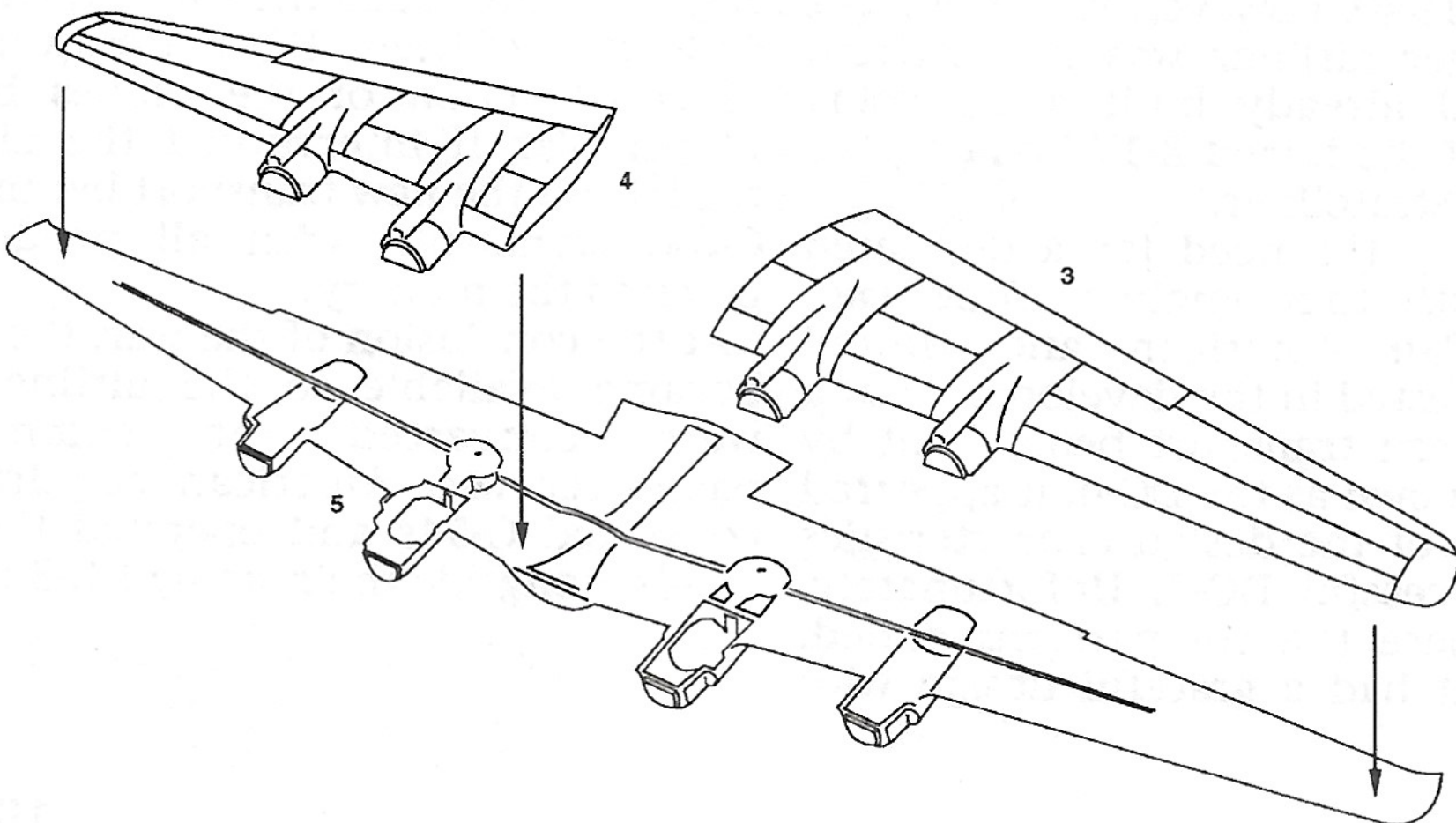
- 1 • Left (Port) Fuselage / fuselage gauche / linker rumpf
- 2 • Right (Starboard) Fuselage / fuselage droite / richtiger rumpf



2 WING ASSEMBLY



- 5 • Lower wing / plus bas aile / läßt Flügel
- 3 • Left upper wing / superieur aile gauche / linker oberen flügel
- 4 • Right upper wing / superieur aile droit / richtiger oberen flügel



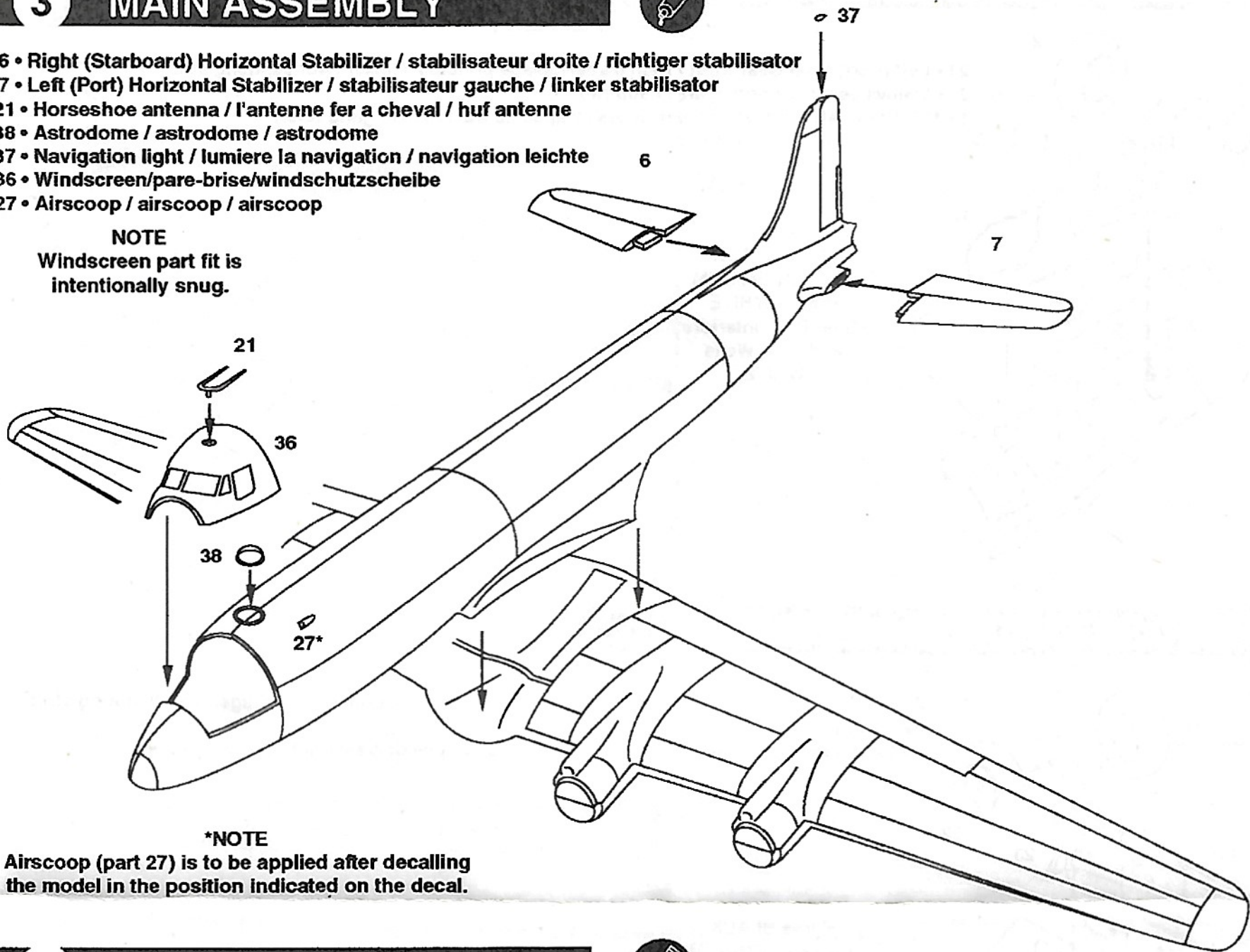
3 MAIN ASSEMBLY



- 6 • Right (Starboard) Horizontal Stabilizer / stabilisateur droite / richtiger stabilisator
- 7 • Left (Port) Horizontal Stabilizer / stabilisateur gauche / linker stabilisator
- 21 • Horseshoe antenna / l'antenne fer a cheval / huf antenne
- 38 • Astrodome / astrodome / astrodome
- 37 • Navigation light / lumiere la navigation / navigation leuchte
- 36 • Windscreen/pare-brise/windschutzscheibe
- 27 • Airscoop / airscoop / airscoop

NOTE

Windscreen part fit is intentionally snug.



***NOTE**

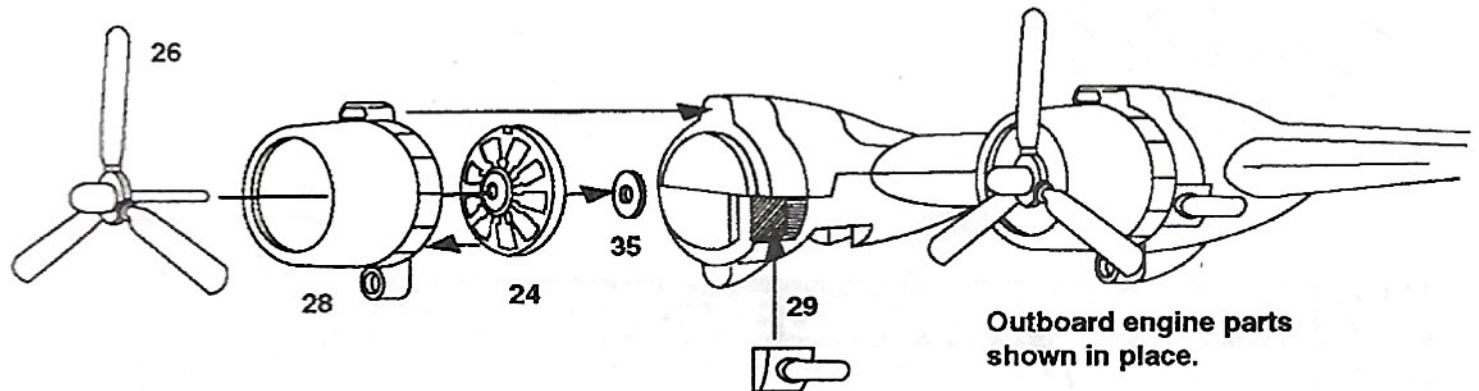
Airscoop (part 27) is to be applied after decalling the model in the position indicated on the decal.

4 ENGINES



Left (port) engines / moteurs gauche / linker maschinen

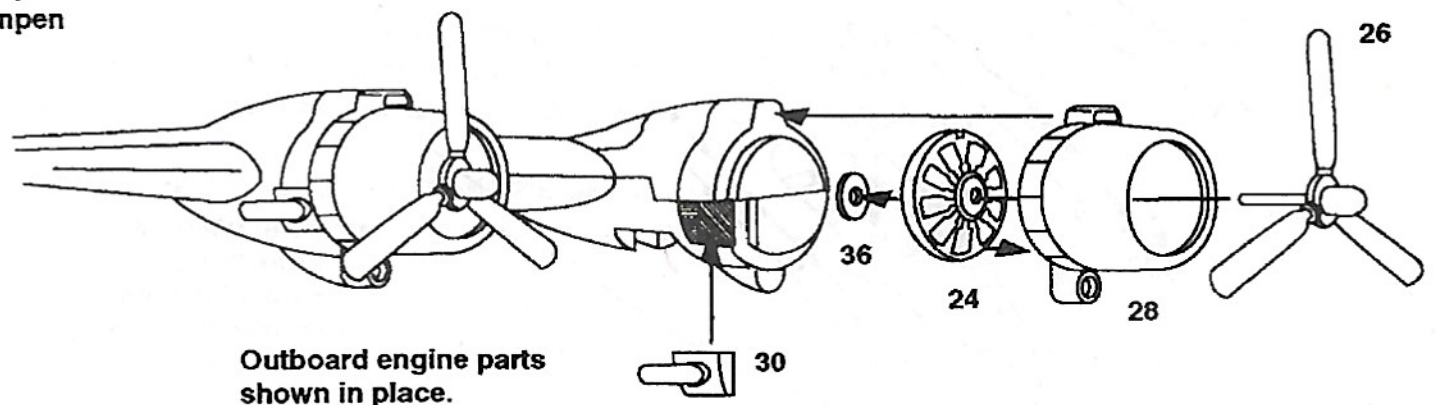
- Propellers BLACK
- Hubs ALUMINUM
- Cowling interiors ALUMINUM
- Engines ALUMINUM
- Exhausts BURNT STEEL



Outboard engine parts shown in place.

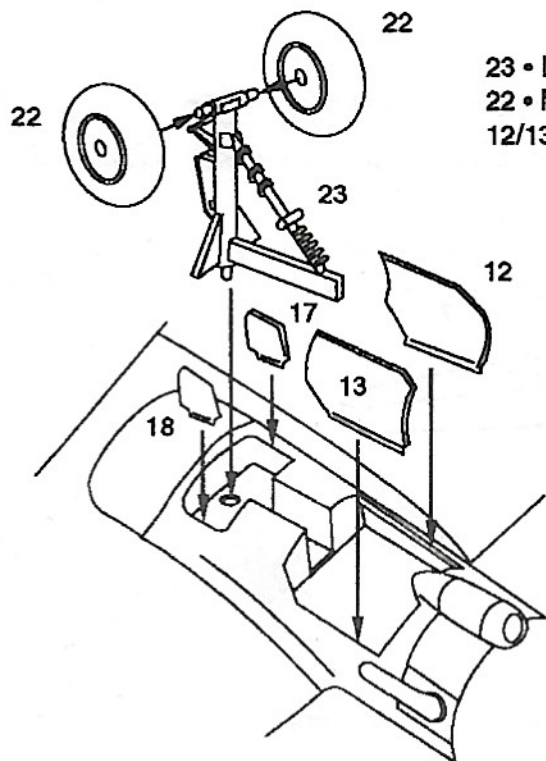
- 26 • Propeller / helice / propeller
- 28 • Cowling / cowling / cowling
- 24 • Engine / moteur /maschine
- 29 • Exhaust / echappement / auspumpen
- 30 • Exhaust / echappement / auspumpen
- 35 • Cap / couverture / kappe

Right (starboard) engines / moteurs droite / richtiger maschinen



Outboard engine parts shown in place.

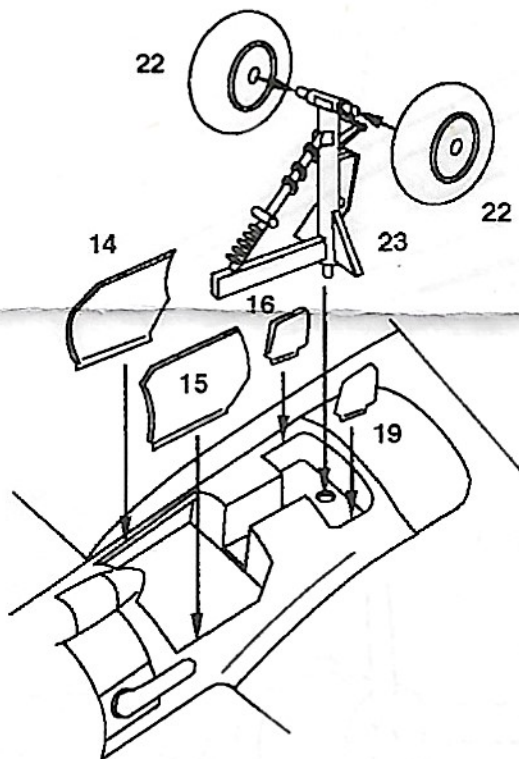
5 LEFT MAIN LANDING GEAR



- 23 • Left (Port) Main Gear Strut / train d'atterrissage principal / linker hauptlandung strut
- 22 • Mainwheel / roue principale / hauptrad
- 12/13/17/18 • Left (Port) Main Gear Doors / trappe de train / linker gang türen

- Tires BLACK
- Hubs ALUMINUM
- Struts WHITE
- Gear Door Interiors and Gear Wells WHITE

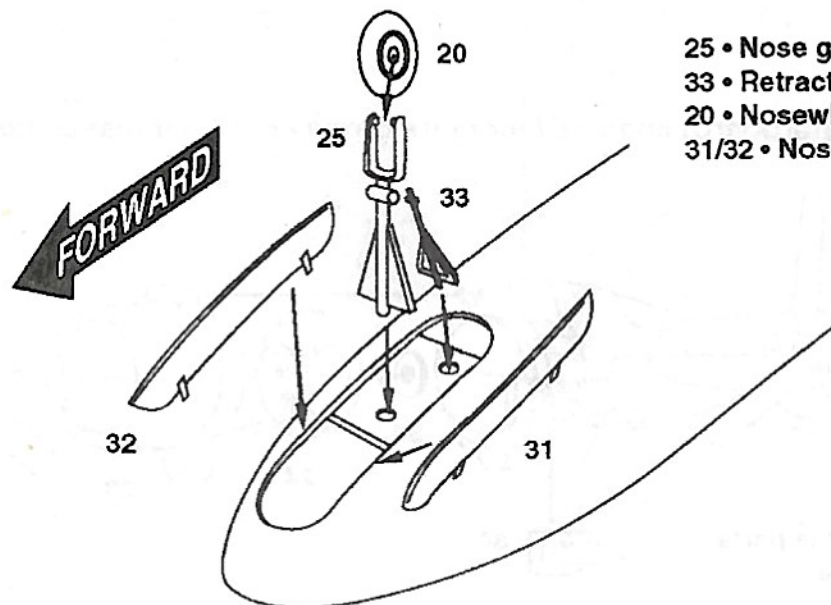
6 RIGHT MAIN LANDING GEAR



- 23 • Right (starboard) Main Gear Strut / train d'atterrissage principal / richtiger hauptlandung strut
- 22 • Mainwheel / roue principale / hauptrad
- 14/15/16/19 • Right (starboard) Main Gear Doors / trappe de train / richtiger gang türen

- Tires BLACK
- Hubs ALUMINUM
- Struts WHITE
- Gear Door Interiors and Gear Wells WHITE

7 NOSE LANDING GEAR



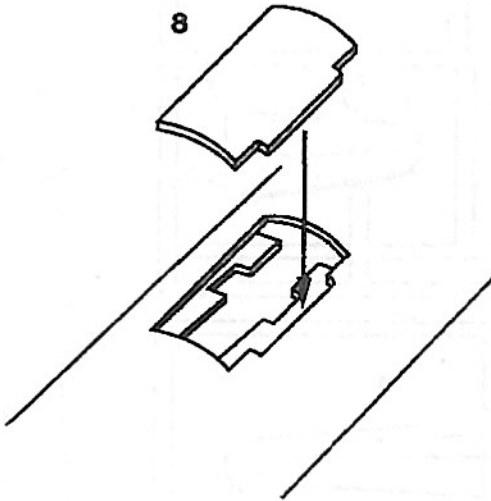
- 25 • Nose gear strut / bielette de nez / nase gang strut
- 33 • Retraction strut / bielette de retraction / retraction strut
- 20 • Nosewheel / roulette de nez / nase rad
- 31/32 • Nose gear doors / trappe de train / nase gang türen

- Tires BLACK
- Hubs ALUMINUM
- Struts WHITE
- Gear Door Interiors and Gear Wells WHITE

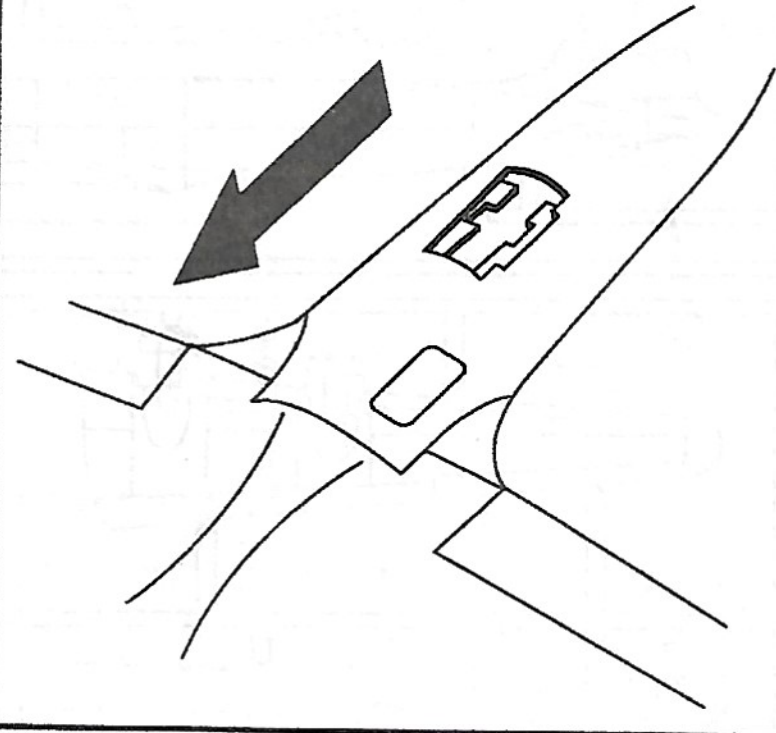
8 UNDERSIDE FAIRING



8 • Fairing (closed door) / faire (porte) / fairing (tür)



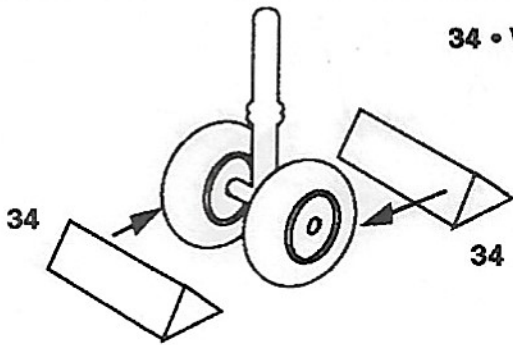
**NOTE • Underside of fuselage shown.
Arrow points toward nose of aircraft.**



9 WHEEL CHOCKS



34 • Wheel chocks / chocks de roue / rad bremsklötze

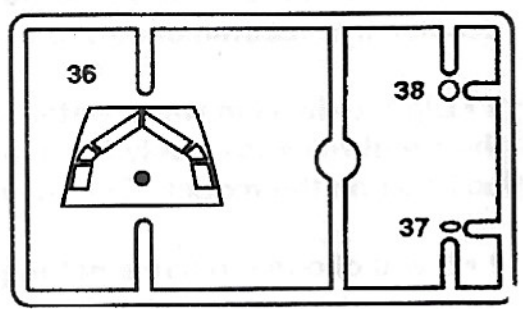
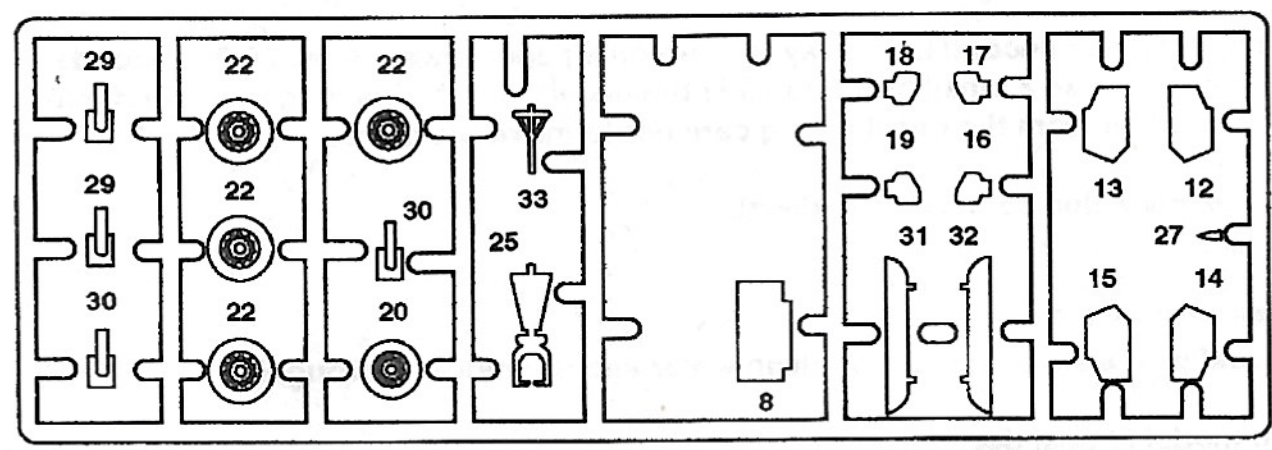
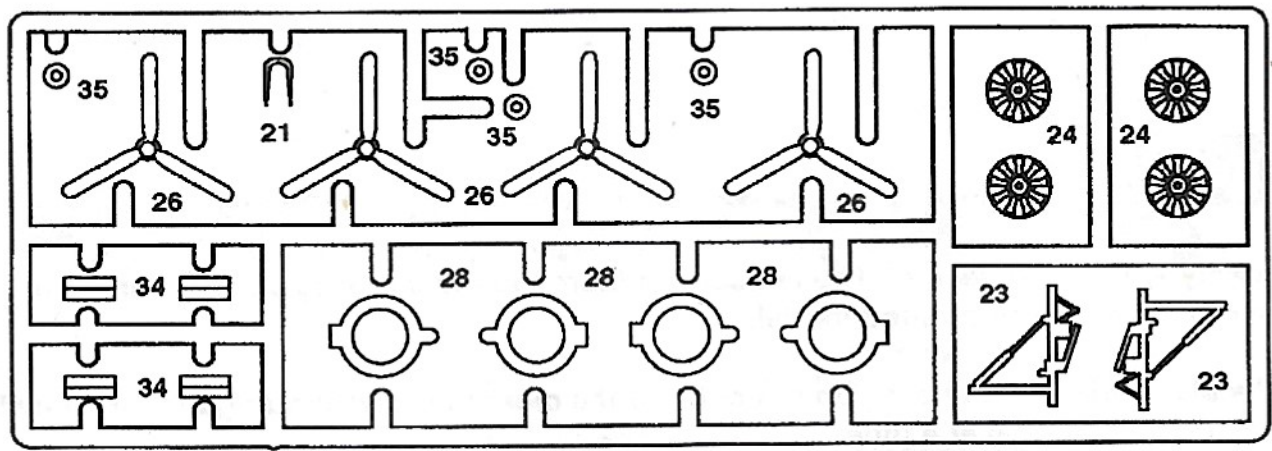
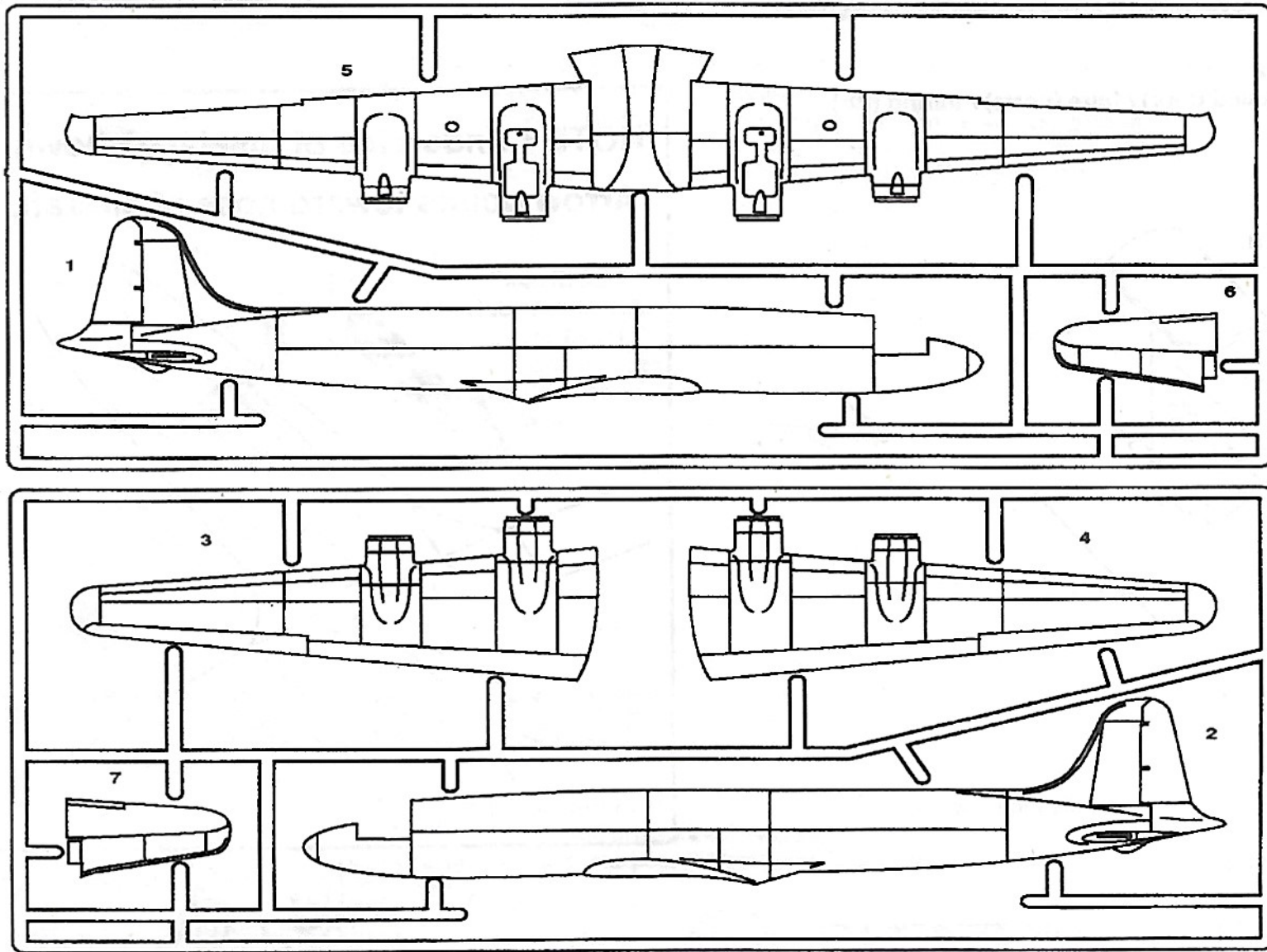


DECAL INSTRUCTIONS

Your MINICRAFT model includes high-quality waterslide decals. These decals adhere best to a glossy surface; and it is recommended that you apply a clear gloss coat over your painted model.

- 1 • Use a sharp scissors or knife to cut decals from carrier sheet. Do not cut into the clear film surrounding the individual decals. It is recommended to cut out and apply one decal at a time.
- 2 • Dip the decal in warm water for approximately ten seconds, then lay face up on a paper towel. After 20-30 seconds, the decal will slide freely from the backing paper. Use a small brush to slide the decal from the backing paper and into position on the model. Carefully blot excess water from the decal, using care not to move the decal.
- 3 • If you choose to use a setting solution, apply a thin coat over the decal.
- 4 • Allow the decals to dry overnight.
- 5 • Wash any adhesive residue off the model with a small amount of clean water and dry model thoroughly.
- 6 • Apply clear gloss, matte or flat coat to model to seal decals.

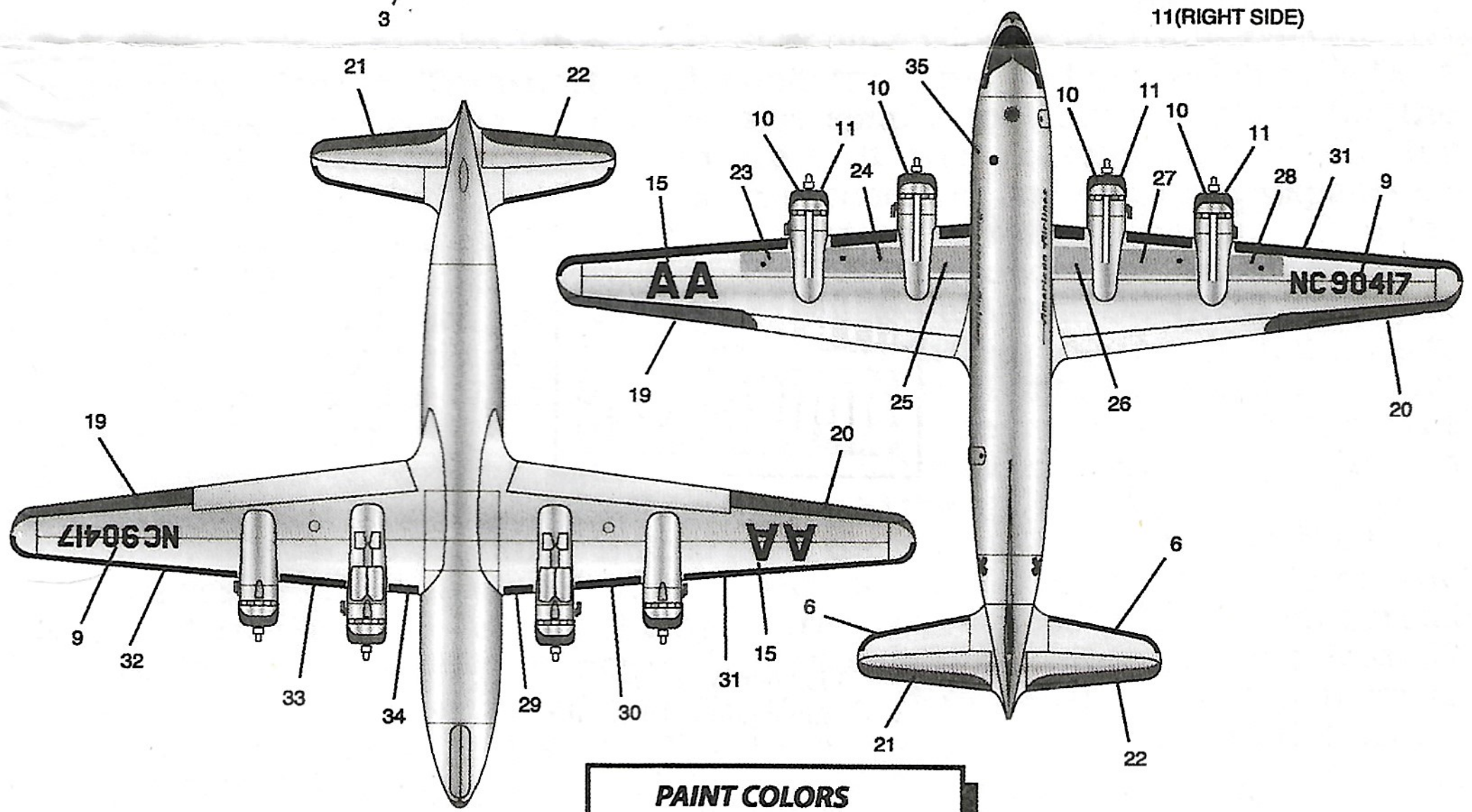
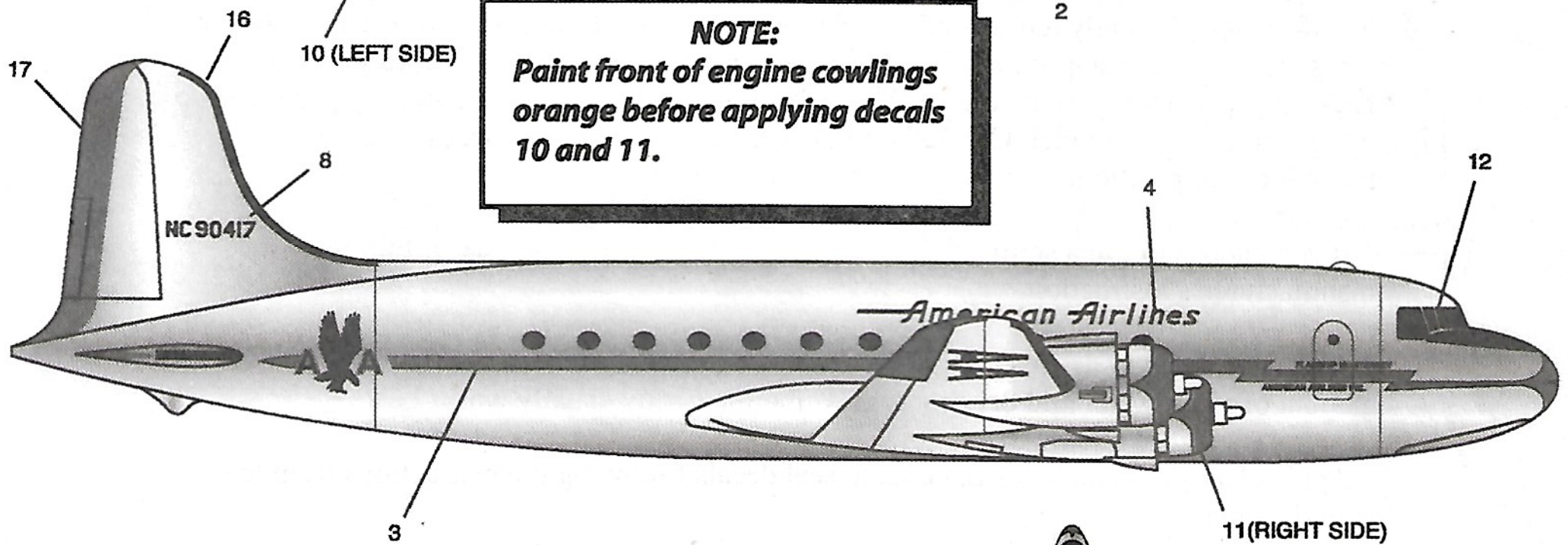
PARTS LAYOUT DIAGRAM



AMERICAN AIRLINES DC-4



NOTE:
 Paint front of engine cowlings
 orange before applying decals
 10 and 11.



PAINT COLORS

	NATURAL ALUMINUM OVERALL
	ORANGE 1127

Your Minicraft model includes high-quality waterside decals. These decals adhere best to a glossy surface; and it is recommended that you apply a clear gloss coat over your painted model.

Use a sharp scissors or knife to cut individual decals from the carrier sheet. Do not cut into the clear film surrounding the individual decals.

* It is recommended that you apply one decal at a time.

* Place the decal section in warm water and note when first inserted in water it will curl but after approximately ten seconds the decal will uncurl. Remove from water and lay on a paper towel. After approximately 10 - 20 seconds the decal will slide freely from the backing paper. Use a small soft brush to help slide the decal from the backing paper and into position on the model. Carefully blot excess water from the decal, using care not to move it out of position.

* If you choose to use a setting solution, apply a thin coat over the decal following the manufacturer's instruction.

* Allow the decal to dry overnight. Wash any adhesive residue off the model with a small amount of clean water and dry thoroughly. Patting gently usually works best.

* Apply clear gloss, matte or flat coat to seal decals following the instructions from the manufacturer.



Legends in the making™

Visit our Website-
www.minicraftmodels.com

SCALE-MASTER®
DECALS

AMERICAN AIRLINES DC-4 #14530

MINICRAFT
MODEL KITS

Legends in the making



35

American Airlines

2

5

1

FLAGSHIP MONTERREY

AMERICAN AIRLINES INC.



3

American Airlines

4

FLAGSHIP MONTERREY

AMERICAN AIRLINES INC.

Invisi-Clear®

NC 90417

NC 90417

NC 90417

NC 90417



10



11

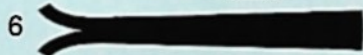
AA

AA

16



12 13

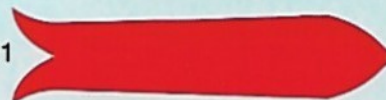


6

14



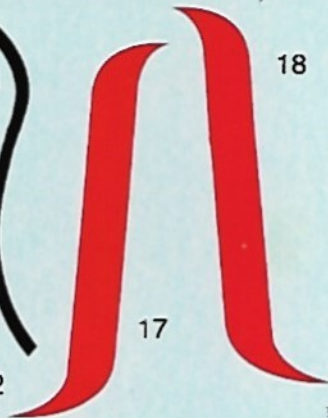
21



20



22



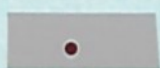
17

18

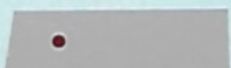
19



23



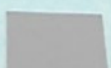
24



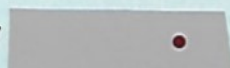
25



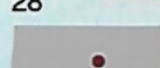
26



27



28



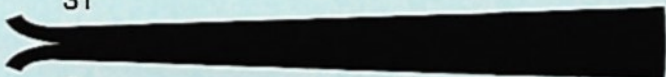
29



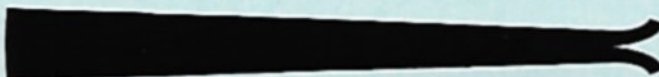
30



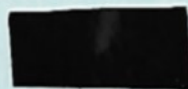
31



32



33



34



© 2004 MINICRAFT MODELS INC. ALL RIGHTS RESERVED