

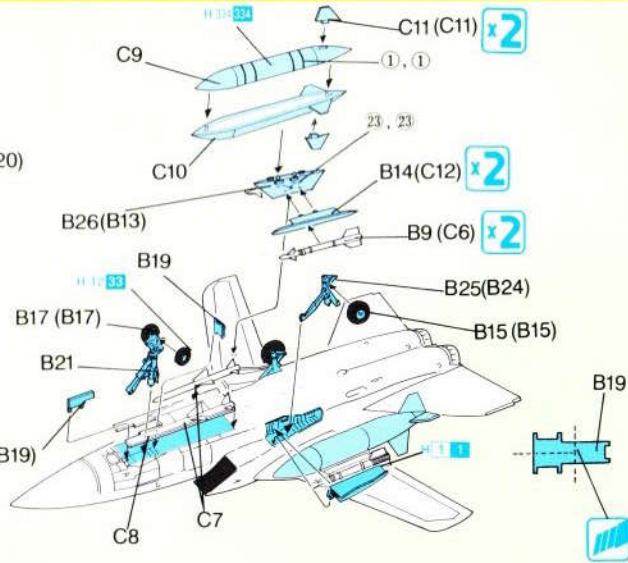
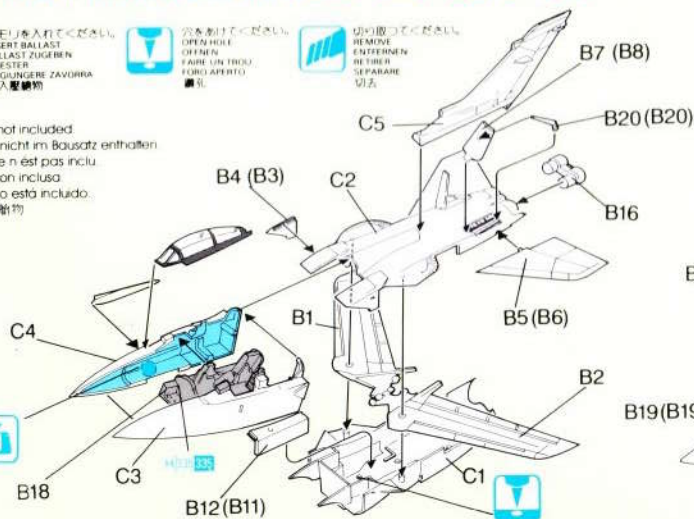
# RAF TORNADO F-3

# 皇家空军‘旋风F-3’空优战机

## ASSEMBLY INSTRUCTION 組合說明



- Ballast is not included
- Ballast ist nicht im Bausatz enthalten
- Le lestage n'est pas incluí
- Zavorra non inclusa
- El lastre no está incluido
- 不包括配重物



## MARKING AND PAINTING 標貼及著色指示

### Correct Method for Applying Decals

- Clean model surface with wet cloth.
- Cut each design out of decal sheet and dip them in warm water for 20 seconds.
- Check with finger tip if design is loose on base paper. If so, place it on proper position on model and slide off base paper leaving design on model.
- Move design to exact position with wet finger tip, and push out excess water and air bubbles under decal with soft cotton cloth.
- When decals get dry, wipe off with wet cloth, excess glue left around decals.

### 貼上水印標貼的正確方法：

將各標貼從紙上切出，浸入溫水中20秒，再放到模型表面正確位置上，將底紙移去，用柔軟的布輕輕壓，確保效果完美。

H11 GUNZE SANGYO AQUEOUS HOBBY COLOUR H12 GUNZE SANGYO MR. COLOUR  
ITALERI PAINT NO.

H11	WHITE	白色	H176	BURNT IRON	暗鐵色
H12	BLACK	黑色	H303	LIGHT AIRCRAFT GRAY BS381C82	淺機用灰色
H112	FLAT BLACK	平塗黑色	H304	BARLEY GRAY BS40010B21	麥芽灰
H118	STEEL	鋼色	H305	MEDIUM SEA GRAY BS381C83	中深海軍灰
H52	OLIVE DRAB(1)	橄欖綠(1)	H306	HEMP BS480010B21	麻色

