



GMC ASTRO 95



A1230-200

READ THIS BEFORE YOU BEGIN

Look over this Instruction Sheet carefully before you begin building. Follow the assembly instructions and "TEST-FIT" the parts without cementing. This will familiarize you with the location of the parts.

For the best results, the various sub-assemblies and components should be painted before any "chrome" parts are attached. For example: When attaching "non-chrome" engine parts, it is best to cement them in place and paint as a unit.

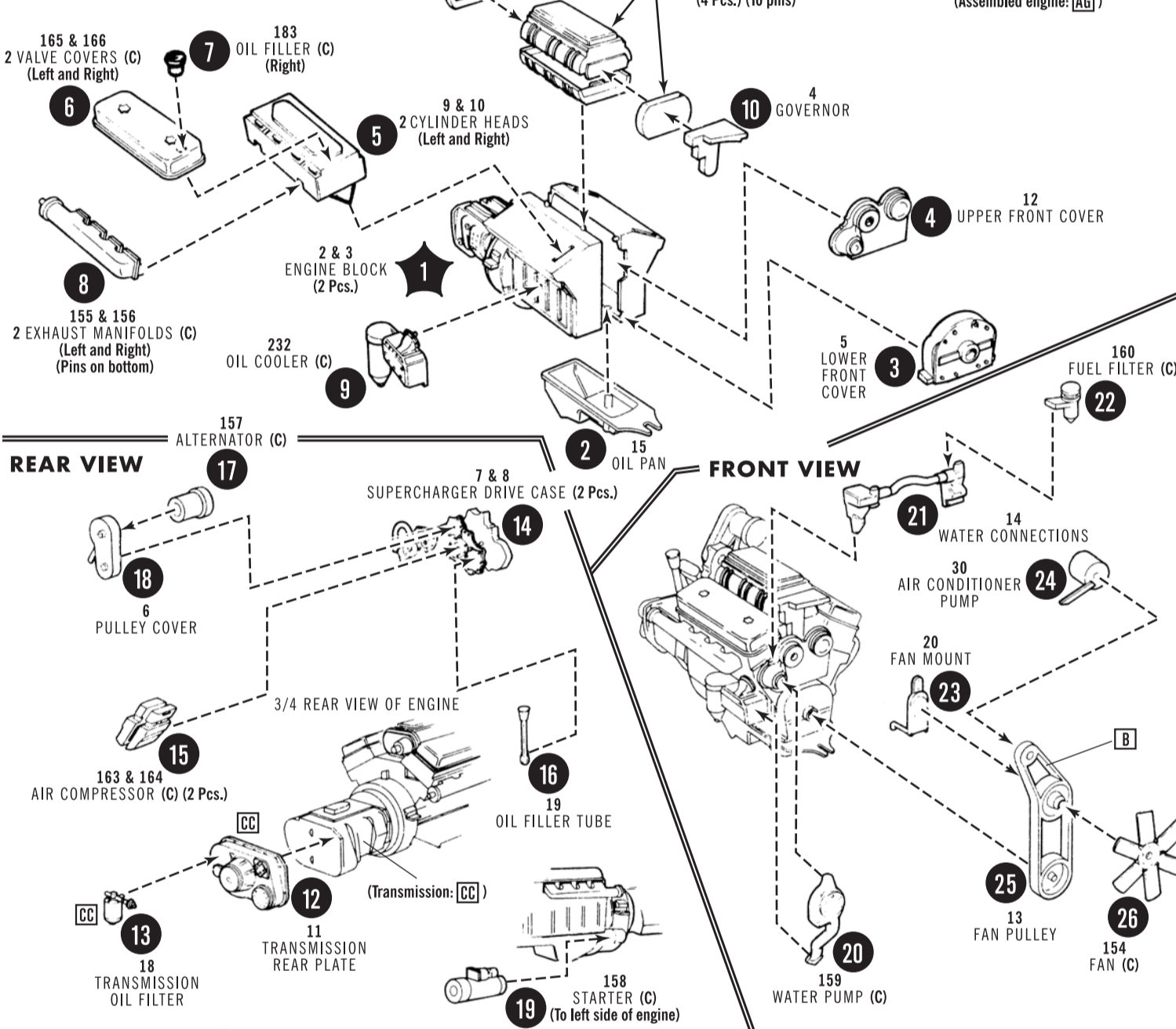
AMT kits are molded from the finest high-impact Styrene

plastic. Use only paint and cement made for Styrene. Trim excess plastic from parts before joining. When attaching "chrome" or painted parts, scrape plating or paint away where parts are joined. Use just enough cement to join parts, and be careful not to smear cement on exposed surfaces.

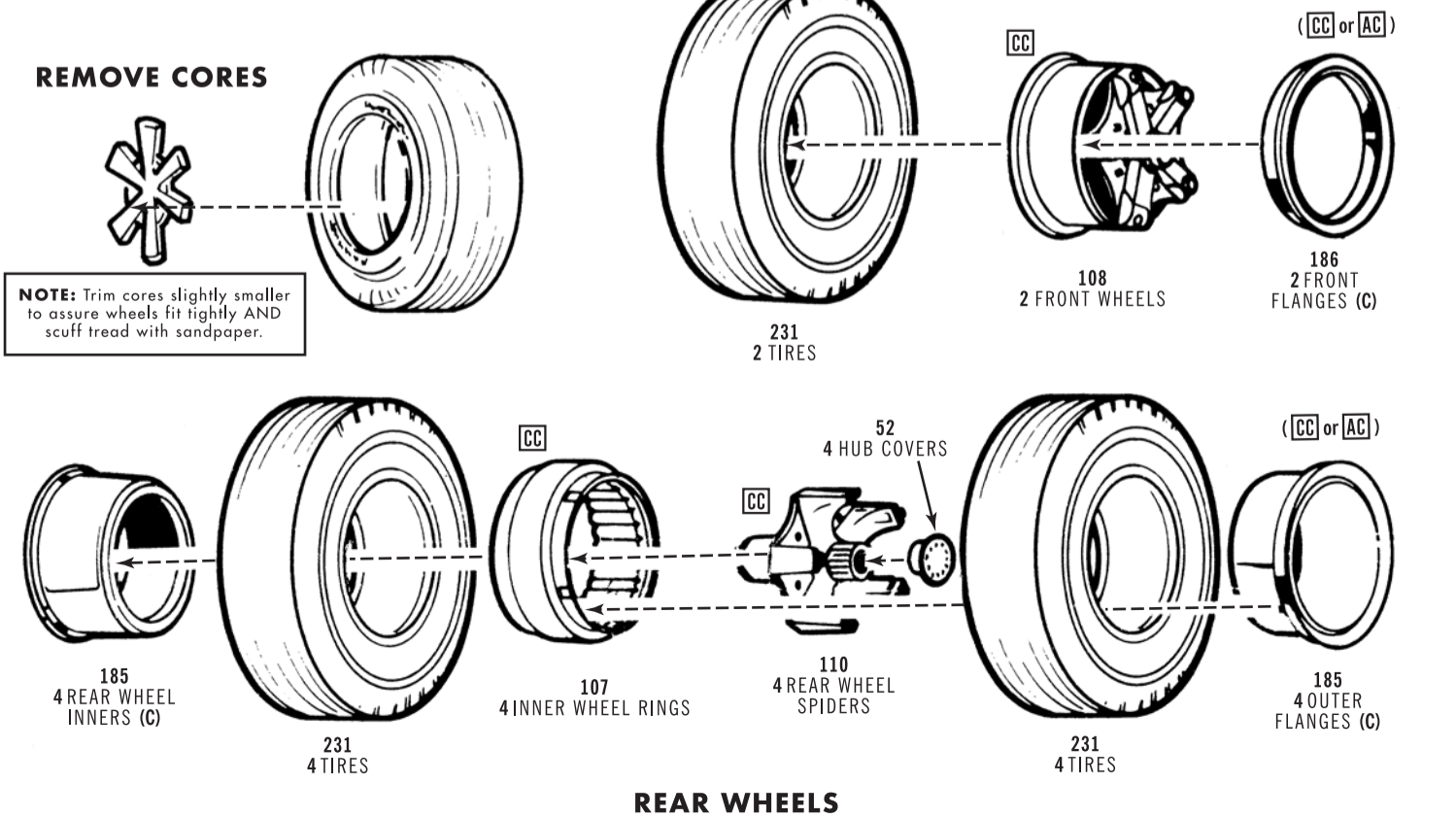
Built according to the instructions on this sheet, you should have no trouble assembling your model. Just FOLLOW THE NUMBERS as the instructions are numbered in the order of assembly. (C) INDICATES "CHROME" PARTS.

- 1 START OF ASSEMBLY
- 5 ASSEMBLY SEQUENCE NUMBER
- 8 OPTIONAL SET UP
- 122 THIS REFERENCE NUMBER MAY BE USED TO LOCATE THE PART ON THE BOX TRAY. (IT IS NOT A PART NUMBER)

1. ENGINE 1-26

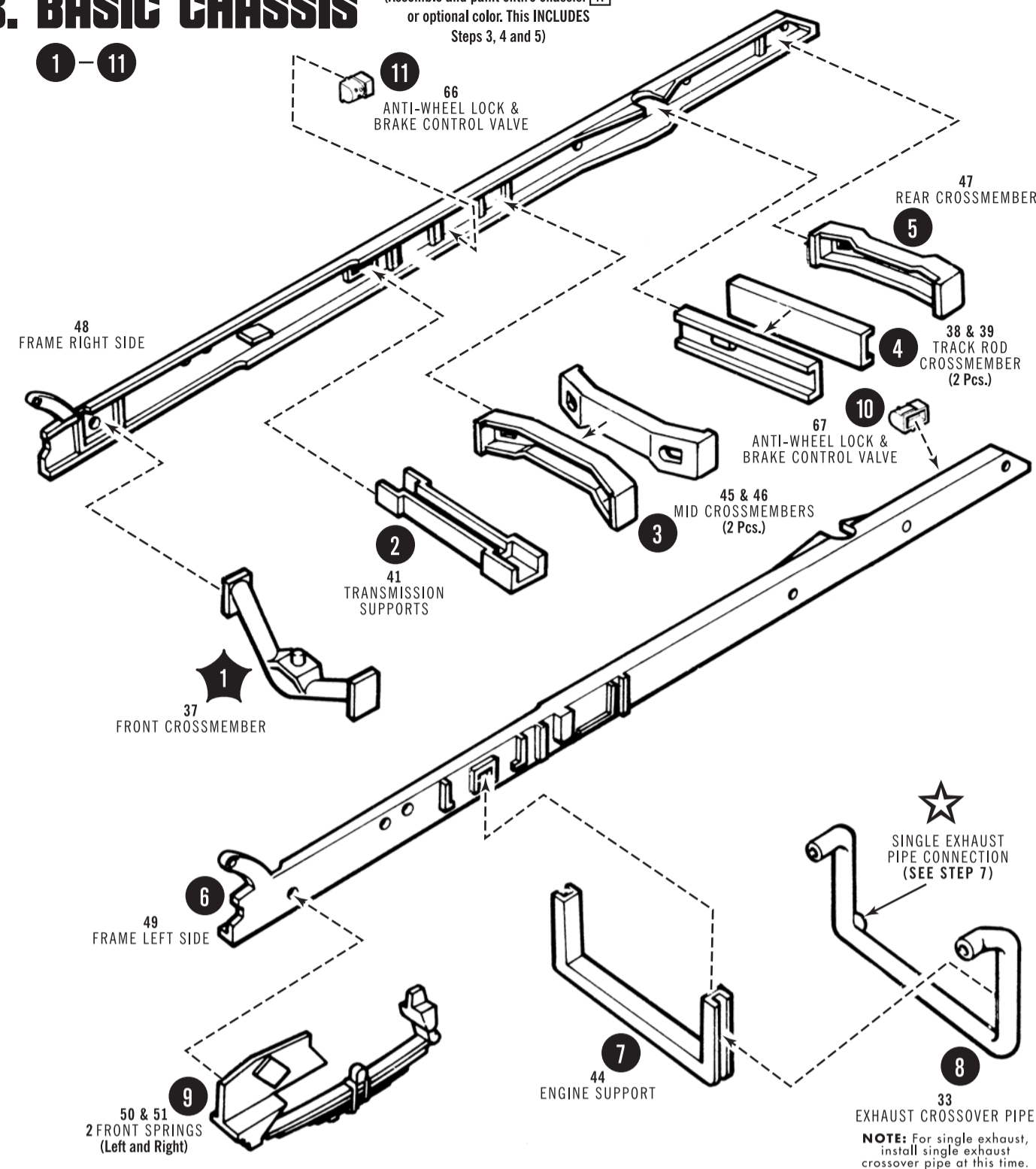


2. WHEELS



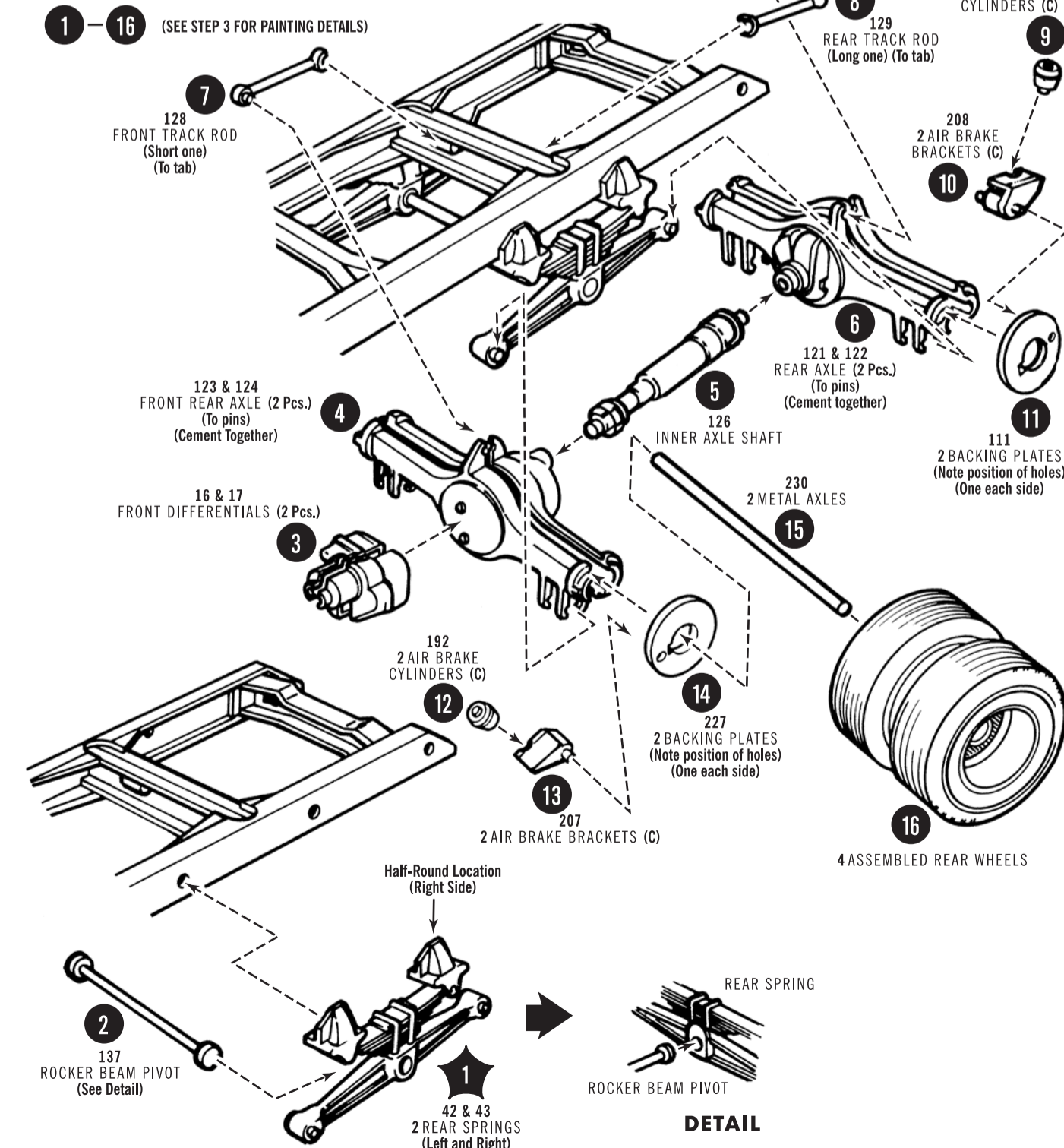
3. BASIC CHASSIS 1-11

(Assemble and paint entire chassis: A or optional color. This INCLUDES Steps 3, 4 and 5)



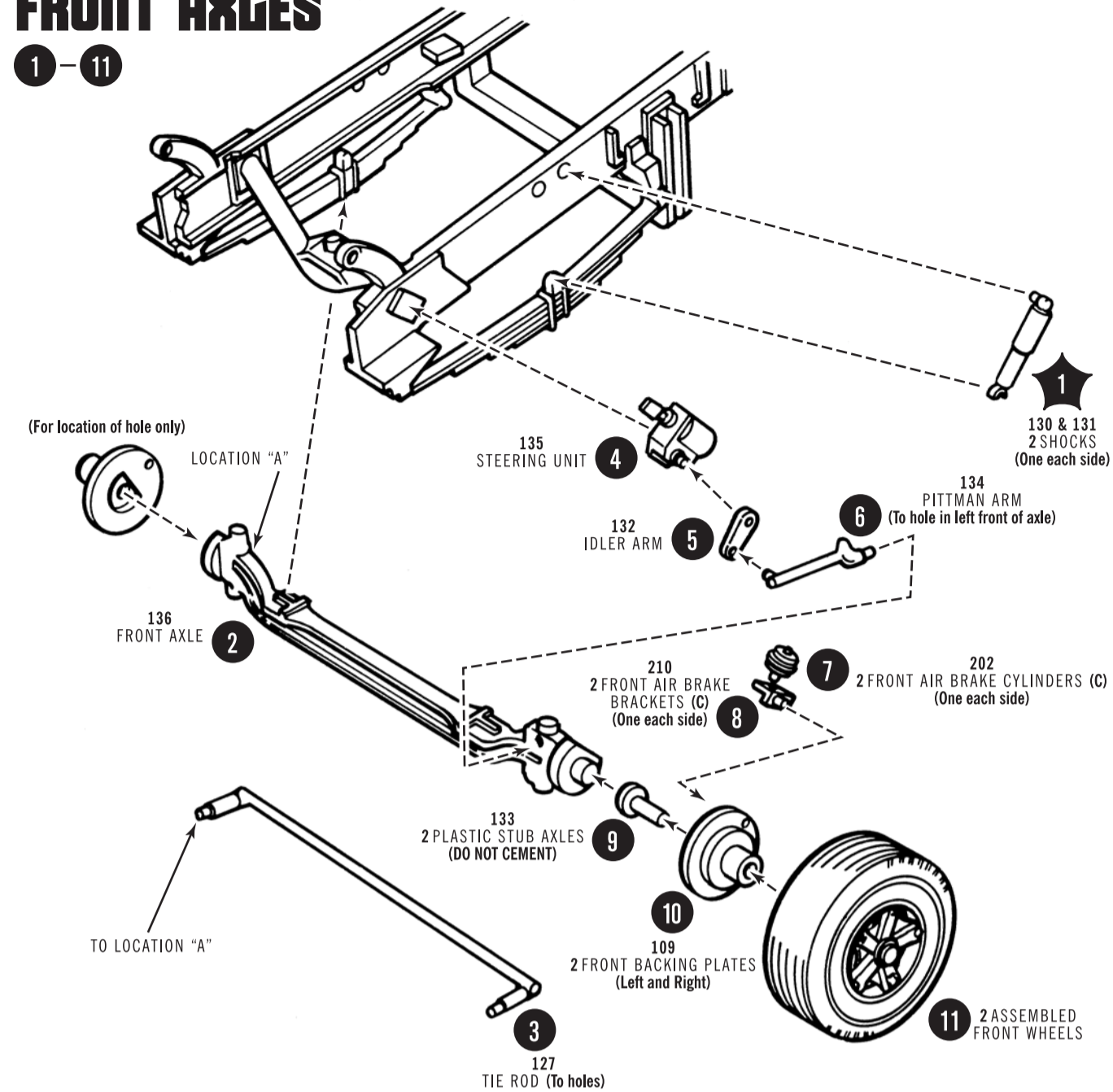
4. SPRINGS AND DRIVE TRAIN 1-16

(SEE STEP 3 FOR PAINTING DETAILS)

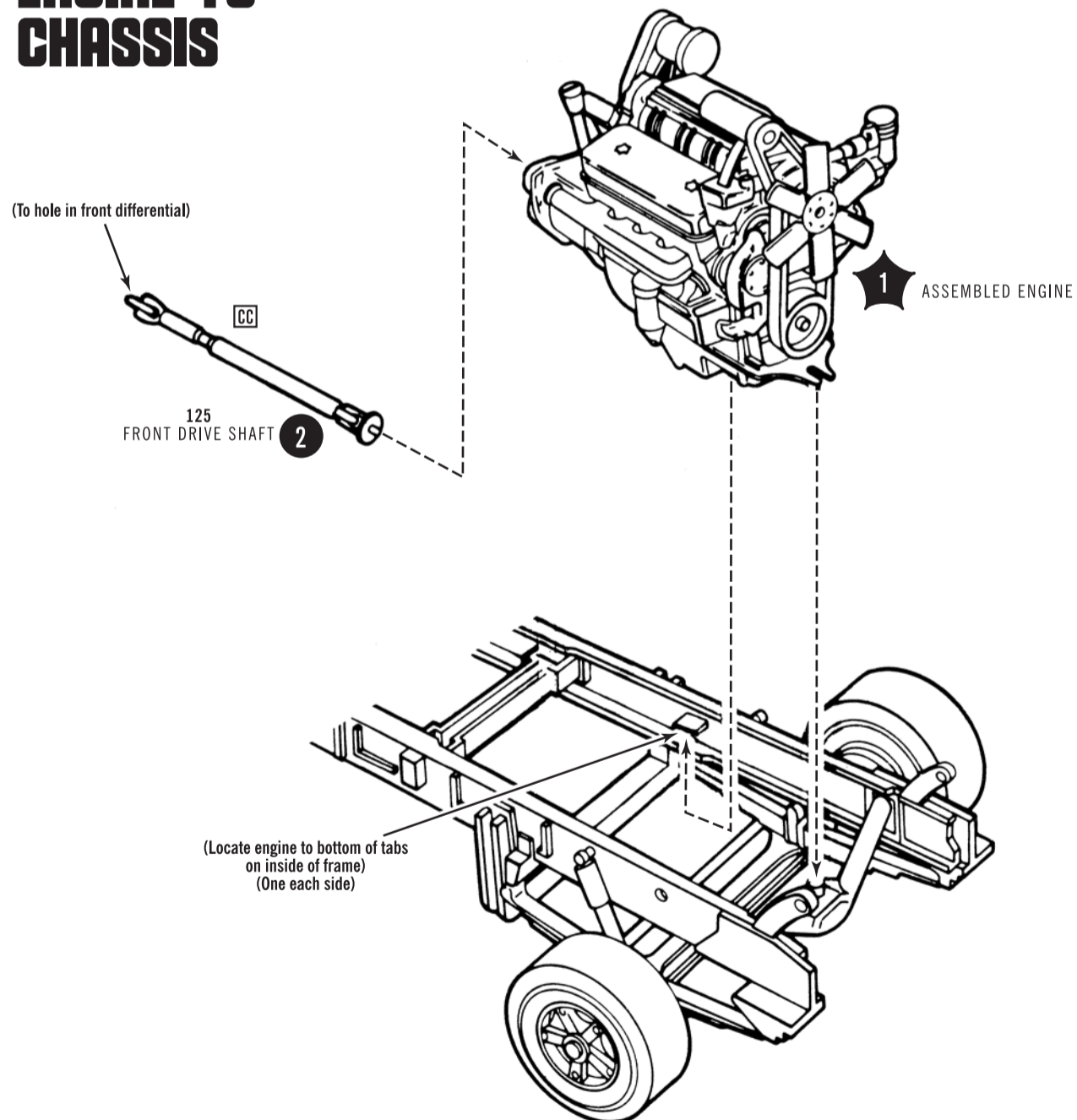


5. FRONT AXLES 1-11

(SEE STEP 3 FOR PAINTING DETAILS)



6. ENGINE TO CHASSIS



PAINT COLORS

A	Black	J	Steel	Q	Yellow	AG	Alpine Green
B	Flat Black	K	Brass	R	Tan	AC	Accent Color
C	Semi-Gloss Black	L	Gold	S	Brown	CC	Chassis Color
D	White	M	Amber	T	Lt. Blue	WB	Wood Brown
E	Flat White	N	Transparent Amber	U	Med. Blue	BC	Body Color
F	Silver	O	Red	V	Dark Blue	▲	Semi-Gloss
G	Chrome (Bright Silver)	P	Transparent Red	W	Transparent Blue	△	Gloss
H	Aluminum	X	Orange	X	Lt. Green	▲	Metallic

It is recommended that you search the internet for additional color references and details.

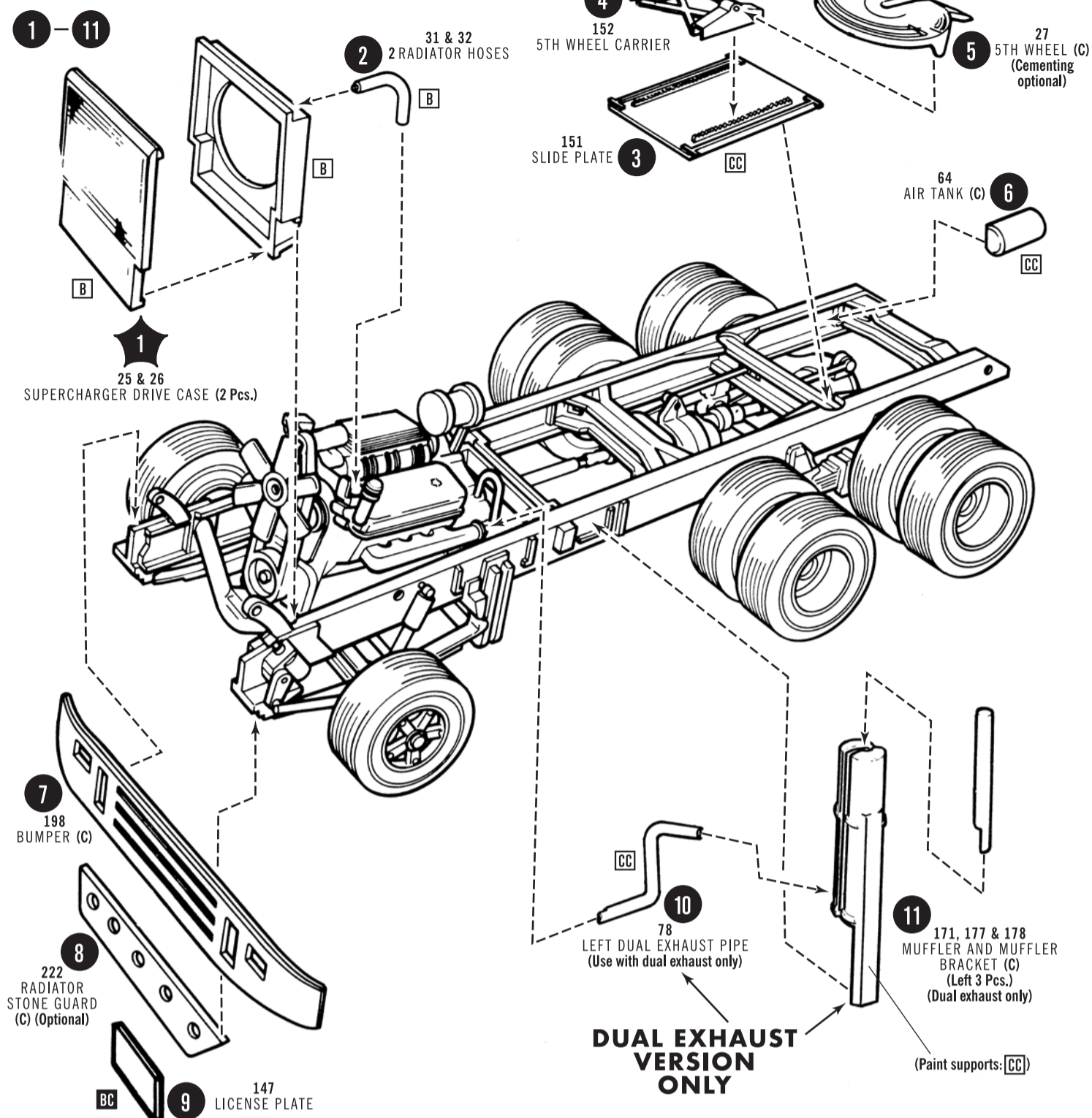


OFFICIAL LICENSED PRODUCT

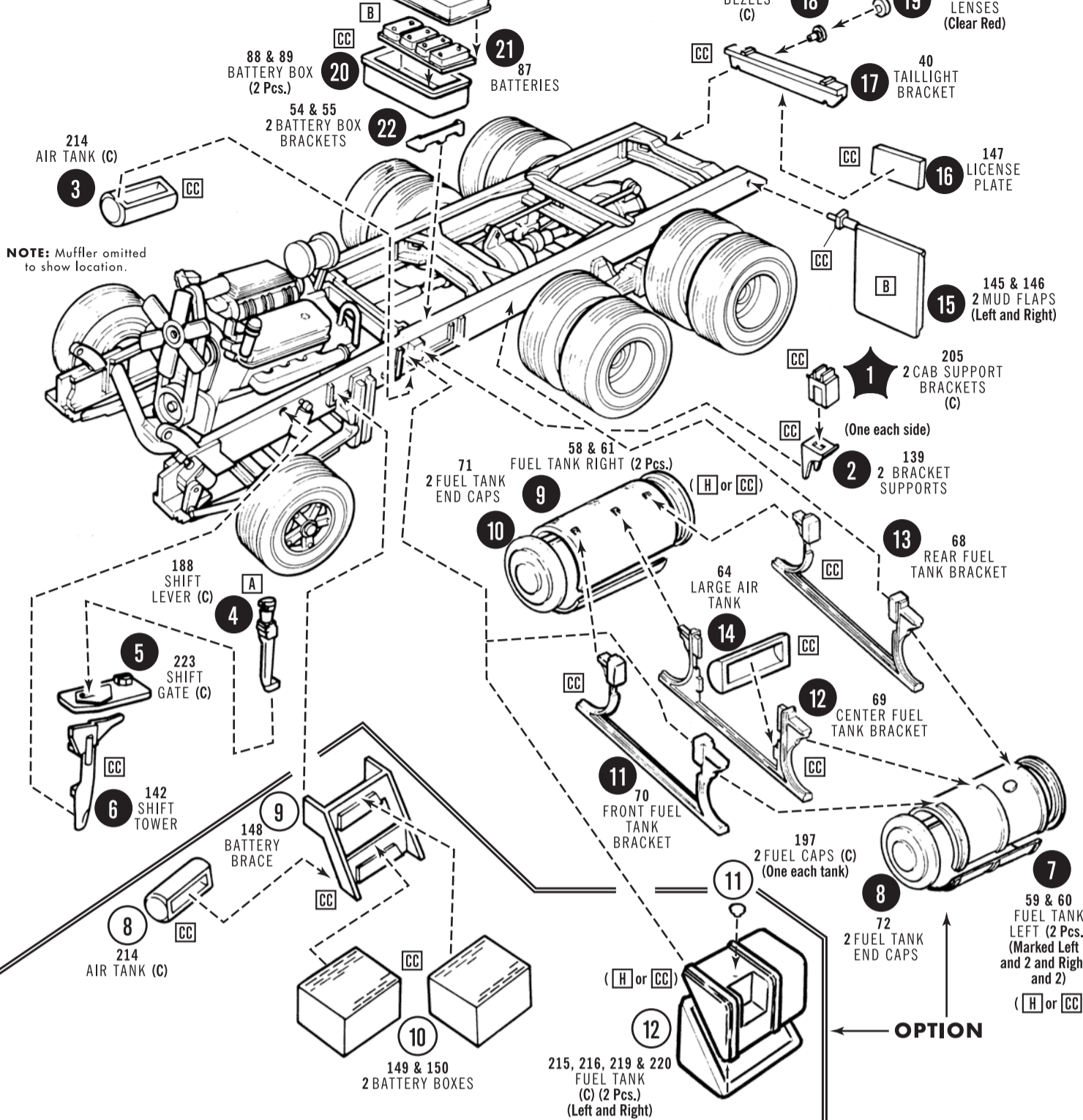
This licensed product is intended for adults of legal drinking age.

GENERAL MOTORS Trademarks used under license to Round 2, LLC. ©2021 Miller Brewing Company. All rights reserved. Produced under license by Round 2, LLC. Firestone and the Firestone Logo are registered trademarks of Bridgestone Brands, LLC and are used with permission. Other names and trademarks used under license to Round 2, LLC or by permission. AMT and design is a registered trademark of Round 2, LLC. ©2021 Round 2, LLC, South Bend, IN 46628 USA. Product and packaging designed in the USA. Made in China. All rights reserved.

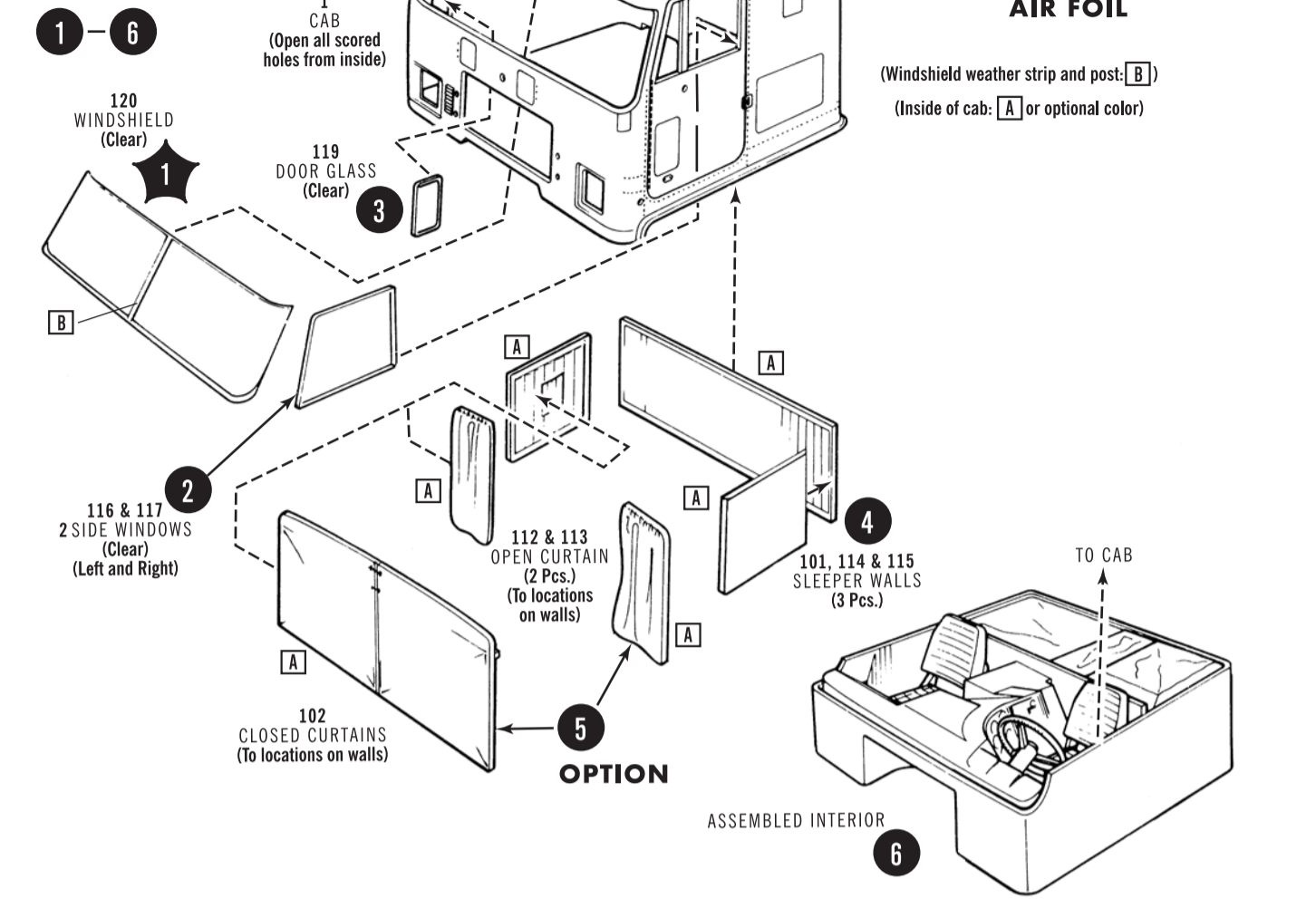
7. CHASSIS ACCESSORIES



4. INTERIOR



5. WINDOWS INTERIOR TO CAB



6. CAB ACCESSORIES

