



Classic Airframes



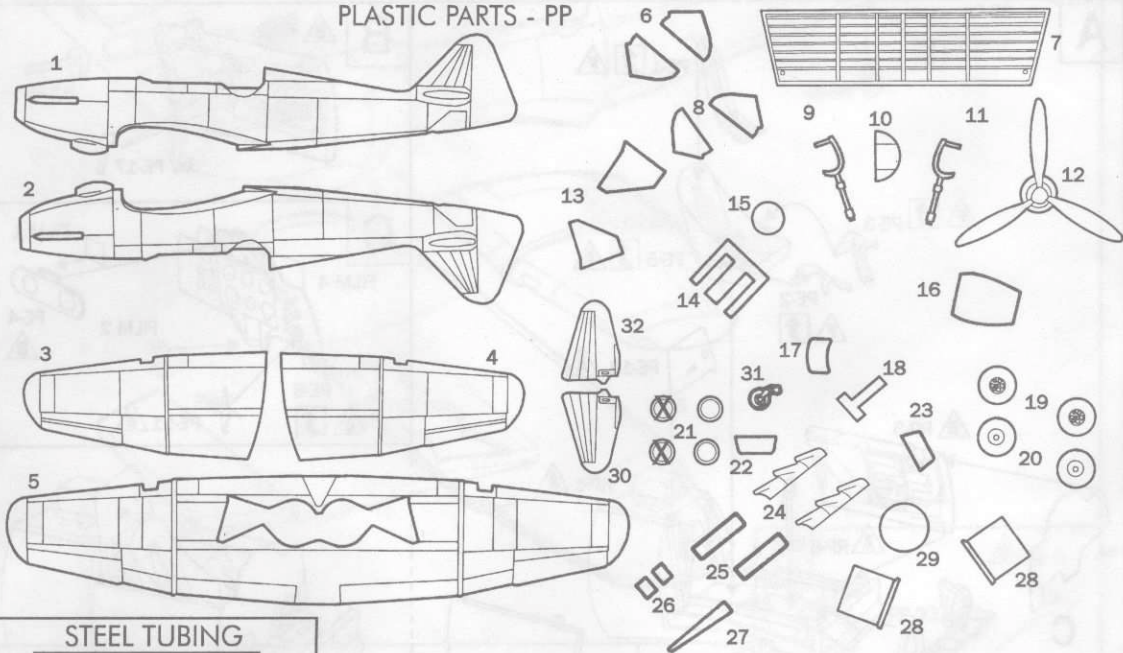
Boulton-Paul

DEFIANT Mk.I

1/48 SCALE PLASTIC KIT

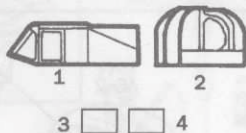
95-404

PLASTIC PARTS - PP

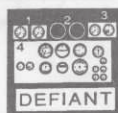


STEEL TUBING

ACETATE PARTS-AC



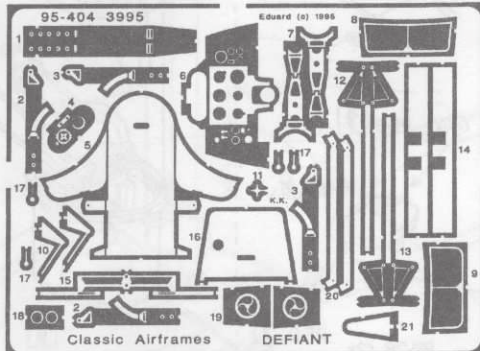
FILM



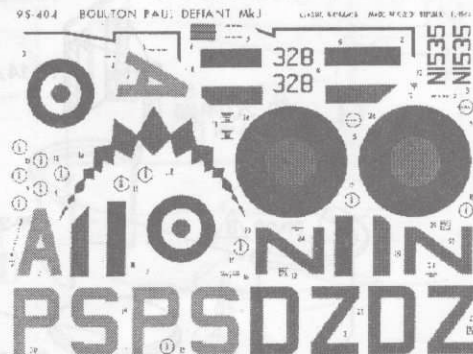
RESIN PARTS-RP



PHOTO ETCHED DETAIL PARTS - PE



DECAL SHEET



NOTE: TO ATTACH PHOTO ETCHED, WHITE METAL AND RESIN PARTS, IT IS RECOMMENDED TO USE SUPER GLUE

?
 OPTIONAL
 FACULTATIF
 NACH BELIEBEN
 VOLBA

↑
 BEND
 PLIER SIL VOUS PLAIT
 BITTE BIEGEN
 OHNOUT

|||
 OPEN HOLE
 FAIRE UN TROU
 OFFNEN
 VYVRTAT OTVOR

↔
 SYMETRICAL ASSEMBLY
 MONTAGE SYMÉTRIQUE
 SYMMETRISCHE AUFBAU
 SYMETRICKÁ MONTÁŽ

✂
 REMOVE
 RETIRER
 ENTFERNEN
 ODRÍZNOUT

A
 GREEN
 VERT
 GRÜN
 ZELENÁ

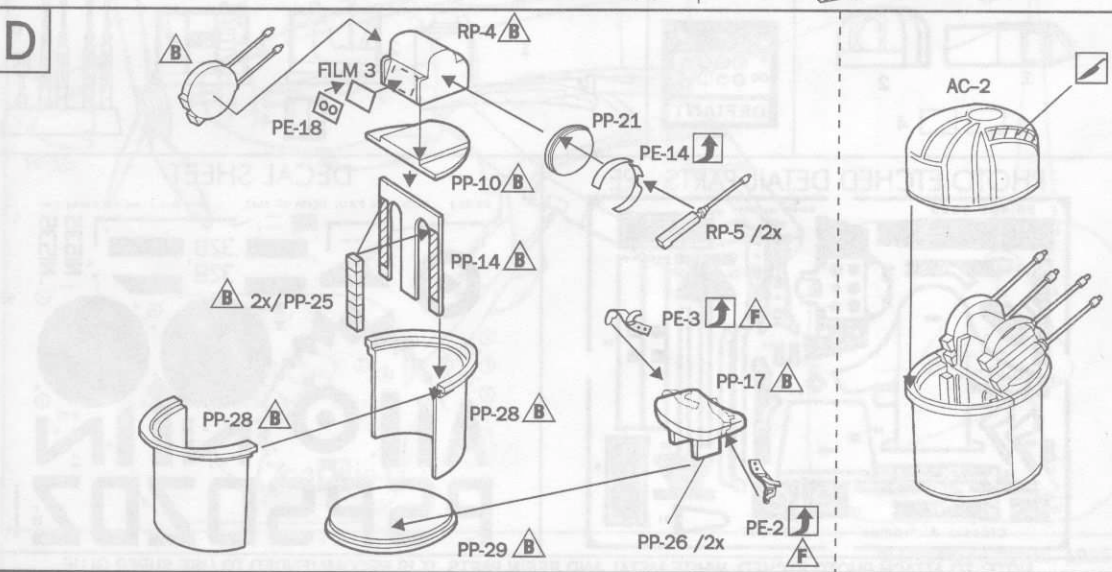
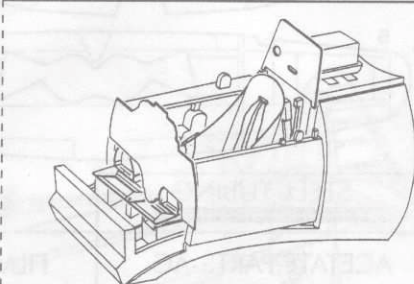
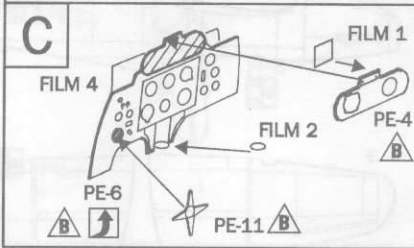
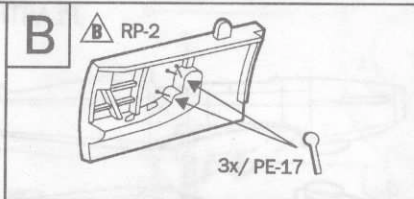
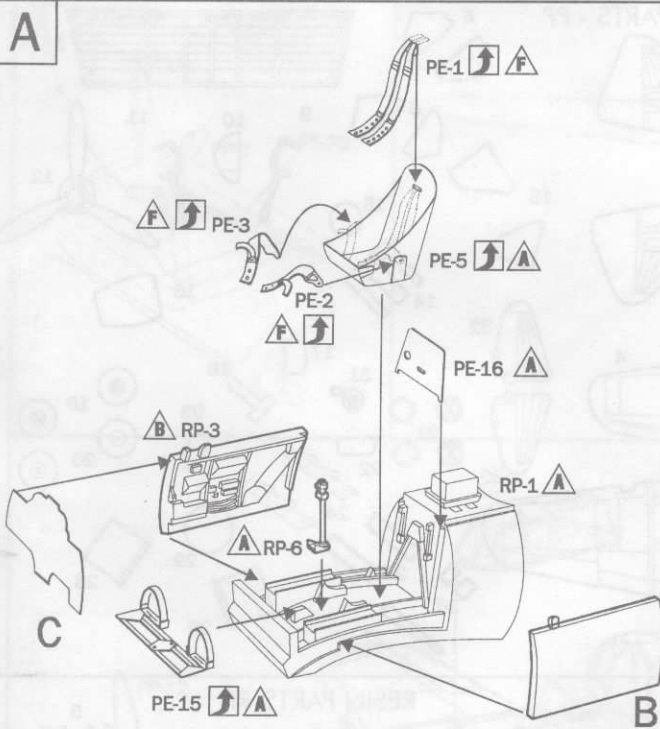
B
 BLACK
 NOIR
 SCHWARZ
 ČERNÁ

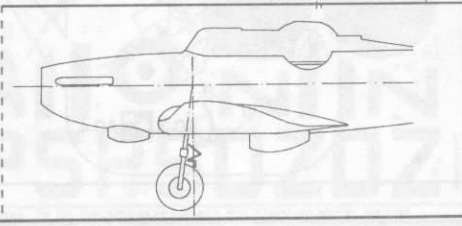
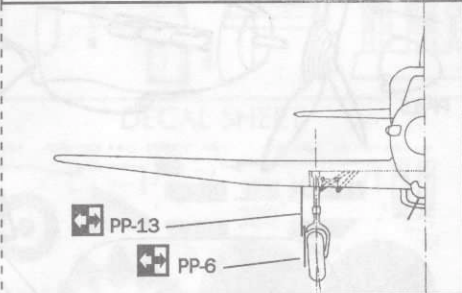
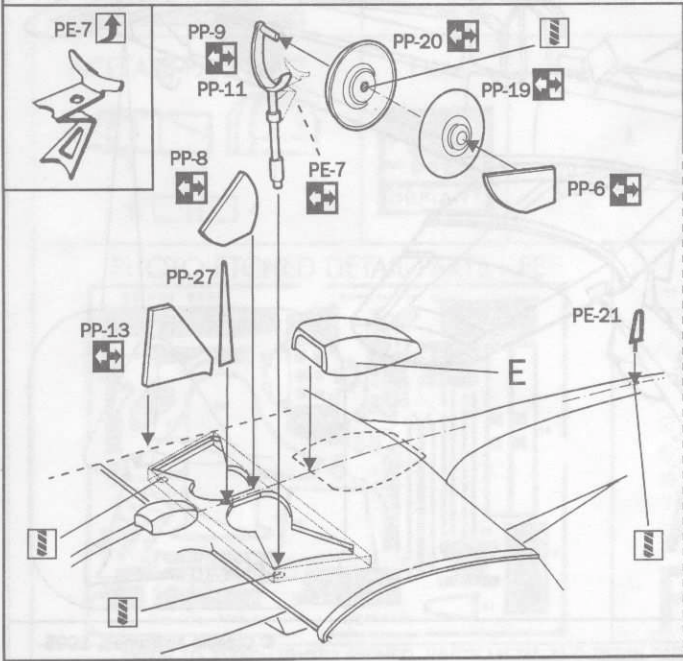
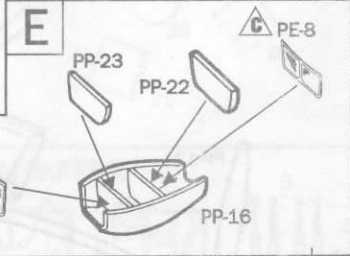
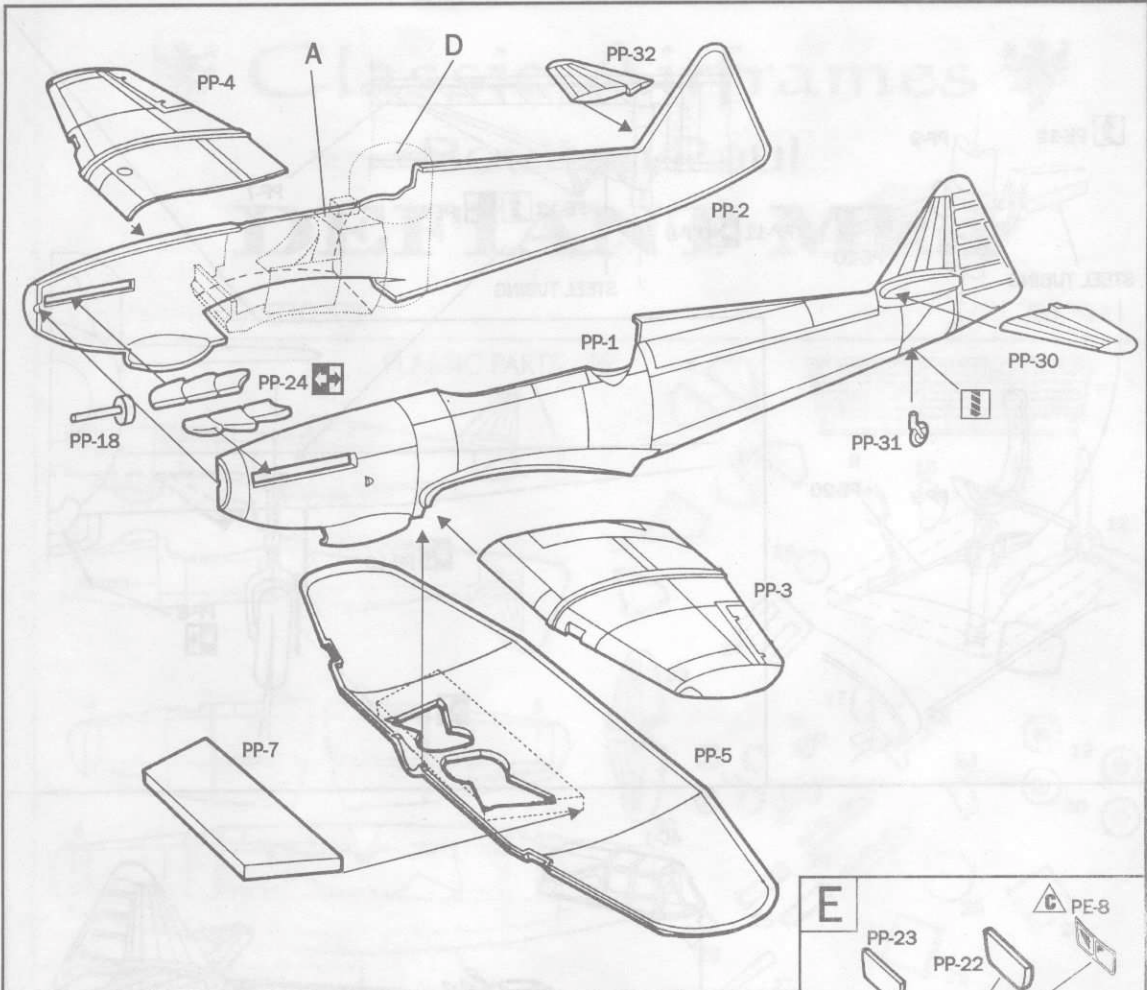
C
 COPPER
 CUIVRE
 KUPFER
 MĚD

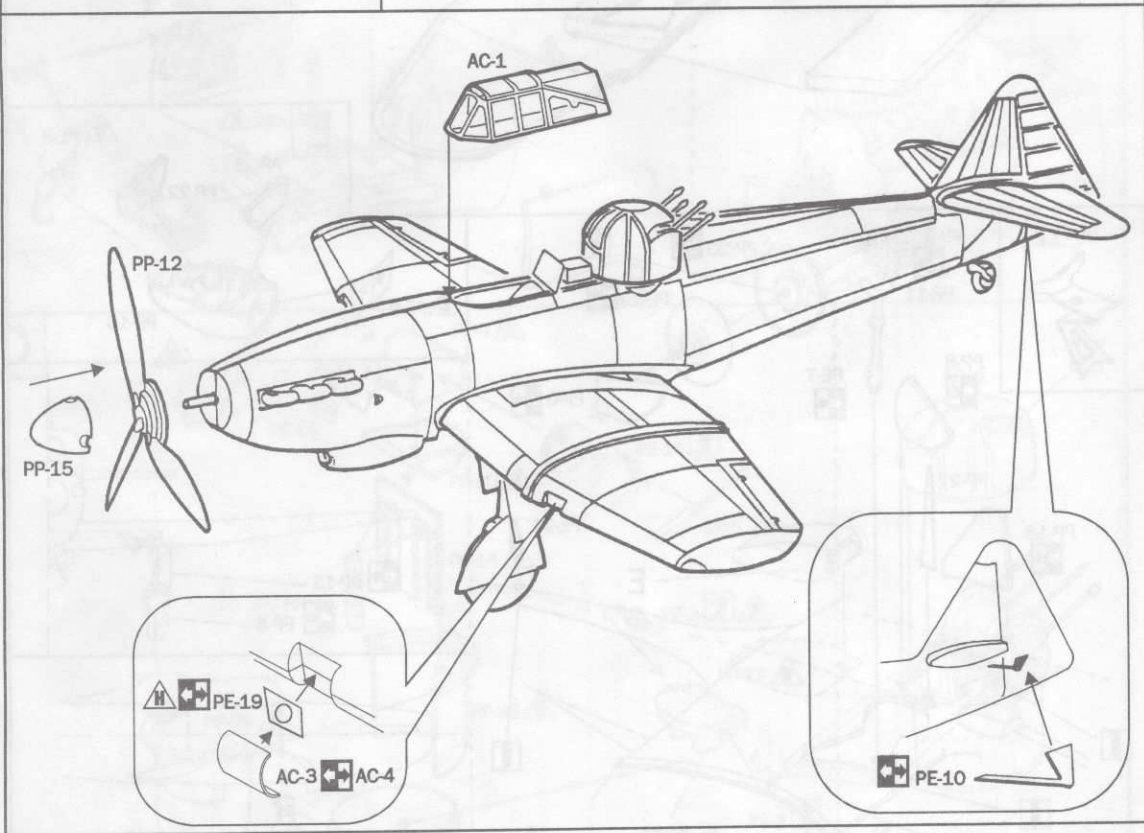
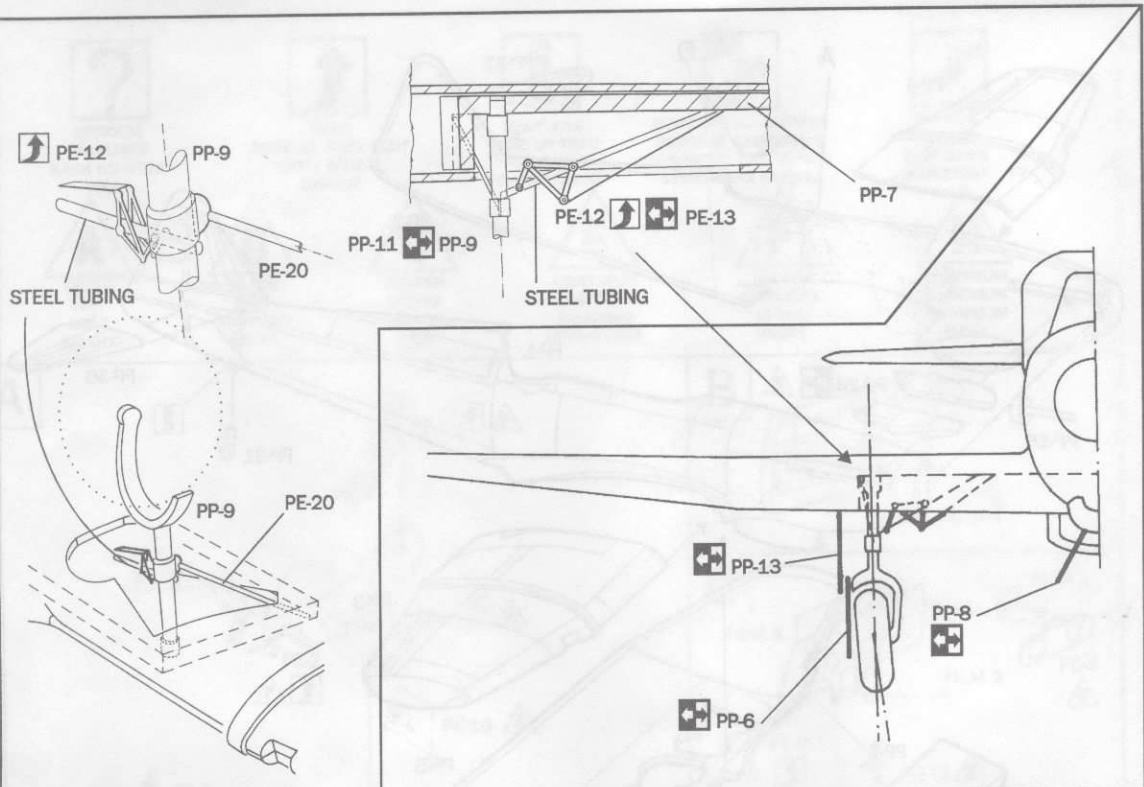
E
 LIGHT GRAY
 GRIS CLAIR
 HELLGRAU
 SVĚTLÉ ŠEDÁ

F
 BROWN
 BRUN BOIS
 BRAUN
 HNĚDÁ

H
 ALUMINIUM
 ALUMINIUM
 ALUMINIUM
 HLINÍK







BOULTON-PAUL DEFIANT

In 1935 the Air Ministry issued specifications outlining the requirements for a two-seat day and night fighter. The winner of this contract was Boulton-Paul Aircraft Ltd. The Defiant was born. It flew in mid-1937 when it also officially acquired its name.

It was to be until March 1940, that No. 264 Squadron became operational with the type. The unit quickly scored its first kill, a Ju-88, but when Bf-109's were encountered, Defiant losses mounted quickly. At times during the Dunkirk evacuation, good results were obtained, particularly when flying in mixed formations with Hurricanes, which it resembled in outline. The Luftwaffe however was not confused for very long.

In August 1940 the Defiant was withdrawn from daylight missions and employed primarily as a night fighter, in this role the Defiant fared much better and served well into 1942 until replaced by Beaufighters and Mosquitos.

The Defiant continued to serve in the air-sea rescue role and as a target tug right into the late war period.

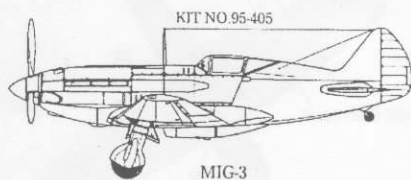
Technical data:	Power Plant	one 1030 h.p. Rolls-Royce Merlin III
	Armament	four 0.303 Browning machine guns in power operated turret
	Max. speed	304 m.p.h. at 17000 ft.
	Span	39' 4"
	Length	35' 4"
	Range	465 miles



Classic Airframes



NEXT RELEASE

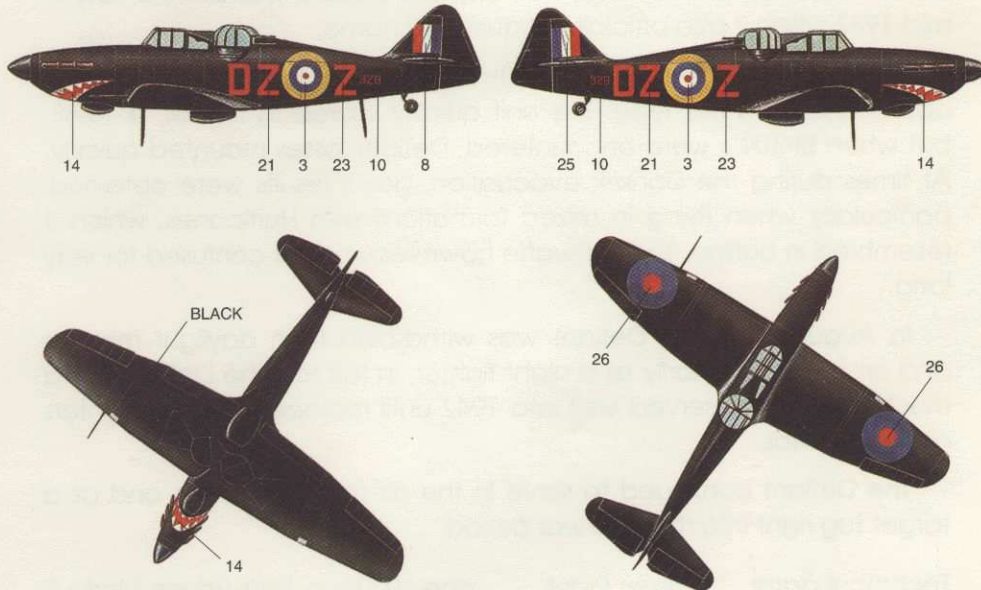


BOULTON-PAUL DEFIANT

PAINTING & MARKING GUIDE

95 404

A. Mk.I N3328, 151 Sqn., 1941



B. Mk.I N1535, 264 Sqn., mid-August 1940

