



KENWORTH CONVENTIONAL

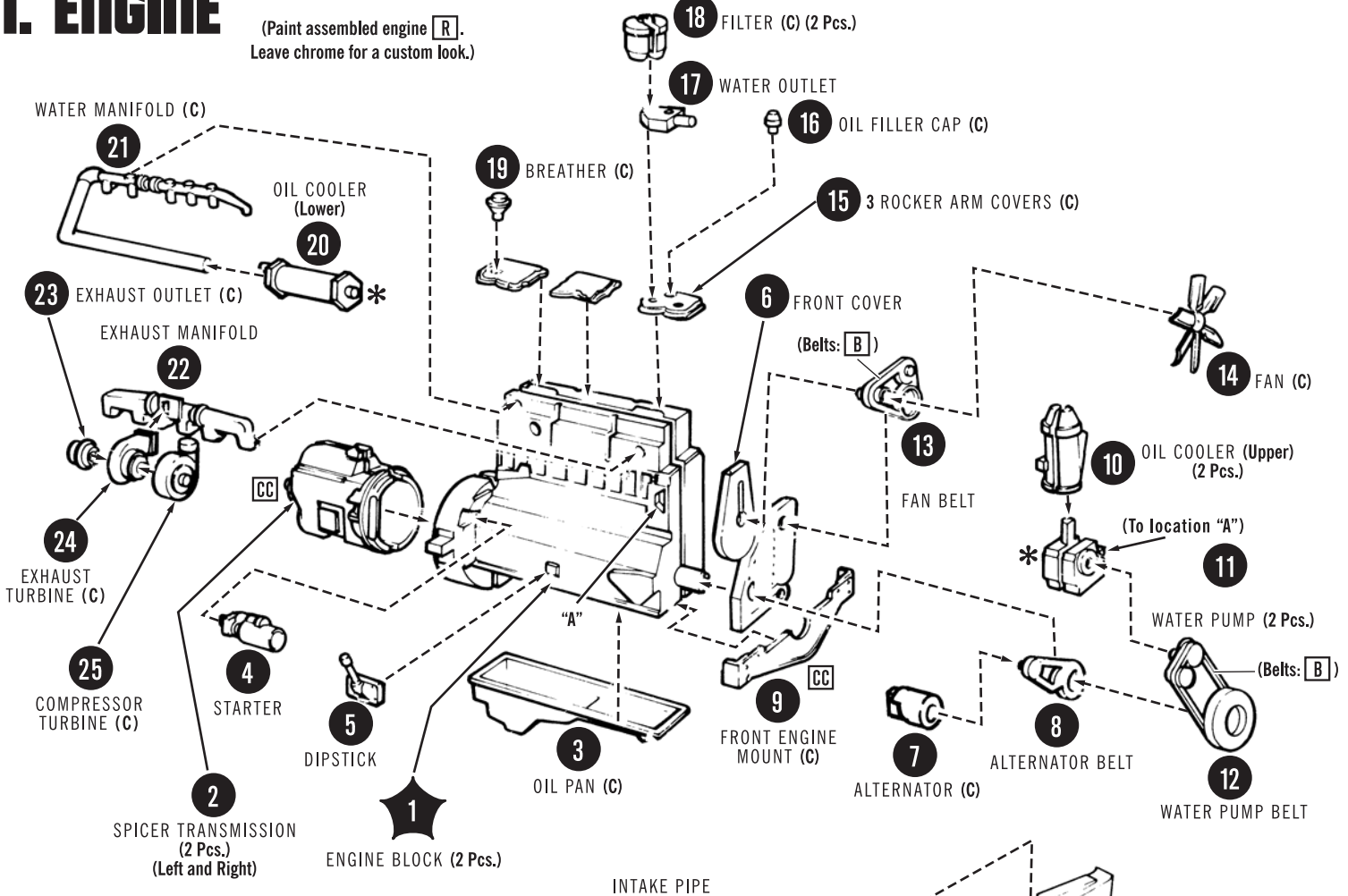


READ THIS BEFORE YOU BEGIN

Look over this instruction sheet carefully before you begin building. Follow the assembly instructions and "test-fit" the parts without cementing. This will familiarize you with the location of the parts.
For the best results, the various sub-assemblies and components should be painted before any "chrome" parts are attached. For example: When attaching "non-chrome" body accessories, it is best to cement them in place and paint the body as a unit.
AMT® kits are molded from the finest High-Impact Styrene plastic. Use

only paint and cement made for Styrene. Trim excess plastic from parts before joining. When attaching "chrome" parts, scrape plating away where parts are to be joined. Use just enough cement to join parts, and be careful not to smear cement on exposed surfaces.
Built according to the instructions on this sheet, you should have no trouble assembling your kit. Just FOLLOW THE NUMBERS, as parts are numbered in order of assembly. (C) INDICATES "CHROME" PARTS.

1. ENGINE



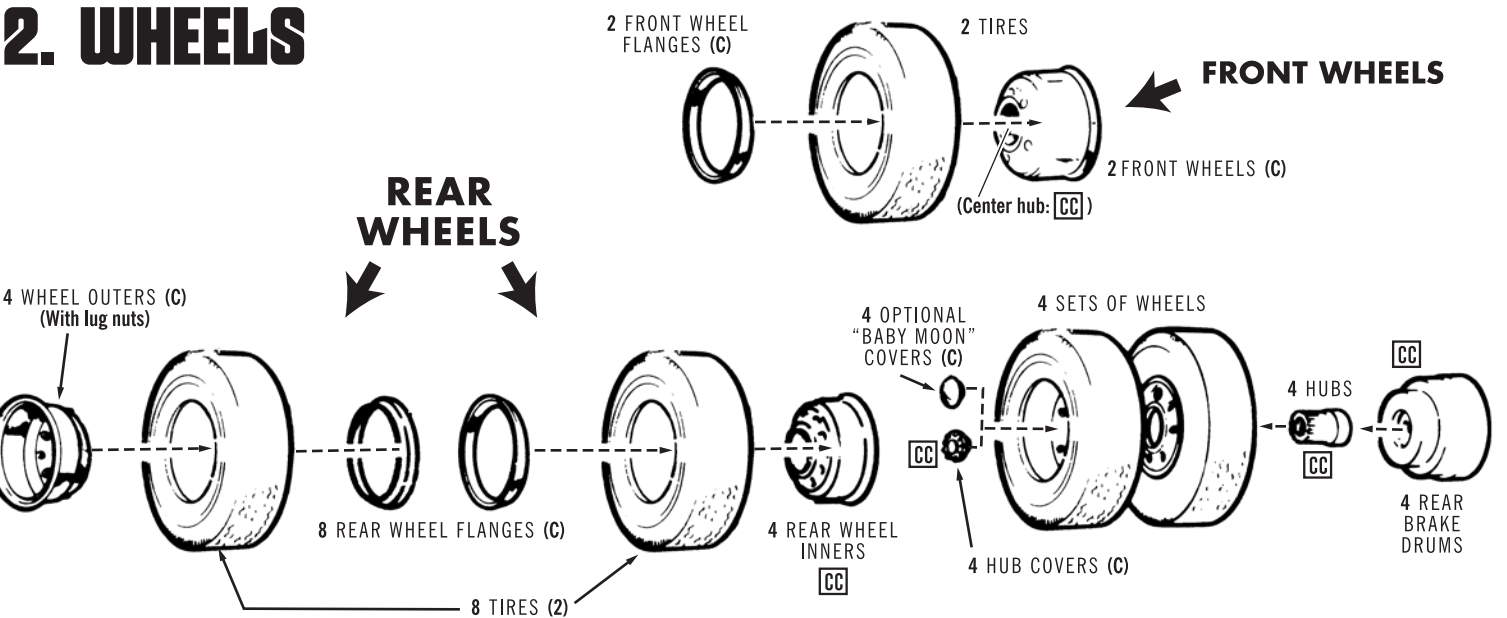
PAINT COLORS

A	Black	Q	Yellow
B	Flat Black	R	Tan
C	Semi-Gloss Black	S	Brown
D	White	T	Lt. Blue
E	Flat White	U	Med. Blue
F	Silver	V	Dark Blue
G	Chrome (Bright Silver)	W	Transparent Blue
H	Aluminum	X	Lt. Green
I	Steel	Y	Dark Green
J	Brass	Z	Gray
K	Gold	CC	Chassis Color
L	Amber	IC	Interior Color
M	Transparent Amber	BC	Body Color
N	Red	▲	Semi-Gloss
O	Transparent Red	△	Gloss
P	Orange	▲	Metallic

Color combinations are endless. Standard was one color on cab and one on chassis. It is recommended that you search the internet for additional color references and details.

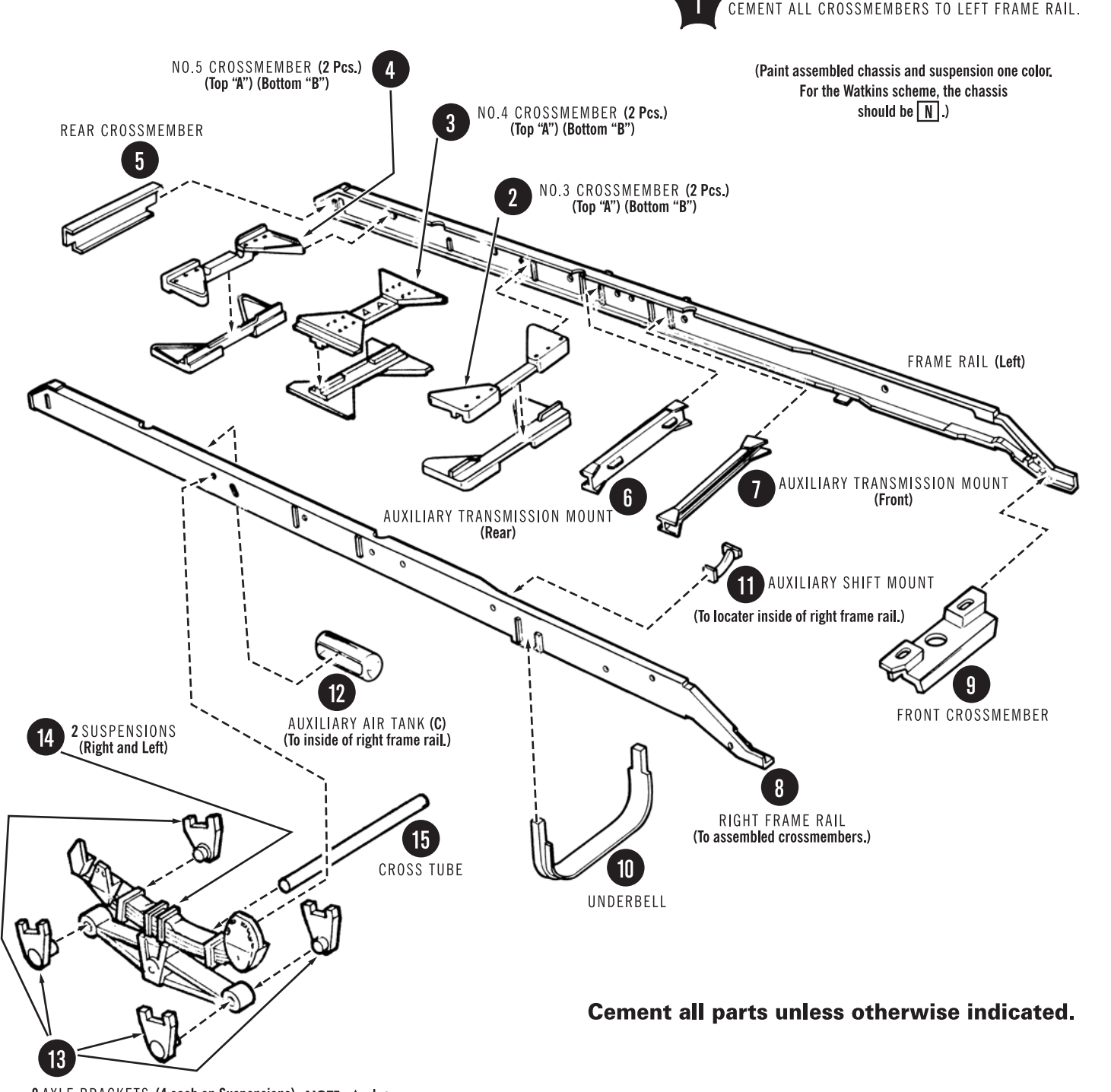
Cement all parts unless otherwise indicated.

2. WHEELS



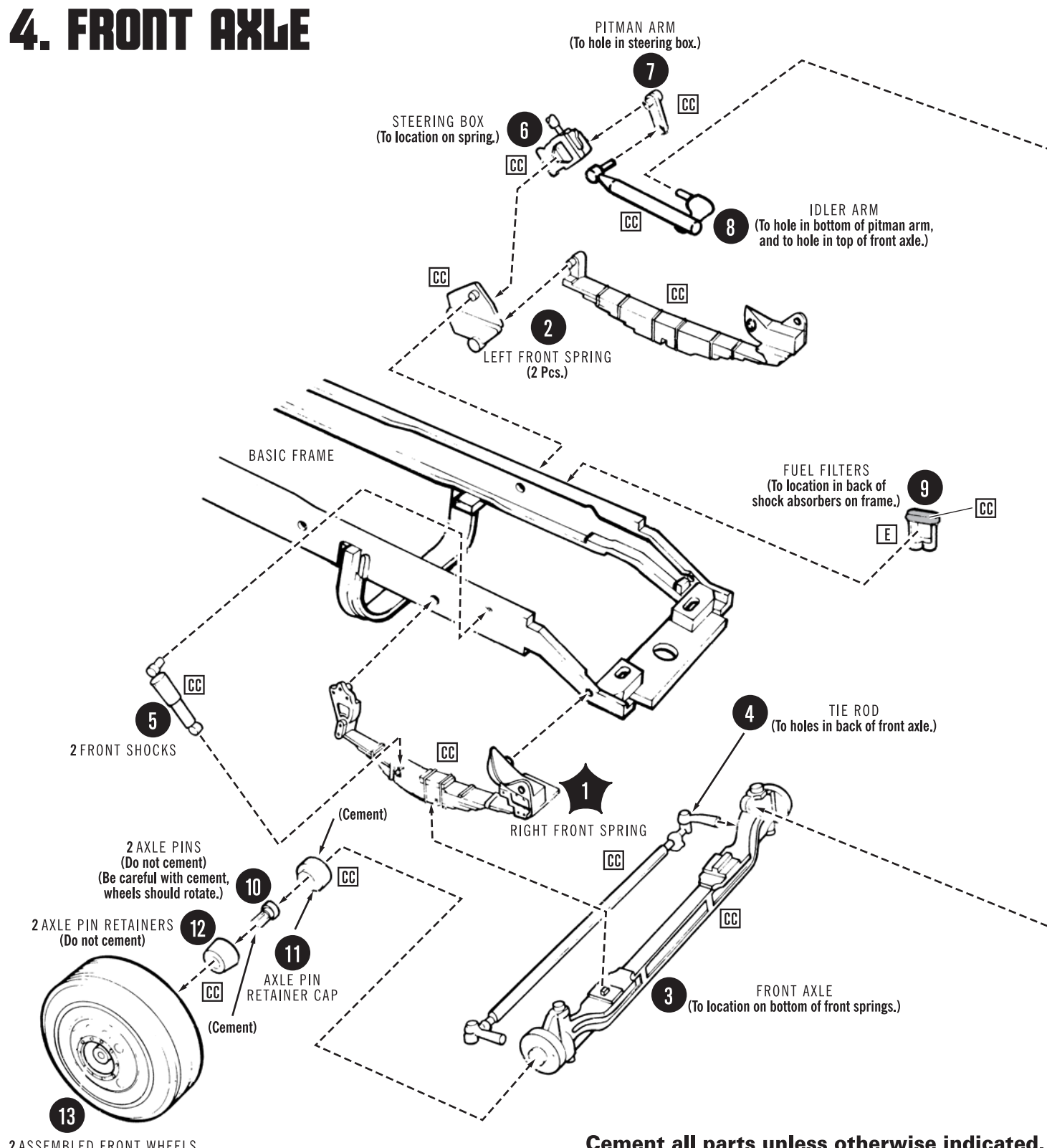
Cement all parts unless otherwise indicated.

3. BASIC CHASSIS



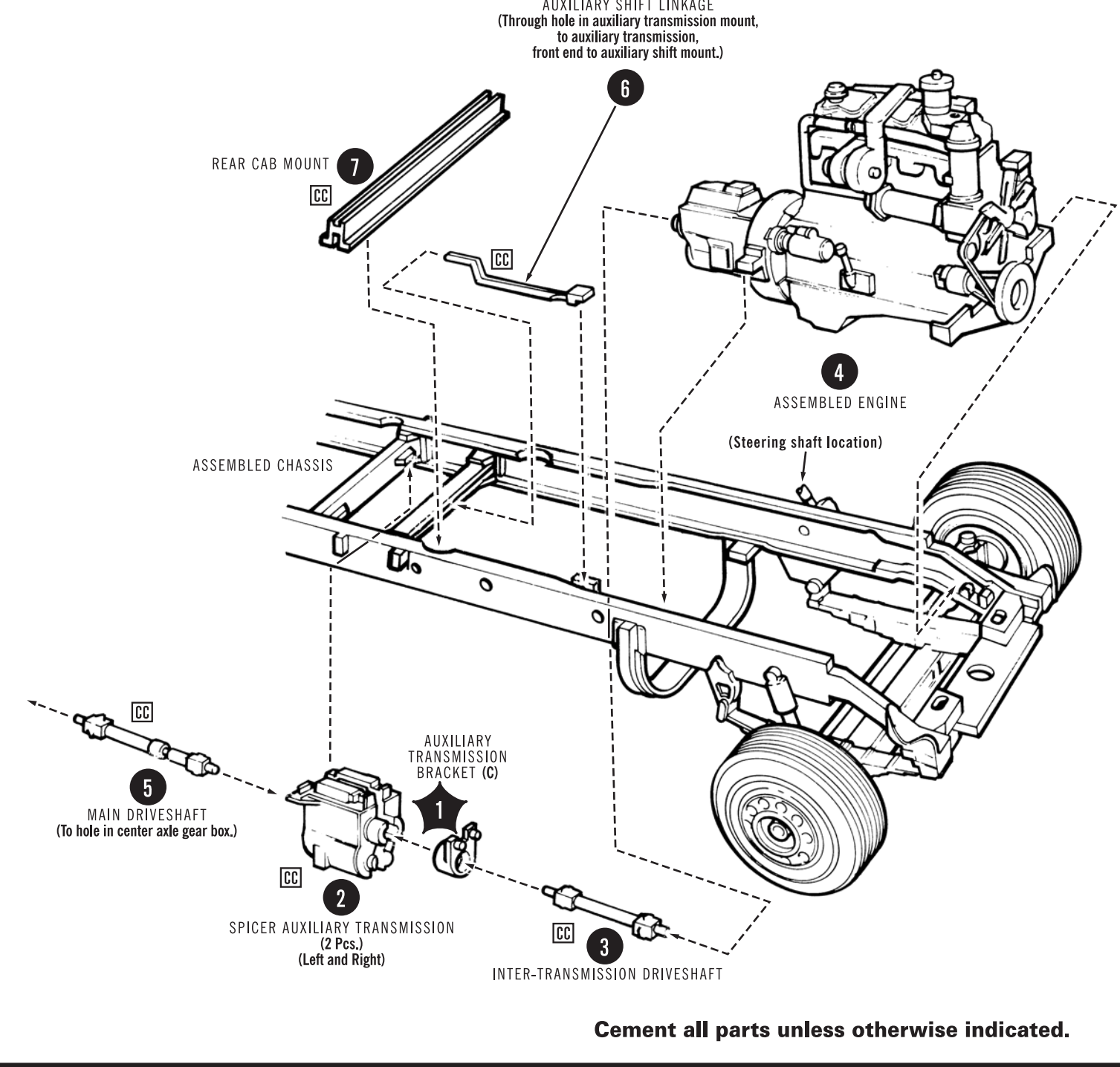
Cement all parts unless otherwise indicated.

4. FRONT AXLE



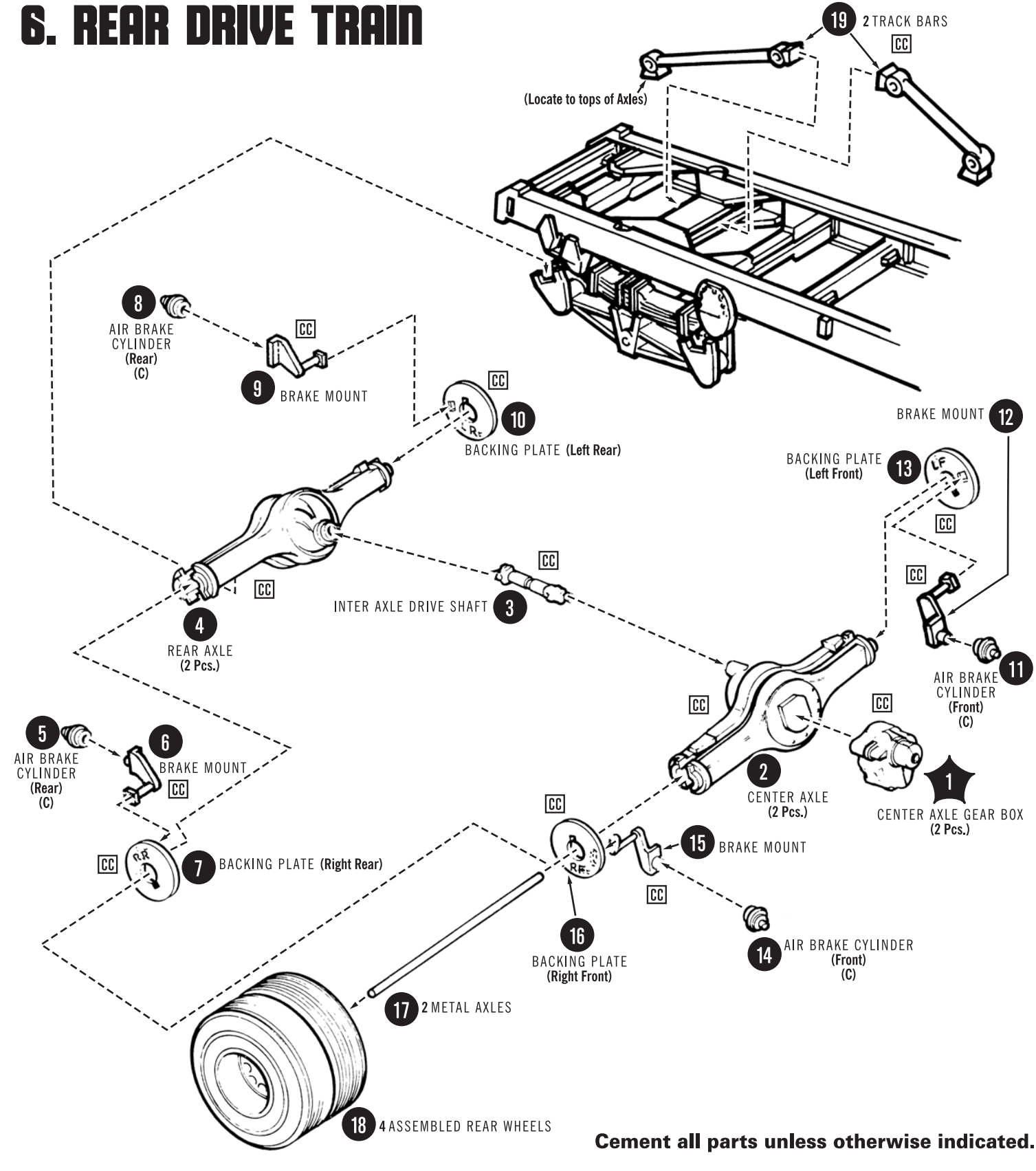
Cement all parts unless otherwise indicated.

5. ENGINE TO CHASSIS



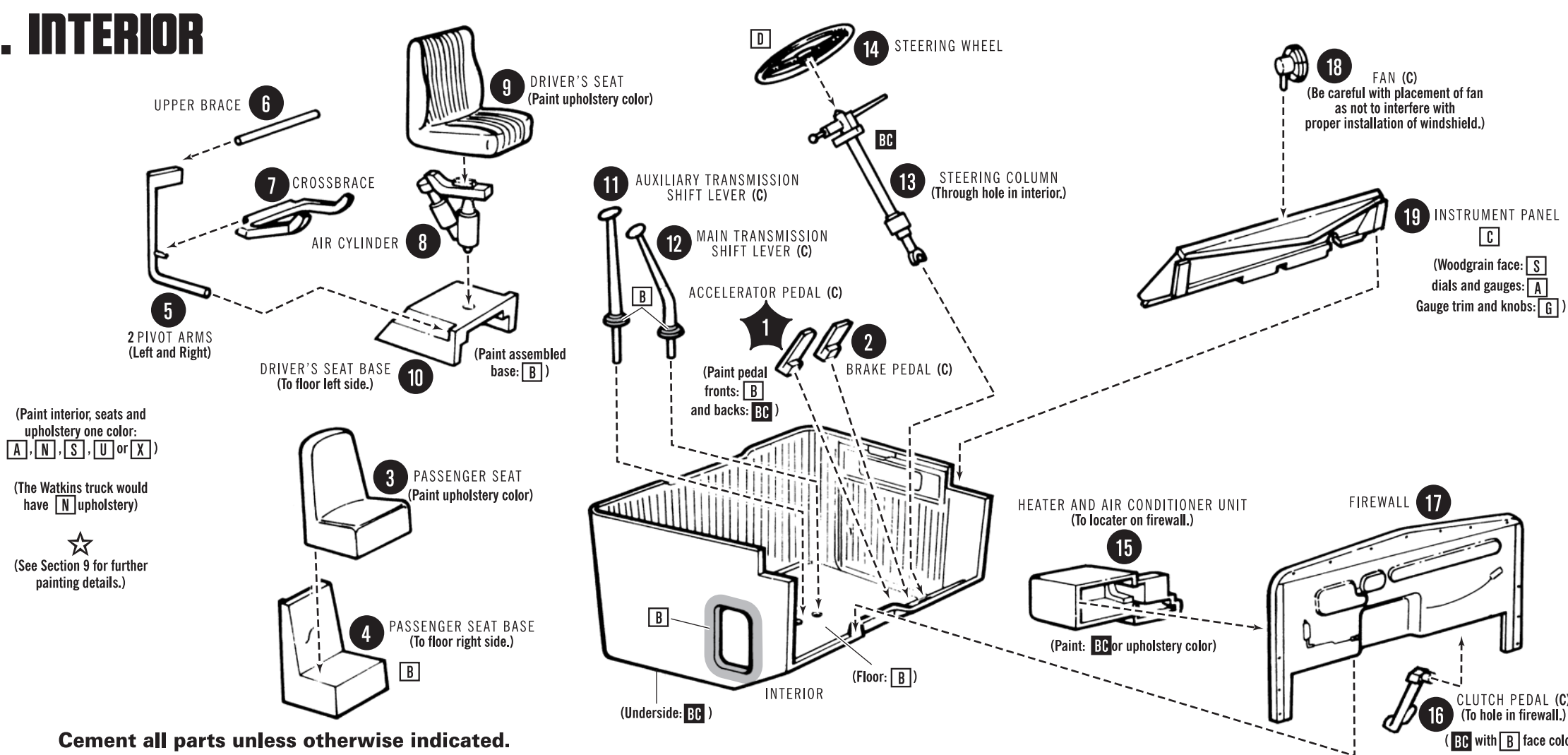
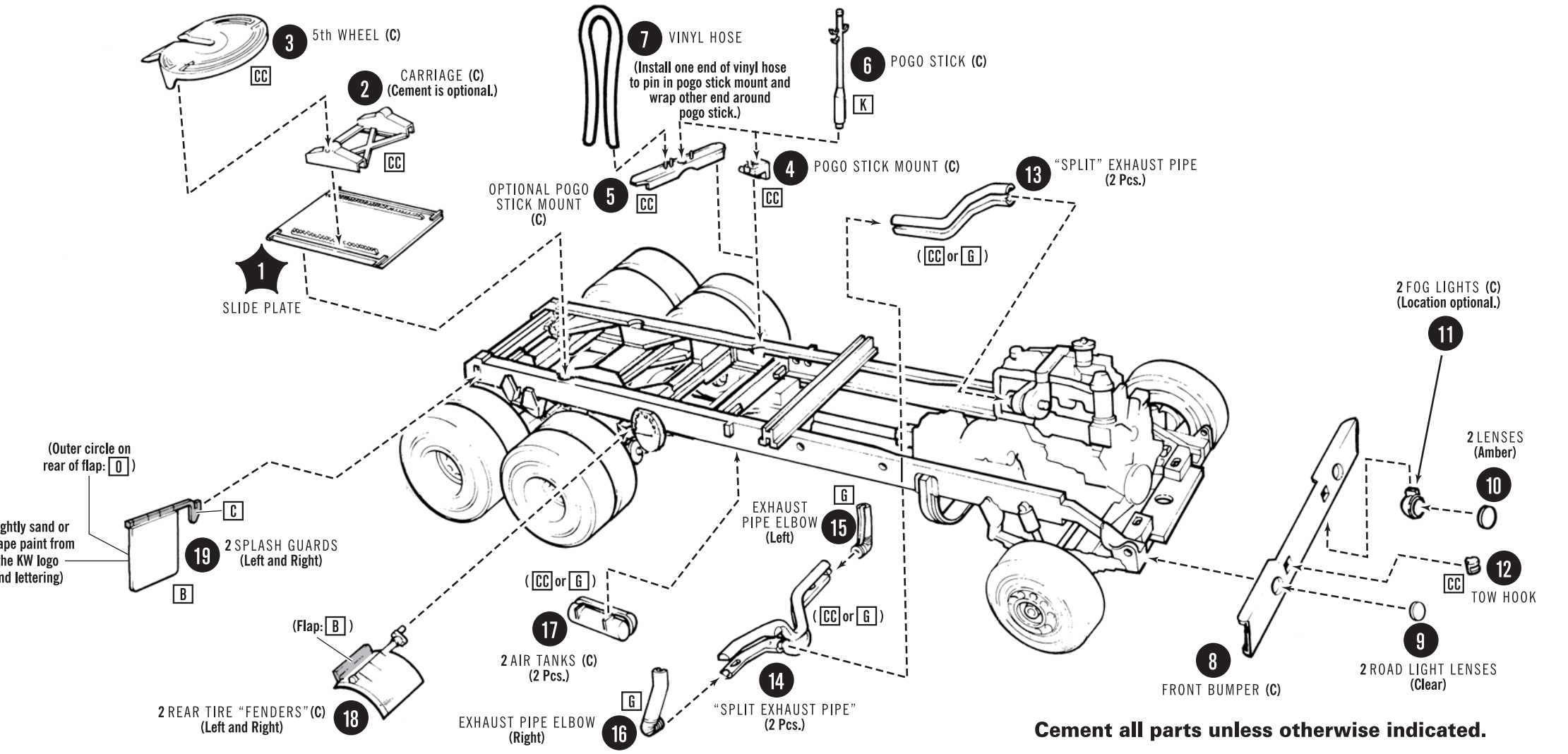
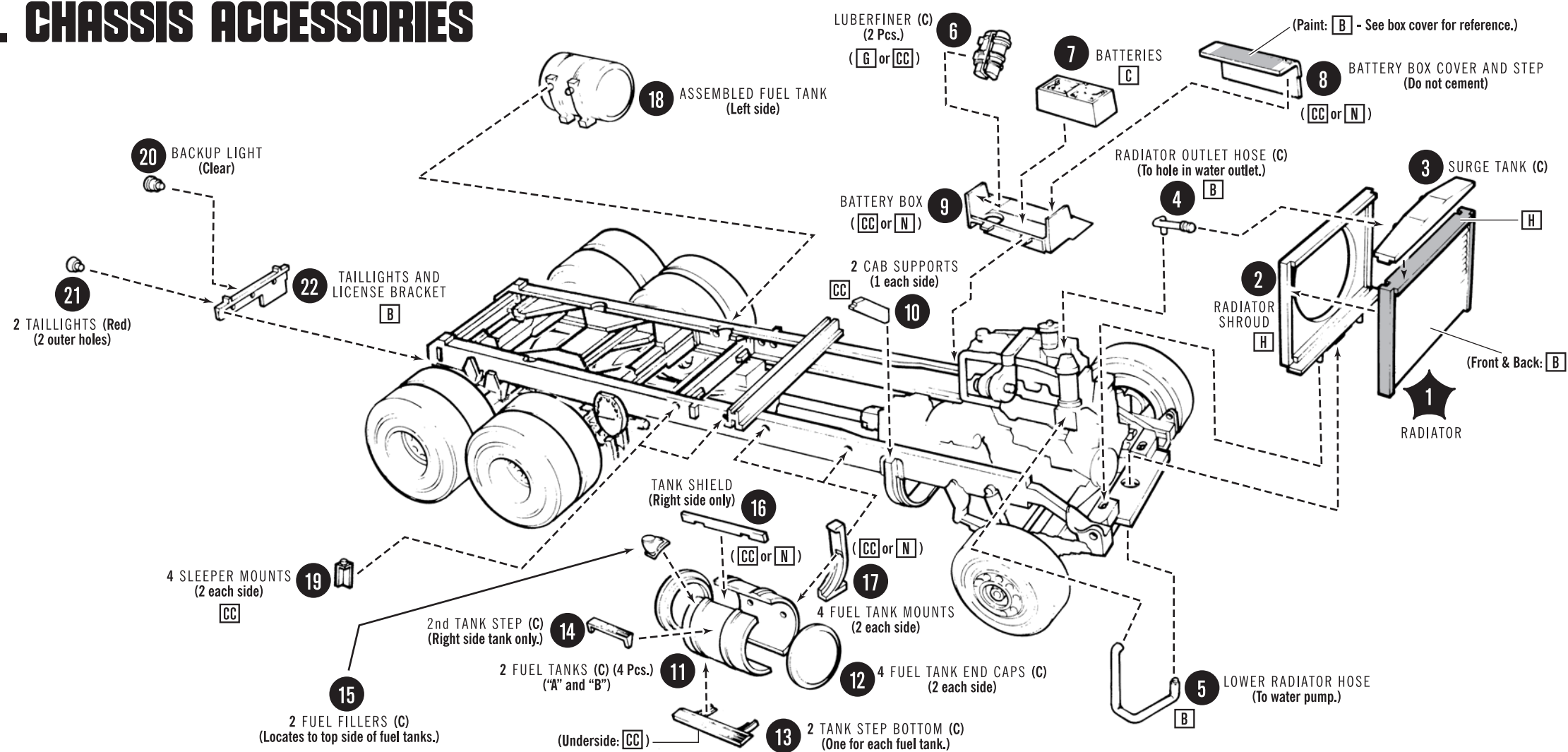
Cement all parts unless otherwise indicated.

6. REAR DRIVE TRAIN

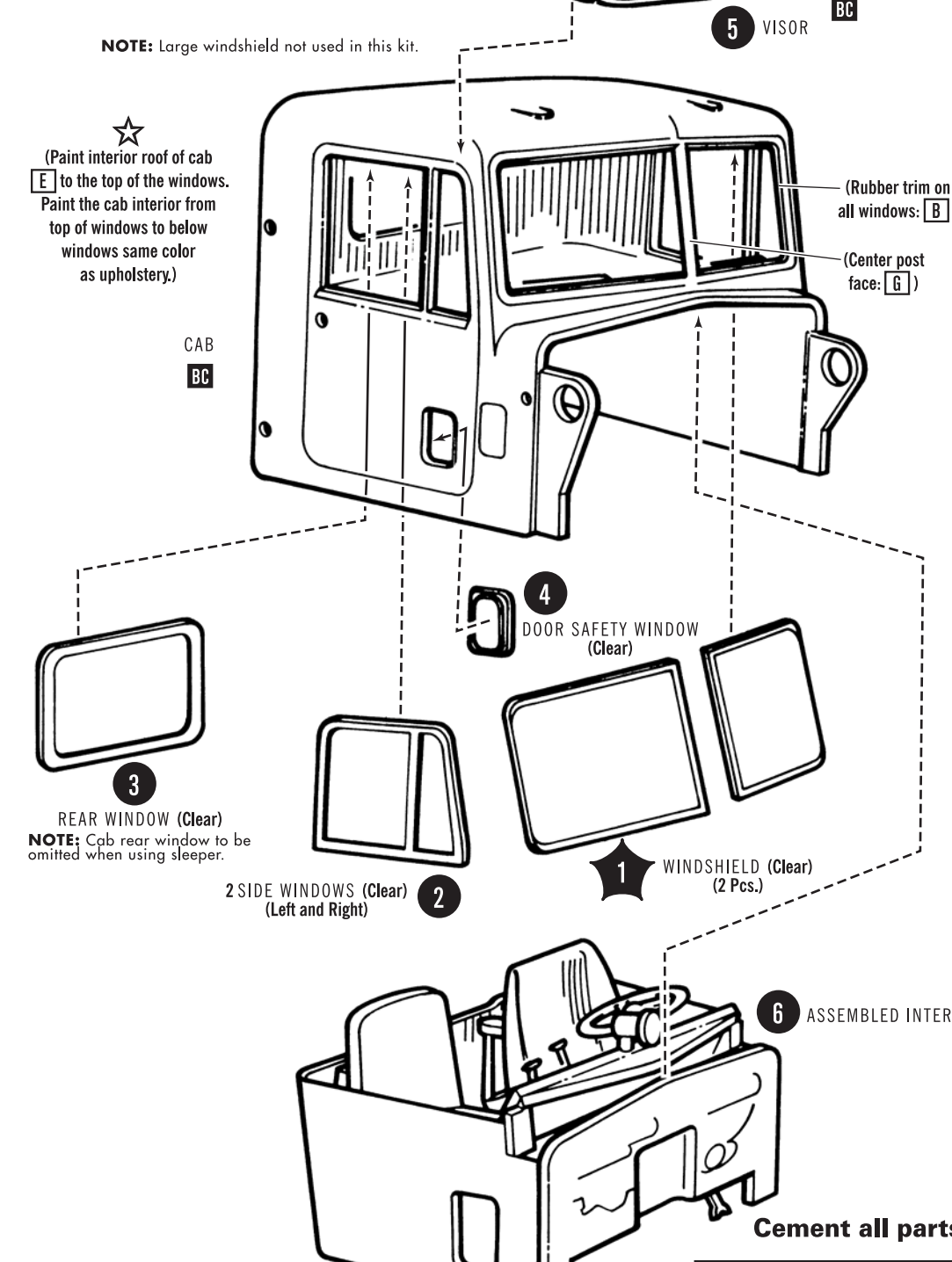


Cement all parts unless otherwise indicated.

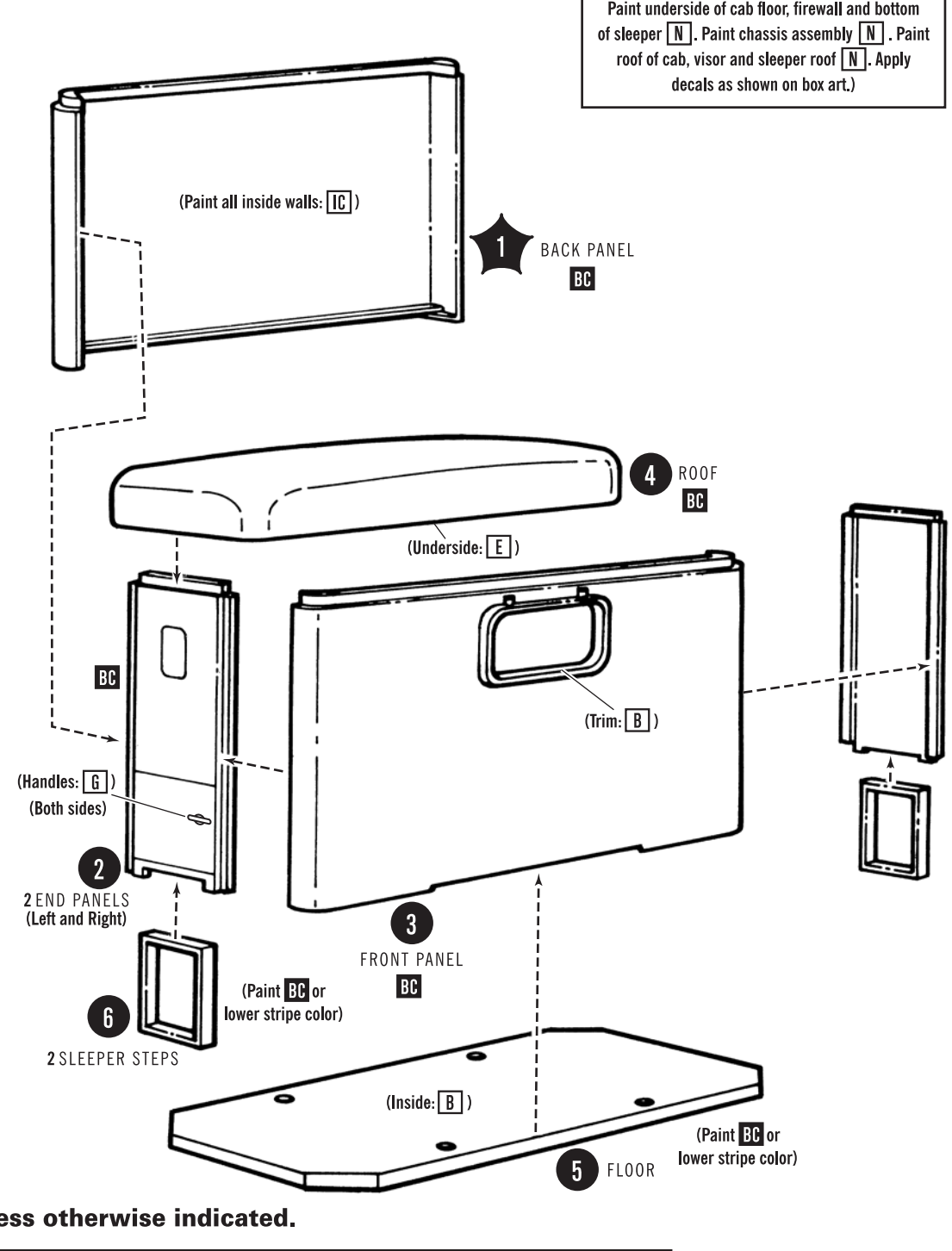
7. CHASSIS ACCESSORIES



9. WINDOWS INTERIOR TO CAB



10. SLEEPER OPTIONAL



WATKINS PAINT SCHEME

(Paint cab, hood and sleeper D)
 Paint underside of cab floor, firewall and bottom of sleeper N. Paint chassis assembly N. Paint roof of cab, visor and sleeper roof N. Apply decals as shown on box art.)

11. CAB ACCESSORIES CAB TO CHASSIS

