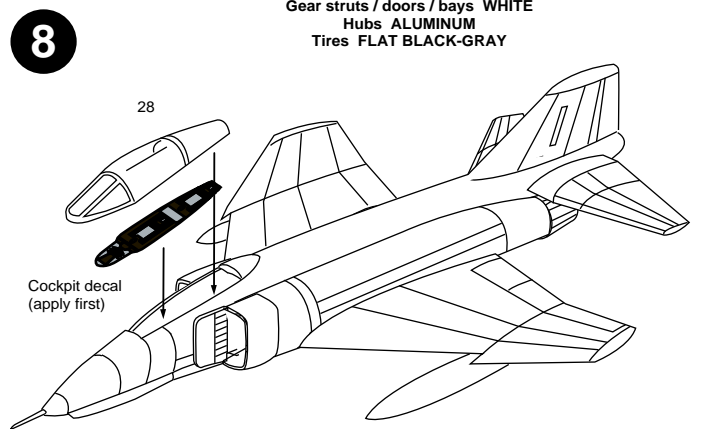
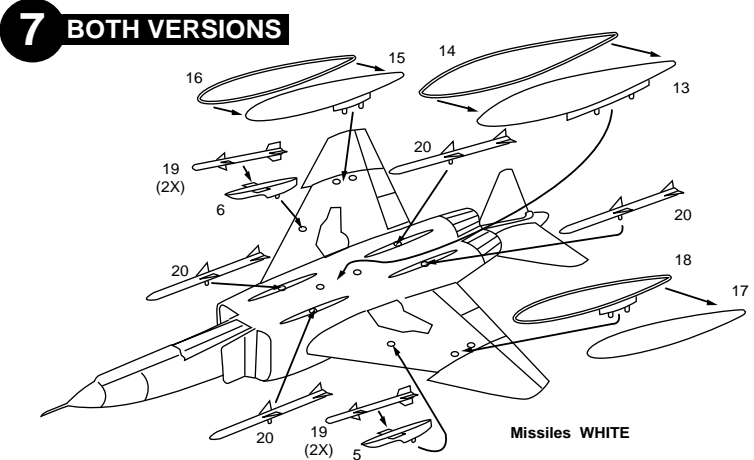
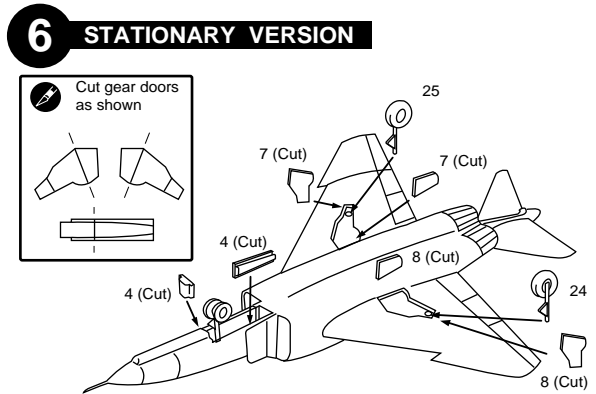
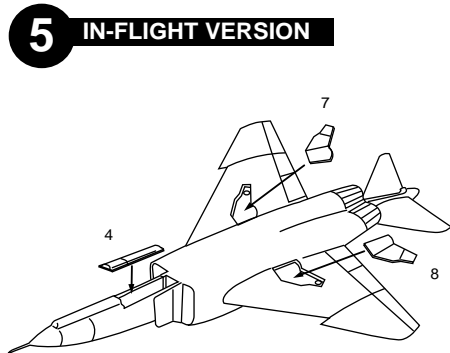
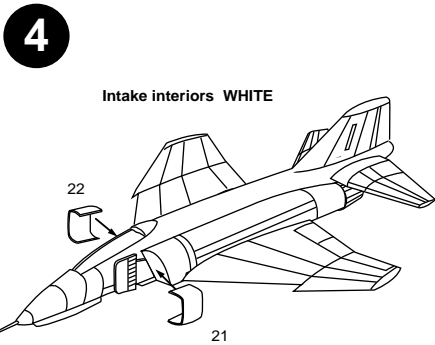
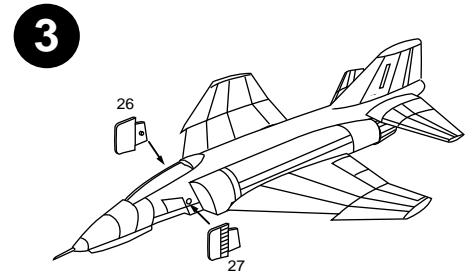
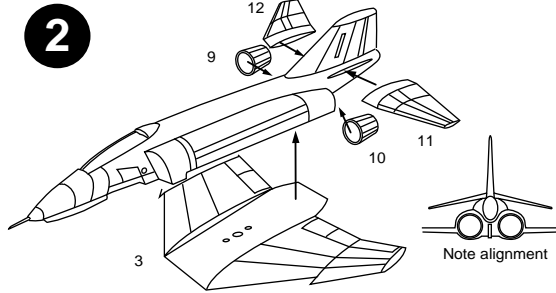
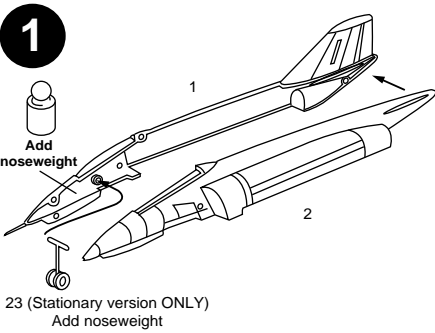
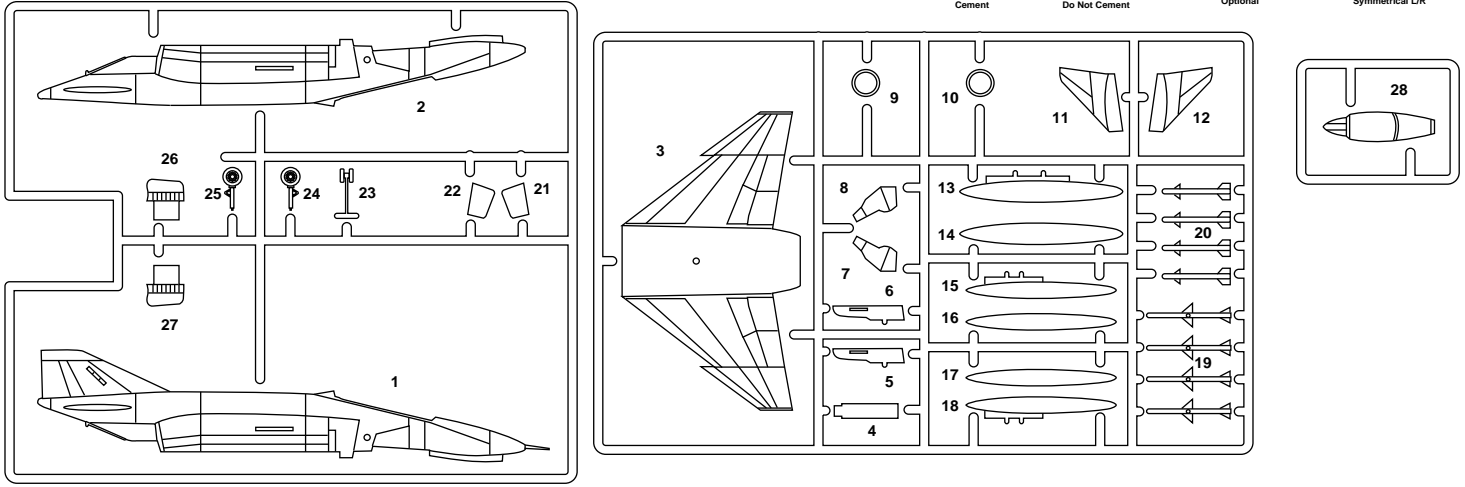
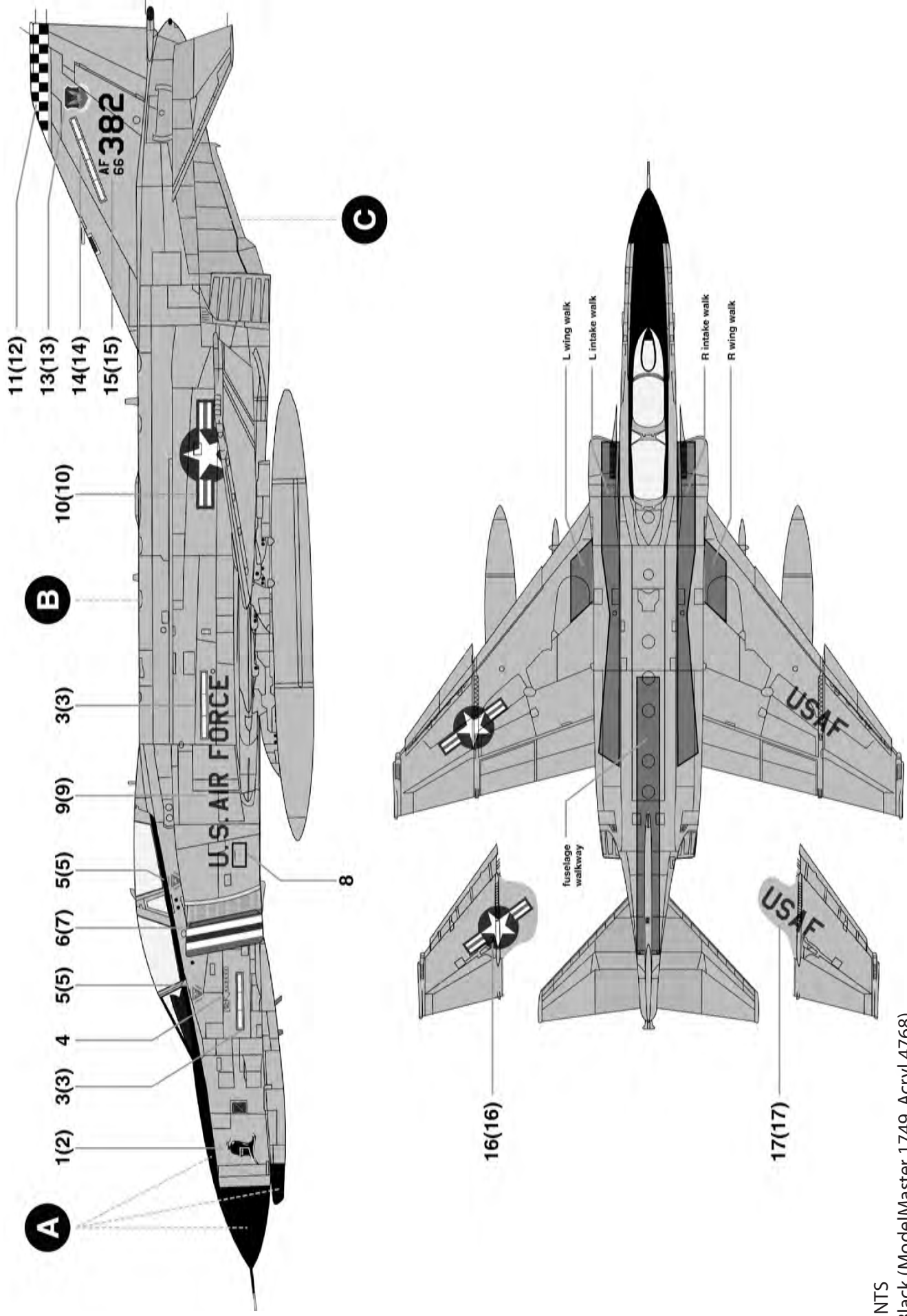


Your MINICRAFT F-4E includes optional parts for a 'stationary' or 'ground' version with extended landing gear, or 'in-flight' versions. Optional armament of Sparrow and Sidewinder missiles are provided, as well as optional drop tanks. Please review the assembly steps to become familiar with the parts before beginning assembly.

PARTS LAYOUT DIAGRAM



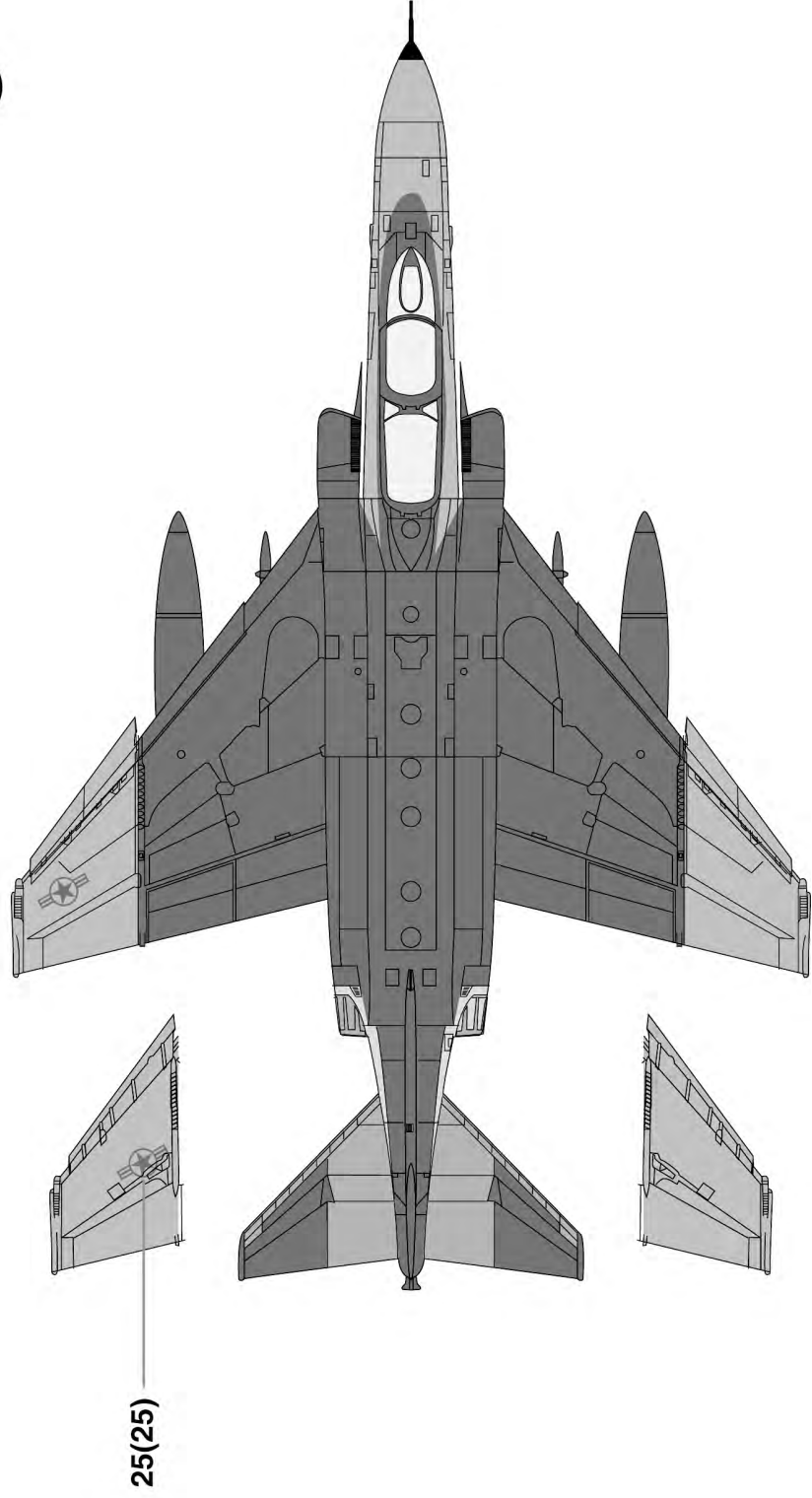
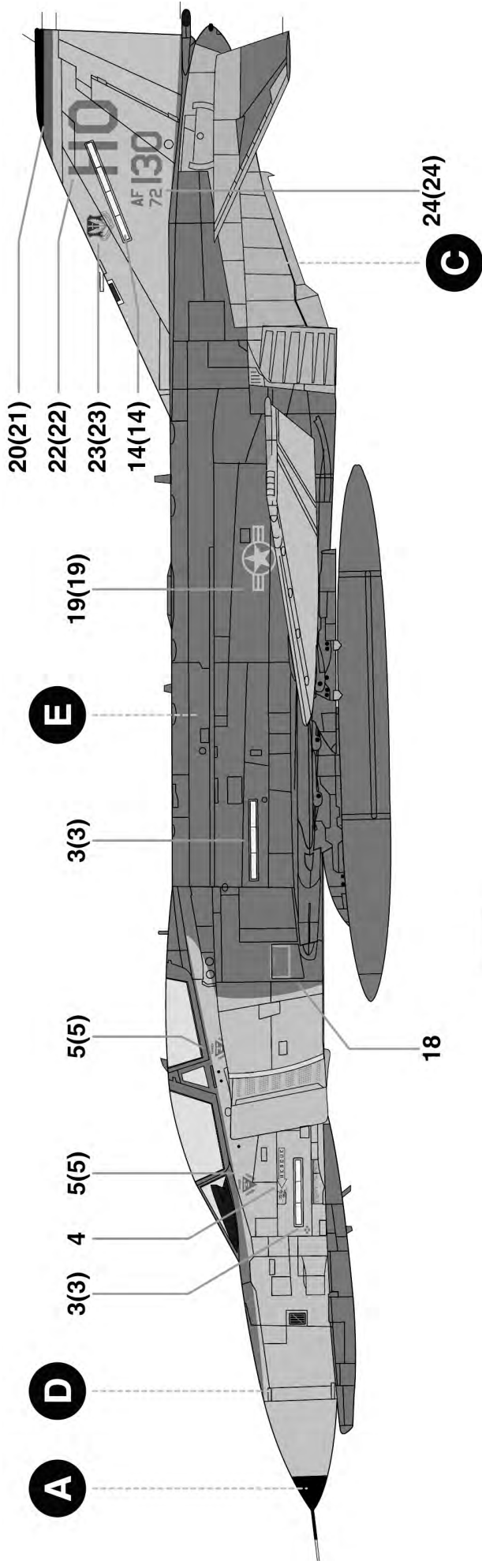
USAF F-4E, 57 FIS, Keflavik, Iceland, 1980



PAINTS

- A Black (ModelMaster 1749, Acryl 4768)
- B FS16473 ADC Gray (ModelMaster 1731, Acryl 4693)
- C Jet Exhaust (ModelMaster 1796, Acryl 4676)
- D FS36270 Neutral Gray (ModelMaster 1725, Acryl 4757)
- E FS36118 Gunship Gray (ModelMaster 1723, Acryl 4752)

German Luftwaffe F-4F, Holloman AFB, ca. 1995



Your Minicraft model includes high-quality waterside decals. These decals adhere best to a glossy surface; and it is recommended that you apply a clear gloss coat over your painted model.

Use a sharp scissors or knife to cut individual decals from the carrier sheet. Do not cut into the clear film surrounding the individual decals.

* It is recommended that you apply one decal at a time.

* Place the decal section in warm water, when first inserted in the water your decal will curl, after approximately ten seconds the decal will uncurl. Remove from water and lay on a paper towel. After approximately 10 - 20 seconds the decal will slide freely from the backing paper. Use a small brush to help slide the decal from the backing paper and into position on the model. Carefully blot excess water from the decal, using care not to move the decal or tear it.

* If you choose to use a setting solution, apply a thin coat over the decal following the manufacturer's instruction.

* Allow the decal to dry overnight. Wash any adhesive residue off the model with a small amount of clean water and dry thoroughly.

* Apply clear gloss, matte or flat coat to seal decals following the instructions from the manufacturer.



Visit our Website-
www.minicraftmodels.com

Minicraft Models (US) LLC
1501 Commerce Drive
Elgin, IL 60123
Phone: 847-429-9676