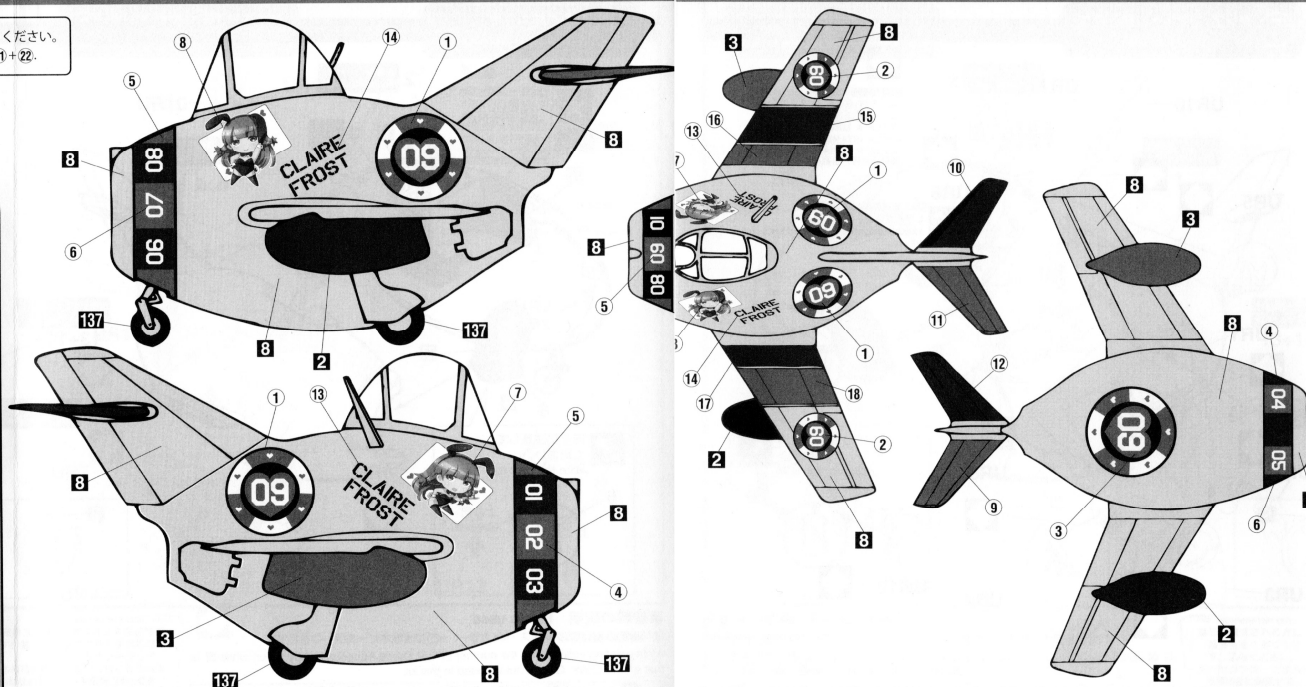


Marking and Painting
マーキングと塗装説明図

● 目のデカールは、19+20か21+22の組み合わせにしてください。
The eye decal should be a combination of 19 + 20 or 21 + 22.



● フィギュアの塗装はパッケージイラストも参照してください。
● Paint of figures, please also see the box art.
● 衣服は80(フラットベース)を混ぜると、より質感が増します。
● Mixing 80 (FLAT BASE) increases the texture of clothes more.



■ デカールのじょうずな貼り方 Correct Method for Applying Decals



- 貼りたいデカールを台紙ごとハサミで切り取り、1枚ずつ水またはぬるま湯に台紙を下にして20秒くらい浮かべます。
- Cut each design out of decal sheet and dip them in warm water for 20 seconds.
- 水から出したらタオルの上のせ、指先でデカールが動かか確かめた後、貼る場所において静かに台紙をずらします。
- Check with finger tip if design is loose on base paper. If so, place it or proper position on model and slide off base paper leaving design on model.

- デカールを貼るところのほこりや汚れを、ぬらした布できれいにふきとってください。
- Clean model surface with wet cloth.

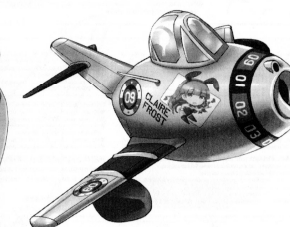


- 指先に少し水をつけて正確な位置にデカールを動かした後で、やわらかく、よく水を吸う布でデカールを押さえて内側の水分や気泡を押し出します。
- Move design to exact position with wet finger tip, and push out excess water and air bubbles under decal with soft cotton cloth.
- デカールが完全に乾いたら少し水をつけた布で、デカールのまわりのノリをふきとります。
- When decals get dry, wipe off with wet cloth excess glue left around decals.

© PRINTED IN JAPAN. 2019.04 (N) HTR

Egg Girls Collection
たまごガールズコレクション

No. 09



A
1/20
レジジンキット
Resin Kit

Claire Frost (BUNNY GIRL)

“クリアフロスト”
(バニーガール)
w/ミグ15
MIKOYAN-15

SP405

Hobby kits

このキットには接着剤は入っていませんので別にお求めください。

■レジン部品の洗浄及び下地処理について Cleaning and Preparing Resin Parts for Use

- レジン部品は塗装上よりむくみやすくなります。小さいものは指で軽くこすって、大きいものはワイヤブラシでこすります。
- Resin parts will sometimes contain unwanted bubbles. For any small holes, rub with your finger. For larger holes, use a wire brush.
- ワイヤブラシで表面を磨きます。
- Smooth surface using fine grit sandpapers when putty or CA is used.
- 各樹脂部品は専用のワイヤブラシを使用します。細かい凹凸の部分はワイヤブラシを使って丁寧に洗浄します。
- Use a fine-grit sandpaper to smooth parts using tooth brush to get into crevices and indentations, to remove any mold release agent residue or oil.
- 各樹脂部品に油漬しよ。乾燥させてから表面の樹脂を柔らかい布で拭き、顔料を洗い、乾かすうちに顔料を洗い落とす。
- Wipe each resin part with a soft cloth and a few drops of thinner.
- 乾燥後十分に表面を専用プライマーを塗ります。
- Parts should be primed within 30 minutes of degreasing with thinner, using any good primer.

- 塗料で汚れる前はよく洗い、乾かす必要はありません。乾燥後に塗料を塗ります。
- DO NOT USE HOT WATER WHEN WASHING PARTS. Straighten the resin parts by softening the part in HOT WATER.
- 大きなレジン部品はワイヤブラシでこすります。細かい凹凸の部分はワイヤブラシを使って丁寧に洗浄します。
- Use a wire brush to clean resin parts. Use a fine-grit sandpaper to smooth parts using tooth brush to get into crevices and indentations, to remove any mold release agent residue or oil.
- レジン部品の油漬しよ。乾燥させてから表面の樹脂を柔らかい布で拭き、顔料を洗い、乾かすうちに顔料を洗い落とす。
- Wipe each resin part with a soft cloth and a few drops of thinner.
- 乾燥後十分に表面を専用プライマーを塗ります。
- Parts should be primed within 30 minutes of degreasing with thinner, using any good primer.

ATTENZIONE: IL PRODOTTO NE CONTIENE PIU' A UN ENFANT DE MOINS DE 3 ANS. EN raison des petites pieces de plastique contenues.

ATTENZIONE: PRODOTTO NON ADATTO AI BAMBINI DI ETA' SUPERIORE AI 3 ANNI. CONTIENE PICCOLI PEZZI DI PLASTICO.

ATTENÇÃO: NÃO É COBERTO PARA MENORES DE 3 ANOS. CONTIEM PEÇAS PEQUENAS.

- VOR BEI ZUSAMMENBAU ZU LESEN. Bitte lesen Sie die Anweisung vor dem Zusammenbau sorgfältig durch. Beachten Sie die Warnhinweise und die Anweisungen zum Umgang mit Klebstoffen und Lacken. Beachten Sie die Anweisungen zum Umgang mit dem Modellierkleber. Beachten Sie die Anweisungen zum Umgang mit dem Modellierkleber. Beachten Sie die Anweisungen zum Umgang mit dem Modellierkleber.
- Lire CEEI AVANT D'EXÉCUTER LE MONTAGE. Veuillez attentivement les instructions avant le montage. Attention aux avertissements et aux conseils d'utilisation pour les enfants. Attention aux avertissements et aux conseils d'utilisation pour les enfants. Attention aux avertissements et aux conseils d'utilisation pour les enfants.
- LEGGERE QUESTO PRIMA DEL MONTAGGIO. Leggere attentamente le istruzioni prima del montaggio. Prestare attenzione ai avvisi e ai consigli d'uso. Prestare attenzione ai avvisi e ai consigli d'uso. Prestare attenzione ai avvisi e ai consigli d'uso.

- WARNINGS - FUNCTIONAL SHARP POINTS. Attention: Functional sharp points. Attention: Functional sharp points. Attention: Functional sharp points.
- ATTENZIONE: PARTI MOLTO ACUMINATE. "AVVISO": PARTI AGUZZE EN FUNZIONAMENTO. "AVVISO": PARTI AGUZZE EN FUNZIONAMENTO.

注意 CAUTION

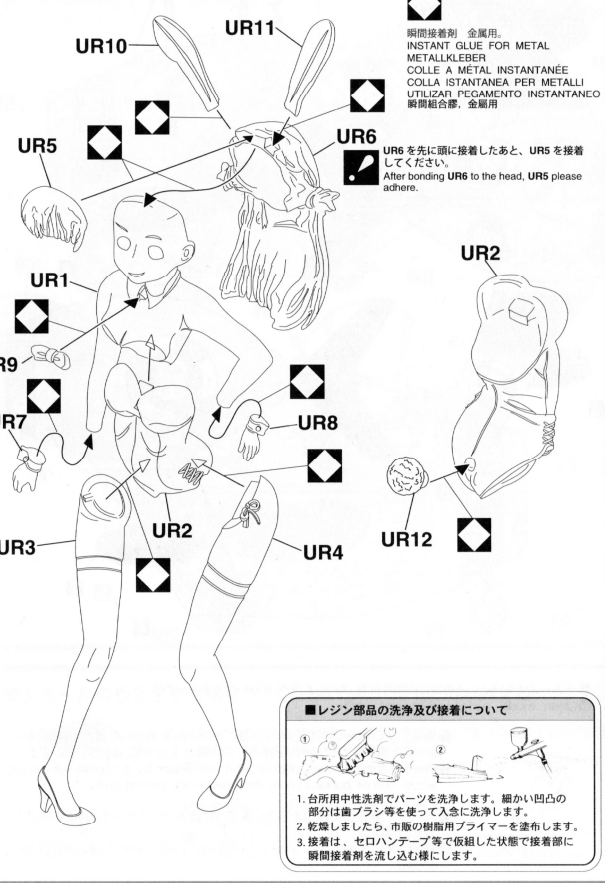
*組み立てる前に必ずお読みください。
*12才以下の方が組み立てる時は、保護者もお読みください。

1. THIS BEING AN ASSEMBLY KIT, READ THE INSTRUCTIONS BEFORE ASSEMBLING.
2. TEAR UP AND THROW AWAY THE PLASTIC BAGS CONTAINING KIT PARTS AS CHILDREN MAY SUFFOCATE BY SWALLOWING OR WEARING OVER HEAD.
3. CUT THE PARTS OFF PROPERLY AND THROW THE WASTE PARTS INTO DUSTBIN AT ONCE.
4. DO NOT PLAY WITH THE PARTS FOR ANY OTHER PURPOSE AS SOME PARTS MAY BE TOO SHARP. MORE CAUTION AND CARE NEEDED FOR FAMILIES WITH INFANTS.
5. DO NOT SWALLOW ANY PARTS AND CUT-OFF CHIPS. KEEP AWAY FROM MOUTH OF CHILDREN.
6. WRONG OR CARELESS USAGE OF NIPPER, CUTTER, FILE ETC. MAY HURT THE ASSEMBLER.
7. BE CAUTIONS AS FOLLOWS WHEN USING ADHESIVES AND/OR PAINTS:
 - *DO NOT USE IN CLOSED ROOM TO AVOID POISONING/TOXIC.
 - *DO NOT USE NEAR FIRE TO AVOID FLAMMABILITY.
 - *DO NOT PUT ANY ADHESIVES AND/OR PAINTS INTO MOUTH AND EYE. IF MISTAKENLY PUT INTO, WASH OUT PROMPTLY WITH FULL WATER AND CONSULT A DOCTOR.
8. USE TOOLING, ADHESIVES, PAINTS, BATTERIES ETC. PROPERLY AFTER CAREFUL READING OF INSTRUCTIONS GIVEN IN EACH HANDLING MANUAL.

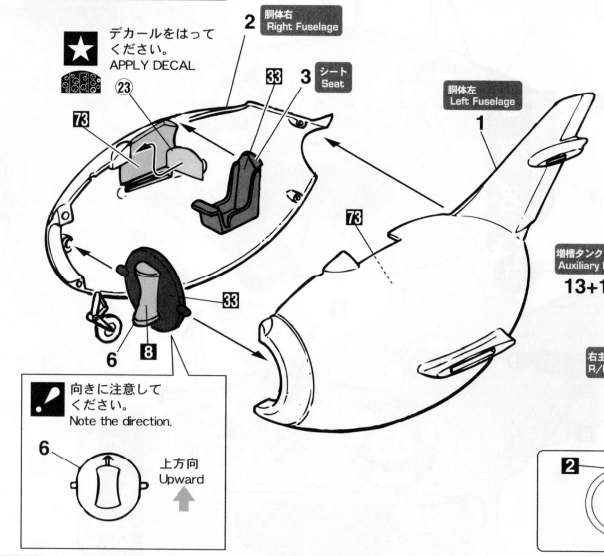
*MAKE SURE TO READ INSTRUCTIONS LISTED BELOW BEFORE ASSEMBLING.
*ADULT SUPERVISOR SHOULD ALSO READ INSTRUCTIONS WHEN ASSEMBLED BY CHILDREN AGED 12 OR YOUNGER.

1. THIS BEING AN ASSEMBLY KIT, READ THE INSTRUCTIONS BEFORE ASSEMBLING.
2. TEAR UP AND THROW AWAY THE PLASTIC BAGS CONTAINING KIT PARTS AS CHILDREN MAY SUFFOCATE BY SWALLOWING OR WEARING OVER HEAD.
3. CUT THE PARTS OFF PROPERLY AND THROW THE WASTE PARTS INTO DUSTBIN AT ONCE.
4. DO NOT PLAY WITH THE PARTS FOR ANY OTHER PURPOSE AS SOME PARTS MAY BE TOO SHARP. MORE CAUTION AND CARE NEEDED FOR FAMILIES WITH INFANTS.
5. DO NOT SWALLOW ANY PARTS AND CUT-OFF CHIPS. KEEP AWAY FROM MOUTH OF CHILDREN.
6. WRONG OR CARELESS USAGE OF NIPPER, CUTTER, FILE ETC. MAY HURT THE ASSEMBLER.
7. BE CAUTIONS AS FOLLOWS WHEN USING ADHESIVES AND/OR PAINTS:
 - *DO NOT USE IN CLOSED ROOM TO AVOID POISONING/TOXIC.
 - *DO NOT USE NEAR FIRE TO AVOID FLAMMABILITY.
 - *DO NOT PUT ANY ADHESIVES AND/OR PAINTS INTO MOUTH AND EYE. IF MISTAKENLY PUT INTO, WASH OUT PROMPTLY WITH FULL WATER AND CONSULT A DOCTOR.
8. USE TOOLING, ADHESIVES, PAINTS, BATTERIES ETC. PROPERLY AFTER CAREFUL READING OF INSTRUCTIONS GIVEN IN EACH HANDLING MANUAL.

1 クレア フロストの組み立て Claire Frost Assembly



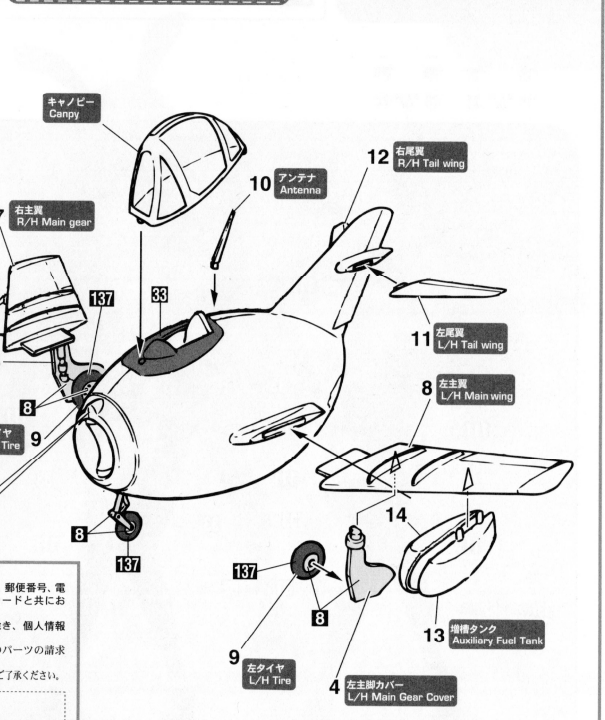
2 胴体の組み立て Fuselage Assembly



■塗料の説明 Paints used
塗料指定の HはG3クレオス・Mr.カラー、Hは水性ホビーカラーの番号です。
H in painting indication is the number of GSI Creos Aqueous Hobby Color, while H is that of Mr. Color. Glue is not included in this kit.

2	H 2	ブラック(黒)	BLACK
3	H 3	レッド(赤)	RED
3	H 40	シルバー(銀)	SILVER
30	H 48	フラットベース	FLAT BASE
83	H 12	つや消しブラック	FLAT BLACK
62	H 11	つや消しホワイト	FLAT WHITE
67	H 39	パープル(紫)	PURPLE
78	H 57	エアクラフトグレー	AIRCRAFT GRAY
92		セミアグロスブラック	SEMI GROSS BLACK
111		キャラクターフレッシュ(1)	CHARACTER FRESH (1)
137	H 77	タイヤブラック	TIRE BLACK

3 主翼、キャノピーの組み立て Main Wing and Canopy Assembly



部品請求カード

SP209 たまごガールズ コレクション No.09
"クリア フロスト" (ハニーガール) w/ ミッド15

部品を紛失したり、破損された方は、このカードの必要部品を○でかみ代金を現金書留または郵便小為替で当社サービス係までお申送ください。

胴体左右: 主翼部品...800円 キャノピー...400円
尾翼部品...600円 デカール...900円

*レジン部品は部品請求対象外です。
1904 ART NO. SP405

