

# ANBO - II

RSSH - 72004

**HBBIS**  
Scale Scratchbuilt Hobby

Thanks for your interest in this model.

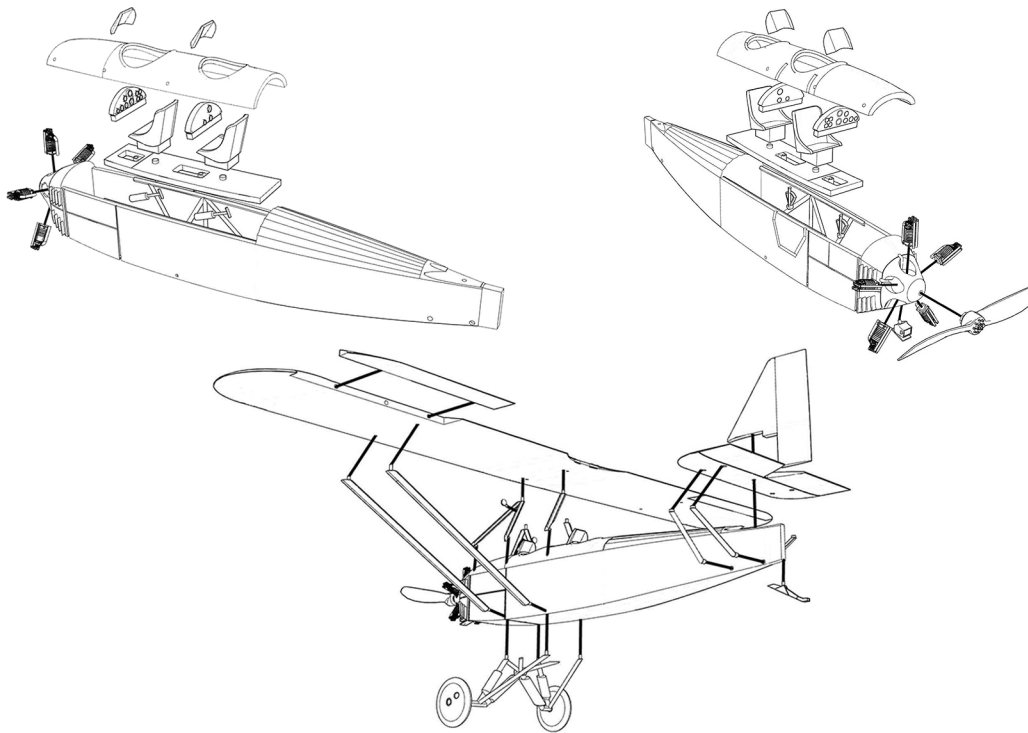
**ANBO-II** was the second aircraft of the Lithuanian aircraft designer **Antanas Gustaitis**.

**ANBO-II** - light multipurpose aircraft. It was operated from 1927 to 1931 as a training aircraft for young military pilots. In 1931, after major repairs and modification, it was transferred to the Aero Club of Lithuania. The plane crashed and was written off in 1934. The plane was not produced in series, yet it served as a prototype for latter trainers **ANBO-III** and **ANBO-V/51**, developed by Antanas Gustaitis.

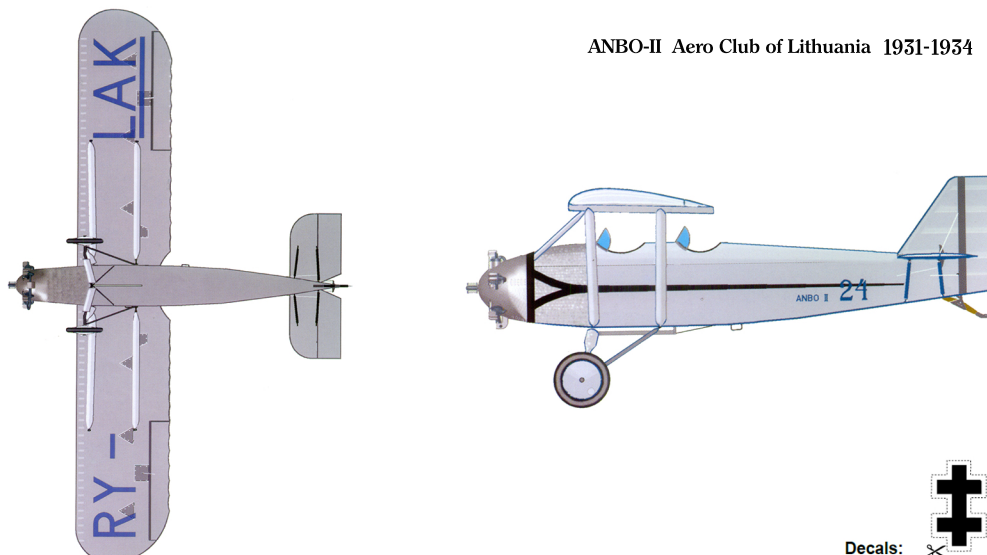
**Crew:** two  
**Length:** 6.75 m  
**Wingspan:** 10.72 m  
**Wing area:** 20 m<sup>2</sup>  
**Empty weight:** 280 kg  
**Gross weight:** 550 kg  
**Powerplant:** 1 × Walter NZ 60, 45 kW (60 hp)  
**Maximum speed:** 160 km/h  
**Service ceiling:** 3,500 m  
**Rate of climb:** 2.1 m/s

More information can be found in <https://www.plienosparnai.lt/page.php?618>

The model is identical to ANBO-II during the period of operation 1931-1934.



ANBO-II Aero Club of Lithuania 1931-1934



Decals:

