



KIT 4149

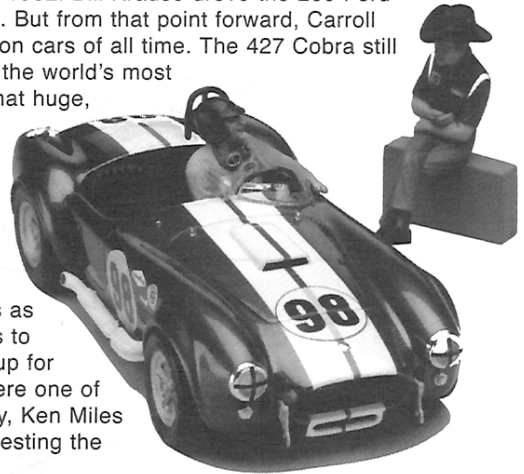
USRRC 427 Cobra

85414900200

With Carroll Shelby & Ken Miles

The mighty Cobra's racing career started at Riverside, California, on October 13, 1962. Bill Krause drove the 260 Ford-powered number 98xP Cobra to the lead only to end its debut with a rear hub failure. But from that point forward, Carroll Shelby and his "Cobra Men" developed the car into one of the most feared competition cars of all time. The 427 Cobra still stands as one of the most awesome racing machines ever built, and remains one of the world's most sought after automobiles. The 427 engine produced such brutal amounts of torque that huge, 4-inch chassis tubes were used to reduce chassis flex and keep the Cobra's power planted to the road. The 427 Cobra was an uncompromising car, and demanded highly skilled drivers to unlock its potential.

Carroll Shelby knew that the Cobra could be a champion, but he knew that he would have to surround himself with the very best people. Ken Miles was one of those people. Miles, an Englishman, had a talent for getting the most out of every car he drove or turned a wrench on, and was instrumental in helping to design and test the 427 Cobra. Along the way, Miles and Shelby developed such great race cars as the Cobra Daytona Coupe and the sleek Ford GT-40. With Ken Miles driving Cobras to victory at Daytona and Sebring, the Shelby Team won the prestigious F.I.A. World Cup for Manufacturers, the only American team ever to do so. Together, Miles and Shelby were one of the greatest teams in racing history, and made the Shelby Cobra into a legend. Sadly, Ken Miles' racing career was tragically cut short when he was killed at Riverside in 1966 while testing the Ford J car, but his legacy, and the legendary cars he helped create, live on.



* REPEAT SEVERAL TIMES
* A REPETER PLUSIEURS FOIS



* OPTIONAL PARTS
* PIECES EN OPTION



* DECAL
* DECAL COMANIE



* ALTERNATIVE ASSEMBLY
* ENSEMBLAGE ALTERNATIVE



* CEMENT TOGETHER
* A COLLER



* REMOVE AND THROW AWAY
* A RETIRER ET JETER



* DO NOT CEMENT
* NE PAS COLLER

READ THIS BEFORE YOU BEGIN

- * Study the assembly drawings.
- * Each plastic part is identified by a number.
- * In the assembly drawings, some parts will be marked by a star (H) to indicate chrome plated plastic.
- * For better paint and decal adhesion, wash the plastic parts in a mild detergent solution. Rinse and let air dry.
- * Check the fit of each piece before cementing in place.
- * Use only cement for polystyrene plastic.
- * Scrape plating and paint from areas to be cemented.
- * Allow paint to dry thoroughly before handling parts.
- * Any unused parts may be discarded.

DECAL APPLICATION INSTRUCTIONS

(If applicable)

1. Cut desired decal from sheet.
2. Dip decal in water for a few seconds.
3. Place wet decal on paper towel.
4. Wait until decal is movable on paper backing.
5. Place decal in position on model, face up and slide backing away.
6. Press out air bubbles with a soft damp cloth.
7. Milkiness that may appear is for better decal adhesion and will dry clear. Wipe away any excess adhesive.
8. Do not touch decal until fully dry.
9. Allow the decals 48 hours to dry before applying clear coat.

LIRE CE QUI SUIV AVANT DE COMMENCER

- * Etudier les schémas de montage.
- * Chaque pièce en plastique est identifiée par un numéro.
- * Sur les schémas de montage, certaines pièces sont marquées d'une étoile (H) pour indiquer qu'elles sont en plastique chromé.
- * Pour une meilleure prise de la peinture et des autocollants, laver les pièces en plastique avec une solution détergente peu concentrée. Les rincer et les laisser sécher à l'air.
- * Vérifier que chaque pièce s'ajuste bien avant de la coller en place.
- * N'utiliser que de la colle pour polystyrène.
- * Gratter les parties à coller pour enlever le chrome et la peinture.
- * Laisser la peinture bien sécher avant de manipuler les pièces.
- * Toute pièce inutilisée peut être jetée.

DIRECTIVES D'APPLICATION DES AUTOCOLLANTS

1. Découper l'autocollant désiré de la feuille.
2. Tremper l'autocollant dans de l'eau pendant quelques secondes.
3. Placer l'autocollant mouillé sur une serviette en papier.
4. Attendez que l'autocollant puisse être déplacé sur son support en papier.
5. Mettre l'autocollant en position sur le modèle face sur le dessus et faire glisser le support pour l'enlever.
6. Appuyer avec un chiffon doux humide pour éliminer les bulles d'air.
7. La substance laiteuse qui peut apparaître est destinée à améliorer l'adhésion de l'autocollant et devient incolore au séchage. Essuyer pour enlever tout excédent d'adhésif.
8. Ne pas toucher l'autocollant tant qu'il n'est pas bien sec.
9. Laisser l'autocollant sécher pendant 48 heures avant d'appliquer une couche transparente.

This paint guide is provided to complete this kit as shown on the box.

Le guide de peinture est fourni pour reproduire le modèle réduit qui apparaît sur la boîte.

Aluminum	Aluminum
Flat Black	Noir mat
Flat Brown	Brun mat
Flat White	Blanc mat
Gloss Black	Noir lustré
Gloss Red	Rouge lustré
Gloss White	Blanc lustré
Gold	Or
Guardsman Blue	Blue soldat
Gunmetal	Bronze
Satin Black	Noir satin
Silver	Argent
Steel	Acier

If you have any questions or comments, call our hotline at: **(800) 833-3570**
or, please write to:

Revell-Monogram Consumer Service Department, 8601 Waukegan Road, Morton Grove, Illinois 60053

Be sure to include the plan number (85414900200), part number, description, your return address and phone number.

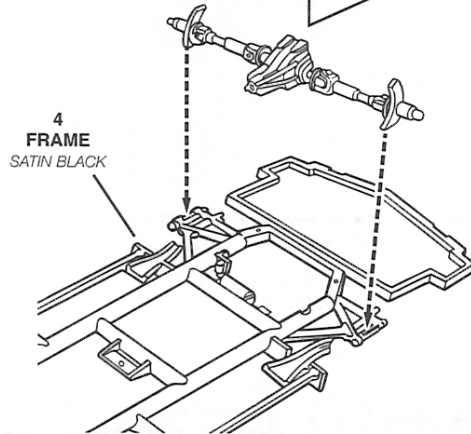
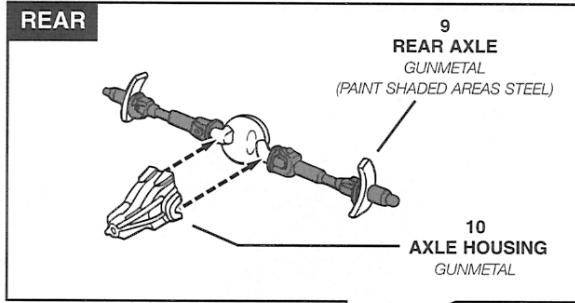
Visit our website: www.revell-monogram.com

1

SUSPENSION ASSEMBLY

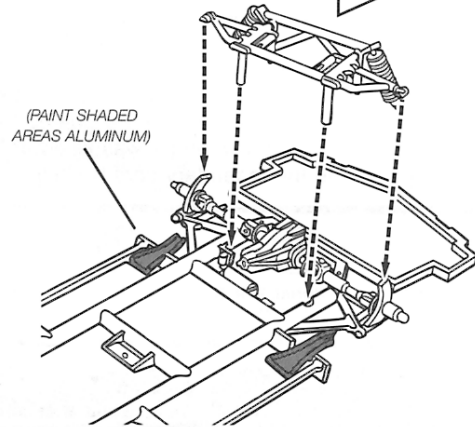
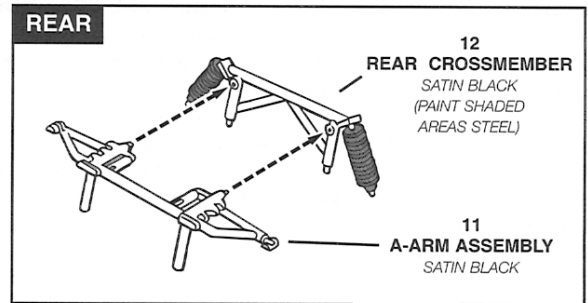
A

REAR



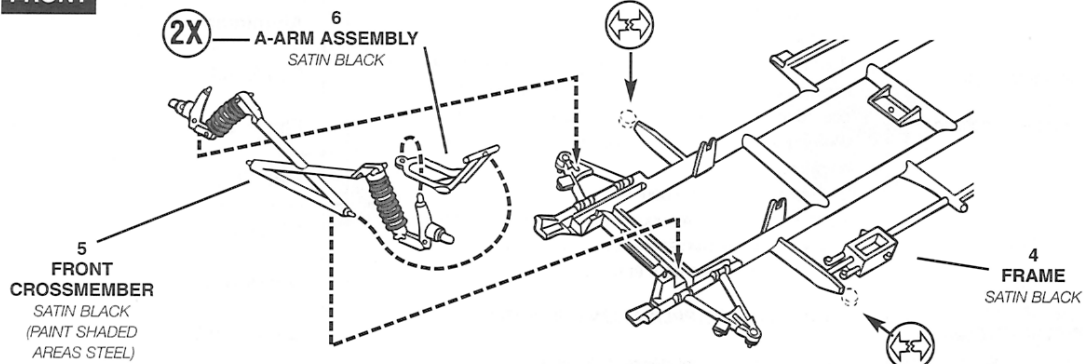
B

REAR



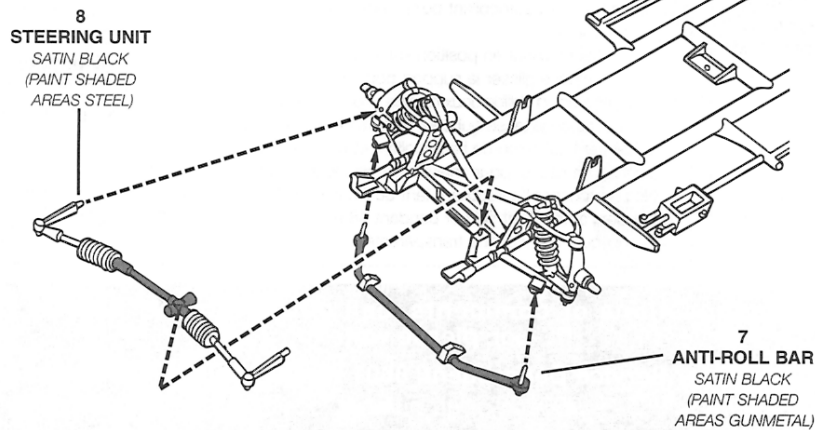
C

FRONT

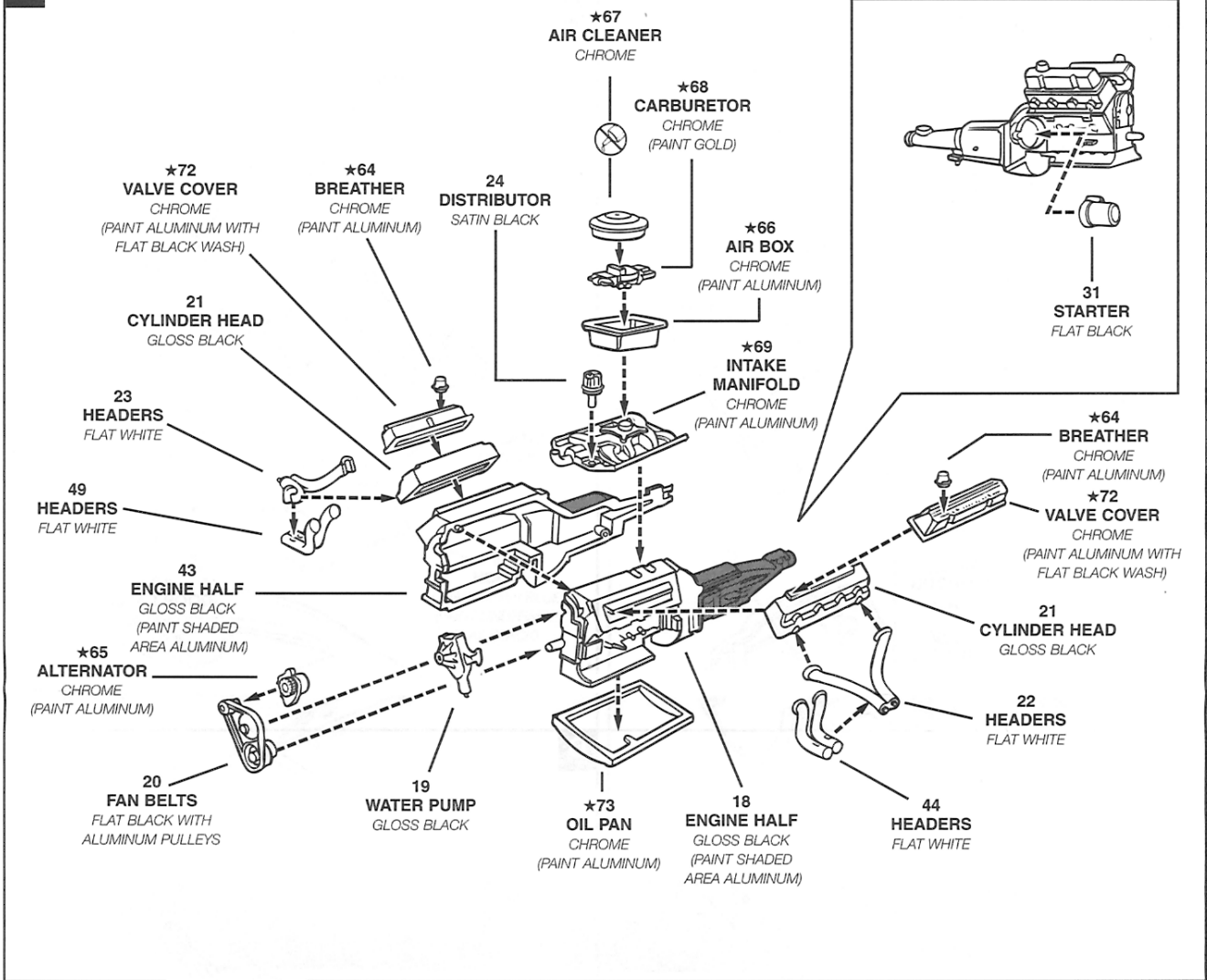


D

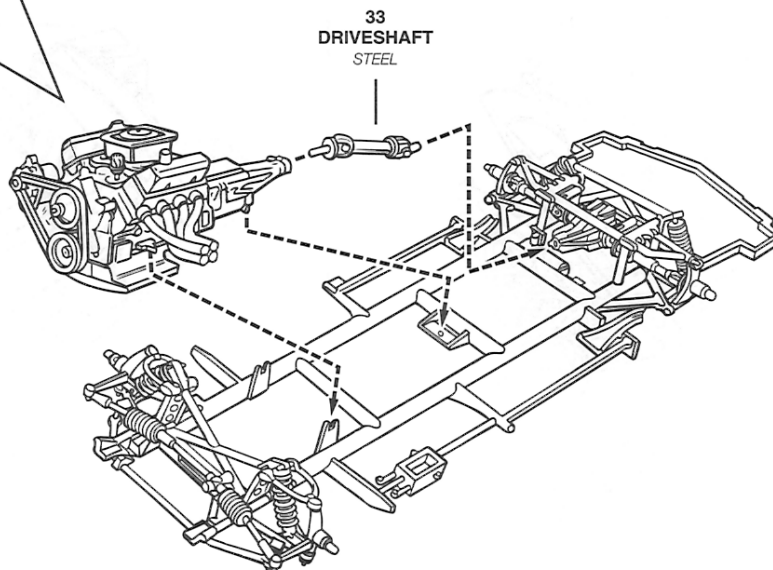
FRONT



A



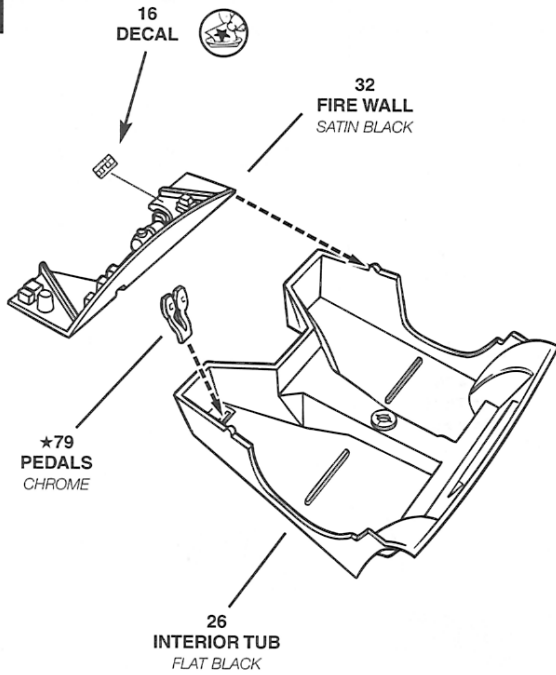
B



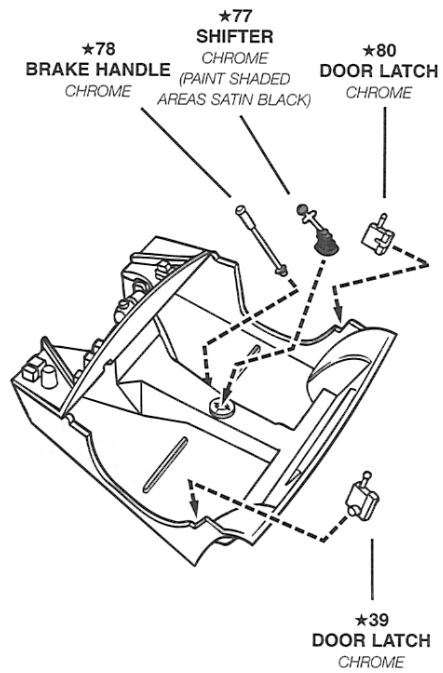
3

INTERIOR ASSEMBLY

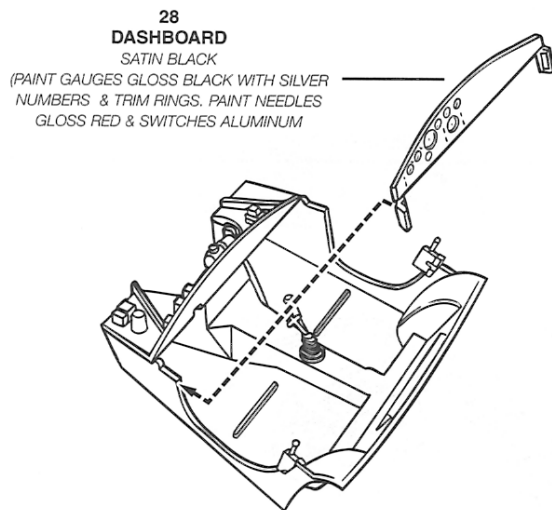
A



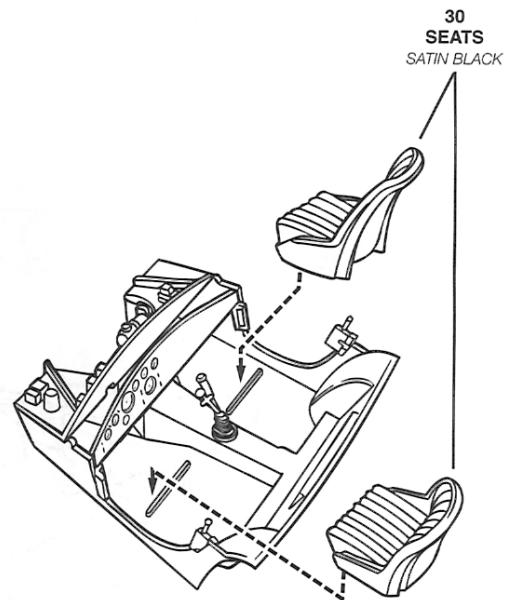
B



C



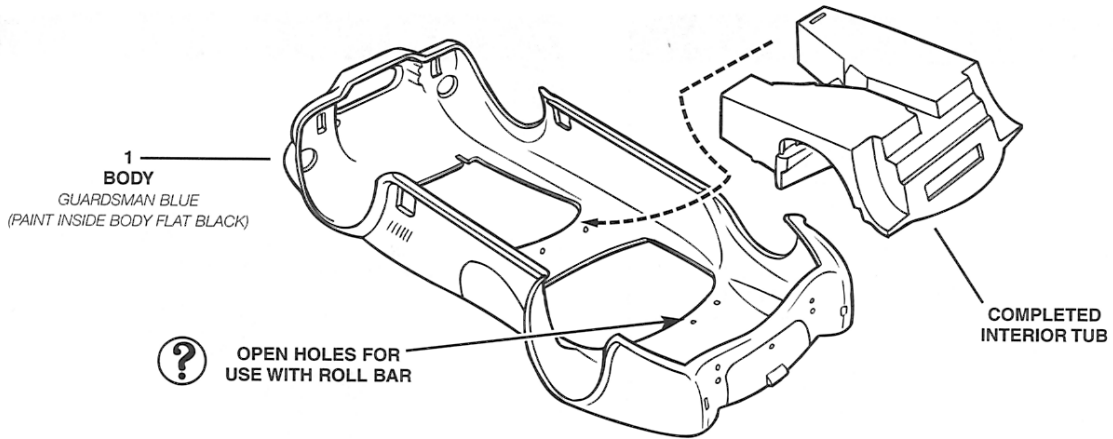
D



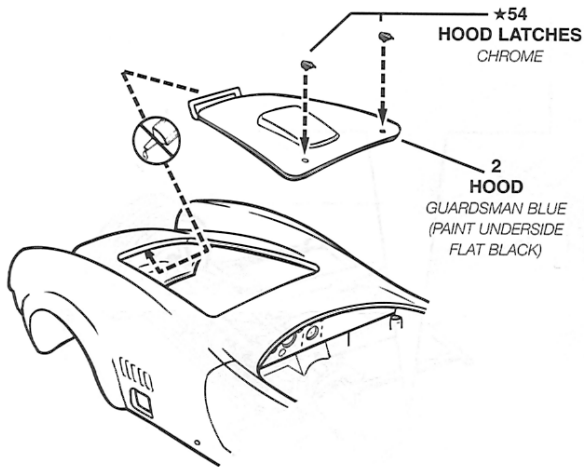
4

BODY ASSEMBLY

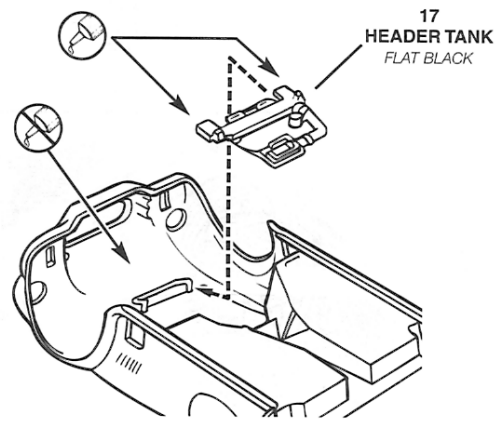
A



B

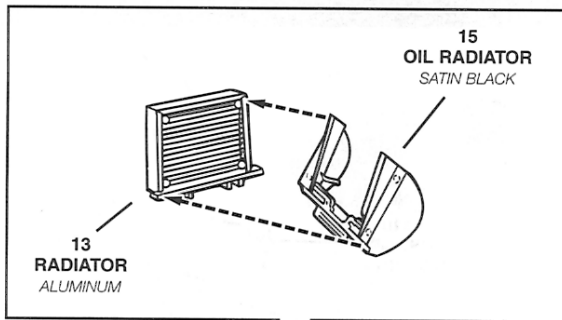


C

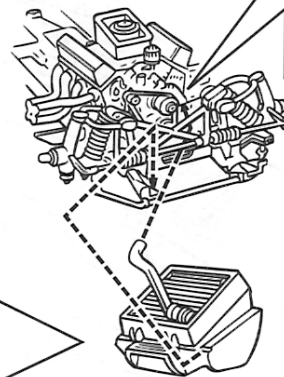
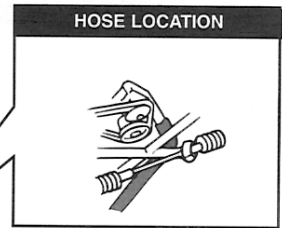
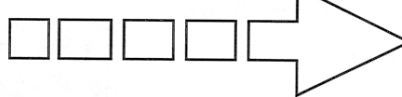
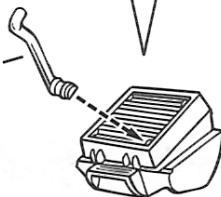


5

COOLING SYSTEM ASSEMBLY



16
RADIATOR HOSE
FLAT BLACK

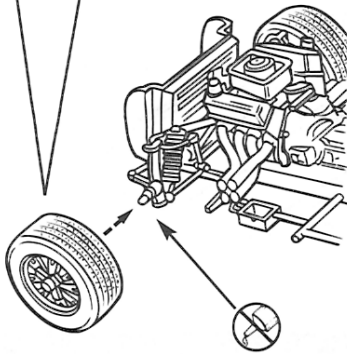
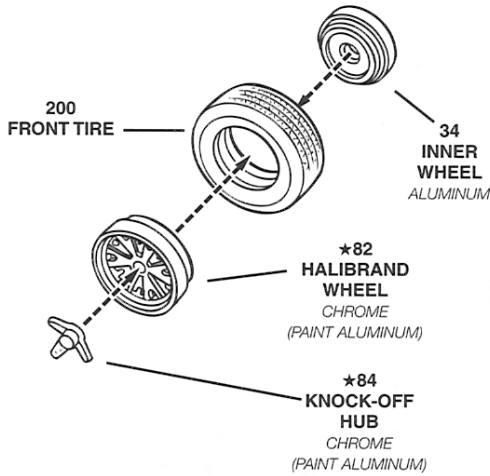


6

TIRE & WHEEL ASSEMBLY

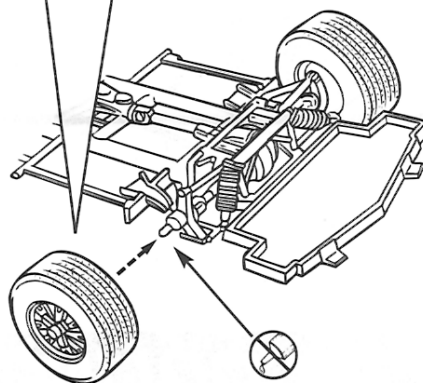
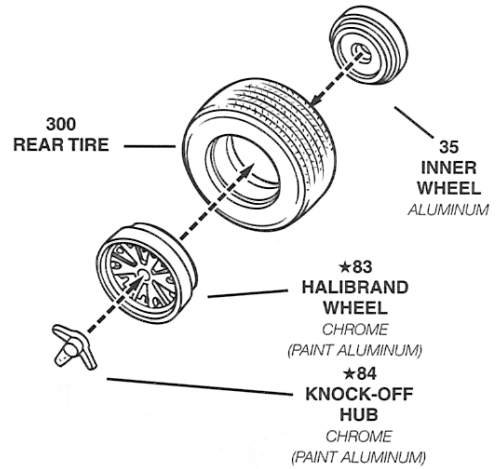
FRONT WHEEL & TIRE ASSEMBLY

(2X)



REAR WHEEL & TIRE ASSEMBLY

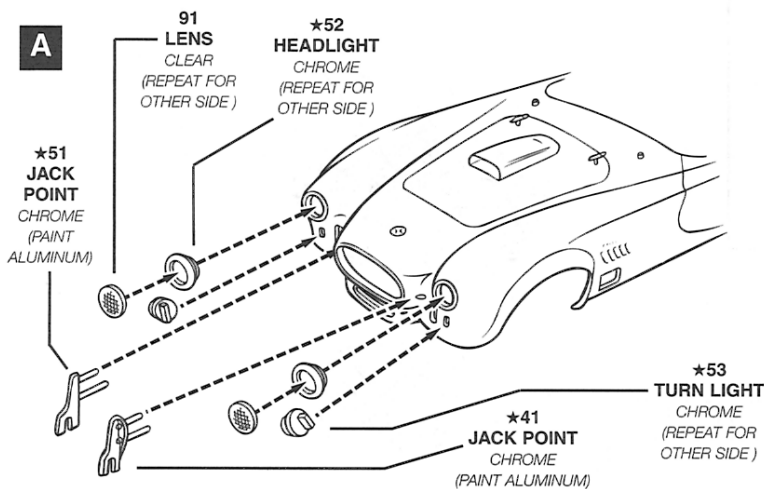
(2X)



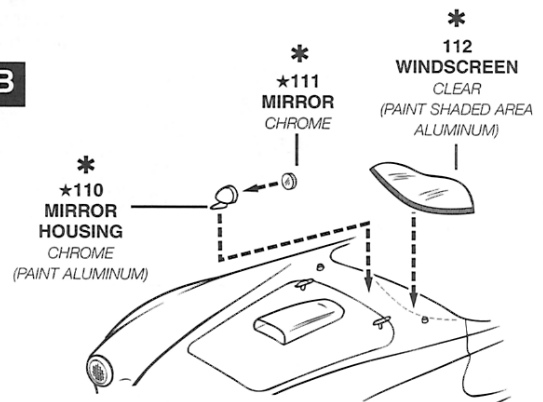
7

FRONT END ASSEMBLY

A

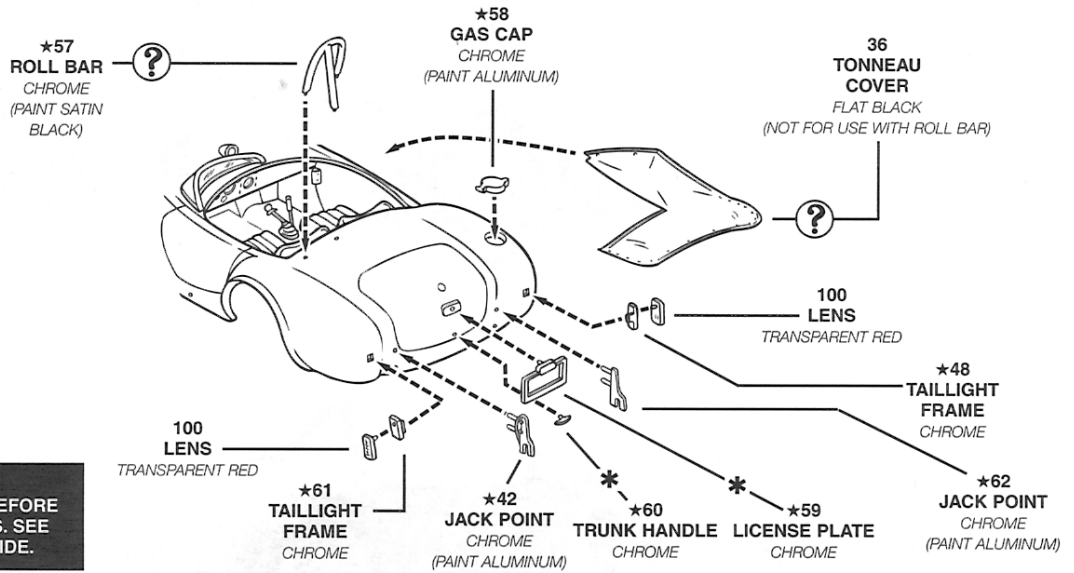


B



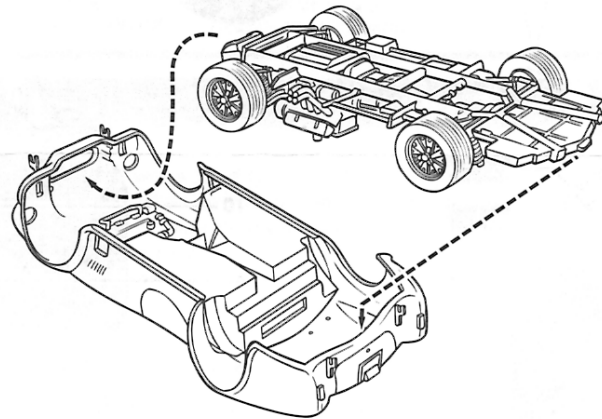
* NOTE:
APPLY STRIPE DECALS BEFORE ATTACHING THESE PARTS. SEE
DECAL PLACEMENT GUIDE.

A

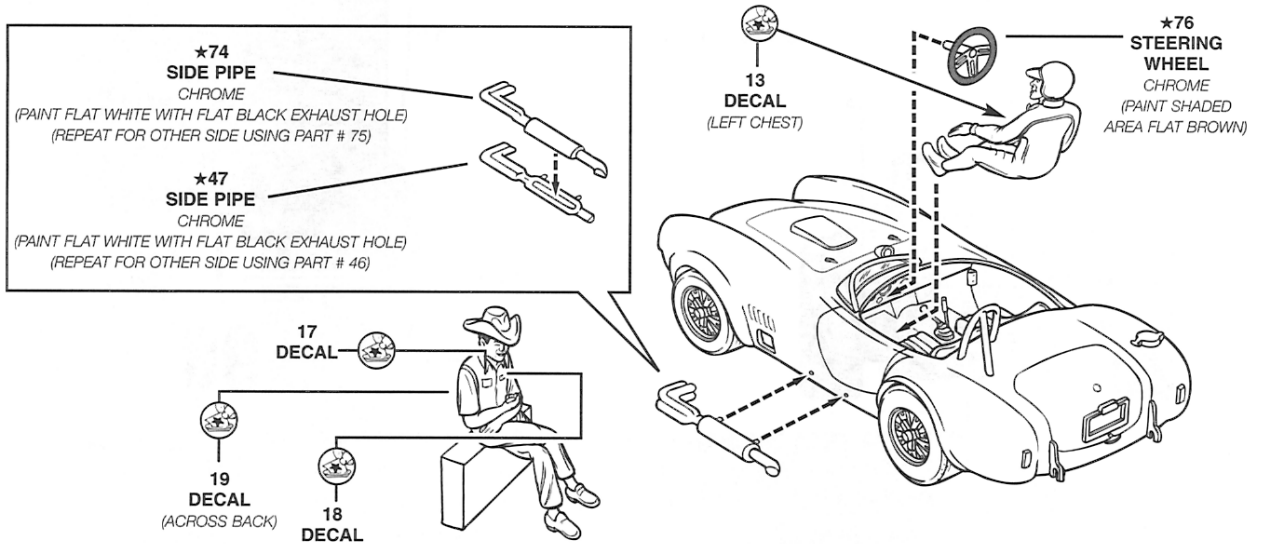


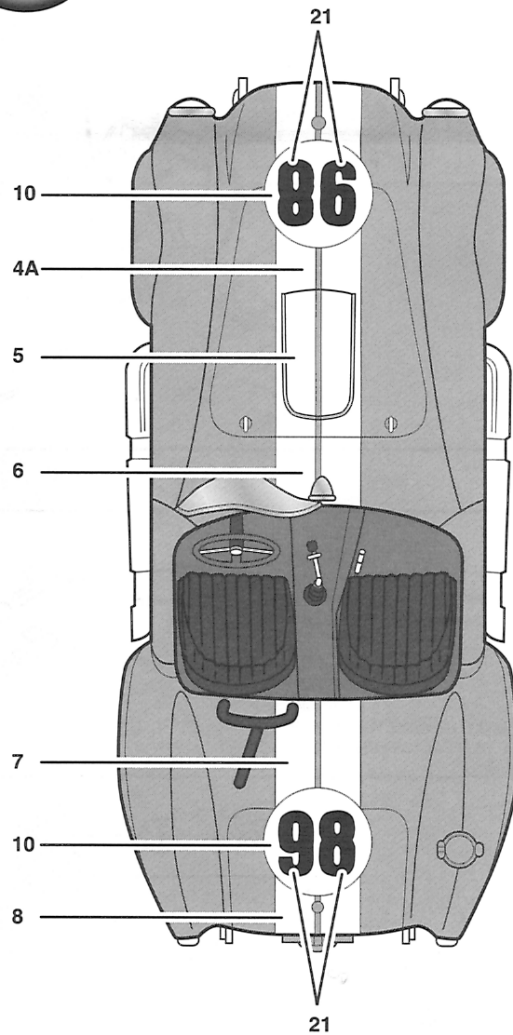
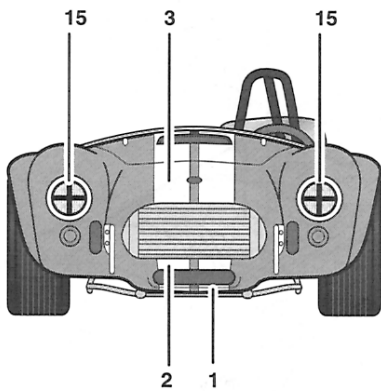
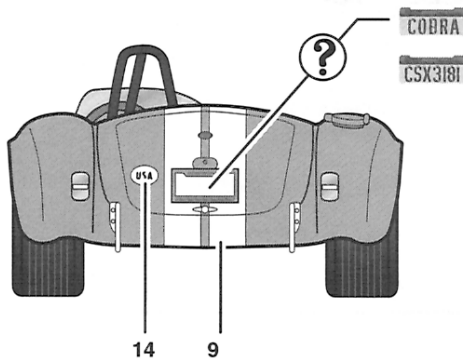
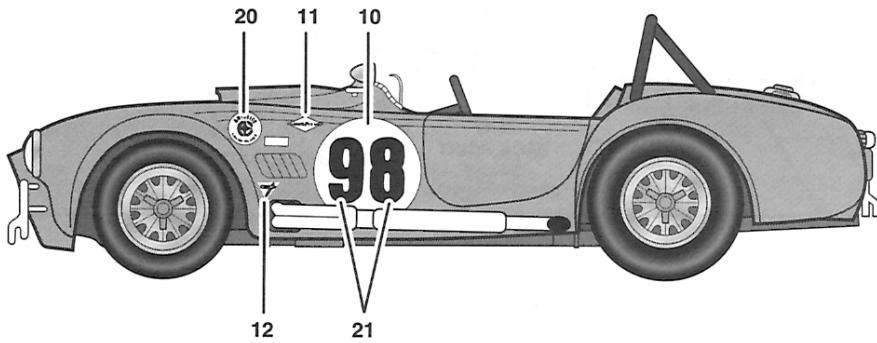
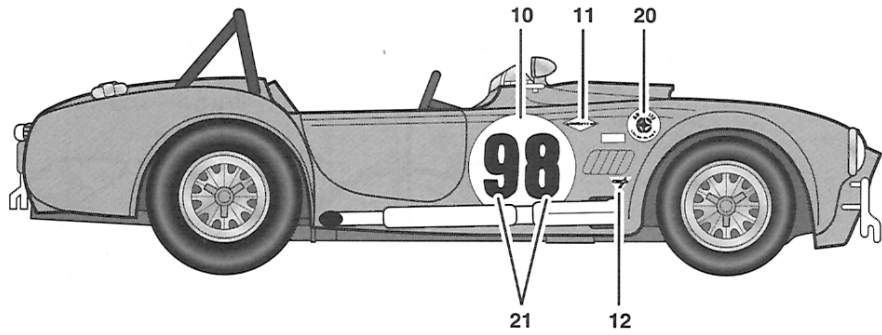
*** NOTE:**
APPLY STRIPE DECALS BEFORE
ATTACHING THESE PARTS. SEE
DECAL PLACEMENT GUIDE.

C



D





NOTE: 4B IS A BONUS DECAL