

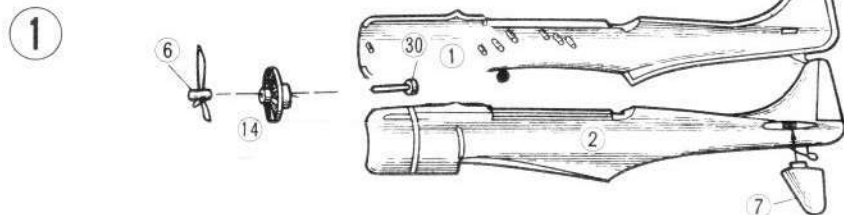
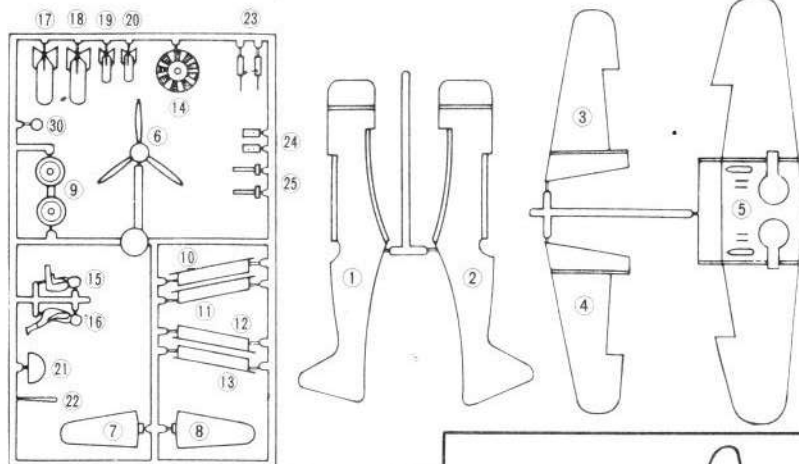
U. S. NAVY
DAUNTLESS
 DIVE BOMBER

1/72 SCALE

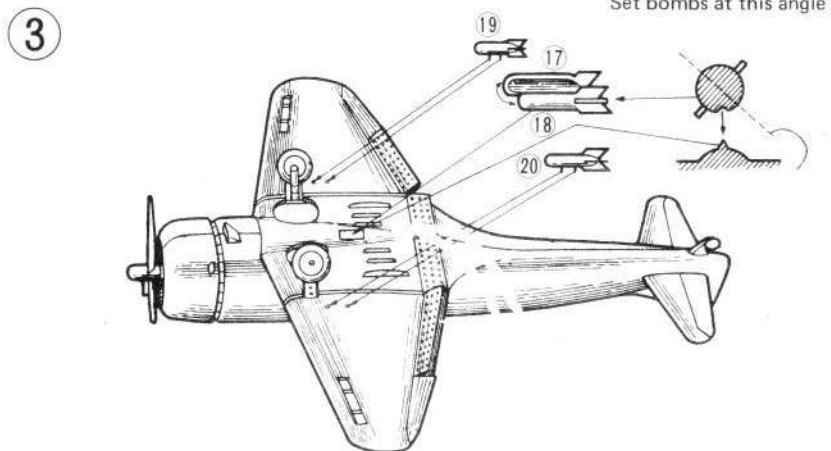


For best results, paint with enamel before assembly (see package decoration). Use a good cement (Revell or Testor). Trim off excess flash.

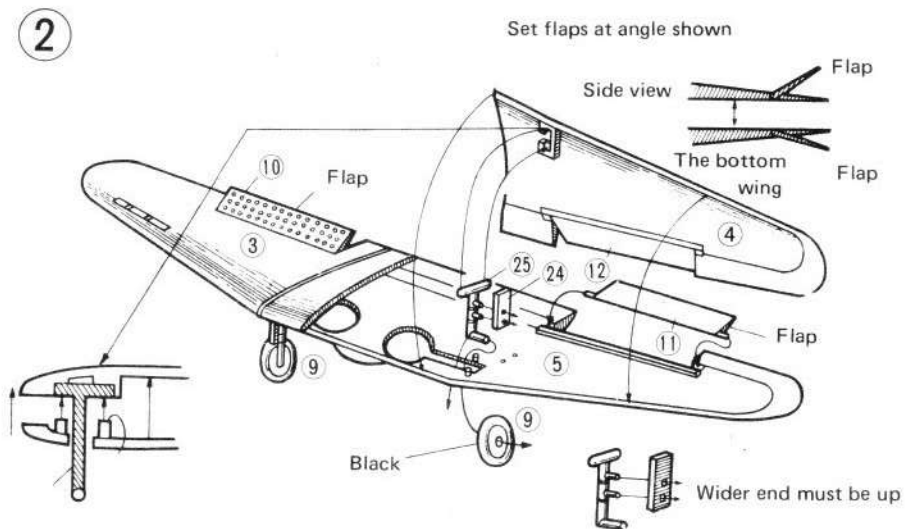
PARTS LIST



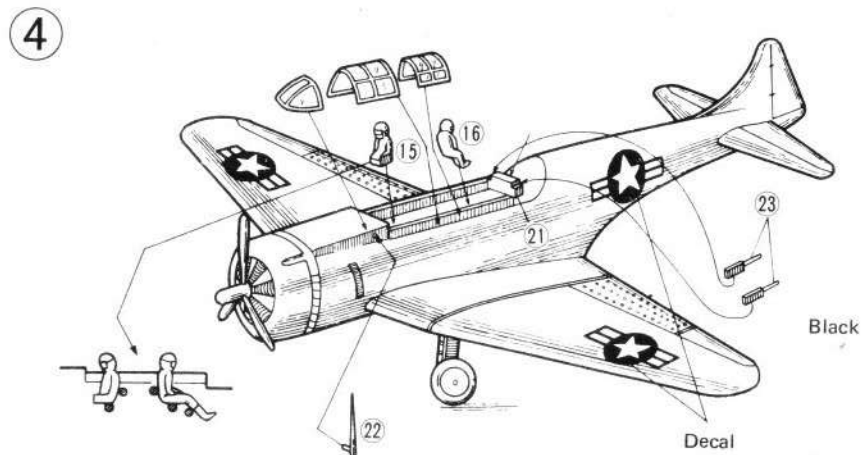
Place pin 30 through 14 and cement prop 6 in place. Do not allow cement to touch hole in 14. Cement 1 to 2 and 7 and 8 to the fuselage.



Cement the fuselage onto the wing and bombs in place.



Place flaps 10 11 on 5. Cement cover 24 to wheel leg 25 (2) and place on 5. Do not cement these parts. Cement wing tops 3 and 4 to the lower wing and cement wheels to 25.



Cement pilot, gunner and machine guns as shown. Cement canopy sections and antenna in place. Apply decals.