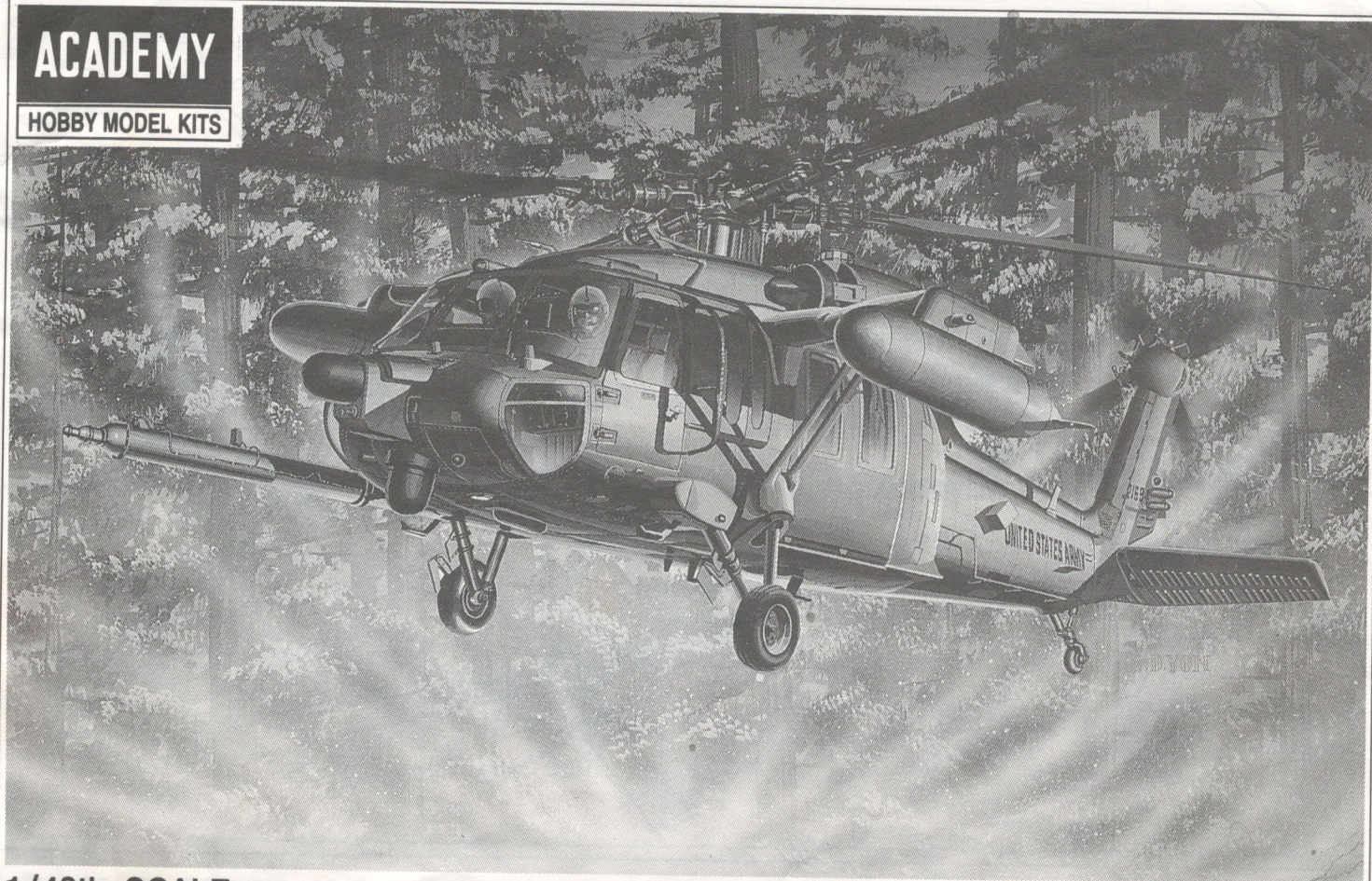


ACADEMY

HOBBY MODEL KITS



1/48th SCALE

SIKORSKY MH-60K SPECIAL OPERATIONS AIRCRAFT

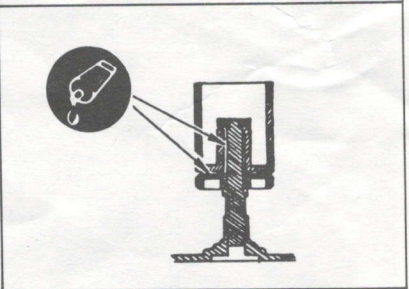
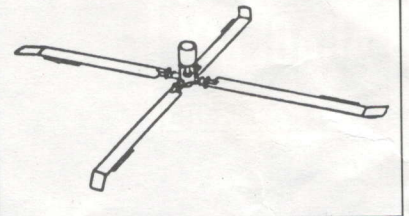
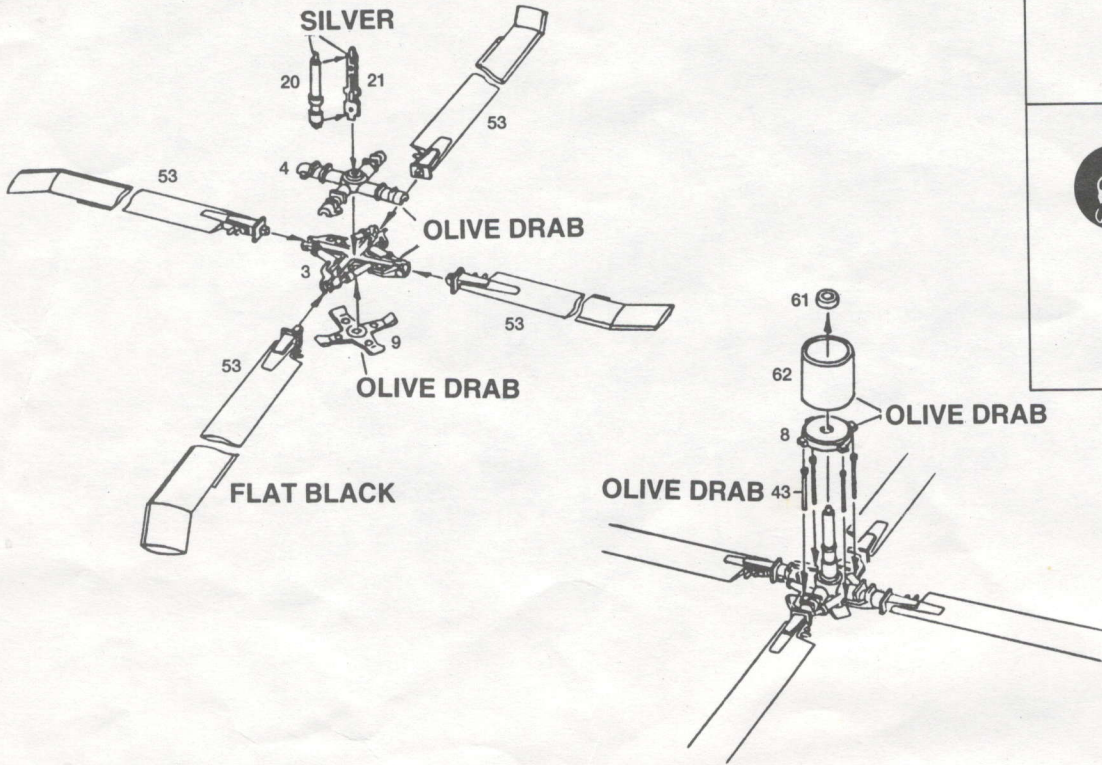
Modified from the UH-60A airframe, the SOA Blackhawk is equipped with terrain-avoidance radar FLIR (forward Looking Infrared) systems to permit the MH-60K to carry out its special reconnaissance or covert missions at night or in bad weather.

For greater defensive capability, the MH-60K carries a Radar Warning Receiver, M130 Chaff dispensers and the AN/ALQ-144IR pulse jamming system in addition to the pair of 50 caliber MH-60A machine guns in place of the usual M134 Miniguns. To enhance its mission capability, the MH-60 has the upswept ESSS pylons carrying two 230 gallon fuel tanks. If that were not enough, the MH-60K has in-flight refueling capability through its starboard mounted probe.

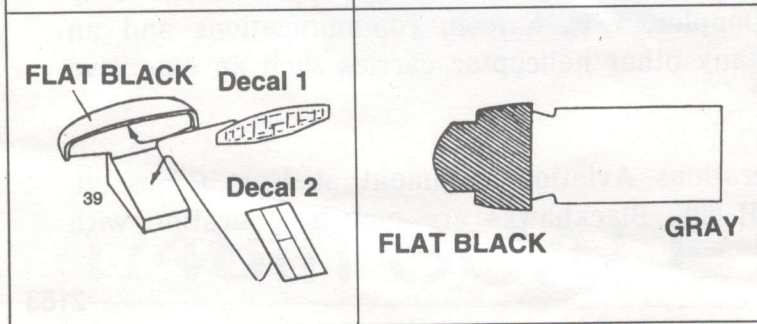
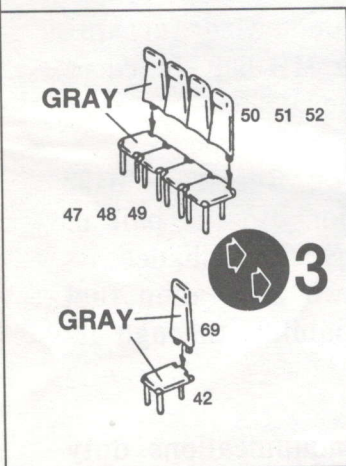
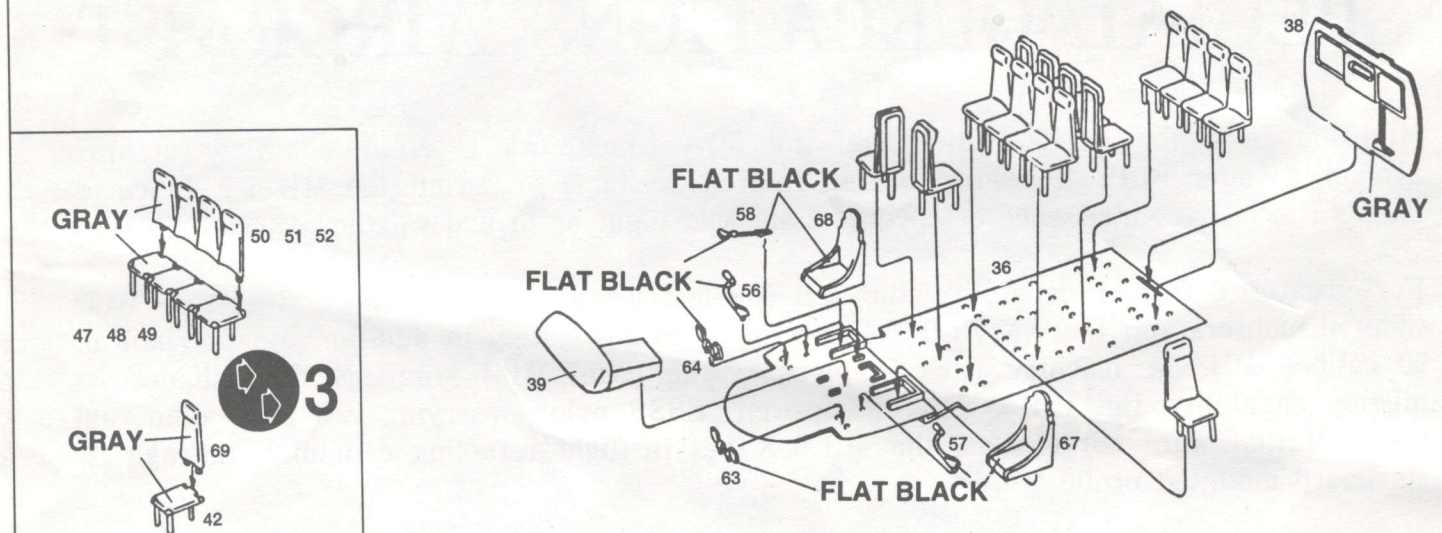
The IBM integrated avionics subsystem controls the navigation and communications duty with a global positioning system, TACAN, Doppler, IFF, Satcom communications and an inertial navigation system. It is doubtful that any other helicopter carries such an extensive avionics system.

Initially assigned to the 160th Special Operations Aviation Regiment at Fort Campbell, Kentucky, somewhere between 22 and 60 MH-60K Blackhawks are now in operation with the US Army.

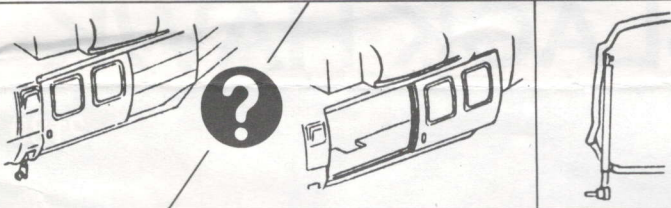
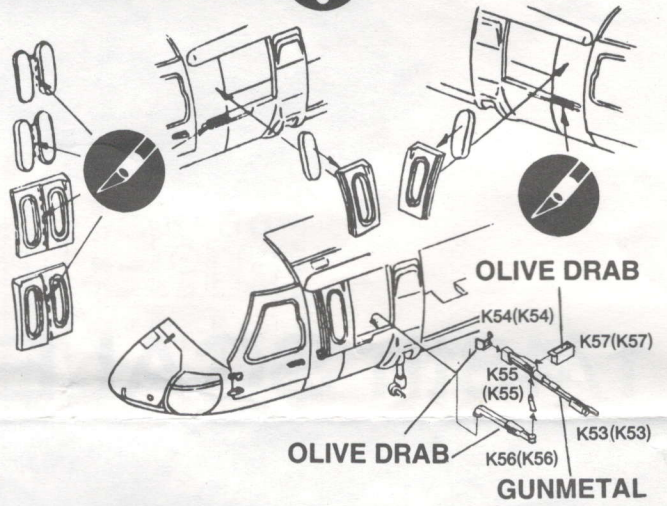
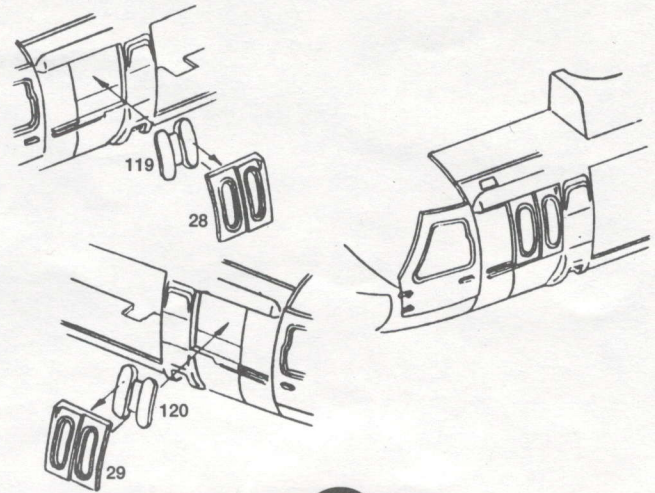
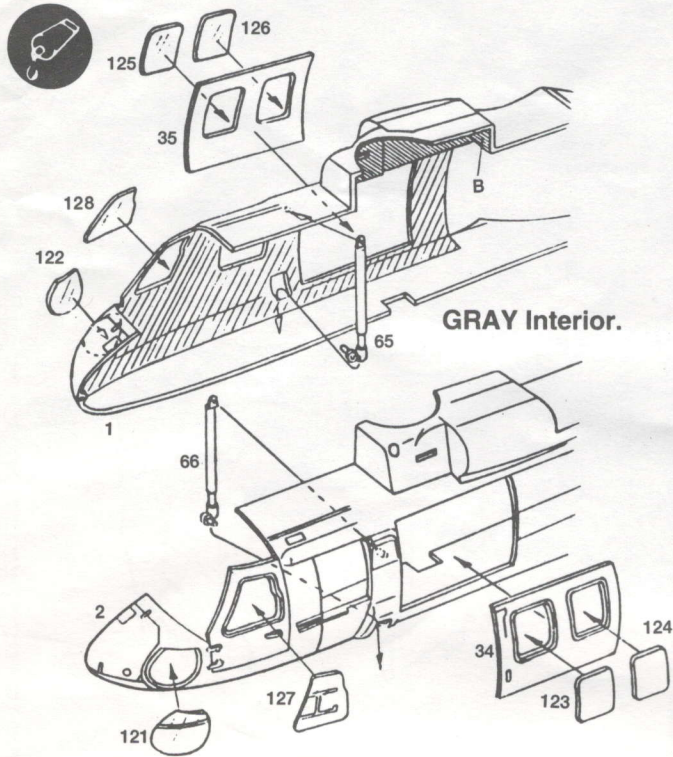
1 MAIN ROTOR ASSEMBLY



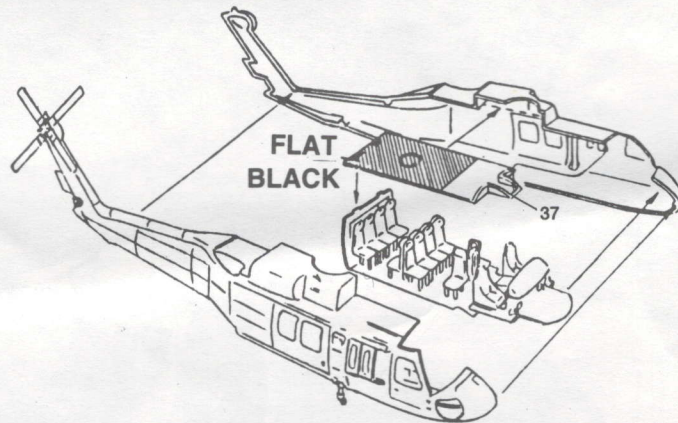
2 COCKPIT & INTERIOR ASSEMBLY



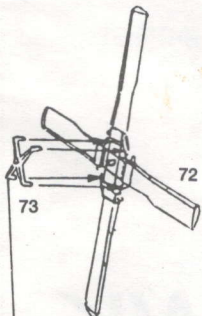
3 DOORS INSTALLATION



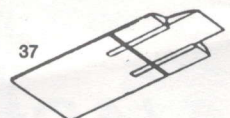
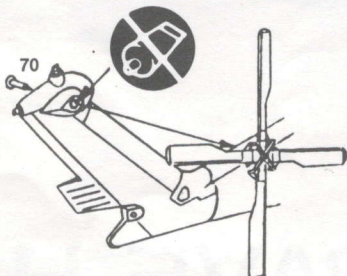
4 FUSELAGE ASSEMBLY & TAIL ROTOR ATTACHMENT



FLAT BLACK

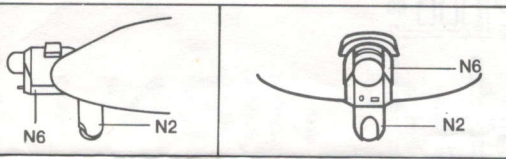
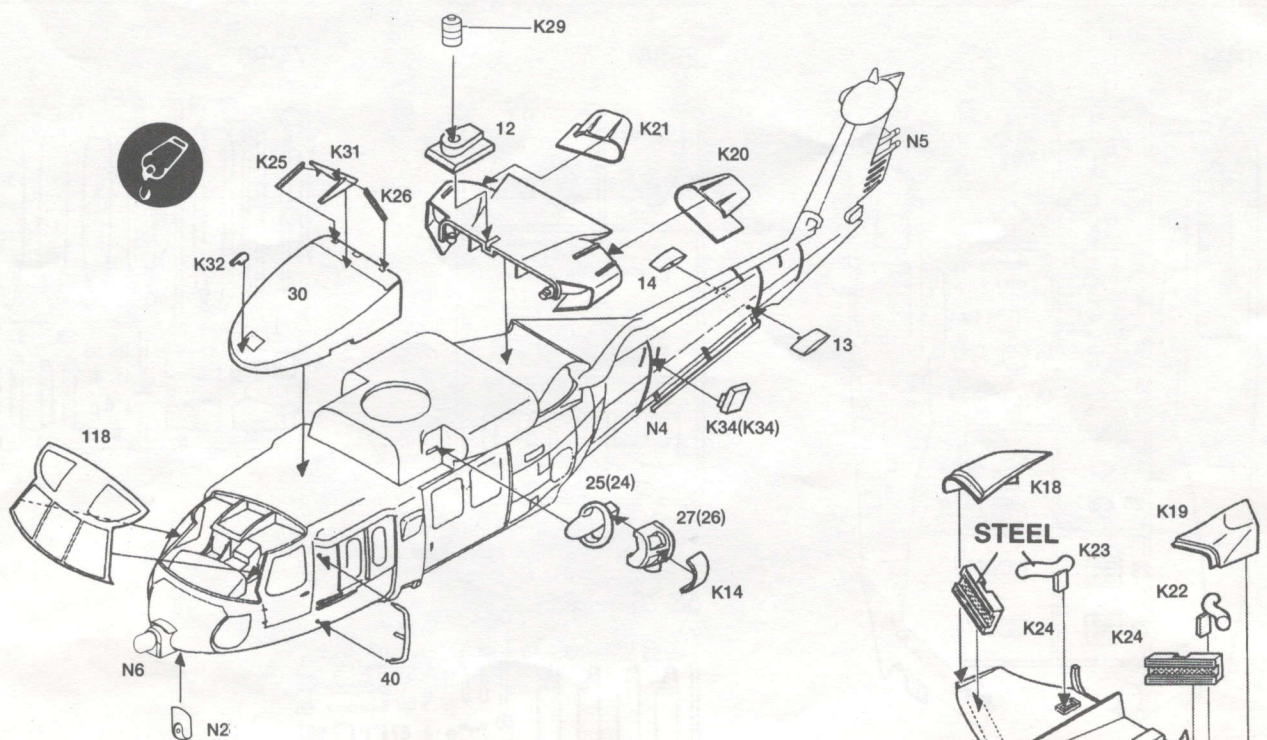


OLIVE DRAB

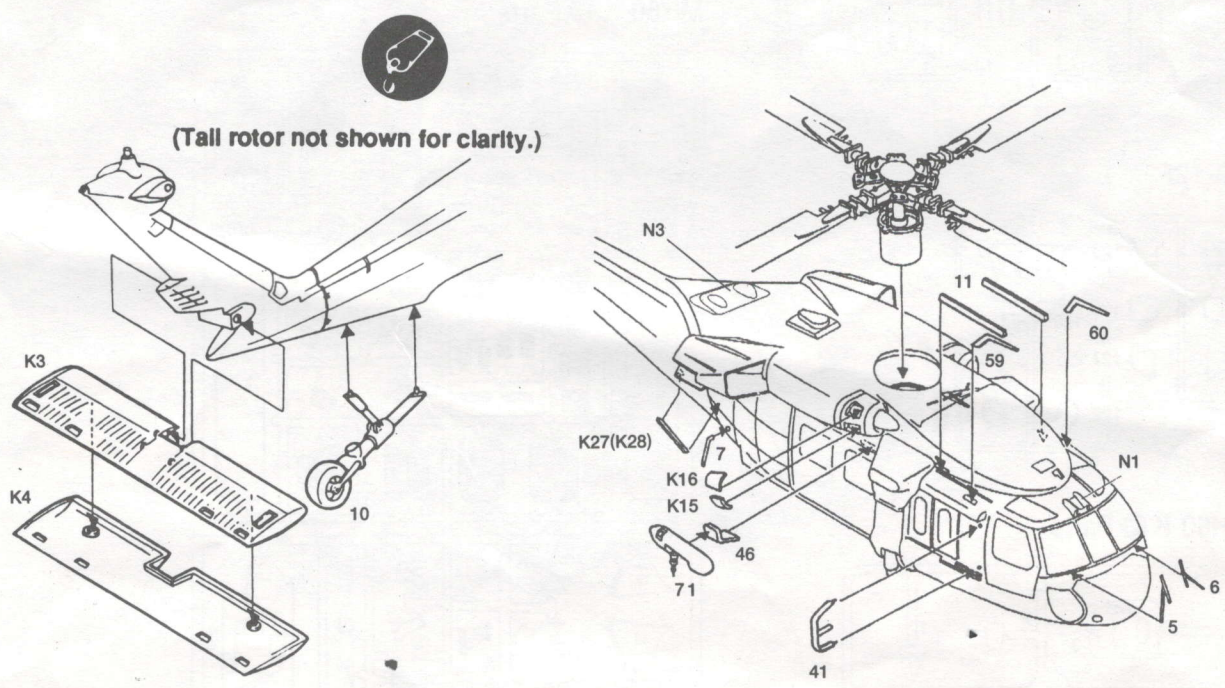


2153

5 ENGINE ASSEMBLY

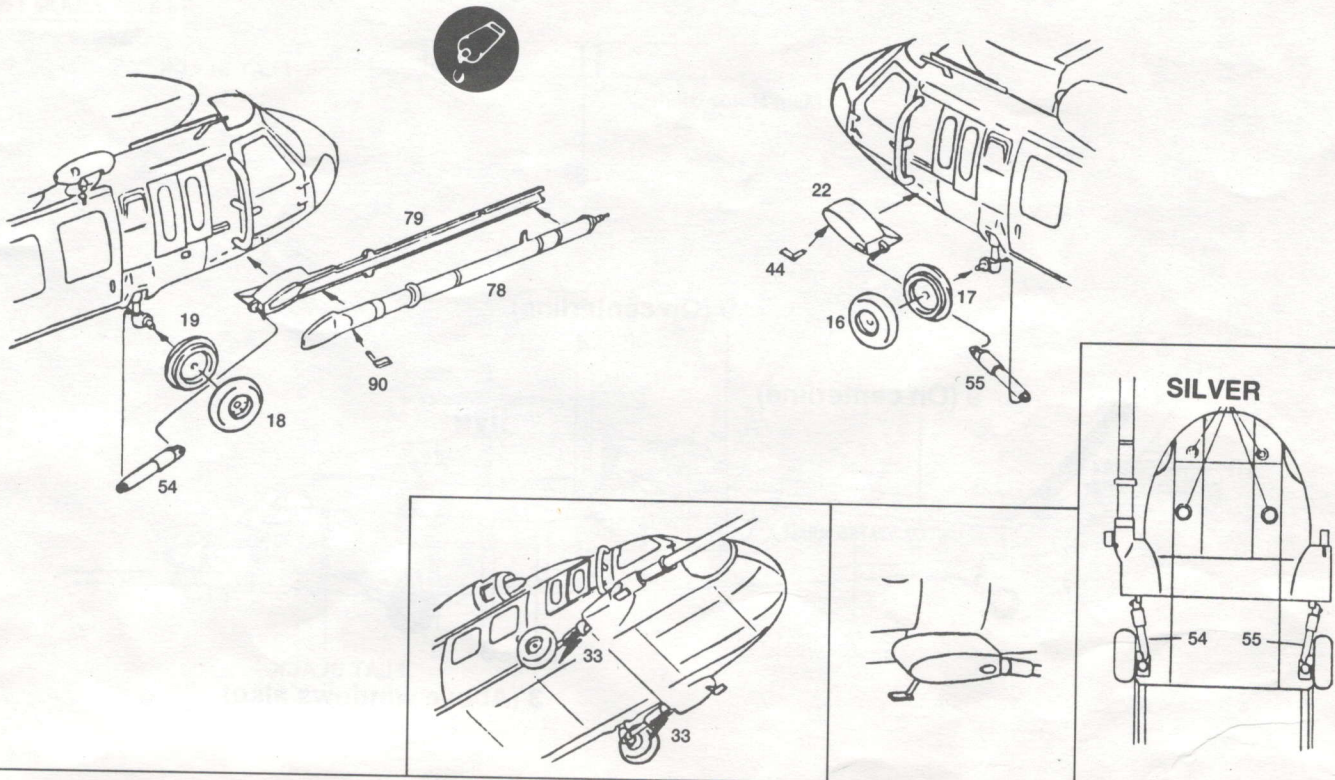


6 ELEVATOR ASSEMBLY & EXTERNAL FUSELAGE DETAILS

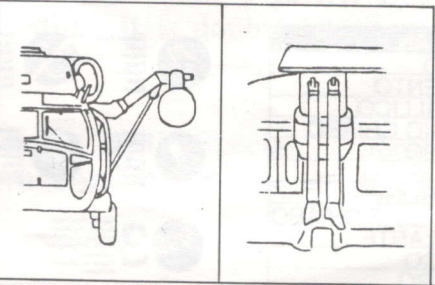
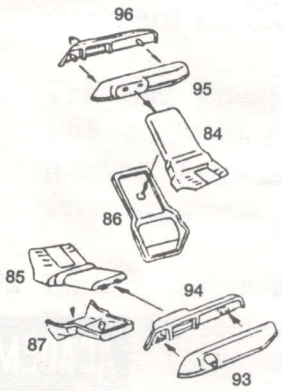
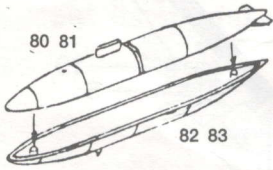
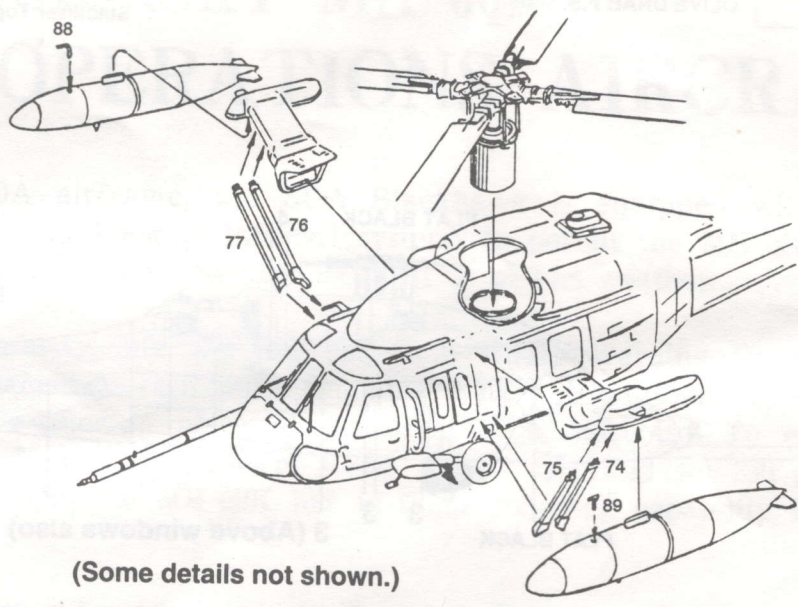


(Some details not shown.)

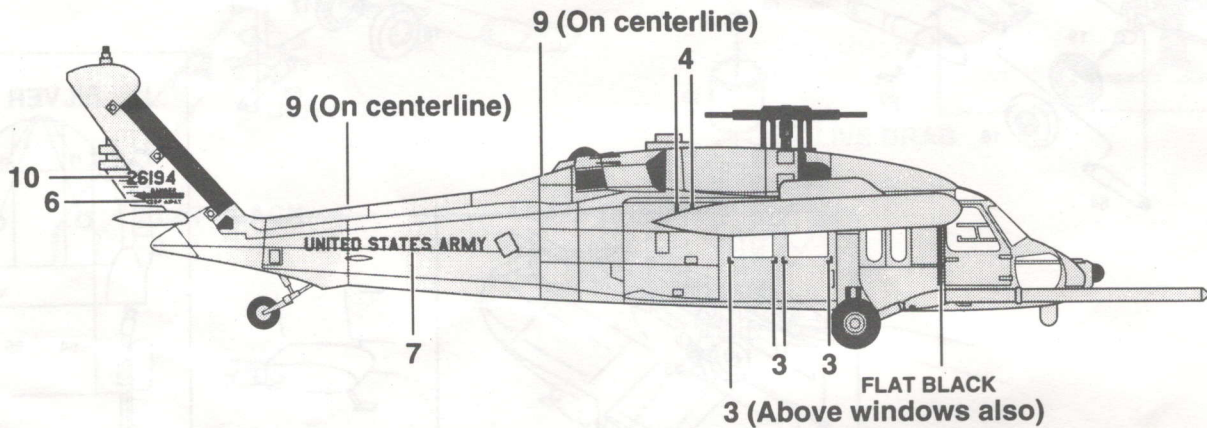
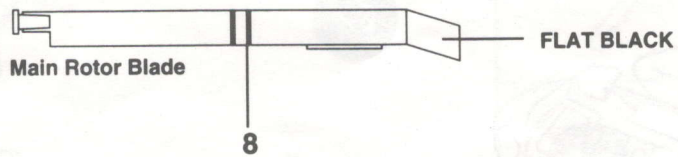
7 REFUELING & MAIN GEAR ATTACHMENT



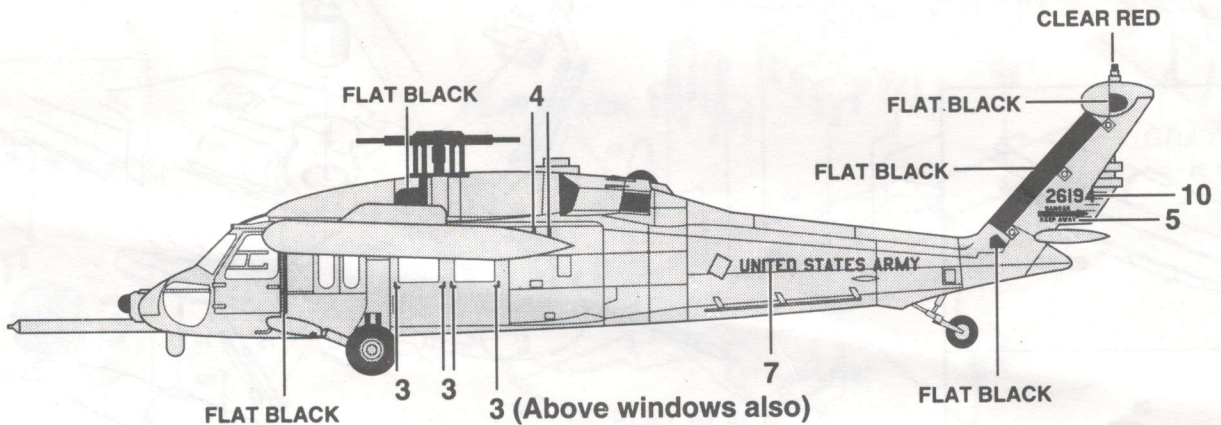
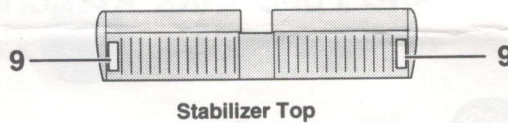
8 MAIN ROTOR AND FUEL TANK ATTACHMENT



MH-60K BLACK HAWK Decal Placement and Painting Diagram



 OLIVE DRAB F.S. 34087



ENGLISH	FRENCH	GERMAN	SPANISH	ITALIAN
BLACK	NOIR	SCHWARZ	NEGRO	NERO
SILVER	ARGENT	SILBERN	PLATA	ARGENTO
GUNMETAL	METALLIC	METALLIC	METALICO	METALLICO
LT GRAY	GRIS CLAIR	HELL GRAU	GRIS CLARO	GRIGIO CHIARO
RED	ROUGE	ROT	ROJO	ROSSO
GREEN	VERT	GRÜN	VERDE	VERDE
BROWN	BRUN	BRAUN	MARRON	MARRONE
TAN	BRUN CLAIR	GELBBRAUN	CANELA	MARRONE CHIARO
GLOSS	LUSTRE	GLANZENDES	BRILLANTE	BRILLANTE
FLAT	TERNE	GLANZLOSES	APAGADO	OPACO
CLEAR	CLAIR	KLAR	CLARO	CHIARO



Cement Parts
Coller
Kleben
Pegar
Incollare
Collar
Kleven



Do Not Cement Parts
Ne Pas Coller
Nicht Kleben
No Pegar
Non Incollare
Nici Collar
Niet Kleven



Cut Away
Cutter
Scheiden
Collar
Tagliare
Collar
Scheiden



Optional Parts
Choix
Auswahlmöglichkeit
Eleccion
Opcao
Keuze



Repeat Operation
Répéter l'opération
Vorgang Wiederholen
Répéter la operación
Repitir
Repeter a Operação
Herhalen

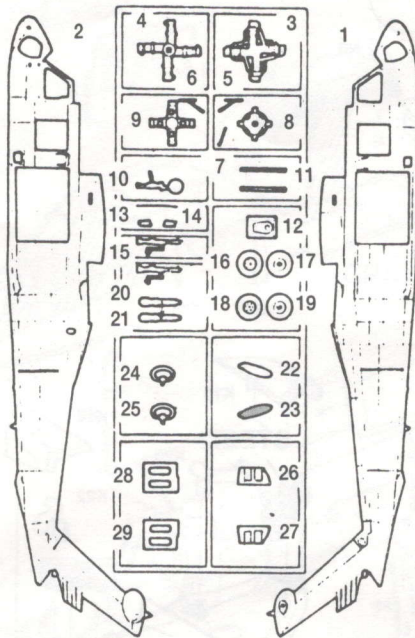


2153

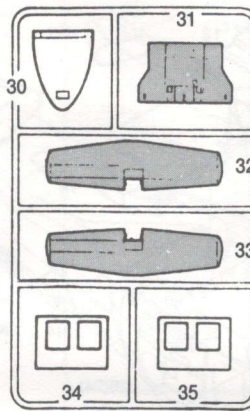
ACADEMY
HOBBY MODEL KITS

PARTS PLACEMENT LIST

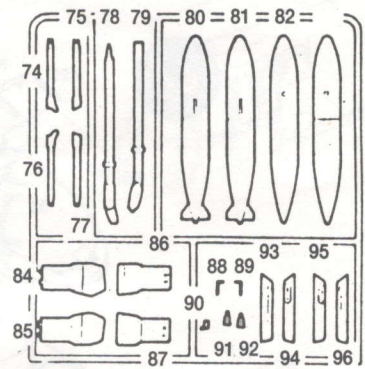
1-29



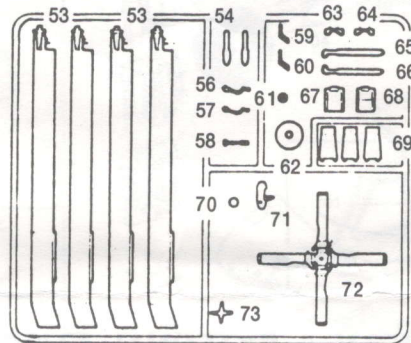
30-35



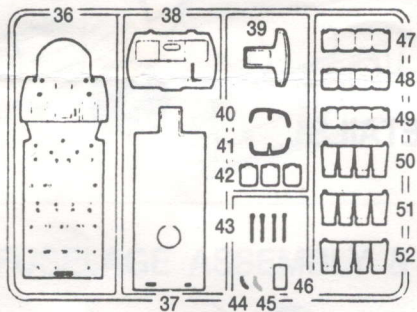
74-96



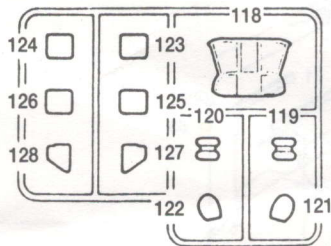
58-76



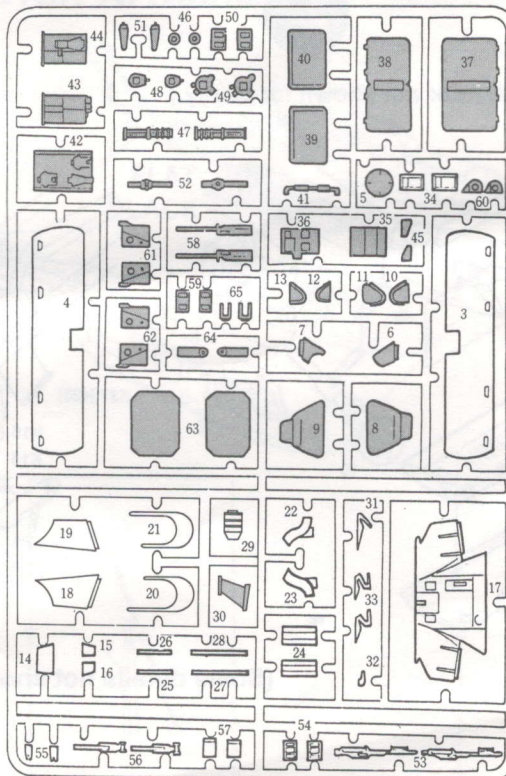
36-52



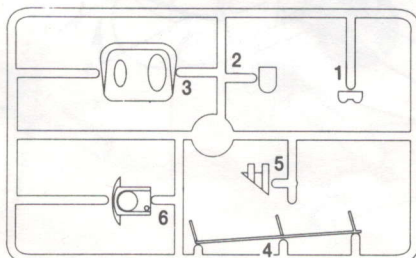
118-128



MH60-K **K** Parts



MH60-K **N** Parts



Unused Parts

