

ARMOR  
ESCI

MADE IN ITALY

ESCI  
ESCI MODELLISTICA

MILANO-ITALY  
KIT 8005  
STURMGESCHÜTZ III

# STURMGESCHÜTZ III ausf.G

German 75 mm. Assault Gun  
German 105 mm. Assault Howitzer



## SPECIFICATION

### GENERAL

CREW: 4.  
BATTLE WEIGHT: 26.4 TONS.  
GROUND PRESSURE: 14.9 LBS/SQ. IN.

### DIMENSIONS

LENGTH: 18 FT.  
HEIGHT: 7 FT.  
WIDTH: 9.5 FT.  
WIDTH OF TRACK: 15.75 IN.  
GROUND CLEARANCE: 15.4 IN.

### ARMAMENT

ONE 10.5 CM. STU. H 42, CALIBER LENGTH 28.  
(ONE 7.5 CM. STU. K 40, CALIBER LENGTH 48).  
ONE 7.9 MM. MG. 34 (42).

### ENGINE

HL 120 TRM MAYBACH, 300 HP AT 3,000 RPM, 4 CYCLES, 12 CYLINDERS IN V-BLOCK, GASOLINE, LIQUID - COOLED, COMPRESSION RATIO: 6.5 : 1.

### PERFORMANCE

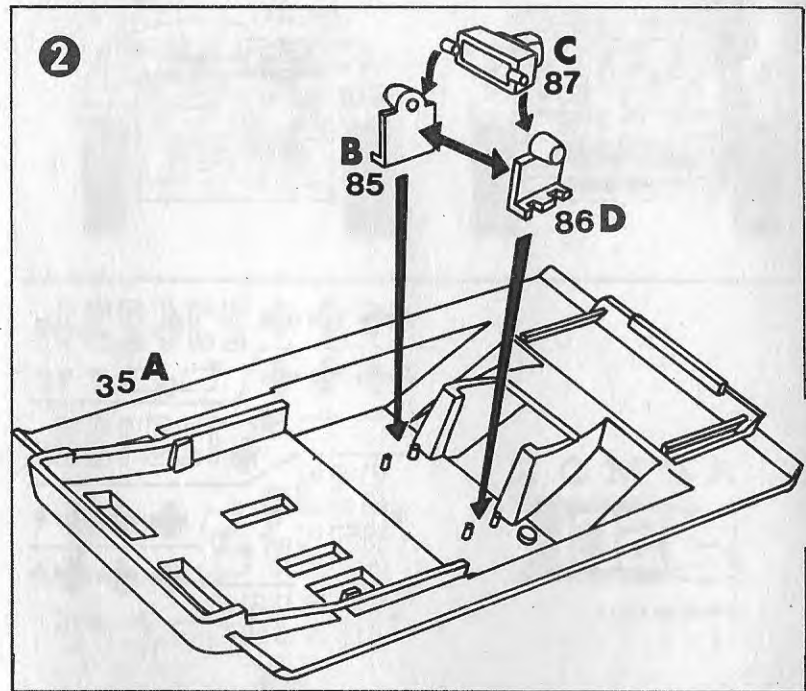
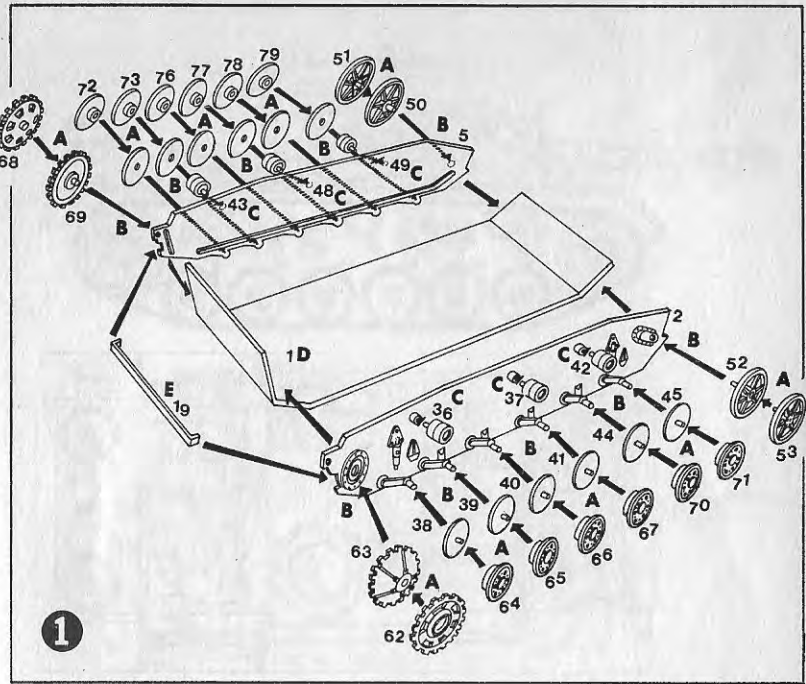
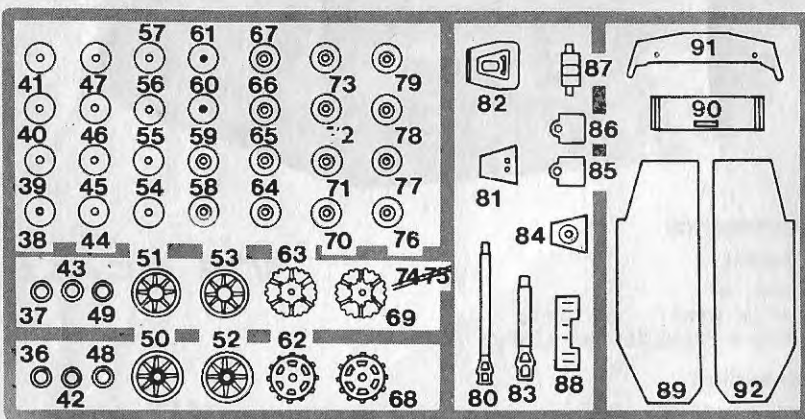
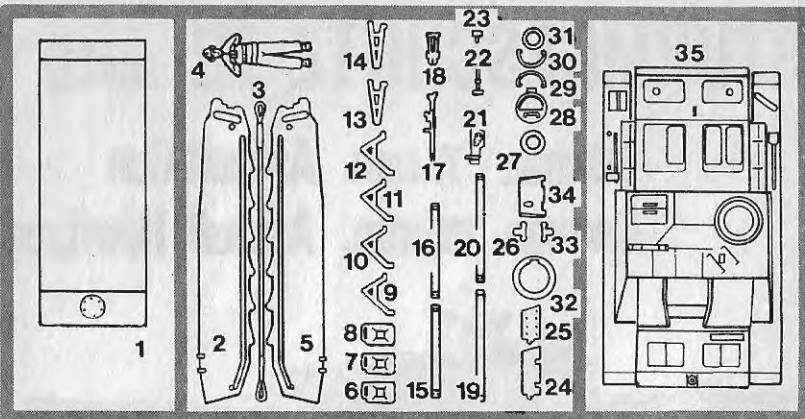
SPEED: 25 MPH. ON ROADS; 15 MPH. CROSS-COUNTRY.  
CLIMBING ABILITY: 30° (57%) SLOPE.  
TRENCH CROSSING ABILITY: 7.2 FT.  
FORDING DEPTH: 35.4 IN.  
FUEL CAPACITY: 82 GAL.  
RADIUS OF ACTION: 96 MILES ON ROADS;  
59 MILES CROSS-COUNTRY.

1/72 SCALE

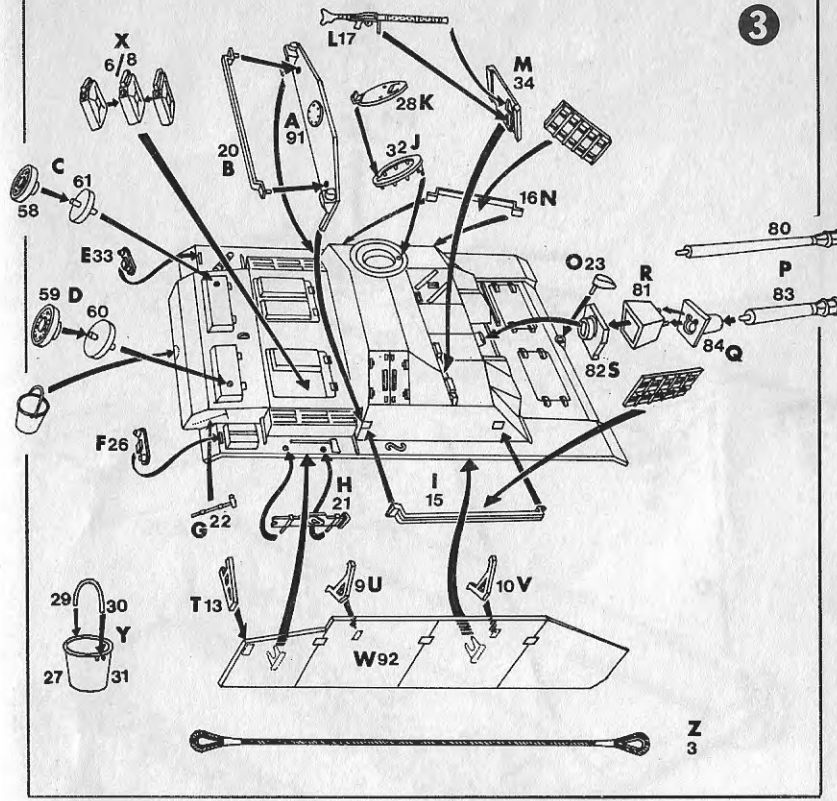
KIT 8005

ARMOR  
ESCI

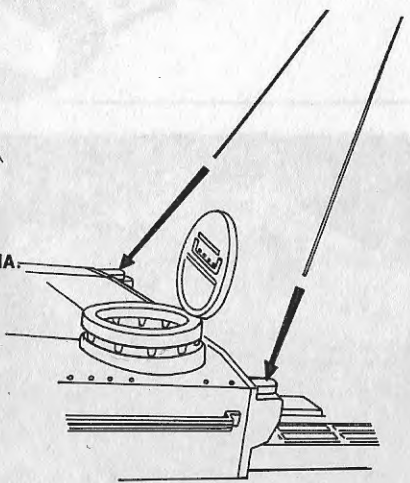
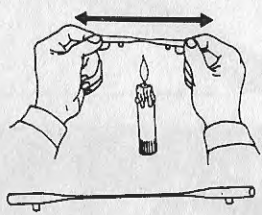
MADE IN ITALY



3



WAY TO BUILT THE ANTENNA.



4

5

