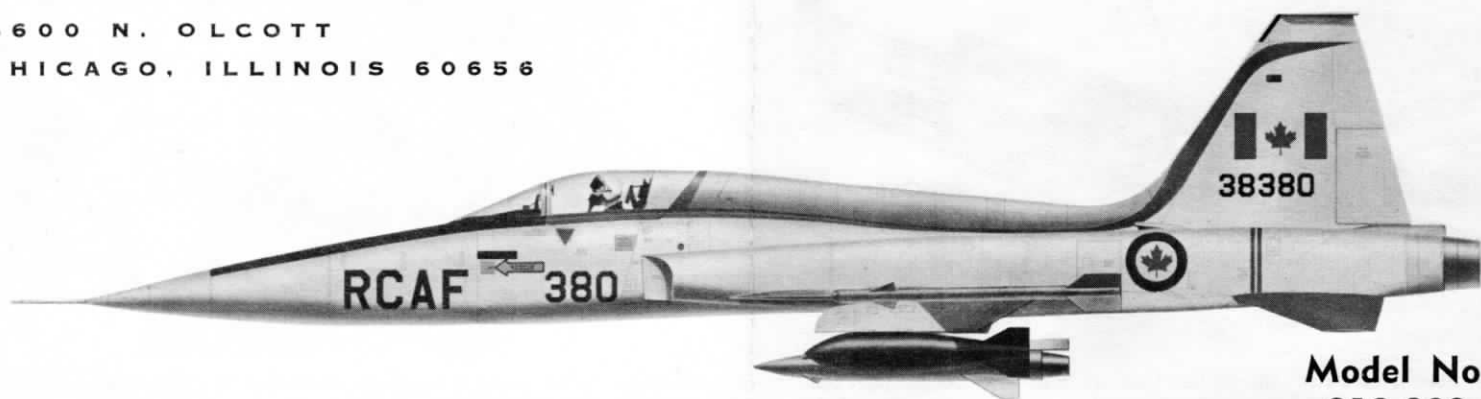




Most
Trusted
Name
In
Modeling

NORTHROP F-5A Freedom Fighter

4600 N. OLCOTT
CHICAGO, ILLINOIS 60656



Model No.
213-200

© COPYRIGHT - HAWK - 1967

MADE AND PRINTED IN USA



With the skies over Vietnam providing an aerial proving ground for U.S. air power, one aircraft has proven itself quite capable of fulfilling its design requirements—the Northrop F-5A.

Purchased in considerable quantity by many NATO nations and currently re-equipping the Chinese Nationalist Air Force on Formosa, the F-5A will also be built under license in Canada for the Royal Canadian Air Force.

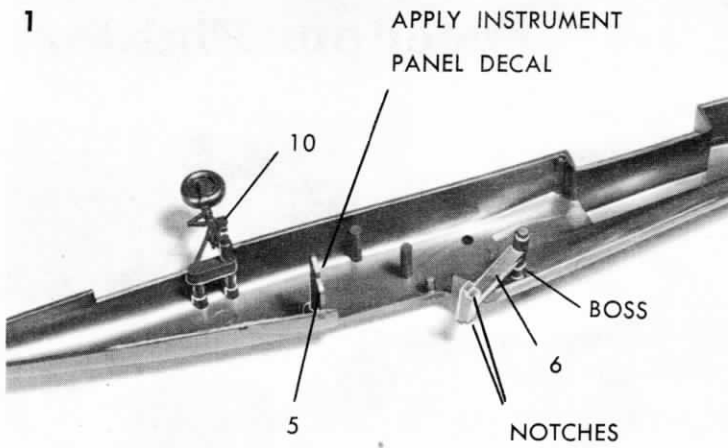
Spanning a mere 26 feet 7 inches, the F-5A packs fantastic offensive punch into its 45 foot length. Two 30mm cannons are carried in the fuselage with external armament of rockets, bombs, and/or napalm having an external armament weight of 6,200 lbs. making up the rest of this bantamweight's punch.

Two General Electric J85 turbojets provide a combined thrust of over 8,160 pounds of thrust capable of pushing this supersonic airframe to speeds of 1,000 mph or Mach 1.4. Maximum altitude is about 52,000 ft.

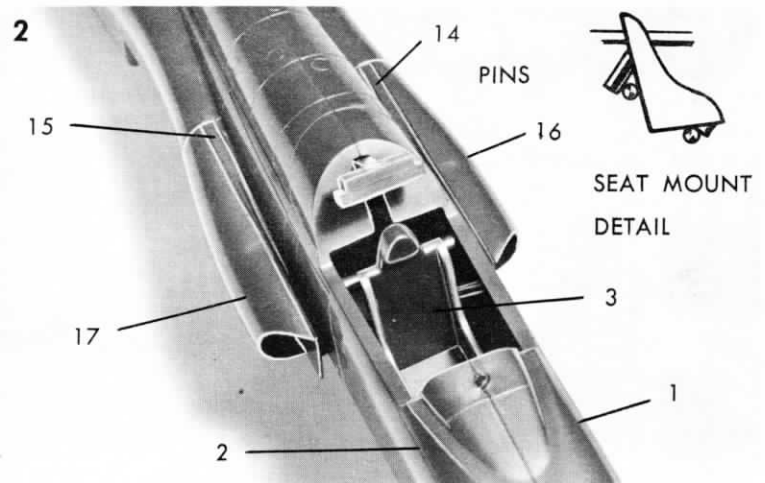
Advanced versions of the F-5 are designed with greater power and increased fuel capacity to further add to the airplane's tactical usefulness.

With extended Free World usage, the F-5 is sure to become one of the world's most famous aircraft.

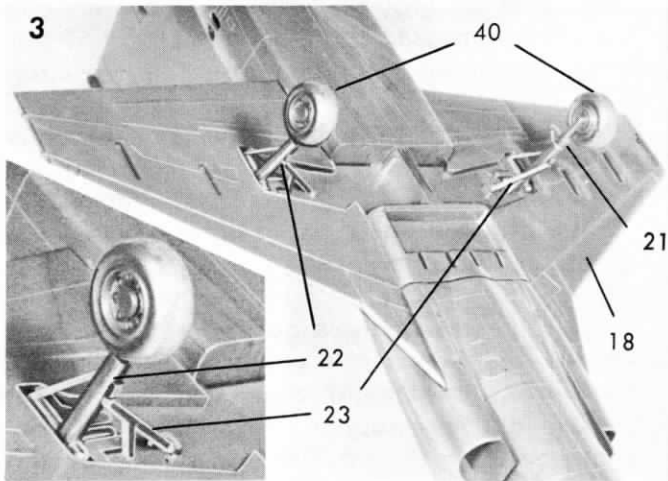
Read the instructions over **very** carefully before beginning construction. Study the parts and identify them with the pictures. **The plating must be scraped off at each glue joint or the parts will not hold together.** Use polystyrene cement for assembly and enamels for painting. Work slowly and carefully. Study the last page for markings of the USAF or RCAF versions—you choose which you want to build. **Decals must be applied at Step 4 to the wing bottom before proceeding.** This is true for both versions.



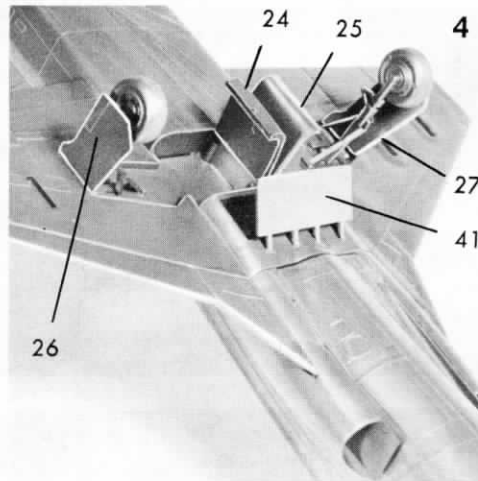
Glue nose gear strut -10- to left fuselage half -1-. Locate part -5- instrument panel and apply decal panel to it. Now glue 5 to 1 as shown. Place canopy riser arm -6- into boss in 1 with notches on the riser arm located as shown. DO NOT glue 6 to 1.



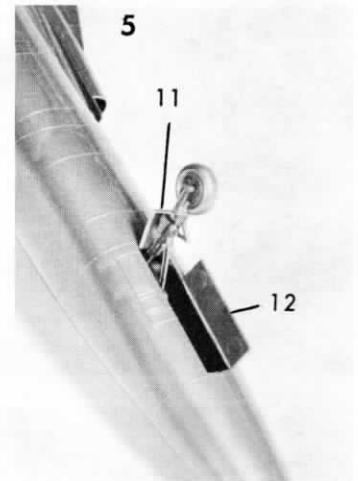
Glue fuselage halves 1 and 2 together being sure to guide the nose gear strut and canopy riser into the bosses in the side of right fuselage half -2-. Now glue left and right boundary layer channels -14 and 15- to the fuselage halves as shown. Add the scoops -16 and 17-. The pilot seat -3- can now be cemented into place as shown in the photo and in the sketch.



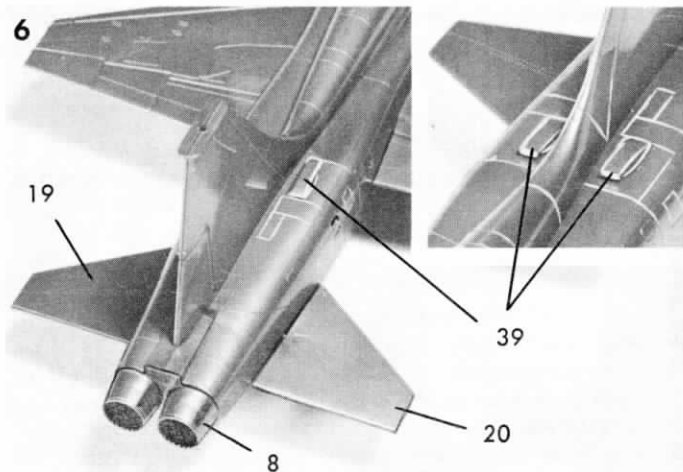
Glue the wing -18- to the fuselage. Glue the hubs and tires (paint the tires black) -40- to the struts -21 and 22-. Now glue the struts to the wing in position as shown starting with the left strut. -22-. Now add the retraction links -23- to the left and right strut assemblies.



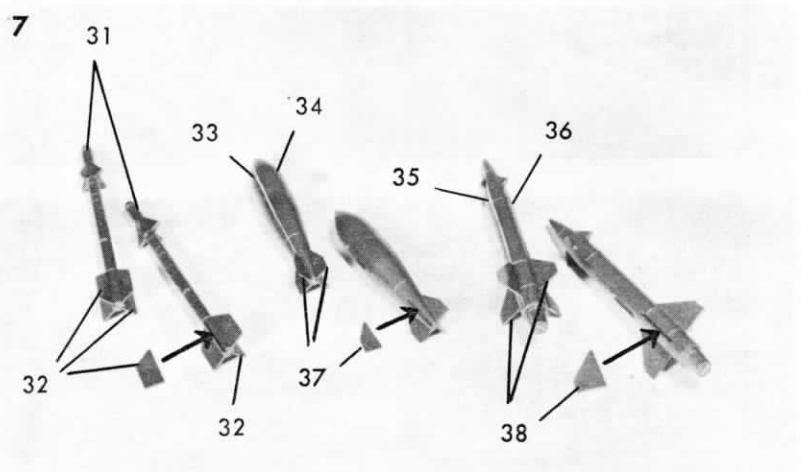
Glue the main landing gear doors -24, 25, 26, 27- in place as shown. Now add the dive brake door -41- to the fuselage. You may position it in either an open or closed position.



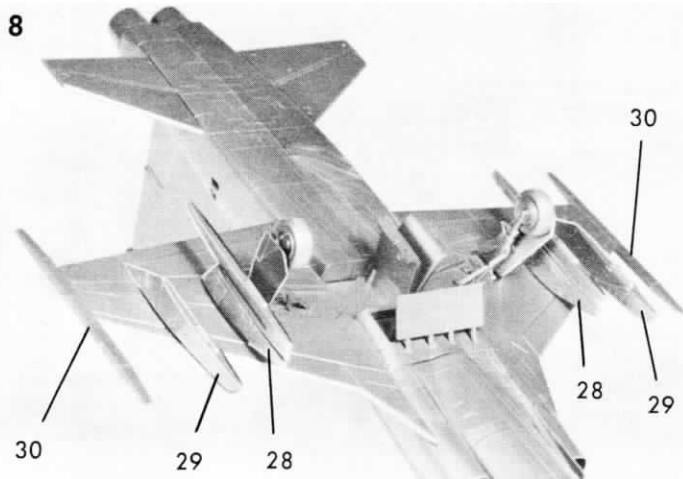
Add nose gear strut door -11- and wheel well cover door -12- to the fuselage as shown.



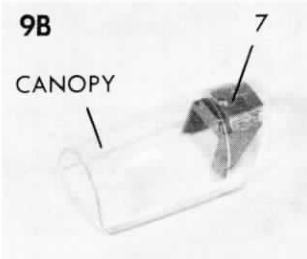
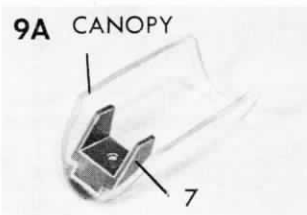
Glue the tailpipes -8- into place. Glue the left and right stabilators -19 and 20- to the fuselage. Now glue the auxiliary air intakes -39- to the fuselage where indicated. Use the engraved lines on the plastic for reference.



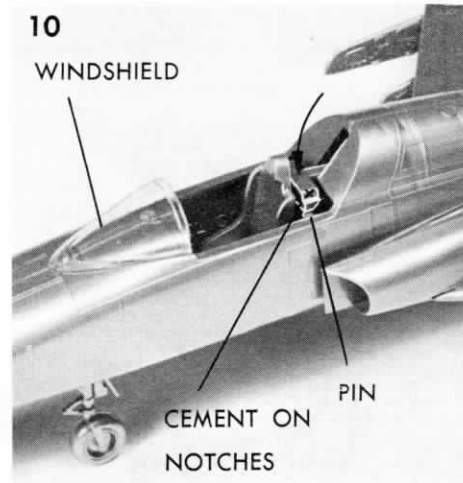
Assemble the Sidewinders, bombs, and Bullpup missiles as shown. Paint Sidewinders white. Bombs are painted dull olive drab. Bullpup missiles are white.



If you plan on painting your model, now is the time to paint the bottom surfaces of the wings white. Add the decal star to the LOWER right wing surface in the same position as shown on the upper left wing (see last page of plan). When dry cement the various pylons and launchers in position as shown.



Cement the canopy riser block -7- to the canopy as shown. Use just enough glue to hold the part together—be neat.



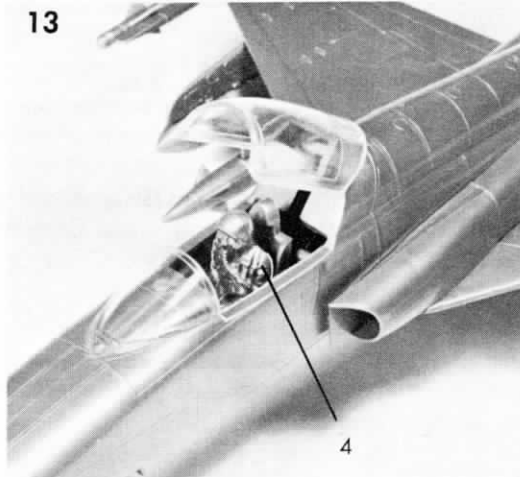
Glue the windshield in place. Push the canopy riser arm down until it rests on the pins that come off the sides of the cockpit. Now place just a drop of cement on each notch of the canopy riser arm. Get the canopy . . .



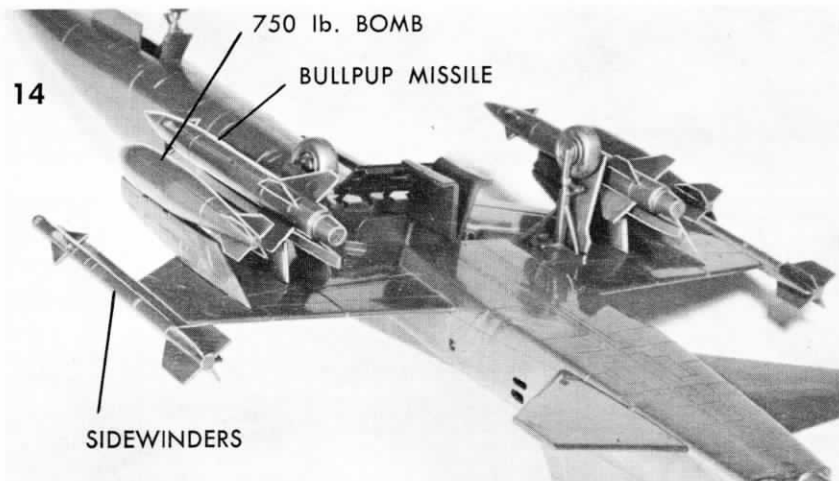
. . . and place it on the riser arm notches so that the riser block ends engage and glue to the riser arm. Shift the canopy back and forth slightly so that the gaps at front and rear are equal.



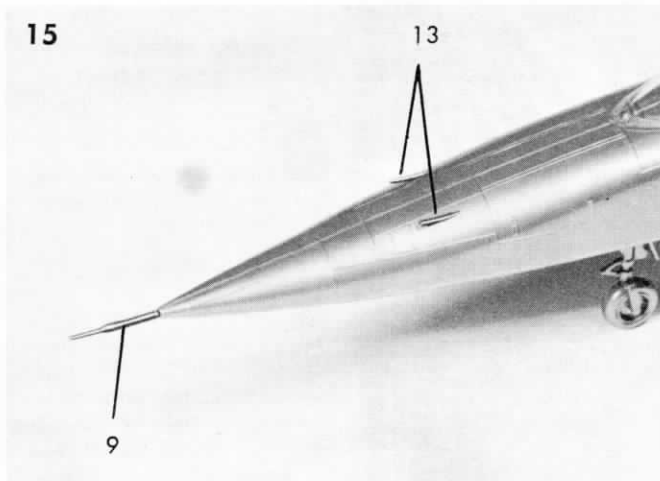
This is how the canopy riser block, riser arm, and canopy will look when properly installed. Allow to dry—with the canopy closed as shown in Step 11—before handling the model to prevent getting the canopy out of alignment.



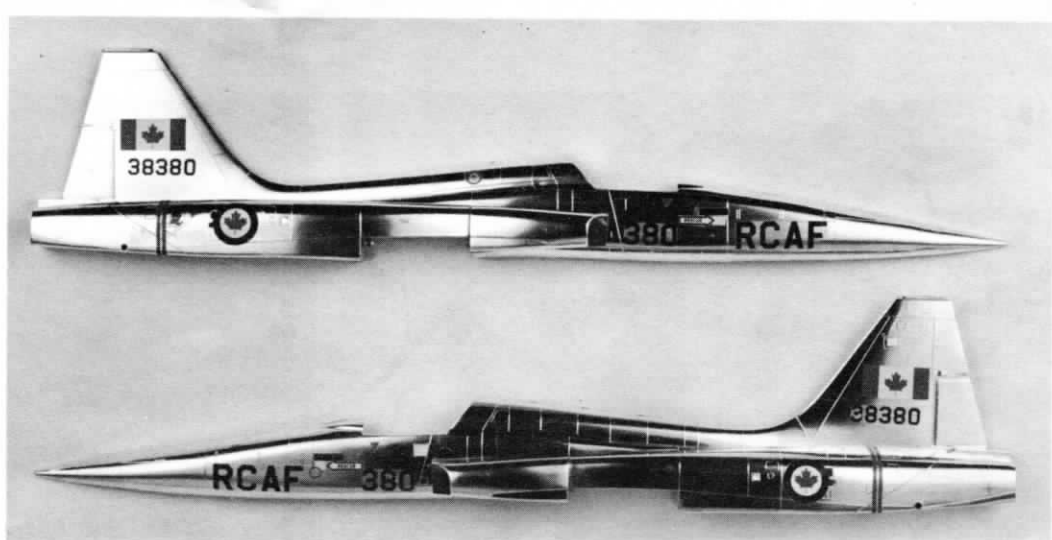
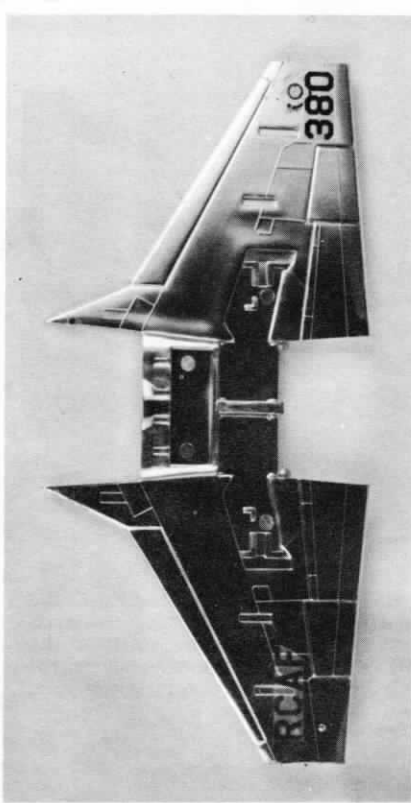
Paint the pilot: helmet white; face flesh; suit and oxygen mask blue-green; helmet visor dark gloss green; straps green; oxygen hose, gloves, and shoes black. Paint the seat head rest red. Install the pilot in the seat.



Now glue the missiles and bombs to the pylons as shown. Notice how the "V" ridges of the pylons engage the "V" grooves of the bombs and missiles for proper positioning.

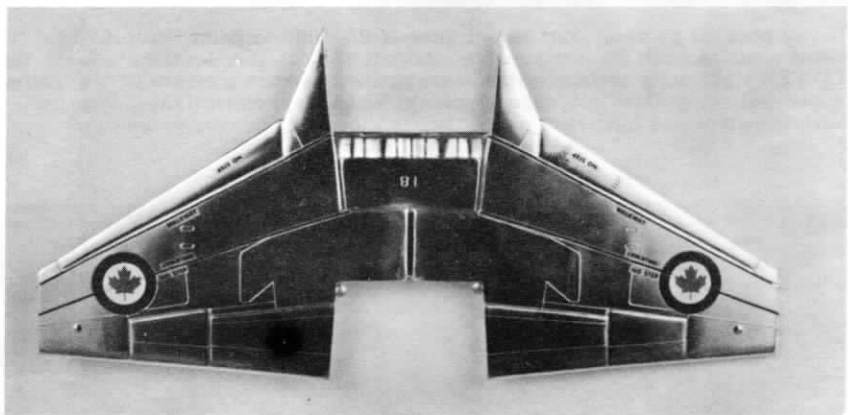


Cement the guns -13- and the pitot tube -9- to the model as shown. Set the entire model aside for a short time to allow it to dry before proceeding with finishing.



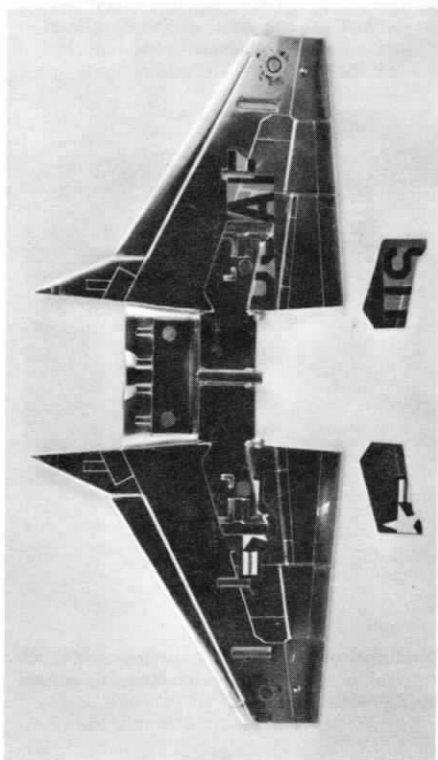
Follow the photographs on this page for decal placement. Walkway stripes, walkway and no step signs are the same for both versions—see photo on the right.

ROYAL CANADIAN AIR FORCE



The anti-glare panel on the top of the fuselage forward of the windshield is painted flat black. The 2-tone blue colored cockpit fairing and fin leading edge stripe on the Canadian version—see box cover—is not on operational Canadian F-5 airplanes.

UNITED STATES AIR FORCE



U.S. AIR FORCE 38380

U.S. AIR FORCE 38380

FA-380 USAF 380

FA-380 USAF 380

RCAF USAF 380



NO STEP

NO STEP

NO STEP

NO STEP

NO STEP

NO STEP

WALKWAY

WALKWAY

WALKWAY

WALKWAY



RCAF

RCAF

74052

- INSTRUCTIONS -

1. CUT SHEET INTO INDIVIDUAL DECALS WITH SCISSORS.
2. ONE AT A TIME, AS NEEDED, DIP EACH DECAL IN WARM WATER FOR 10 SECONDS.
3. REMOVE & WAIT 60 SECONDS FOR DECAL TO RELEASE FROM PAPER.
4. SLIDE DECAL OFF BACKING PAPER INTO POSITION ON MODEL
(REFER TO PLAN FOR CORRECT LOCATION)
5. WITH MOISTENED FINGER, PRESS DOWN & SMOOTH OUT AIR BUBBLES AND EXCESS WATER.
6. ALLOW TO DRY OVERNITE.

NOTE: THESE DECALS HAVE BEEN ESPECIALLY DESIGNED TO BE FLEXIBLE ENOUGH TO STRETCH OVER PROTRUSIONS & AROUND COMPOUND CURVED SURFACES.

HAWK MODEL CO.
4600 N. OLCOTT
CHICAGO, ILLINOIS
60656

NORTHROP F-5A
KIT NO. 213-200

Made in U. S. A.