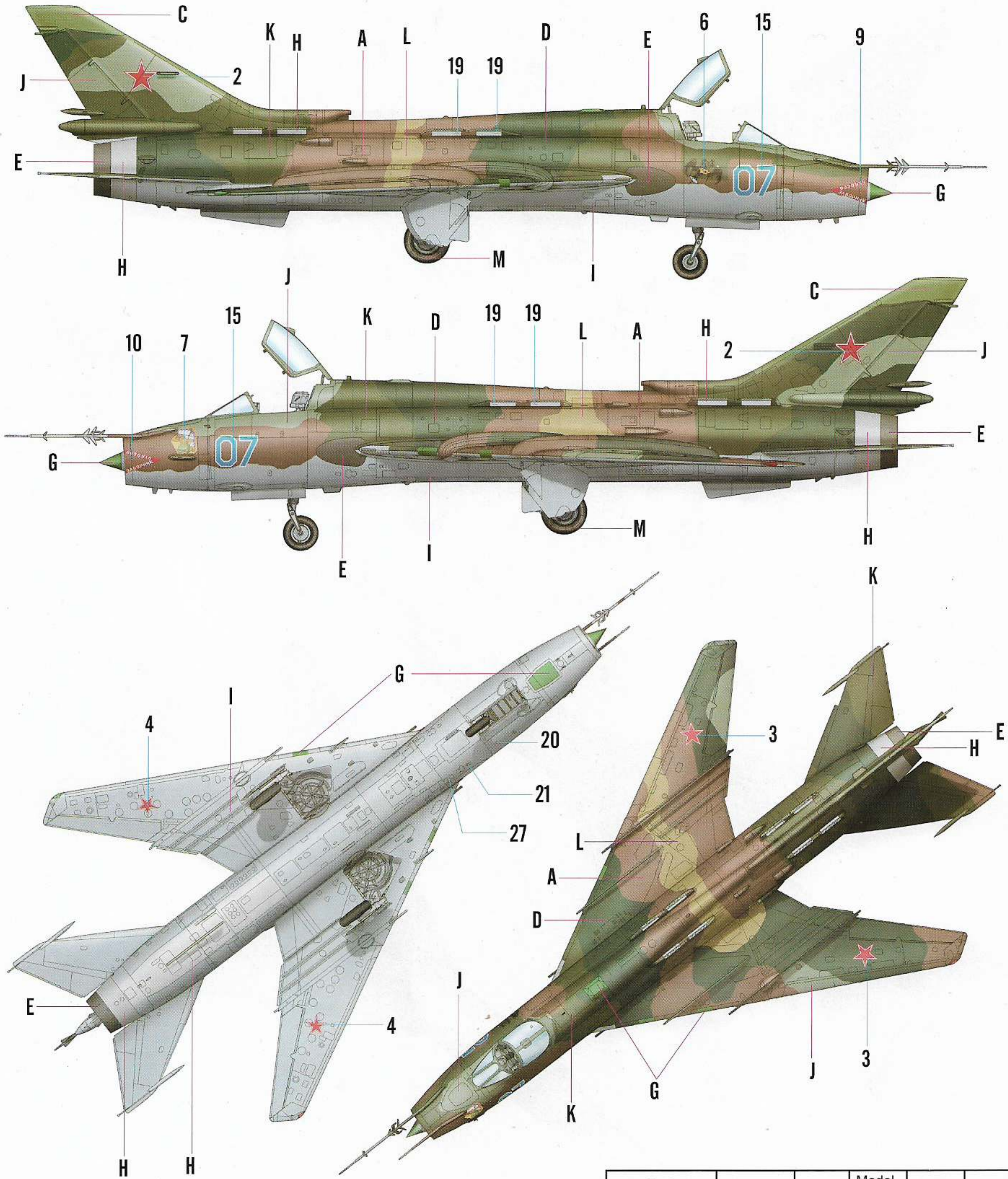


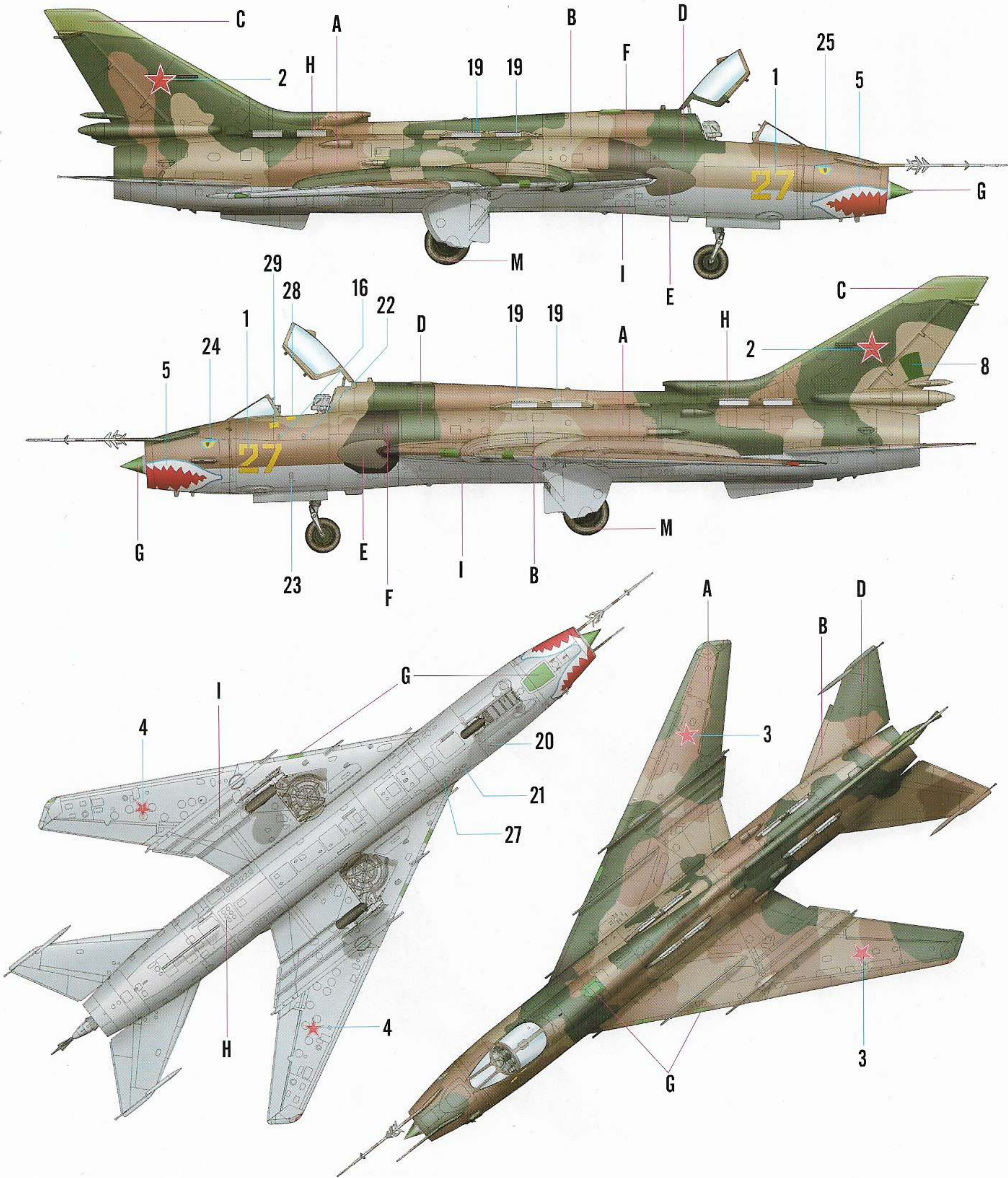
II Su-17M4R, 886th ORAP, Bagram Air Base, Afghanistan, December, 1998



Color	Mr.Hobby	Vallejo	Model Master	Tamiya	Humbrol
G 浅绿色 Bright Green	H 26 66	906	--	XF21	27
H 银色 Silver	H 8 8	997	1546	X11	11
I 浅灰蓝 Gray Blue	H 337 337	--	1721	XF20	145

Color	Mr.Hobby	Vallejo	Model Master	Tamiya	Humbrol
J 绿色 Green	H 312 312	--	1716	--	120
K 浓松叶色 Dark Green	H 320 320	895	--	XF26	30
L 黄褐色 Tank	H 27 44	981	--	--	9
M 胎黑色 Tyre Black	H 77 137	--	--	--	--

I Su-17M4, Yellow '27', 20th GvAPIB, Templin (Gross Dölln) Air Base, April 5, 1994



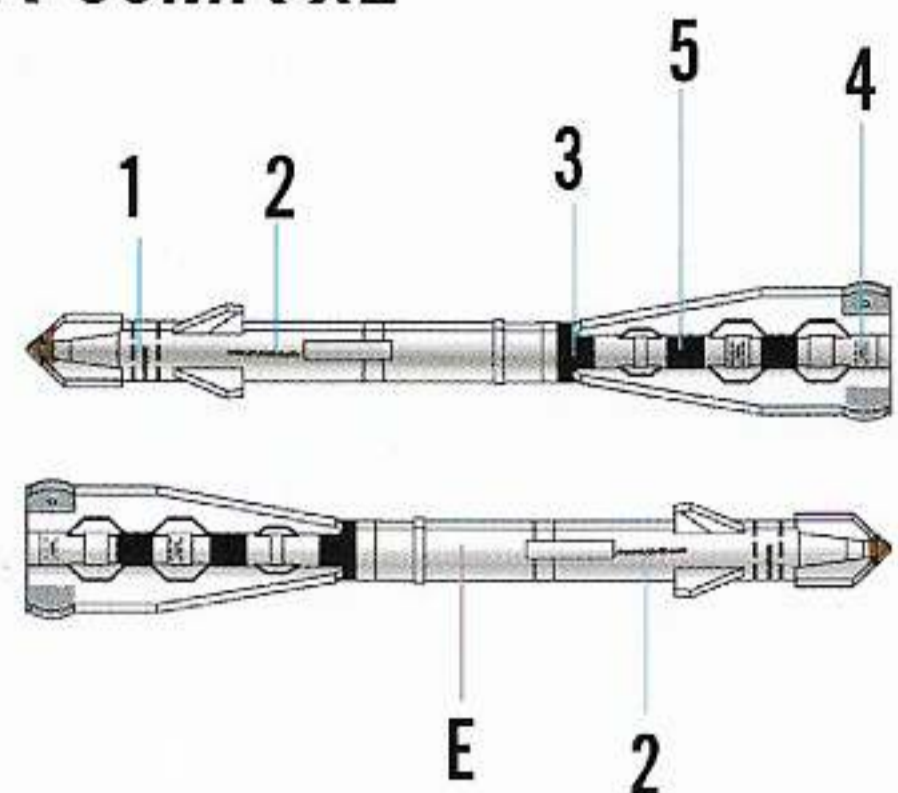
Color	Mr.Hobby	Vallejo	Model Master	Tamiya	Humbrol	Color	Mr.Hobby	Vallejo	Model Master	Tamiya	Humbrol
A 红棕色 Red Brown	H[47 41]	934	--	X27	--	D 橄榄色 Olive Drab	H[304 304]	887	1711	XF62	155
B 深土色 Dark Earth	H[72 22]	873	1702	XF52	29	E 烧铁色 Burnt Iron	H[76 61]	863	1795	X10	53
C 绿色 Dark Green	H[302 302]	895	1764	XF96	149	F 消光黑 Flat Black	H[12 33]	950	1749	XF1	33

NO.:81758

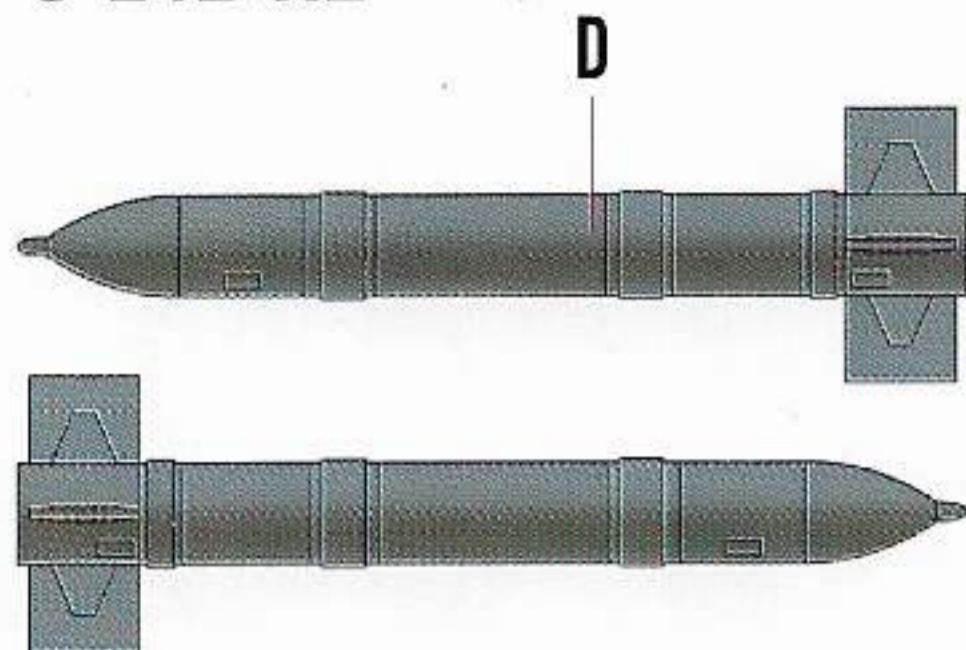
※Some paints may not be available in your country. Please check your local hobby shop for substitute



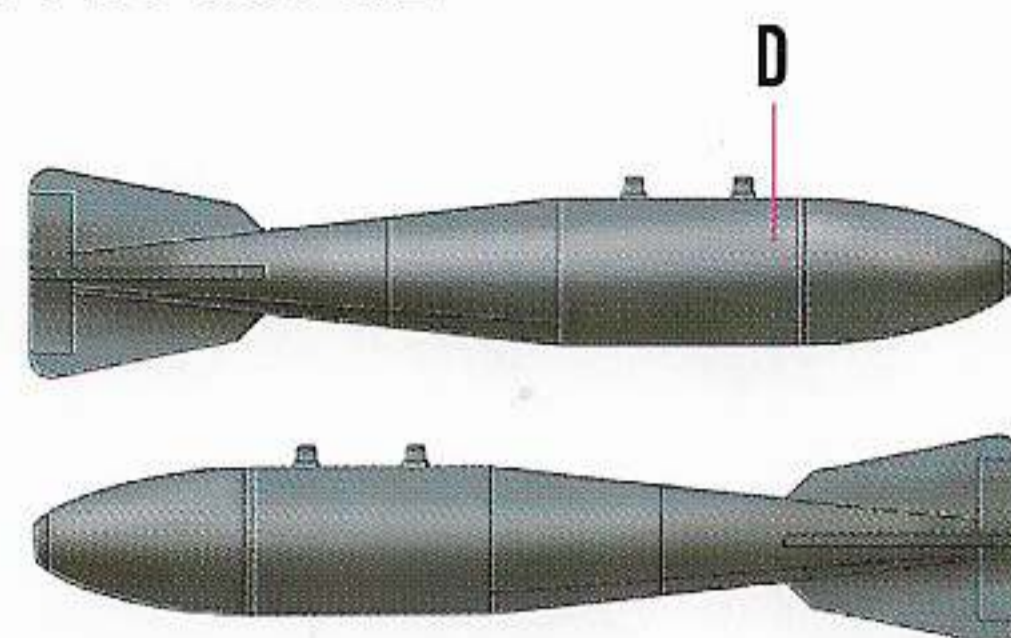
R-60MK x2



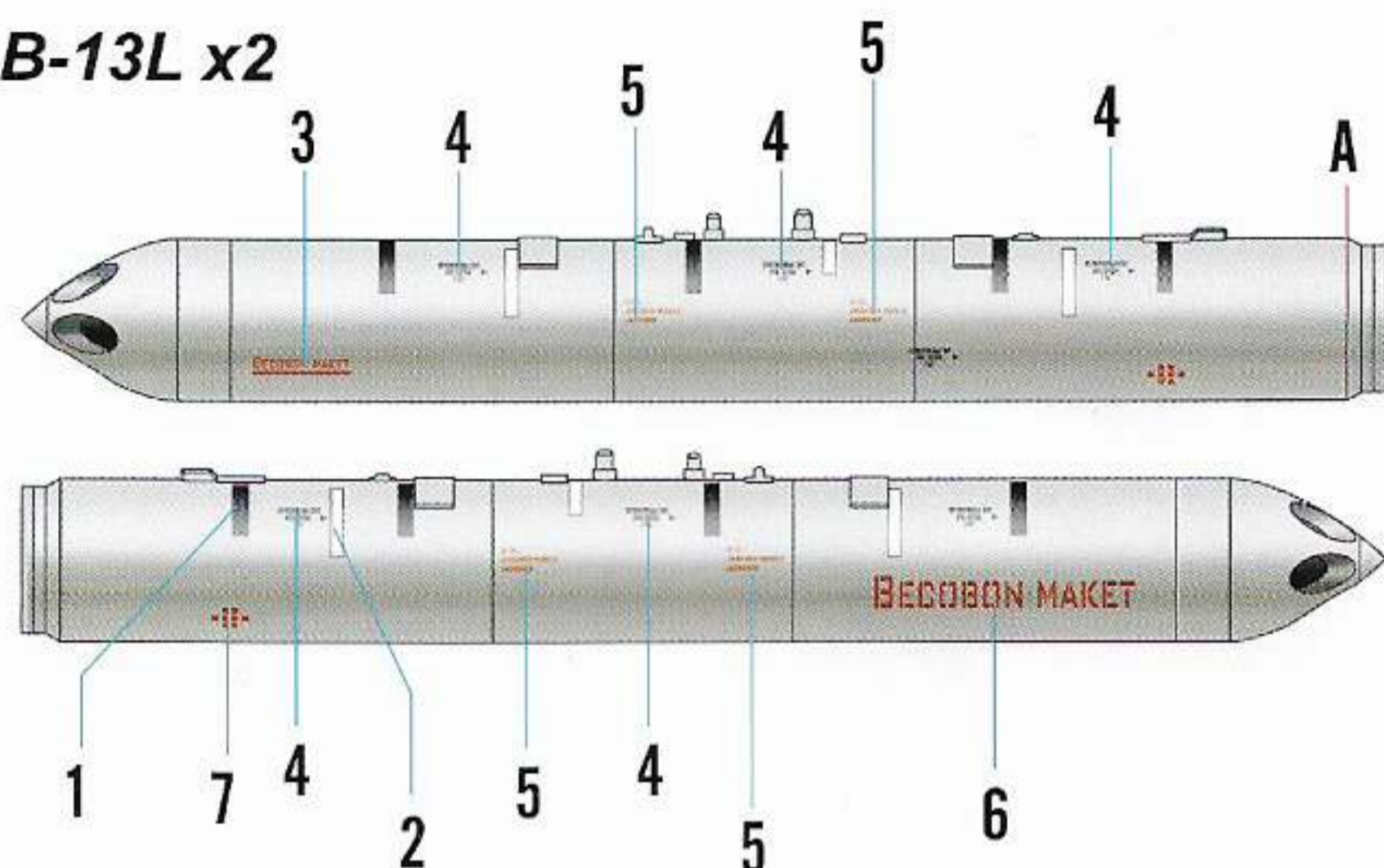
S-24B x2



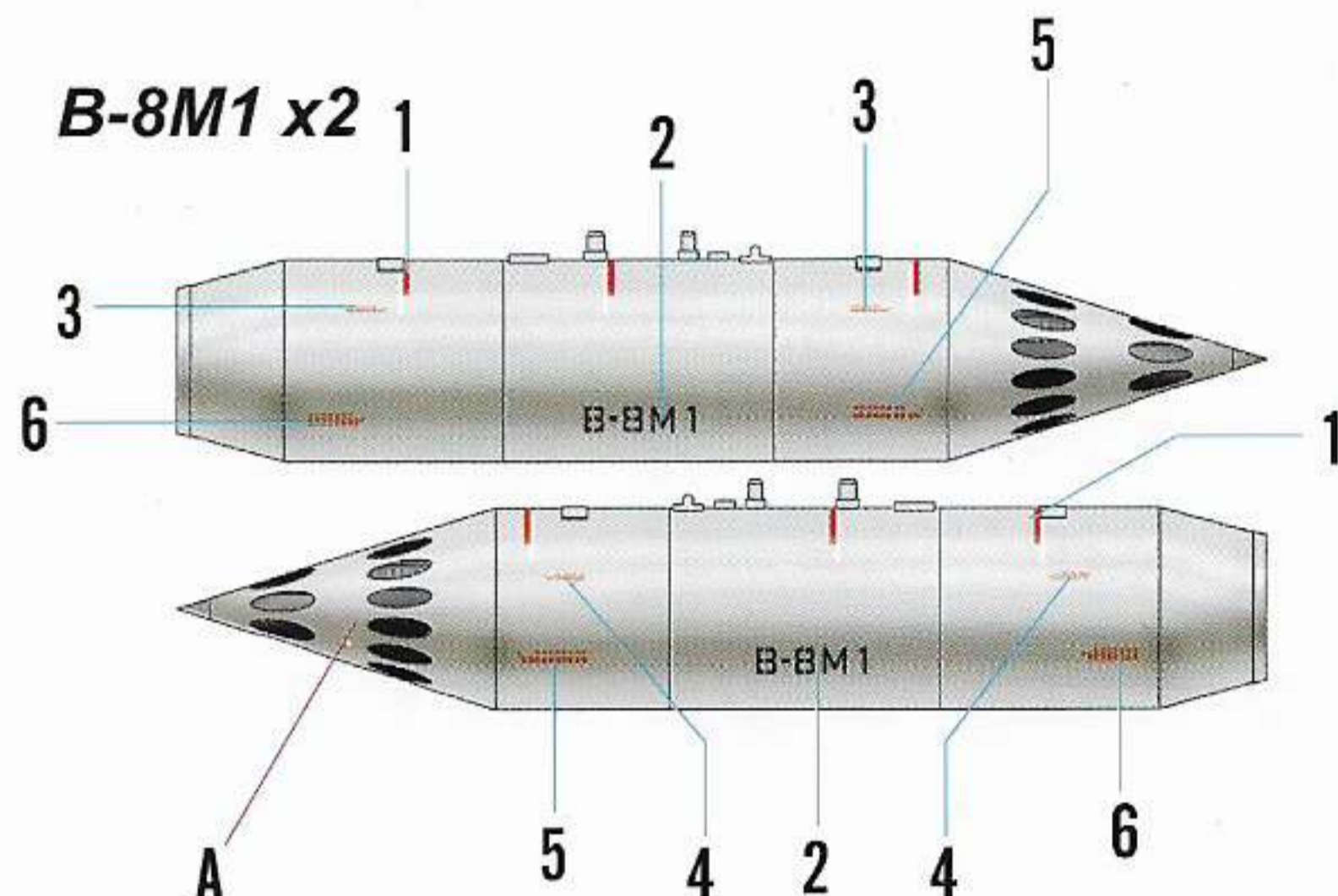
FAB-500 x2



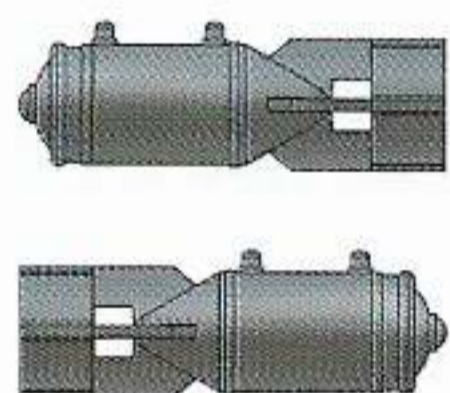
B-13L x2



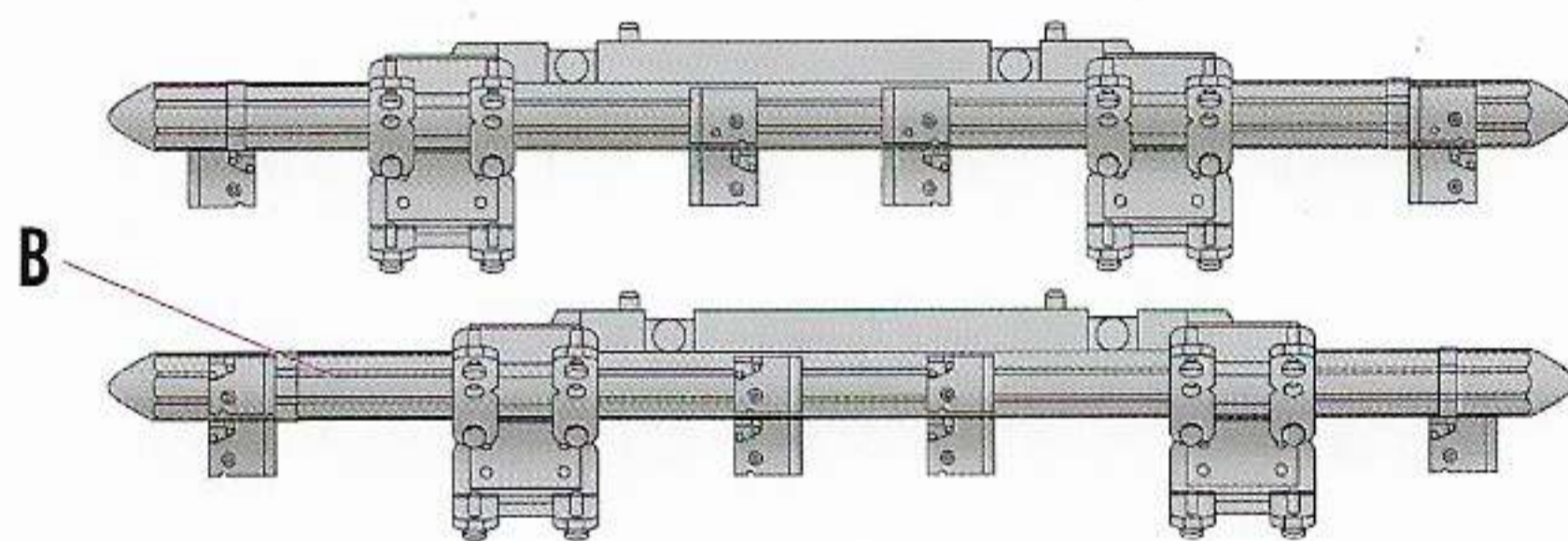
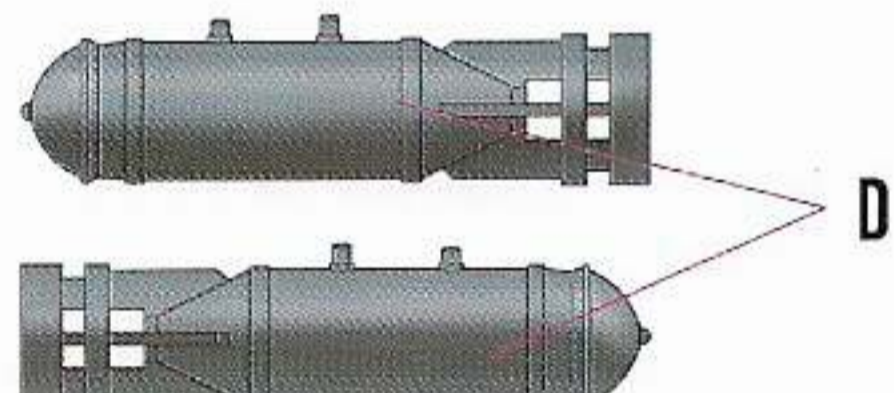
B-8M1 x2



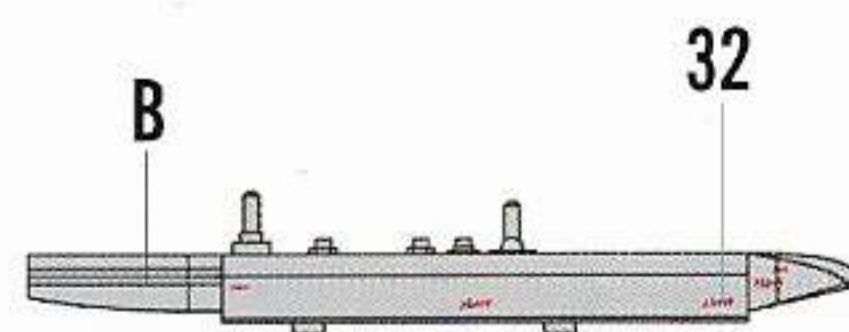
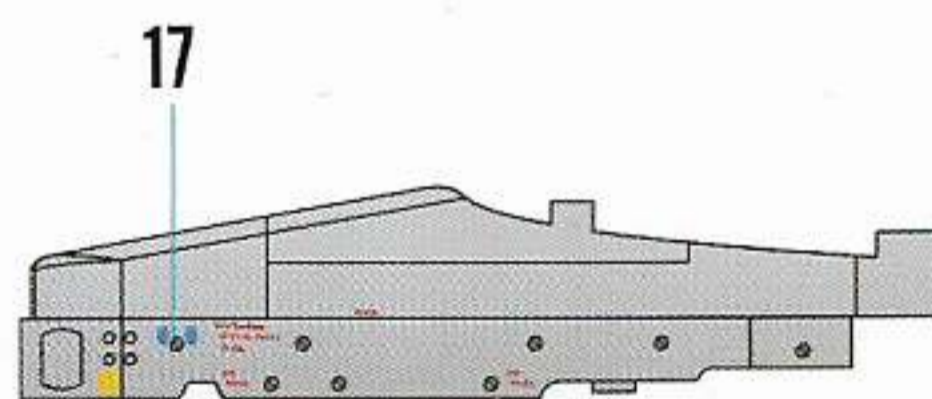
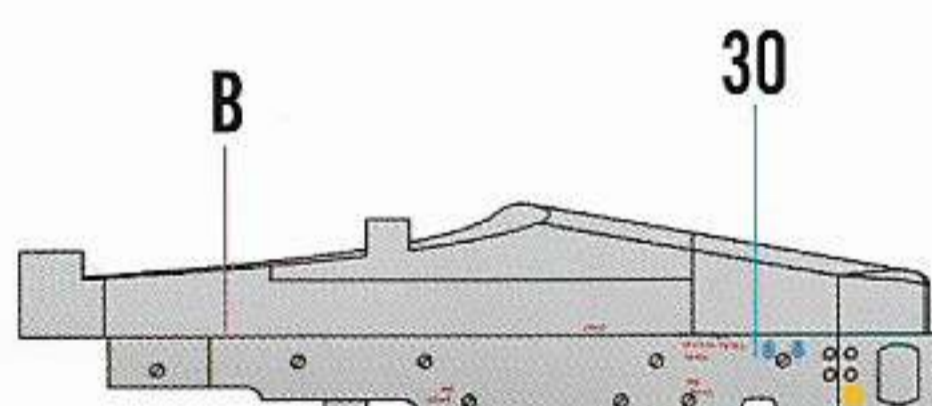
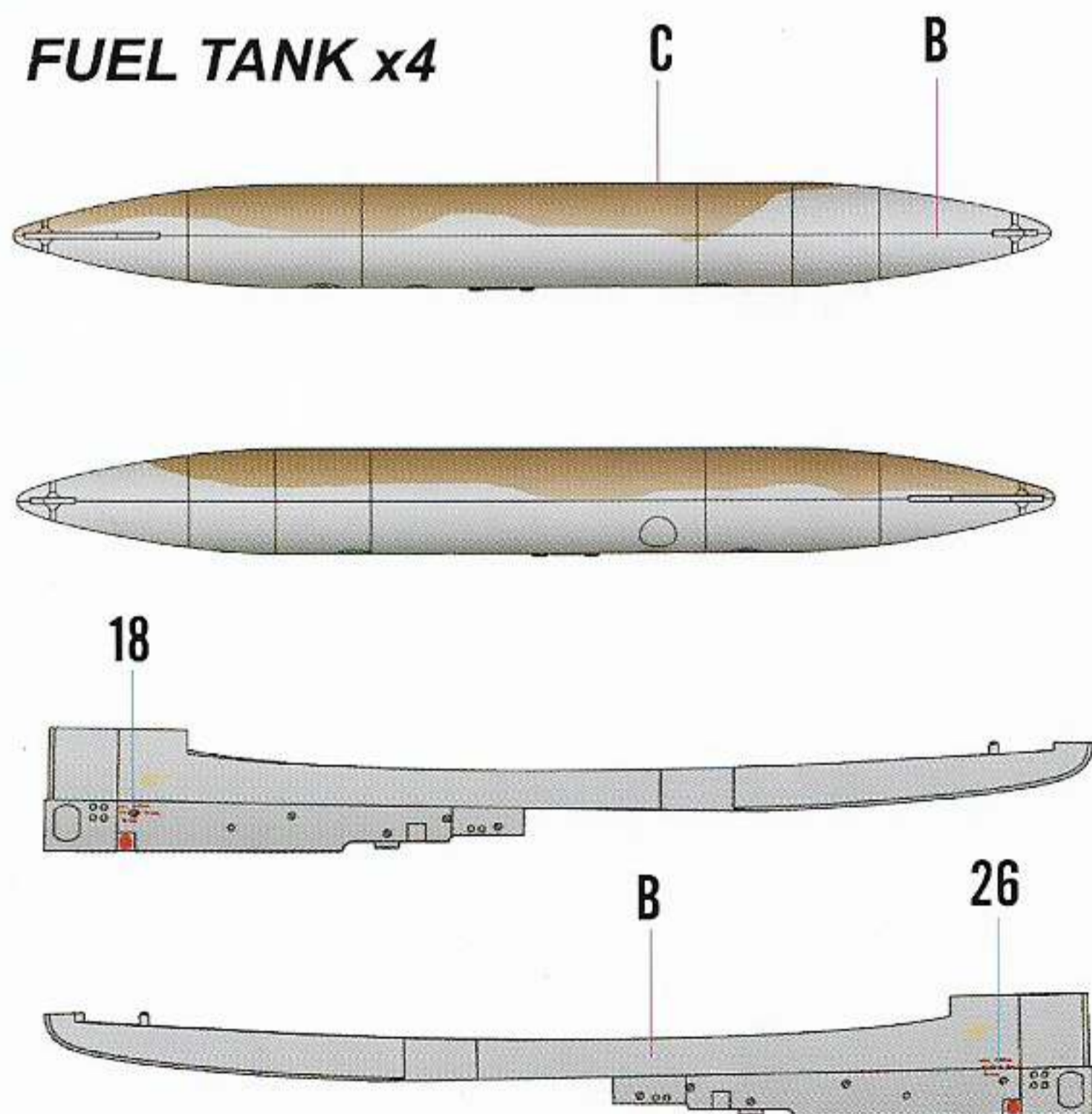
AB-100 x12



AB-250 x2



FUEL TANK x4



Color	Mr.Hobby	Vallejo	Model Master	Tamiya	Humbrol
A 银色 Silver	H 8 8	997	1546	X11	11
B 浅灰兰 Gray Blue	H 337 337	--	1721	XF20	145

Color	Mr.Hobby	Vallejo	Model Master	Tamiya	Humbrol
C 深土色 Dark Earth	H 72 22	873	1702	XF52	29
D 灰色 Medium Grey	H 306 306	870	1725	XF20	--
E 白色 White Insignia	H 316 316	991	1745	X2	22

27₁



27



07



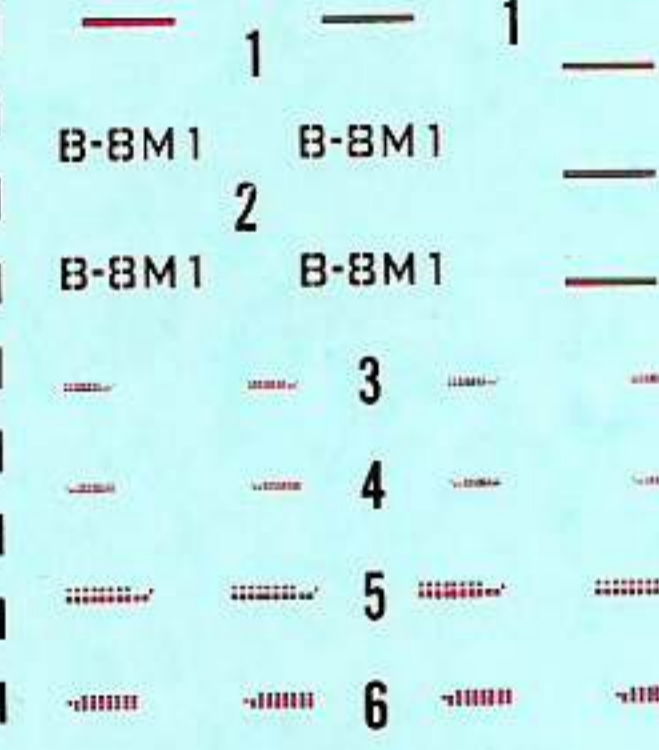
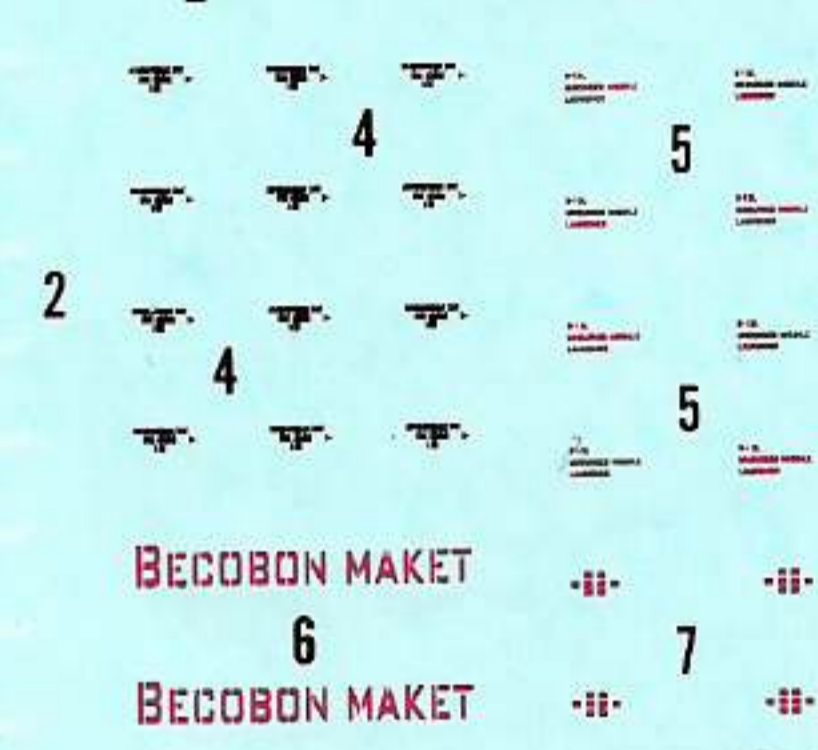
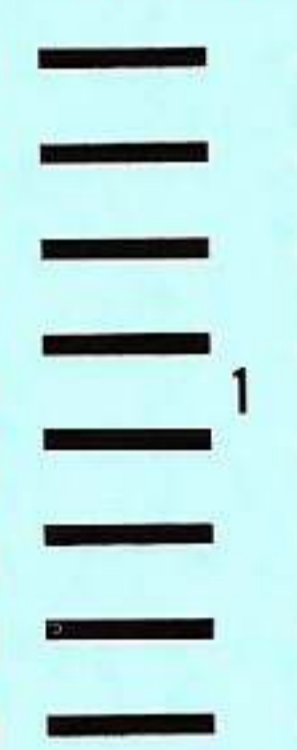
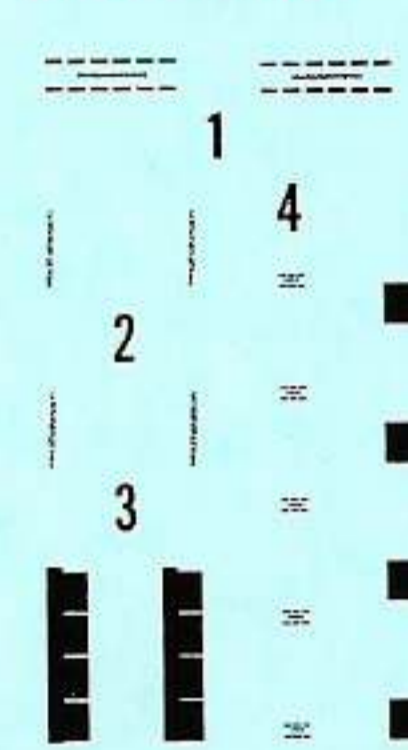
07



R-60MKx2

B-13Lx2

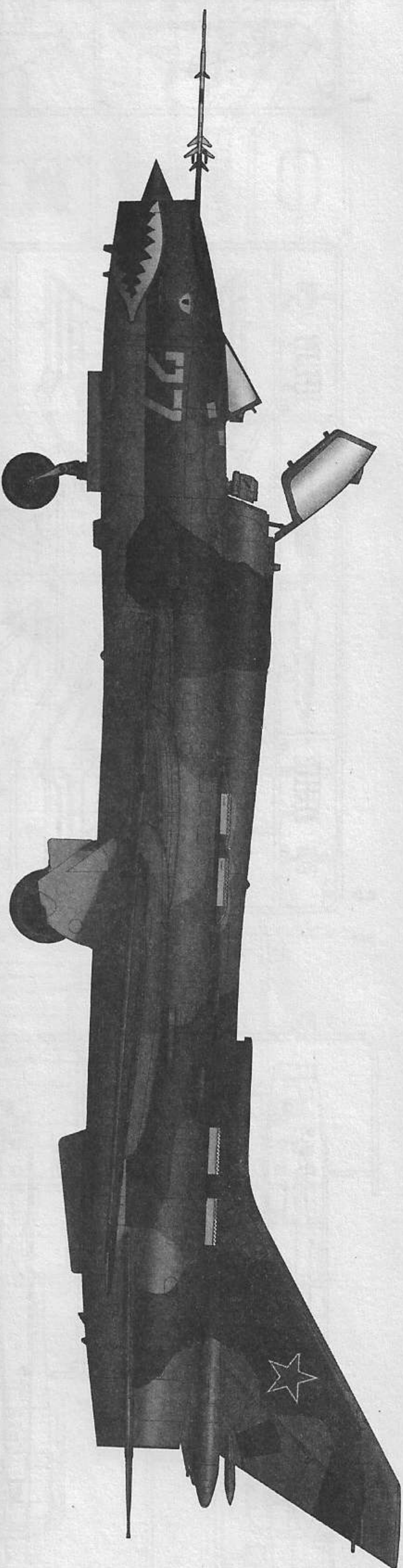
B-8M1x2



1:48 Scale Su-17M4 Fitter-K NO.:81758

1:48 Scale

Item No.:81758



SU-17M4 Fitter-K

SU-17M4 “装配匠-K” 战斗轰炸机

PLEASE READ BEFORE OPERATION!

* Tools recommended as below: (Not Included)

Adhesives: Paints; Side Cutters; Sharp Edged Pliers; Modeling Knife; Modeling File; Nippers; Drill; Scissors; Sand Paper; Soft Cloth; Cyanoacrylate Glue.

- * Make sure to read this instruction listed below before assembling.
- * The kit contains the small parts, they can be dangerous if swallowed by mistake, so keep them away from reach of children.
- * Cut the all parts off carefully and remove the waste parts into the garbage can.
- * More caution and care should be needed for cutting and handling the photo etched parts.
- * Make attention that some parts should be attached the decal when assembled.
- * During assembling, please tear up and throw away the plastic bags, or may cause the dangerous if wearing over head by children's mistake.
- * When using the adhesives and paints, please do not use them in the closed room or near the fire, also must be very careful to protect your eyes, face and clothes.
- * Adult supervised when assembled by children under 14 years old.

装配前请仔细阅读:

* 推荐使用的模型工具(请自备):

专用模型胶水, 专用模型油漆, 水口剪刀, 长咀钳, 刀片, 镊子钳, 钻, 剪刀, 软布, 砂纸, 瞬间快干胶等。

- * 用水口剪刀或刀片小心切下所有塑胶零件和蚀刻片零件, 不要遗失小零件。
- * 切取蚀刻片时应特别注意防止利边划伤手指。
- * 用模型镊刀小心钳平所有零件表面的注射浇口。
- * 用适量的强力快干胶水粘合蚀刻片零件和金属轴, 切忌过量, 否则可能导致可动零件被粘住。
- * 注意某些零件表面需在装配时同步贴上水贴纸。
- * 制作时应远离幼儿并将包装袋及时收妥, 谨防小孩玩耍而引起意外。

The method to apply the decals

1. Cut off the decal from the decal paper and put it into the warm water 40℃ for 10 seconds.
2. Take the decal from the water and put it on a piece of clean cloth.
3. Remove the decal slowly from the paper to the targeted location by a wet finger.
4. Use a piece of dry and soft cloth to press it gently on the decal until it getting dry and no bubble existing.

水贴纸的使用方法:

- 一. 把相关的印花从水贴上剪下, 放入40℃左右的温水中浸10秒。
- 二. 然后将印花放在干净的布上。
- 三. 拿上印花纸版, 手指蘸水将印花移到适当的位置。
- 四. 用软干布轻压印花直至水干, 气泡消失。



cyanoacrylate glue
强力胶



weight
配重



make hole
钻孔



cut / remov
切除



option
选择



no cement
不涂胶水



decal
贴纸



bend
弯曲

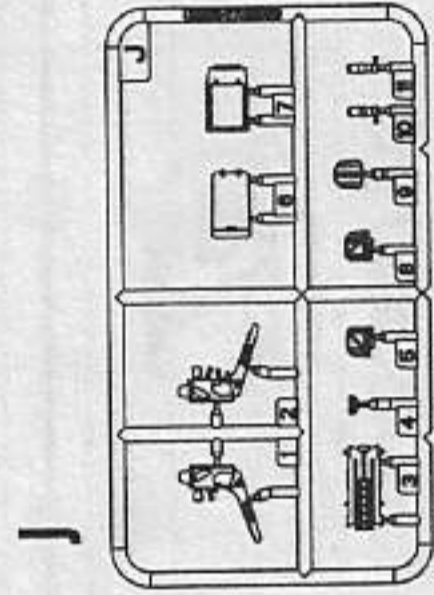
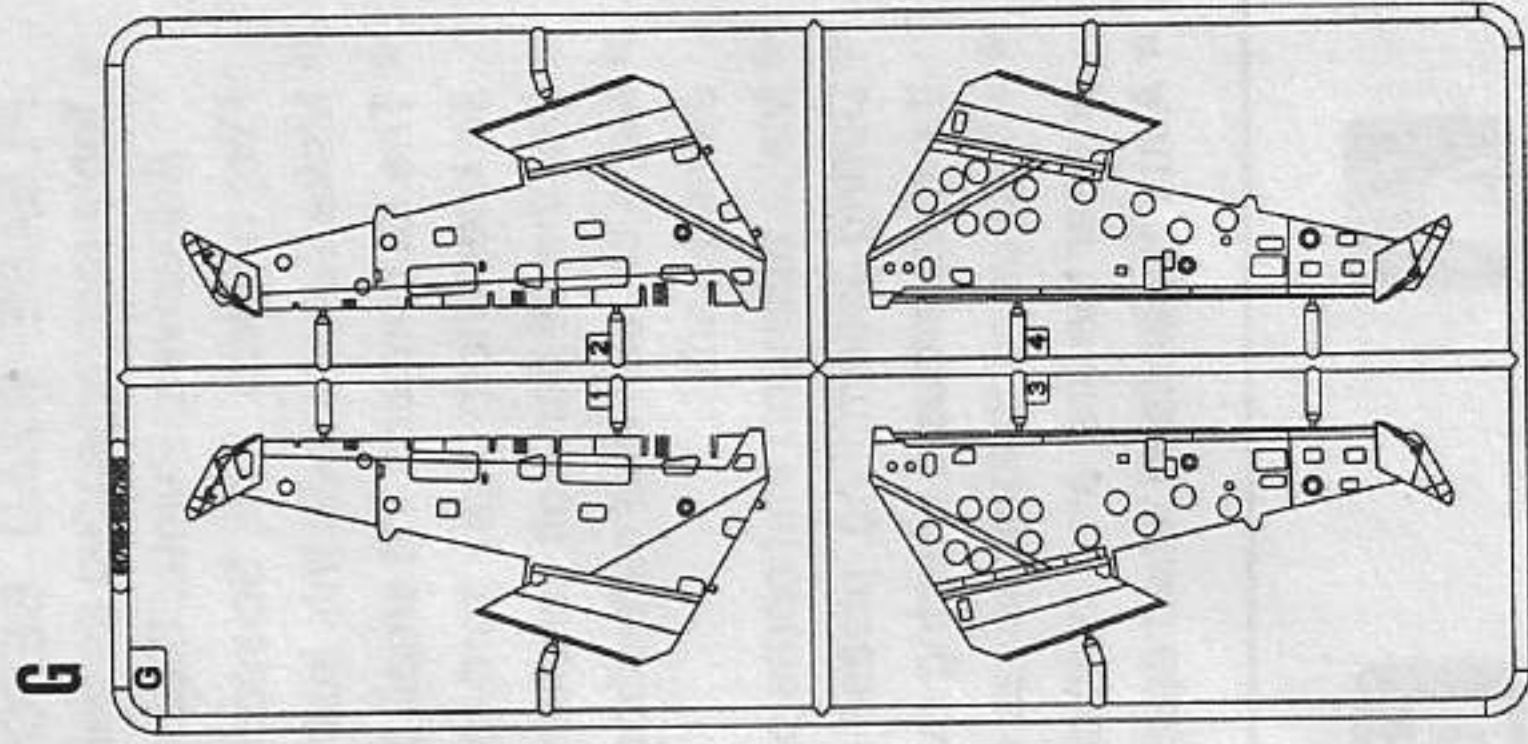
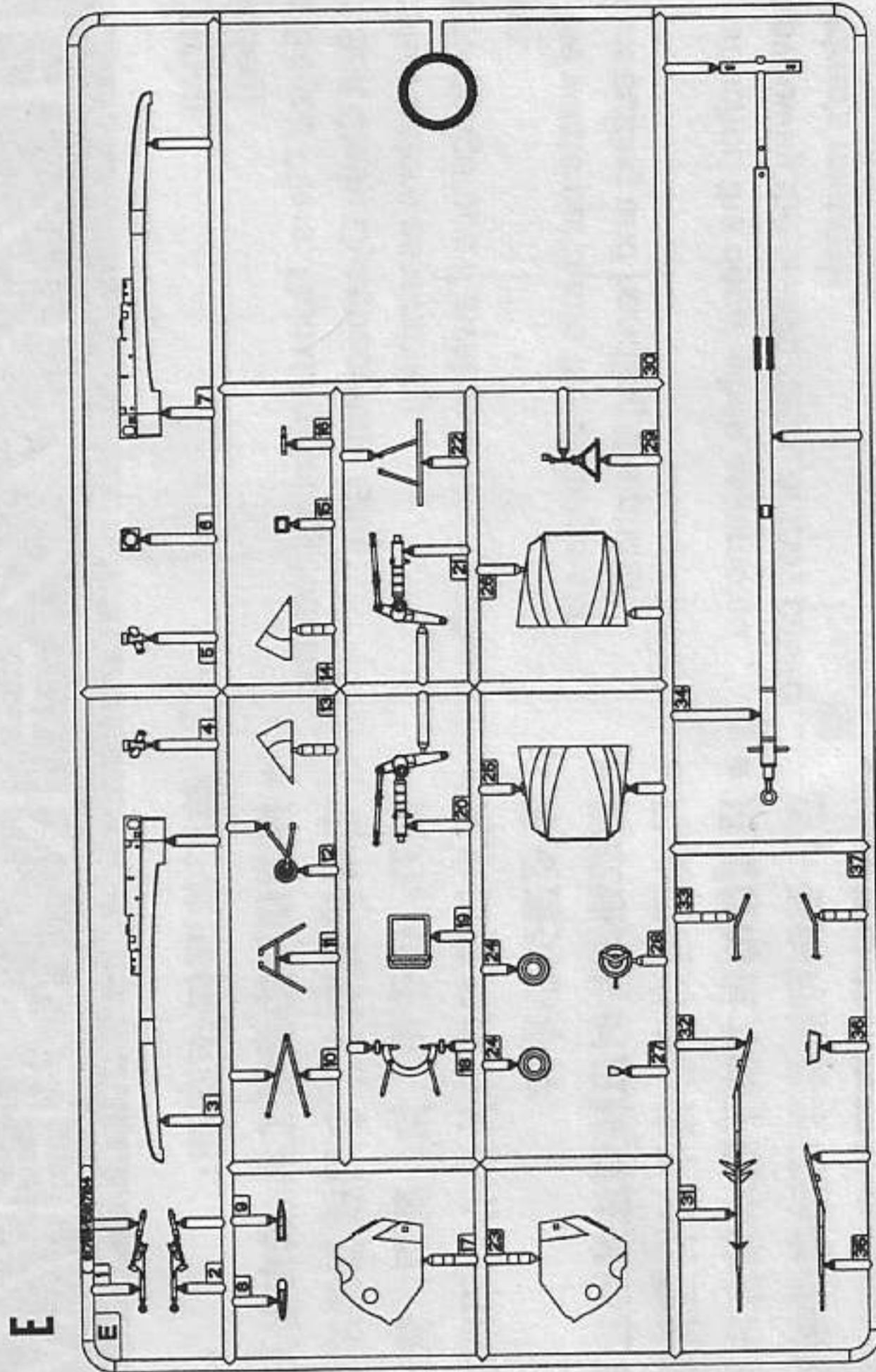
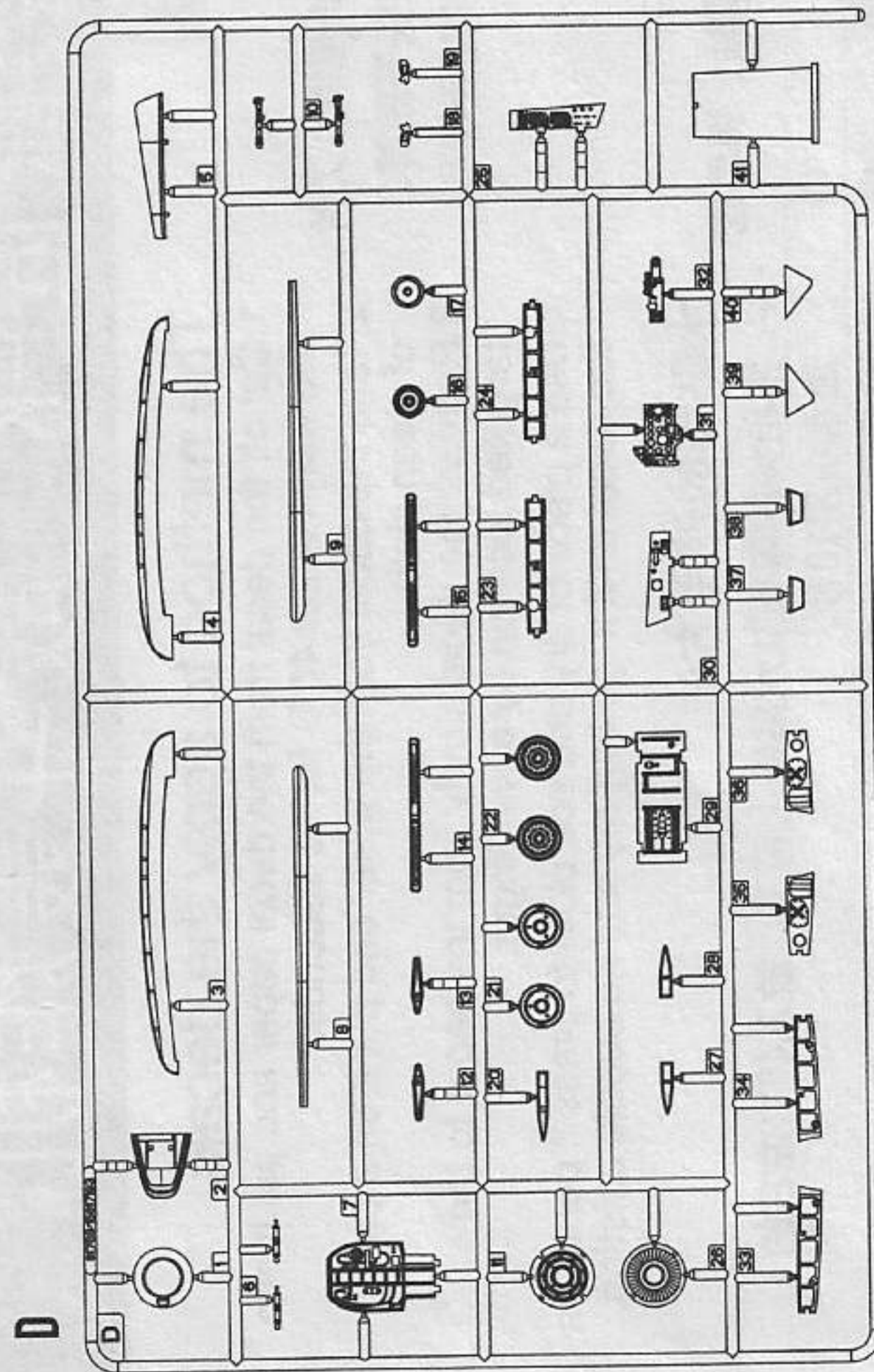
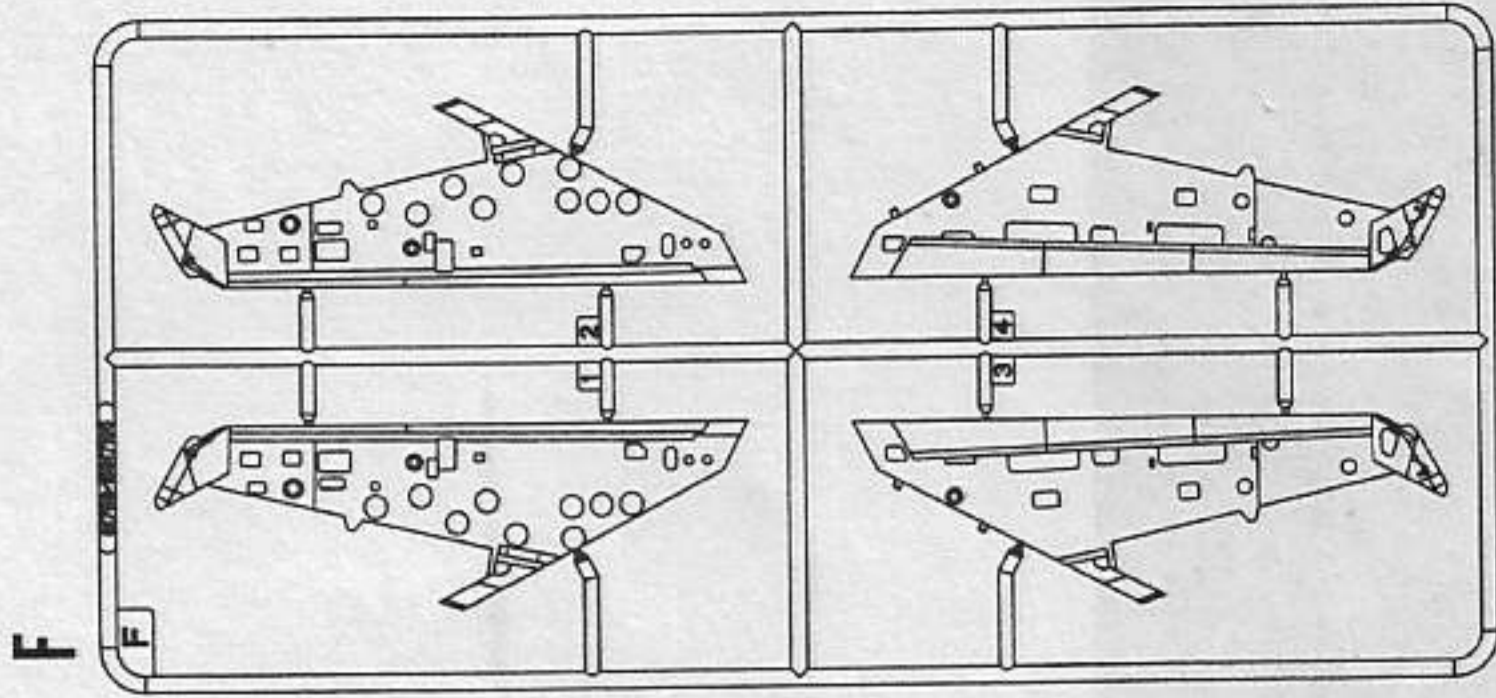
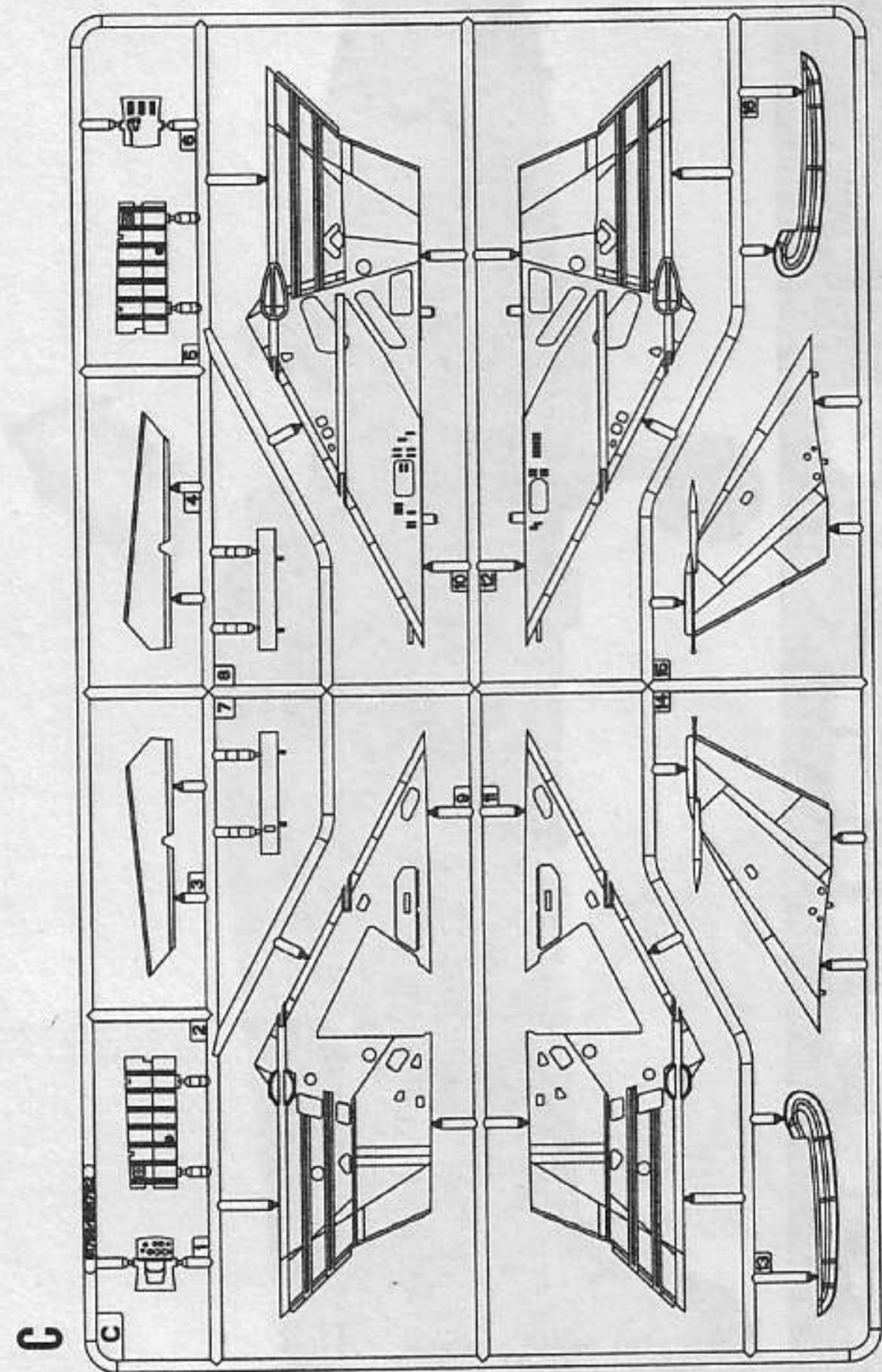
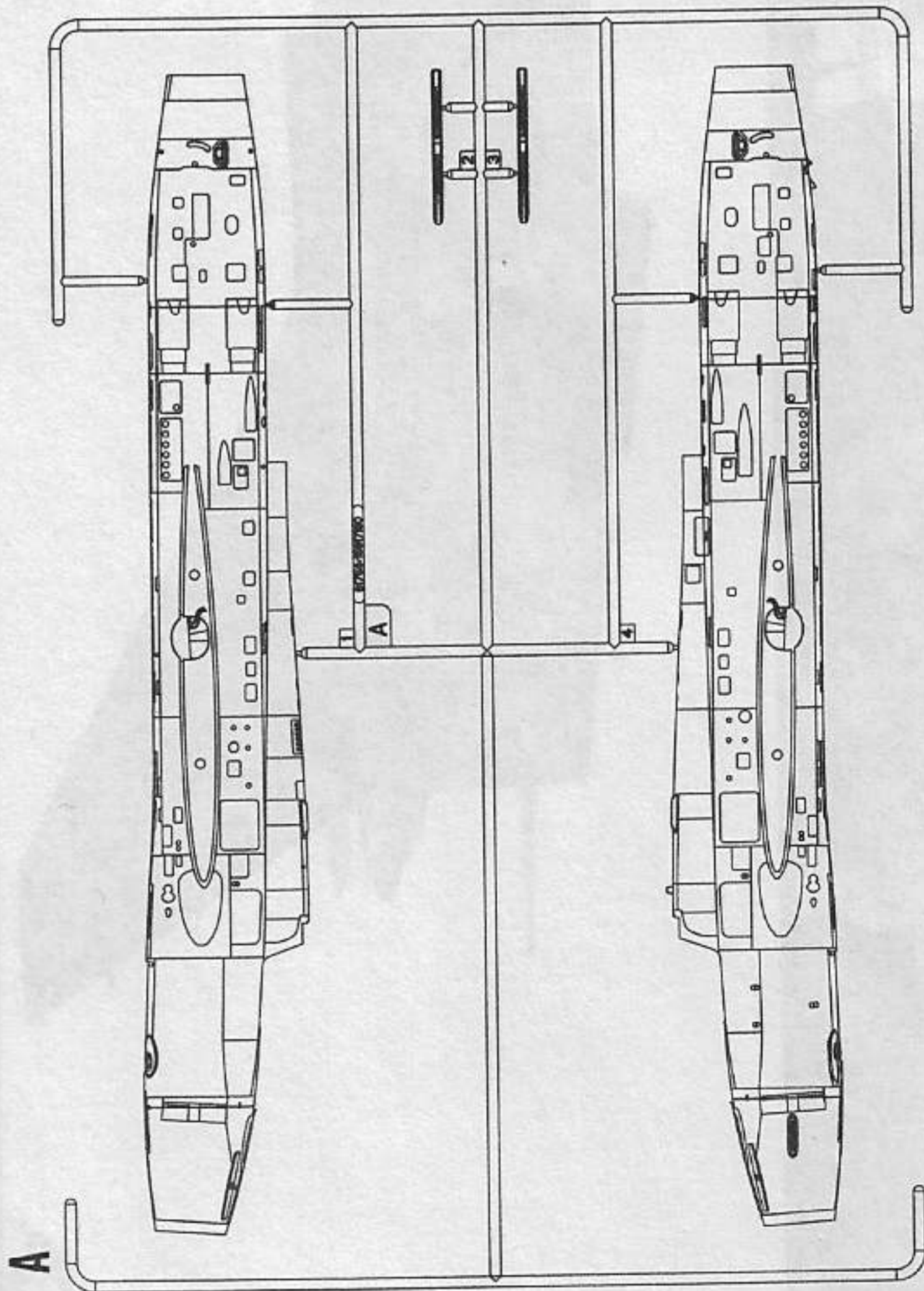


repair
填补



install it first
先装

部品图 Parts

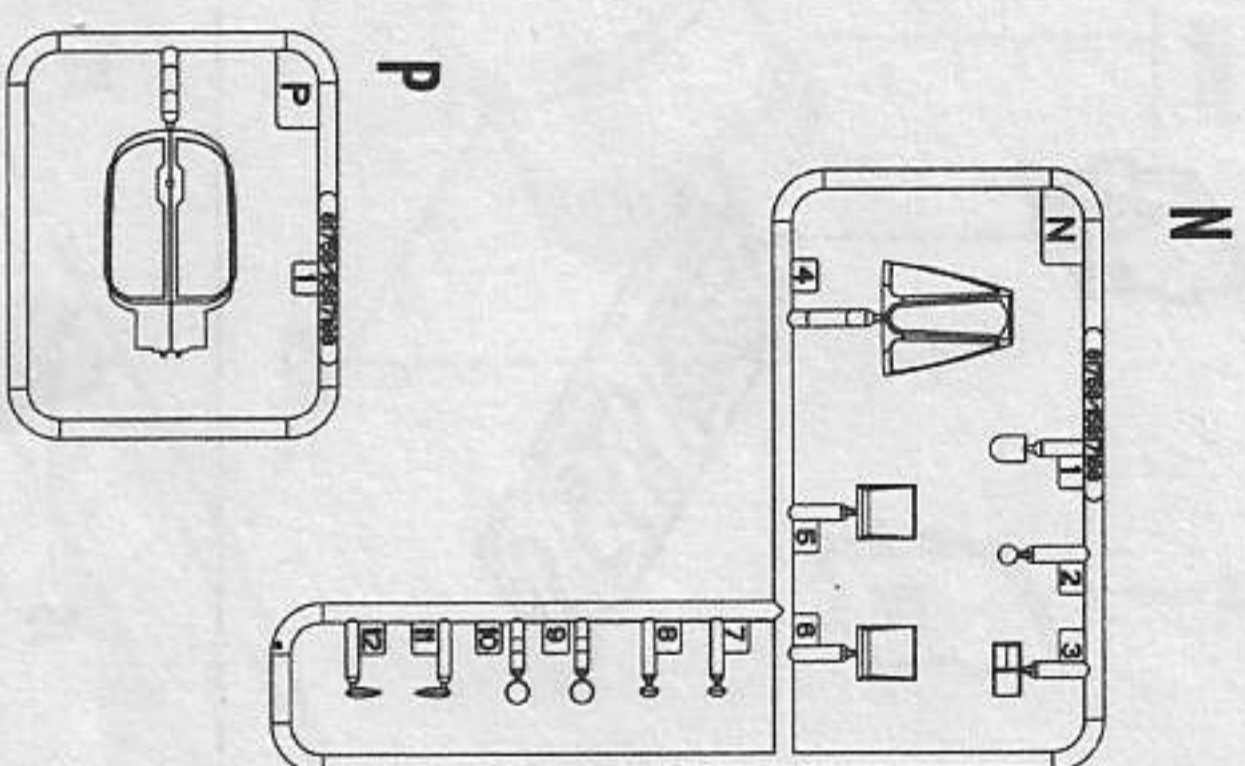
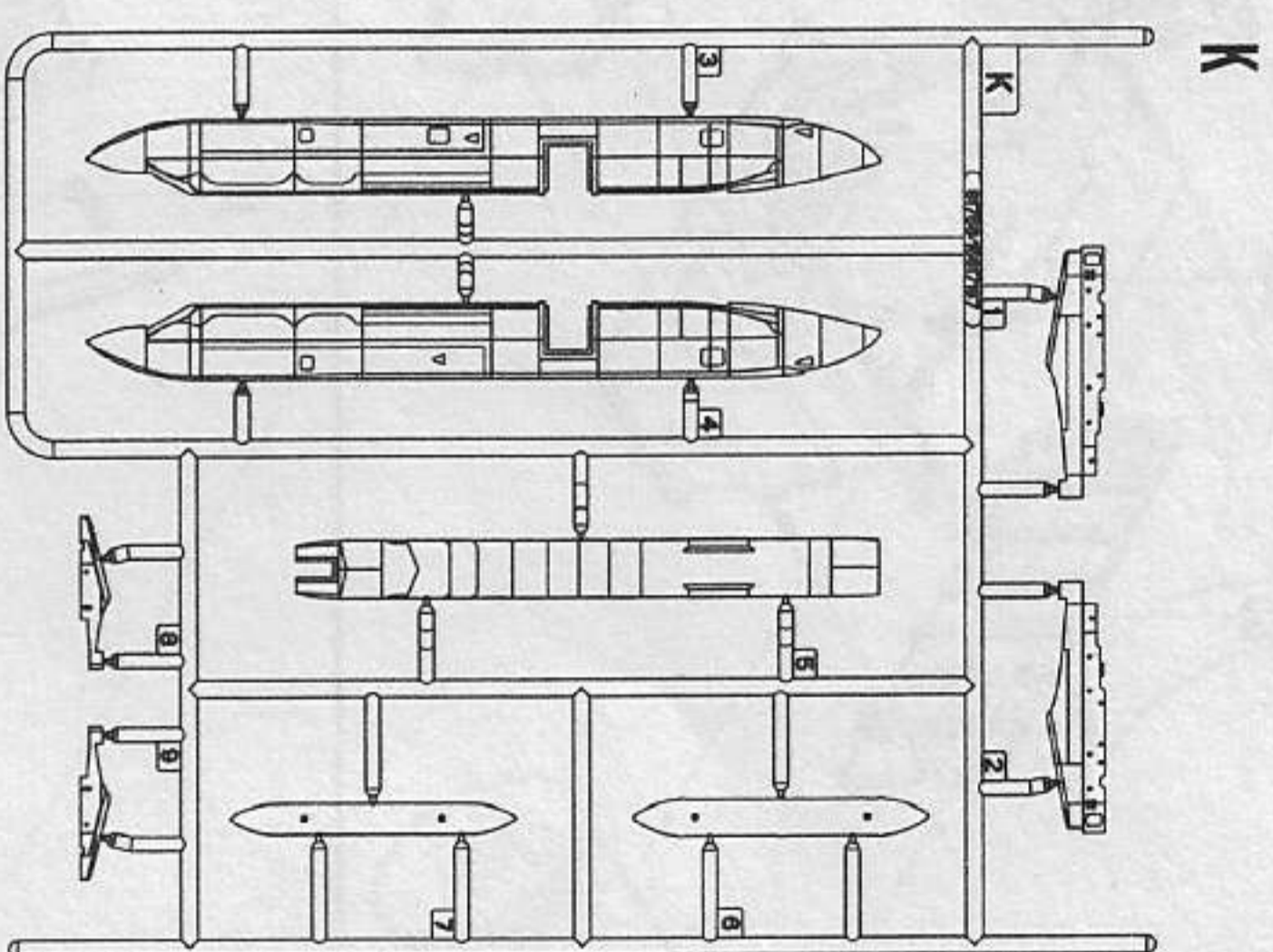
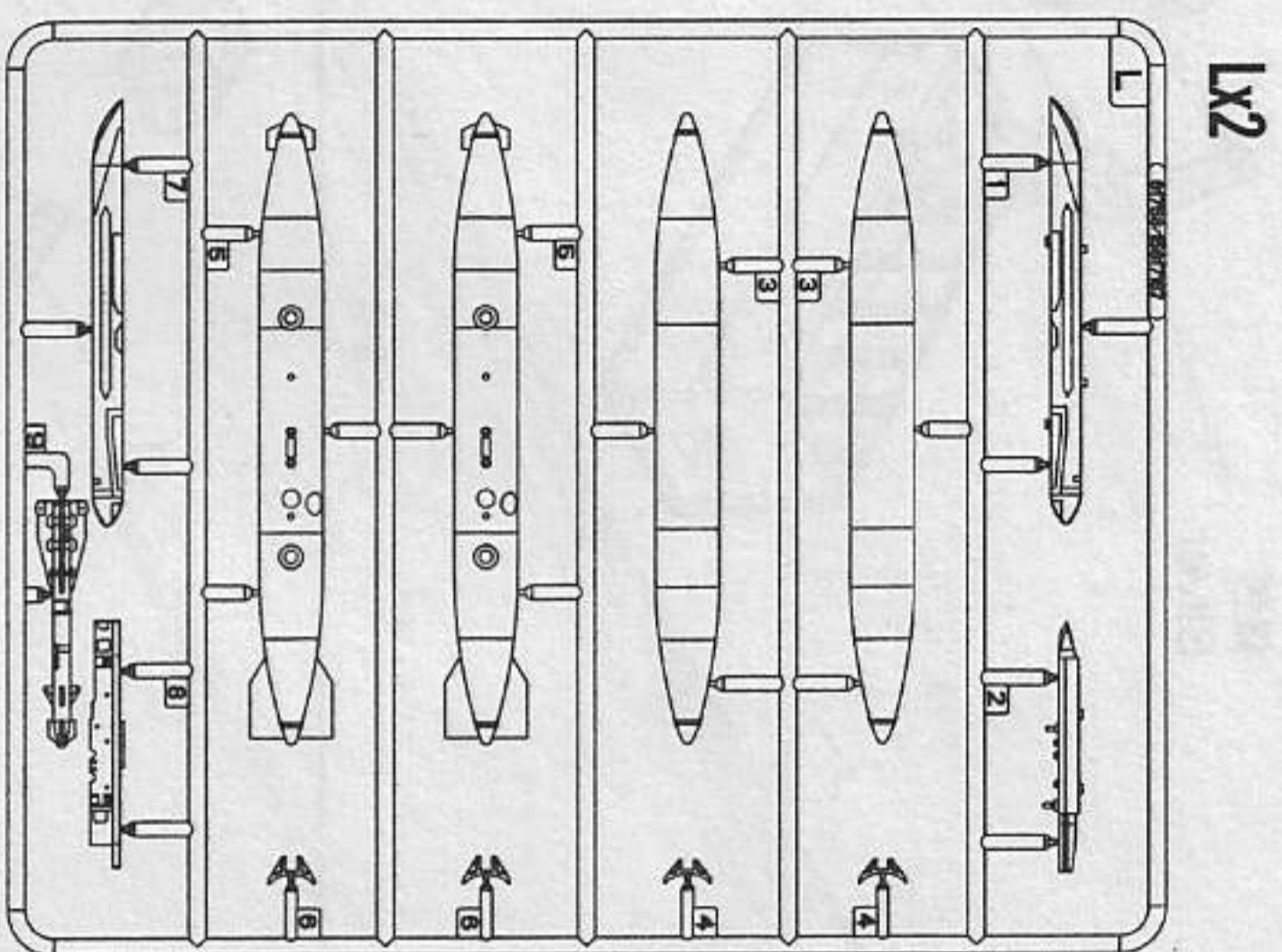
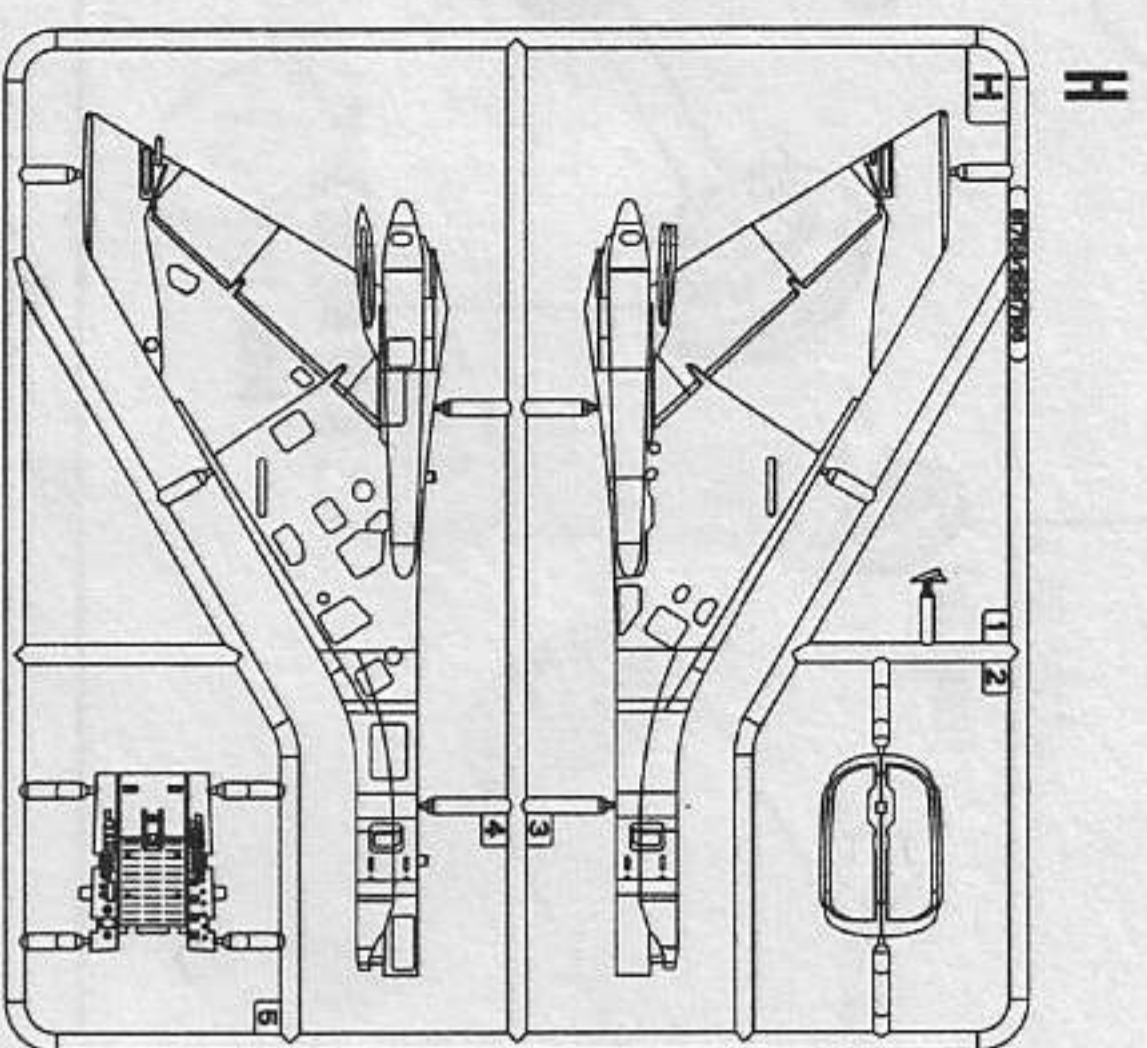


《主轮胎》 x2
Main tyre

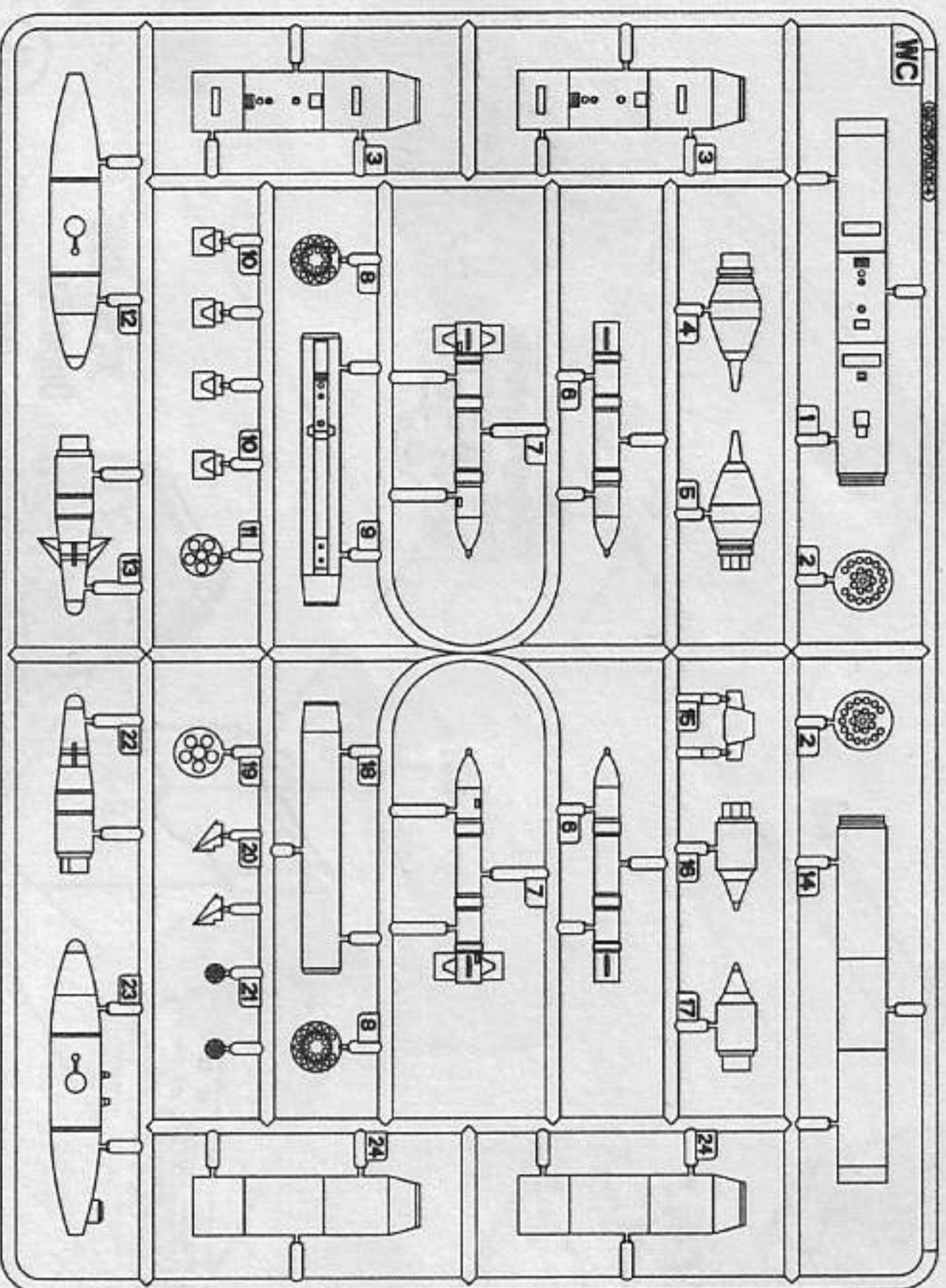


《前轮胎》
Nose tyre

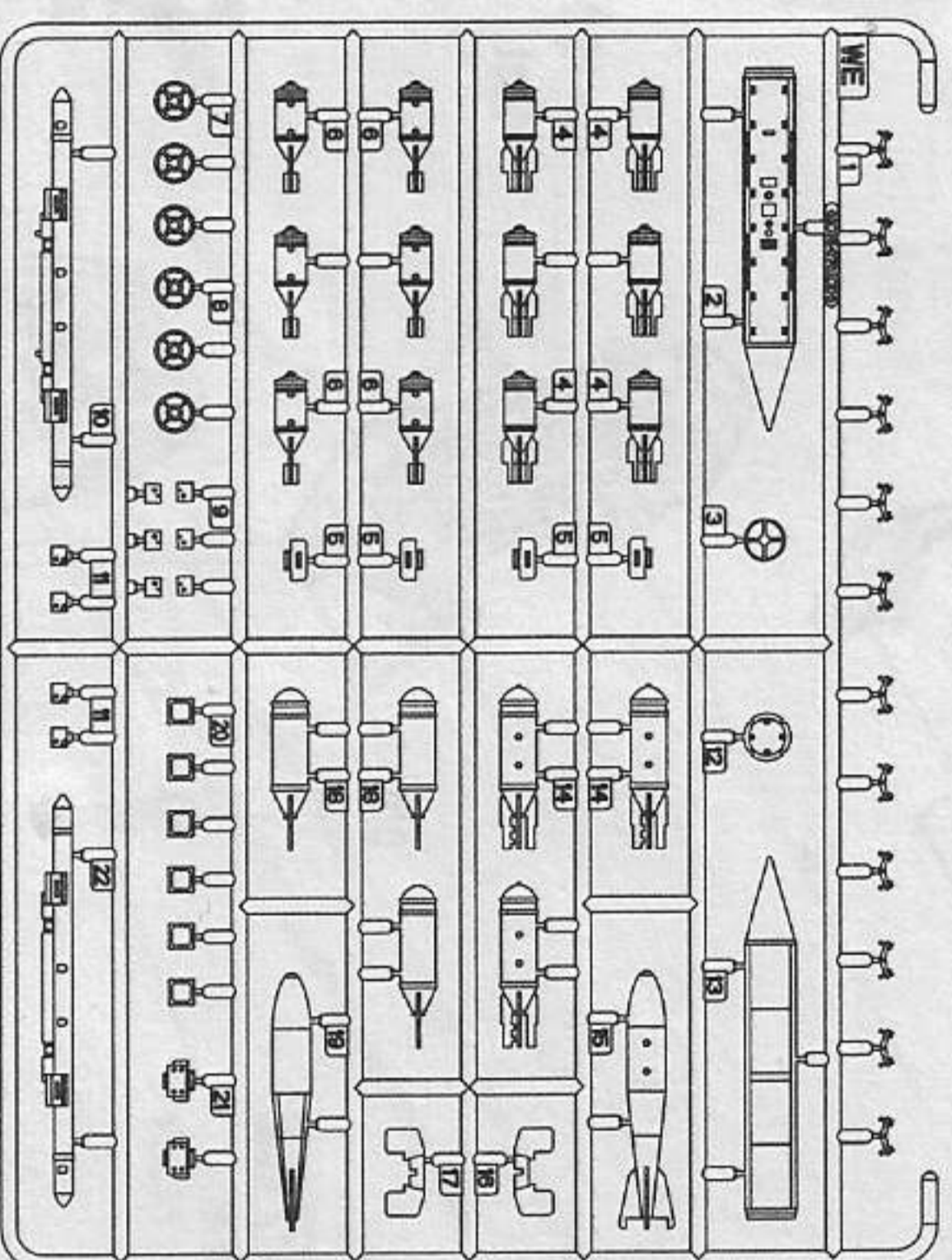




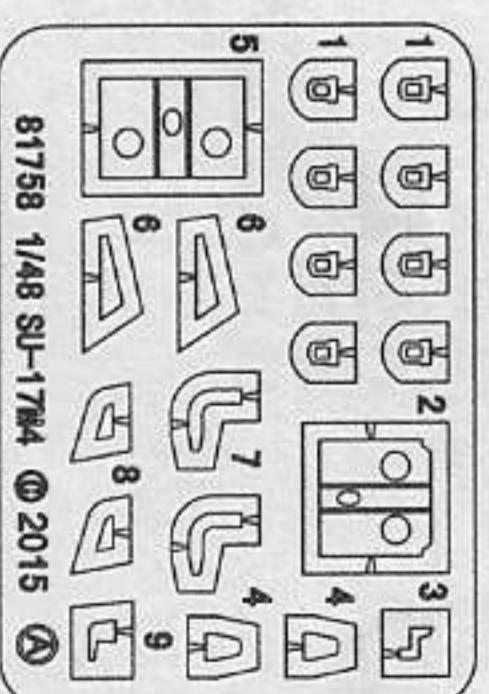
WCx2



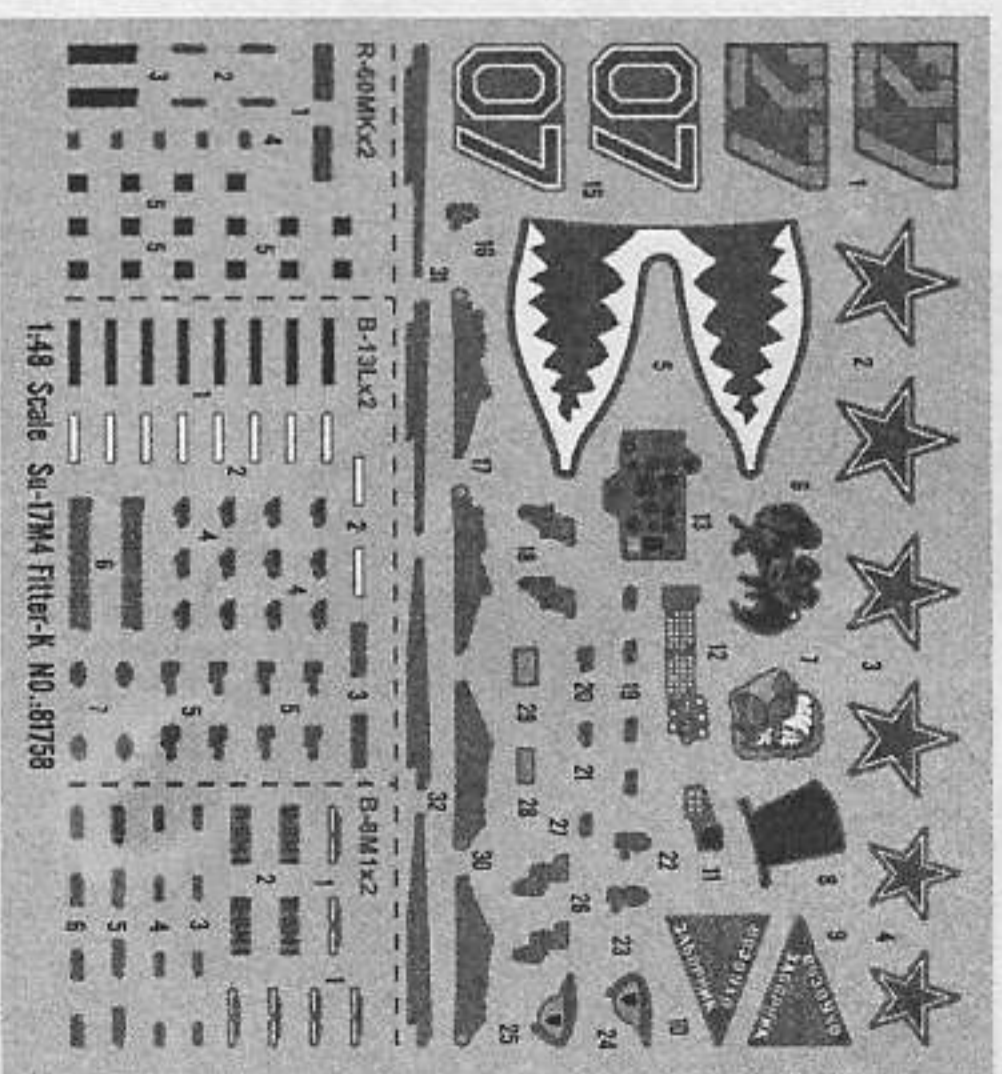
WEX2



《蚀刻片》
Photo etched part (PE)

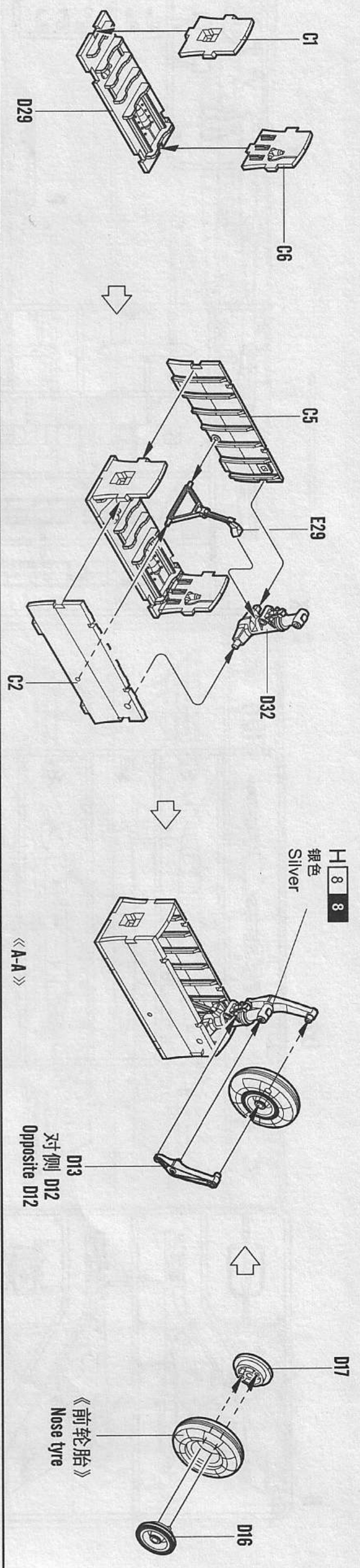


《水贴》
Decal

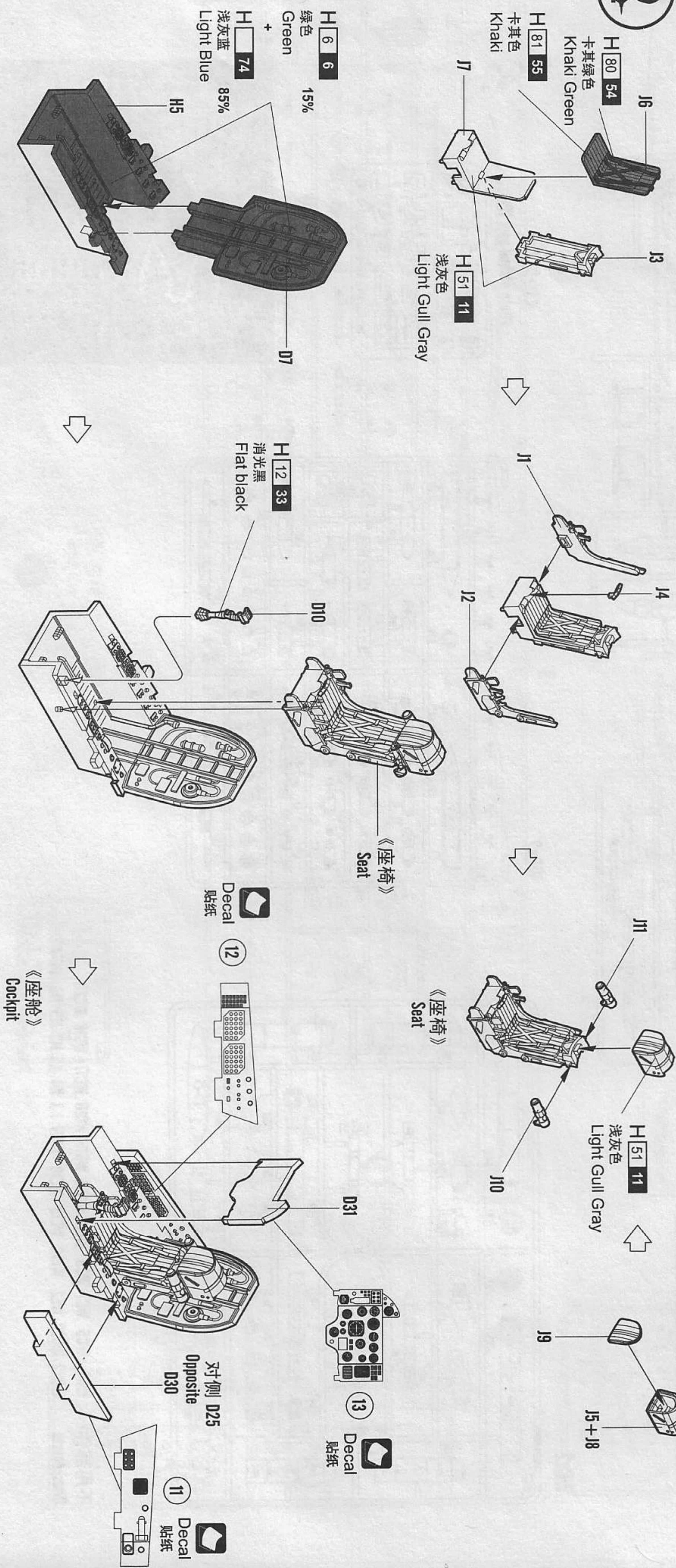


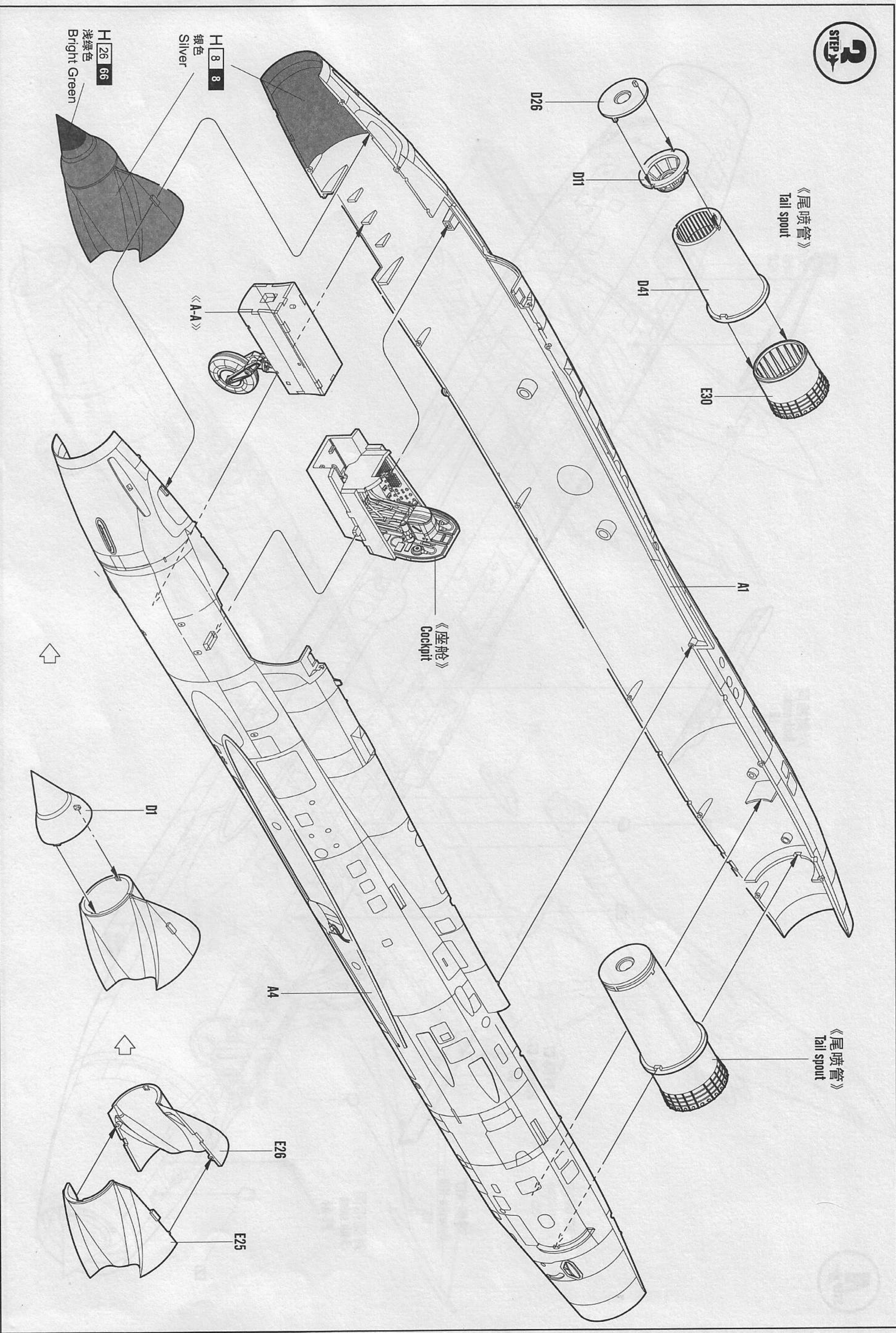
不用部件: WC4 WC5 WC7 WC9 WC12 WC13 WC15 WC16 WC17 WC18 WC20
Unused parts: WC22 WC23 WE2 WE12 WE13 WE16 WE17 K3 K4 K5 N3 N5 N6 PE-A2

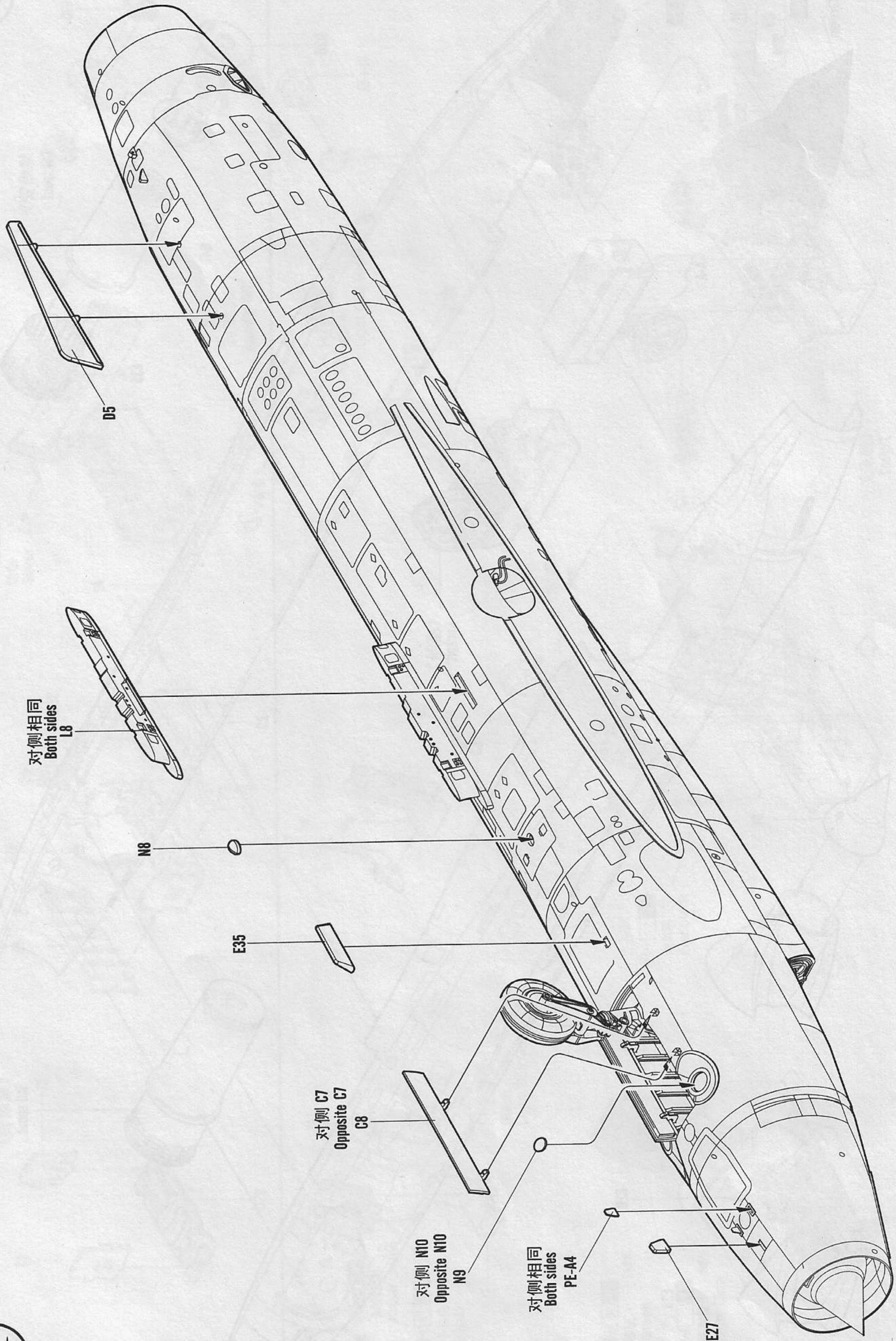
STEP 1

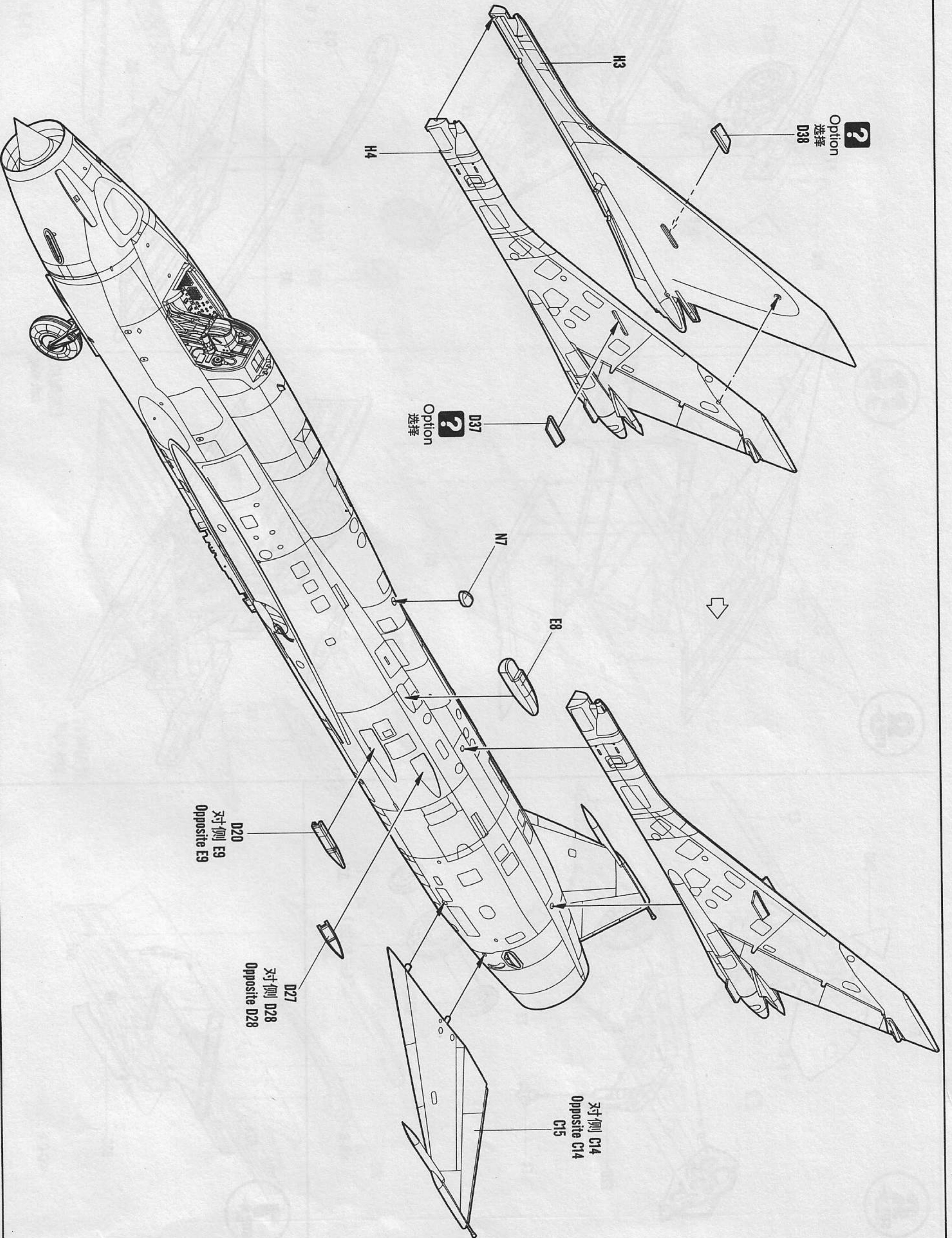


STEP 2

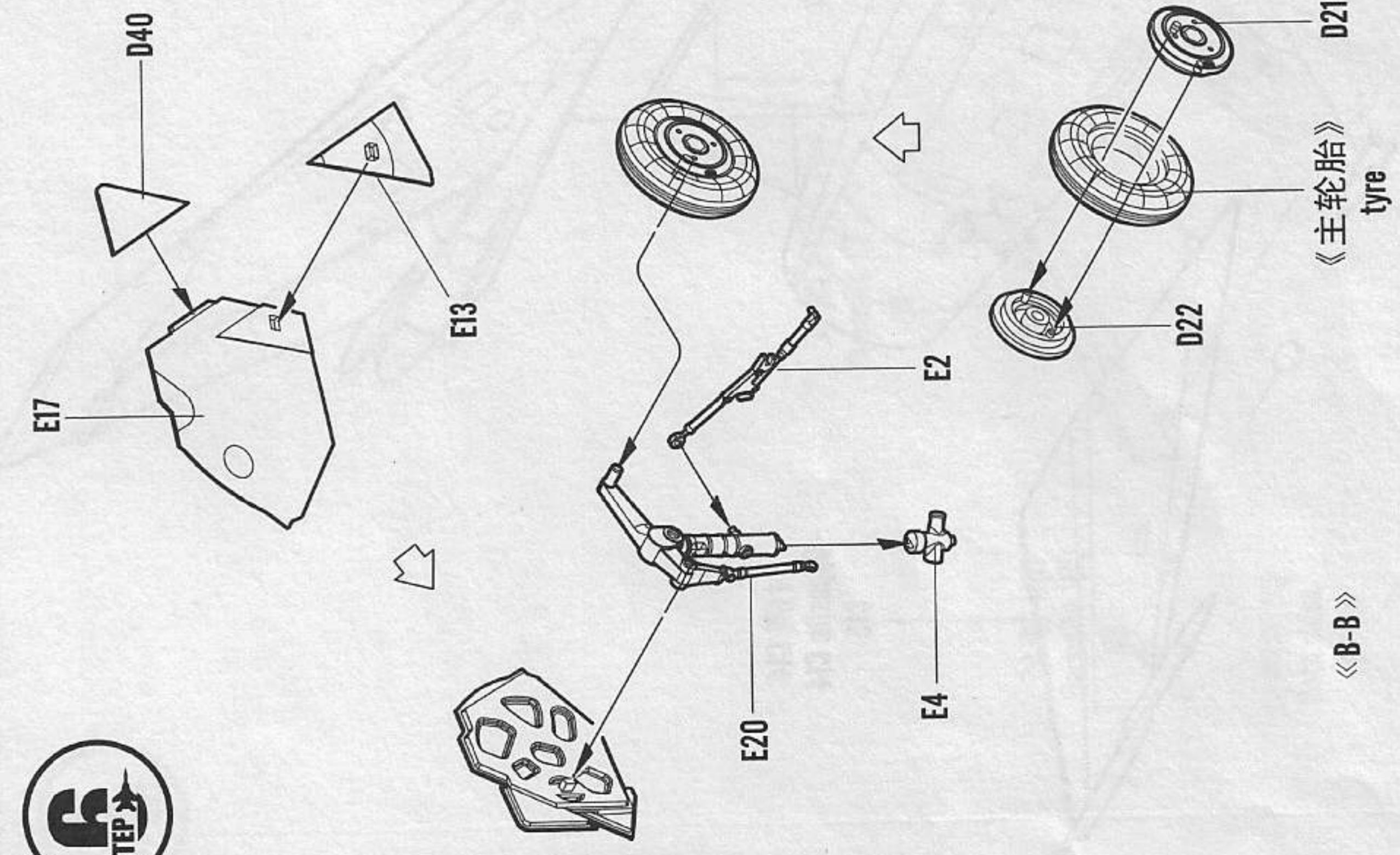




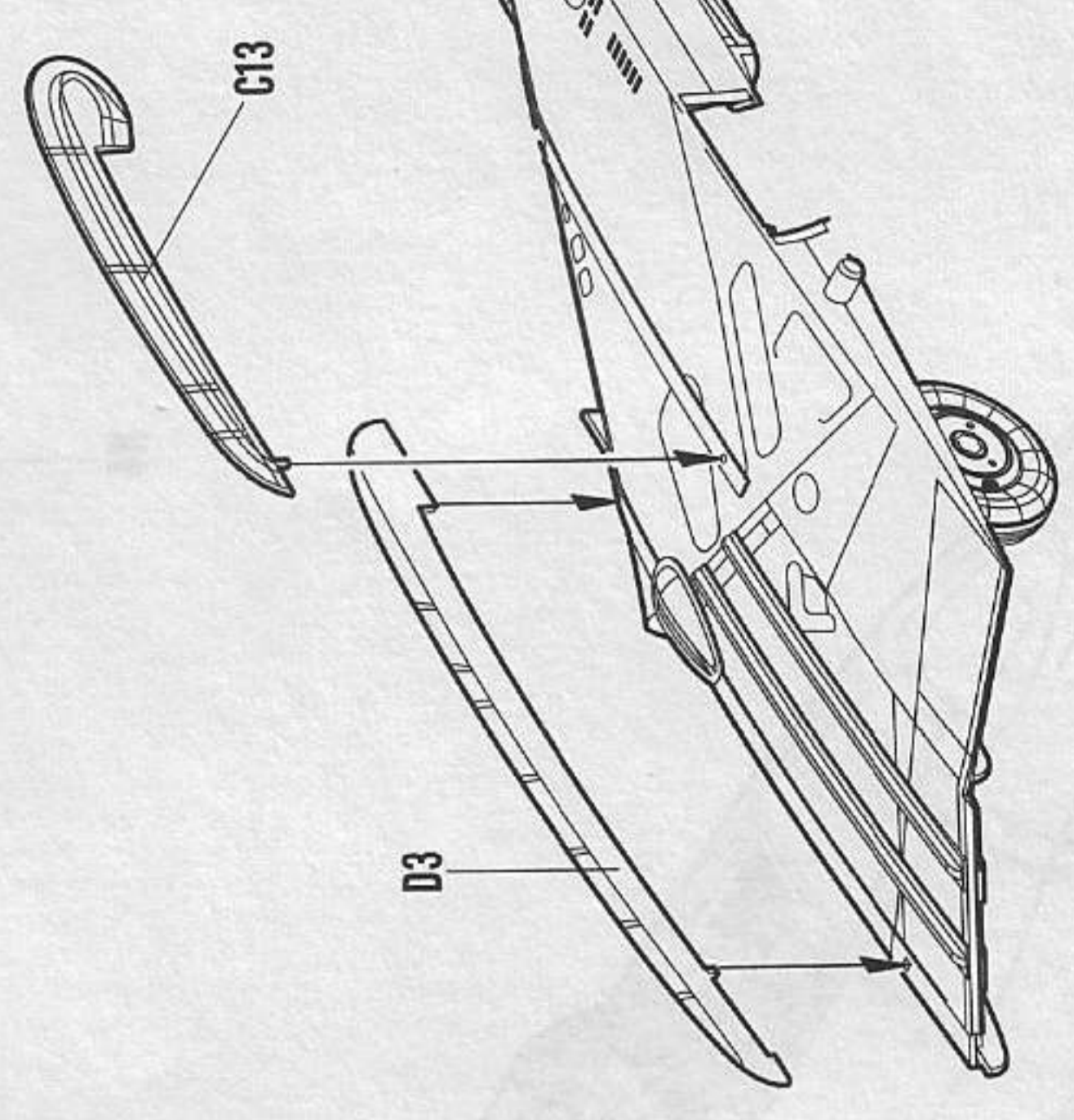
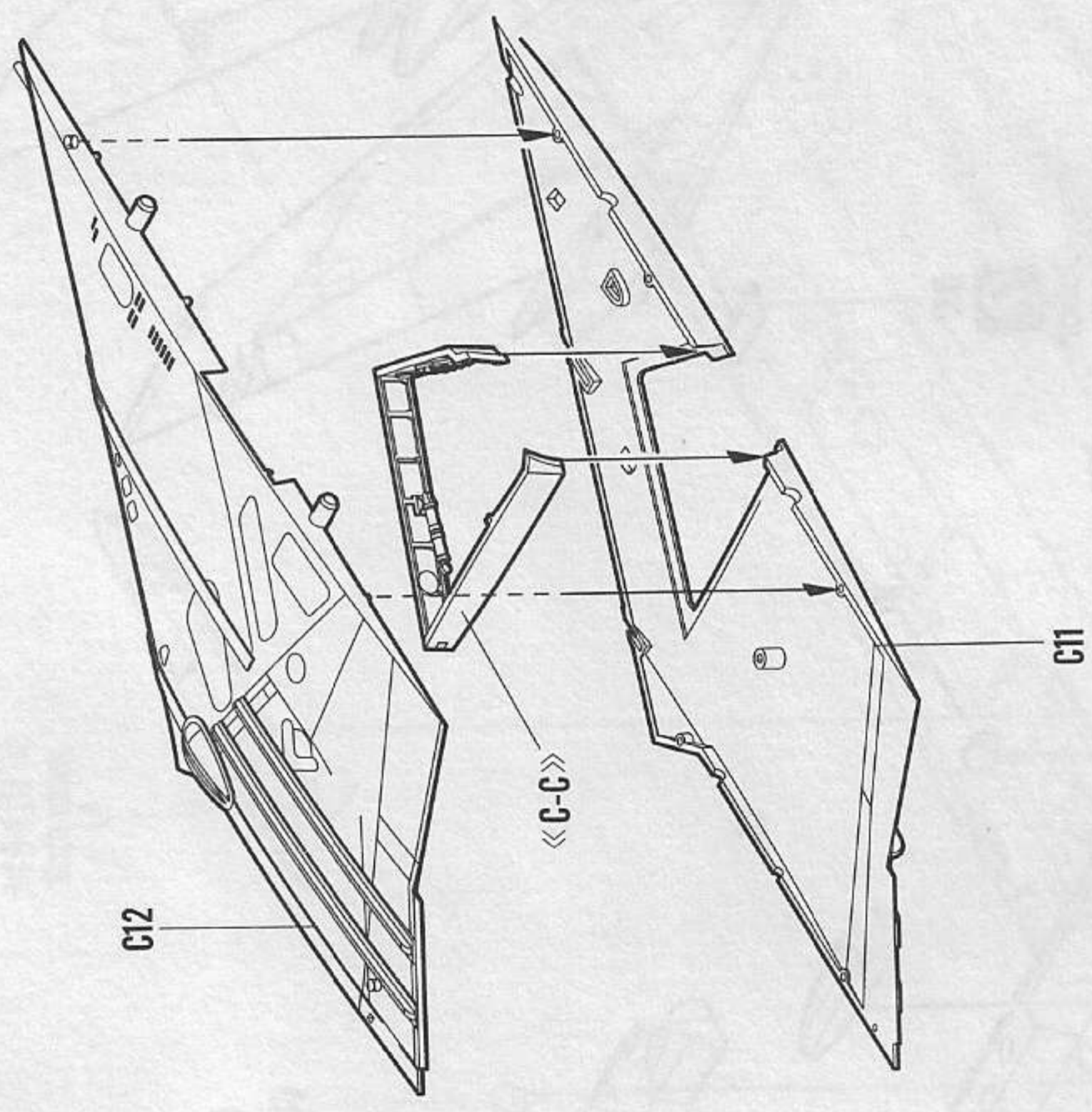




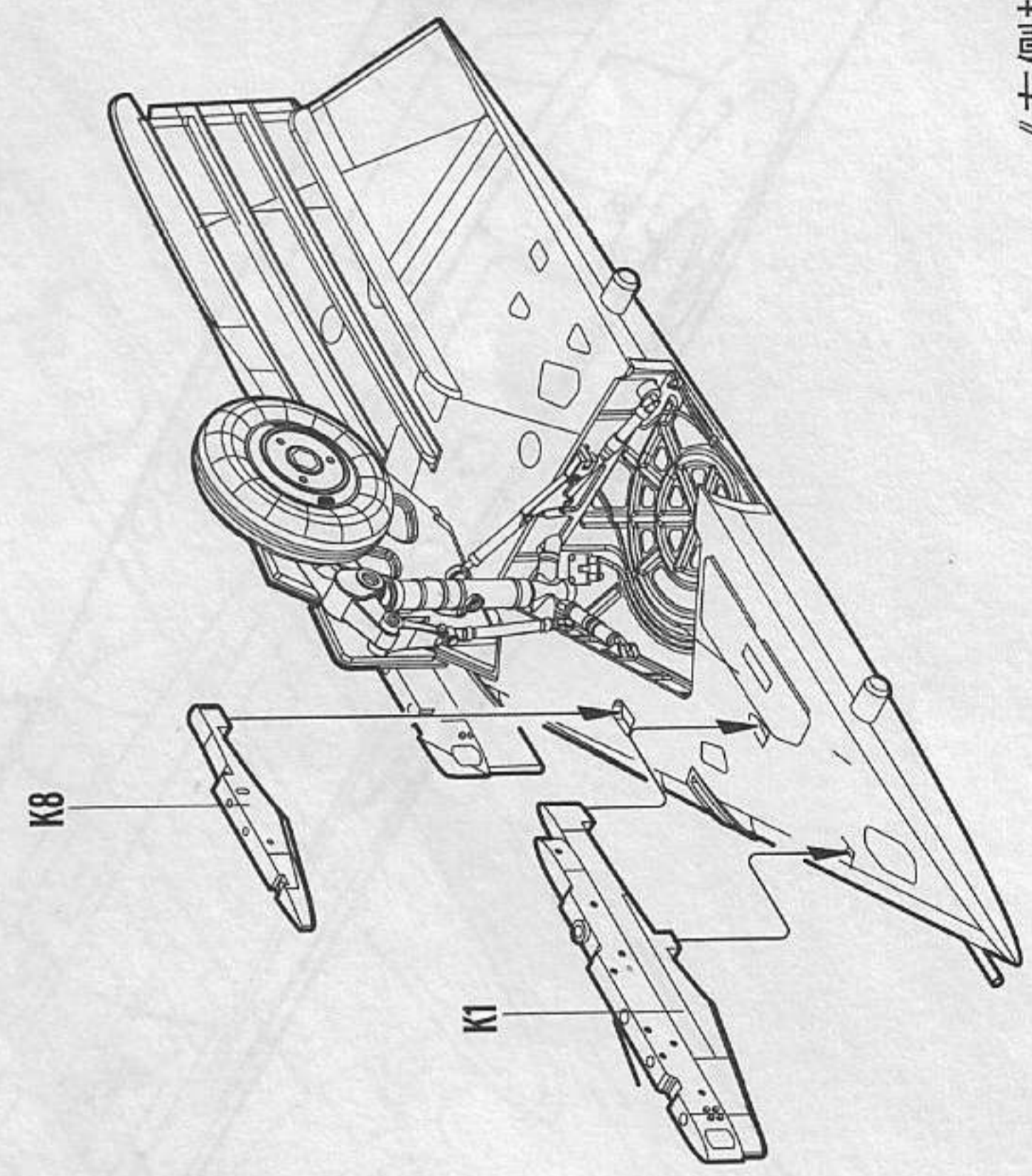
STEP 6



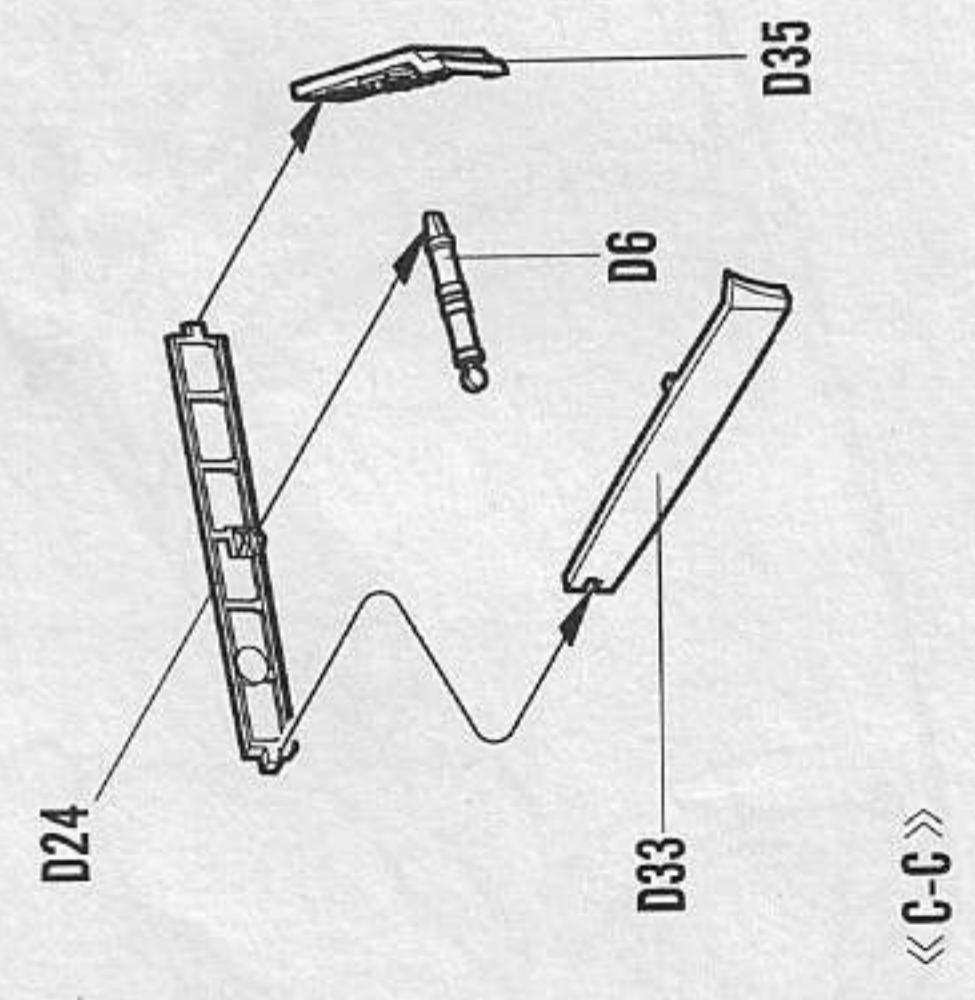
STEP 8



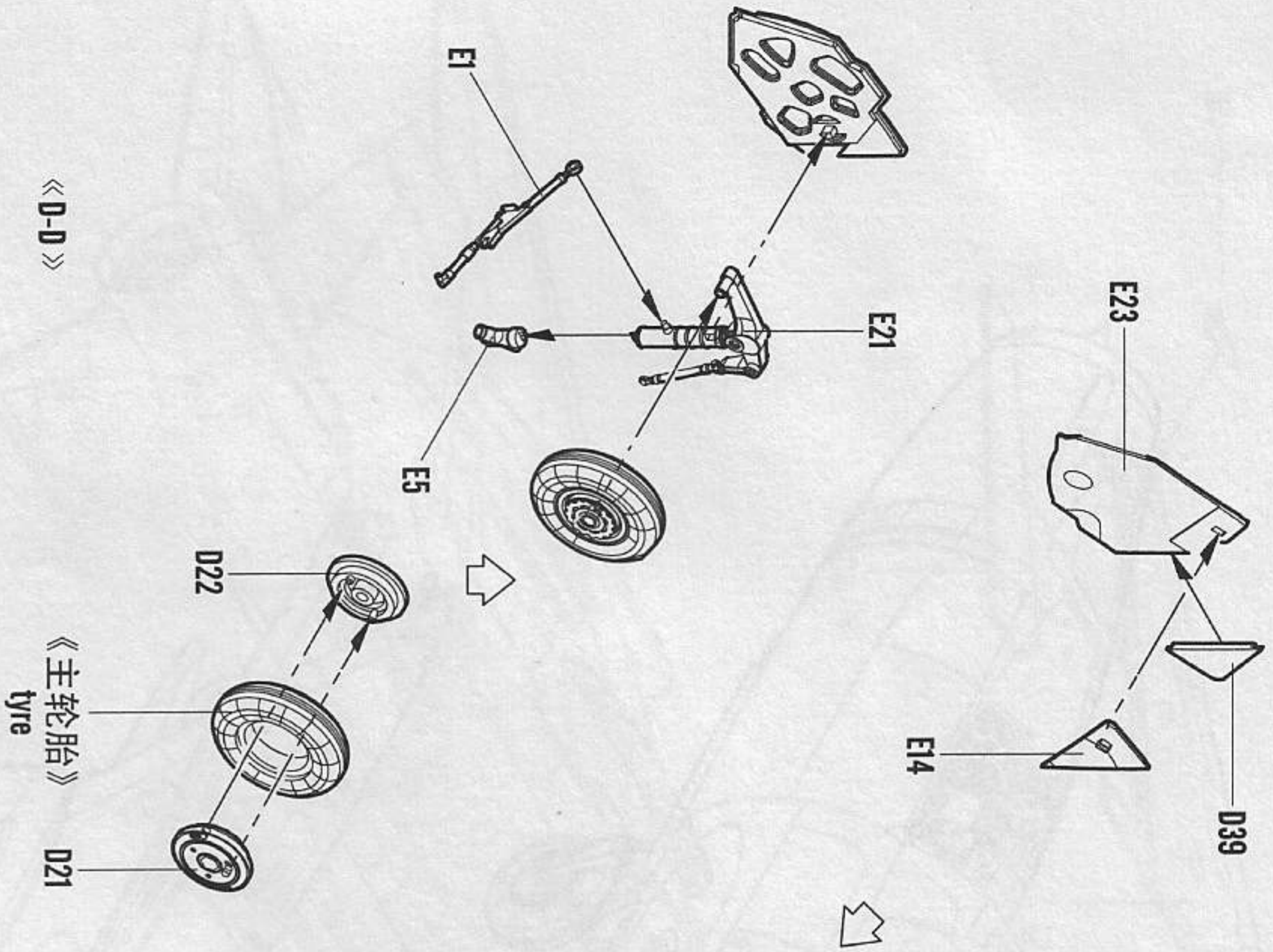
《左侧机翼》
Left wing



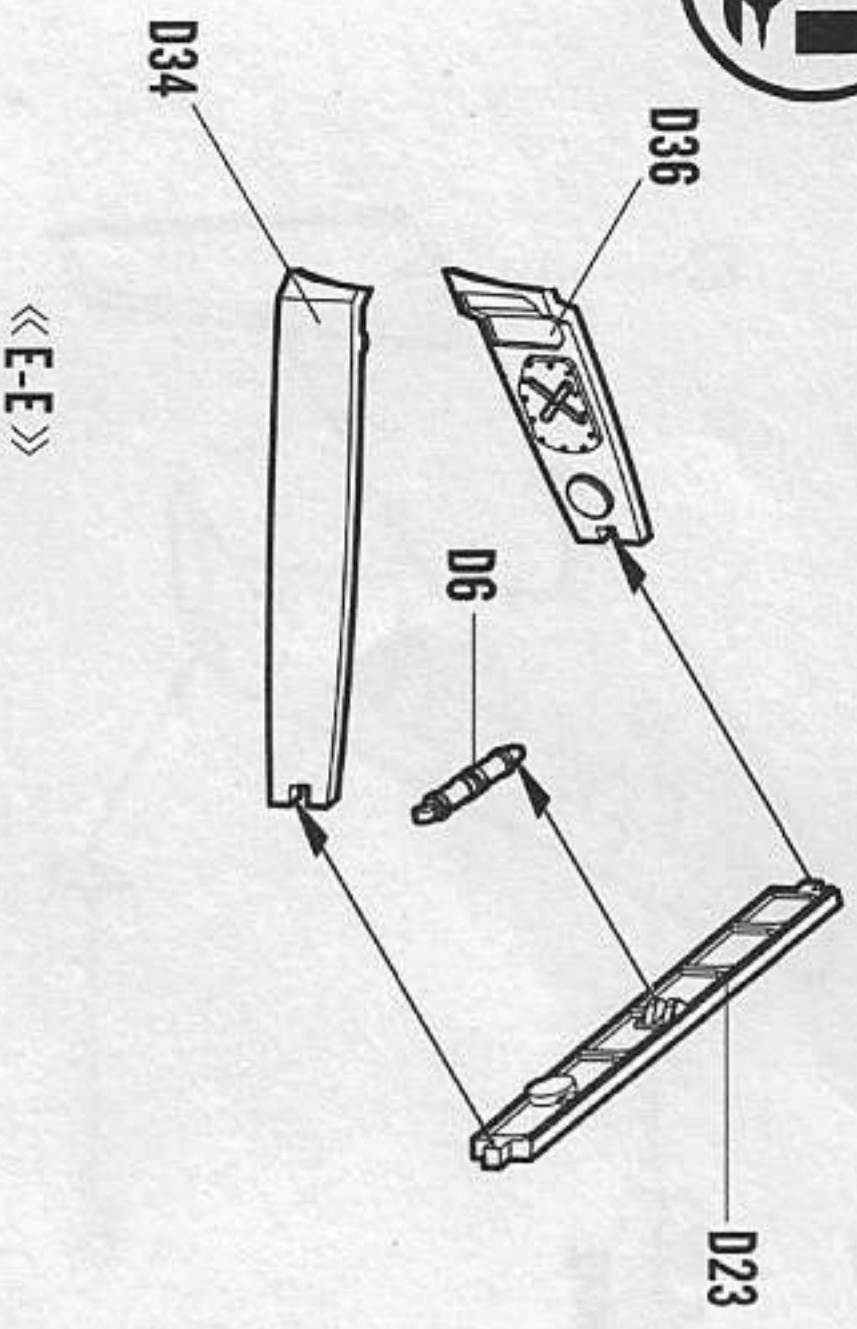
STEP 7



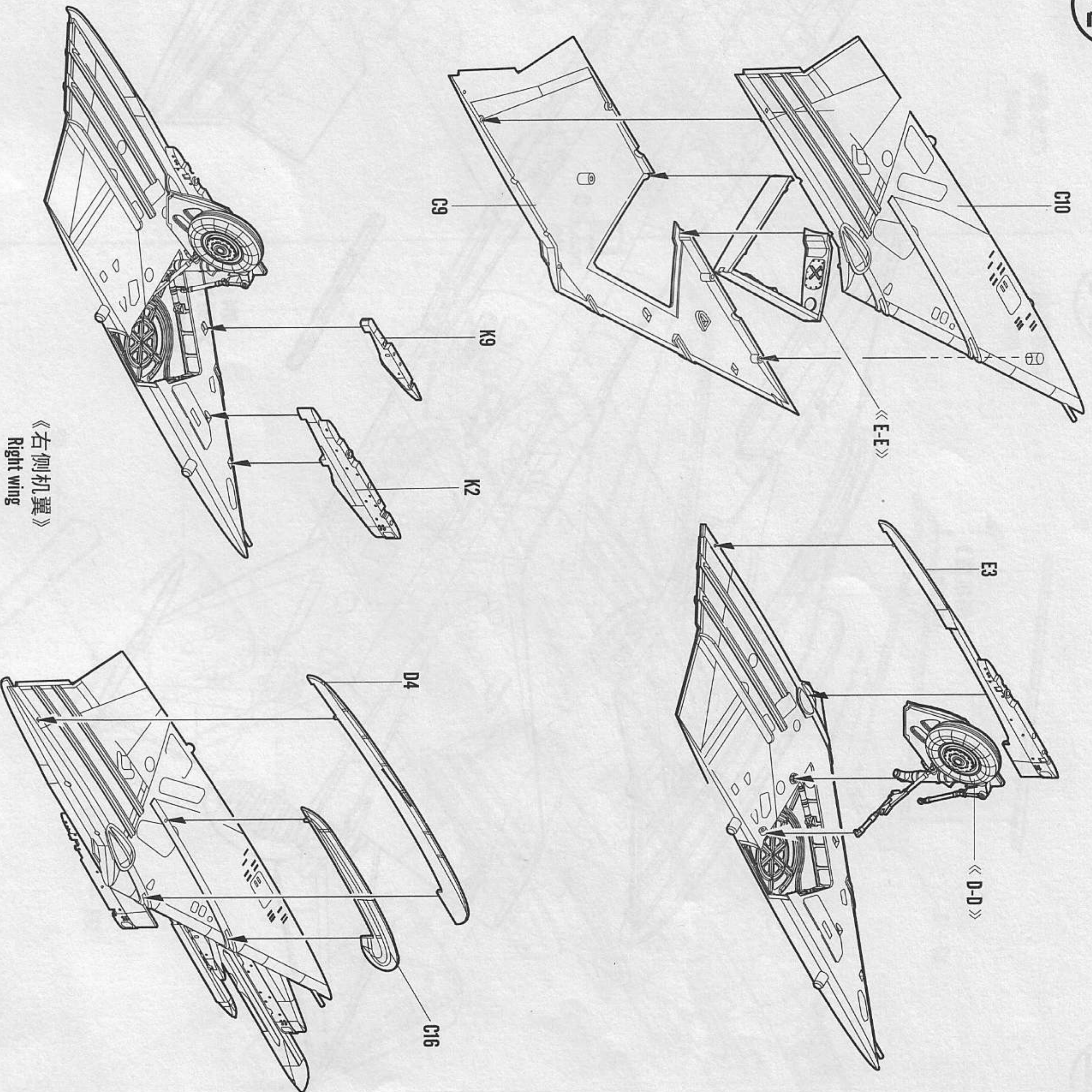
10
STEP

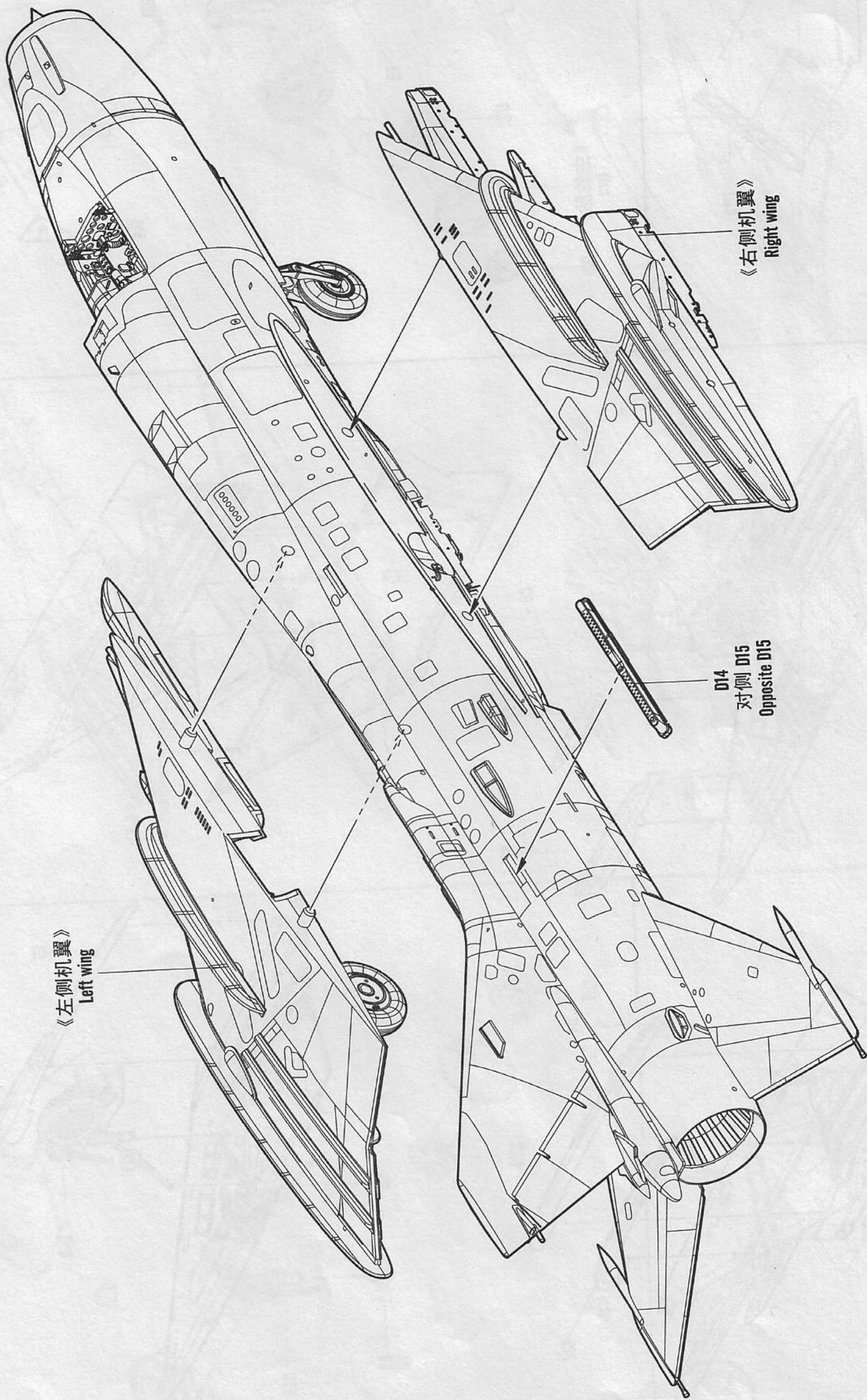


11
STEP



11
STEP





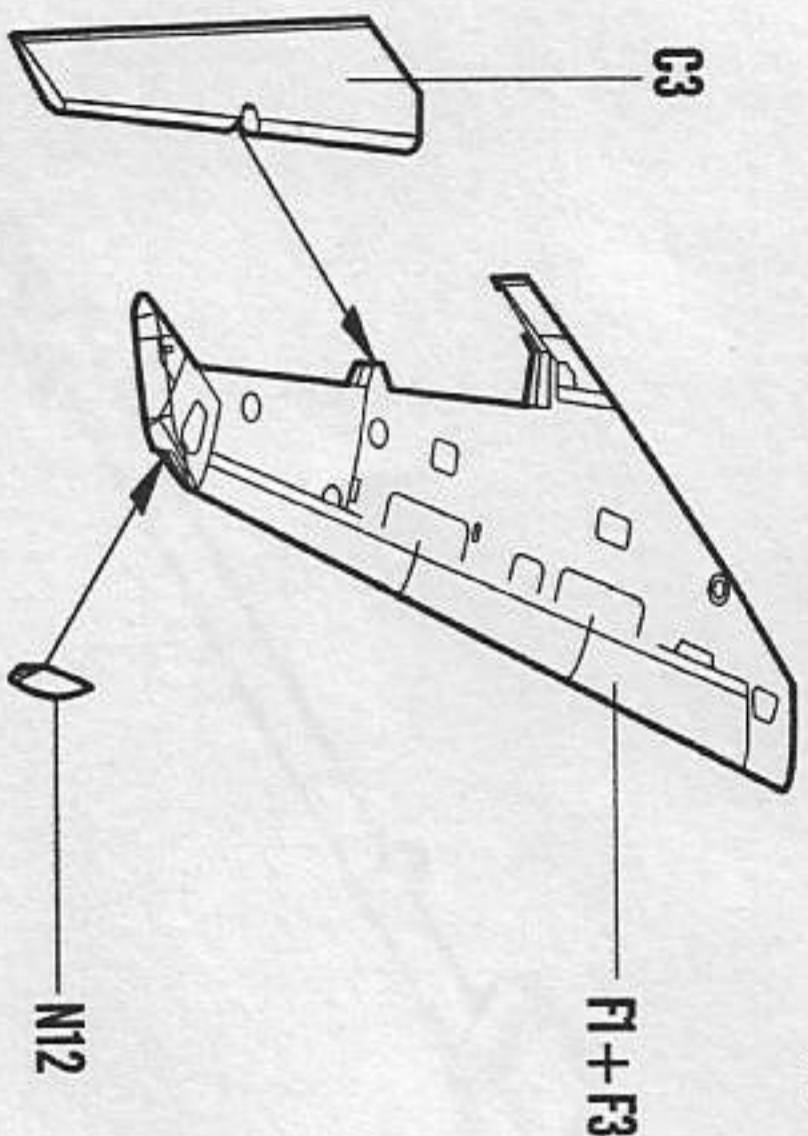
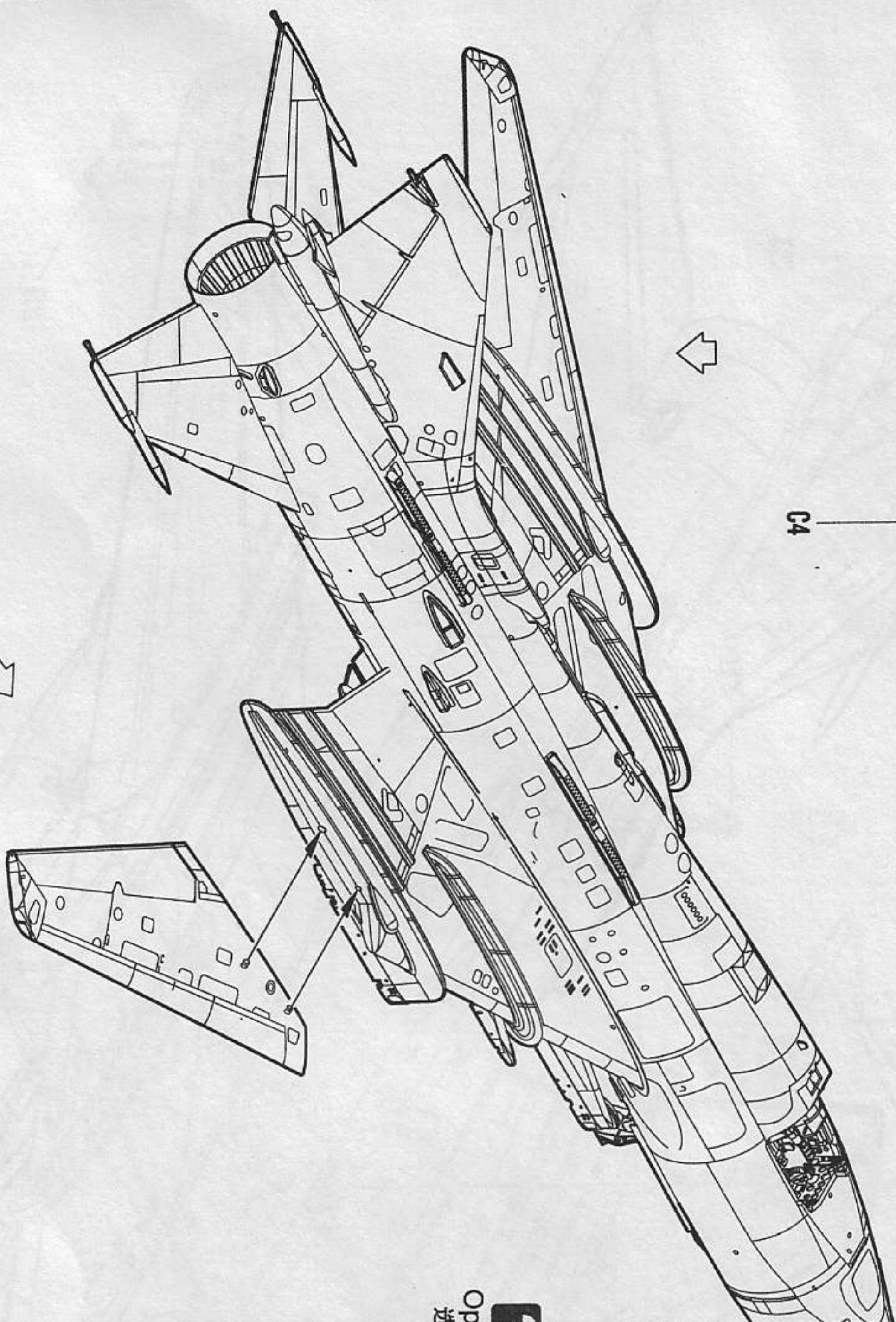
13
STEP 13

N11

C4

F2+F4

折叠状态
Folding



14
STEP 14

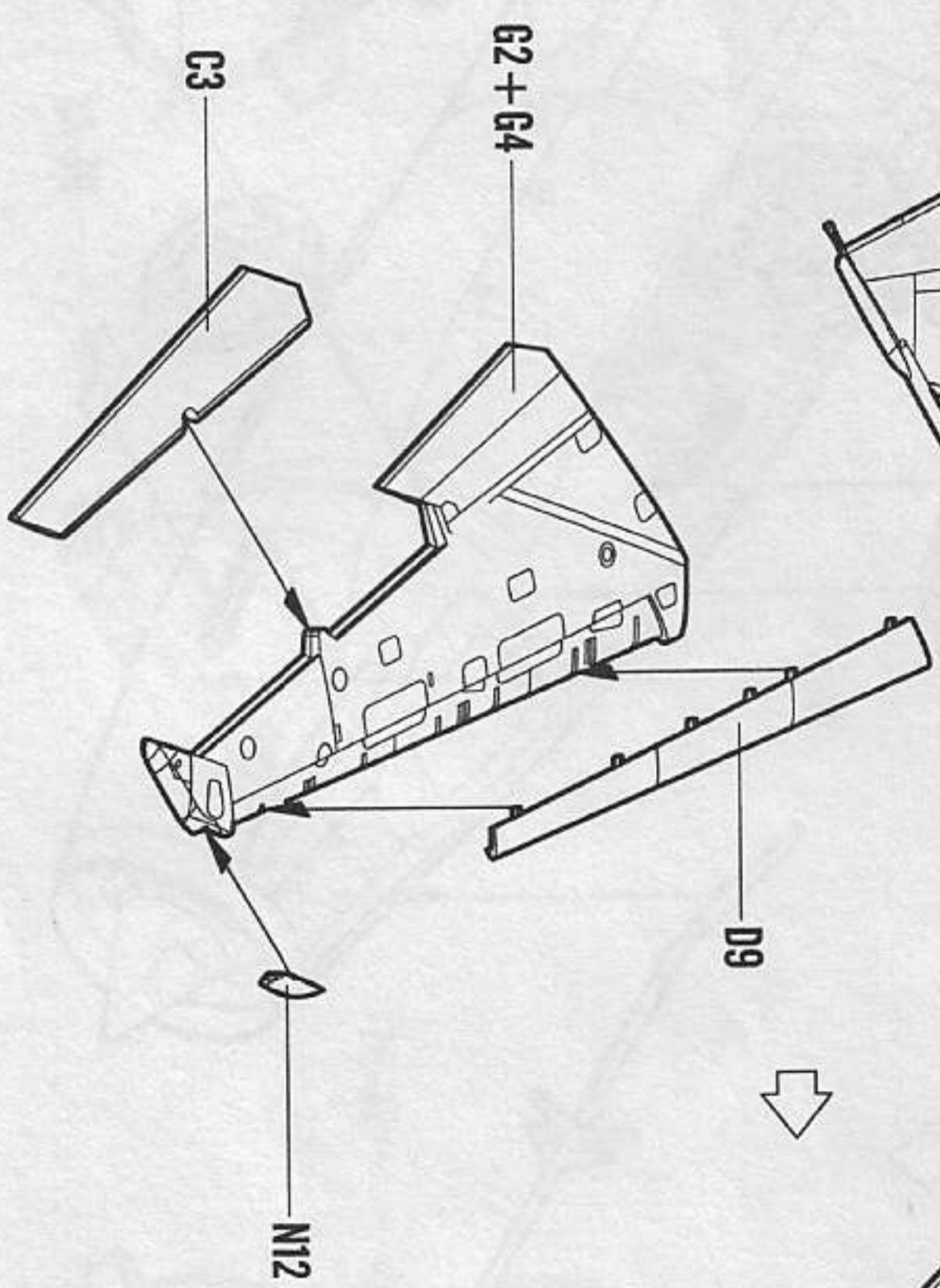
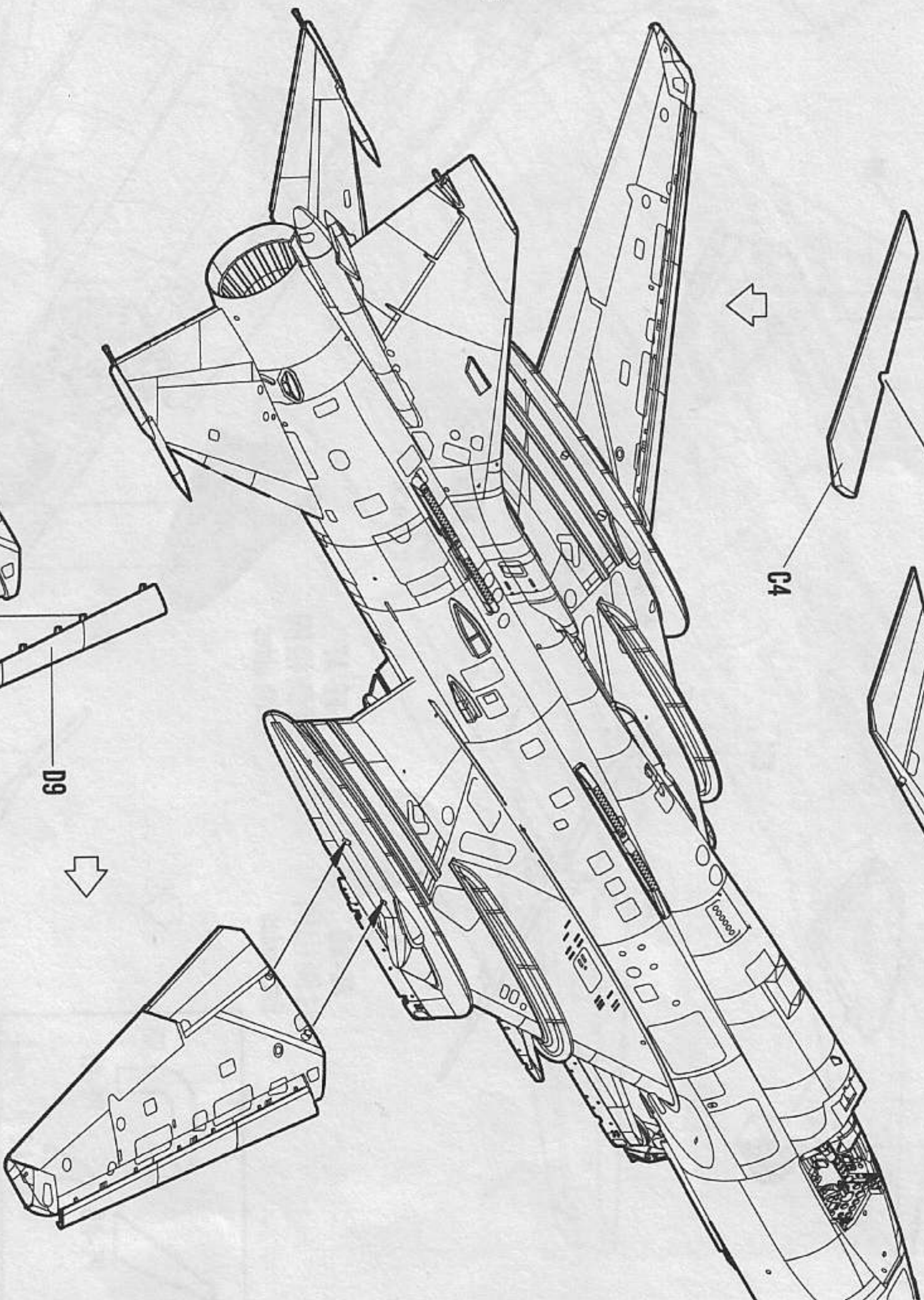
展开状态
Open

N11

C4

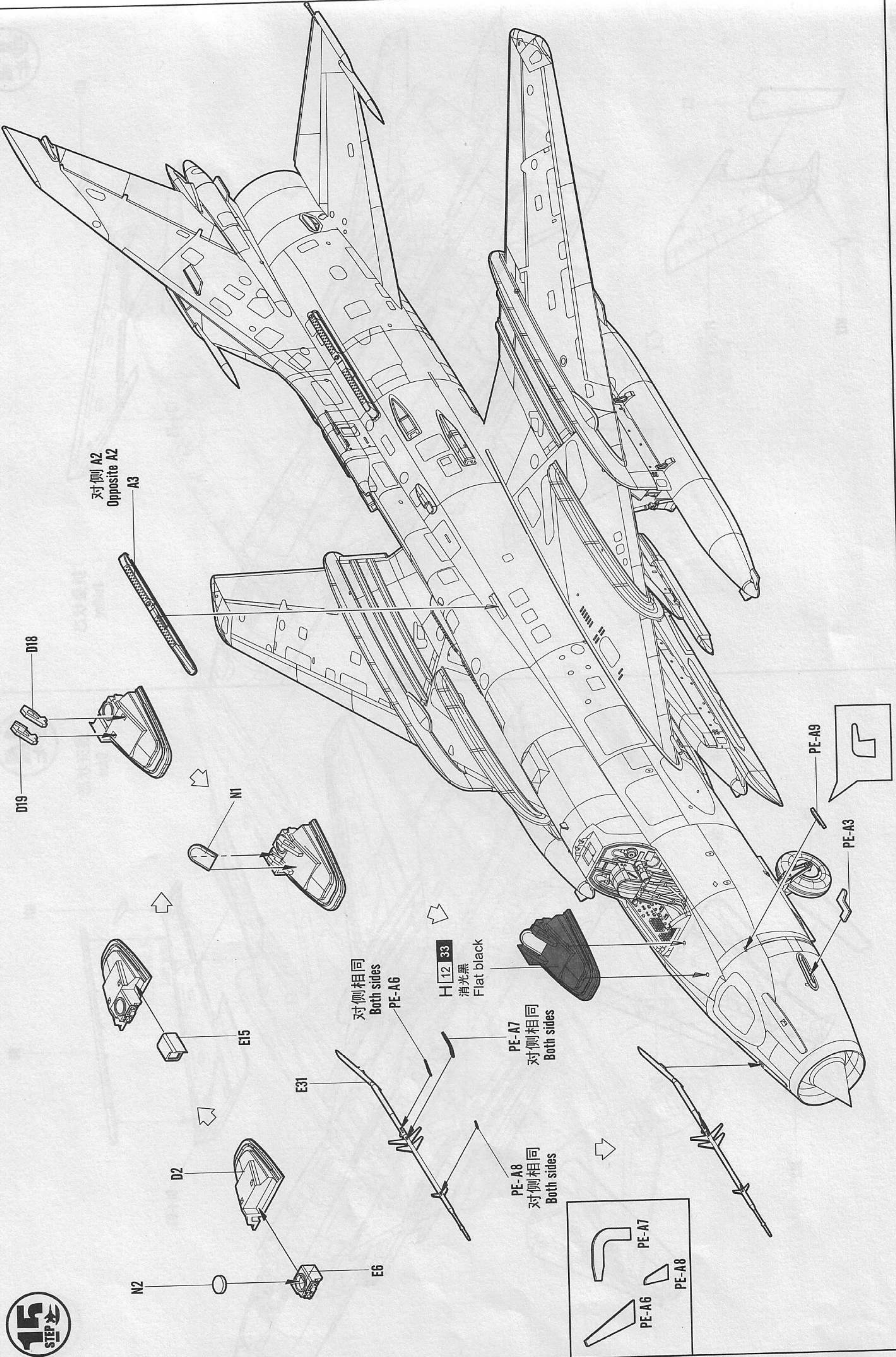
G1+G3

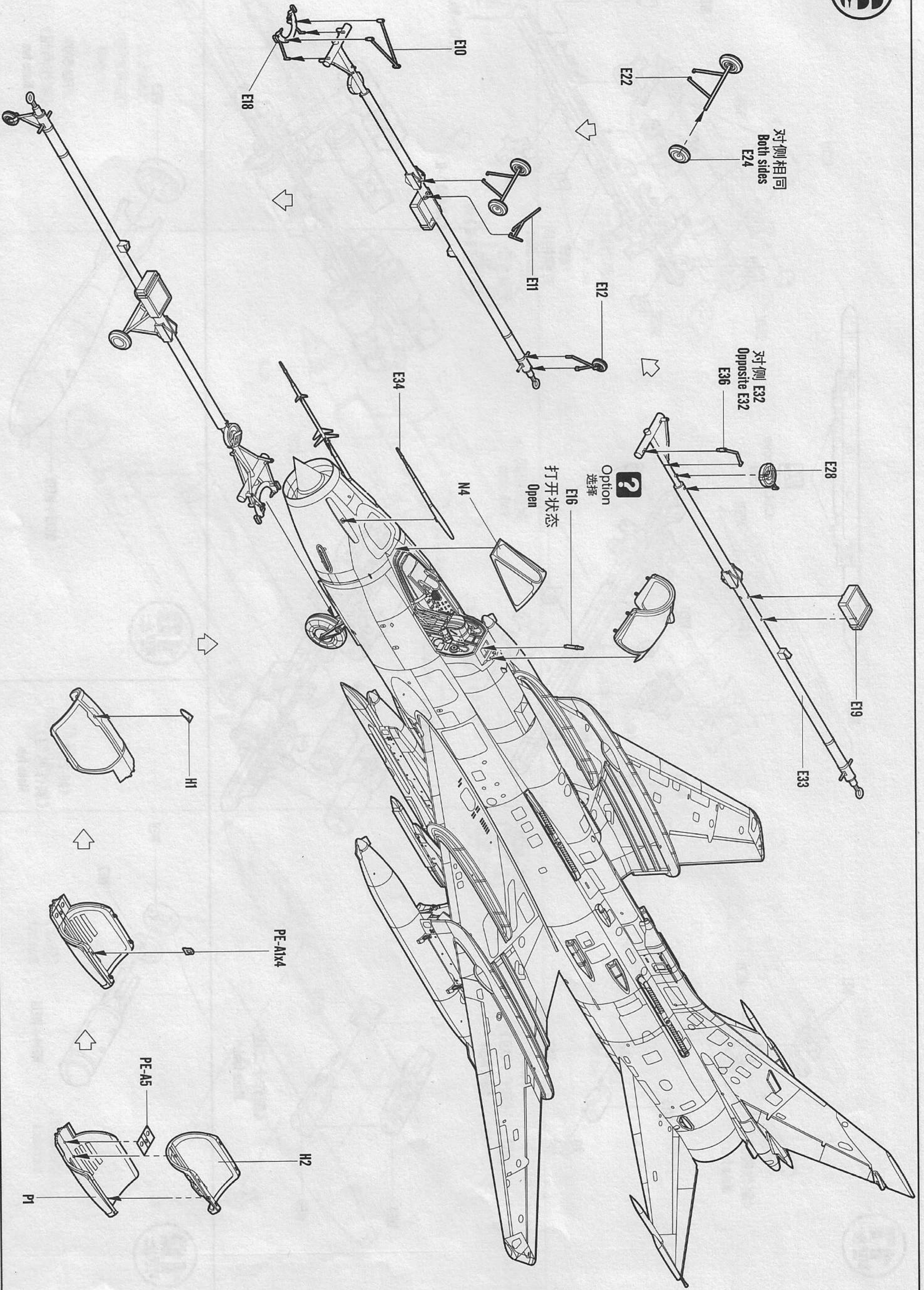
D8



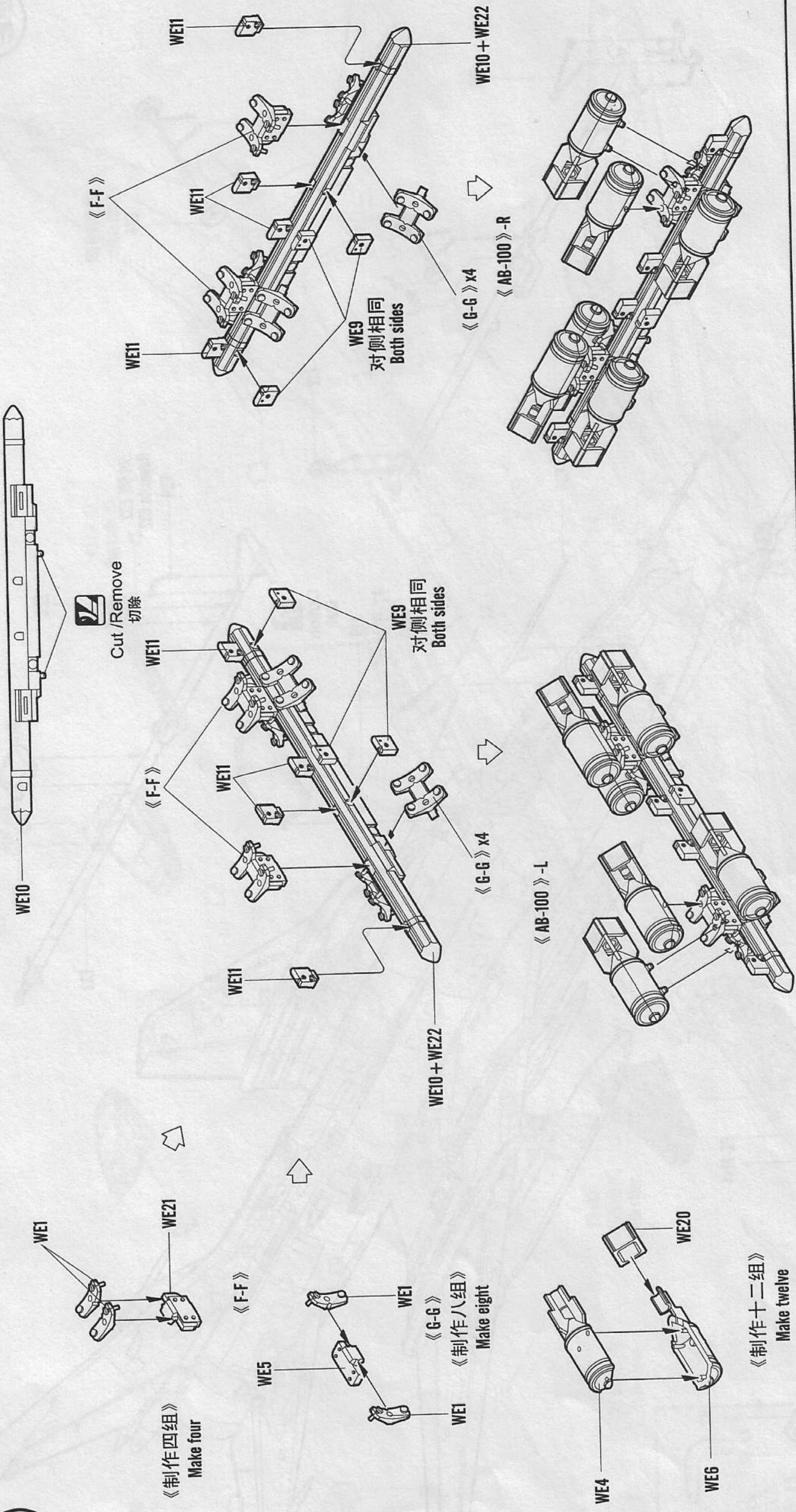
Option
选择

15
STEP

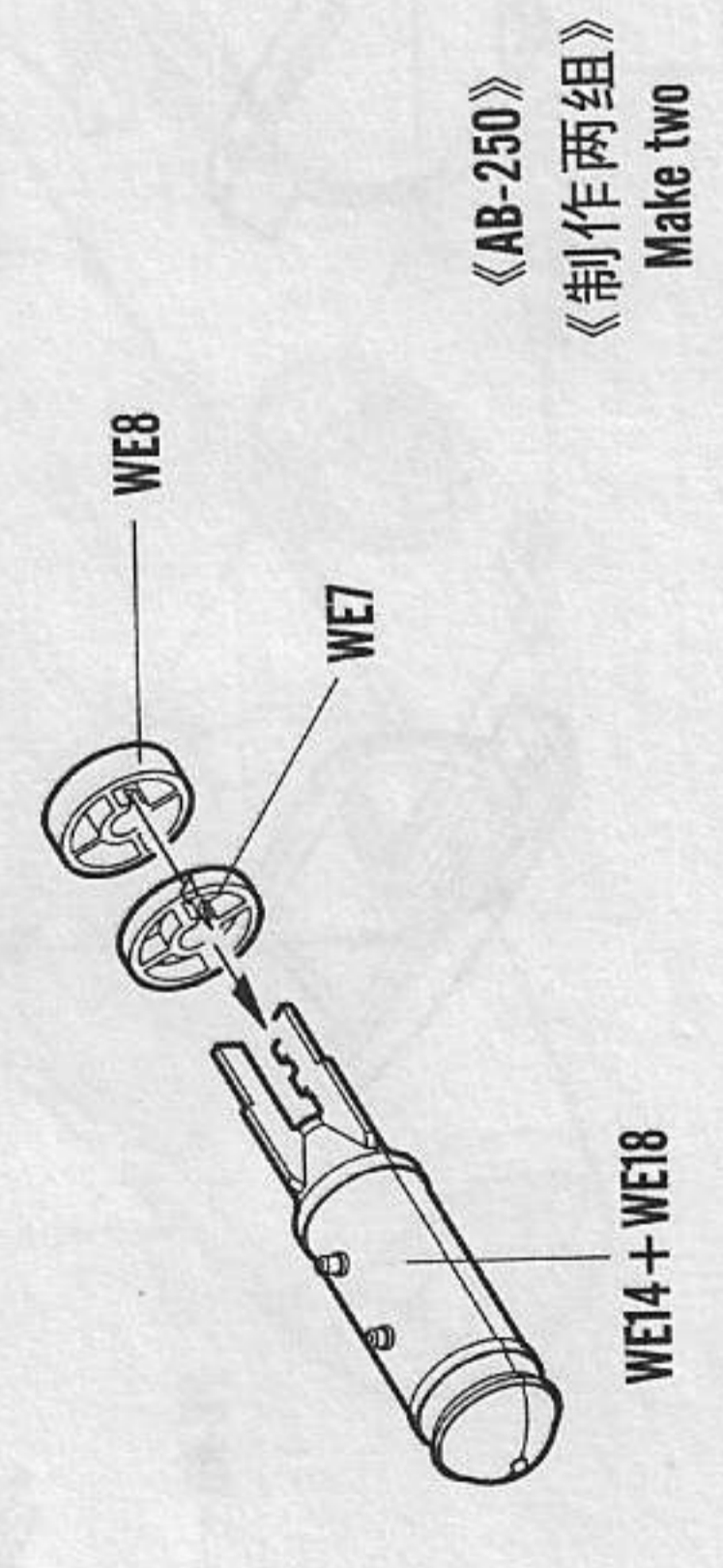




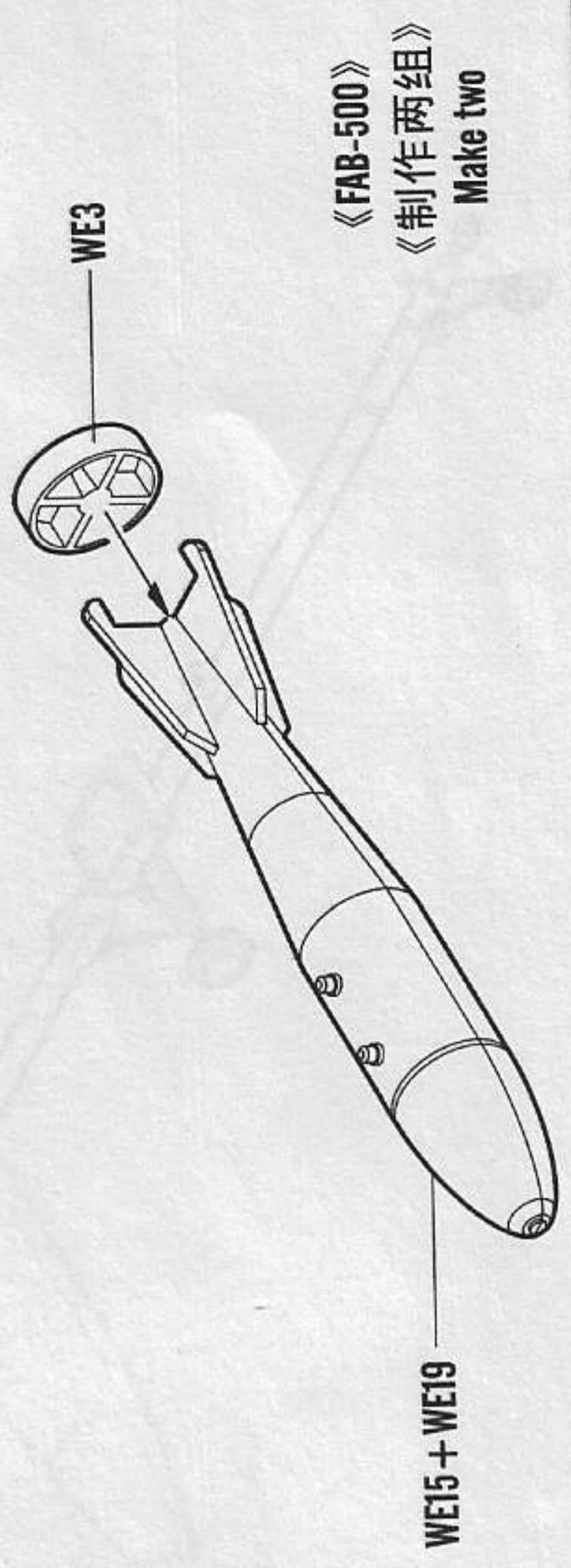
17
STEP



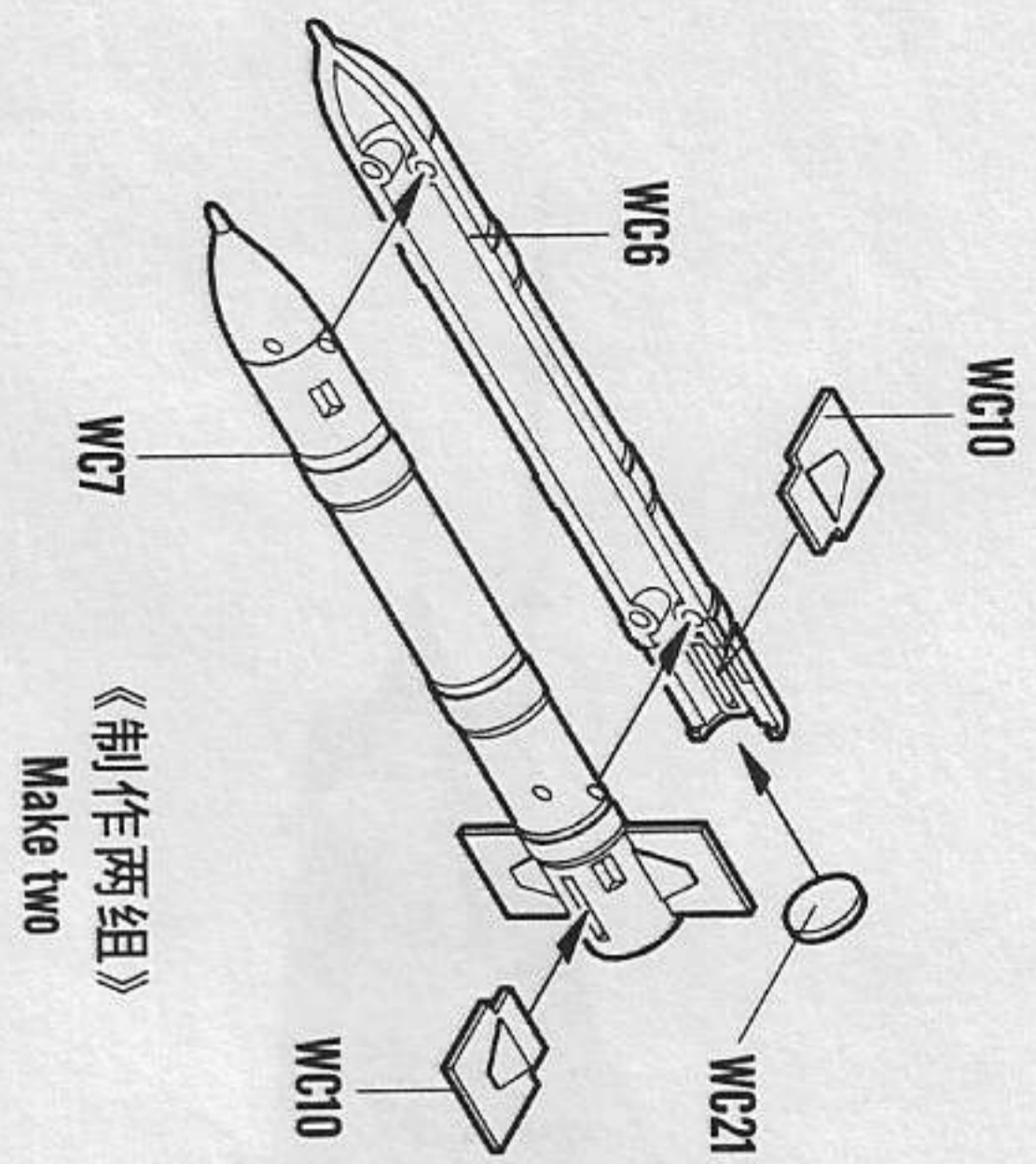
18
STEP



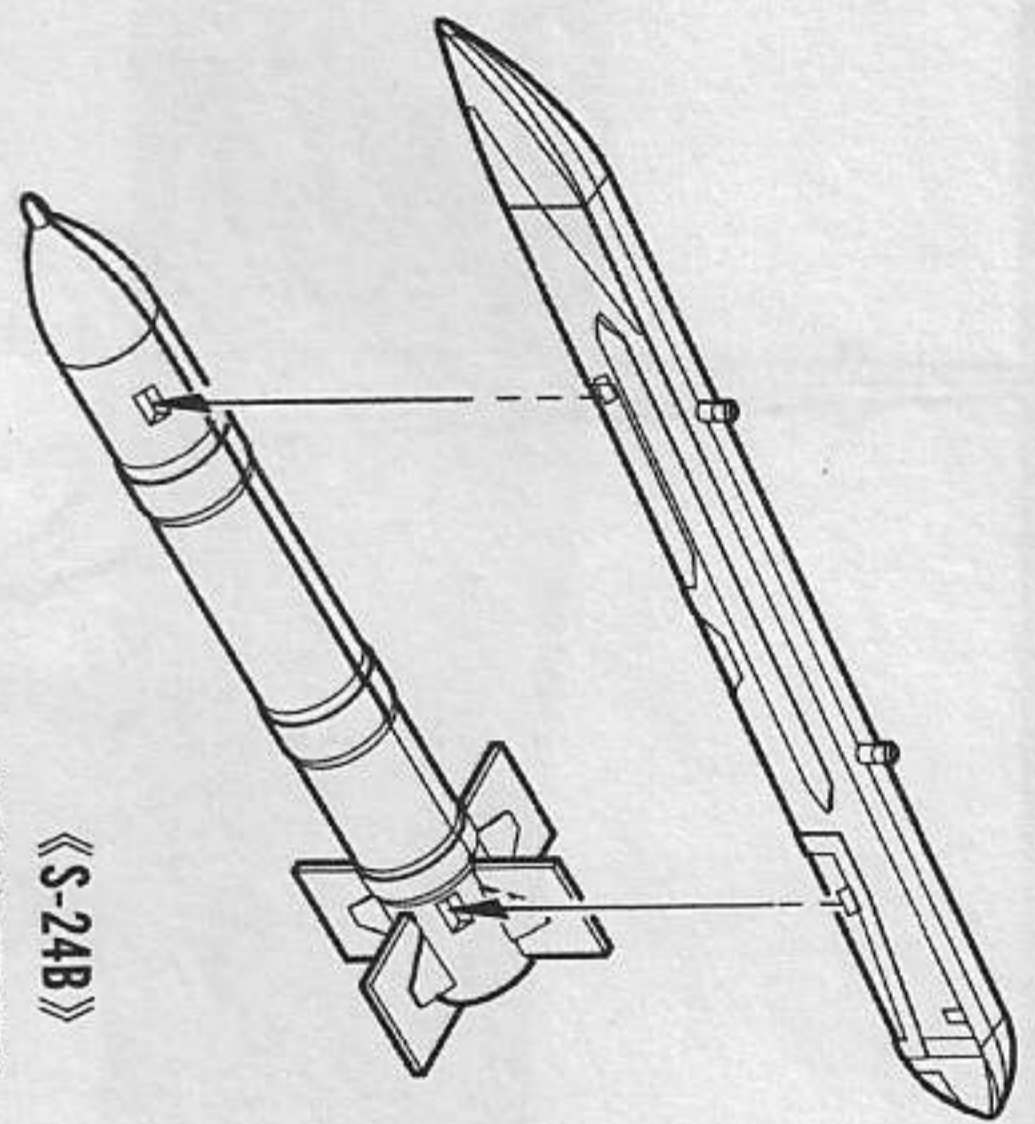
10
STEP



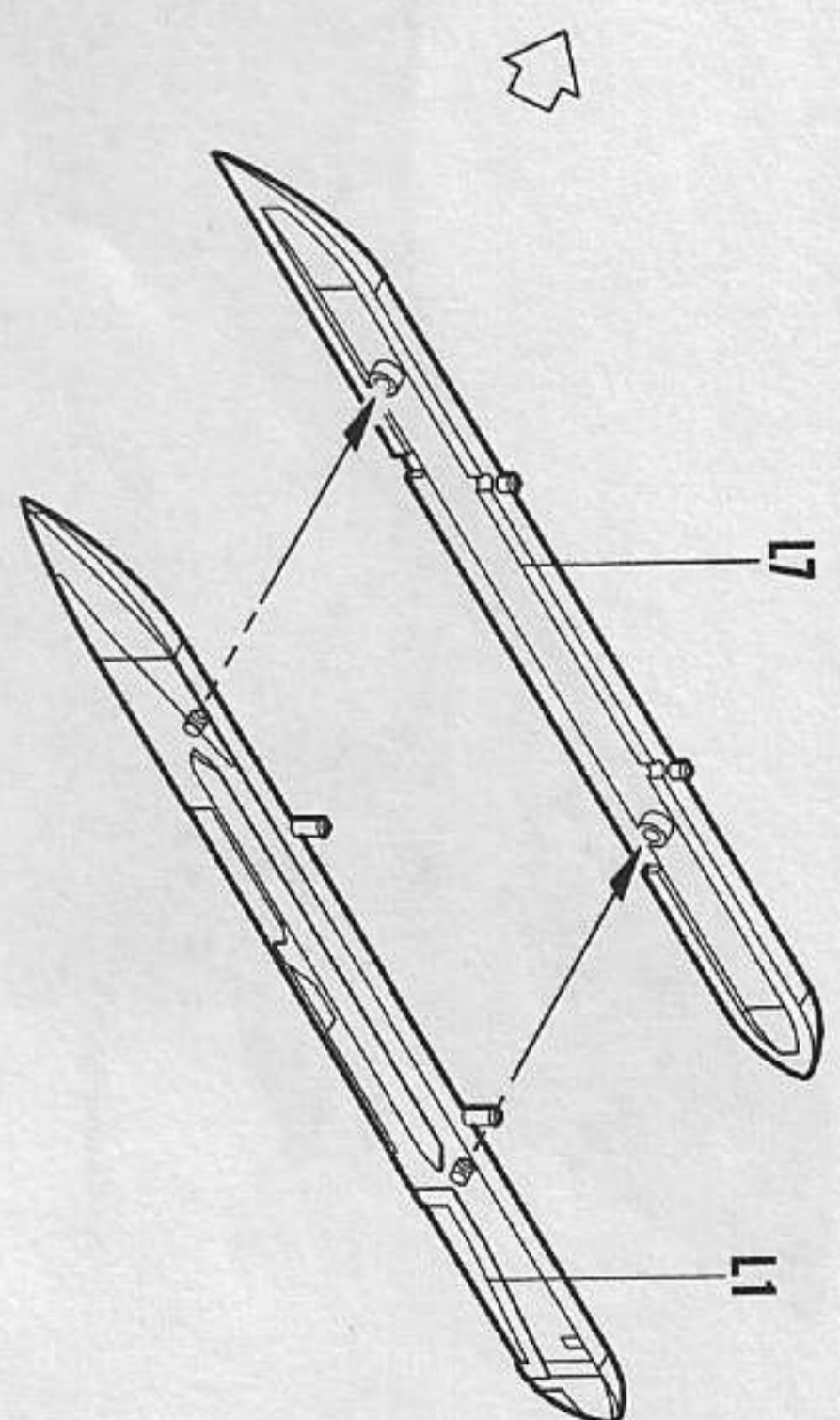
20
STEP



《制作两组》
Make two

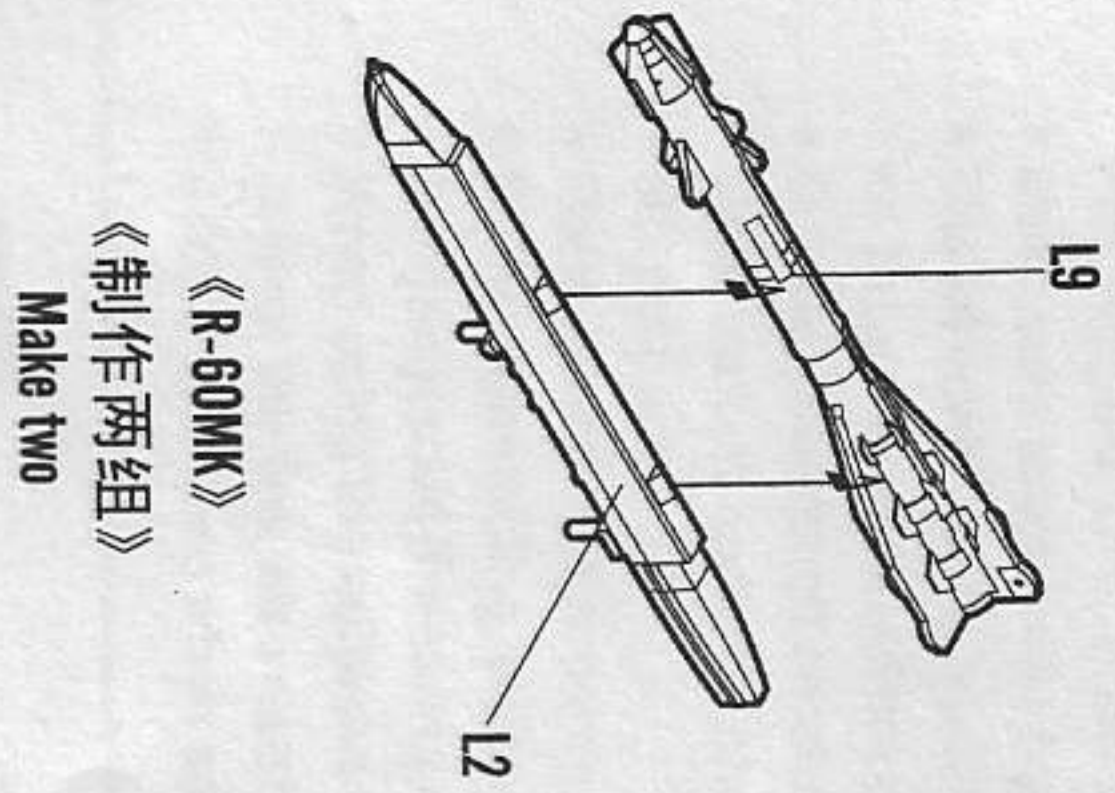


《S-24B》
《制作两组》
Make two



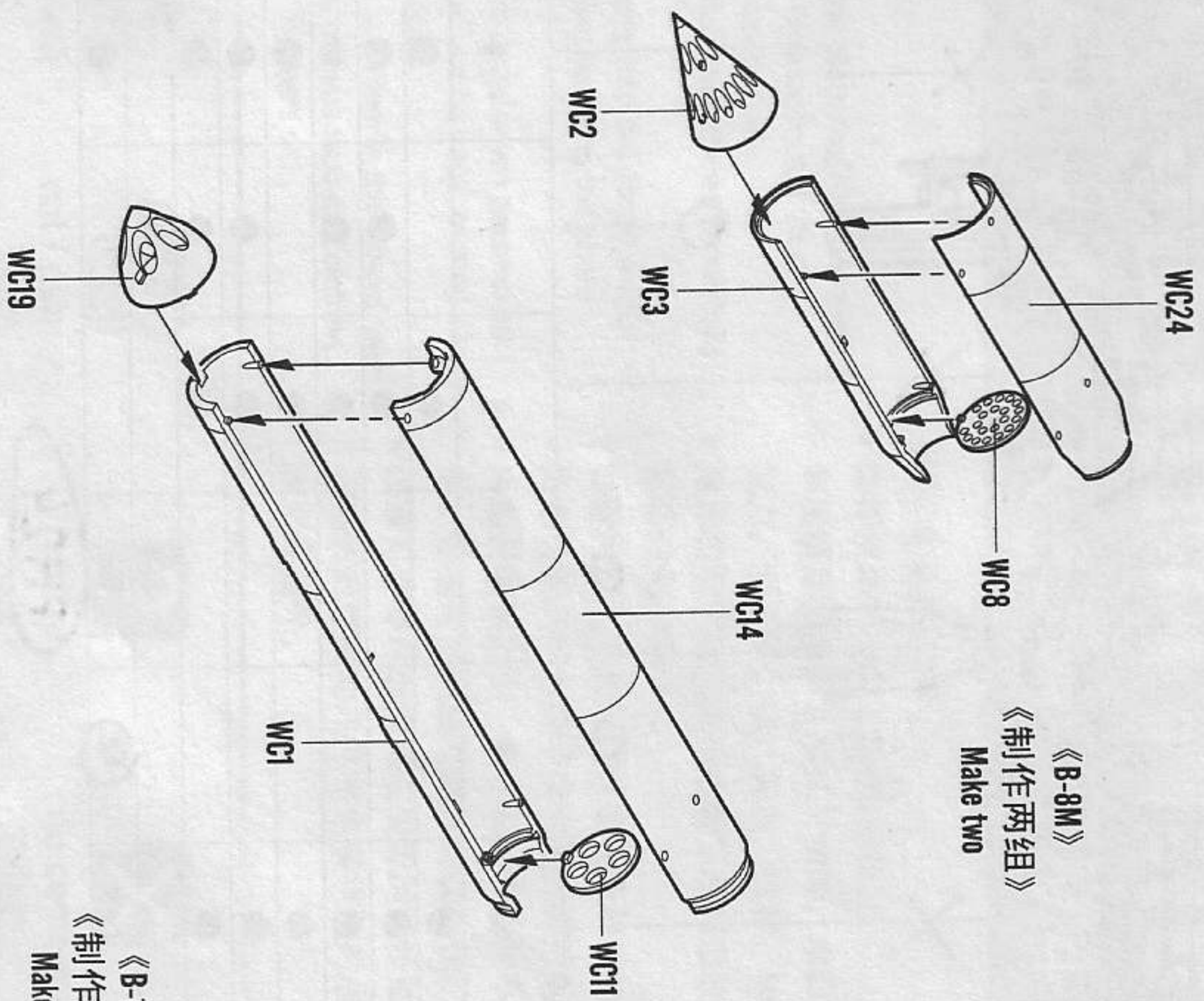
《制作两组》
Make two

21
STEP



《R-60MK》
《制作两组》
Make two

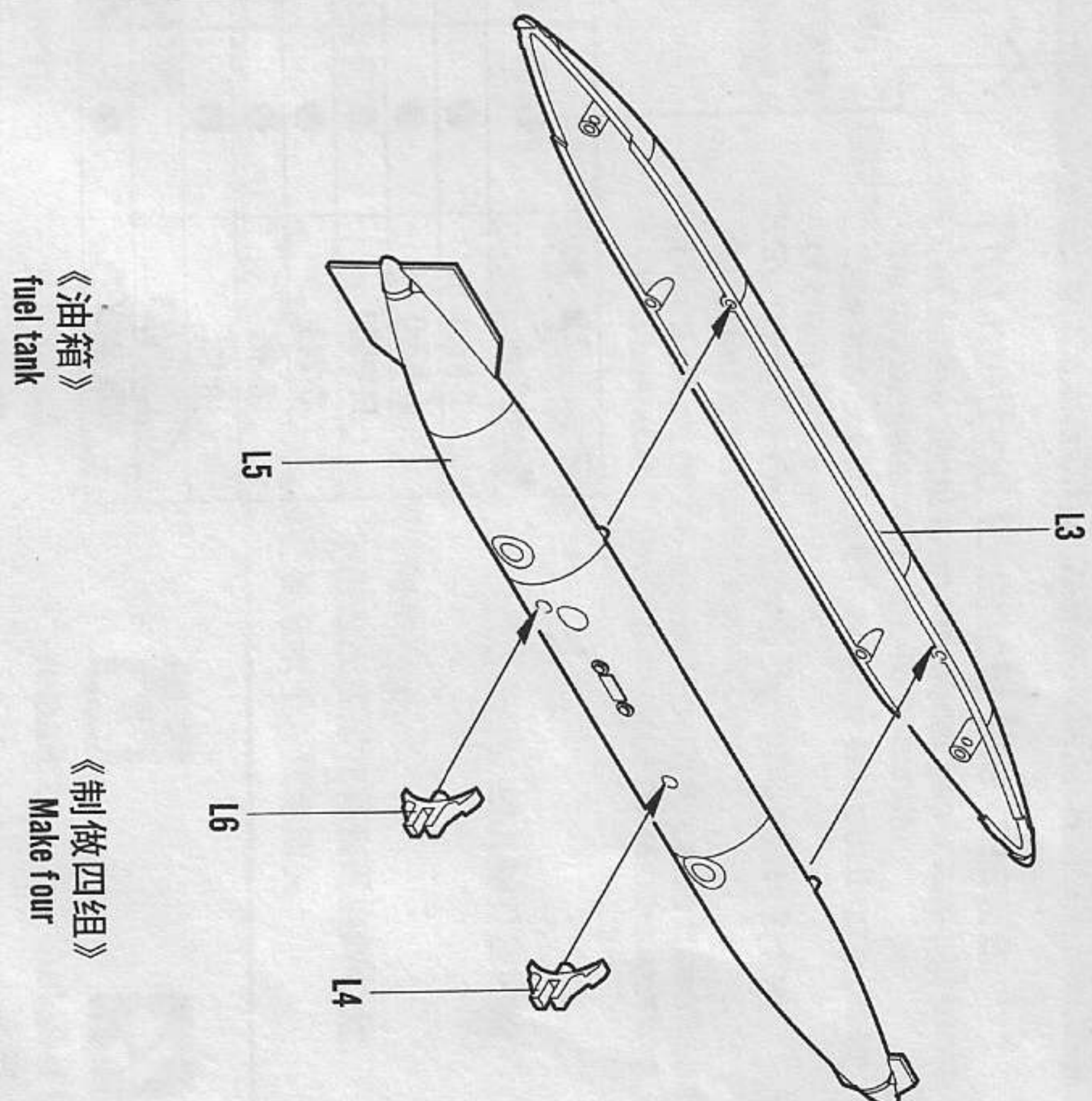
22
STEP



《B-8M》
《制作两组》
Make two

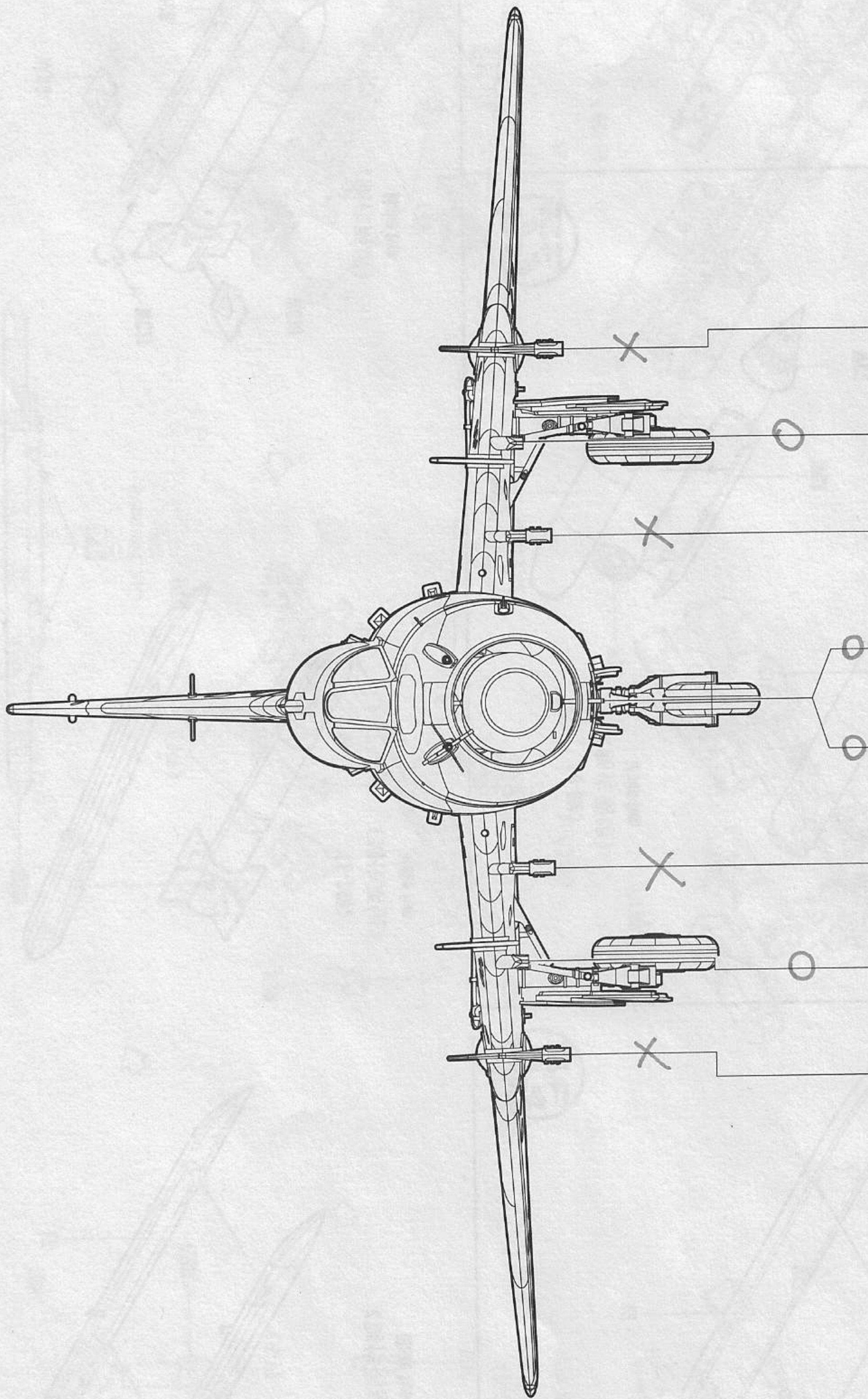
《B-13L》
《制作两组》
Make two

23
STEP



《油箱》
fuel tank

《制作四组》
Make four



Sta . No.	1	2	3	4	5	6	7	8
Missile/Tank								
A-B100	●		●			●		●
A-B250	●	●	●			●	●	●
FA-B500	●	●	●			●	●	●
S-24B	●		●			●		●
B-8M	●	●	●			●	●	●
B-13L	●	●	●			●	●	●
R-60MK		●					●	
FUEL TANK	●			●	●			●

PH24