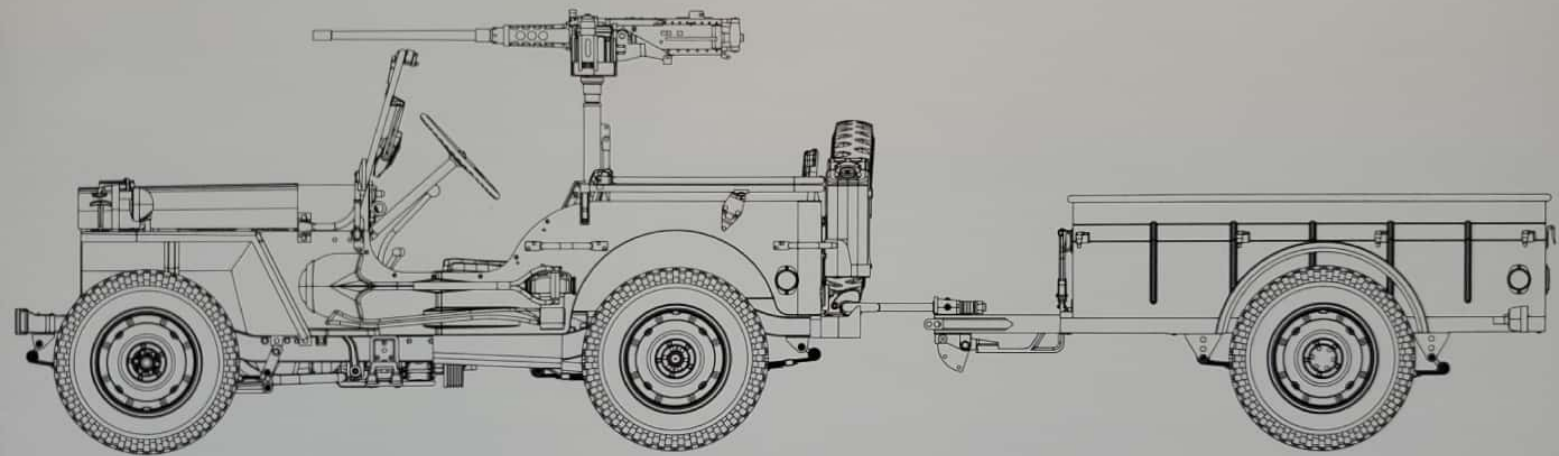


# U.S. ARMY 1/4 TON UTILITY TRUCK WITH 1/4 TON UTILITY TRAILER & MP FIGURE



Powered by a 60hp engine, the U.S. Army 1/4-ton trucks were wildly popular off-road capable light utility vehicles, built in large numbers to a standardized design from 1941 to 1945, for the Allied forces in World War II. With an operational range of 300 miles, the 1/4-ton truck became the primary light wheeled transport vehicle of the United States military and its allies in World War II, as well as the postwar period. About 650,000 units were built, constituting a quarter of the total U.S. non-combat motor vehicles produced during the war, with large numbers being provided to U.S. allies.

03.02.2126

## READ BEFORE ASSEMBLY

### CAUTION

- Read carefully and fully understand the instructions before commencing assembly. A supervising adult should also read the instructions if a child assembles the model.
- When assembling this kit, tools including knives used. Extra care should be taken to avoid personal injury.
- Keep out of reach of small children. Children must not be allowed to suck any part, or pull vinyl bag over their heads.



Optional Instant Glue for Metal

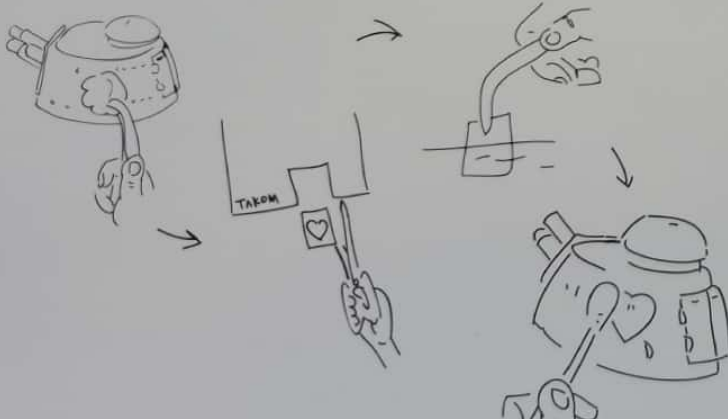
### PAINTS REQUIRED

Color info and profiles by Mig Jimenez

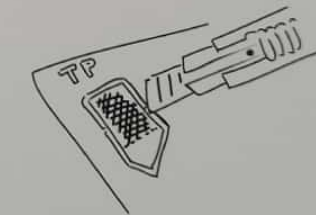
|             |                  |             |               |             |                    |             |                     |
|-------------|------------------|-------------|---------------|-------------|--------------------|-------------|---------------------|
| A.MIG-0033  | Rubber & Tires   | A.MIG-0006  | Green Khaki   | A.MIG-0032  | Satin Black        | A.MIG-0048  | Gun Metal           |
| A.MIG-0190  | Silver           | A.MIG-0084  | Crystal Glass | A.MIG-0089  | Crystal Red        | A.MIG-0036  | Old Wood            |
| A.MIG-0926  | Olive Drab Base  | A.MIG-0027  | New Wood      | A.MIG-0047  | Satin White        | A.MIG-0038  | Light Wood          |
| A.MIG-0081  | US Olive Drab    | A.MMO.F-508 | Brown Base    | A.MMO.F-509 | Uniform Green Base | A.MMO.F-510 | Uniform Sand Yellow |
| A.MIG-0110  | Light Skin Tone  | A.MMO.F-511 | Light Sand    | A.MIG-0118  | Basic Skin Tone    | A.MIG-0117  | Warm Skin Tone      |
| A.MMO.F-505 | Dark Olive Green | A.MIG-0181  | Steel         | A.MMO.F-507 | White for figures  | A.MMO.F-502 | Outlining Black     |

### APPLYING DECALS

1. Clean the model surface with a wet cloth.
2. Cut out each decal design from sheet, and dip it in tepid water for 15-20 sec.
3. Hold the backing sheet edge and slide decal onto the model.
4. Move decal into position by wetting decal with finger.
5. Press decal gently down with a soft cloth until excess water and air bubbles are gone.



### REMOVING PE



Be careful not to hurt when removing PE parts.

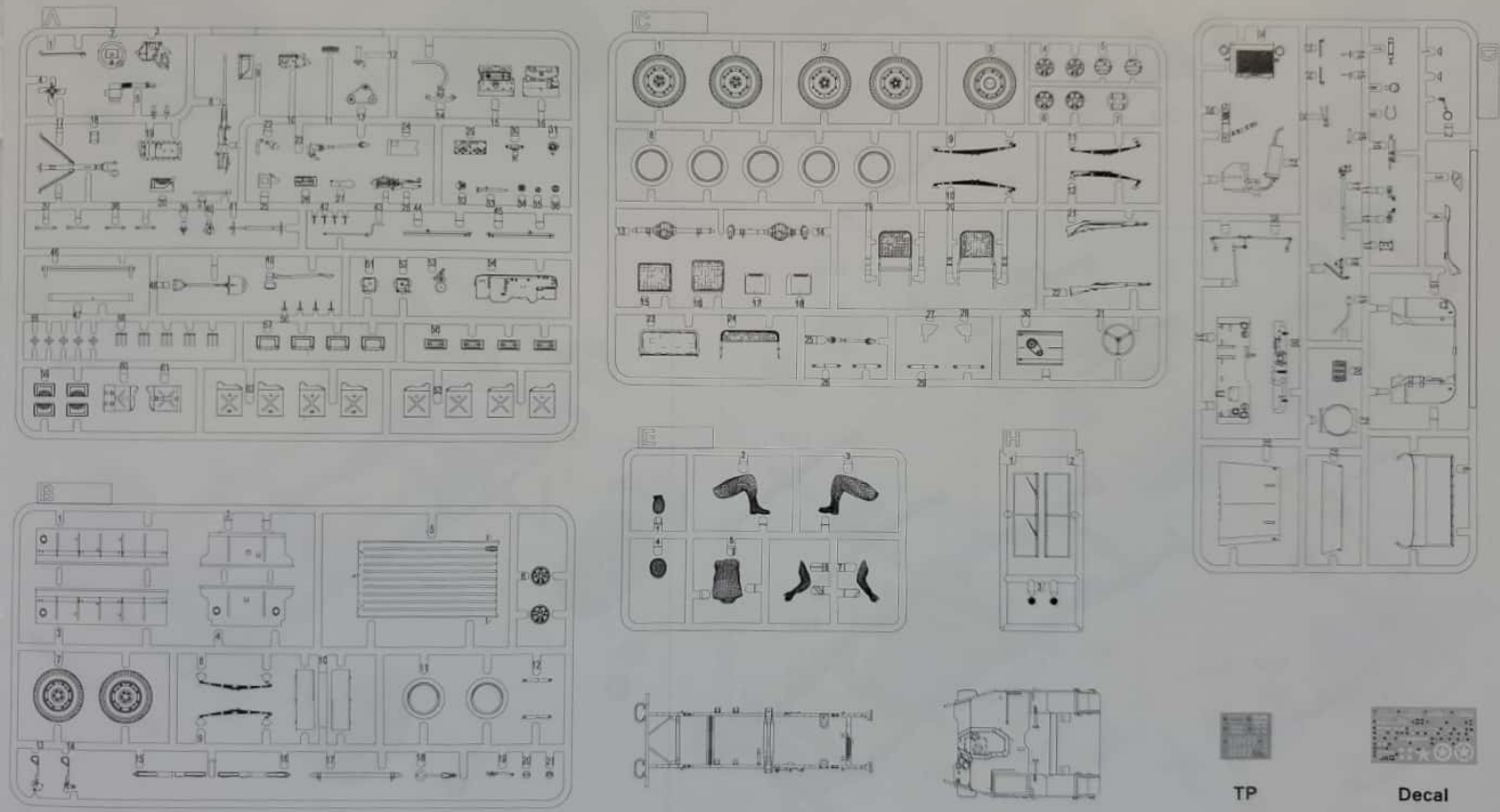


Secure using instant glue (not included).

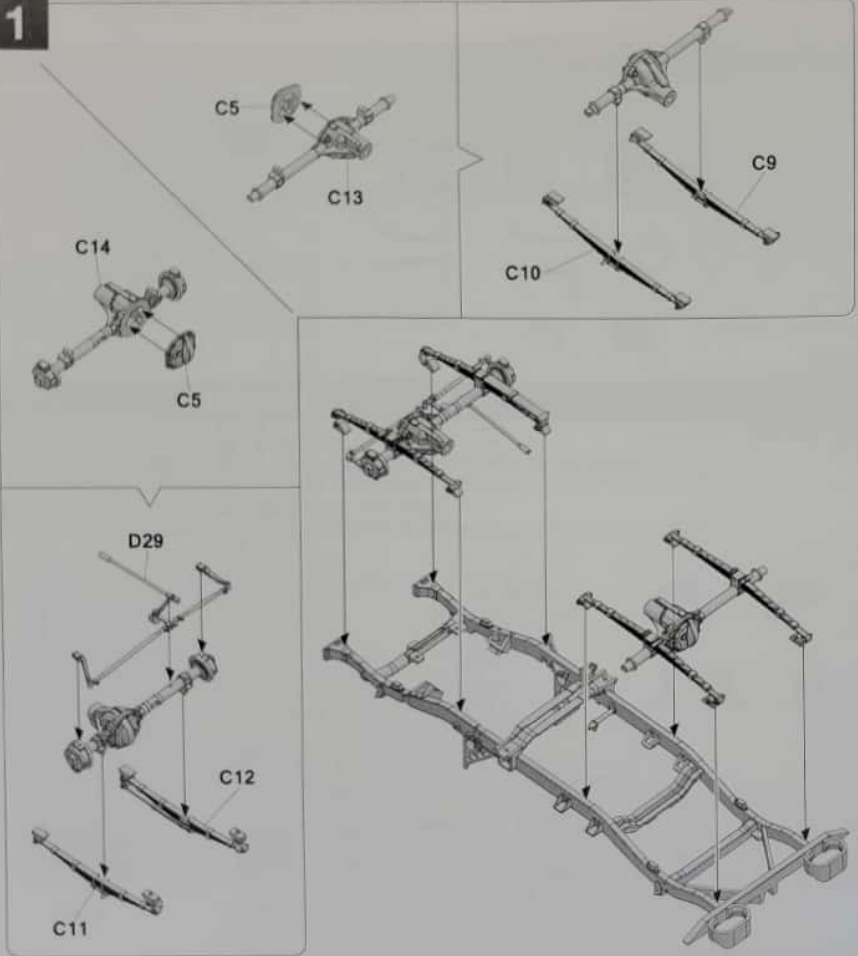


Finish using file.

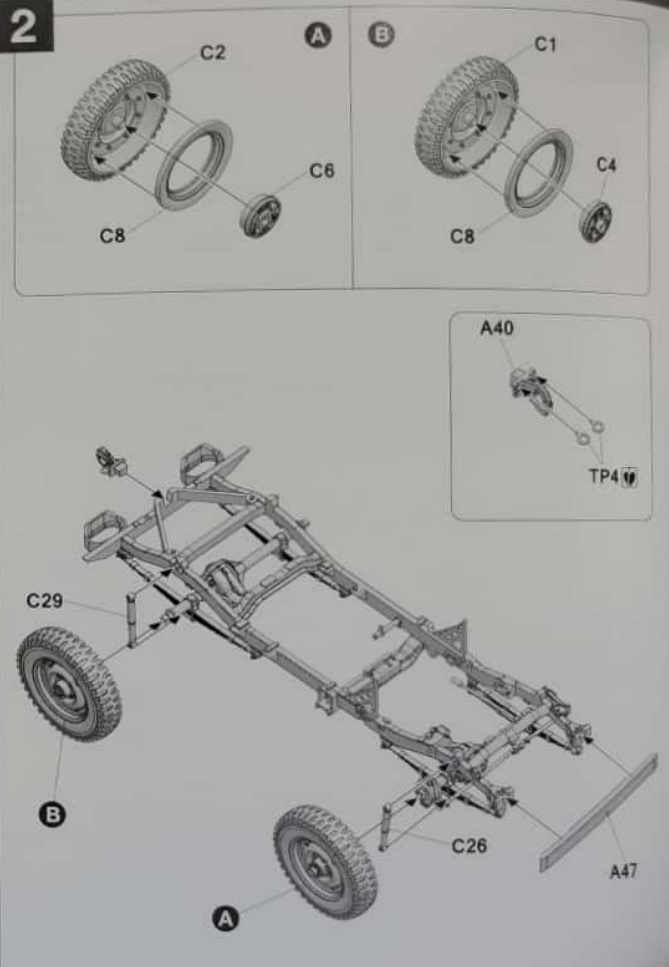
# PARTS



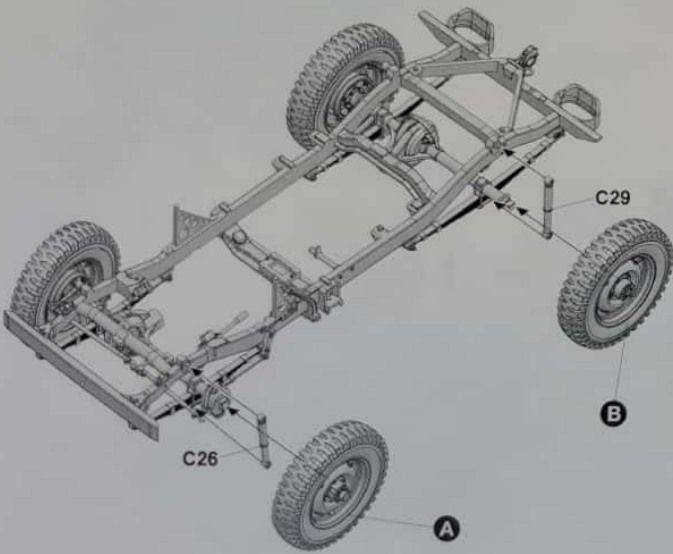
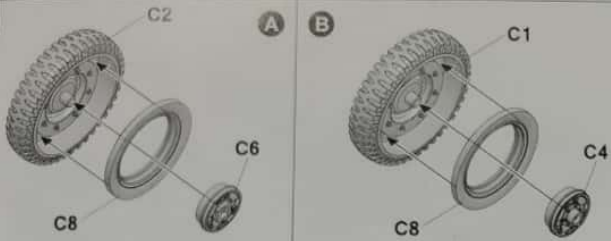
1



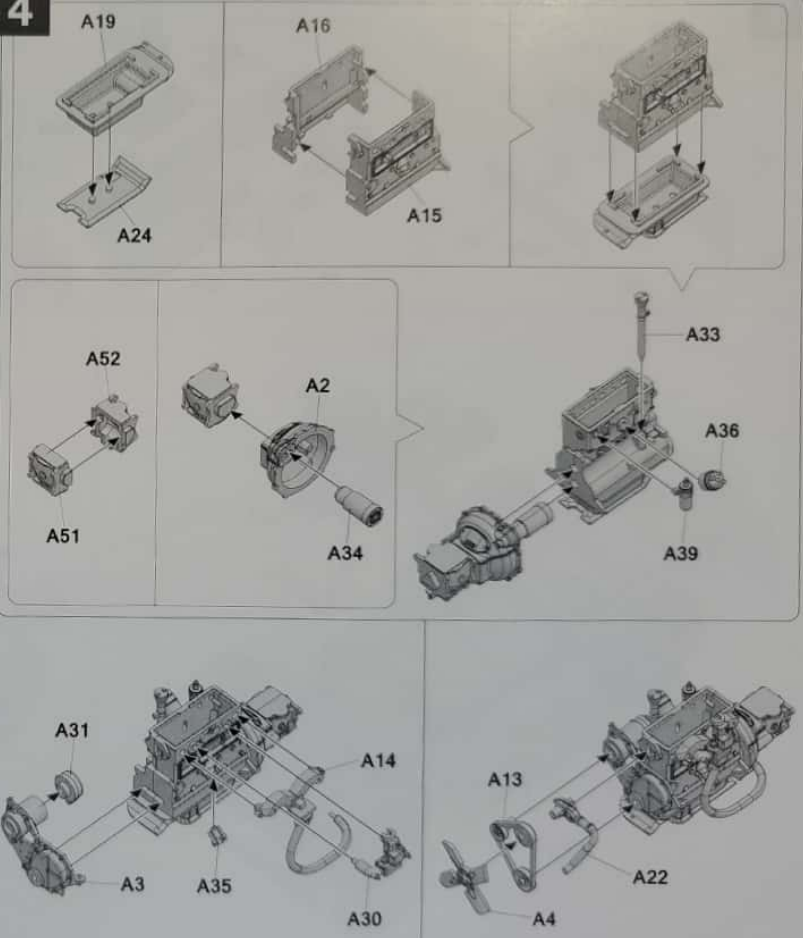
2



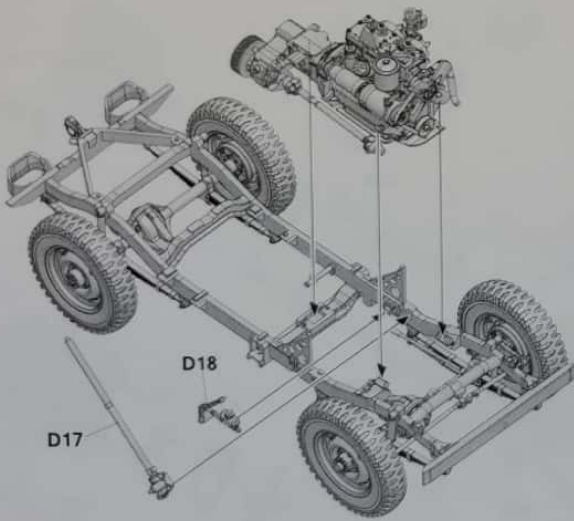
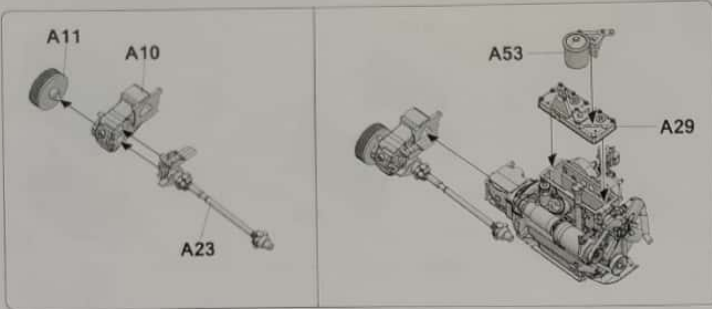
3



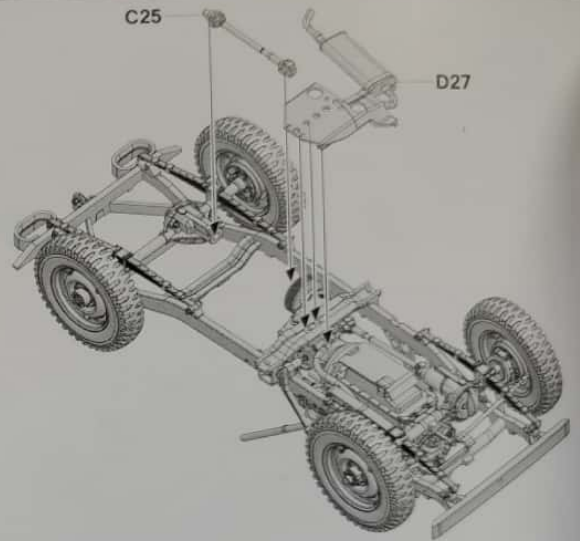
4



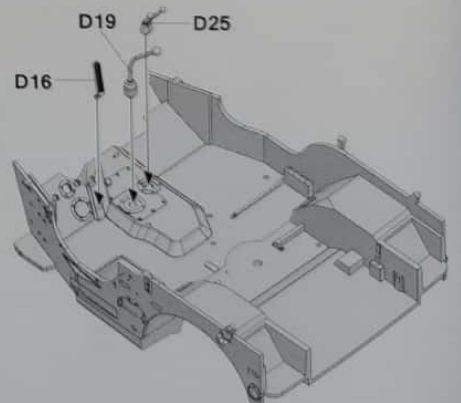
5



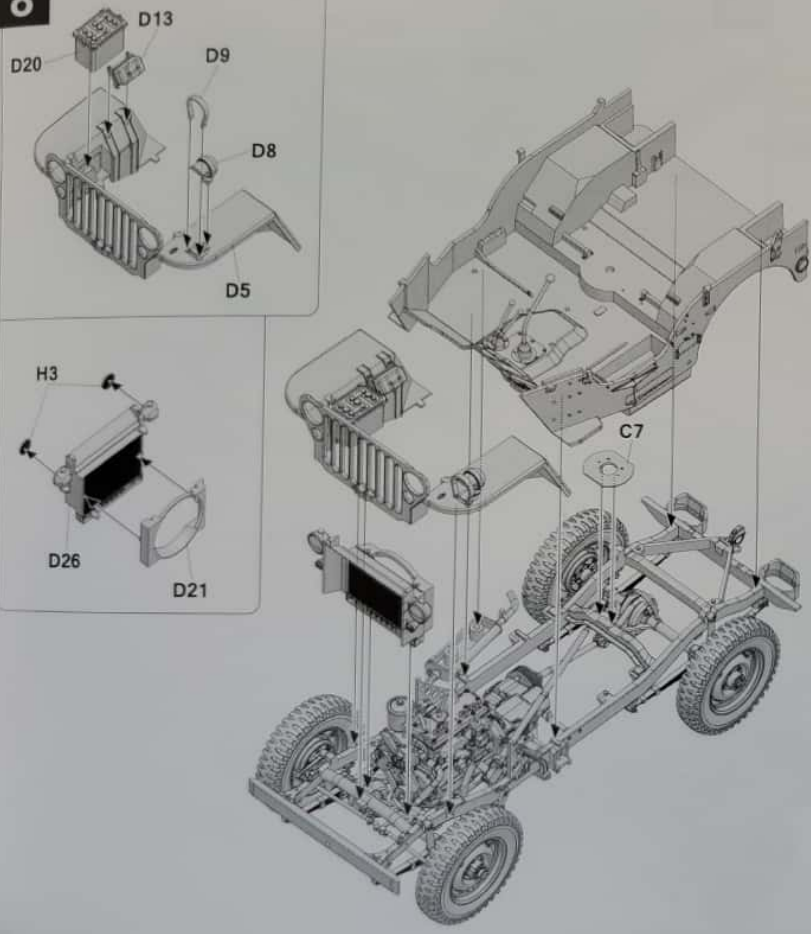
6



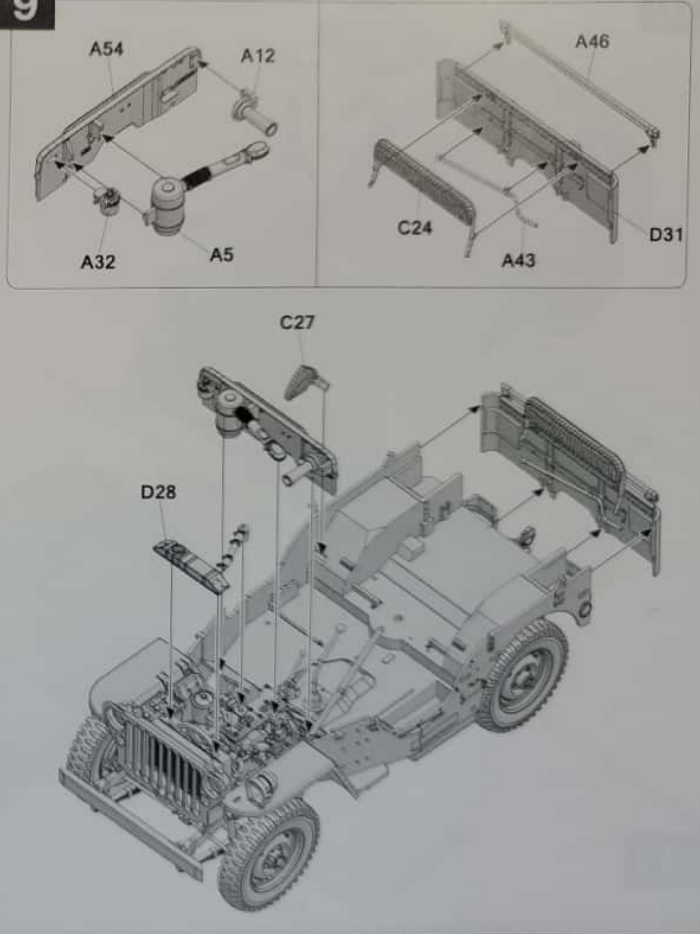
7



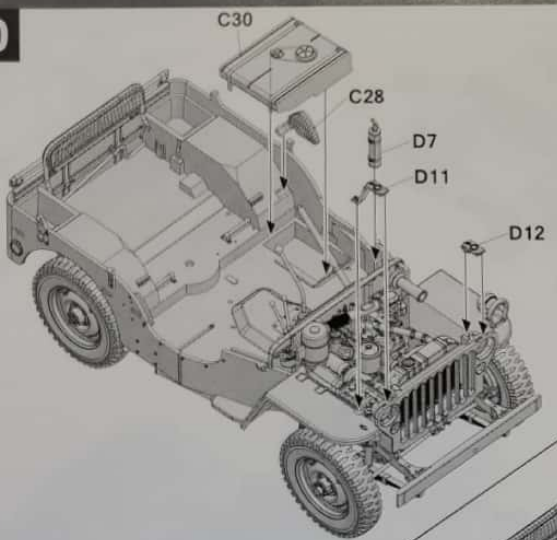
8



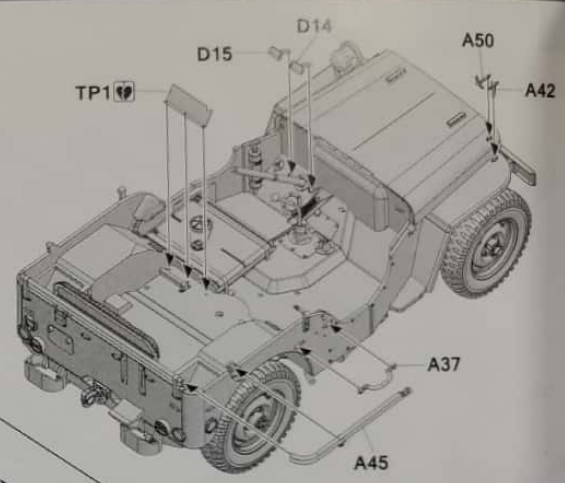
9



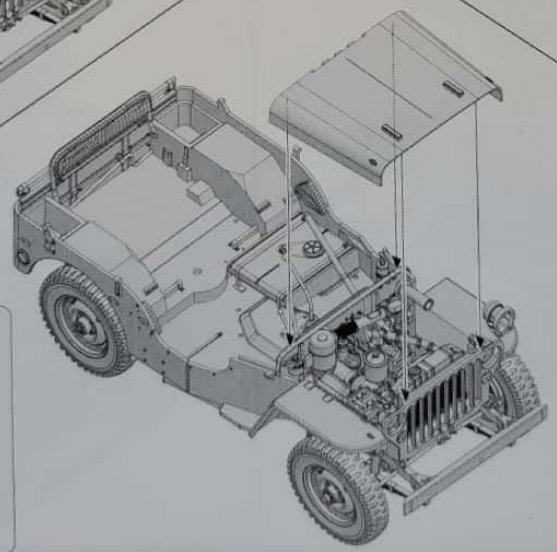
10



12

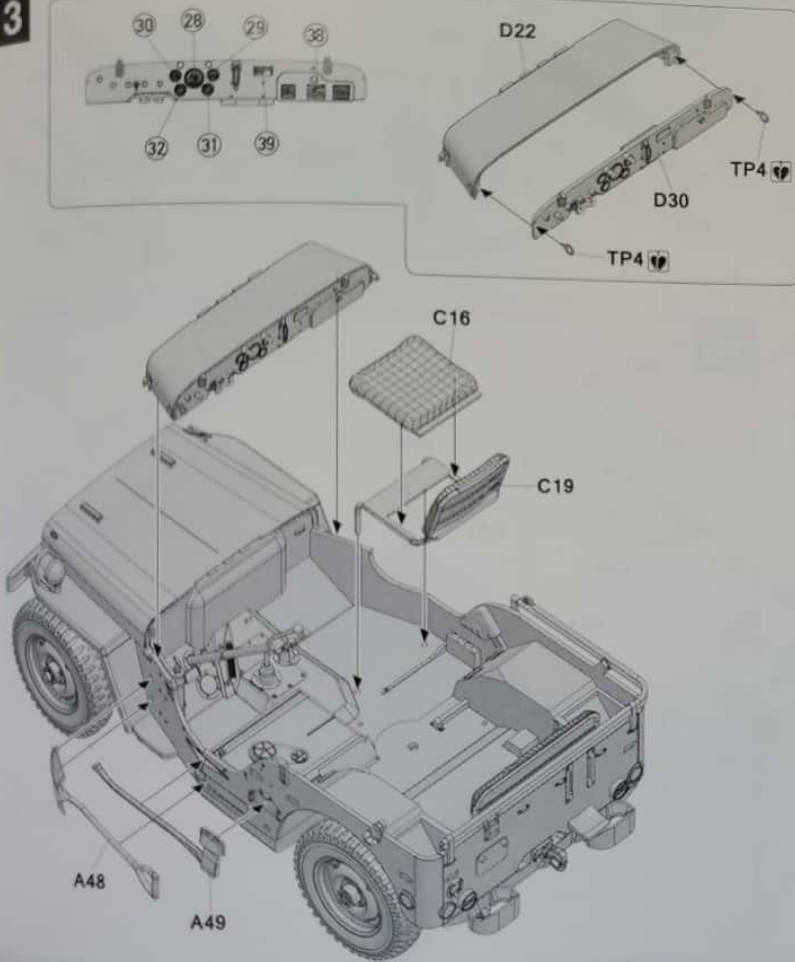


11

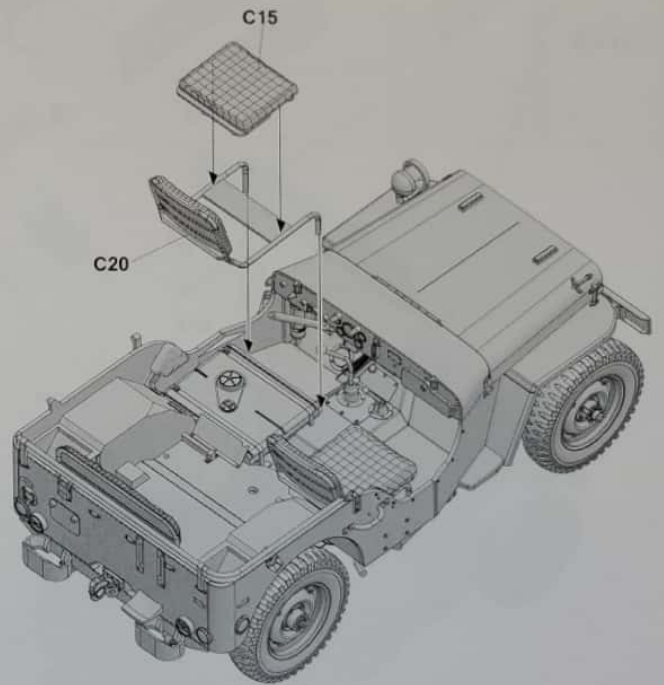




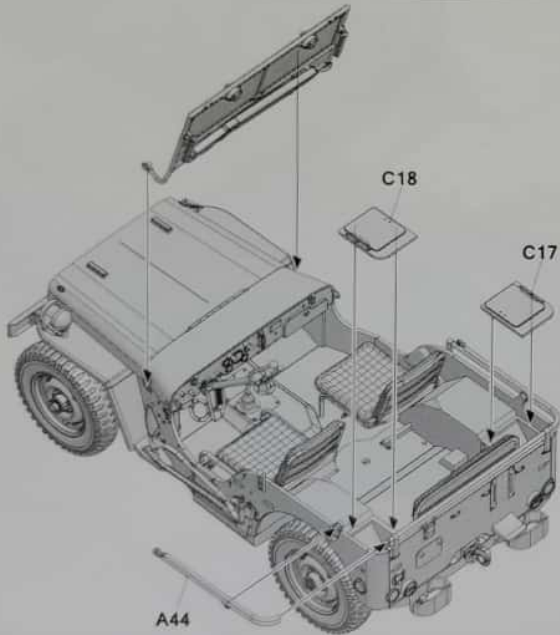
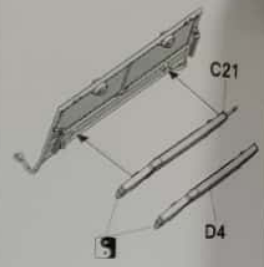
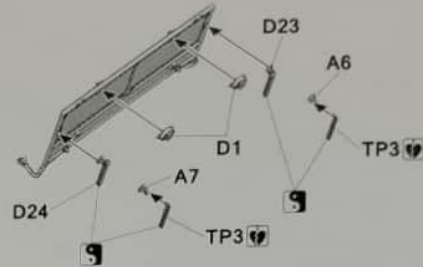
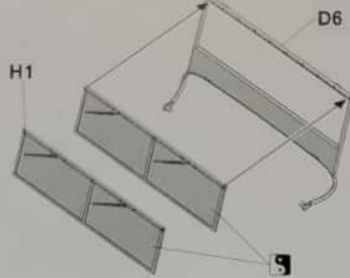
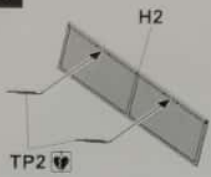
13



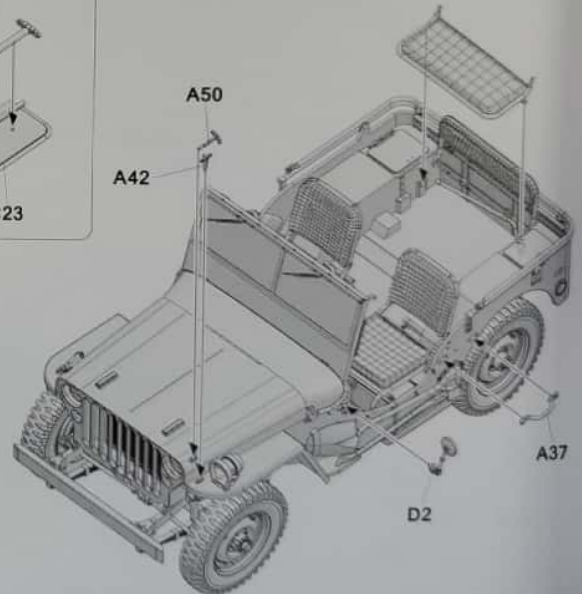
14



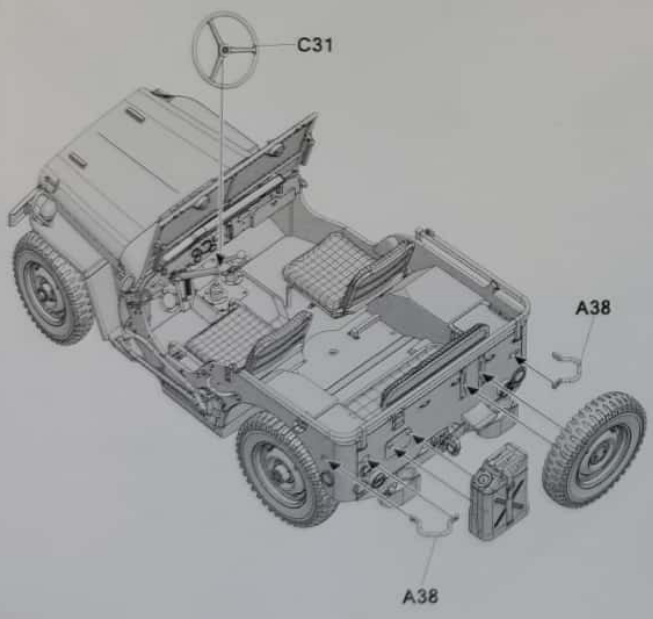
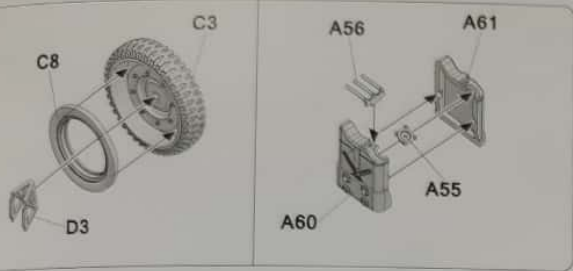
15



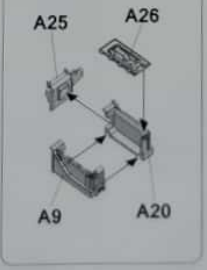
16



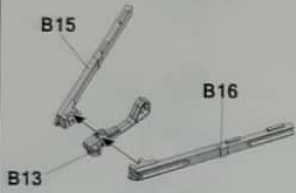
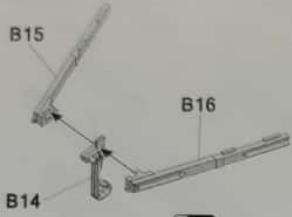
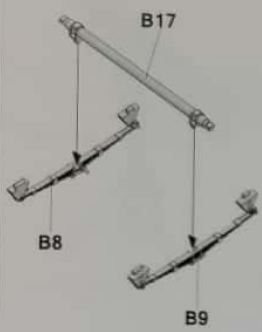
17



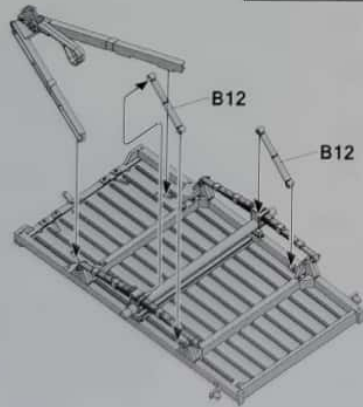
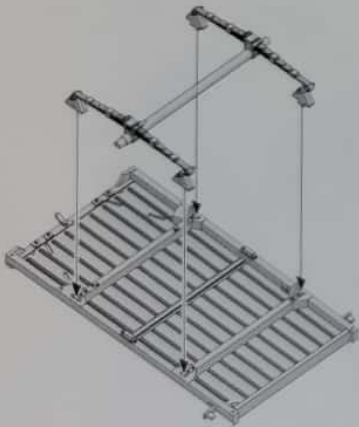
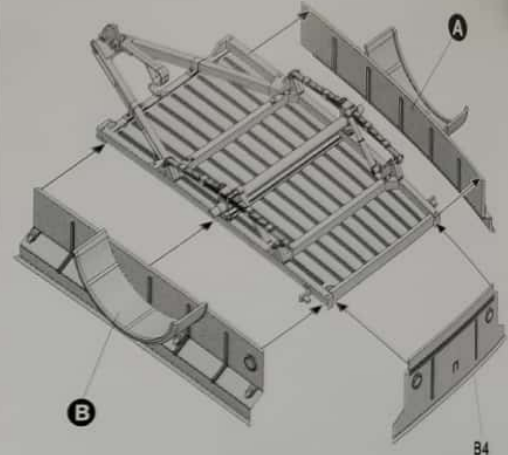
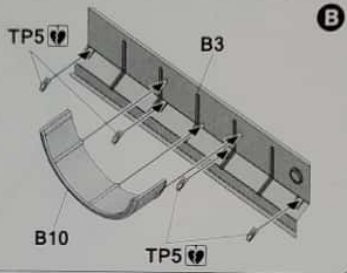
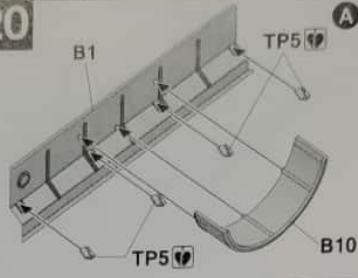
18



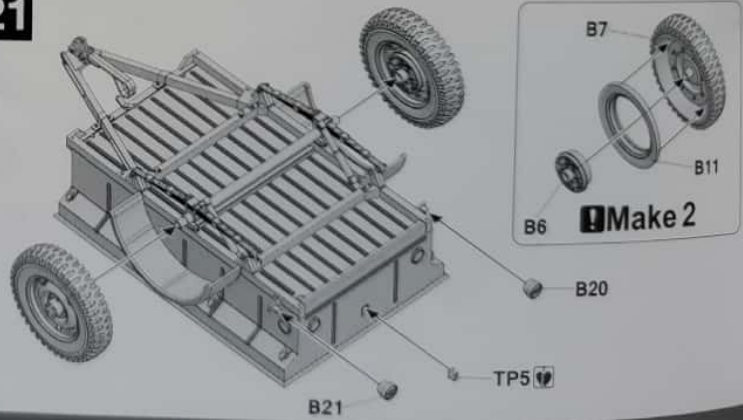
19

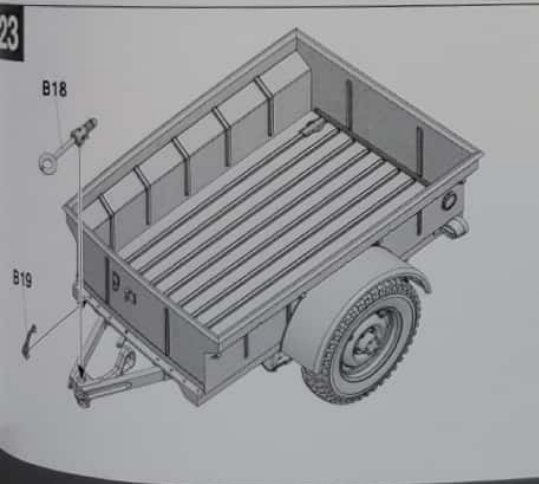
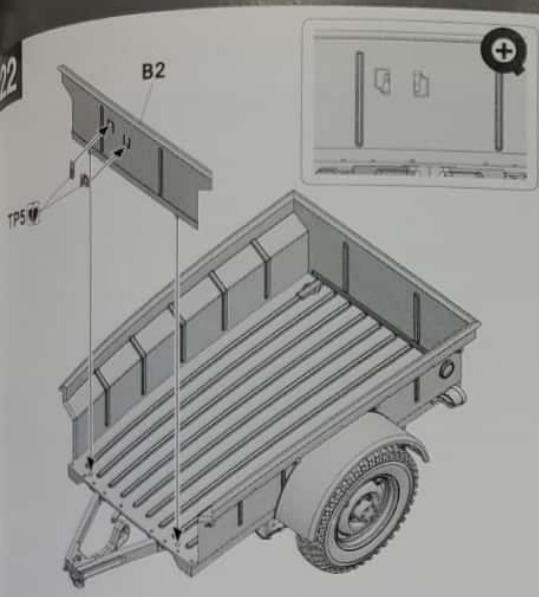


20

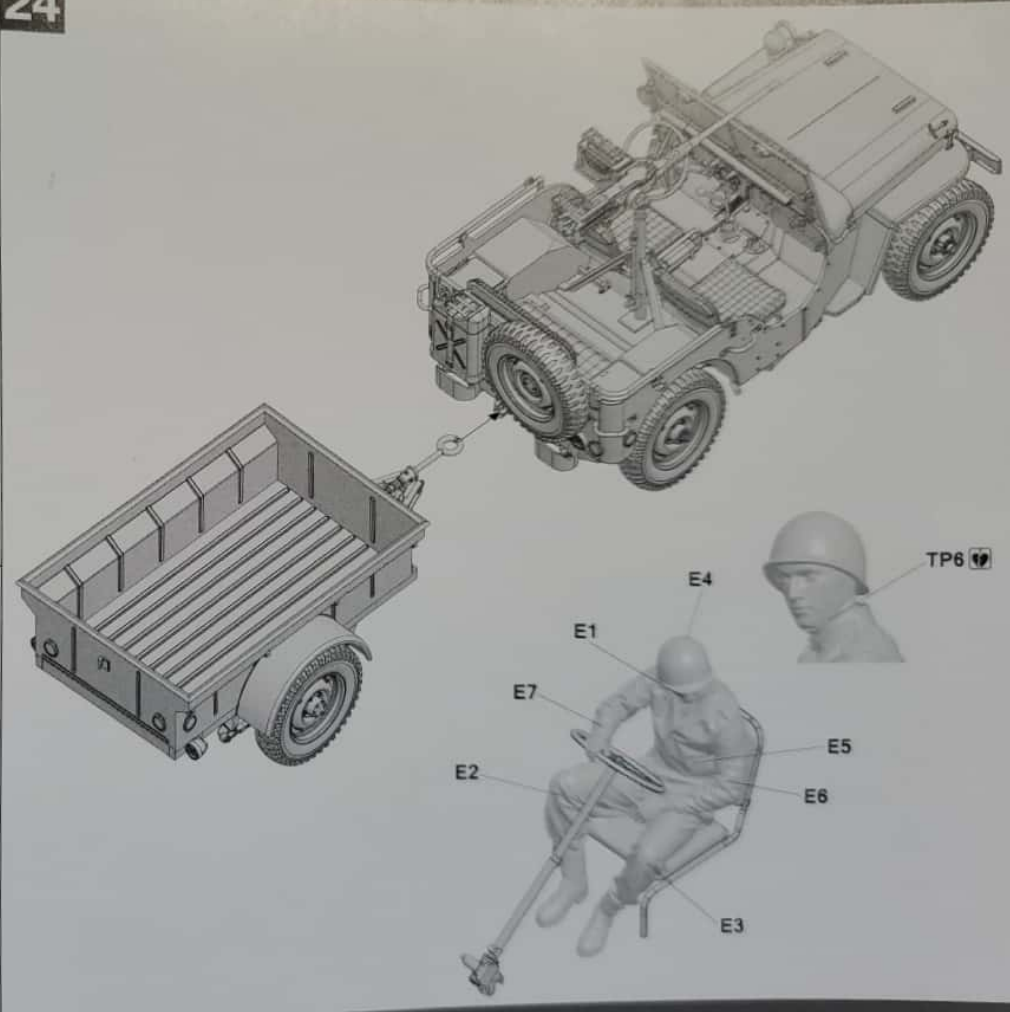


21





24



12

03.03.2126



# UTILITY TRUCK WITH 1/4 TON TRAILER

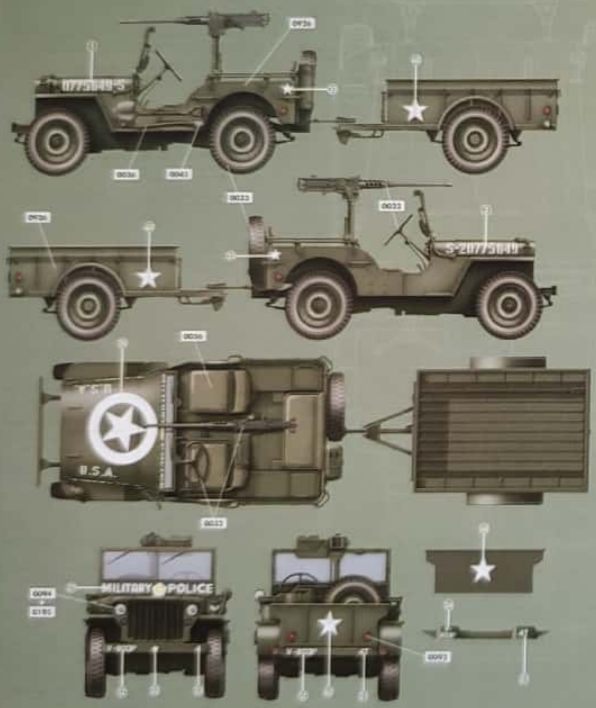


www.migmodels.com

## Painting and Marking Guide

TAKOM Ref: 2126

803rd Military Police Company  
Vehicle 4, Cambrai/Avon, May 1945



- WEATHERING STEPS WITH AMMO PRODUCTS**
- 1 GENERAL WASH**  
A MIG-1002 Dark Brown Wash for Green
  - 2 FILTER**  
A MIG-1028 Gravel for Grey Green
  - 3 STEERING**  
A MIG-1202 Steering Grease
  - 4 WHEELS WASH**  
A MIG-1408 Curry Earth
  - 5 TANNING**  
A MIG-1200 Unweathering Tan Oil
  - 6 DIRT**  
A MIG-808 Loose Earth
  - 7 RUST**  
A MIG-1704 Irons Earth
  - 8 SPLASHES**  
A MIG-1702 Taned Oil

03.03.2126



# UTILITY TRUCK WITH 1/4 TON TRAILER

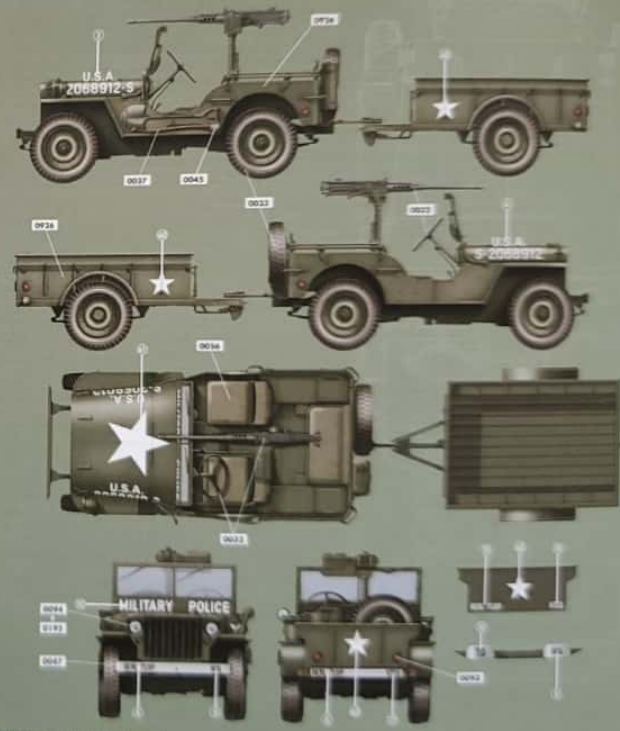
www.migmodels.com



## Painting and Marking Guide

TAKOM Ref: 2126

759th Military Police Battalion  
HQ Vehicle 5, Berlin, Germany, June 1945



- WEATHERING STEPS WITH AMMO PRODUCTS**
- 1 GENERAL WASH**  
A MIG-1002 Dark Brown Wash for Green
  - 2 FILTER**  
A MIG-1028 Gravel for Grey Green
  - 3 STEERING**  
A MIG-1202 Steering Grease
  - 4 WHEELS WASH**  
A MIG-1408 Curry Earth
  - 5 TANNING**  
A MIG-1200 Unweathering Tan Oil
  - 6 DIRT**  
A MIG-808 Loose Earth
  - 7 RUST**  
A MIG-1704 Irons Earth
  - 8 SPLASHES**  
A MIG-1702 Taned Oil



03.03.2126

# UTILITY TRUCK WITH 1/4 TON TRAILER

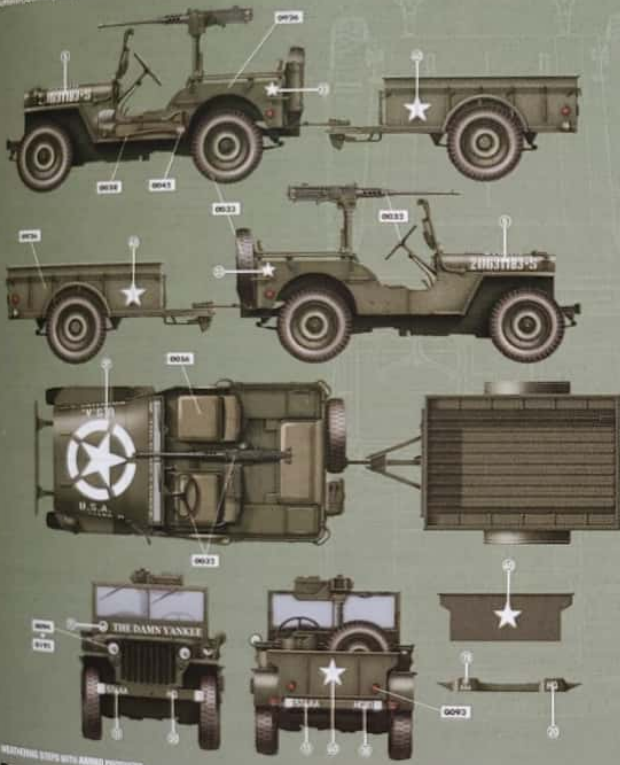
www.migjenez.com



## Painting and Marking Guide

TAKOM Ref: 2126

55th Anti-Aircraft Artillery (Automatic Weapons)  
Bathlin, Germany, May 1945



### WEATHERING STEPS WITH AMMO PRODUCTS

- GENERAL WASH**  
A.MIG-102 Sat Brown Wash for Green
- WASH**  
A.MIG-128 Green for Grey Green
- STREAKING**  
A.MIG-128 Dark Streaking Grease
- WHEELS WASH**  
A.MIG-182 Kuroshi Sol
- RAMMING**  
A.MIG-128 Streaking/Grease Coat
- DIRT**  
A.MIG-2011 Ashed Dirt
- MUD**  
A.MIG-1722 Tarned Earth
- SPLASHES**  
A.MIG-1711 Dry Sludge



03.03.2126

# UTILITY TRUCK WITH 1/4 TON TRAILER

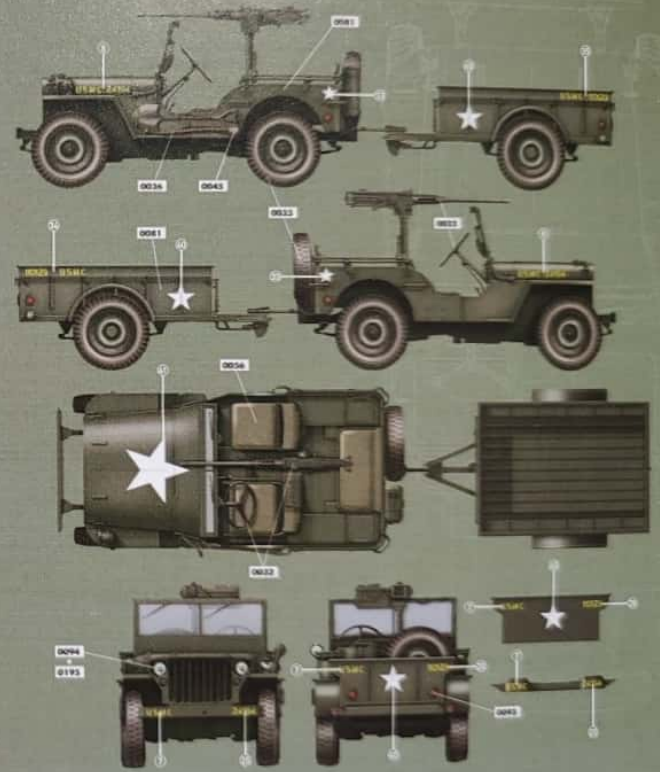
www.migjenez.com



## Painting and Marking

TAKOM Ref: 2126

U.S.A.C. 24194, Chester, Missouri,  
Kansas 1950



### WEATHERING STEPS WITH AMMO PRODUCTS

- GENERAL WASH**  
A.MIG-102 Dark Wash
- FILTER**  
A.MIG-128 Brown for Dark Green
- STREAKING**  
A.MIG-128 Streaking/Grease Coat
- WHEELS WASH**  
A.MIG-182 Dark Mud
- RAMMING**  
A.MIG-128 Ramming Effects
- DIRT**  
A.MIG-2029 Silver Sol
- MUD**  
A.MIG-1722 Wet Mud
- SPLASHES**  
A.MIG-1714 Sludge Earth

03.03.2126



# U.S. ARMY INFANTRYMAN WWII

www.migjames.com



Painting and Marking Guide

TAKOM Ref: 2126

|             |             |             |             |
|-------------|-------------|-------------|-------------|
| 03001-03002 | 03003-03004 | 03005-03006 | 03007-03008 |
| 03009-03010 | 03011-03012 | 03013-03014 | 03015-03016 |



You can find some of these paints in this AMIG colour set

**A.MIG-7168**  
Flash Tones Set

**A.MIG-7022**  
US Forces  
Multicolor WW2

1/35 NO.2820

U.S. ARMORED COMBAT EARTHMOVER  
**M9 ACE**

TAKOM

SpPz 2 Luchs A1/A2 **2 IN 1**

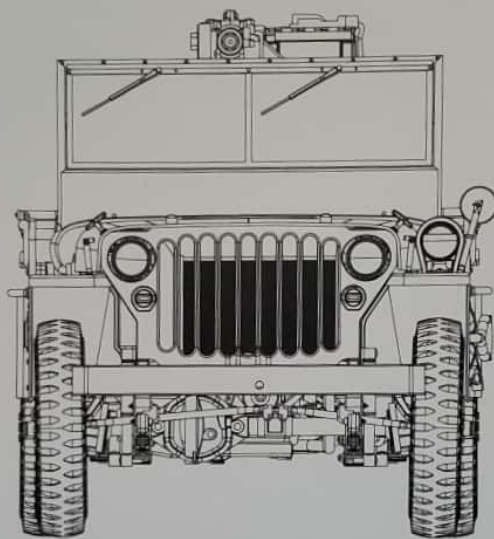
1/35 NO.2017

TAKOM





2019/2126



 You can find TAKOM on Facebook.com