



AAVR-7A1 RAM/RS

AAVR-7A1 回收型

AAVR-7A1 RAM/RS改进型两栖维修车

PLEASE READ BEFORE OPERATION!

- * Tools recommended as below: (Not included)
Adhesives; Paints; Side Cutters; Sharp Edged Pliers; Modeling Knife; Modeling File; Nippers; Drill; Scissors; Sand Paper; Soft Cloth; Cyanoacrylate Glue.
- * Make sure to read this instruction listed below before assembling.
- * The kit contains the small parts, they can be dangerous if swallowed by mistake, so keep them away from reach of children.
- * Cut the all parts off carefully and remove the waste parts into the garbage can.
- * More caution and care should be needed for cutting and handling the photo etched parts.
- * Make attention that some parts should be attached the decal when assembled.
- * During assembling, please tear up and throw away the plastic bags, or may cause the dangerous if wearing over head by children's mistake.
- * When using the adhesives and paints, please do not use them in the closed room or near the fire, also must be very careful to protect your eyes, face and clothes.
- * Adult supervised when assembled by children under 14 years old.

装配前请仔细阅读:

- * 推荐使用的模型工具(请自备):
专用模型胶水, 专用模型油漆, 水口剪刀, 长咀钳, 刀片, 锉刀, 镊子钳, 钻, 剪刀, 软布, 砂纸, 瞬间快干胶等。
- * 用水口剪刀或刀片小心切下所有塑胶零件和蚀刻片零件, 不要遗失小零件。
- * 切取蚀刻片时应特别注意防止利边划伤手指。
- * 用模型锉刀小心锉平所有零件表面的注射浇口。
- * 用适量的强力快干胶水粘合蚀刻片零件和金属轴, 切忌过量, 否则可能导致可动零件被粘住。
- * 注意某些零件表面需在装配时同步贴上水贴纸。
- * 制作时应远离幼儿并将包装袋及时收妥, 谨防小孩玩耍而引起意外。



using ca super glue
使用强力胶



weight
配重



make hole
钻孔



cut / remove
切除



option
选择



no cement
不涂胶水



decal
贴纸



bend
弯曲



repair
填补

The method to apply the decals

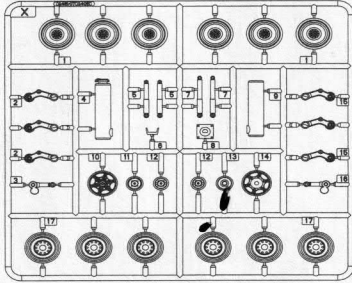
1. Cut off the decal from the decal paper and put it into the warm water 40°C for 10 seconds.
2. Take the decal from the water and put it on a piece of clean cloth.
3. Remove the decal slowly from the paper to the targeted location by a wet finger.
4. Use a piece of dry and soft cloth to press it gently on the decal until it getting dry and no bubble existing.

水贴纸的使用方法:

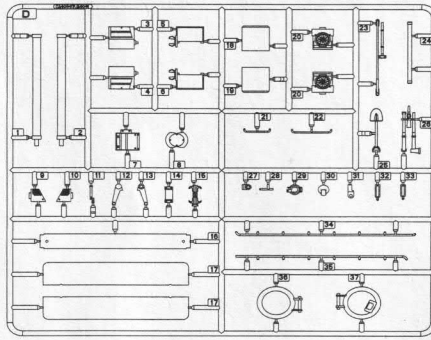
- 一. 把相关的印花从水贴上剪下, 放入40°C左右的温水中浸10秒。
- 二. 然后将印花放在干净的布上。
- 三. 拿上印花纸板, 手指蘸水将印花移到适当的位置。
- 四. 用软干布轻压印花直至水干, 气泡消失。

部品图 Parts

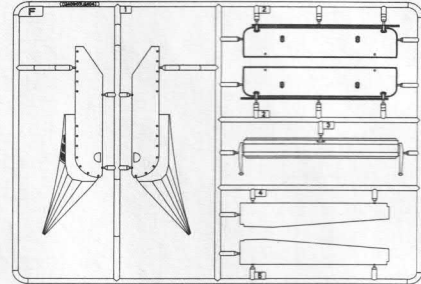
Xx2



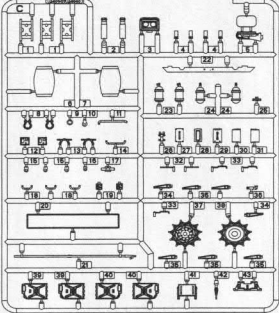
D



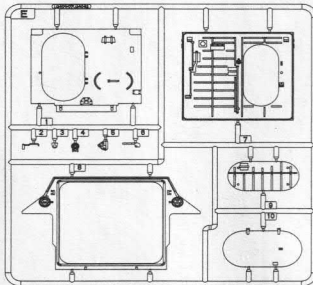
F



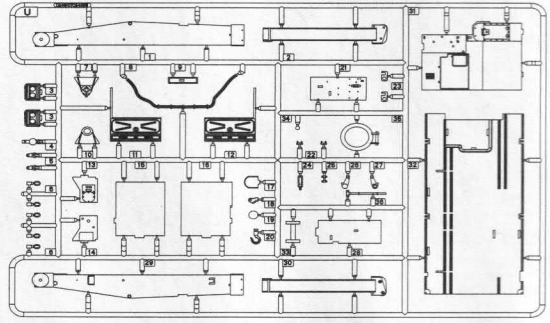
Cx2



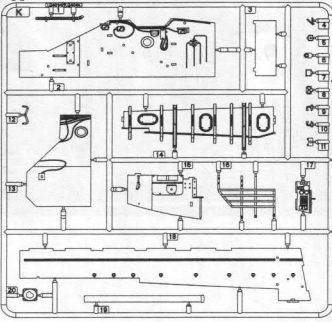
E



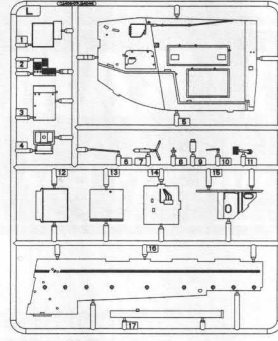
U



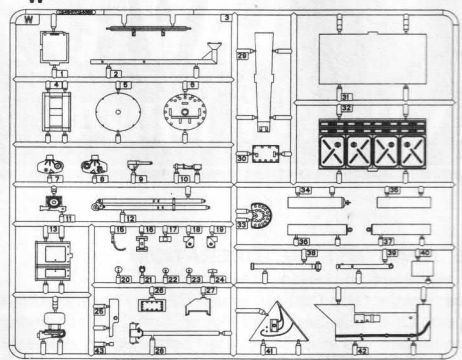
K



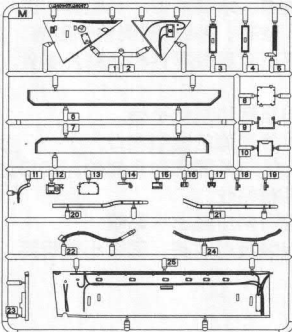
L



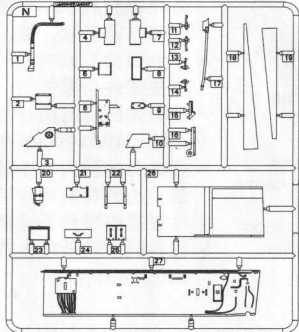
W



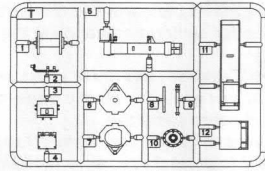
M



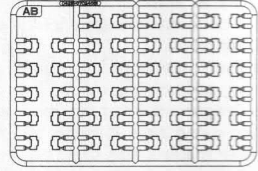
N



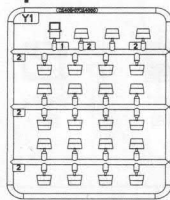
T



ABx4



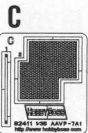
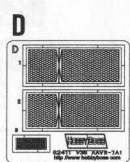
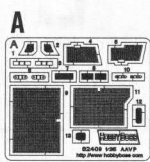
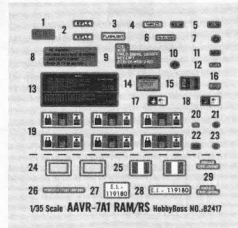
Y



蚀刻片

Photo etched part (PE)

水贴纸
Decal

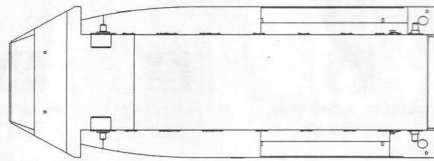


Track x90

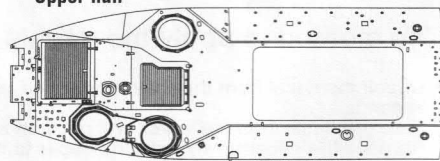
棉绳 $\varnothing 0.8 \times 2500\text{mm}$
Rope



车底
Lower hull

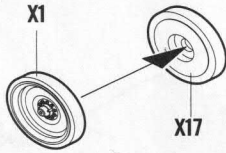


车面
Upper hull



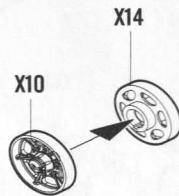
1
STEP

负重轮
Road wheel



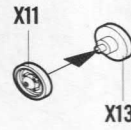
制作12组
Make twelve

诱导轮
Idler wheel



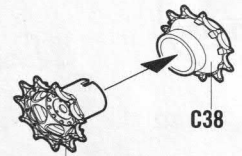
制作2组
Make two

托带轮
Support wheel

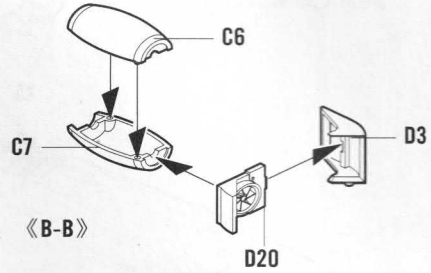
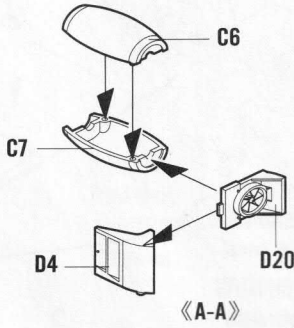


制作2组
Make two

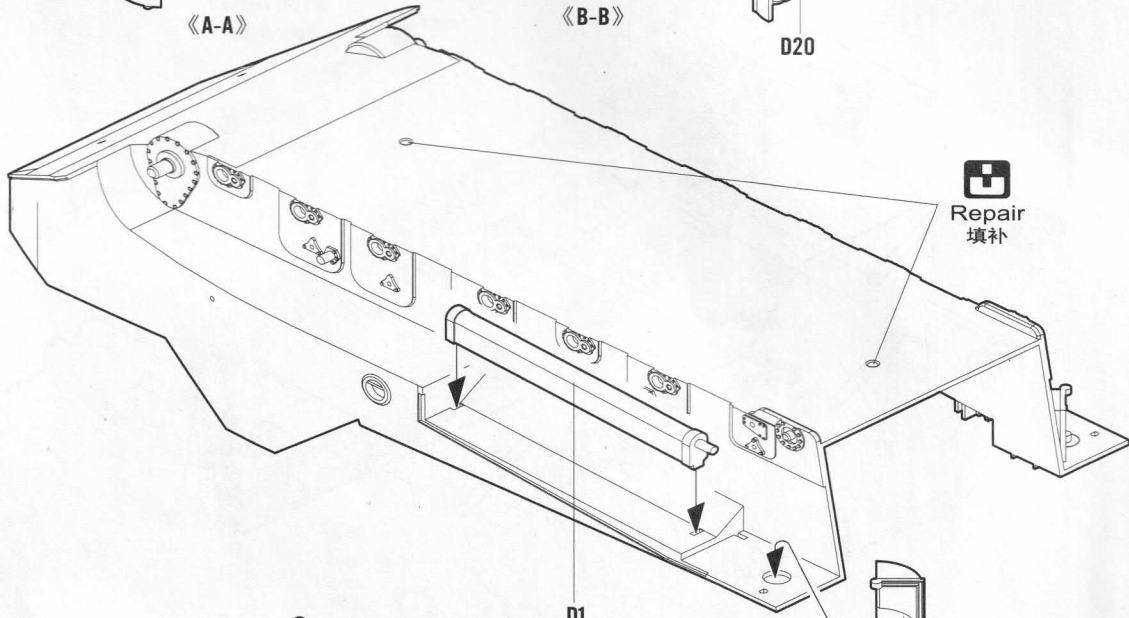
主动轮
Drive wheel



制作2组
Make two



2
STEP

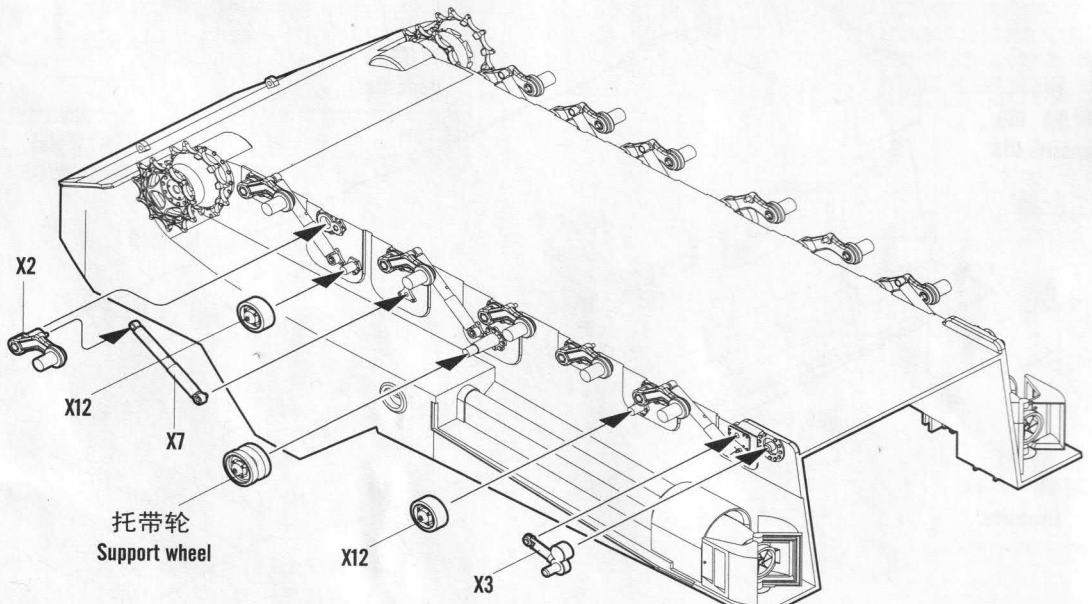
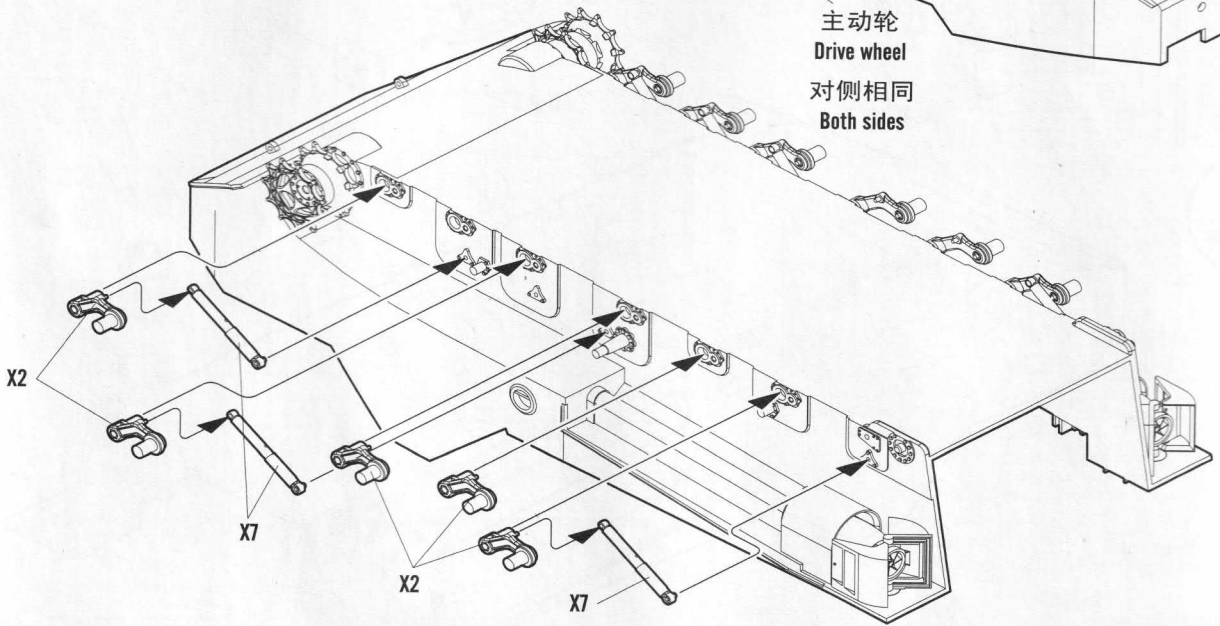
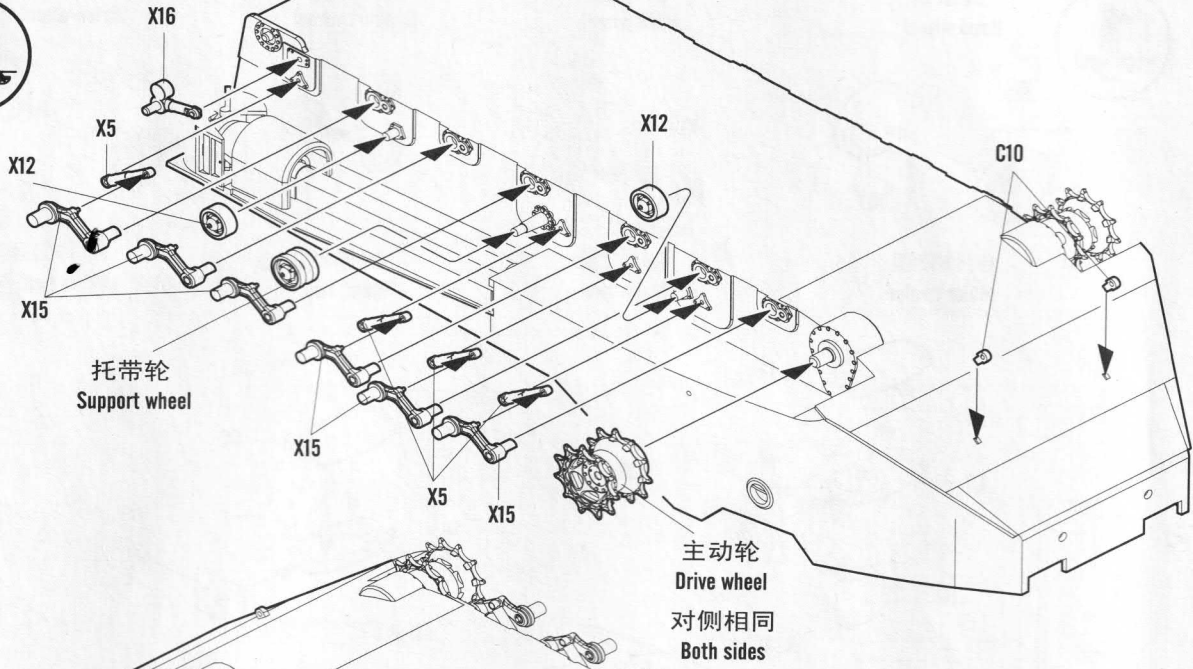


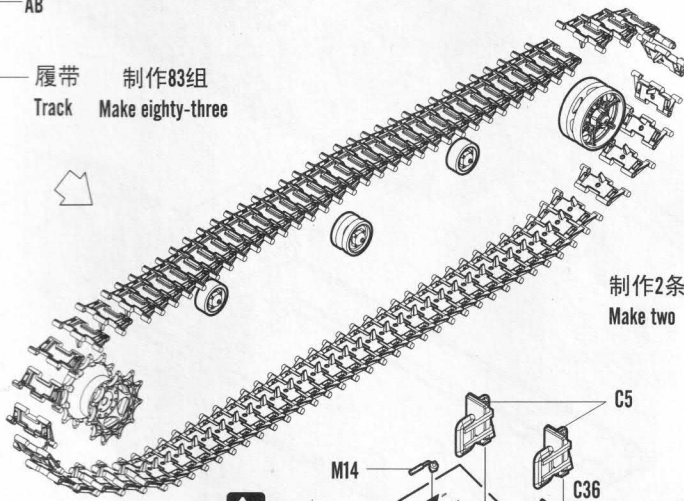
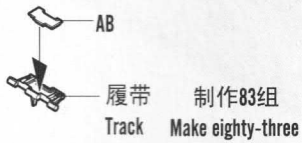
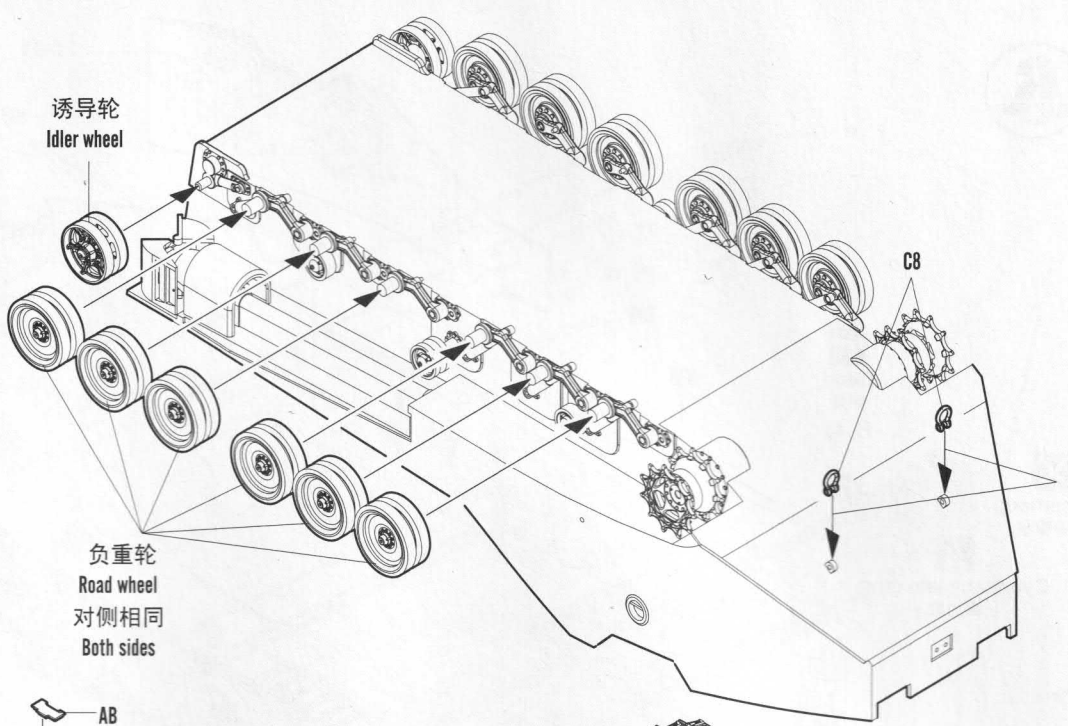
D19
对侧 D18
Opposite D18

D5
对侧D6
Opposite D6

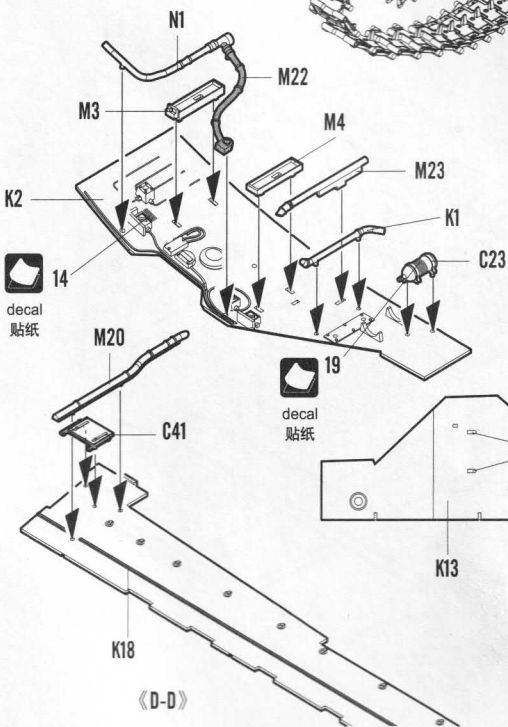
《B-B》
对侧《A-A》
Opposite

3
STEP

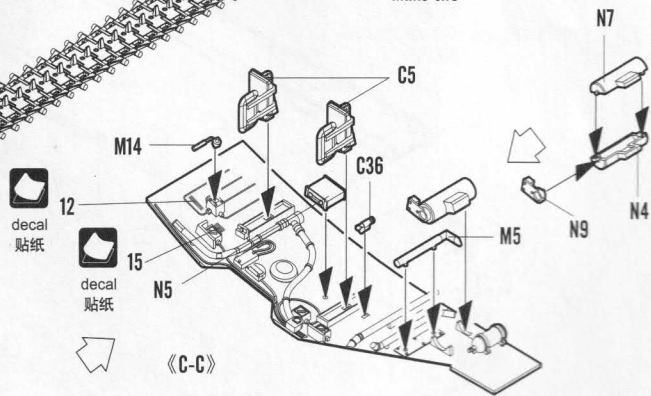




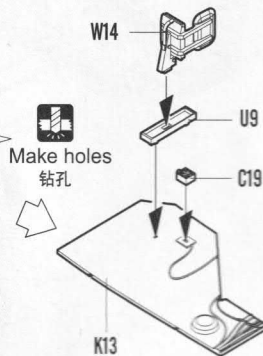
制作2条
Make two



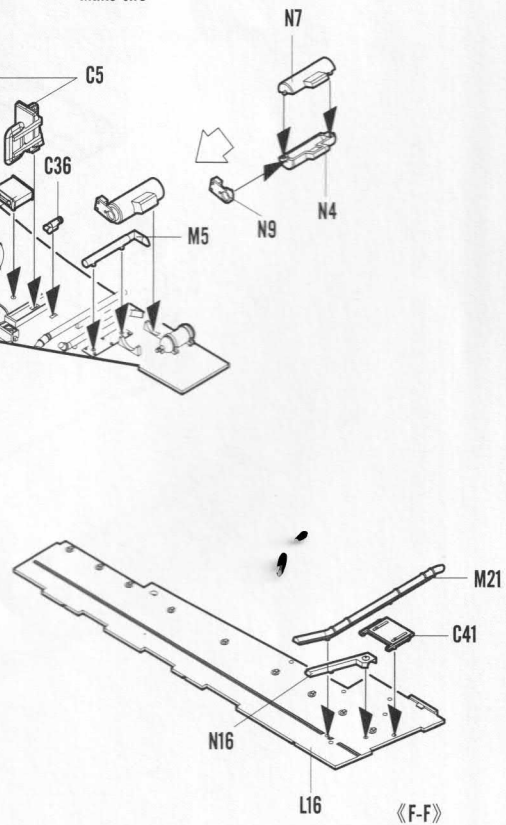
《D-D》



《C-C》



《E-E》



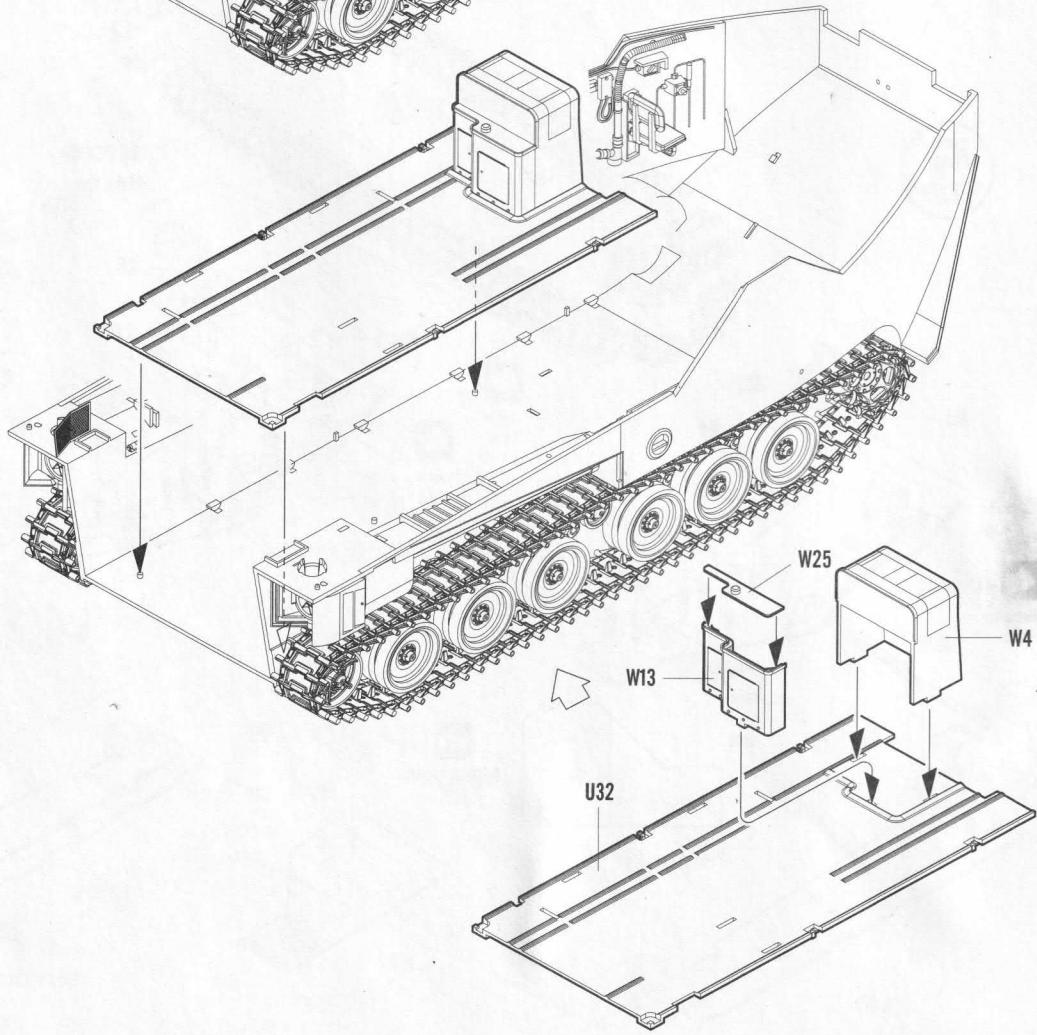
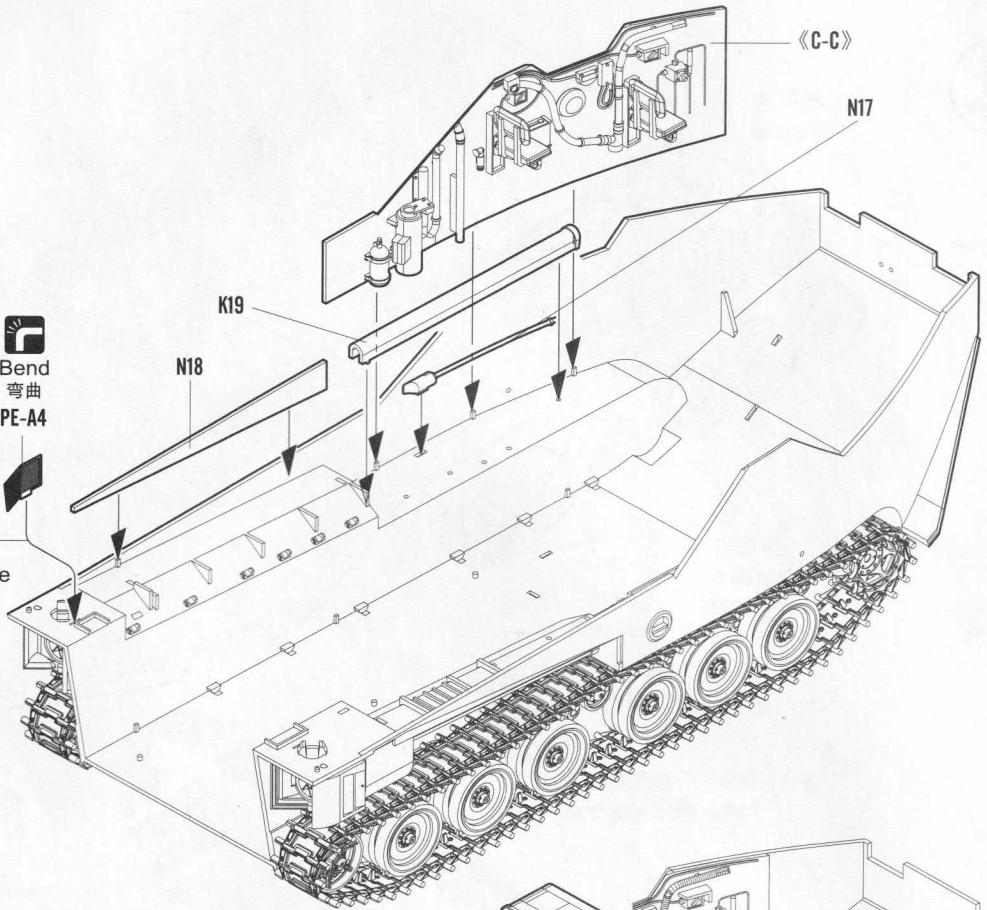
《F-F》



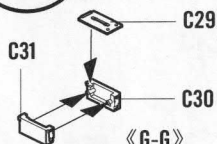

Bend
弯曲
PE-A4


No cement
不涂胶水


Cyanoacrylate glue
强力胶

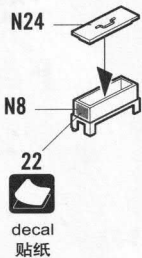
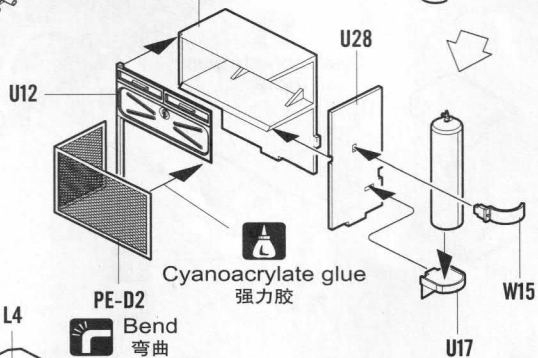
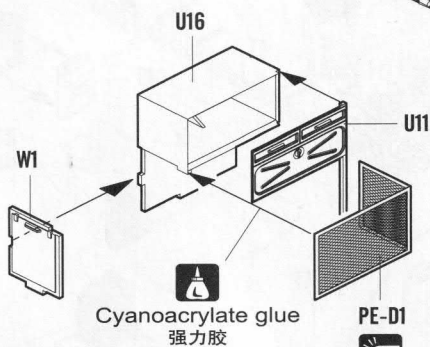
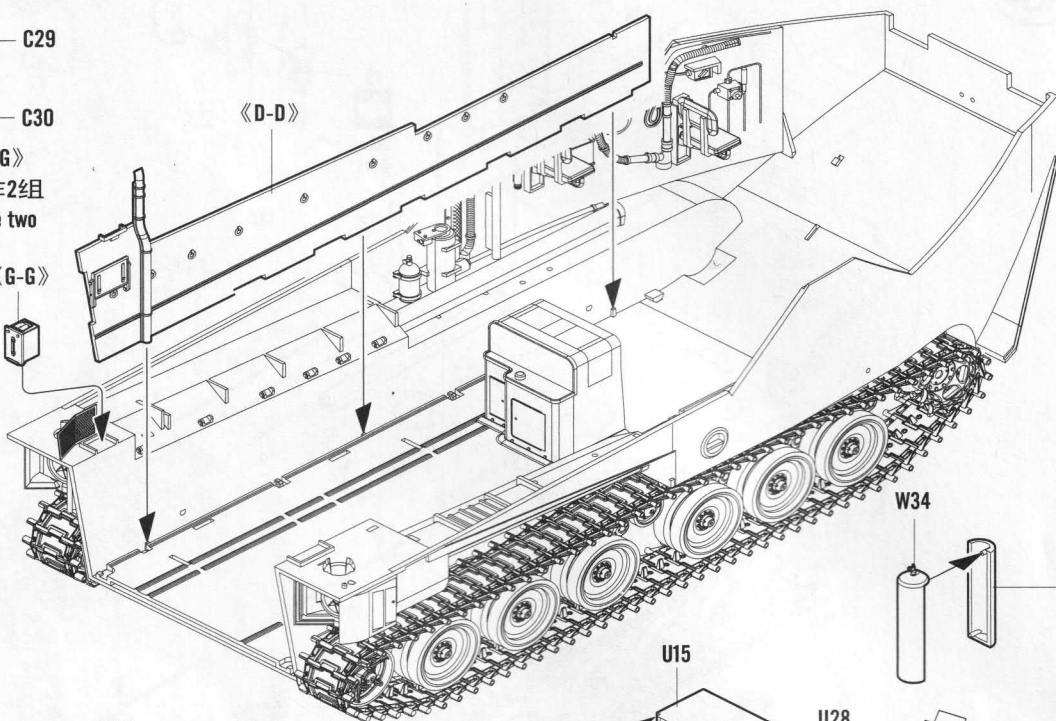


7
STEP



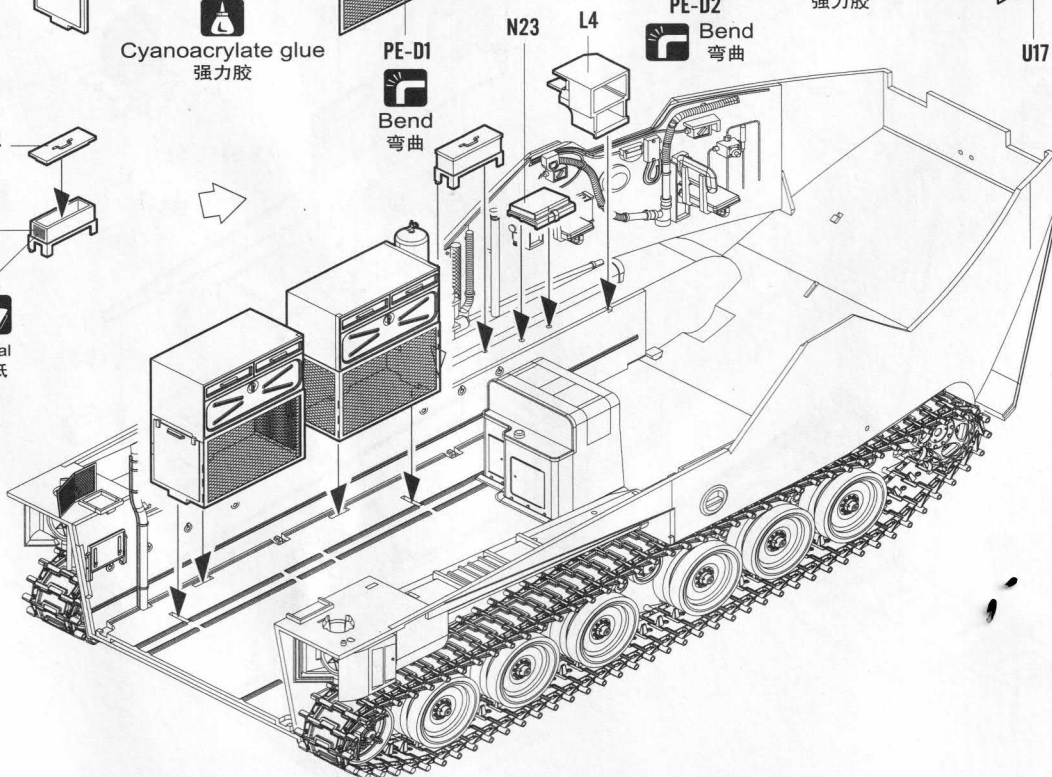
《G-G》
制作2组
Make two

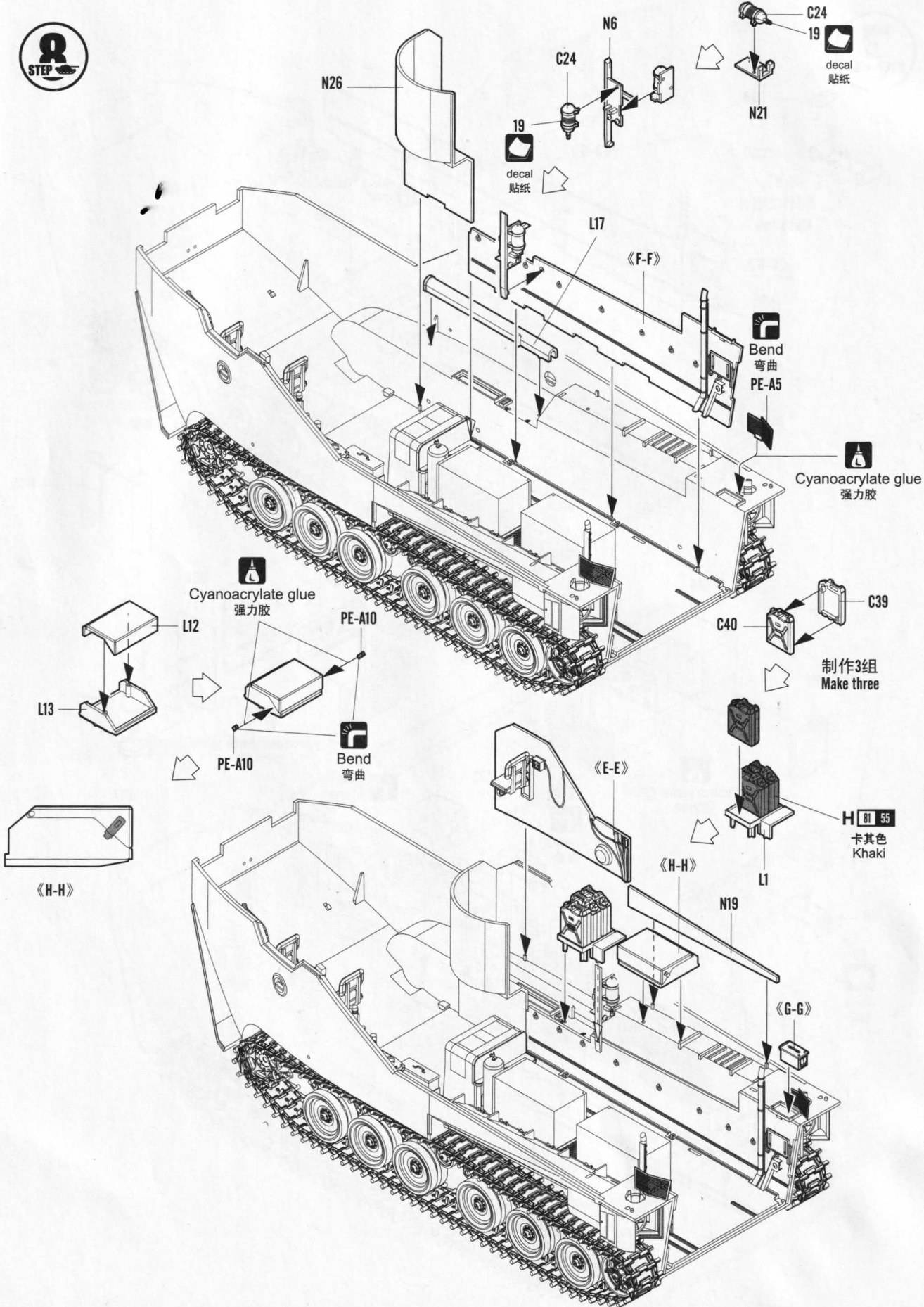
《G-G》



PE-D1
Bend
弯曲

PE-D2
Bend
弯曲





N26

N6

C24

C24

19

decal
贴纸

19

decal
贴纸

N21

L17

《F-F》



Bend

弯曲

PE-A5



Cyanoacrylate glue
强力胶



Cyanoacrylate glue
强力胶

PE-A10

L12

PE-A10



Bend

弯曲

C39

C40

制作3组
Make three

H 81 55

卡其色
Khaki

《E-E》

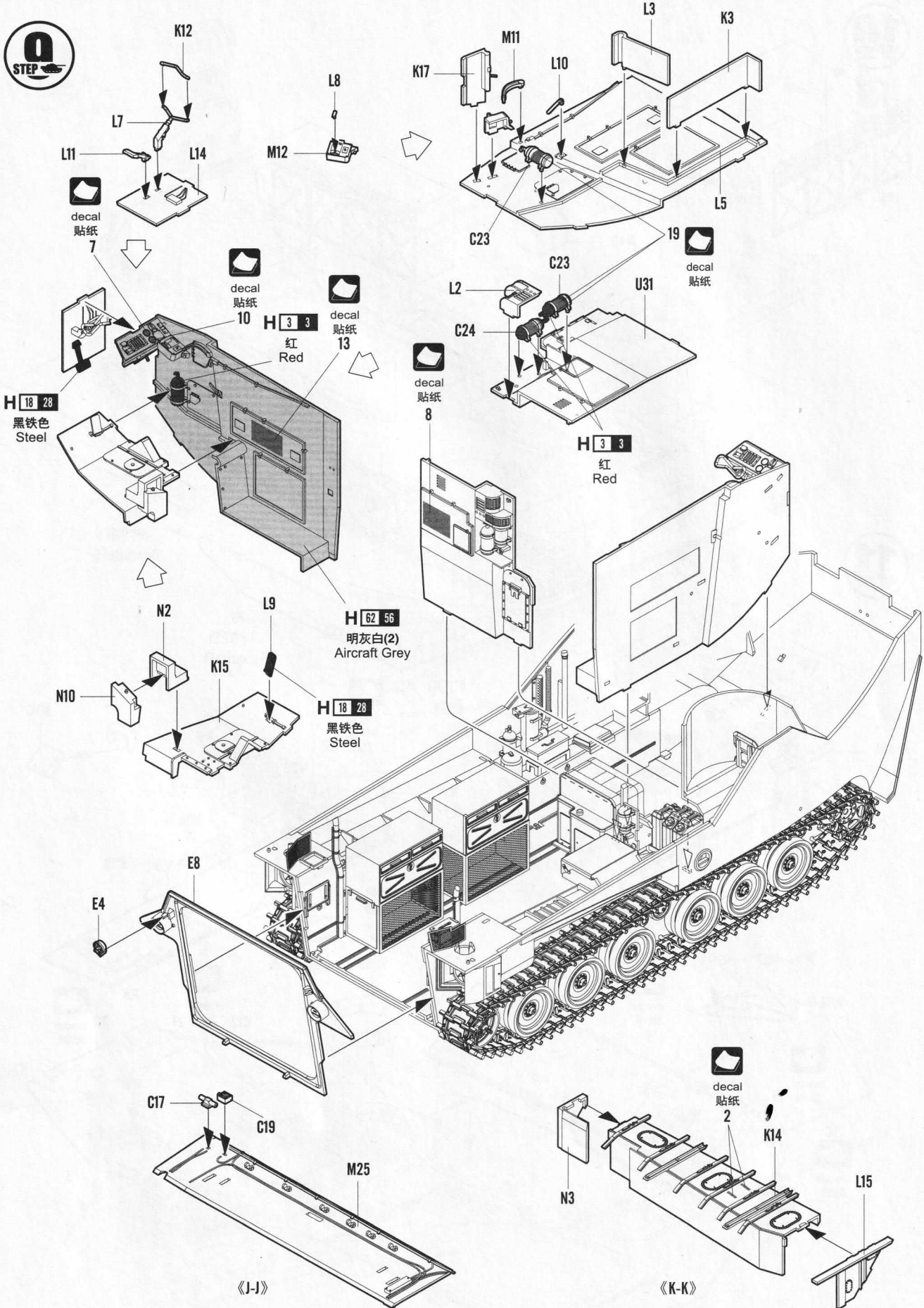
《H-H》

N19

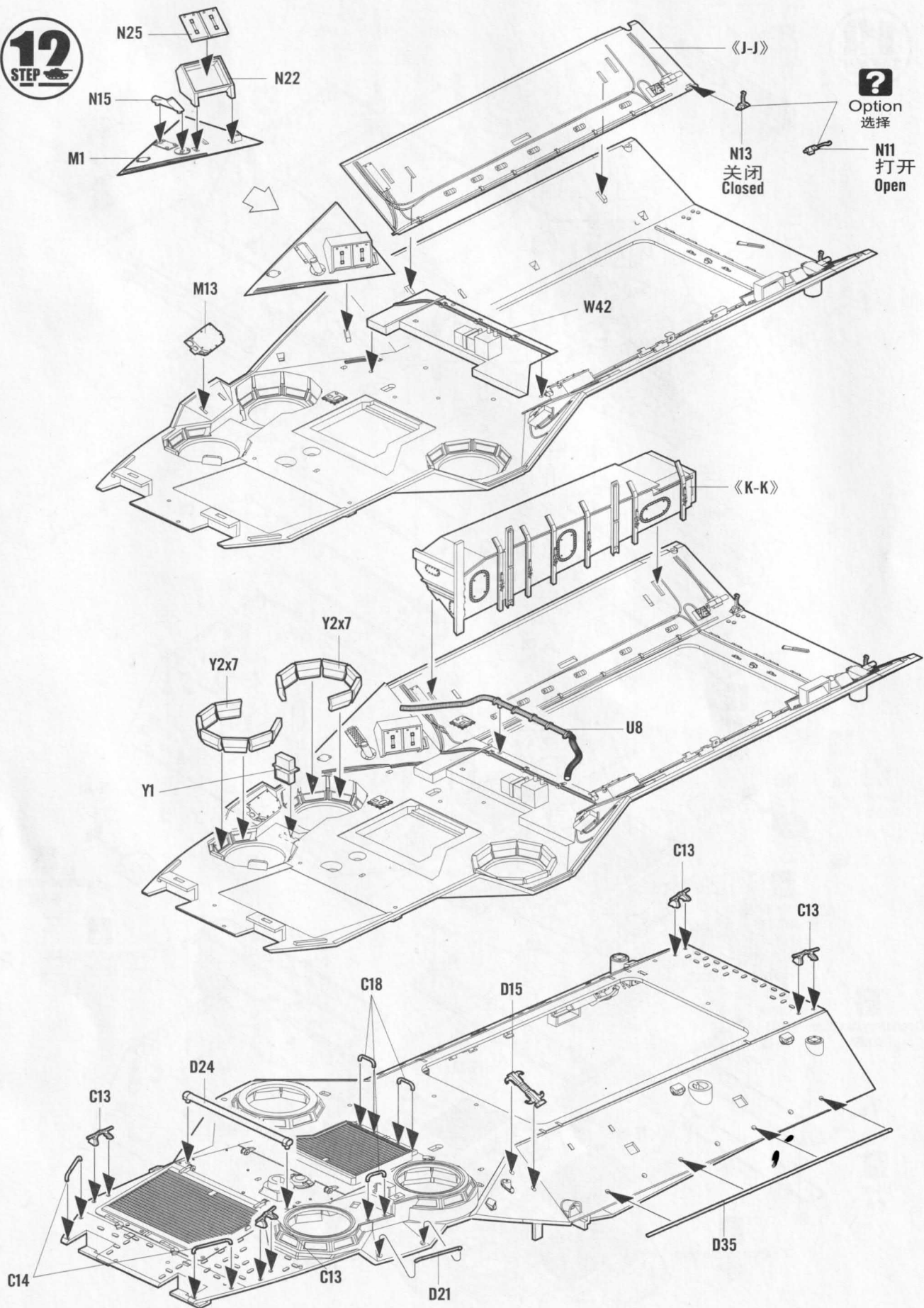
《G-G》

L13

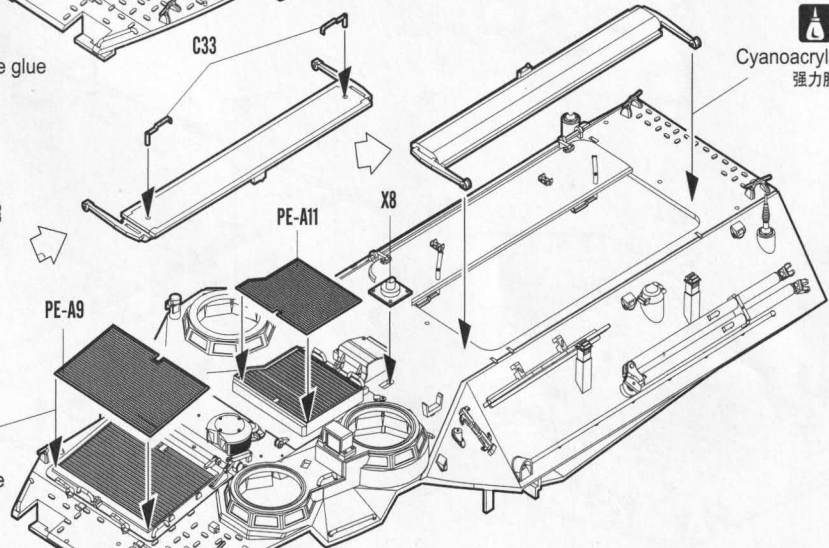
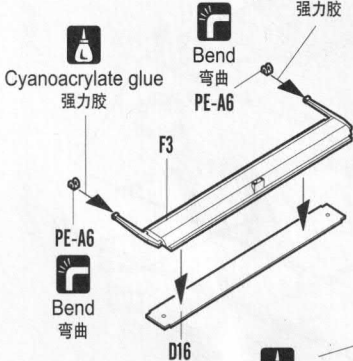
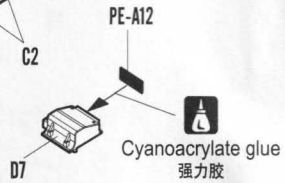
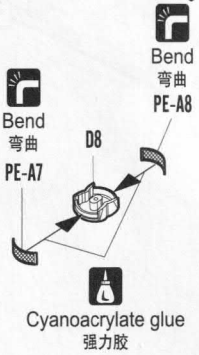
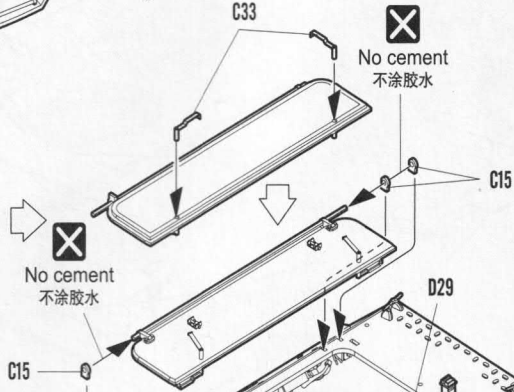
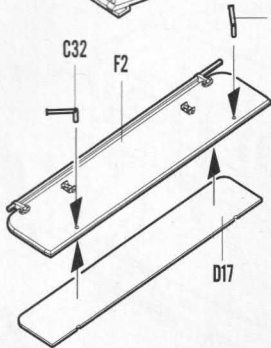
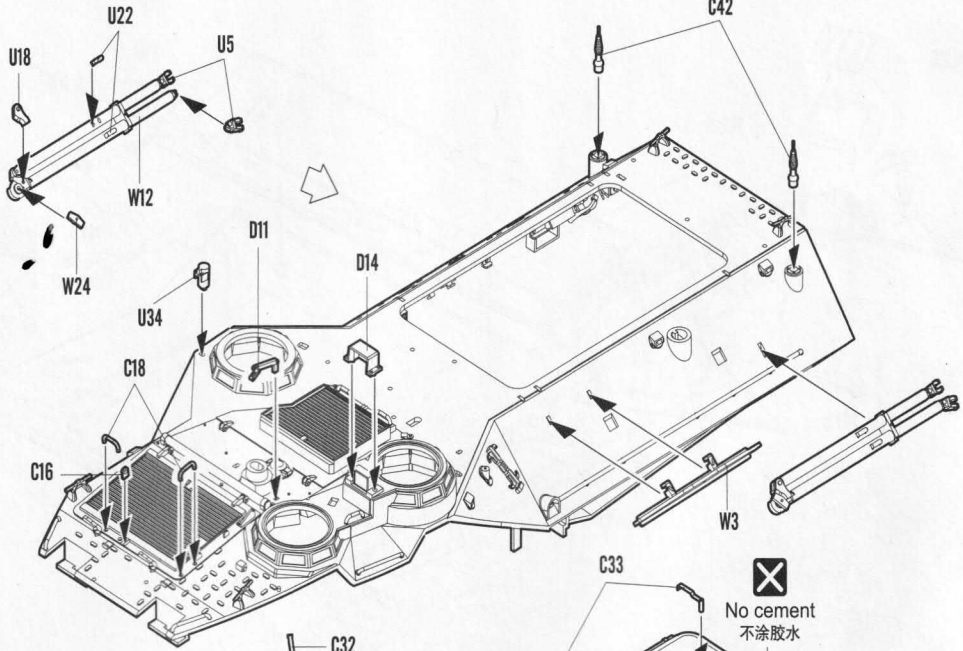
《H-H》



12
STEP



13
STEP



11
STEP

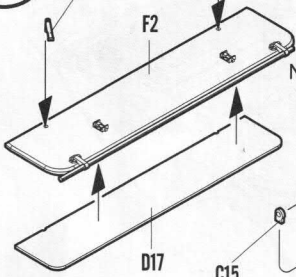
C32

X
No cement
不涂胶水

C15

X
No cement
不涂胶水

U3



C15

U24

U35

U26

U27

C33

W9

D34

W22

D36

D13

D12

D28

X
No cement
不涂胶水

D33

D31

D37

X
No cement
不涂胶水

D27

D28

C11

W2

U9

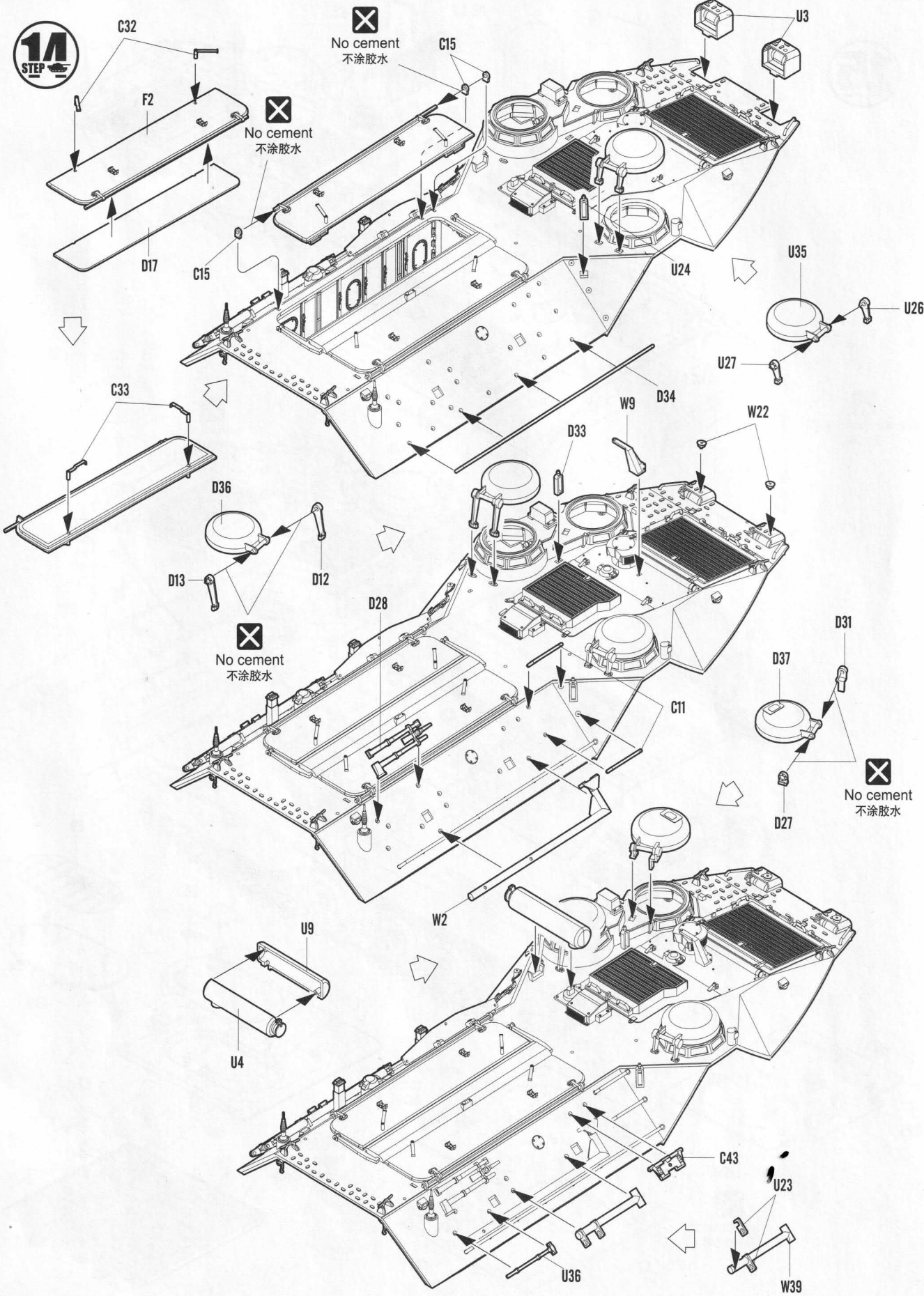
U4

C43

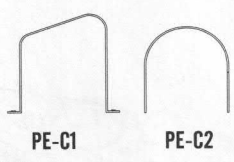
U23

U36

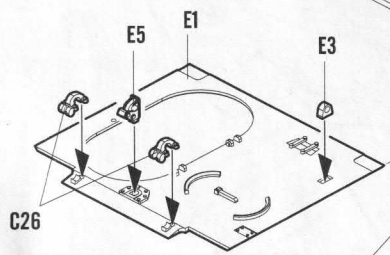
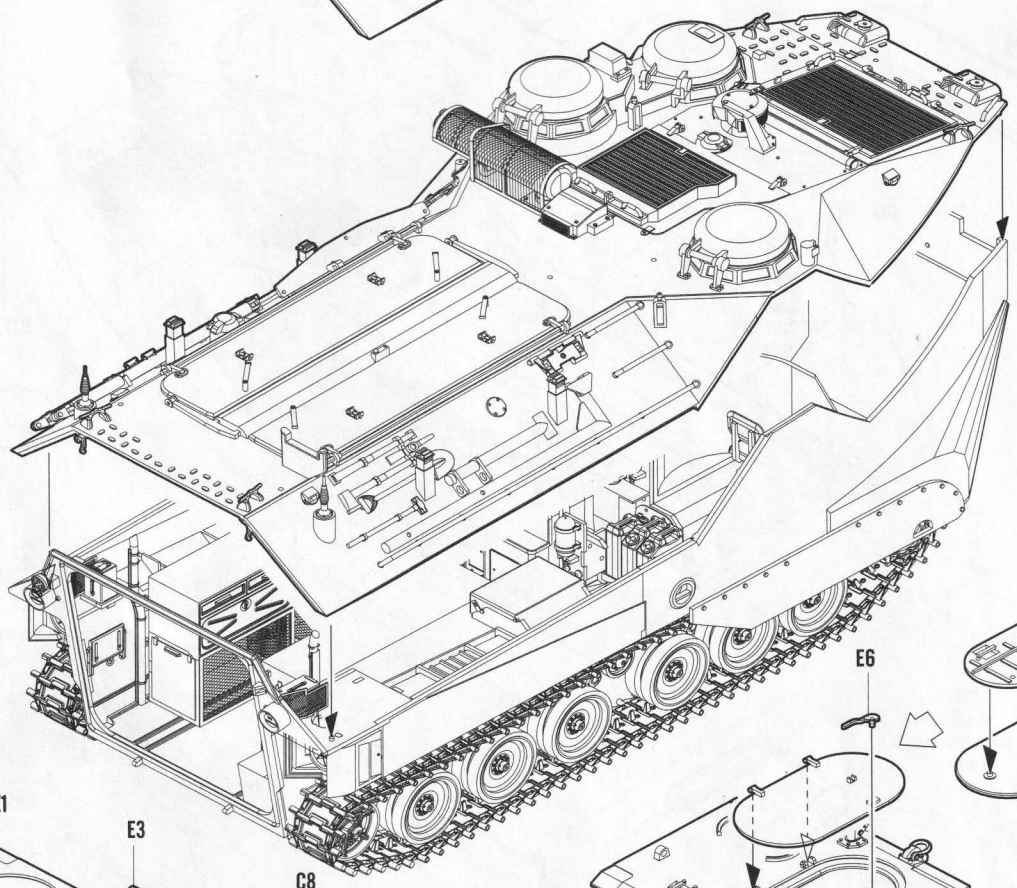
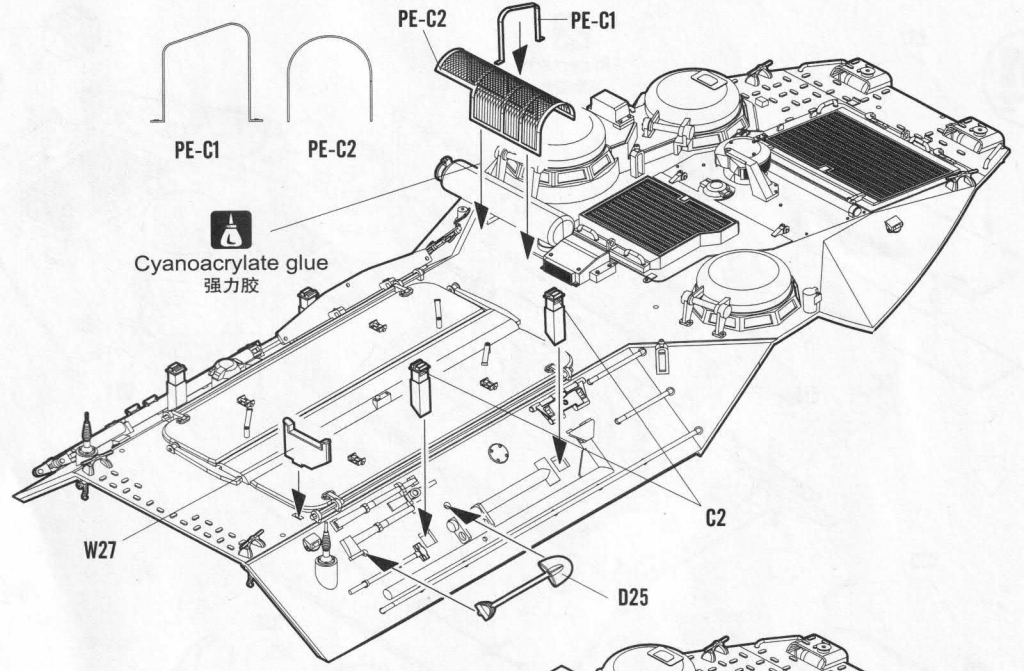
W39



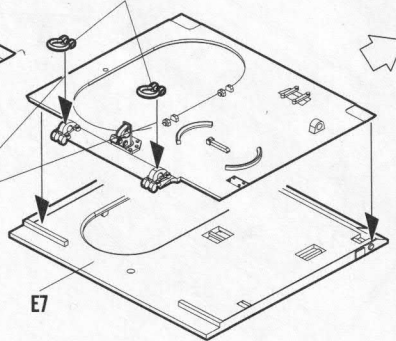
15
STEP



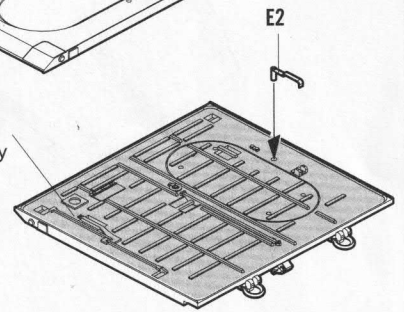

Cyanoacrylate glue
强力胶

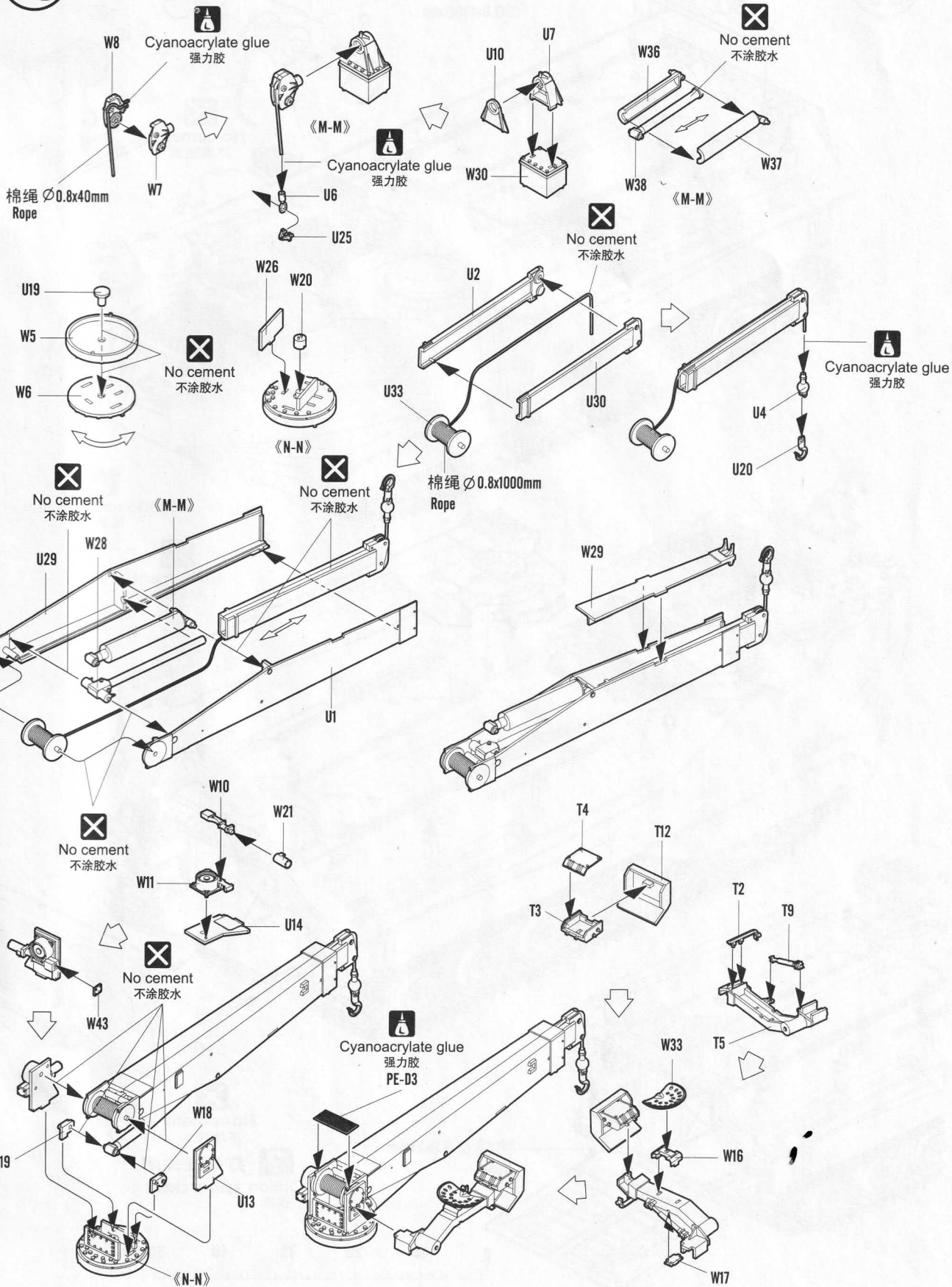



No cement
不涂胶水



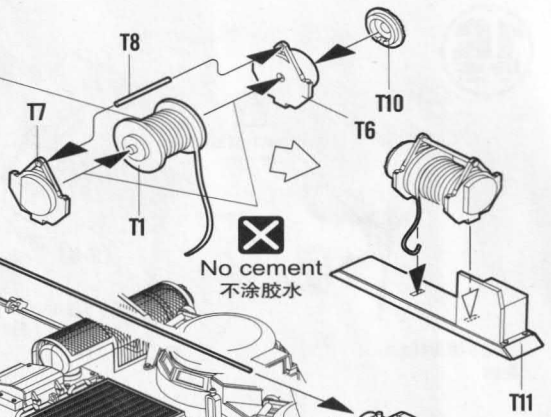
H 62 56
明灰白(2)
Aircraft Grey





17
STEP

棉绳
Rope
Ø0.8x1300mm



No cement
不涂胶水

Cyanoacrylate glue
强力胶

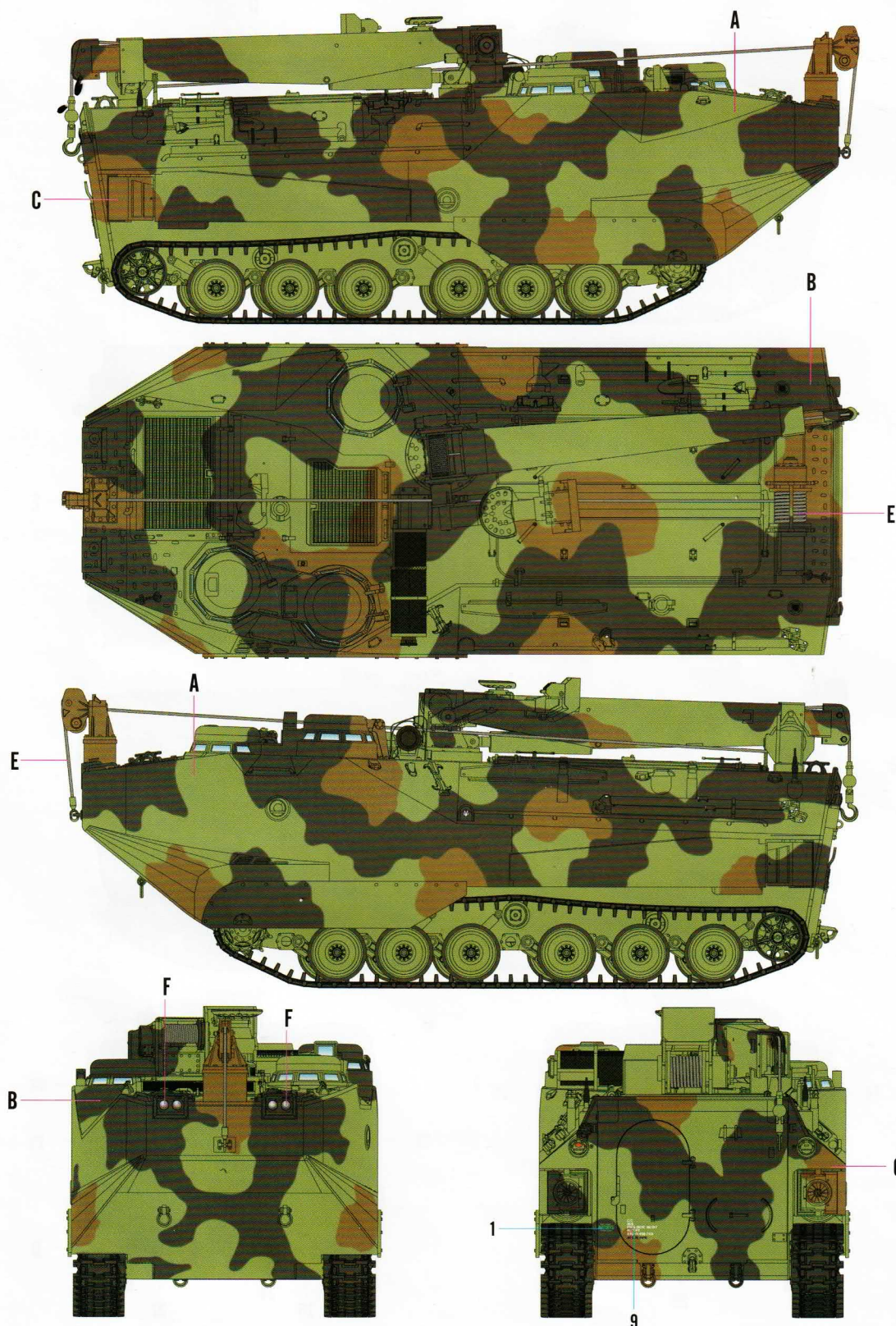
No cement
不涂胶水

棉绳 Ø0.8x27mm
Rope

No cement
不涂胶水
? 打开或关闭
Option open or closed
选择

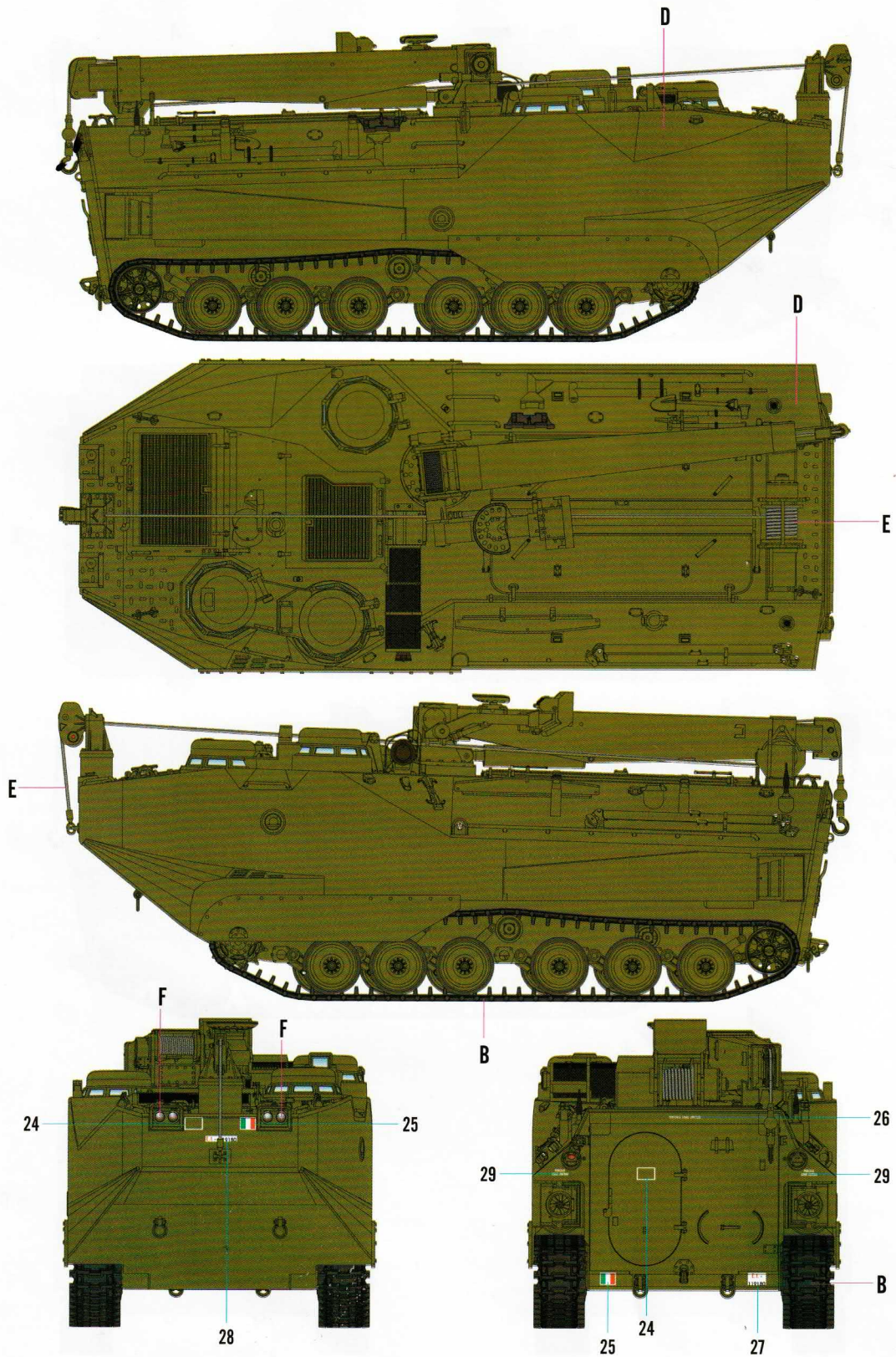
0 10 20 30 40 50 mm

I



	Color	Mr.Hobby	Vallejo	Model Master	Tamiya	Humbrol
A	绿色 Green	H 312 312	--	1716	--	120
B	消光黑 Flat Black	H 12 33	950	1749	XF1	33
C	木棕色 Wood Brown	H 37 43	983	1701	--	186

II



Color	Mr.Hobby	Vallejo	Model Master	Tamiya	Humbrol
D 橄榄绿色 Light Green	H 303 303	--	1713	XF20	117
E 黑铁色 Steel	H 18 28	864	1402	--	--
F 银色 Silver	H 8 8	997	1546	X11	11