

LA BELLE POULE, 1932

SCALE: 1/50,
Length: 755 mm,
Width: 255mm,
Height: 655mm

HISTORY:

The Belle Poule is school schooner of French navy. The Belle Poule together with her sister ship Etoile was launched at shipyard Féchamp at Normandy on 8 February 1932. The Belle Poule is 37,5m long and has displacement 225tons. The ship is able to sail up to 12.5 knots with using of sails and up to 9 knots if she is powered by diesel engine.

Recommended tool list:

- 1) Modeler's knife or scalpel
- 2) Mini drilling machine
- 3) Drill bits
- 4) Selection of abrasive paper
- 5) Scissors
- 6) Pliers
- 7) Clothes pegs or crocodile clips
- 8) Pencil
- 9) Rule
- 10) Set of needle files
- 12) Sewing machine
- 13) Electric plank bender
- 14) Mini lathe

Before you begin:

Before you begin to build the model it is necessary with a vengeance read building instructions and plans. Also chronology of assembly steps is necessary to keep. You check if the parts go together before you glue it respectively you make any corrections with sandpaper. During the gluing, painting, lacquering and at work with another chemical materials is necessary well ventilated in your working room. You cut the parts from sheet until actually required for fitting. You cut by knife only in direction off ward your body so that you head to injury risk. For gluing of wooden parts it is possible to use white glue and for metal and resin parts cyanoacrylate glue

Colouring:

Hull draught-green
Hull freeboard-white
Deck-natural wood
Walls of cabins-red-brown stained wood
Roofs of cabins -white
Decoration-yellow

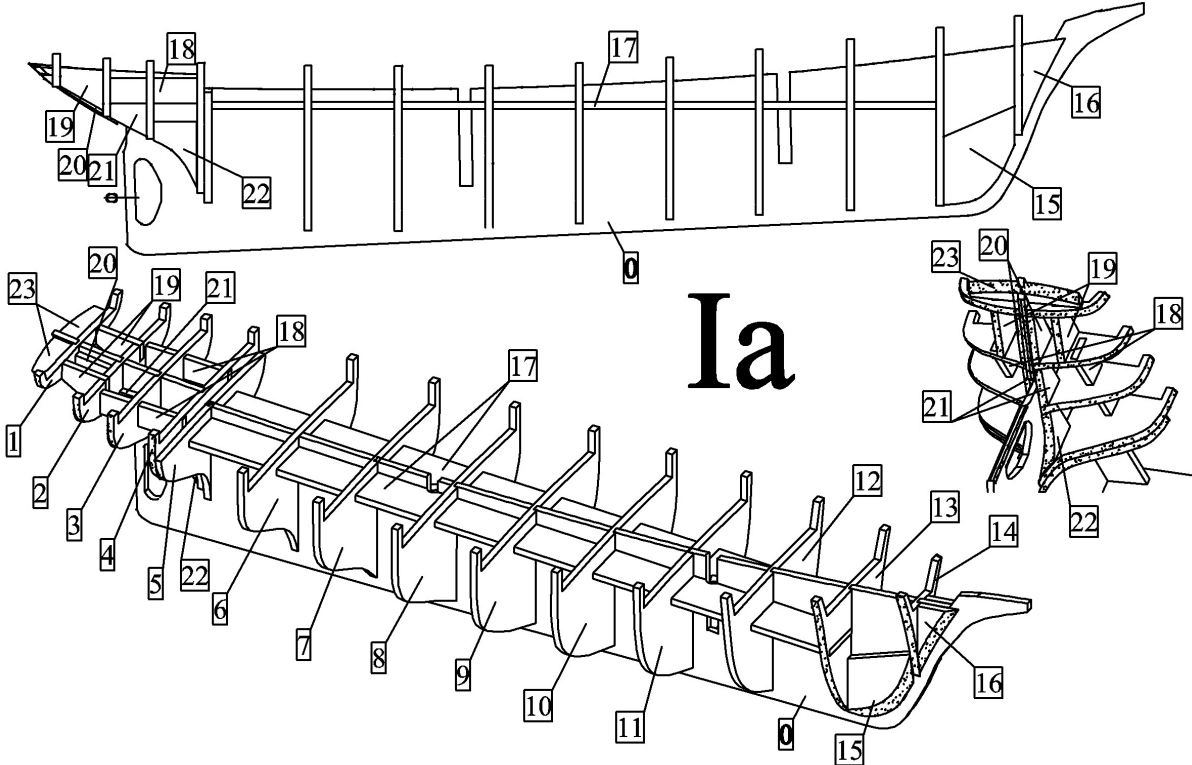
Bending of wooden strips:

The Wooden strips will be more flexible if you will boil it in hot water about 10-15 minutes.

You can bend the strips along any cylindrical area but ideal is using of special plank bender (it would be best to use electric plank bender). If you need to do very small radius so you must bend it in more steps.

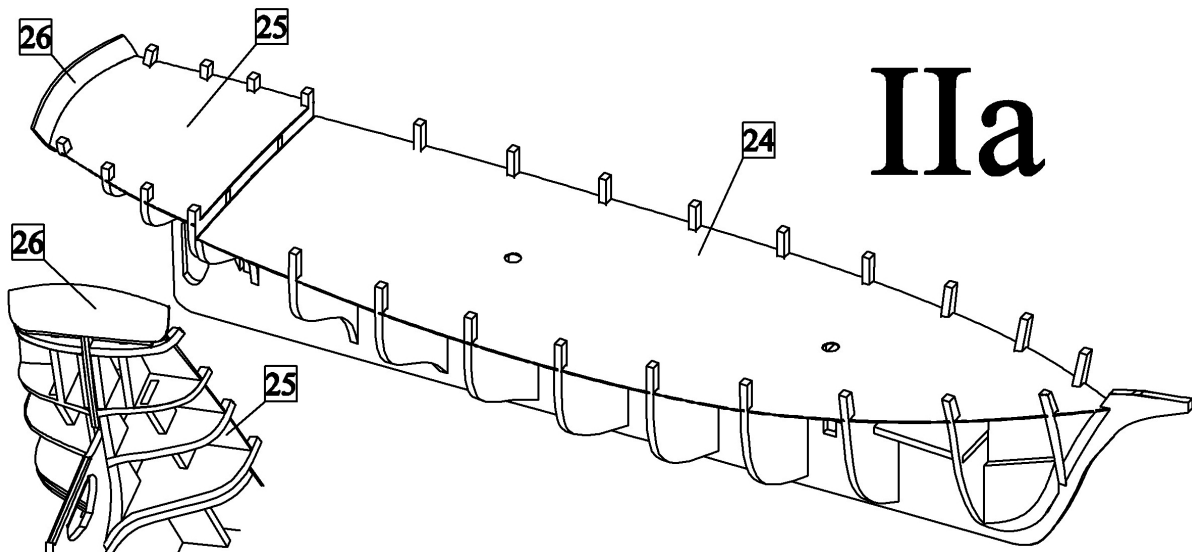
Model building process:
I) Hull framing

a) First insert reinforcements 17 and 18 into frames 1-14. Then insert the frames into the keel 0. Frames 1-5, 13 and 14 is need to grind by sand paper into needed shape as it is shown in the figure. Then glue reinforcements 15, 16 and 19-23 to the framing. All reinforcements is again need to grind by sand paper into needed shape.



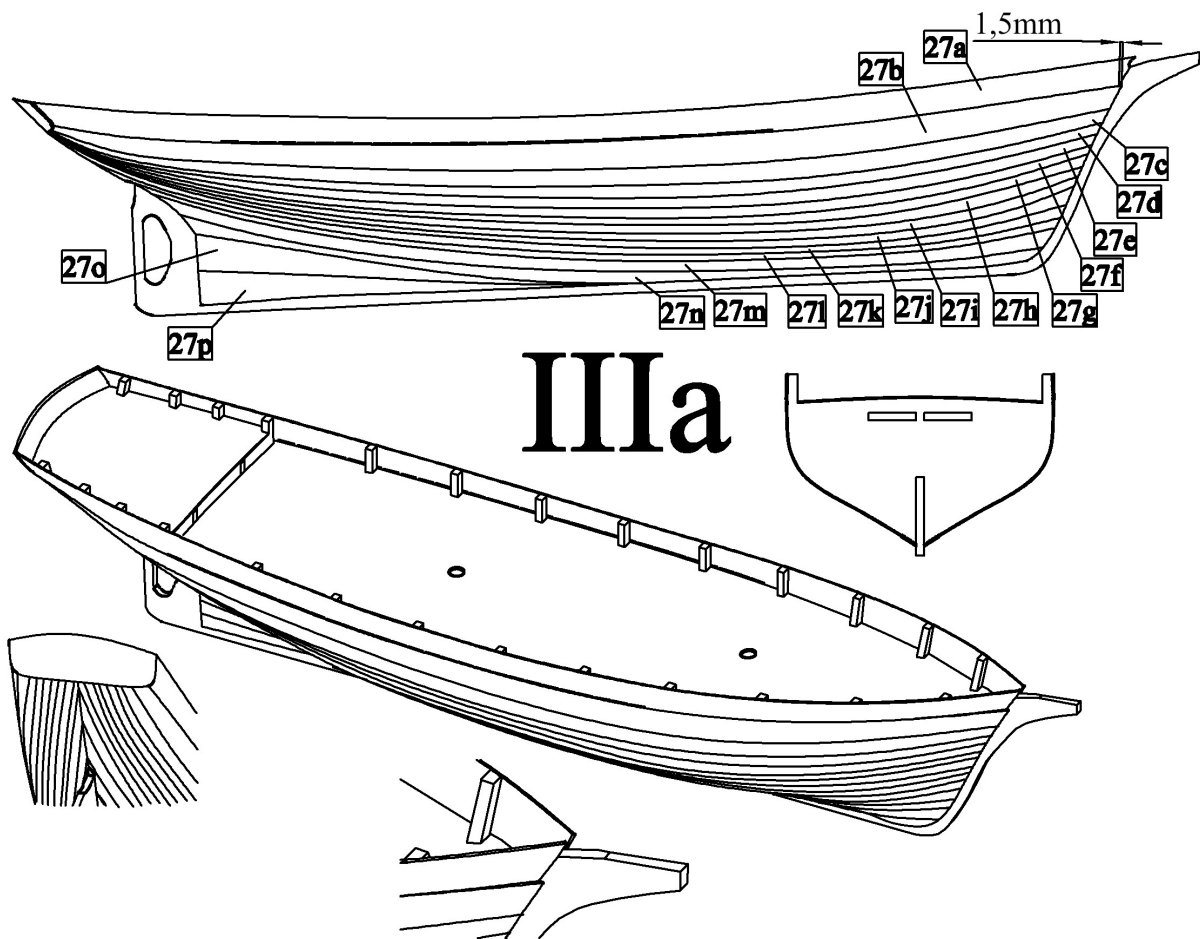
II) Deck I

a) First glue decks 24 and 25 to frames and then also part 26 to stern.

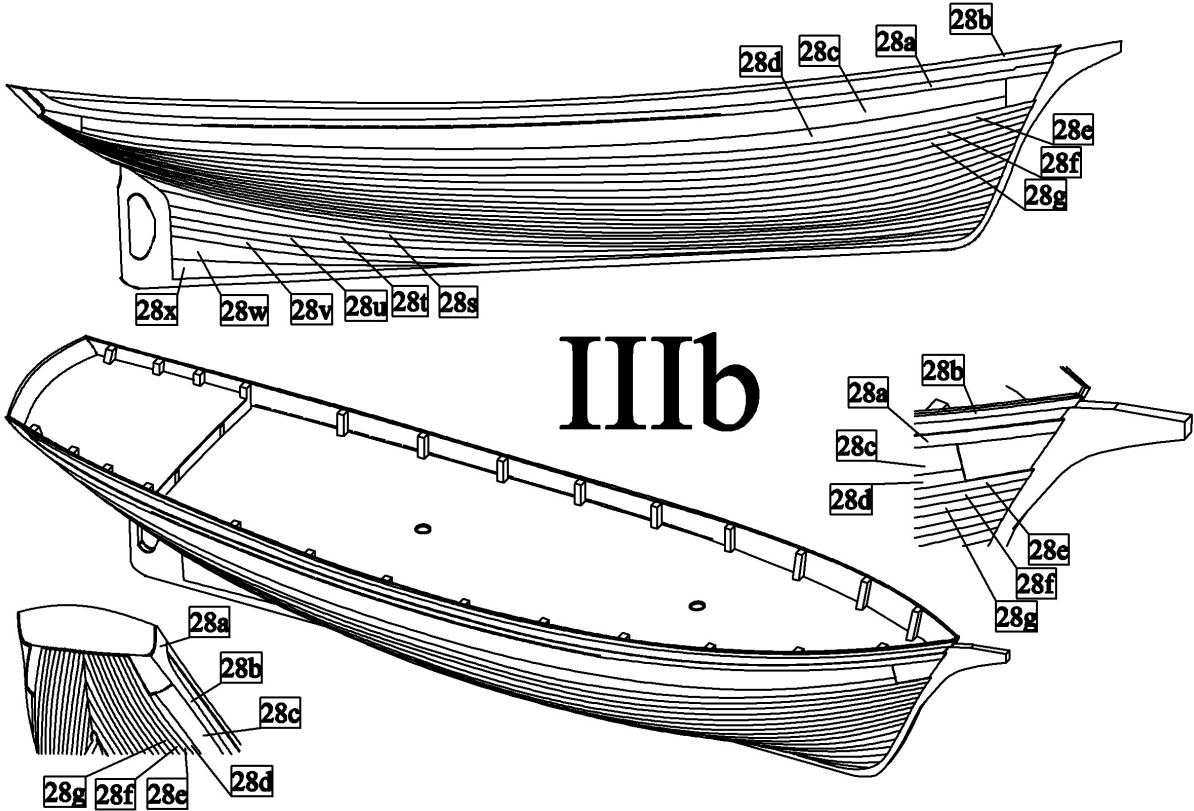


III) Hull I

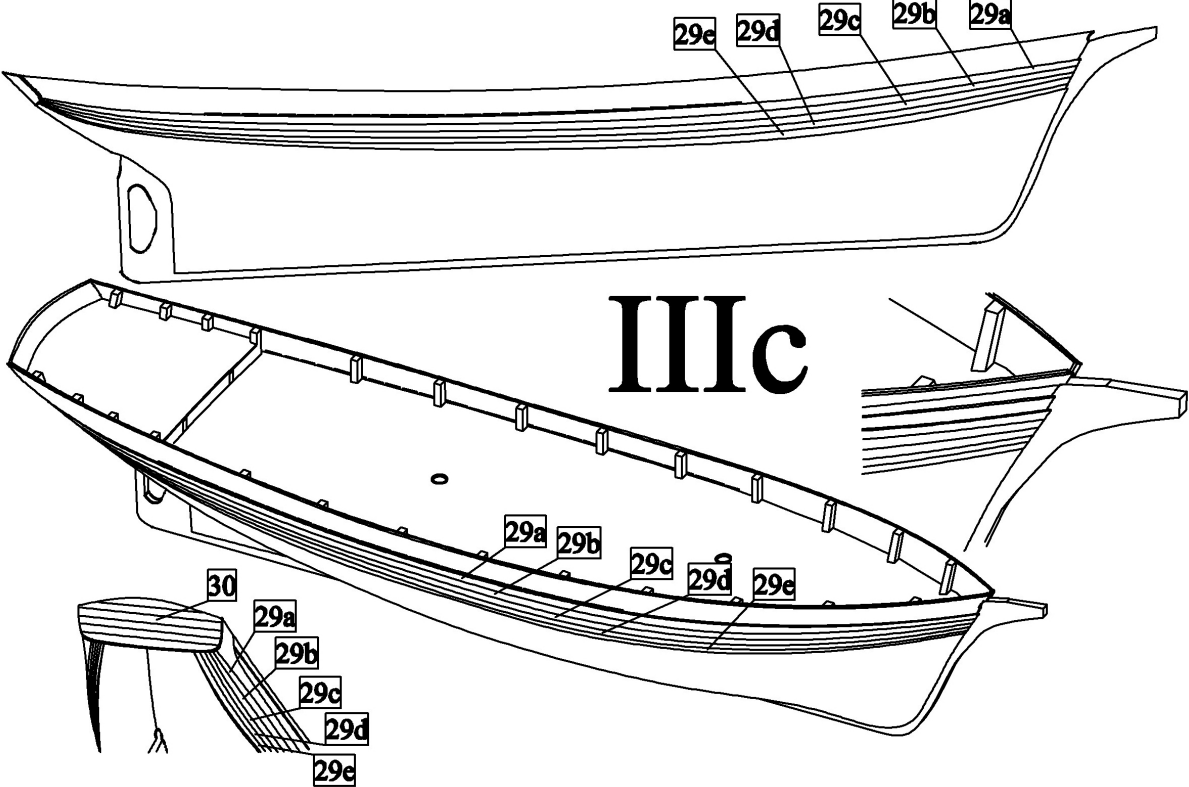
a) First plank the hull by planks 27. Start it with planks 27a and then step by step glue planks 27b-27p. First planks 27a are moved 1,5mm from the second plank 27b as it is shown in the figure.



b) Glue second planking to the hull. Start the planking by planks 28a and 28b. Then glue step by step also other planks 28c-28x. Attention: planks 28c and 28d are shorter than neighbour planks.



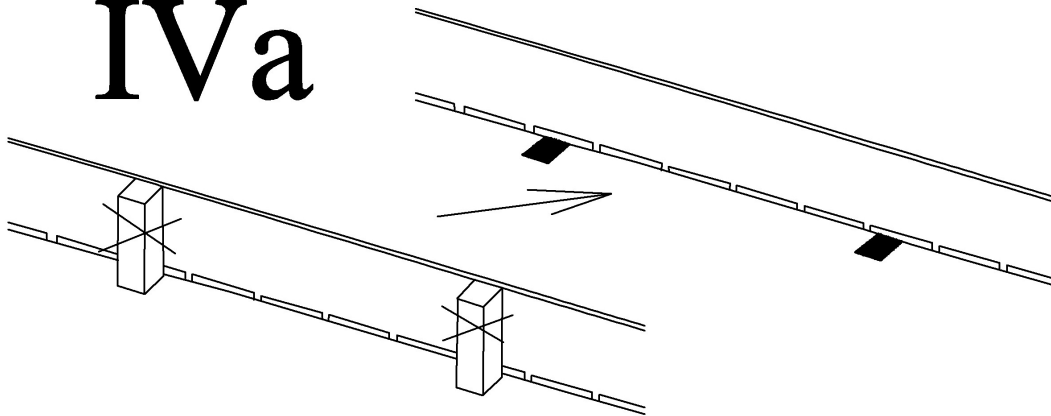
c) Glue third planking 29a-29e to the hull. Then plank the stern by planks 30.



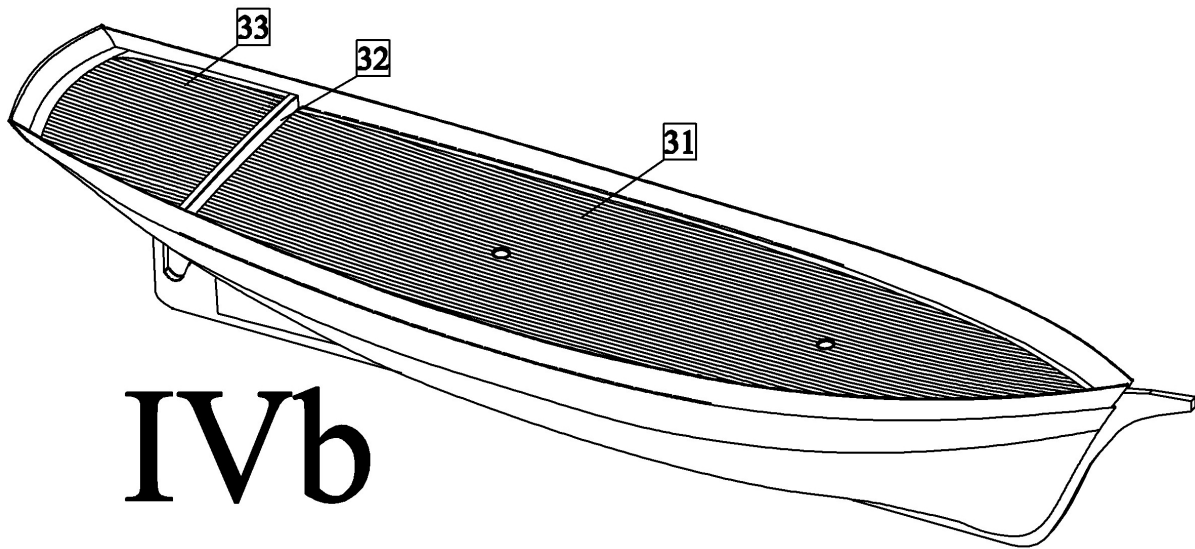
IV) Deck II

a) First cut off parts of frames which exceed deck.

IVa



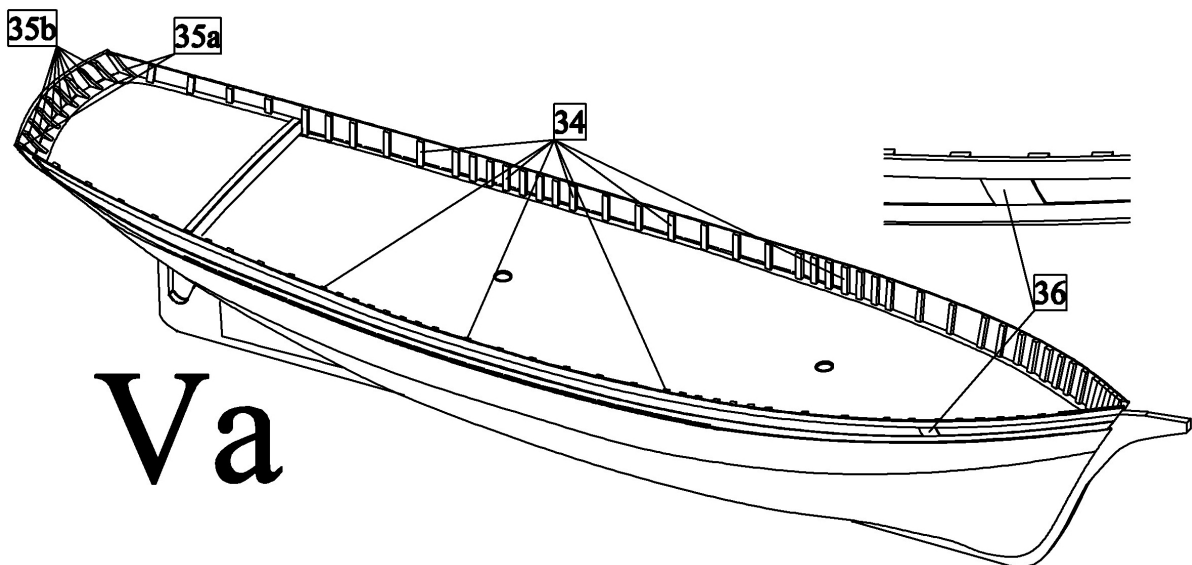
b) Glue decks 31-33 into their places.



IVb

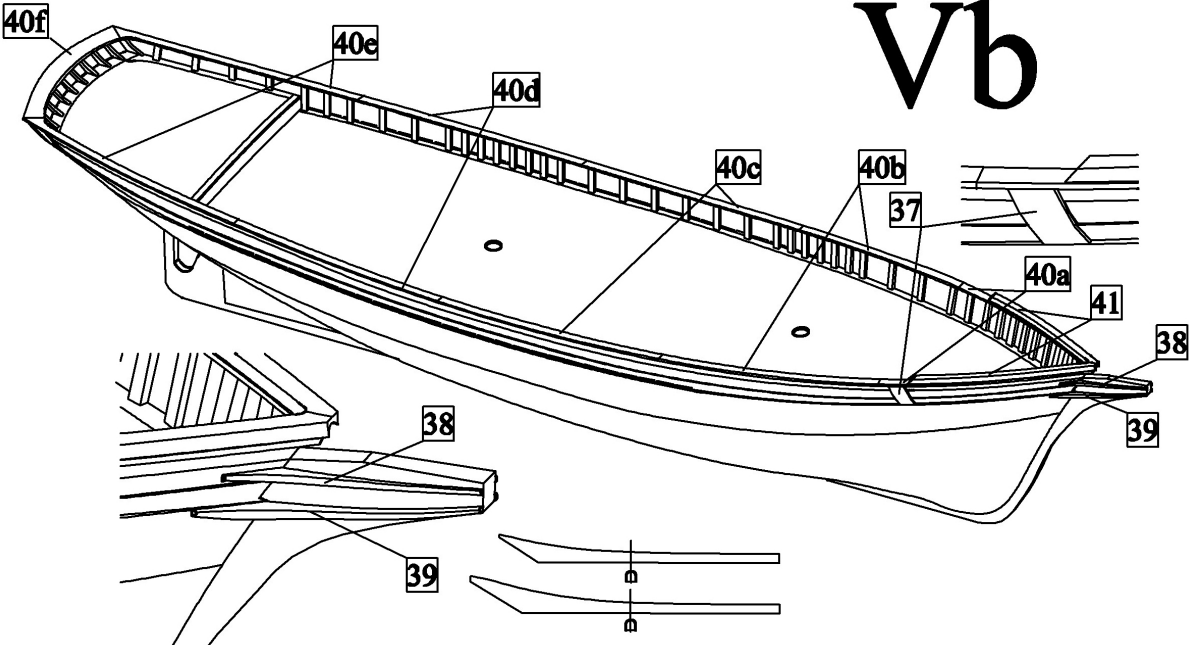
V) Hull II

a) First glue frames 34, 35a, 35b and 36 to the hull.



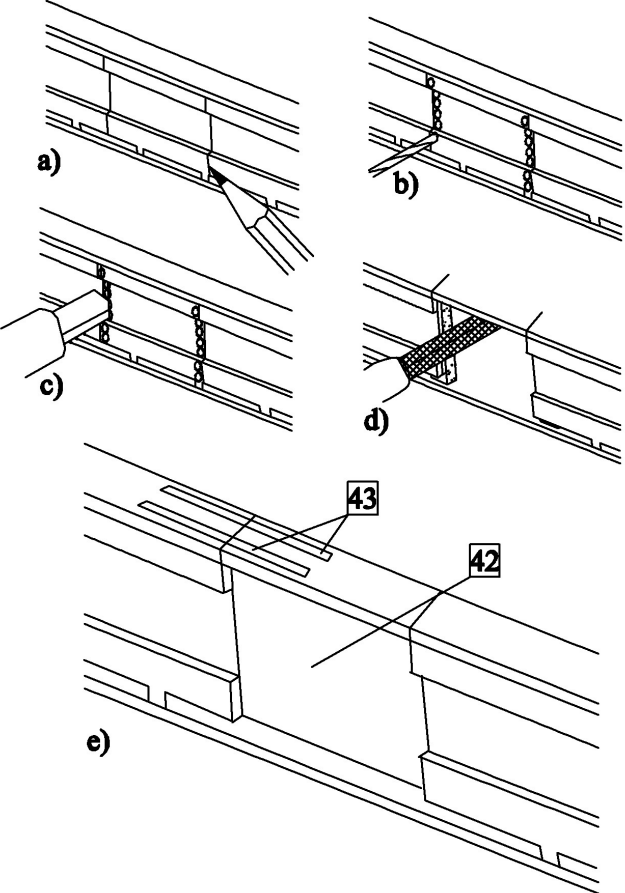
Va

b) First glue parts 37-39 to the hull. Parts 38 and 39 grind by sand paper into rounded shape. Then glue plank sheers 40a-40f to the hull. Finally glue reinforcements 41 to the bow.

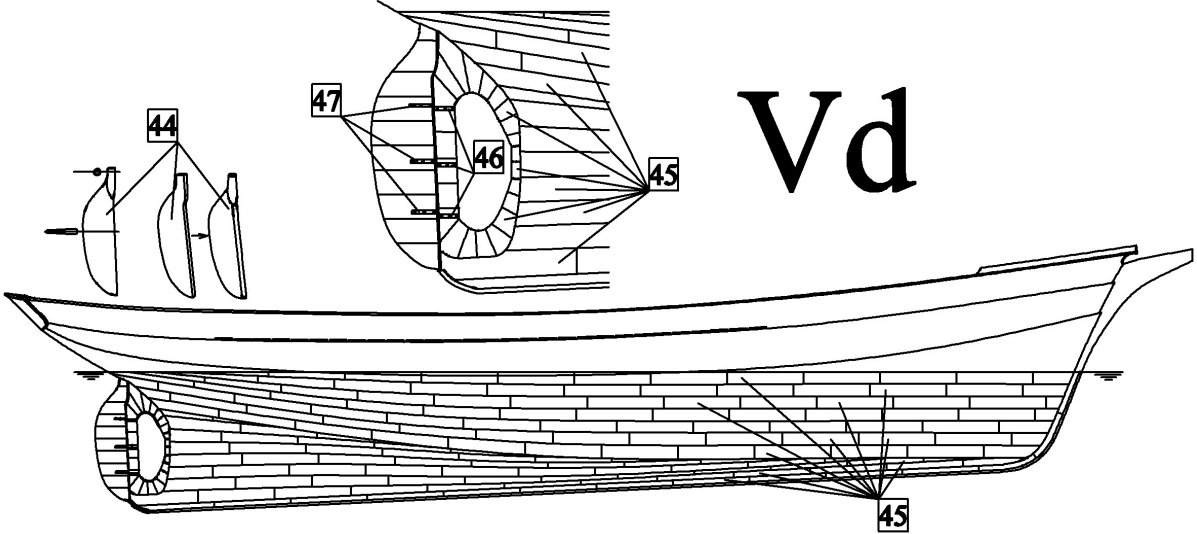


c) Make side doors. First draw outlines of doors by pencil. Then drill holes along the outlines. Then cut off the hole as it is shown in the figure. Then grind it by needle file. Finally glue doors 42 and hinges 43 into their positions.

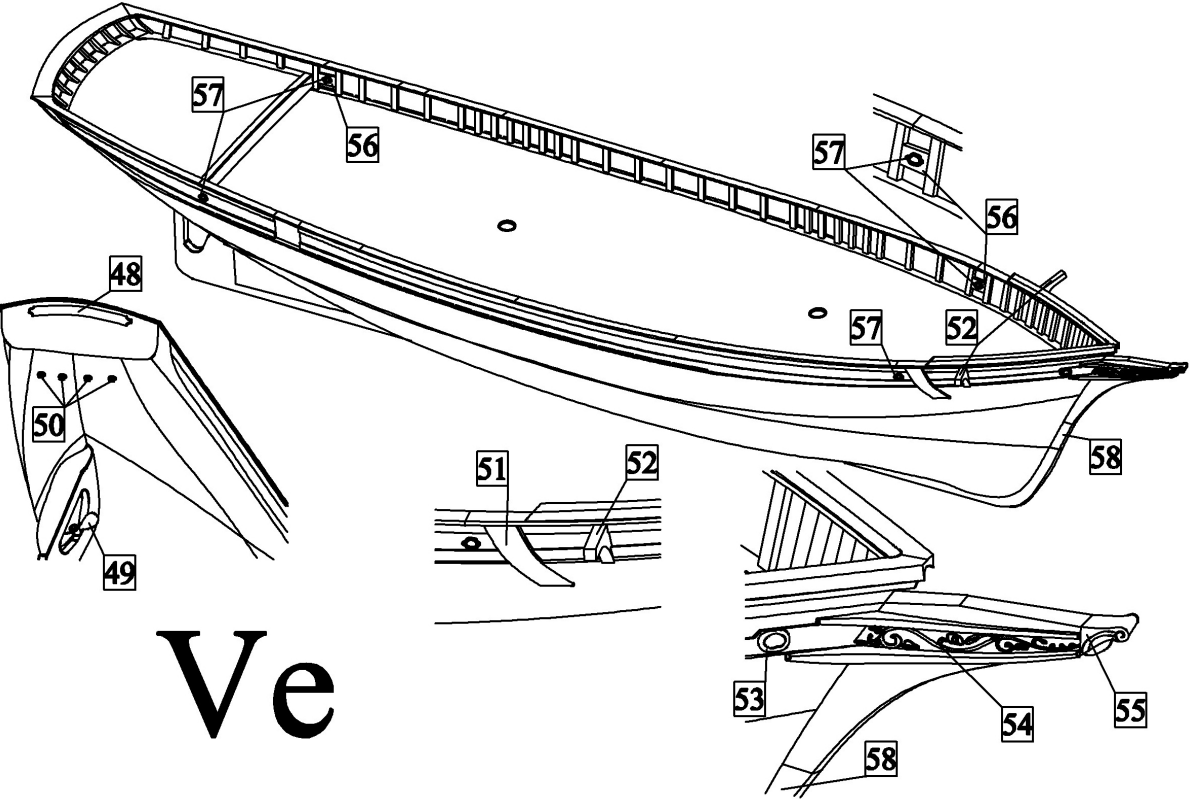
Vc



d) First grind rudder into needed shape. Then glue copper plates on the hull and rudder. Finally glue rudder together with hinges 46 and 47 to the hull.

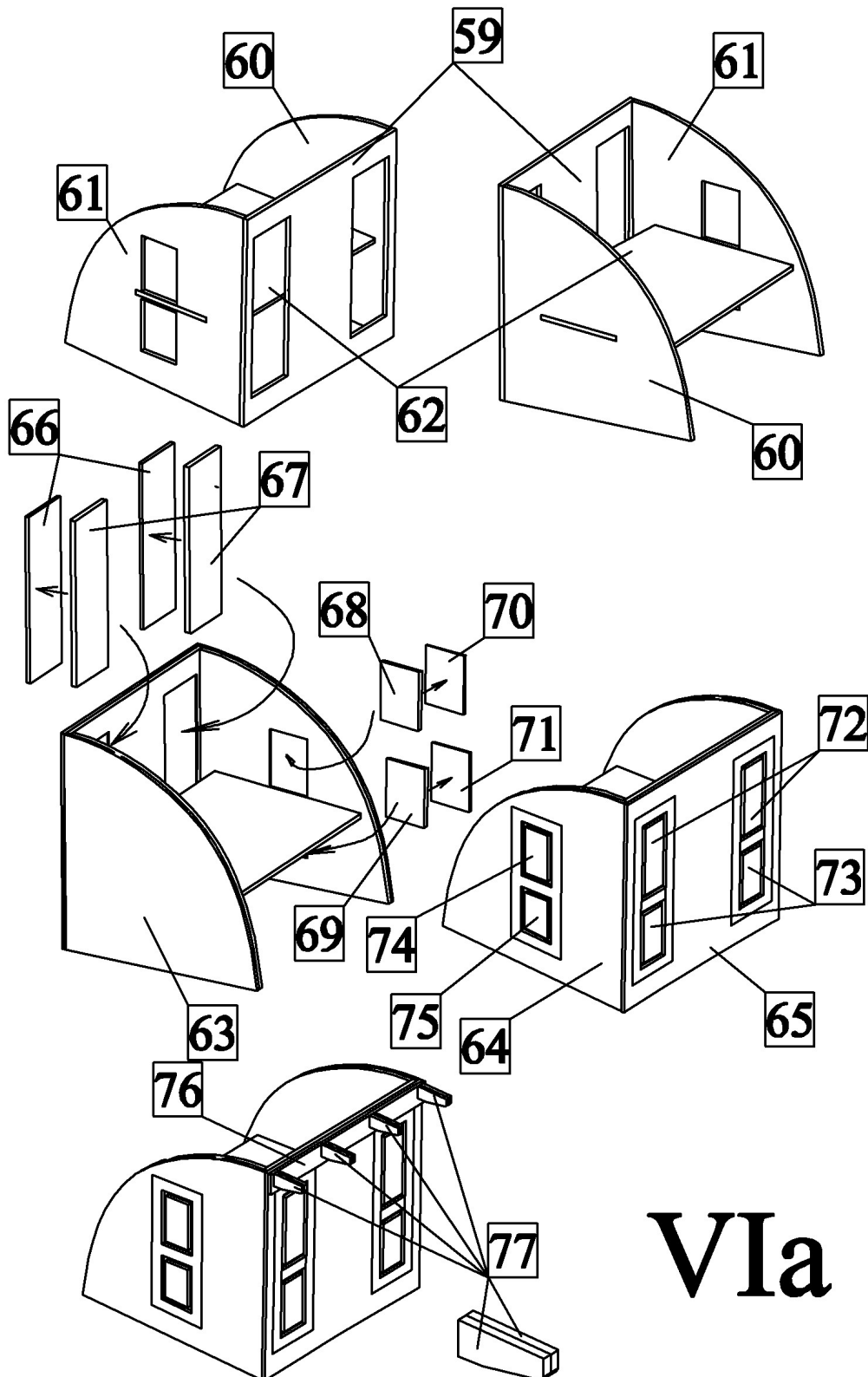


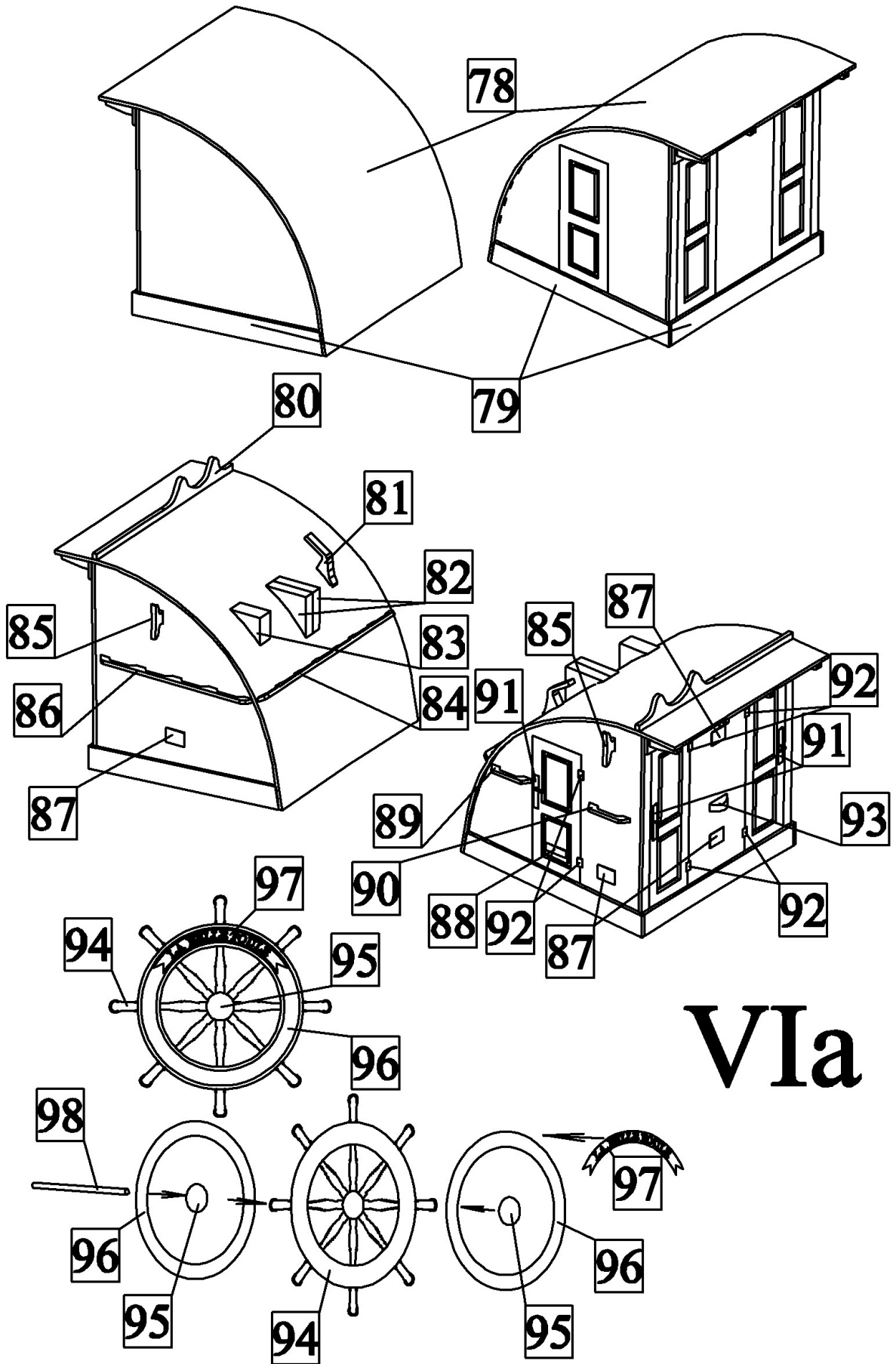
e) First glue nameplate 48, propeller 49 and nozzles 50 to stern. Then glue parts 51 and 52 to hull. Then glue parts 53, 56 and 57 to the hull and drill holes to the hull. Finally glue decorations 54 and 55 and reinforcement 58 to the bow.



VI) Details I

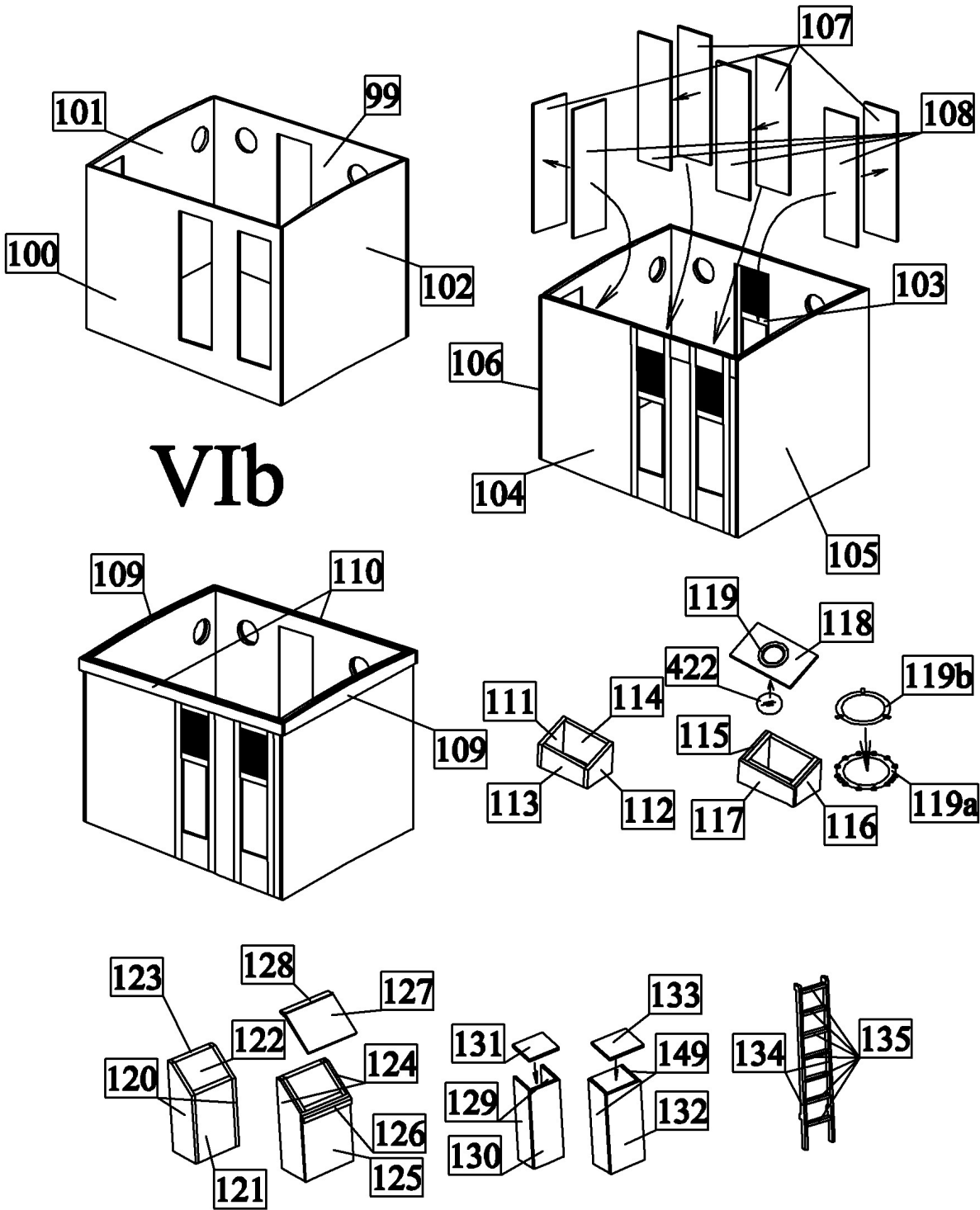
a) First glue frame of cabin from parts 59-62. Then glue arts 63-65 to the sides of cabin. Then glue together parts 66 and 67, 68 and 70 and 69 and 71 and glue them inside of cabin. Then glue parts 72-75 into their positions. Then glue parts 76 and 77 to parts 65. Then glue all other parts 80-93 to the cabin. Finally make the rudder wheel from parts 94-98 and glue it to the cabin too.

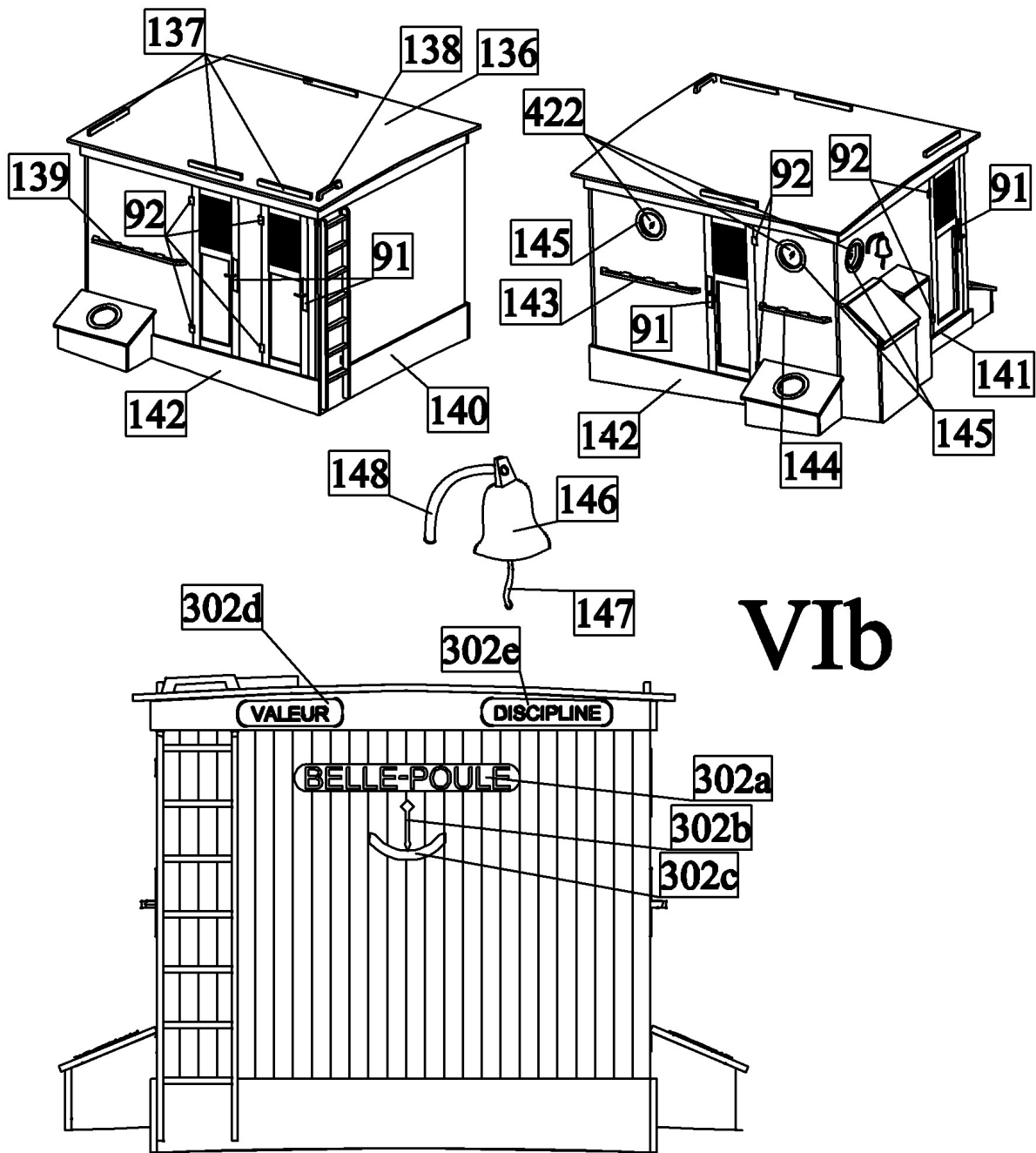




Vla

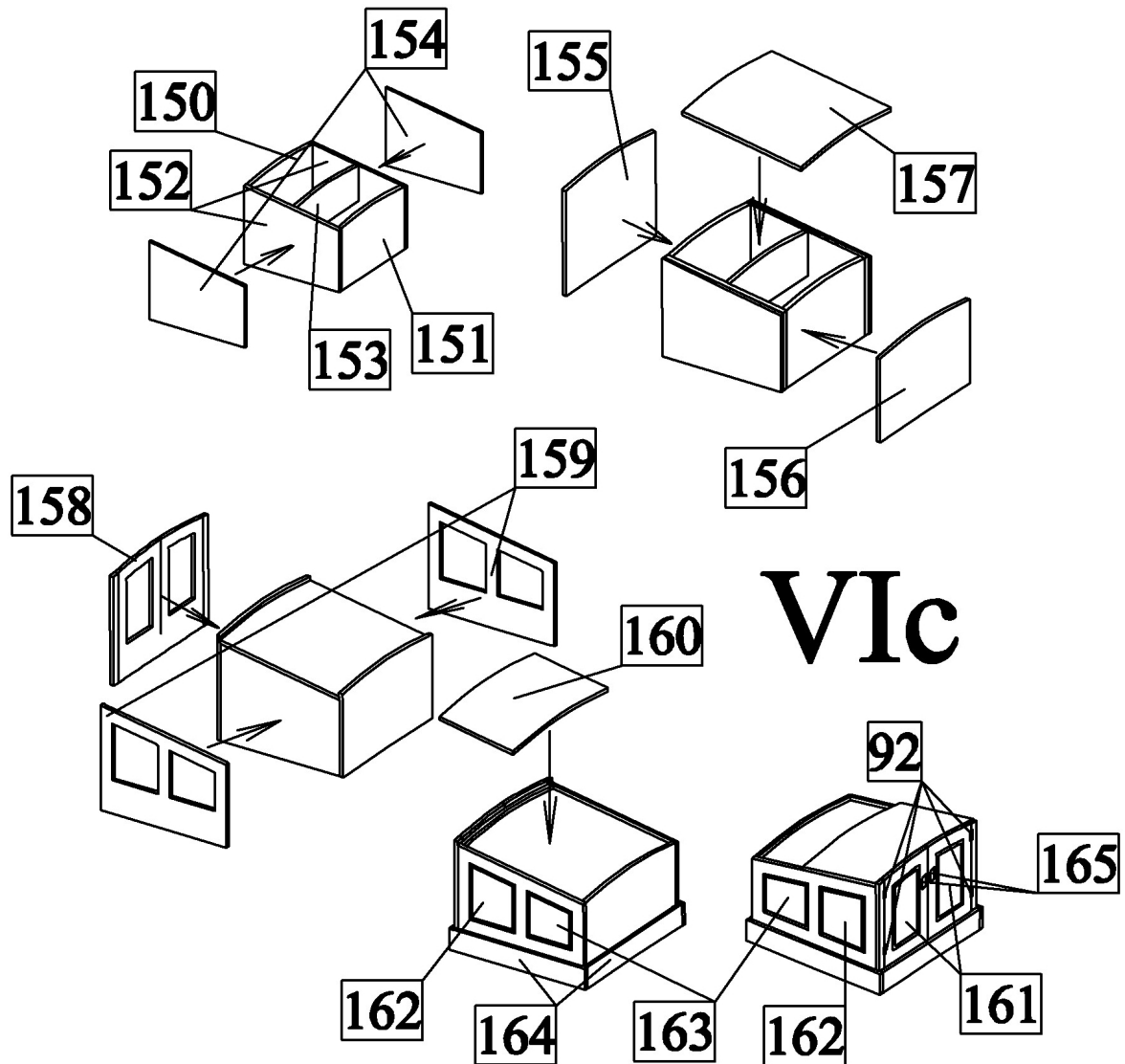
b) First glue frame of cabin from parts 99-102. Then glue parts 103-106 to the sides of cabin. Then glue together parts 107 and 108 glue them inside of cabin. Then glue parts 109 and 110 to the cabin. Then make skylights from parts 111-119, cases from parts 120-133 and ladder from parts 134 and 135. Then glaze all windows by transparent foil. Finally glue roof 136 and other details to the cabin as it is shown in the figure.



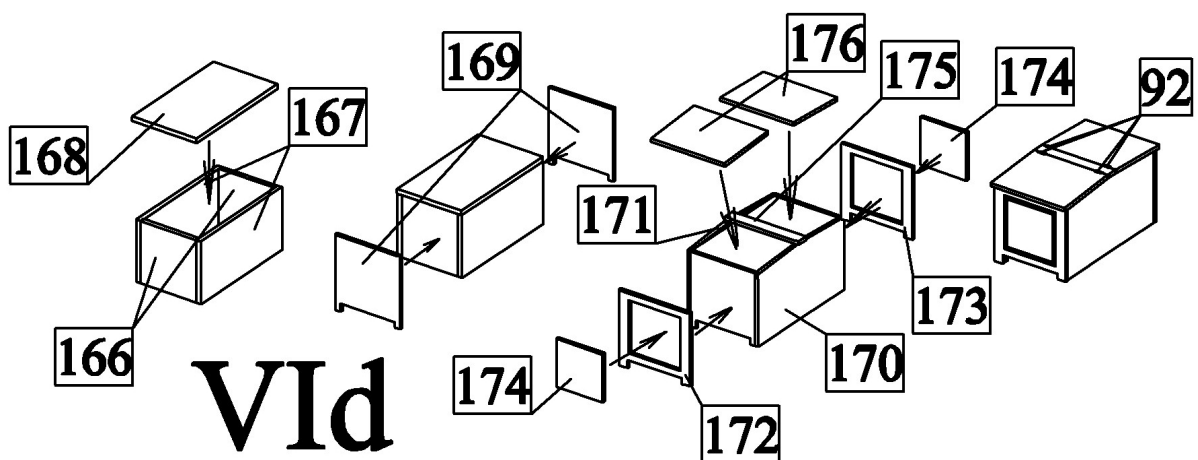


VIb

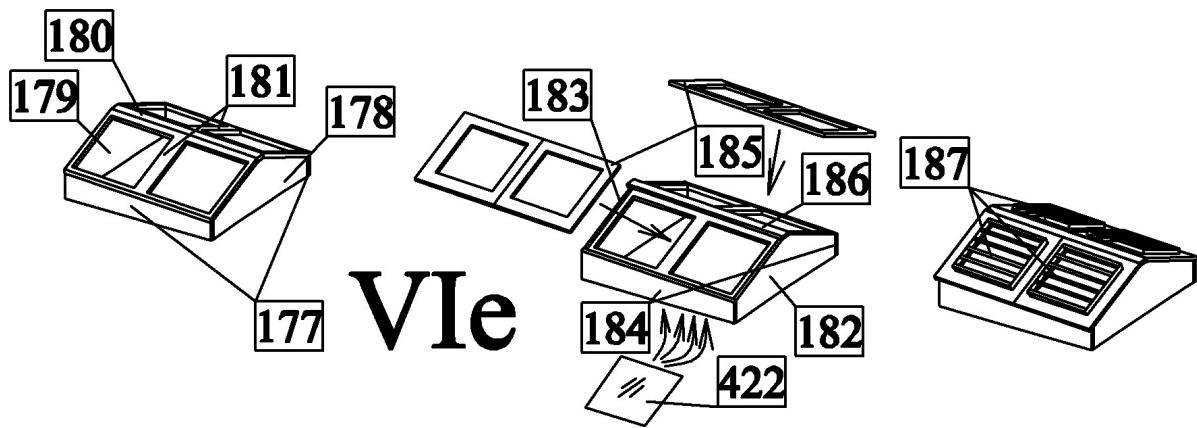
c) First glue frame of hatch from parts 150-152. Then glue parts 154-164 to the sides of hatch. Finally glue parts 165 and hinges 92 into their positions.



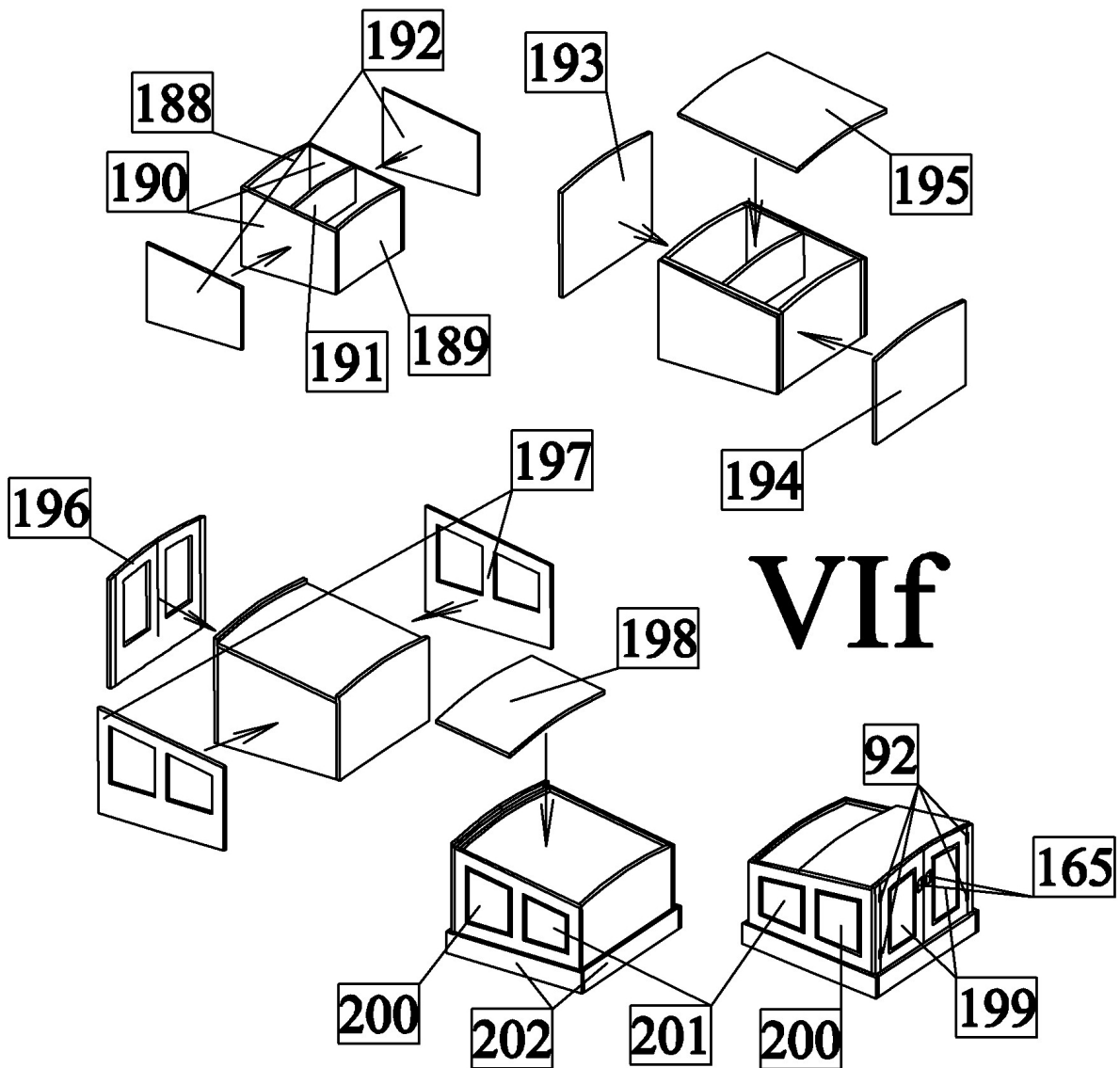
d) Make box from parts 166-176.



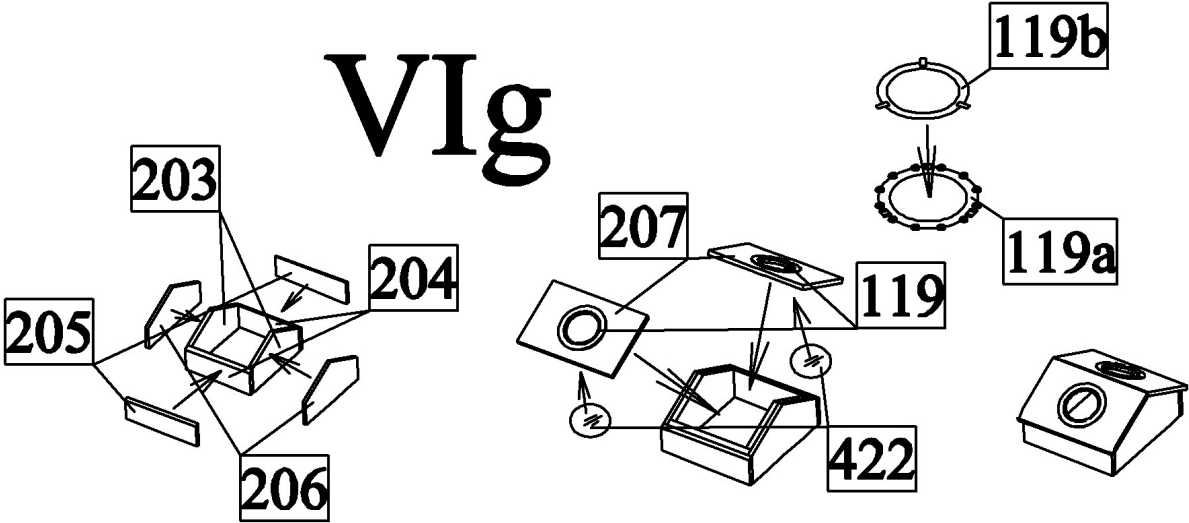
e) Make skylight from parts 177-187.



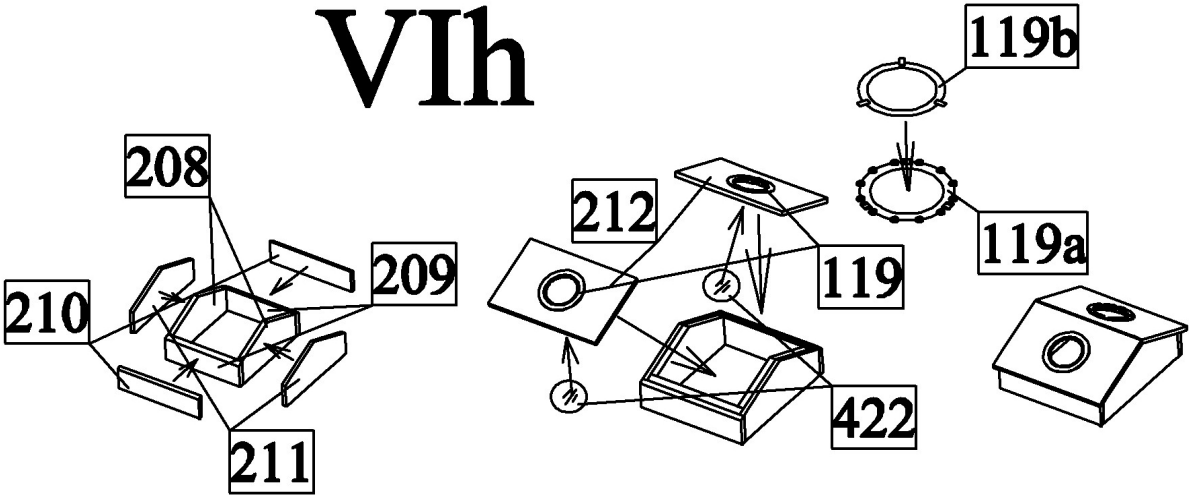
f) First glue frame of hatch from parts 188-190. Then glue parts 192-202 to the sides of hatch. Finally glue parts 165 and hinges 92 into their positions.



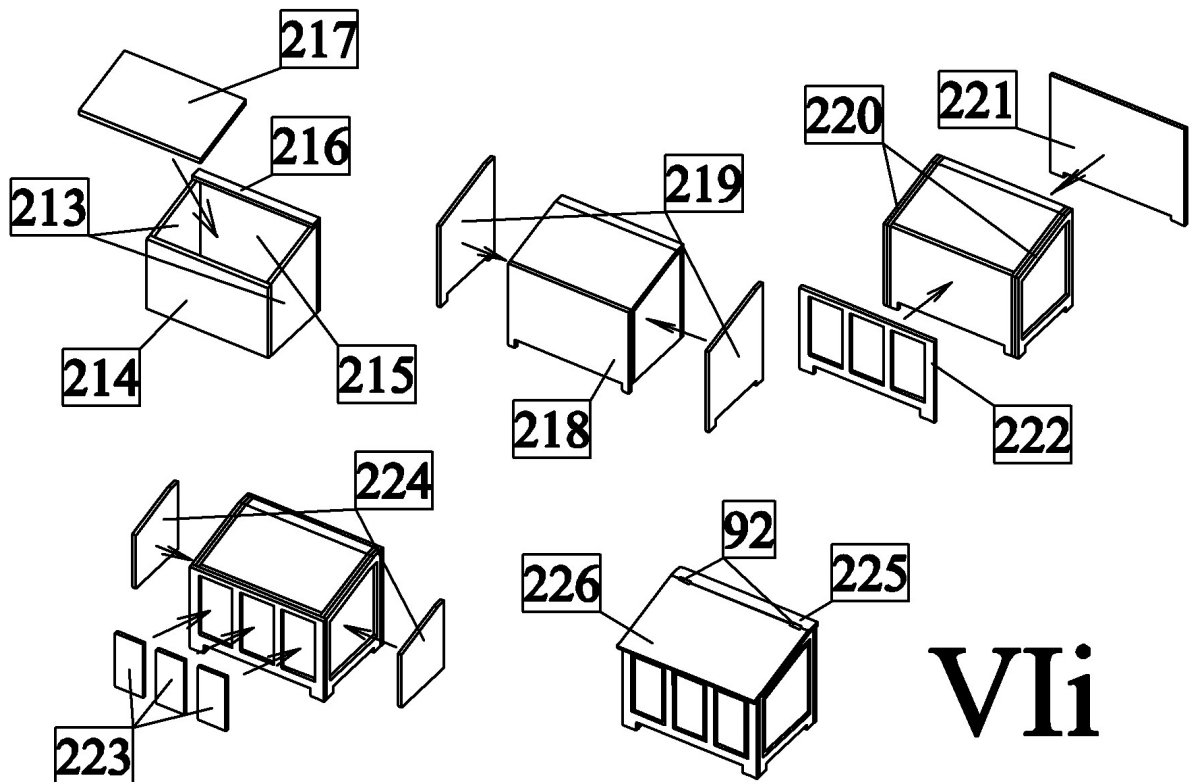
g) Make skylight from parts 203-207.



h) Make skylight from parts 208-212.

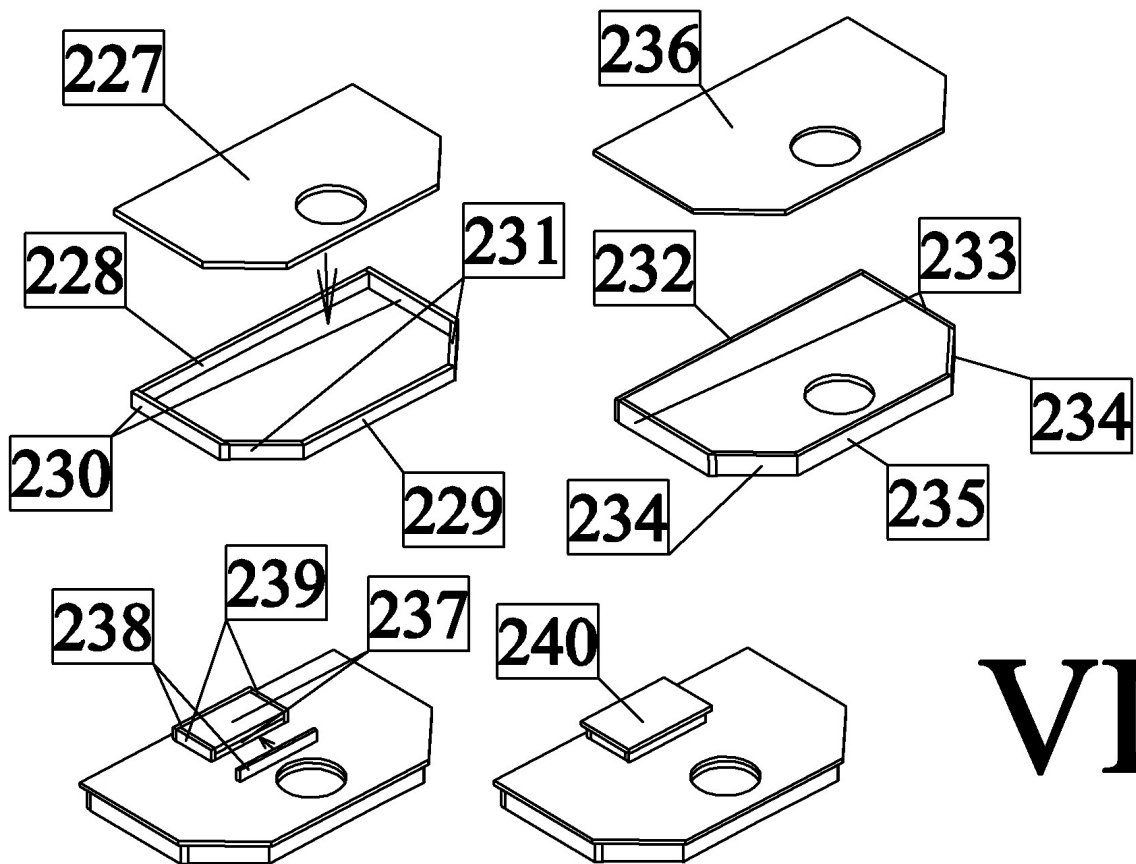


i) Make box from parts 213-226.



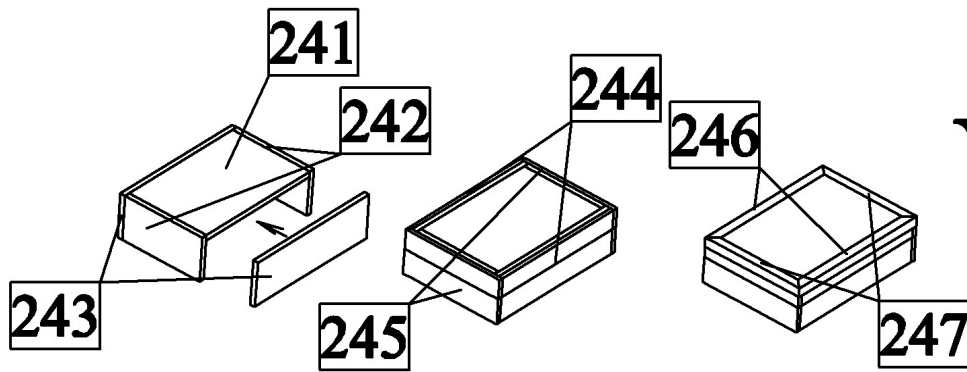
VIi

j) Make superstructure from parts 227-240.



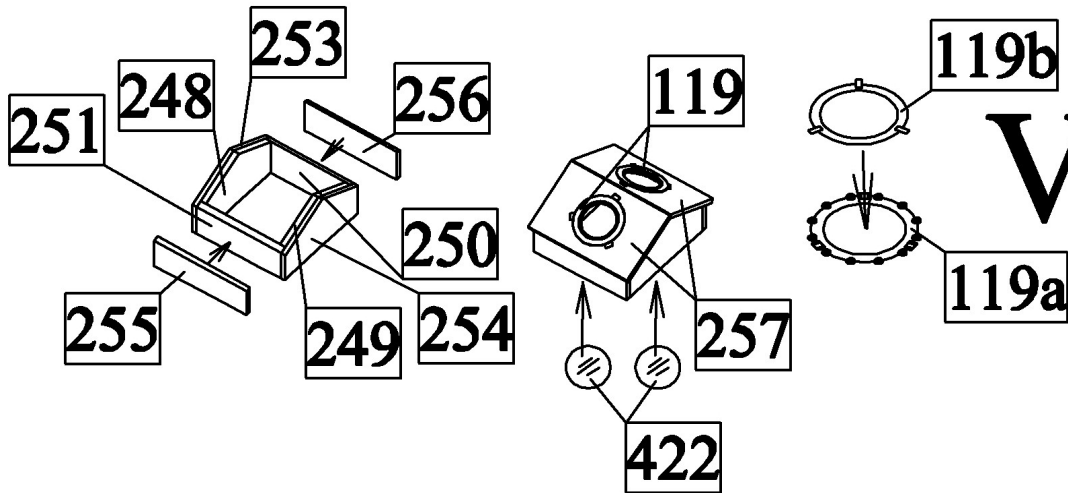
VIj

k) Make box from parts 241-247.



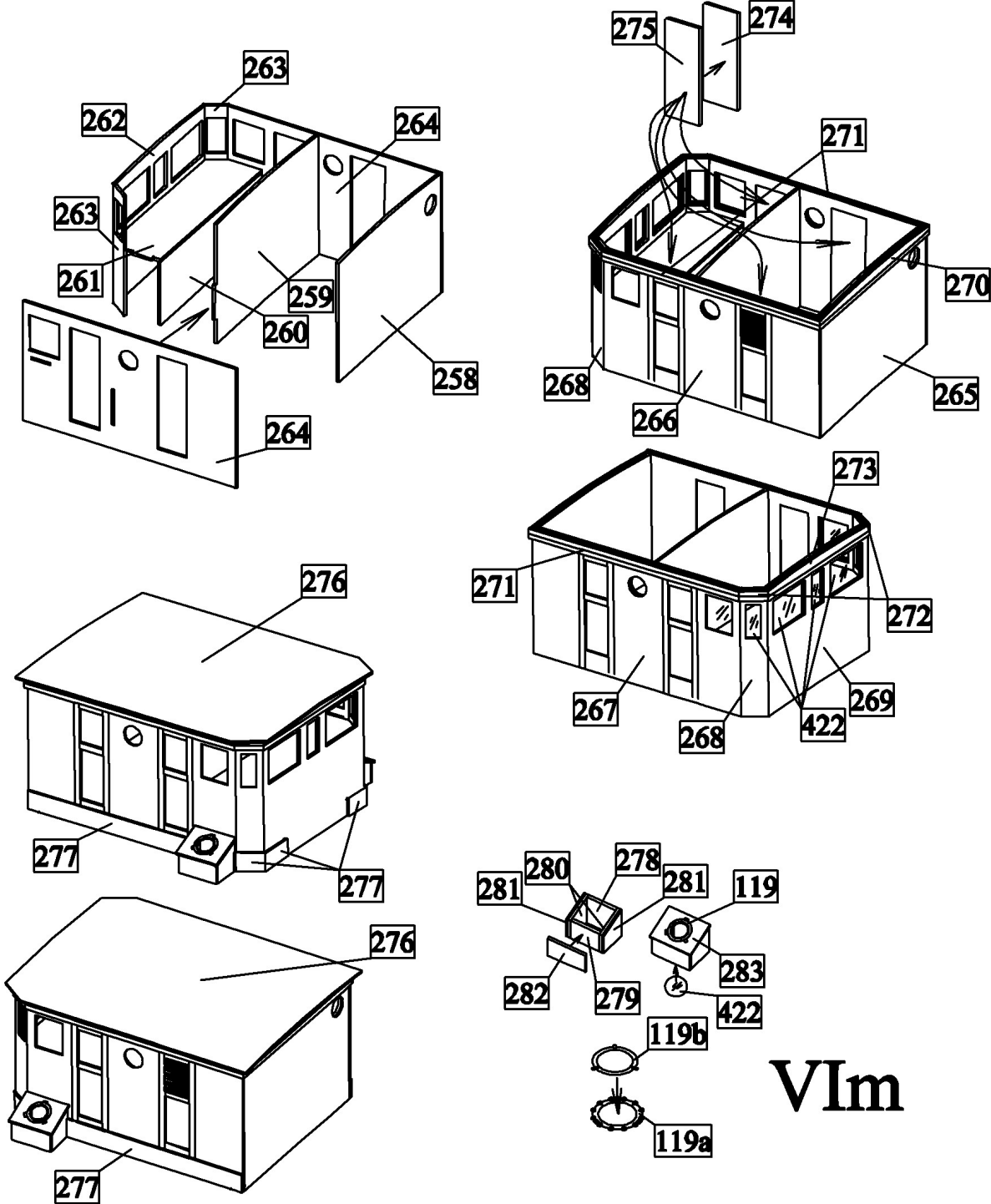
VIk

l) Make two skylights from parts 248-257.



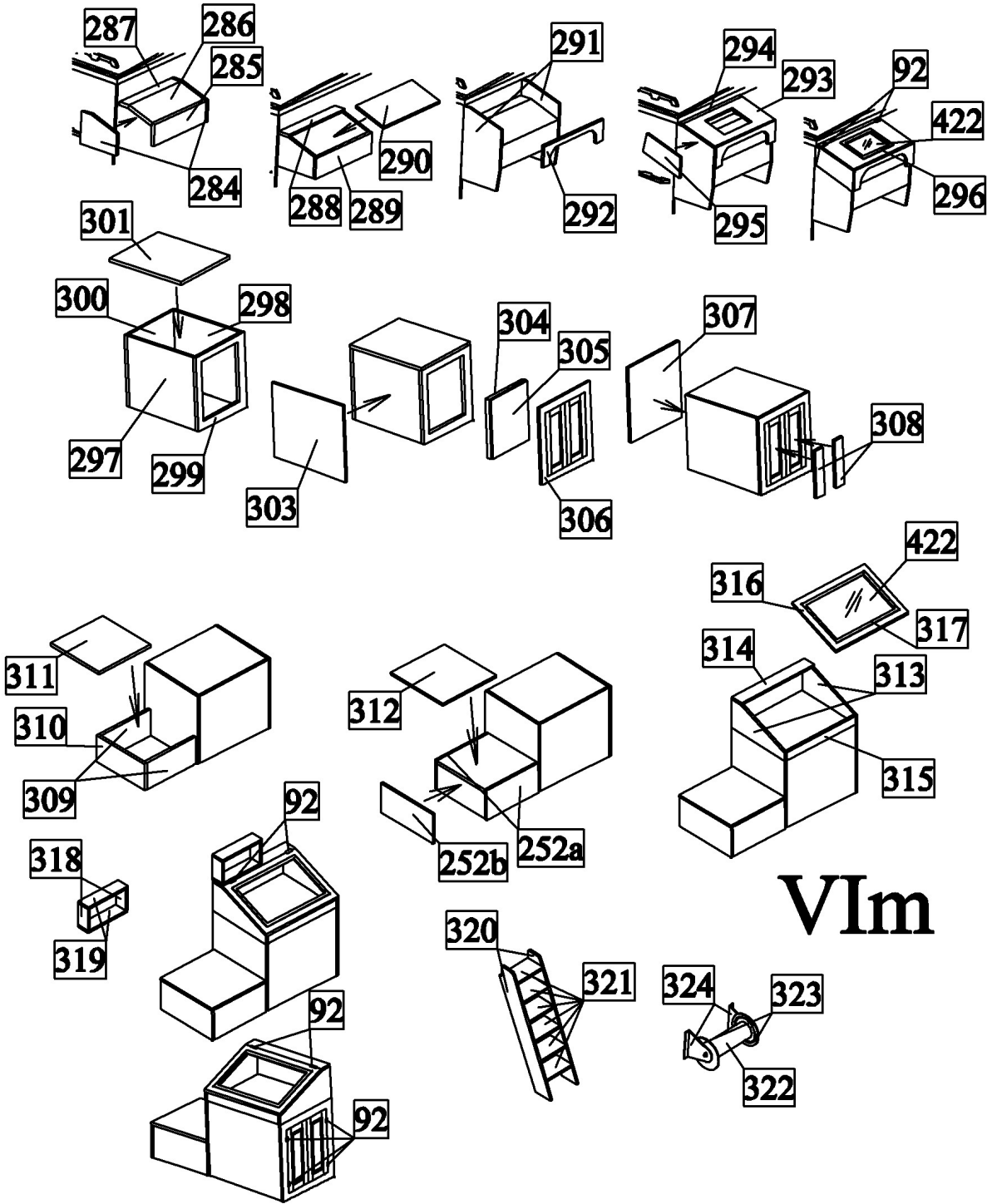
VII

m) First glue frame of cabin from parts 258-264. Then glue parts 265-273 to the sides of cabin. Then glue together parts 274 and 275 glue them inside of cabin. Then make skylights from parts 278-283. Finally glue roof 276 and parts 277 to the cabin.

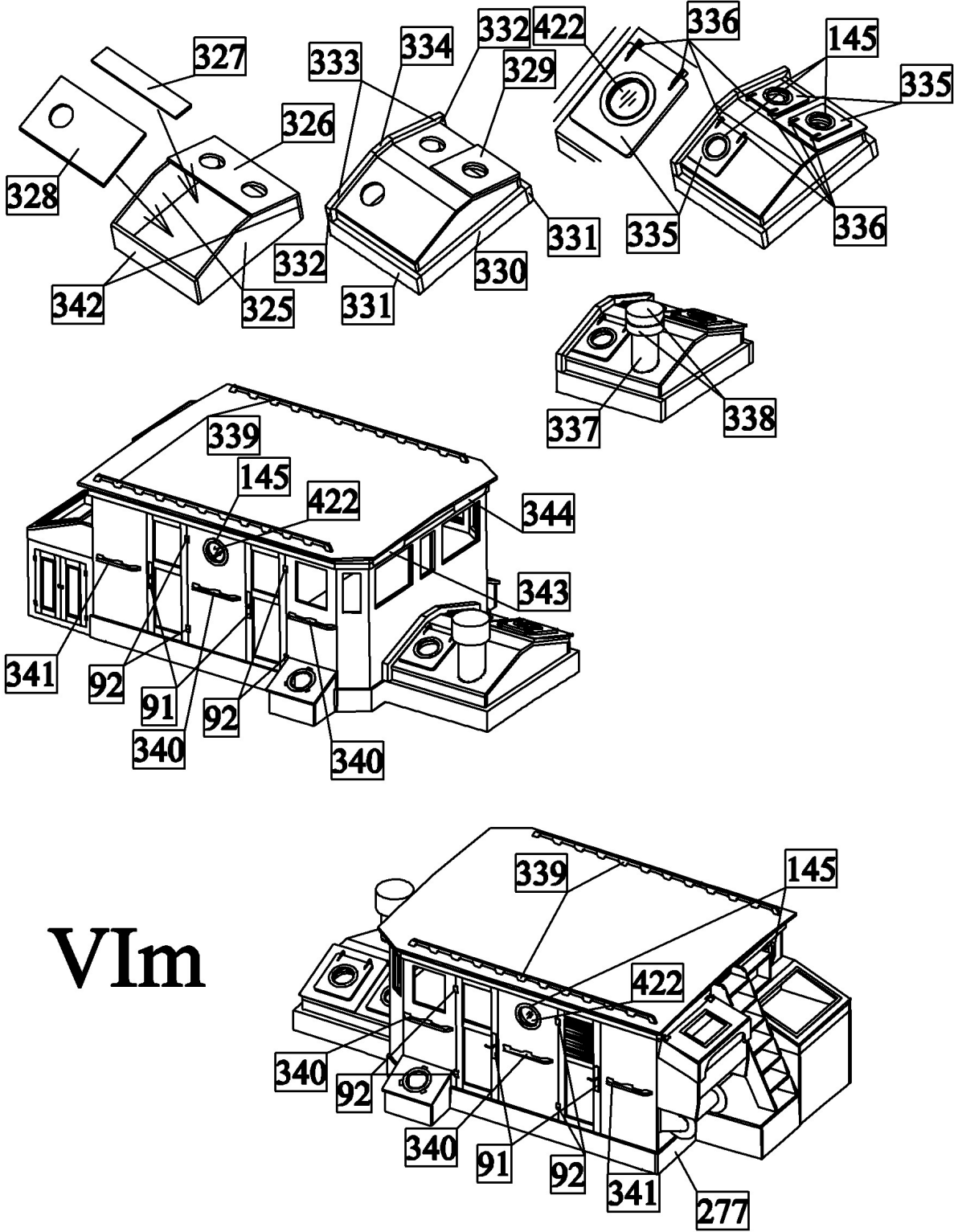


VIm

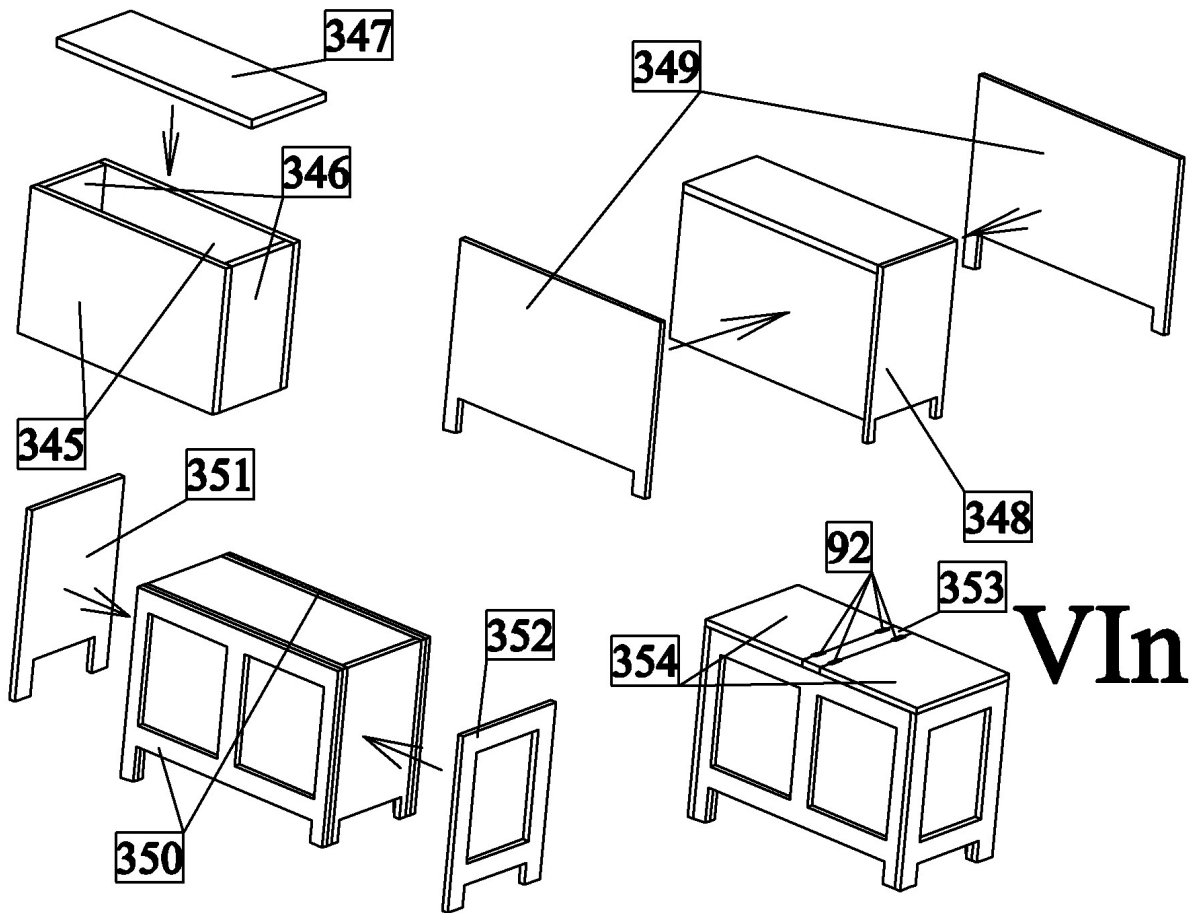
Make and glue also rest parts to the back side of the cabin as they are shown in the figure.



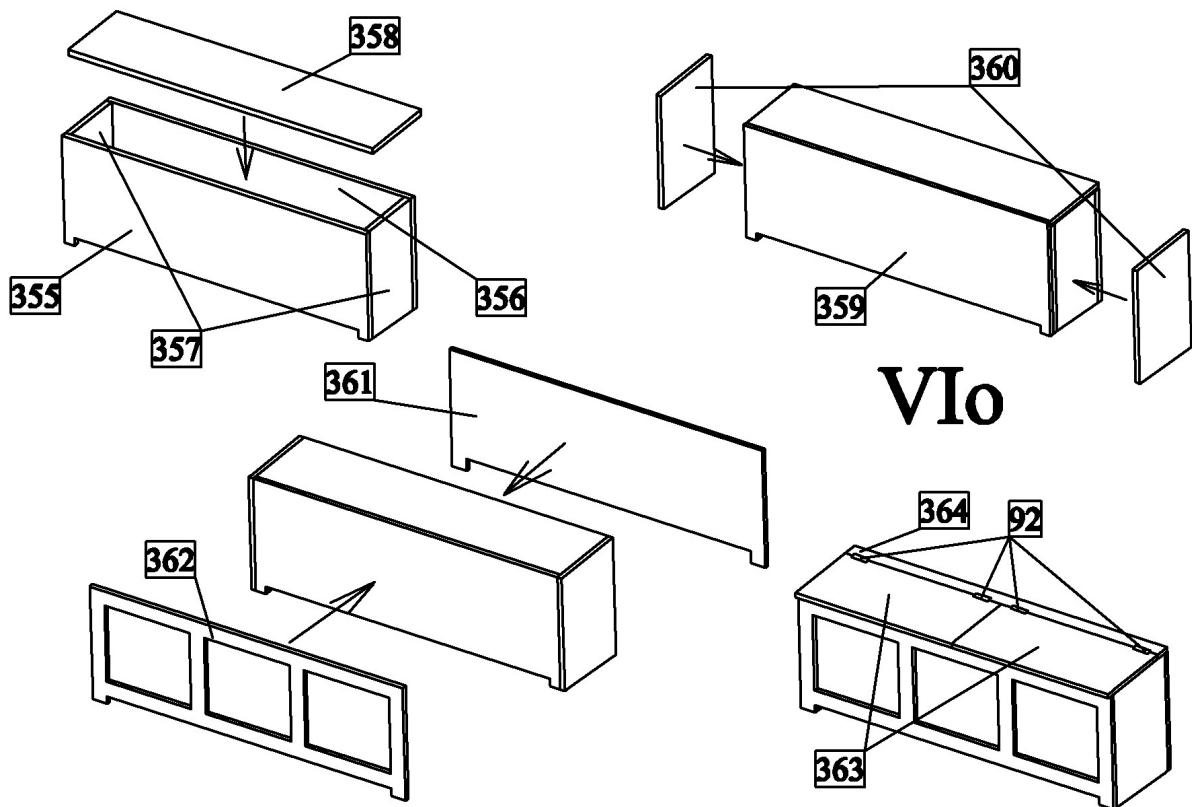
Make hatch to front side of cabin as it is shown in the figure.



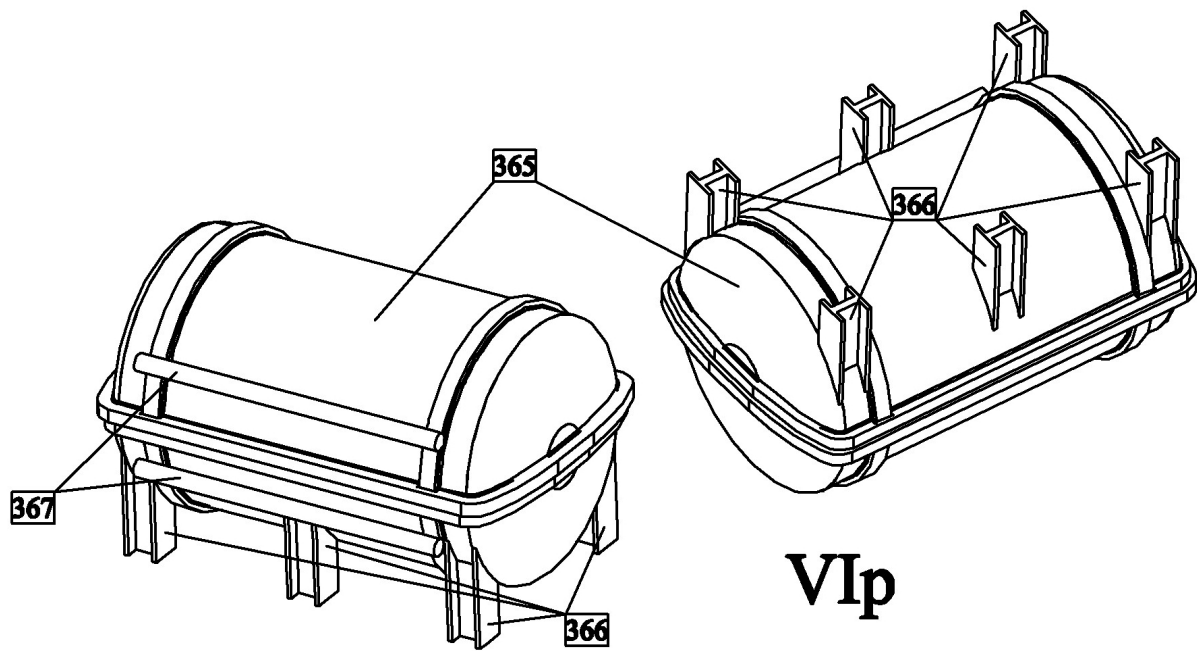
n) Make box from parts 345-354.



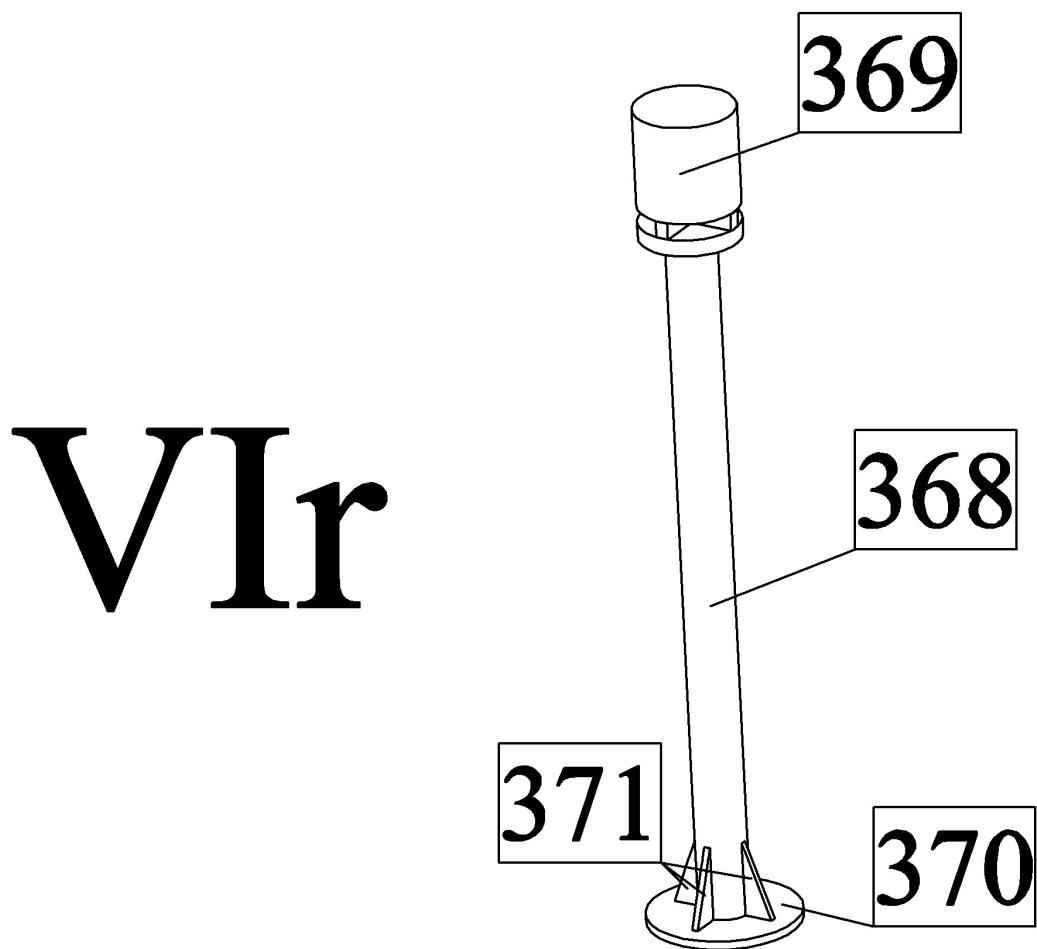
o) Make box from parts 355-364.



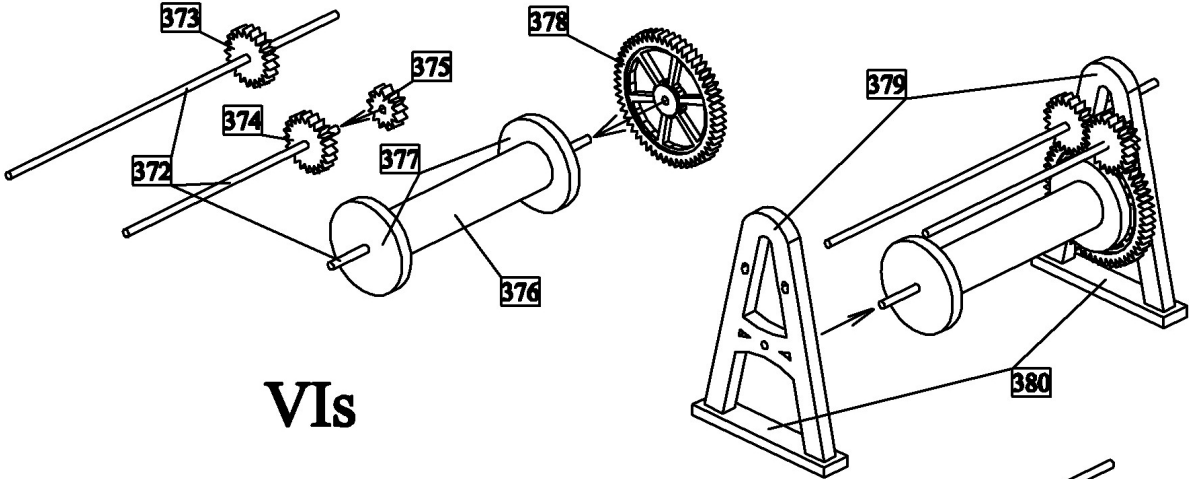
p) Make life raft containers.



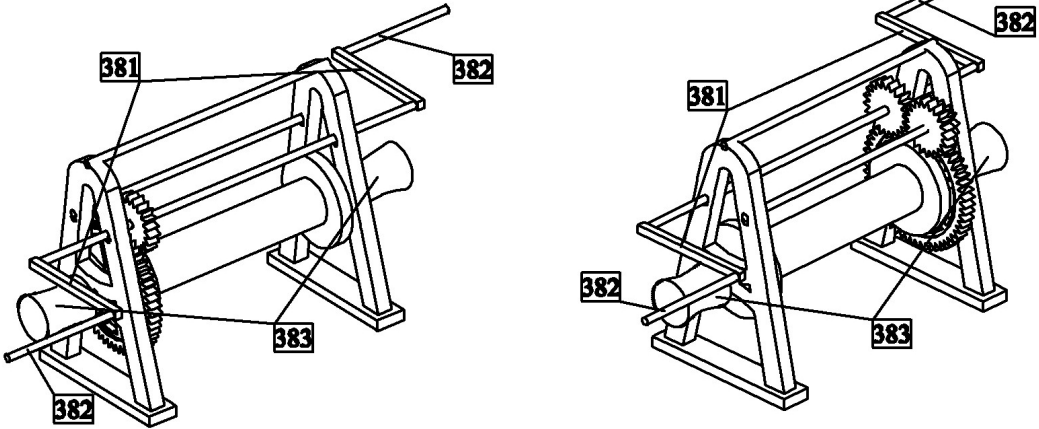
r) Make chimney.



s) Make hand windlass.

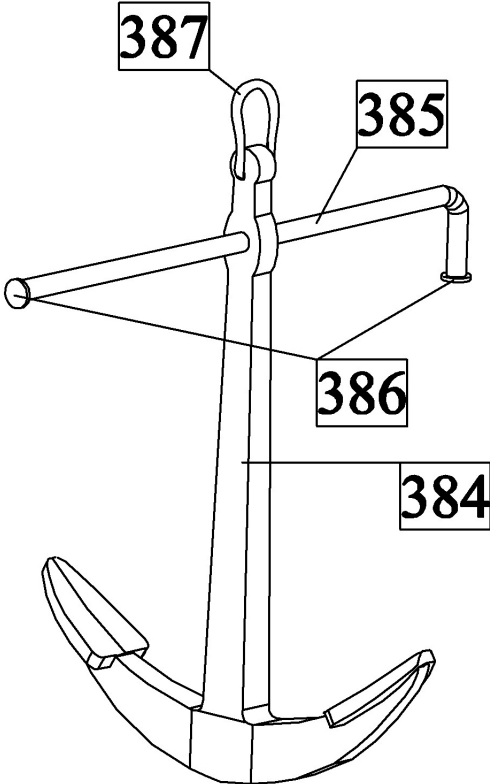


VIs

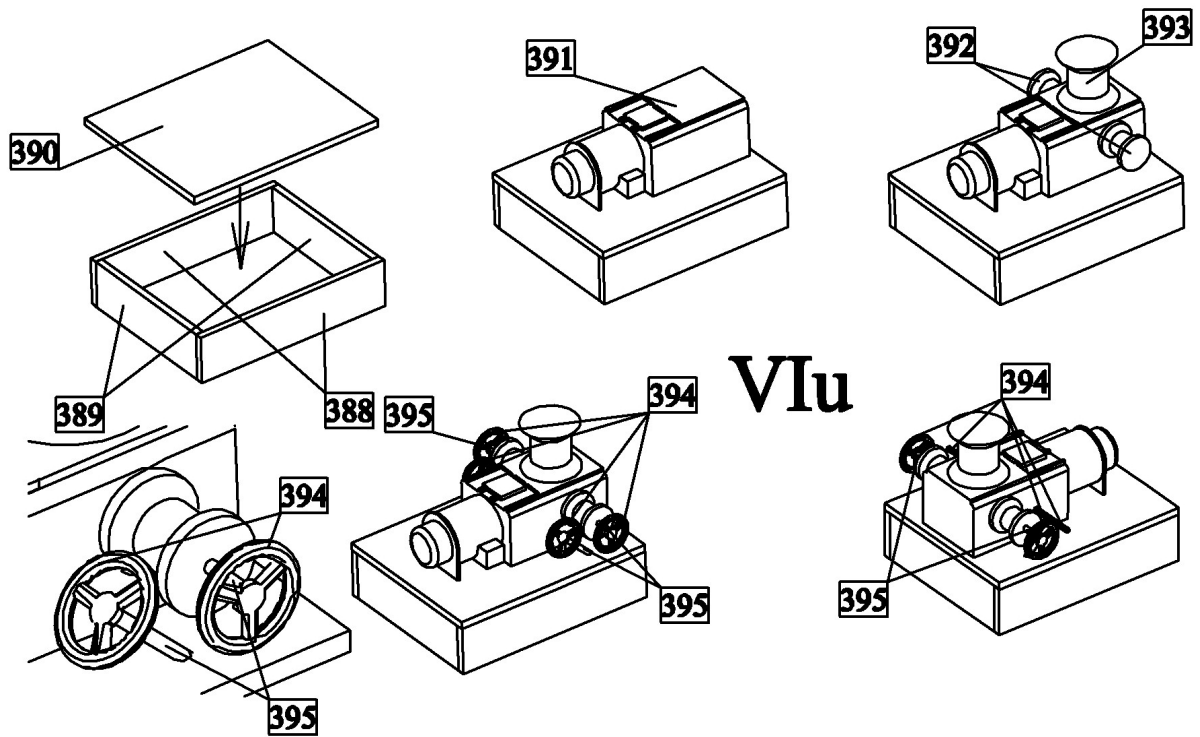


t) Make anchors.

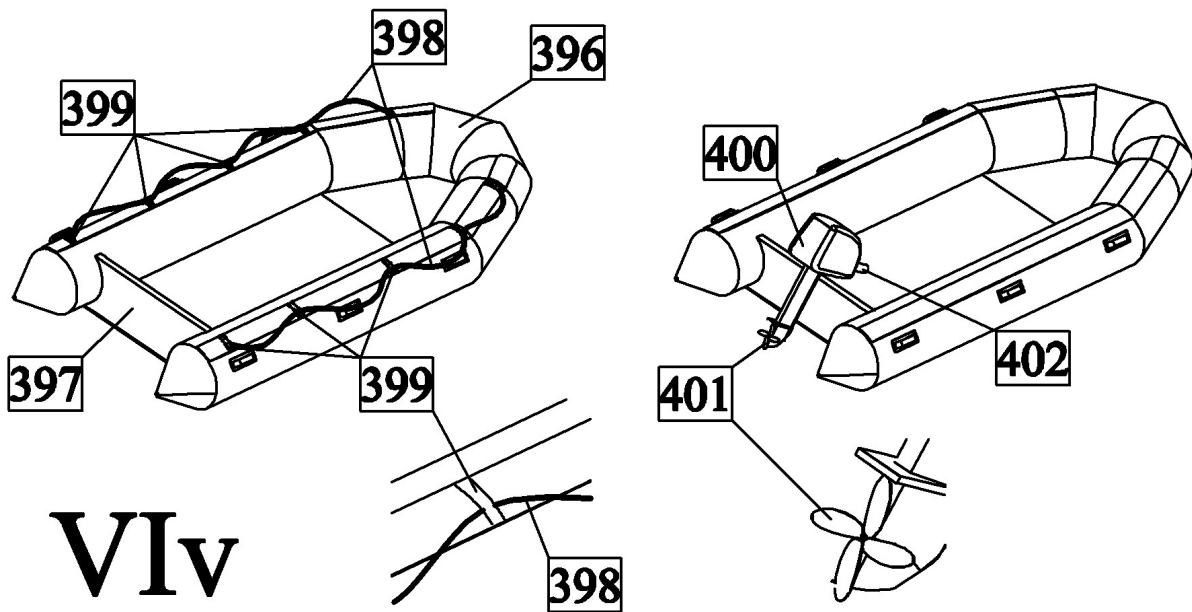
VIIt



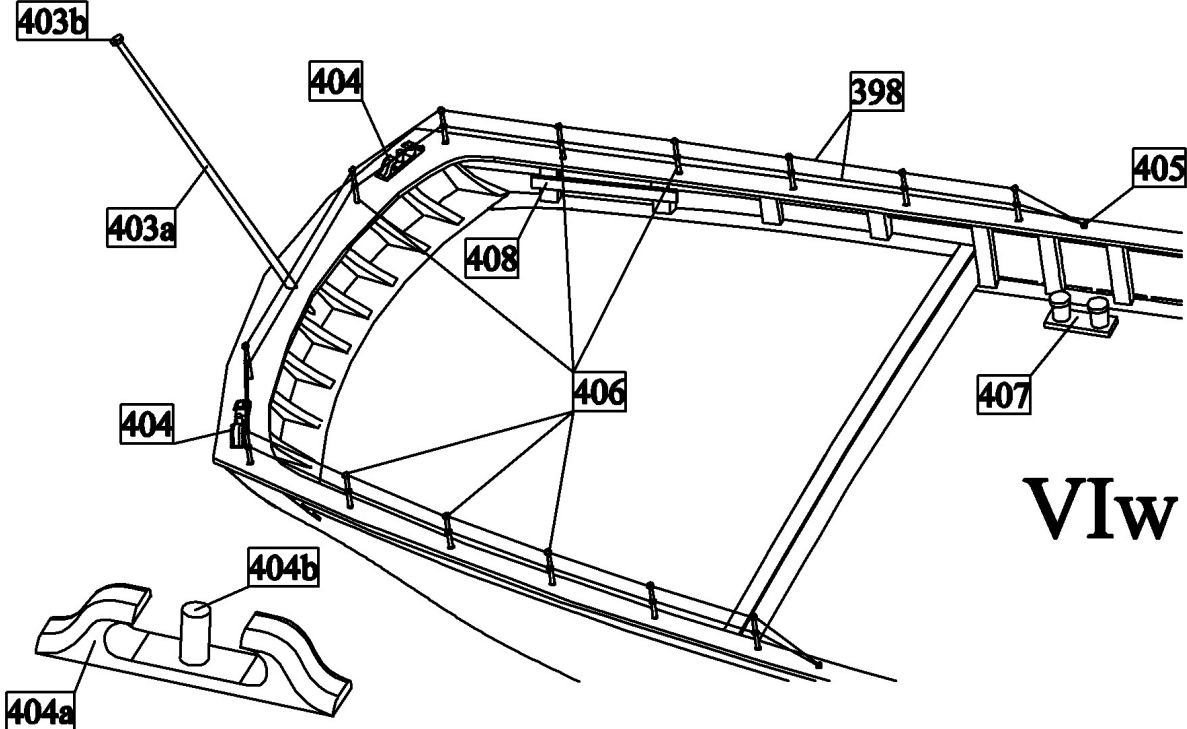
u) Make motor windlass.



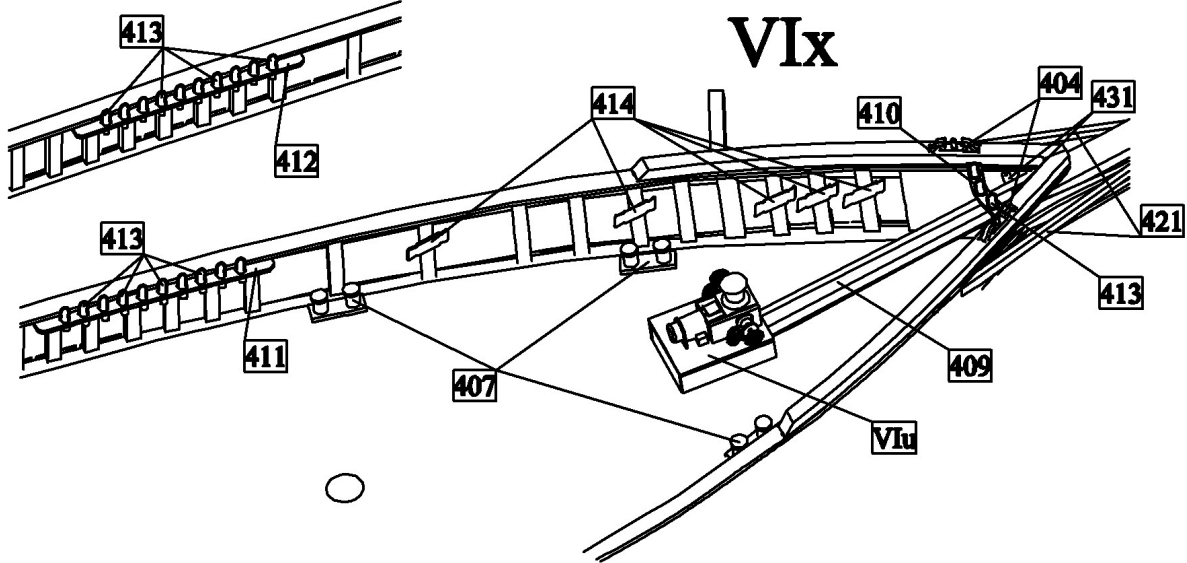
v) Make rubber boat.



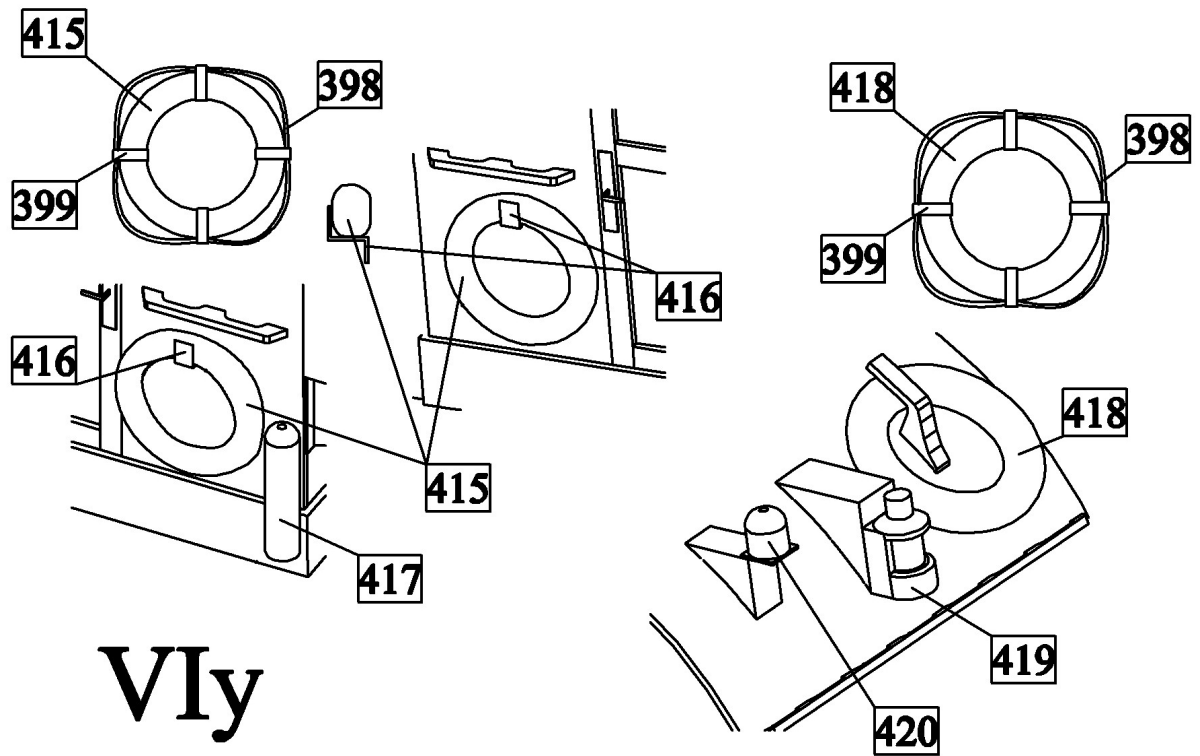
w) Glue details on their places as it is shown in the figure.



x) Glue details on their places as it is shown in the figure.

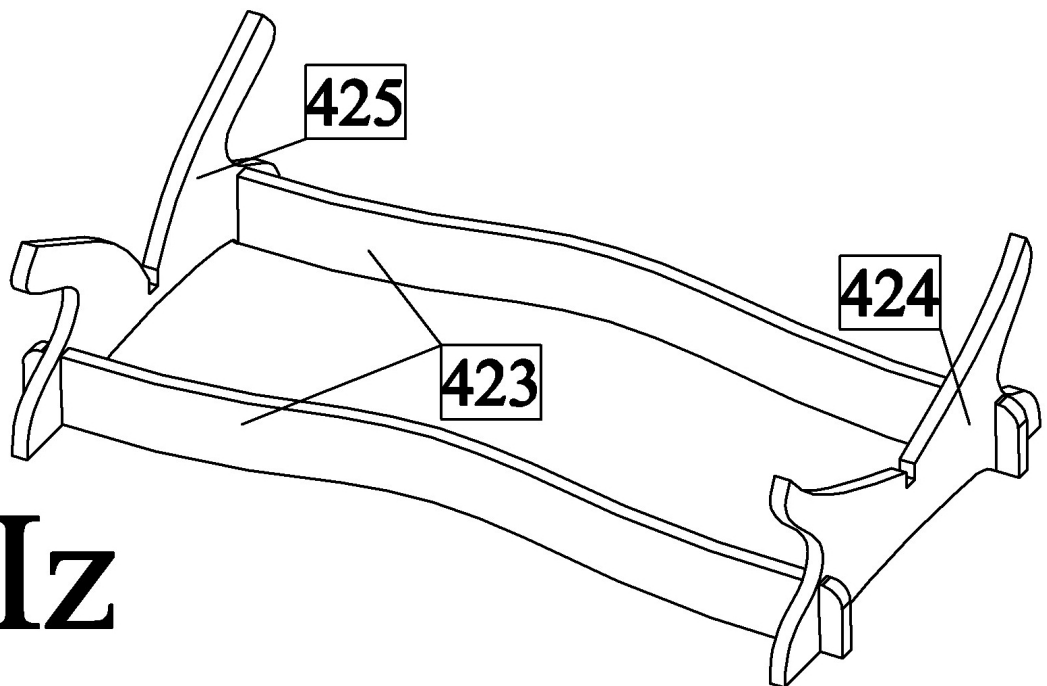


y) Install life belts, fire extinguisher and other deals on their places.



VIy

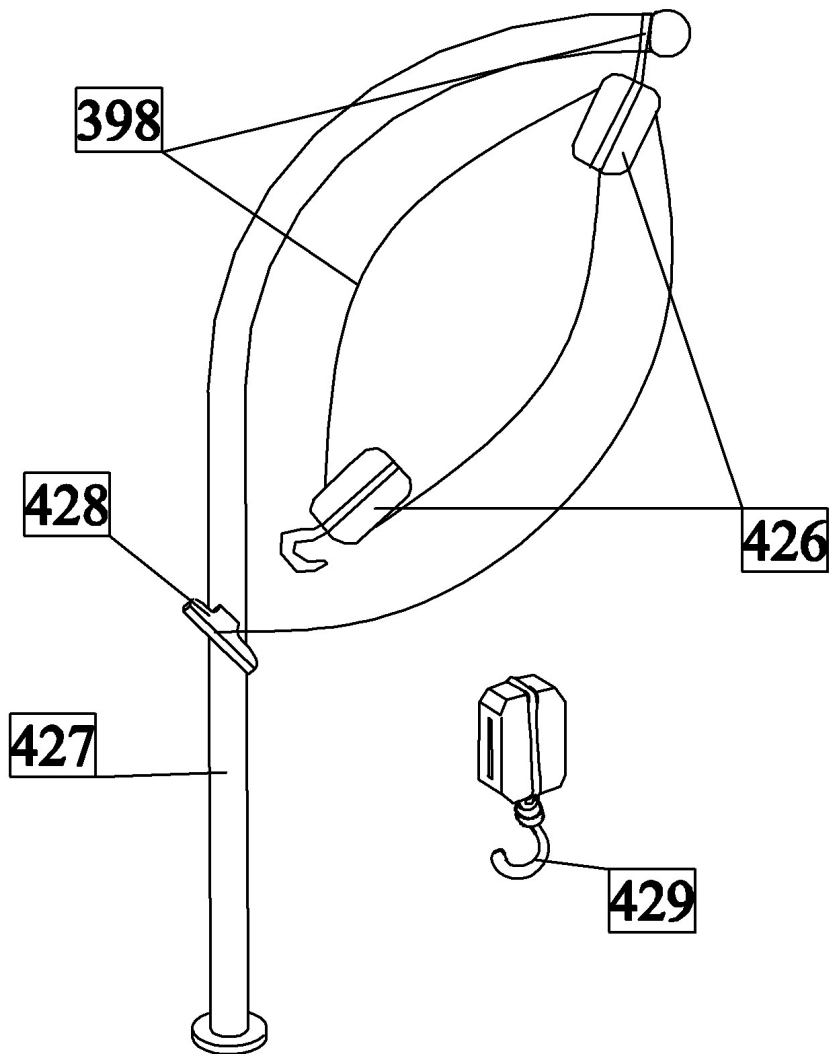
z) Make stand.



VIz

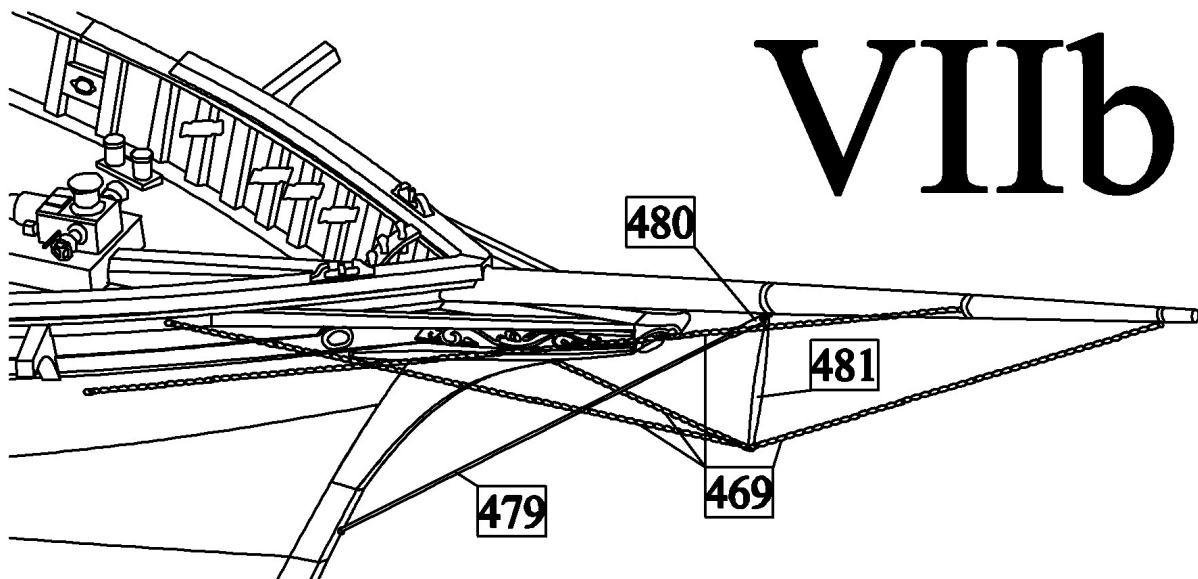
VII) Details II

a) Make davits.



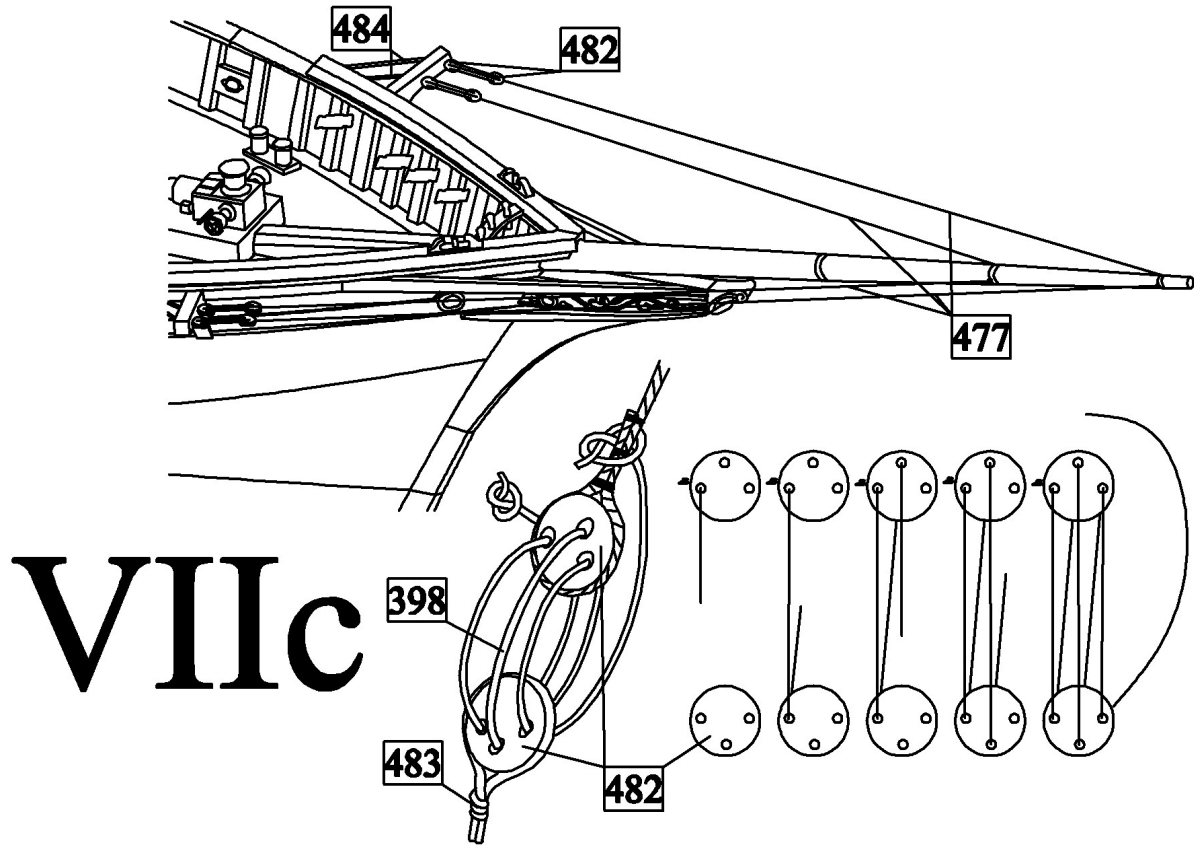
VIIa

b) Tie chains to bowsprit.

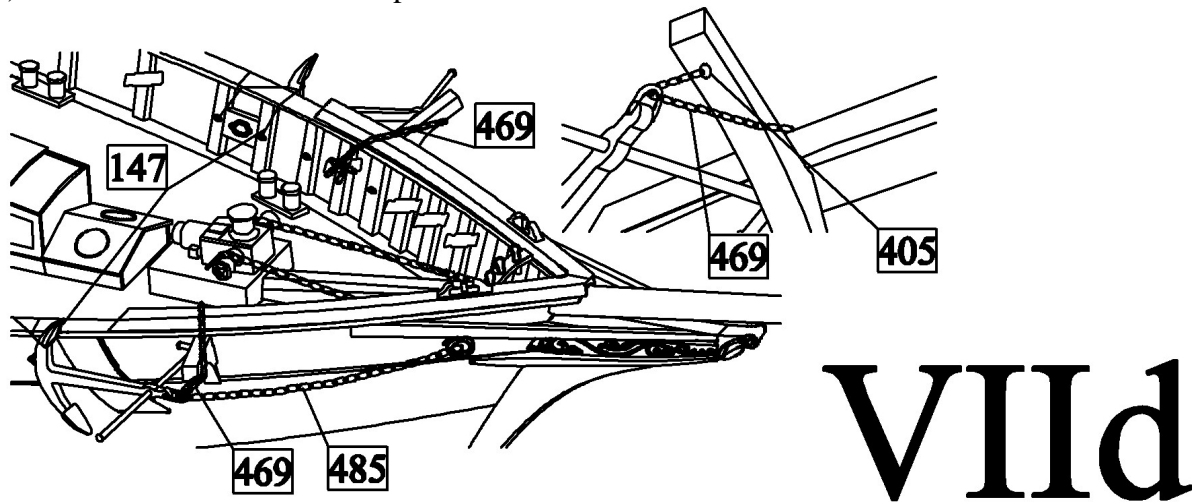


VIIb

c) Tie shrouds to bowsprit.



d) Install the anchors into their places.

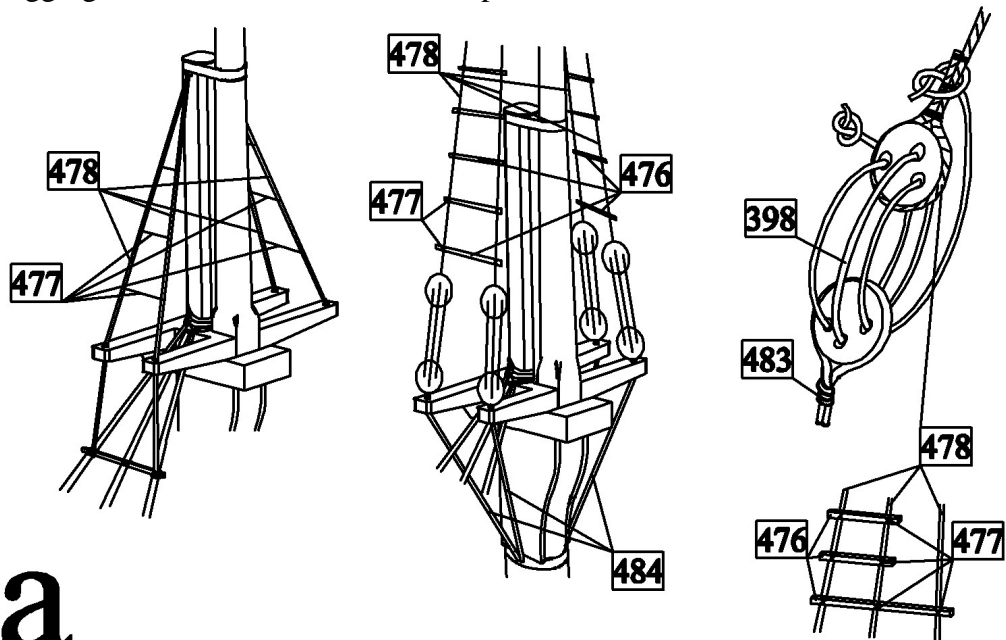


VIII) Masts and yards

a) Make masts and yards from dowels. Attention: pass the hoops 503 on the masts before gluing of cleats 435!

IX) Standing rigging

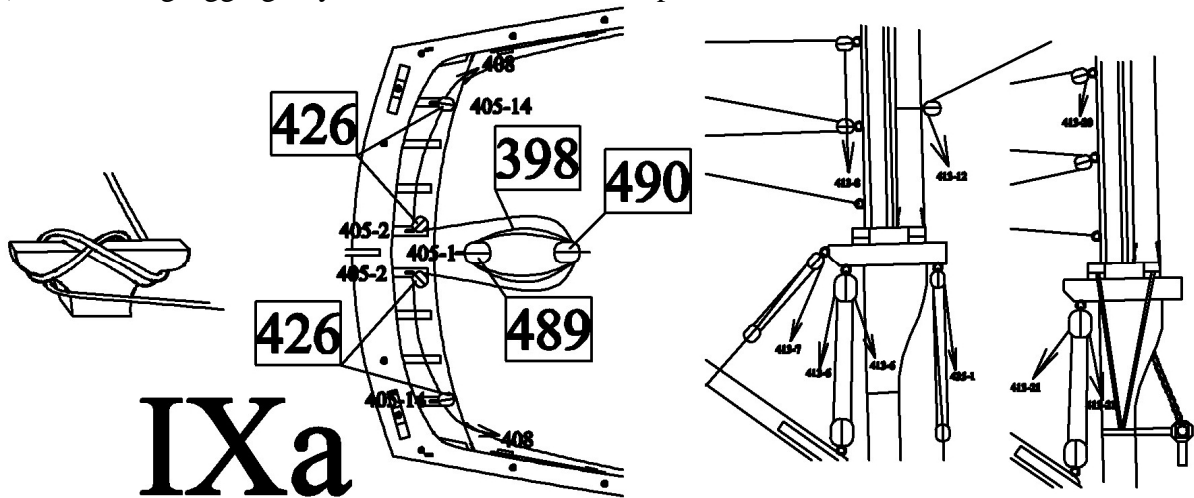
a) Tie standing rigging to masts as it is shown in the plans.



IXa

X) Running rigging

a) Tie running rigging to yards as it is shown in the plans.

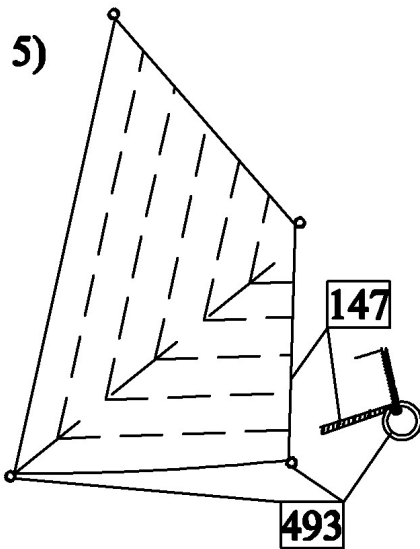
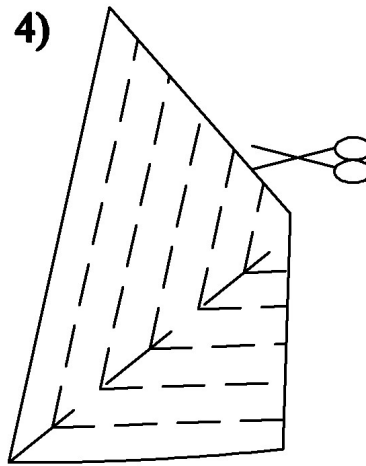
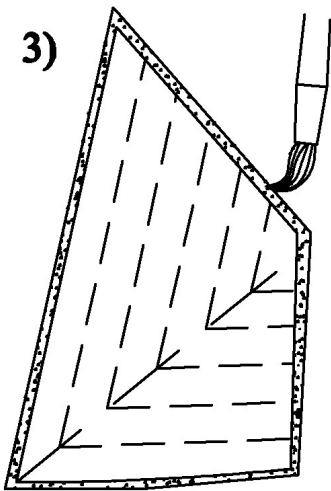
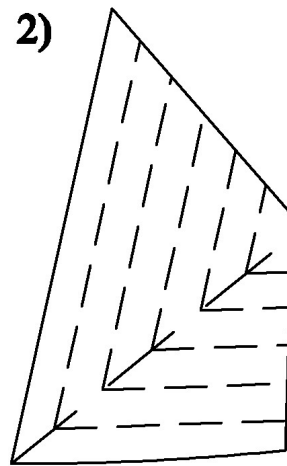
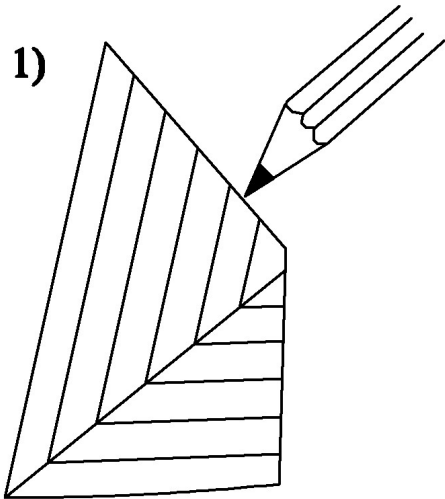


IXa

XI) Sails

a) Make sails:

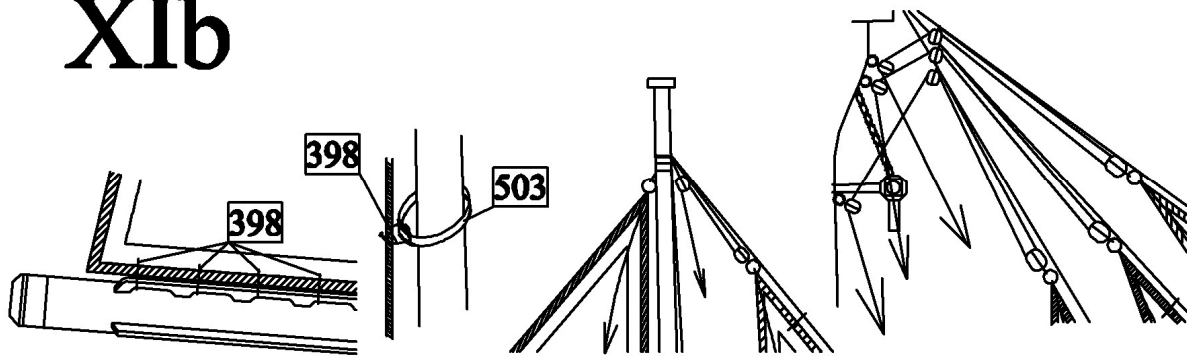
- 1) Draw by pencil contours and segments of the sail on the cloth.
- 2) By a sewing machine sew outlines of the sails segments.
- 3) Paint outlines of the sails by water based white glue.
- 4) Cut the sails from sheet.
- 5) Glue ropes 147 with rings 493 to the sails.



XIa

b) Install the sails into their positions as it is shown in the plans.

XIb



Part list:

0	Keel	plywood 4mm	1pc.
1-14	Frames	plywood 4mm	1pc.
15-23	Reinforcements	plywood 4mm	2pcs.
24-26	Deck	plywood 0,8mm	1pc.
27a-p	Planking I	plywood 0,8mm	2pcs.
28a-x	Planking II	veneer 0,6mm	2pcs.
29a-e	Planking III	veneer 0,6mm	2pcs.
30	Planking III	veneer 0,6mm	1pc.
31-33	Deck	veneer 0,6mm	1pc.
34	Frames	strip 2x3mm	4pcs.
35a	Frames	wood 2mm	2pcs.
35b	Frames	wood 2mm	8pcs.
36, 37	Reinforcements	veneer 0,6mm	2pcs.
38, 39	Reinforcements	wood 2mm	2pcs.
40a-e	Plank sheer	wood 1,5mm	2pcs.
40f	Plank sheer	wood 1,5mm	1pc.
41	Reinforcements	wood 3mm	2pcs.
42	Doors	plywood 0,8mm	2pcs.
43	Door hinges	photoetched part	4pcs.
44	Rudder	wood 3mm	1pc.
45	Copper plates	copper foil	1pc.
46, 47	Rudder hinges	photoetched part	3pcs.
48	Plate	photoetched part	1pc.
49	Propeller	resin part	1pc.
50	Nozzle	resin part	4pcs.
51	Reinforcements	photoetched part	2pcs.
52	Cathead	wood 3mm	2pcs.
53	Hawse holes edging	photoetched part	4pcs.
54	Decoration	photoetched part	2pcs.
55	Decoration	resin part	1pc.
56	Board	wood 2mm	4pcs.
57	Holes edging	photoetched part	8pcs.
58	Reinforcements	photoetched part	1pc.
59-62	Cabin	plywood 0,8mm	1pc.
63-65	Cabin	veneer 0,6mm	1pc.

66	Cabin	veneer 0,6mm	2pcs.
67	Cabin	plywood 0,8mm	2pcs.
68, 69	Cabin	plywood 0,8mm	1pc.
70, 71	Cabin	veneer 0,6mm	1pc.
72, 73	Cabin	veneer 0,6mm	2pcs.
74, 75	Cabin	veneer 0,6mm	1pc.
76	Cabin	veneer 0,6mm	1pc.
77	Cabin	veneer 0,6mm	8pcs.
78, 79	Cabin	veneer 0,6mm	1pc.
80	Cabin	plywood 0,8mm	1pc.
81	Cabin	wood 1,5mm	1pc.
82	Cabin	wood 2mm	2pcs.
83	Cabin	wood 3mm	1pc.
84	Cabin	veneer 0,6mm	1pc.
85	Cabin	plywood 0,8mm	1pc.
86	Cabin	veneer 0,6mm	1pc.
87	Cabin	photoetched part	4pcs.
88	Cabin	photoetched part	1pc.
89, 90	Cabin	veneer 0,6mm	1pc.
91	Handles	photoetched part	4pcs.
92	Panty	drát 0,5mm	1m
93	Cabin	wood 2mm	1pc.
94	Rudder wheel	plywood 0,8mm	1pc.
95, 96	Rudder wheel	plywood 0,8mm	2pcs.
97	Rudder wheel	photoetched part	1pc.
98	Rudder wheel	wire 1mm	15cm
99-102	Cabin	plywood 0,8mm	1pc.
103-106	Cabin	veneer 0,6mm	1pc.
107	Cabin	veneer 0,6mm	4pcs.
108	Cabin	plywood 0,8mm	4pcs.
109, 110	Cabin	veneer 0,6mm	2pcs.
111-113	Cabin	plywood 0,8mm	2pcs.
114-118	Cabin	veneer 0,6mm	2pcs.
119a, 119b	Windows	photoetched part	16pcs.
120	Cabin	plywood 0,8mm	2pcs.
121-123	Cabin	plywood 0,8mm	1pc.
124	Cabin	veneer 0,6mm	2pcs.
125-128	Cabin	veneer 0,6mm	1pc.
129	Cabin	plywood 0,8mm	2pcs.
130, 131	Cabin	plywood 0,8mm	1pc.
132, 133	Cabin	veneer 0,6mm	1pc.
134	Cabin	veneer 0,6mm	2pcs.
135	Cabin	veneer 0,6mm	1pc.
136-141	Cabin	veneer 0,6mm	1pc.
142	Cabin	veneer 0,6mm	2pcs.
143, 144	Cabin	veneer 0,6mm	1pc.
145	Windows	photoetched part	10pcs.
146	Bell	resin part	1pc.
147	Rigging 0,5mm hell	rope 0,5mm hell	10m
148	Bell	wire 0,5mm	1m

149	Cabin	veneer 0,6mm	2pcs.
150, 151	Hatches	plywood 0,8mm	1pc.
152	Hatches	plywood 0,8mm	2pcs.
153	Hatches	plywood 0,8mm	1pc.
154	Hatches	veneer 0,6mm	2pcs.
155-158	Hatches	veneer 0,6mm	1pc.
159	Hatches	veneer 0,6mm	2pcs.
160	Hatches	veneer 0,6mm	1pc.
161-163	Hatches	veneer 0,6mm	2pcs.
164	Hatches	veneer 0,6mm	1pc.
165	Hatches	photoetched part	4pcs.
166, 167	Box	plywood 0,8mm	2pcs.
168	Box	plywood 0,8mm	1pc.
169	Box	veneer 0,6mm	2pcs.
170-173	Box	veneer 0,6mm	1pc.
174	Box	veneer 0,6mm	2pcs.
175	Box	veneer 0,6mm	1pc.
176	Box	veneer 0,6mm	2pcs.
177	Skylights	plywood 0,8mm	2pcs.
178-180	Skylights	plywood 0,8mm	1pc.
181	Skylights	plywood 0,8mm	2pcs.
182, 183	Skylights	veneer 0,6mm	1pc.
184, 185	Skylights	veneer 0,6mm	2pcs.
186	Skylights	veneer 0,6mm	1pc.
187	Skylights	photoetched part	4pcs.
188, 189	Hatches	plywood 0,8mm	1pc.
190	Hatches	plywood 0,8mm	2pcs.
191	Hatches	plywood 0,8mm	1pc.
192	Hatches	veneer 0,6mm	2pcs.
193-196	Hatches	veneer 0,6mm	1pc.
197	Hatches	veneer 0,6mm	2pcs.
198	Hatches	veneer 0,6mm	1pc.
199-201	Hatches	veneer 0,6mm	2pcs.
202	Hatches	veneer 0,6mm	1pc.
203, 204	Skylights	plywood 0,8mm	2pcs.
205, 206	Skylights	veneer 0,6mm	2pcs.
207	Skylights	veneer 0,6mm	2pcs.
208, 209	Skylights	plywood 0,8mm	2pcs.
210, 211	Skylights	veneer 0,6mm	2pcs.
212	Skylights	veneer 0,6mm	2pcs.
213	Box	plywood 0,8mm	2pcs.
214-217	Box	plywood 0,8mm	1pc.
218	Box	veneer 0,6mm	1pc.
219,220	Box	veneer 0,6mm	2pcs.
221, 222	Box	veneer 0,6mm	1pc.
223	Box	veneer 0,6mm	3pcs.
224	Box	veneer 0,6mm	2pcs.
225, 226	Box	veneer 0,6mm	1pc.
227	Superstructures	plywood 0,8mm	1pc.
228, 229	Superstructures	plywood 0,8mm	1pc.

230, 231	Superstructures	plywood 0,8mm	2pcs.
232	Superstructures	veneer 0,6mm	1pc.
233, 234	Superstructures	veneer 0,6mm	2pcs.
235, 236	Superstructures	veneer 0,6mm	1pc.
237	Superstructures	plywood 0,8mm	2pcs.
238, 239	Superstructures	veneer 0,6mm	2pcs.
240	Superstructures	veneer 0,6mm	1pc.
241	Box	plywood 0,8mm	1pc.
242, 243	Box	plywood 0,8mm	2pcs.
244, 245	Box	veneer 0,6mm	2pcs.
246, 247	Box	photoetched part	2pcs.
248-251	Skylights	plywood 0,8mm	2pcs.
252a	Cabin	veneer 0,6mm	2pcs.
252b	Cabin	veneer 0,6mm	2pcs.
253-256	Skylights	veneer 0,6mm	2pcs.
257	Skylights	veneer 0,6mm	4pcs.
258-262	Cabin	plywood 0,8mm	1pc.
263, 264	Cabin	plywood 0,8mm	2pcs.
265-267	Cabin	veneer 0,6mm	1pc.
268	Cabin	veneer 0,6mm	2pcs.
269, 270	Cabin	veneer 0,6mm	1pc.
271, 272	Cabin	veneer 0,6mm	2pcs.
273	Cabin	veneer 0,6mm	1pc.
274	Cabin	veneer 0,6mm	4pcs.
275	Cabin	plywood 0,8mm	4pcs.
276	Cabin	veneer 0,6mm	1pc.
277	Cabin	veneer 0,6mm	2pcs.
278, 279	Cabin	plywood 0,8mm	2pcs.
280	Cabin	plywood 0,8mm	4pcs.
281	Cabin	veneer 0,6mm	4pcs.
282, 283	Cabin	veneer 0,6mm	2pcs.
284	Cabin	plywood 0,8mm	2pcs.
285-287	Cabin	plywood 0,8mm	1pc.
288-290	Cabin	veneer 0,6mm	1pc.
291	Cabin	veneer 0,6mm	2pcs.
292-295	Cabin	veneer 0,6mm	1pc.
296	Cabin	photoetched part	1pc.
297-301	Cabin	plywood 0,8mm	1pc.
302a-e	Cabin	photoetched part	1pc.
303	Cabin	veneer 0,6mm	1pc.
304	Cabin	veneer 0,6mm	1pc.
305-307	Cabin	veneer 0,6mm	1pc.
308	Cabin	veneer 0,6mm	2pcs.
309	Cabin	plywood 0,8mm	2pcs.
310, 311	Cabin	plywood 0,8mm	1pc.
312	Cabin	veneer 0,6mm	1pc.
313	Cabin	veneer 0,6mm	2pcs.
314-316	Cabin	veneer 0,6mm	1pc.
317	Cabin	photoetched part	1pc.
318, 319	Cabin	veneer 0,6mm	2pcs.

320	Cabin	veneer 0,6mm	2pcs.
321	Cabin	veneer 0,6mm	6pcs.
322	Cabin	dowel 4mm	3pcs.
323, 324	Cabin	photoetched part	2pcs.
325	Cabin	plywood 0,8mm	2pcs.
326-329	Cabin	plywood 0,8mm	1pc.
330	Cabin	wood 1,5mm	1pc.
331-333	Cabin	wood 1,5mm	2pcs.
334	Cabin	wood 1,5mm	1pc.
335	Cabin	veneer 0,6mm	3pcs.
336	Cabin	photoetched part	6pcs.
337	Cabin	dowel 6mm	2pcs.
338	Cabin	wood 2mm	2pcs.
339	Cabin	veneer 0,6mm	2pcs.
340	Cabin	veneer 0,6mm	4pcs.
341	Cabin	veneer 0,6mm	2pcs.
342	Cabin	plywood 0,8mm	2pcs.
343, 344	Cabin	photoetched part	1pc.
345, 346	Box	plywood 0,8mm	2pcs.
347	Box	plywood 0,8mm	1pc.
348	Box	veneer 0,6mm	1pc.
349, 350	Box	veneer 0,6mm	2pcs.
351-353	Box	veneer 0,6mm	1pc.
354	Box	veneer 0,6mm	2pcs.
355, 356	Box	plywood 0,8mm	1pc.
357	Box	plywood 0,8mm	2pcs.
358	Box	plywood 0,8mm	1pc.
359	Box	veneer 0,6mm	1pc.
360	Box	veneer 0,6mm	2pcs.
361,362	Box	veneer 0,6mm	1pc.
363	Box	veneer 0,6mm	2pcs.
364	Box	veneer 0,6mm	1pc.
365	Containers	resin part	2pcs.
366	Containers	resin part	12pcs.
367	Containers	resin part	4pcs.
368-370	Chimney	resin part	1pc.
371	Chimney	resin part	4pcs.
372	Windlass	wire 0,5mm	1m
373-375	Windlass	resin part	1pc.
376	Windlass	dowel 3mm	1pc.
377	Windlass	plywood 0,8mm	2pcs.
378	Windlass	resin part	1pc.
379-381	Windlass	plywood 0,8mm	2pcs.
382	Windlass	wire 0,5mm	1m
383	Windlass	resin part	2pcs.
384	Anchor	resin part	2pcs.
385	Anchor	wire 1mm	15cm
386	Anchor	photoetched part	4pcs.
387	Anchor	wire 0,5mm	1m
388, 389	Windlass	plywood 0,8mm	2pcs.

390	Windlass	plywood 0,8mm	1pc.
391	Windlass	resin part	1pc.
392	Windlass	resin part	2pcs.
393	Windlass	resin part	1pc.
394	Windlass	photoetched part	4pcs.
395	Windlass	wire 0,5mm	1m
396, 397	Boat	resin part	1pc.
398	Rigging 0,25mm hell	rope 0,25mm hell	40m
399	Boat	paper strip	---
400	Boat	resin part	1pc.
401	Boat	photoetched part	1pc.
402	Boat	resin part	1pc.
403a	Flagpole	dowel 2mm	1pc.
403b	Flagpole	dowel 3mm	1pc.
404a, b	Fairlead	wood 2mm	4pcs.
405	Eyebolt	eyebolt	65pcs.
406	Railings	resin part	14pcs.
407	Bollards	resin part	6pcs.
408	Cleats	veneer 0,6mm	2pcs.
409	Bowsprit	dowel 8mm	1pc.
410	Pin rails	plywood 0,8mm	1pc.
411, 412	Pin rails	plywood 0,8mm	2pcs.
413	Belaying pin	belaying pin	47pcs.
414	Cleats	veneer 0,6mm	10pcs.
415	Life belts	resin part	2pcs.
416	Life belts	photoetched part	2pcs.
417	Fire extinguisher	resin part	1pc.
418	Life belt	resin part	1pc.
419	Light	resin part	1pc.
420	Device	resin part	1pc.
421	Reinforcements	wood 1,5mm	2pcs.
422	Glazing	transparent foil	1pc.
423	Stand	plywood 4mm	2pcs.
424, 425	Stand	plywood 4mm	1pc.
426	Block 3mm-1	block 3mm-1hole	35pcs.
427, 428	Davits	resin part	2pcs.
429	Hook	wire 0,5mm	1m
430	Mast feet	wood 1,5mm	2pcs.
431	Fittings	photoetched part	2pcs.
432	Fittings	photoetched part	3pcs.
433	Main mast	dowel 8mm	2pcs.
434	Fore mast	dowel 8mm	2pcs.
435	Cleats	wood 1,5mm	10pcs.
436	Cleat	wood 1,5mm	1pc.
437	Cheeks	wood 1,5mm	4s
438	Crosstrees	wood 2mm	4s
439, 440	Crosstrees	wood 3mm	2s
441	Fittings	photoetched part	1pc.
442	Main topmast	dowel 6mm	2pcs.
443	Fore topmast	dowel 6mm	2pcs.

444	Truck	dowel 4mm	3pcs.
445	Stopper	veneer 0,6mm	1pc.
446	Fittings	photoetched part	2pcs.
447	Main mast gaff	dowel 4mm	3pcs.
448	Fore mast gaff	dowel 4mm	3pcs.
449, 450	Gaff	wood 2mm	1pc.
451	Gaff	veneer 0,6mm	2pcs.
452	Main mast boom	dowel 5mm	2pcs.
453	Fore mast boom	dowel 4mm	3pcs.
454	Boom	veneer 0,6mm	3pcs.
455	Boom	veneer 0,6mm	1pc.
456	Boom	veneer 0,6mm	3pcs.
457	Boom	veneer 0,6mm	1pc.
458	Fittings	photoetched part	4pcs.
459	Fittings	photoetched part	2pcs.
460	Boom	wire 1mm	15cm
461	Fittings	photoetched part	4pcs.
462, 463	Yard	dowel 3mm	1pc.
464	Fittings	photoetched part	2pcs.
465	Fittings	photoetched part	4pcs.
466	Yard	dowel 5mm	2pcs.
467	Yard	plywood 0,8mm	1pc.
468	Yard	wood 2mm	1pc.
469	Chain 1,5mm	chain 1,5mm	50cm
470	Top	wood 1,5mm	2pcs.
471	Fittings	photoetched part	2pcs.
472-474	Navigation lamps	veneer 0,6mm	2pcs.
475	Navigation lamps	resin part	2pcs.
476	Poles	veneer 0,6mm	2pcs.
477	Rigging 0,25mm dark	rope 0,25mm dark	10m
478	Rigging 0,5mm dark	rope 0,5mm dark	20m
479	Pole	wire 0,5mm	1m
480	Pole	resin part	1pc.
481	Fittings	photoetched part	1pc.
482	Block deadeyes 2,5mm	block deadeyes 2,5mm	32pcs.
483	Hooks	wire 0,5mm	1m
484	Reinforcements	wire 0,5mm	1m
485	Chain 2mm	chain 2mm	25cm
486	Block deadeyes 3,5mm	block deadeyes 3,5mm	24pcs.
487	Block 3mm-2holes	block 3mm-2holes	12pcs.
488	Block 5mm-1hole	block 5mm-1hole	4pcs.
489	Block 5mm-2 holes	block 5mm-2 holes	6pcs.
490	Block 5mm-3 holes	block 5mm-3 holes	6pcs.
491	Flag	flag	1pc.
492	Block 2mm-1hole	block 2mm-1hole	40pcs.
493	Ring 2mm	ring 2mm	25pcs.
494-502	Sail	cloth	1pc.
503	Hoops	plywood 1,5mm	22pcs.
504	Hoops	plywood 1,5mm	3pcs.