

ACADEMY
MINICRAFT
MODEL KITS

GENERAL DYNAMICS

EF-111A

RAVEN
ELECTRIC FOX
1/48TH SCALE





THE EF-111A ELECTRONIC COUNTERMEASURES AIRCRAFT

The result of teamwork between Grumman and General Dynamics, each EA-111A starts life as an F-111A that is stripped to its bare frame and rebuilt by Grumman into a highly sophisticated Electronic Countermeasures airplane. When the Air Force belatedly realized that they required an aircraft that would do what the Navy's EA-6B was already doing, it was fortunate that the tactical jamming system of the EA-6B could be mated with the F-111A airframe. The net result was the rather rapid development of the EF111A a plane with superior speed and range.

Entering service in 1982, the EF-111A's have not yet been battle-tested, but constant training has kept this important weapons system ready for immediate use at any time or place.

Powered by the TF30-P-3 Pratt & Whitney turbofans, producing 18,500 pounds of thrust, the flight characteristics are remarkably similar to the F-111A loaded with 6,000 pounds of bombs.

As the EF-111A airframe is basically that of the F-111A, the inlets are the original triple-plough I with splitter plate. The ECM equipment is housed on a pallet in the weapons bay, in the under-belly canoe and the massive rudder. Unlike the EA-6B which relies on wind-driven generators for its power requirements, the EF-111A uses 90 Kva engine driven generators.

Despite its electronic complexity, the EF-111A has proven to be more reliable than its predecessor, requiring only 20 man-hours of service per hour of flight.

It is planned that the Electric Fox will be operational with the Air Force until the year 2010.



Cement Parts
Coller
Kleben
Pegar
Incollare
Cetar
Kleven



DO NOT cement
Ne pas coller
Nicht kleben
No pegar
Non incollare
Nao colar
Niet kleven



Cut away
Couper
Scheiden
Cortar
Tagliare
Cortar
Snijden



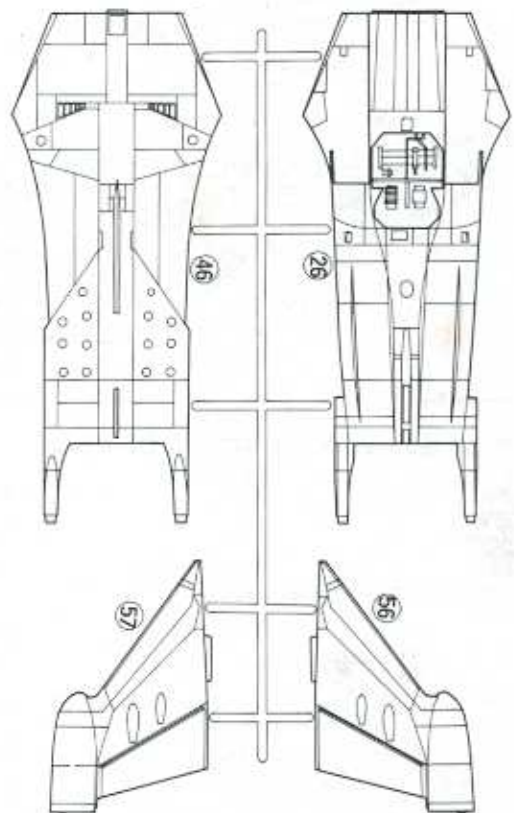
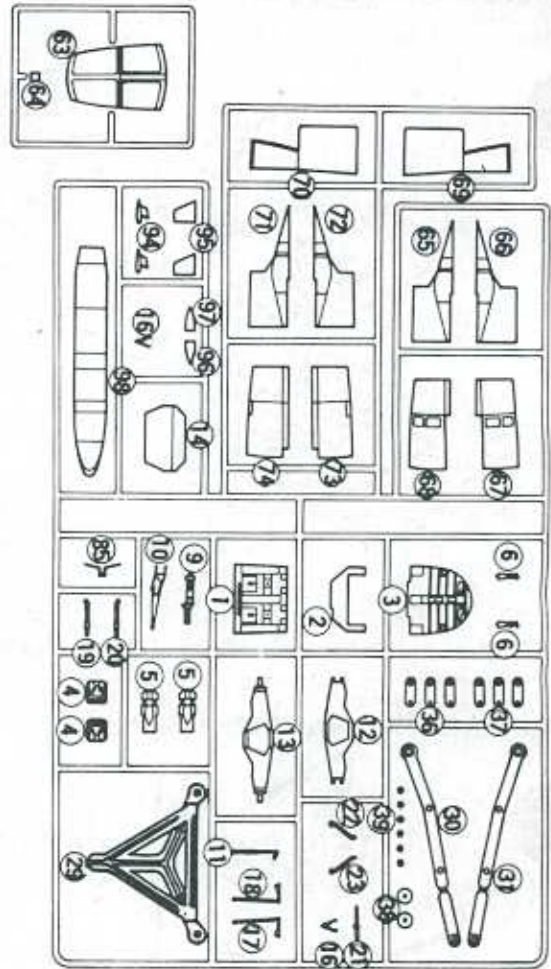
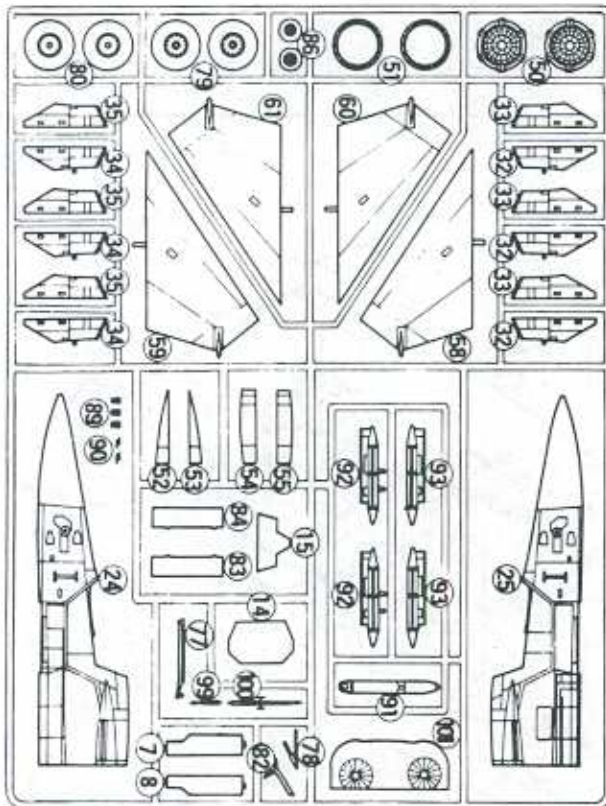
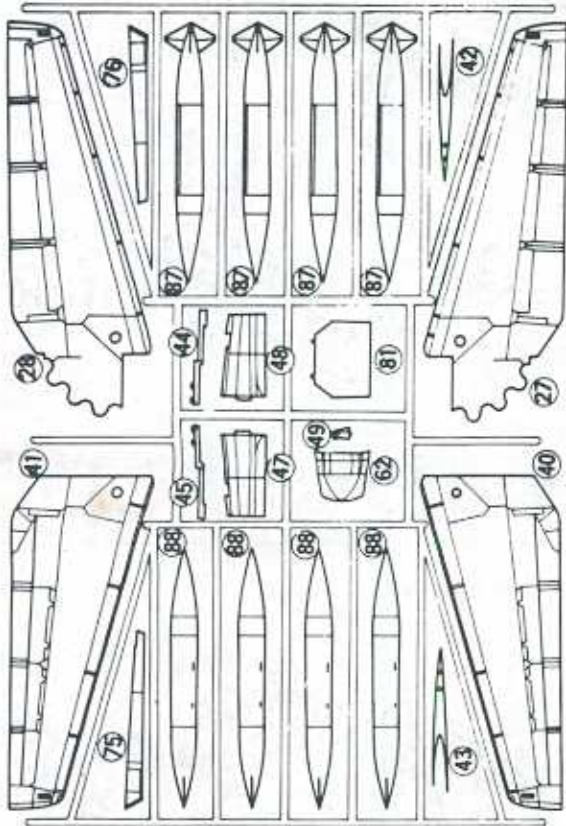
Optional parts
Choix
Auswahlmoglichkeit
Eleccion
Scelta
Opcao
Keuze



3

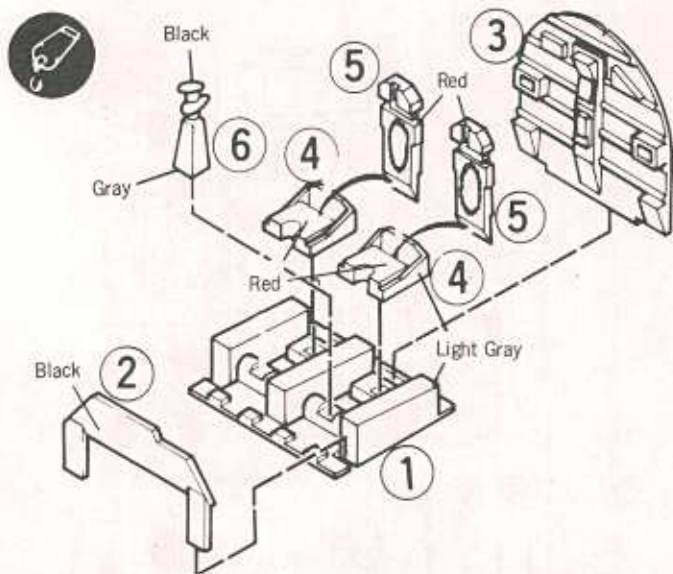
Repeat operation
Répéter l'opération
Vorgang wiederholen
Repetir la operación
Ripetere
Repitir a operação
Herhalen

Part Locator Diagram



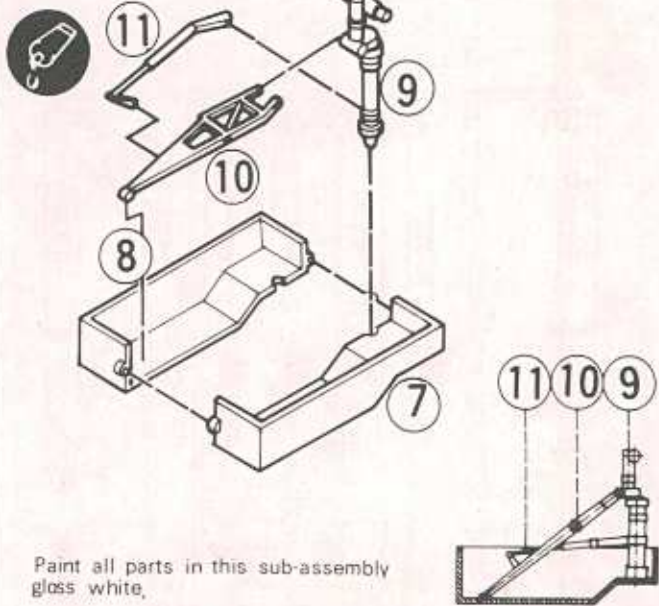
1 Cockpit sub-assembly

Before assembly, paint instrument panel flat black.



paint the bulkhead pale blue and outline instruments with silver or white.

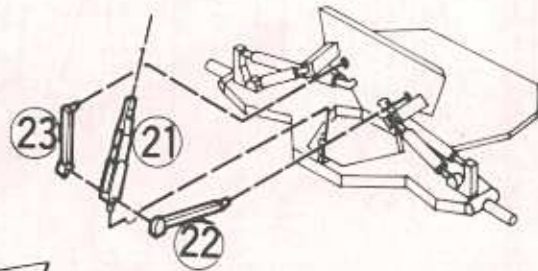
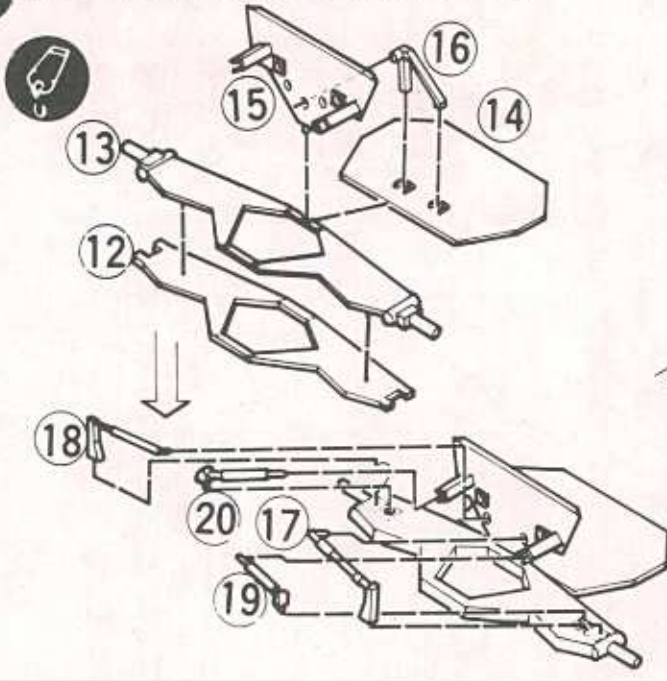
2 Front landing gear sub-assembly



Paint all parts in this sub-assembly gloss white.

3 Main landing gear sub-assembly

Paint all interior parts gloss white

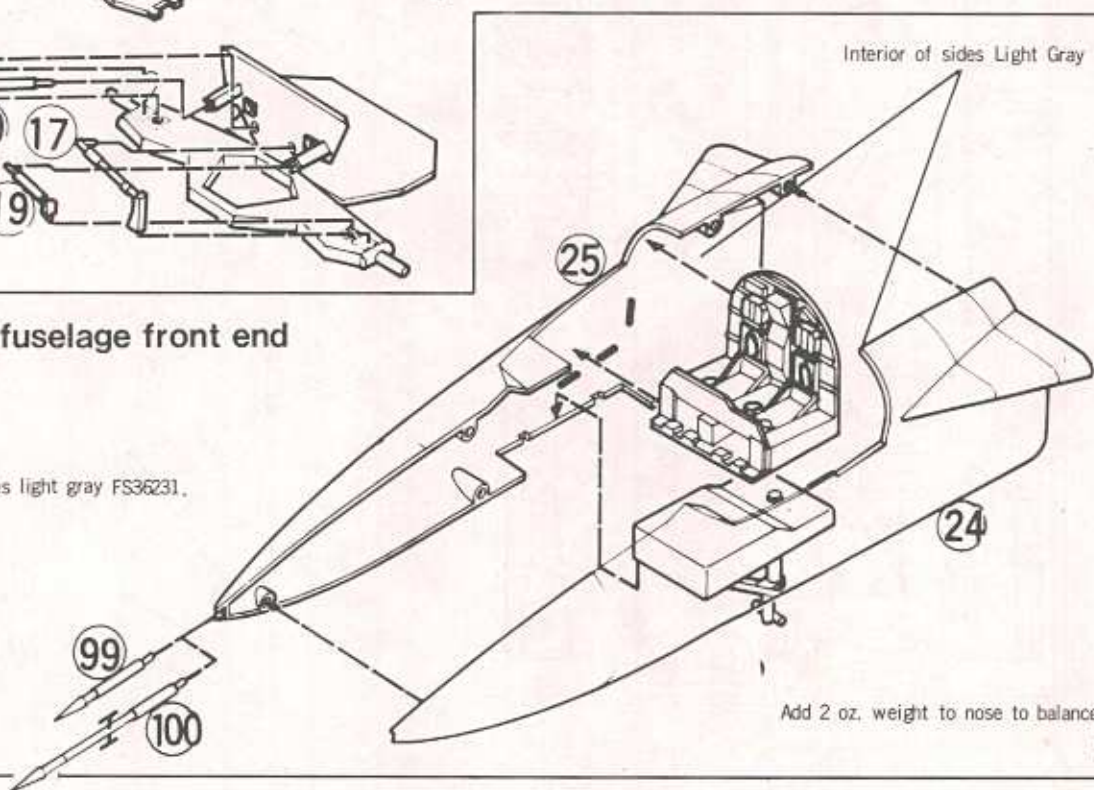


See photograph page 11.

4 Assembly of fuselage front end



Paint interior sides light gray FS36231.



Add 2 oz. weight to nose to balance.

5 Lower half wing assembly



Engage gear teeth so wing angles are equal.

6 (optional) Pylon and linkage assembly



To use outer pylons in fixed position, cut off outer sections of parts 30 and 31.

Drill out flashed-over pylon mounting holes in bottom wing half.

Apply cement very carefully to the moving parts.

Lubricating the bearing points is helpful.

Dark Green

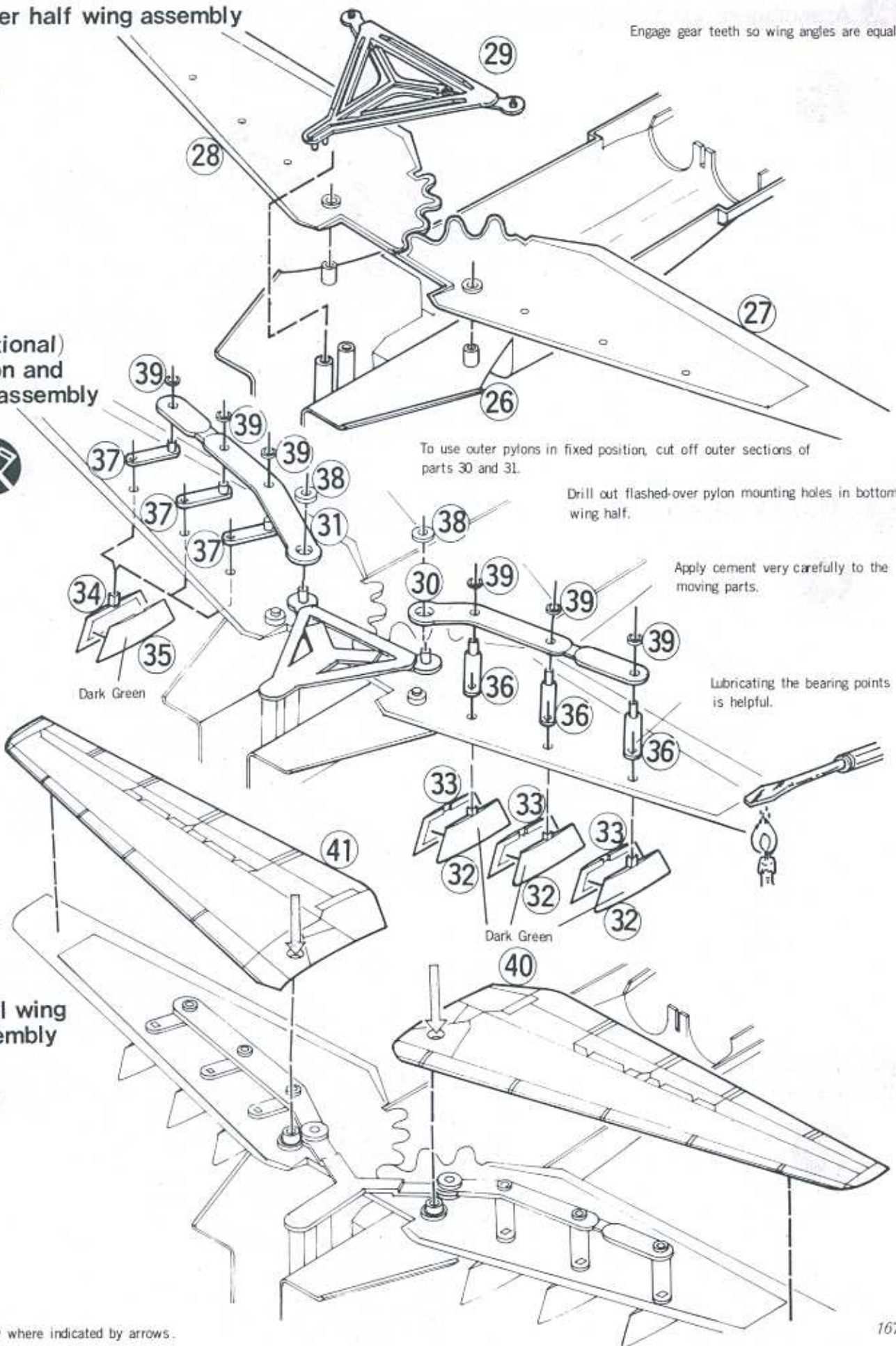
Dark Green

7 Final wing assembly

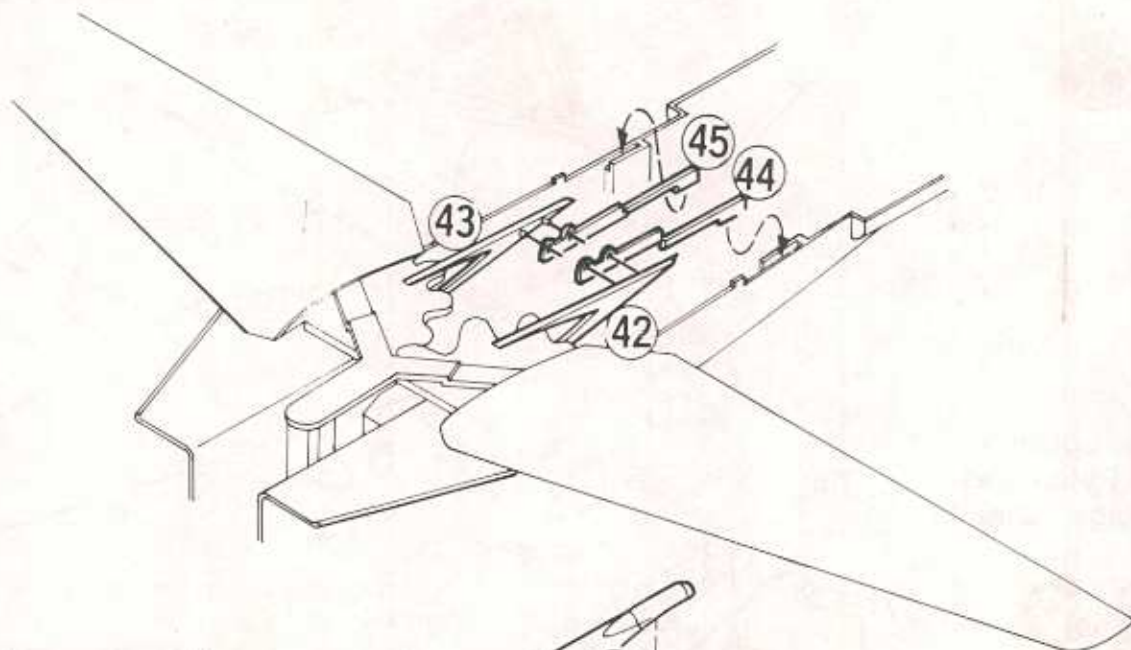


Press-fit only where indicated by arrows.

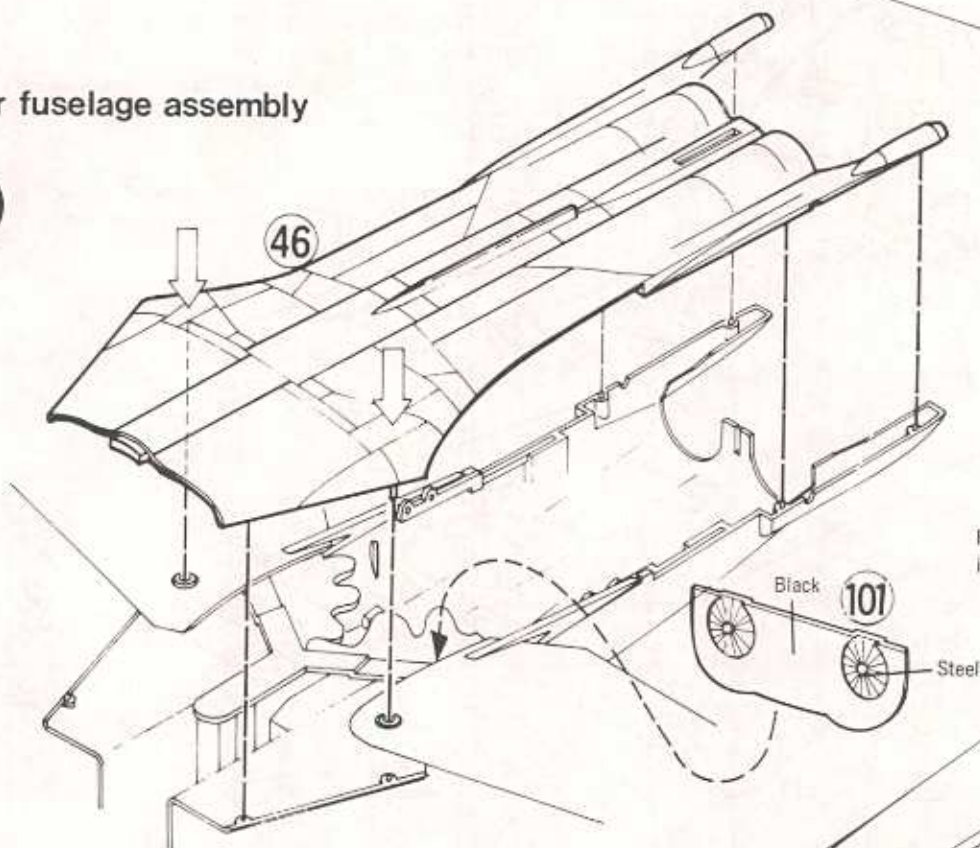
1676



8 Assembly of wing glove covers

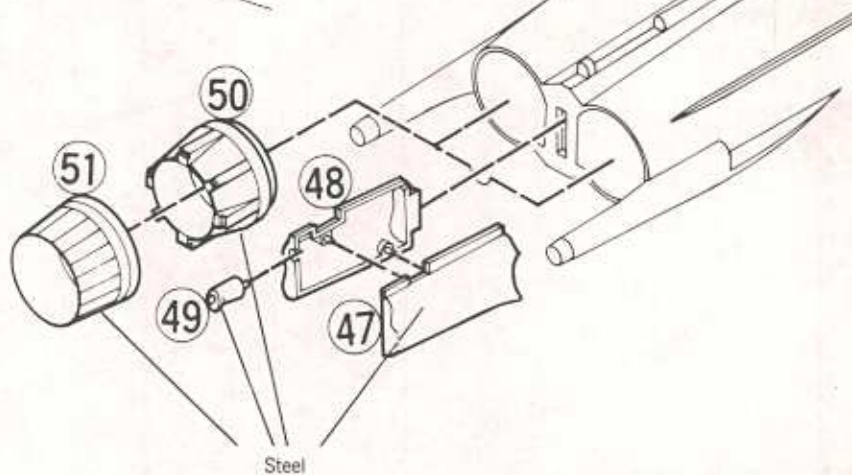


9 Upper fuselage assembly

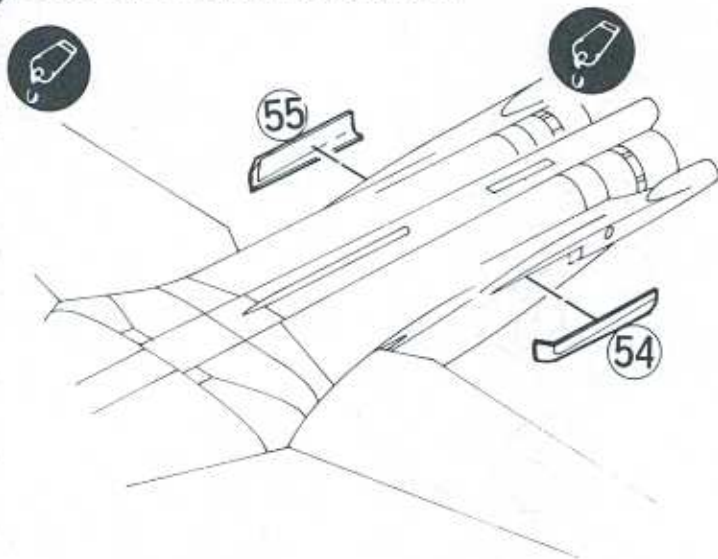


Fit part 101 tightly to point indicated or wings will bind.

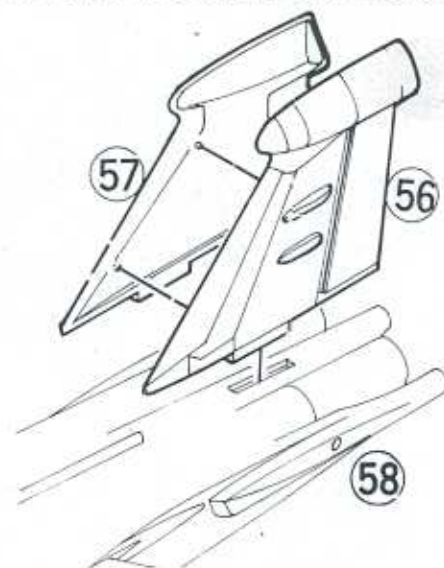
10 Exhaust cones and rear-end assembly



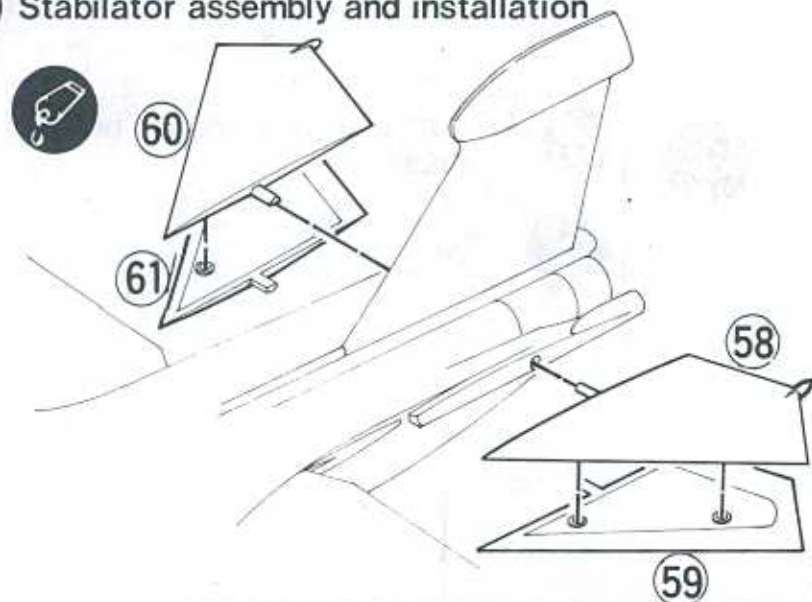
11 Stabilator fillet installation



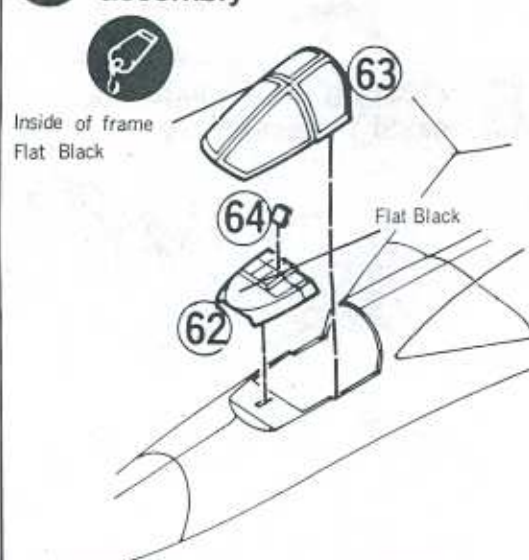
12 Rudder assembly and installation



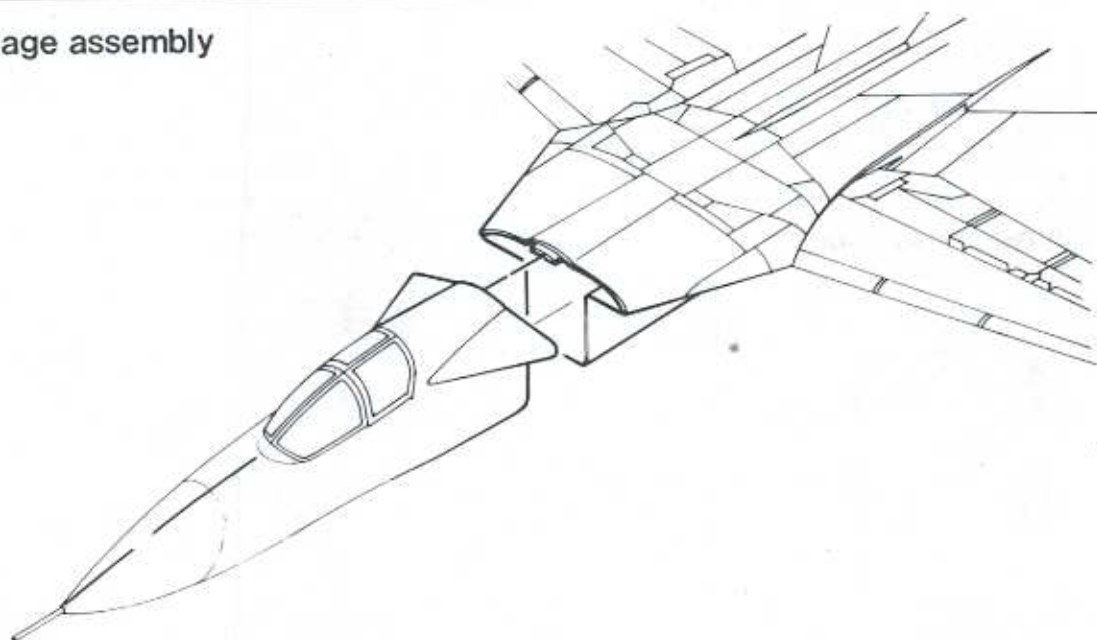
13 Stabilator assembly and installation



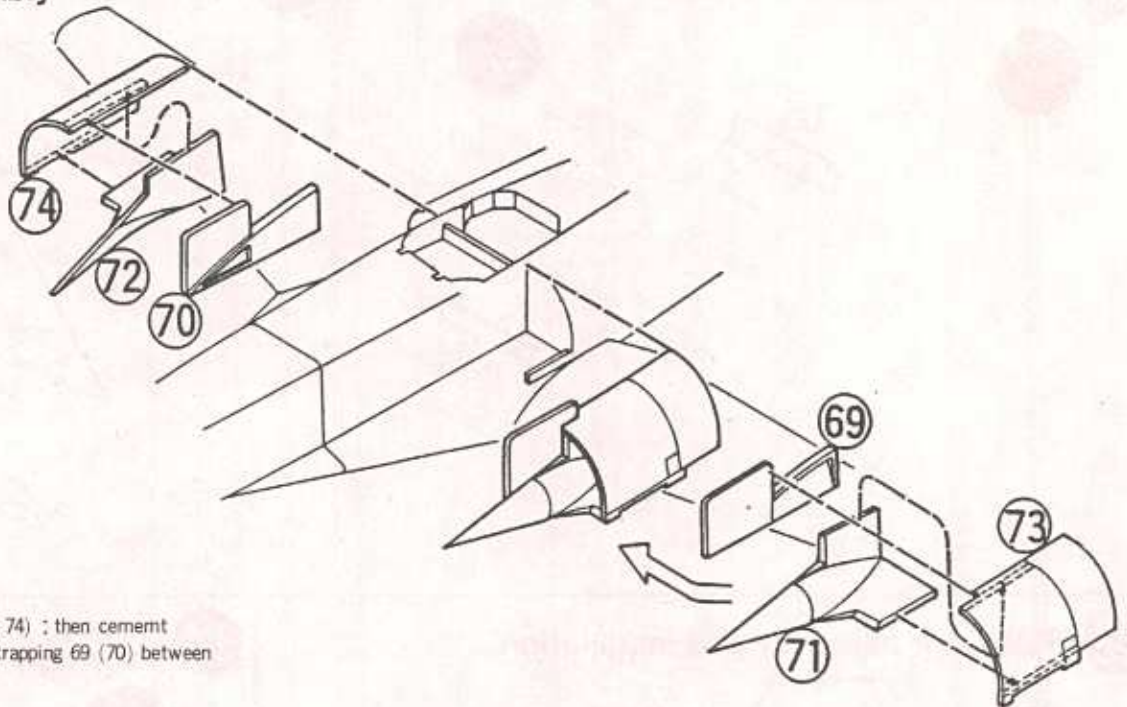
14 Canopy and hood assembly



15 Front fuselage assembly

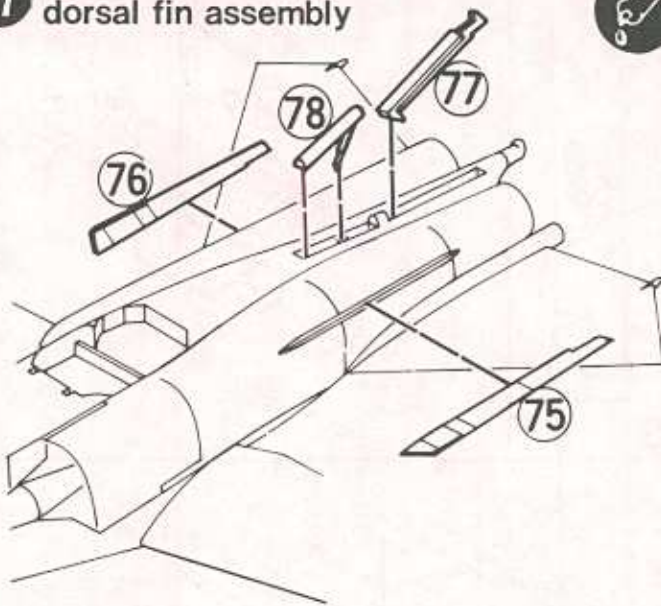


16 Intake assembly

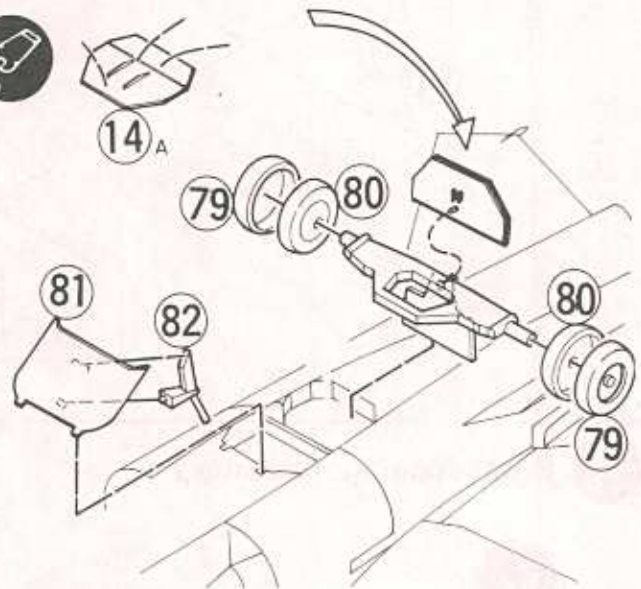


Cement 71 to 73 first (72 to 74) ; then cement sub-assemblies to fuselage trapping 69 (70) between inlet cone and fuselage.

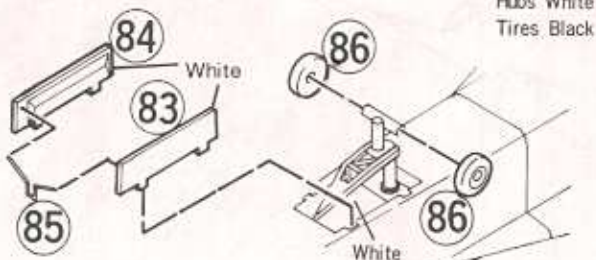
17 Arresting hook, skid and dorsal fin assembly



18 Main landing gear and air brake assembly

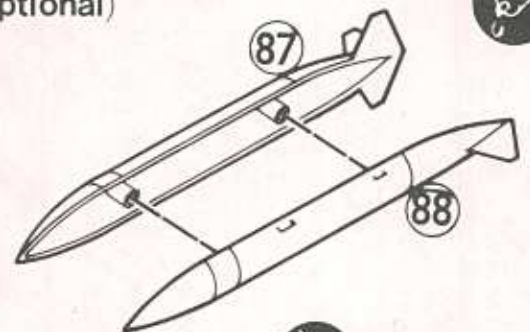


19 Front landing gear and wheel well door assembly



Inside of wheel wells White.

20 Fuel tank assembly (optional)

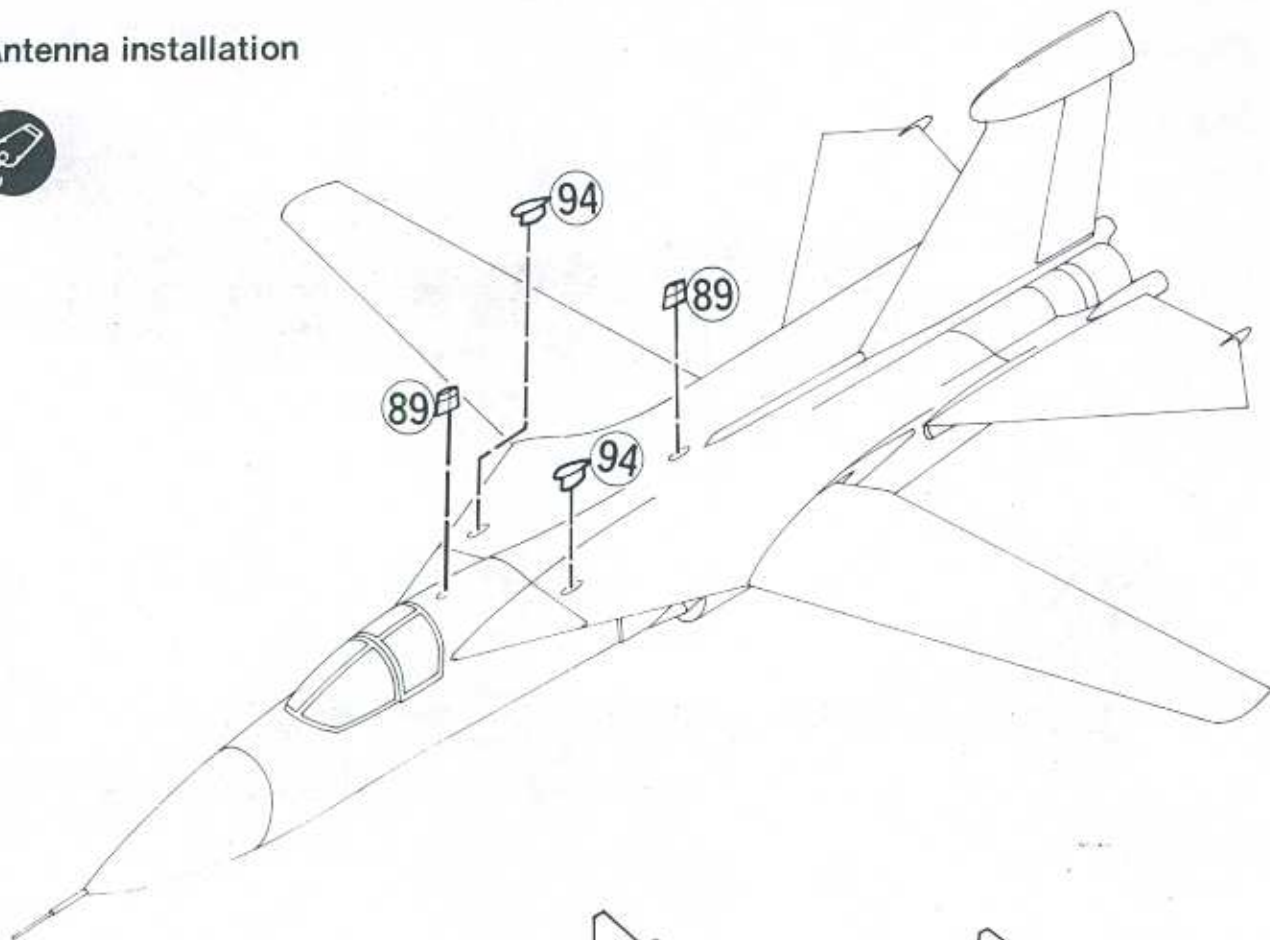


Make four tanks.

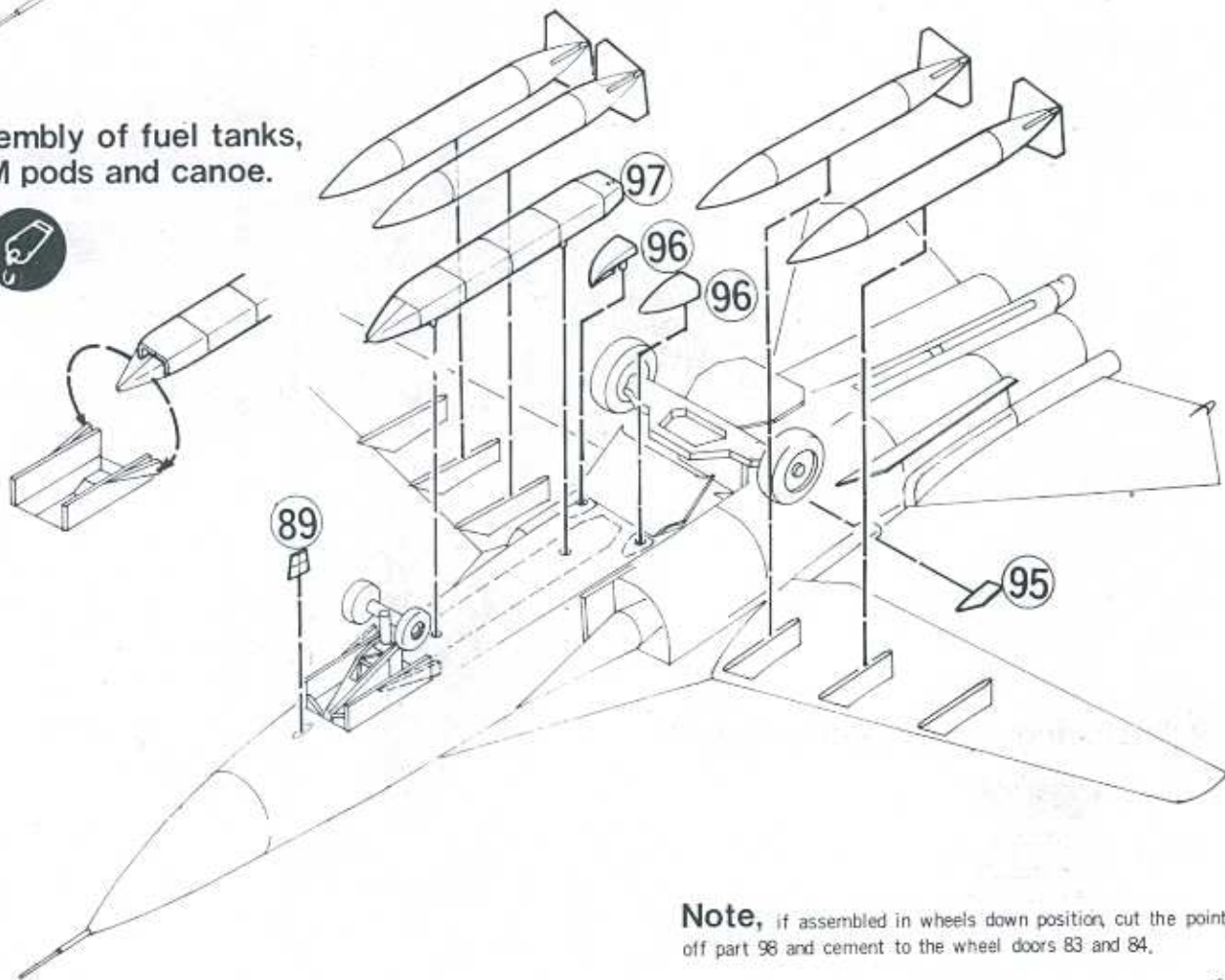


1676

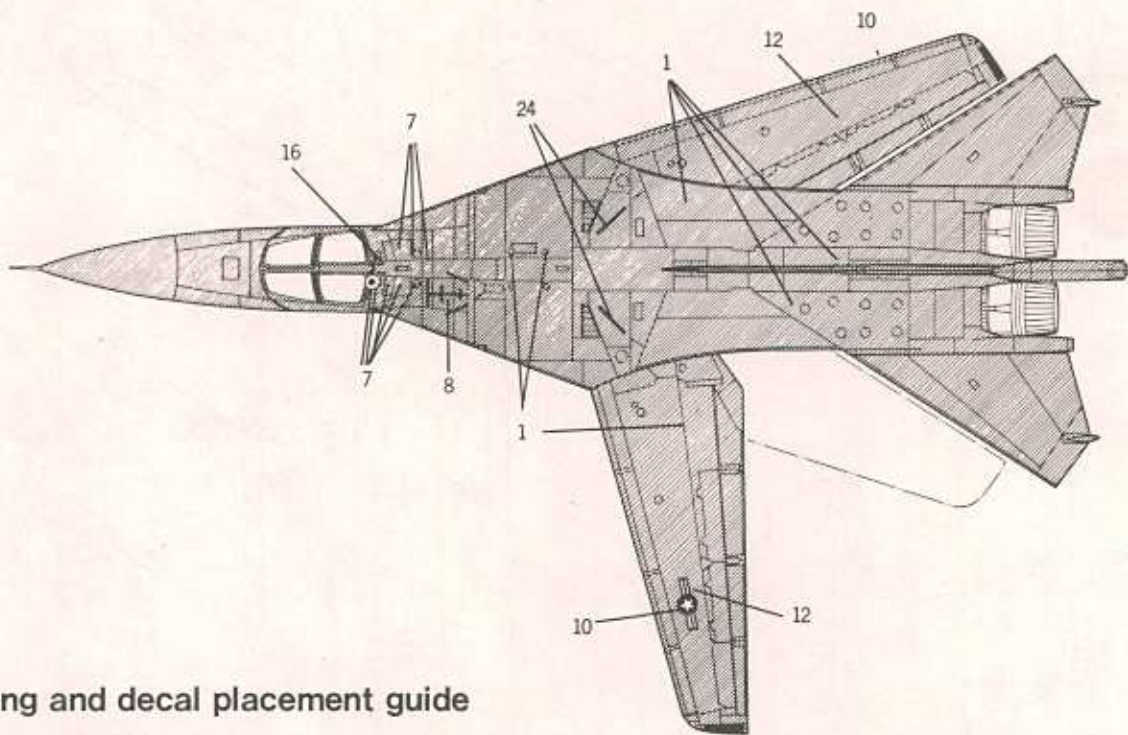
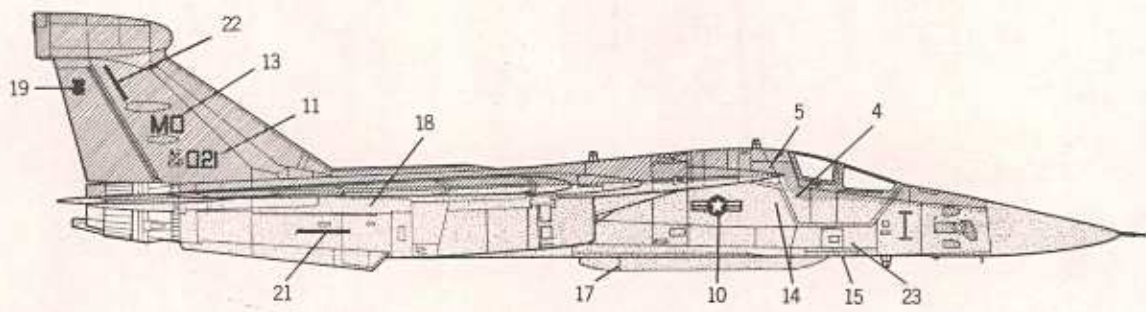
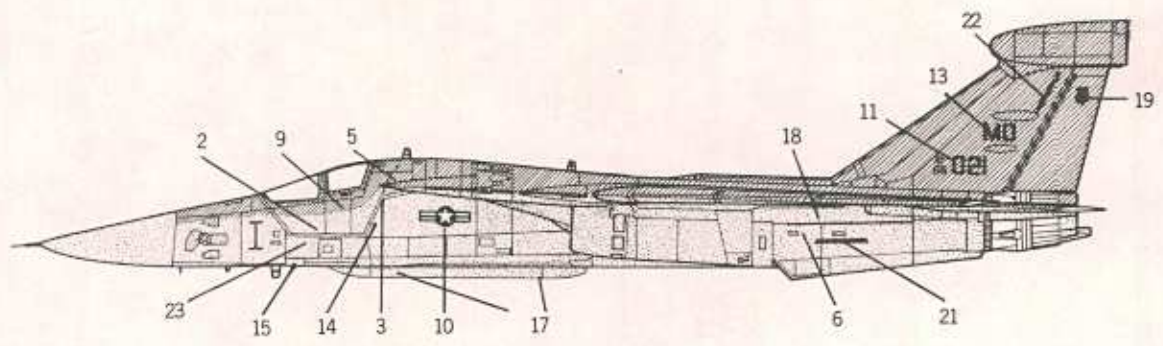
21 Antenna installation





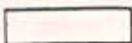
22 Assembly of fuel tanks, ECM pods and canoe.

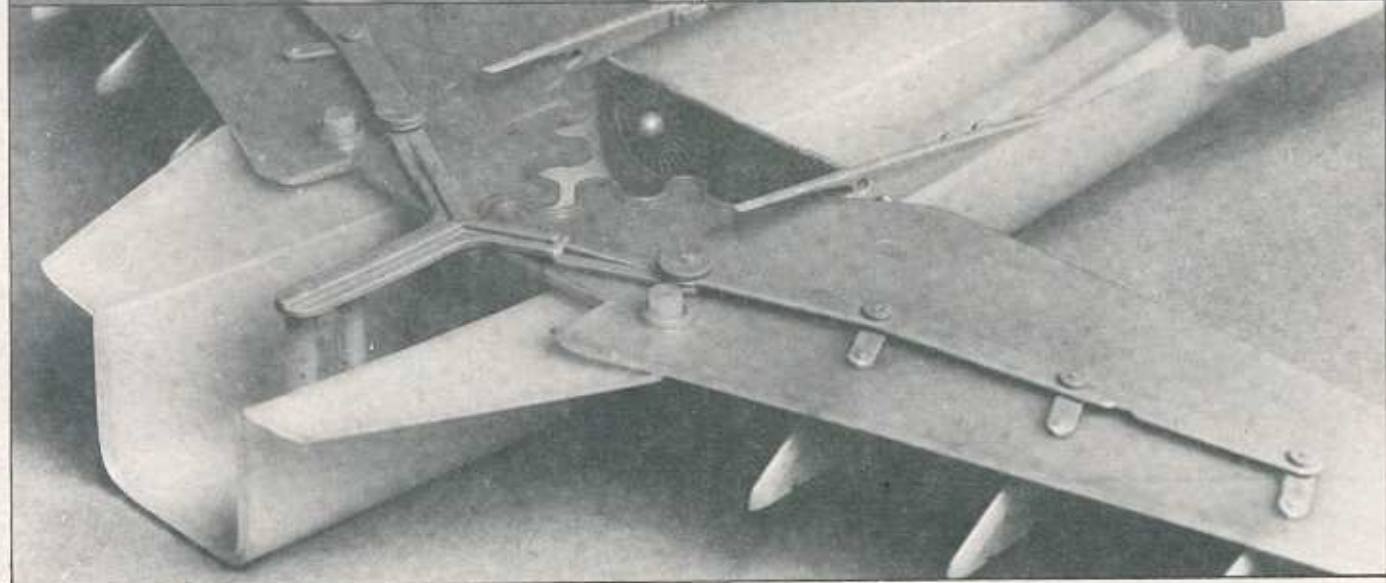
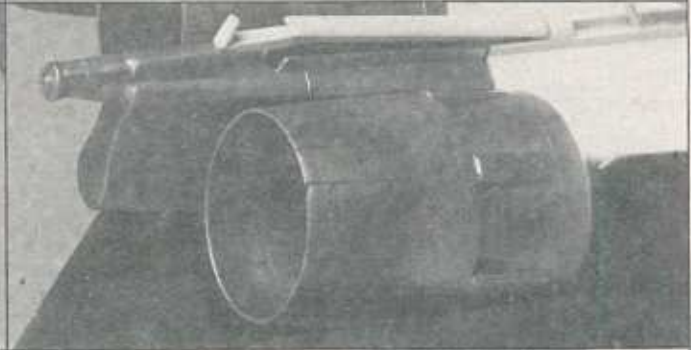
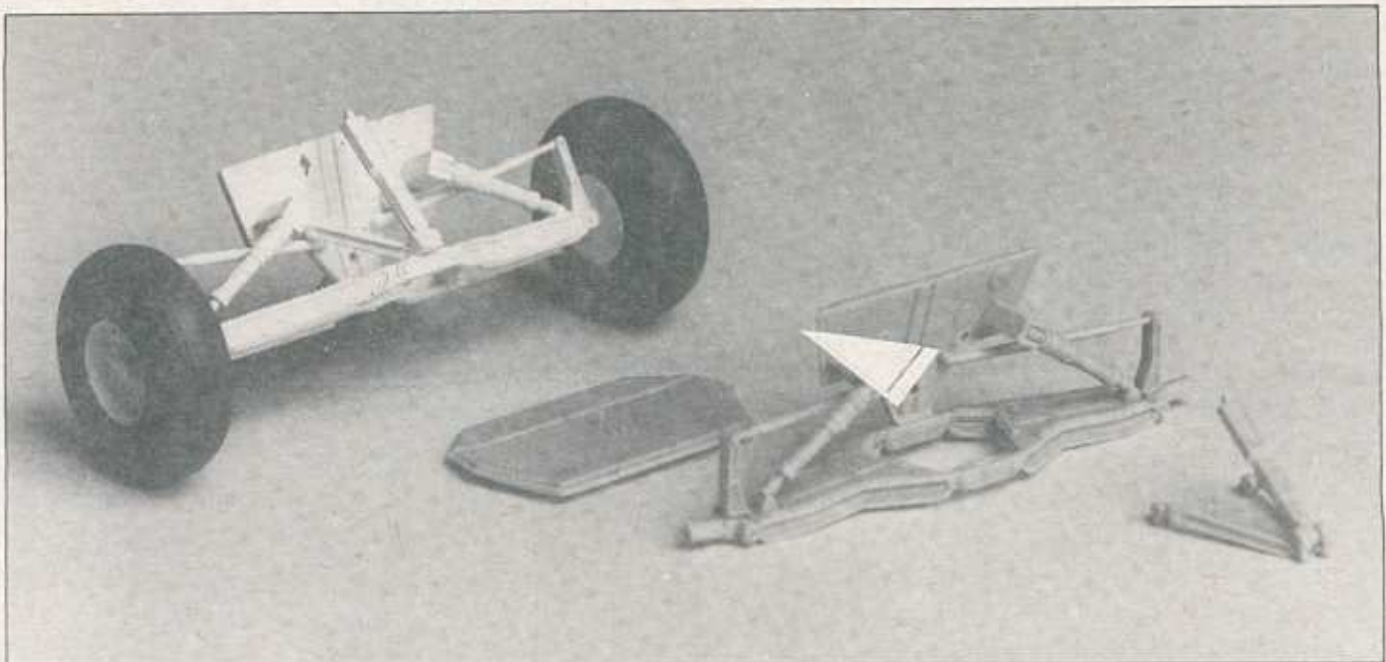


Note, if assembled in wheels down position, cut the points off part 98 and cement to the wheel doors 83 and 84.



Painting and decal placement guide

- FS36492 
- FS36320 
- White 





MINICRAFT MODELS, INC.

P.O. BOX 3577, TORRANCE, CA 90510 (213) 775-8836

1676