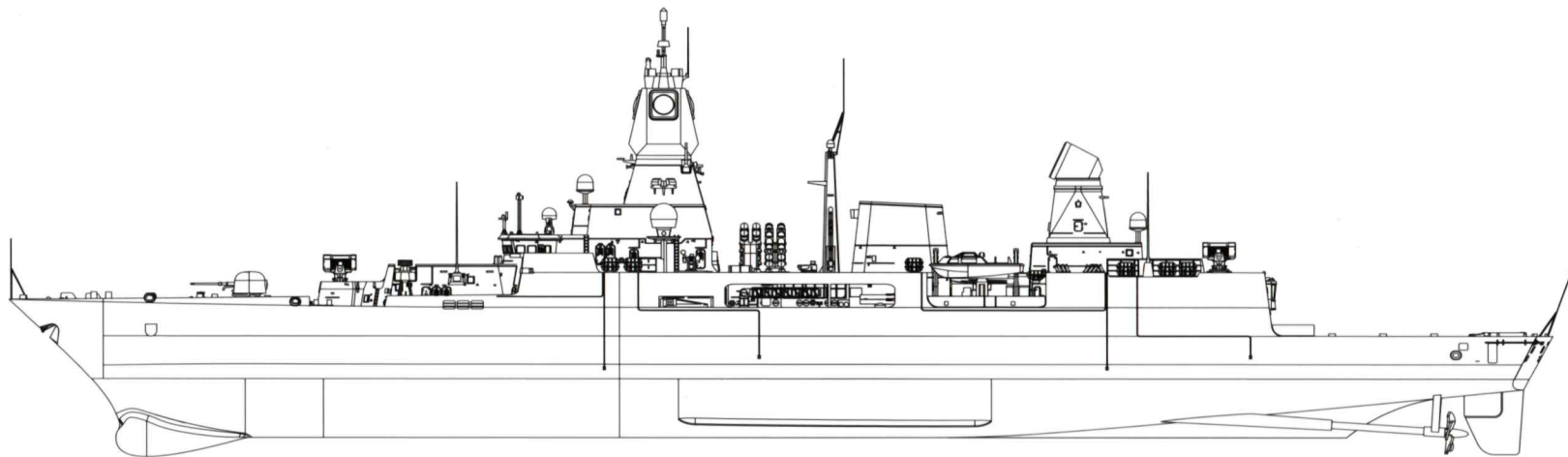


# SACHSEN-CLASS FRIGATE



The F124 Sachsen air defense frigate class consists of three ships, ordered by the German government in 1996 to replace the old Lütjens-class destroyers, and is among the most advanced air defense frigates of the German Navy. The class is based on its predecessor the F123 Brandenburg but is focused on more advanced stealth capabilities. The three frigates include the lead ship F219 Sachsen commissioned in 2003, followed by F220 Hamburg commissioned in 2004, and finally F221 Hessen commissioned in 2006.

The ships are 469 feet (143m) long, the beam is 57.2 feet (17.44m) and the draft is 16 feet (5m), with a full displacement of 5,780 tons. The ships were built using the MEKO modular construction and incorporate seven watertight compartments, allowing for easy maintenance and upgrades in the future. The frigates have a crew of 38 officers, 64 petty officers, and 140 enlisted sailors, and have accommodations for an additional 13 officers and sailors as part of a squadron commander's staff. The ships can remain at sea without resupply for 21 days at a time.

The ships of the Sachsen class are powered by a combined diesel and gas (CODAG) propulsion system. The two operating shafts work independently, each driving two five-bladed variable-pitch propellers. The General Electric LM2500 PF/MLG gas turbine is rated at 31,500 shaft horsepower and the MTU 20V 1163 TB93 diesels provide a combined 20,100 brake horsepower. The total 51,600 hp propulsion system provides a top speed of 29 knots (54 km/h; 33 mph); while operating the diesels only, the ships can cruise for 4,000 nautical miles (7,400 km; 4,600 mi) at a speed of 18 kn (33 km/h; 21 mph).

The primary anti-air weapons are the 32-cell Mk 41 Mod 10 vertical launching system, equipped with twenty-four SM-2 Block IIIA missiles and thirty-two Evolved Sea Sparrow missiles. Point-defense against cruise missiles is provided by a pair of 21-round Rolling Airframe Missile launchers. The ships are also equipped with two four-cell RGM-84 Harpoon anti-ship missile launchers. For defense against submarines, the frigates carry two triple-launchers for the 324 mm (12.8 in) MU90 Impact torpedoes. The ships also carry a variety of guns, including one dual-purpose 62-caliber 76-millimeter (3 in) gun manufactured by OTO Melara. They are also armed with two Rheinmetall 27 mm (1.1 in) MLG 27 remote-controlled autocannons in single mounts.

The primary sensors for the electronic countermeasure's role are the long-range surveillance radar SMART-L and the multi-function radar APAR. The ships are also equipped with two STN Atlas 9600-M ARPA navigation radars.

# READ BEFORE ASSEMBLY

## CAUTION

- Read carefully and fully understand the instructions before commencing assembly. A supervising adult should also read the instructions if a child assembles the model.
- When assembling this kit, tools including knives used. Extra care should be taken to avoid personal injury.
- Keep out of reach of small children. Children must not be allowed to suck any part, or pull vinyl bag over their heads.



Be Careful



Instant Glue for Metal



Optional



Drill

## PAINTS REQUIRED

Color info and profiles by Mig Jimenez

A.MIG-0014

RAL 8012  
Rotbraun

A.MIG-0032

Satin Black

A.MIG-0045

Gun Metal

A.MIG-0048

Matt Black

A.MIG-0047

White

A.MIG-0058

Grey

A.MIG-0099

Crystal Black Blue

A.MIG-0190

Old Brass

A.MIG-0210

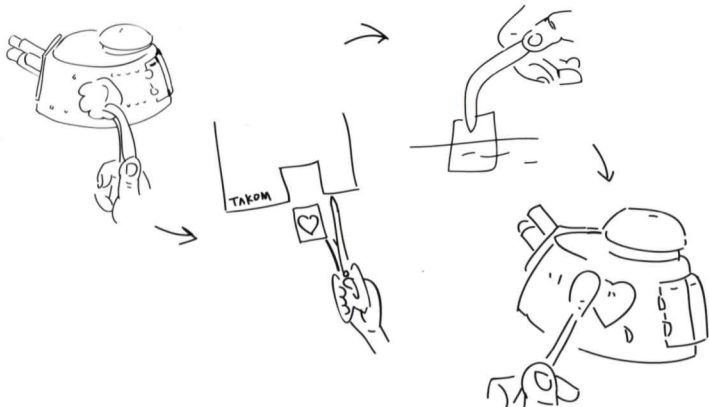
FS35237 Blue  
Gray AMT-11

A.MIG-0235

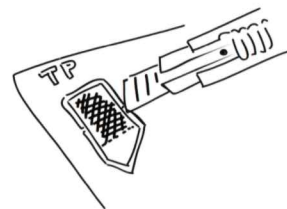
Dar Grey AMT-12

## APPLYING DECALS

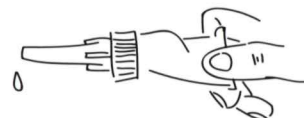
1. Clean the model surface with a wet cloth.
2. Cut out each decal design from sheet, and dip it in tepid water for 15~20 sec.
3. Hold the backing sheet edge and slide decal onto the model.
4. Move decal into position by wetting decal with finger.
5. Press decal gently down with a soft cloth until excess water and air bubbles are gone.



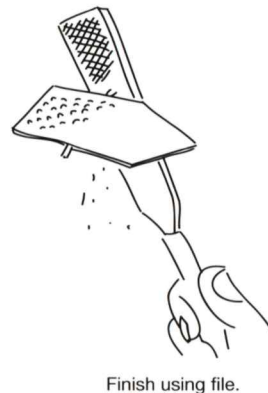
## REMOVING PE



Be careful not to hurt when removing PE parts.

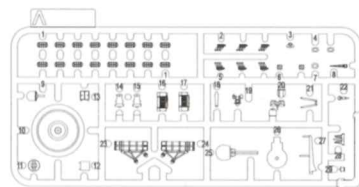
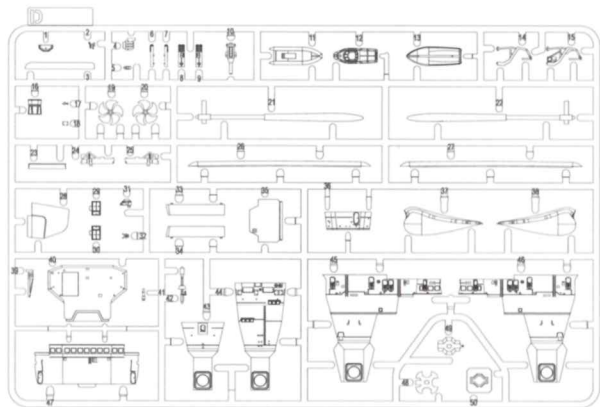
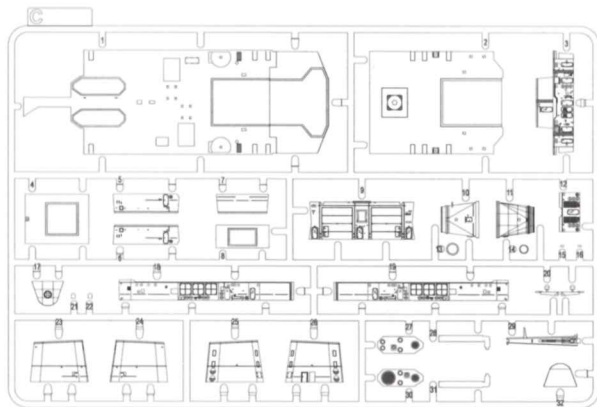
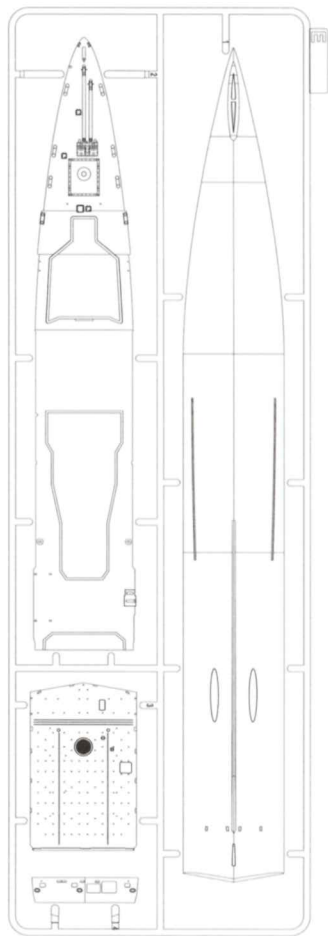
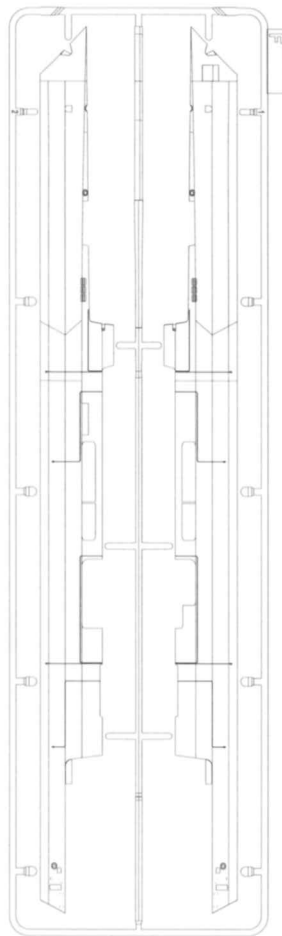


Secure using instant glue (not included).

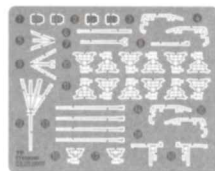
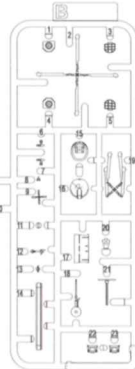
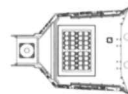
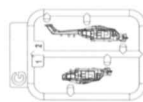


Finish using file.

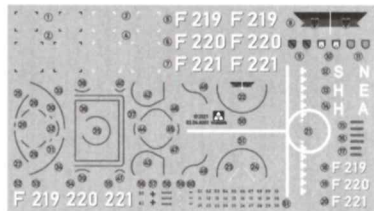
# PARTS



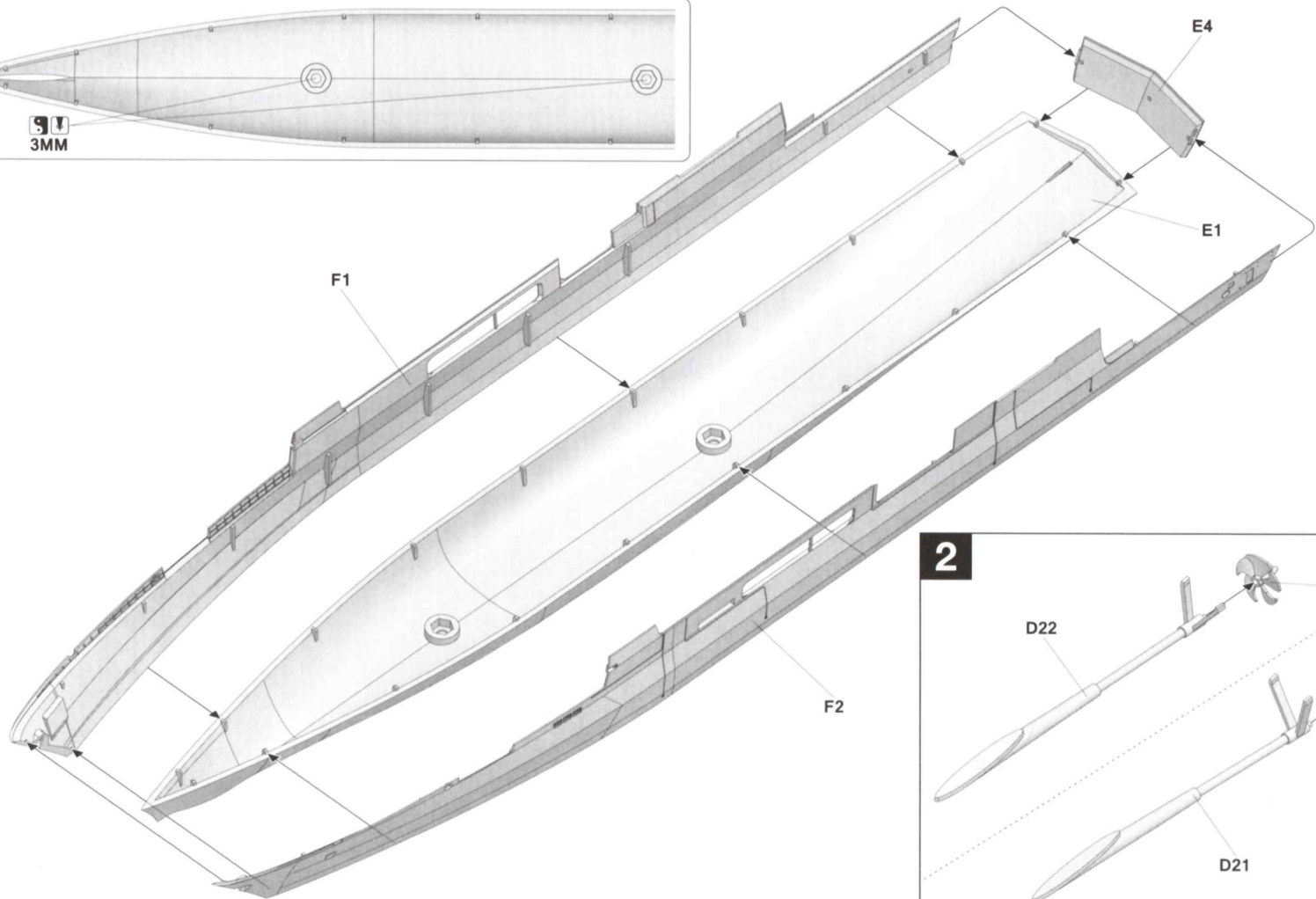
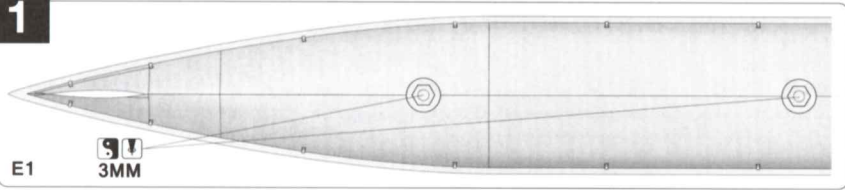
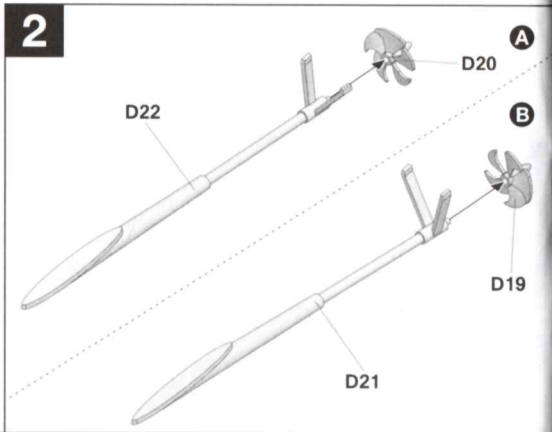
X2

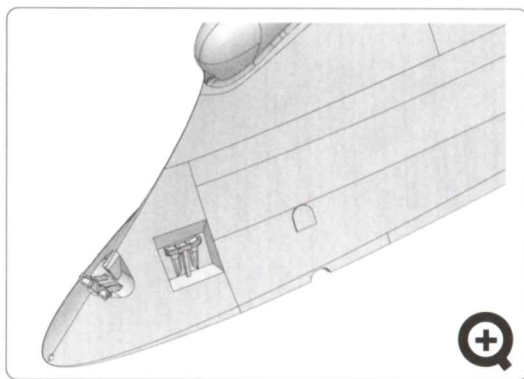
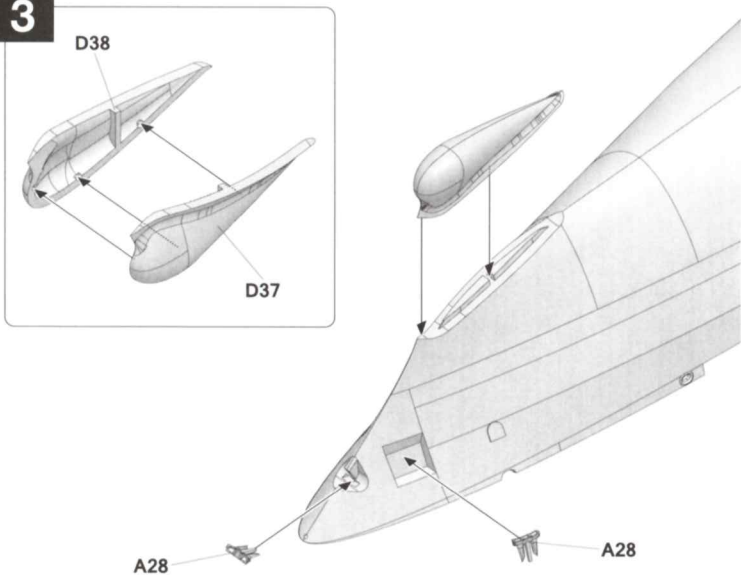
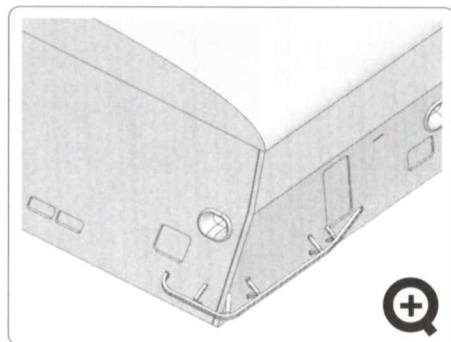
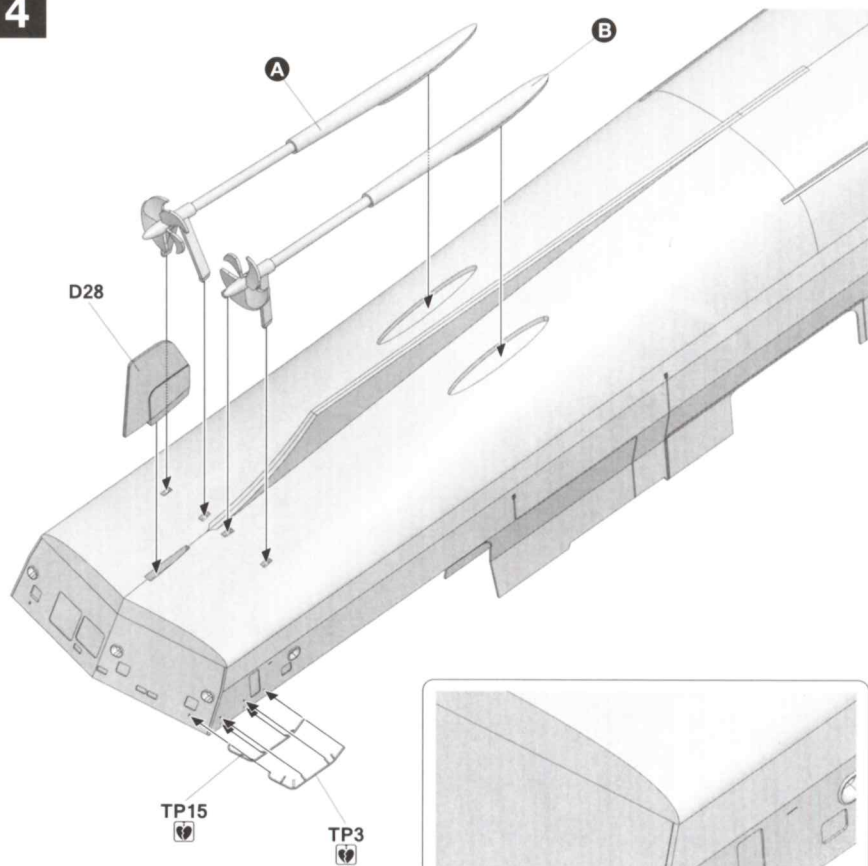


TP



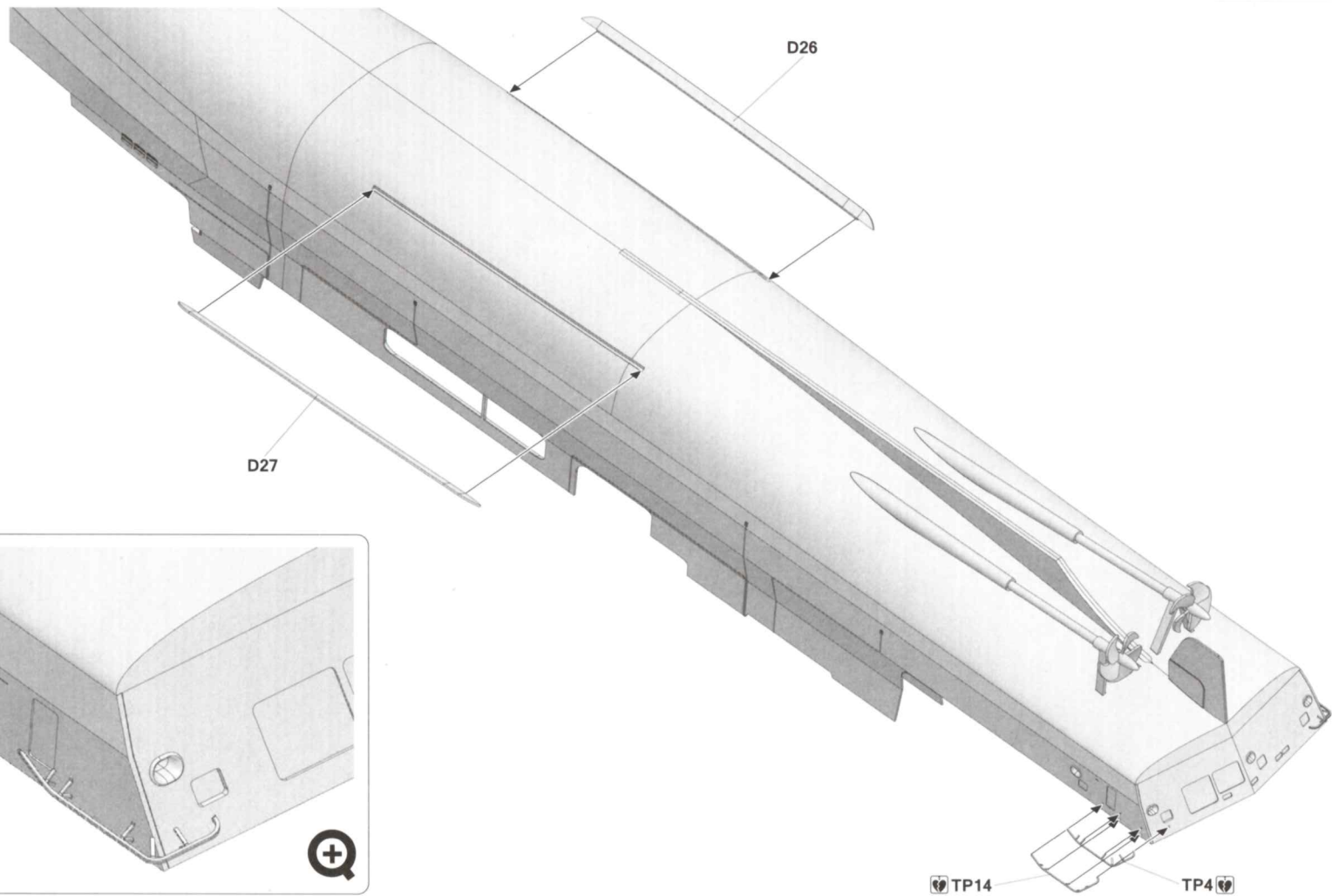
Decal

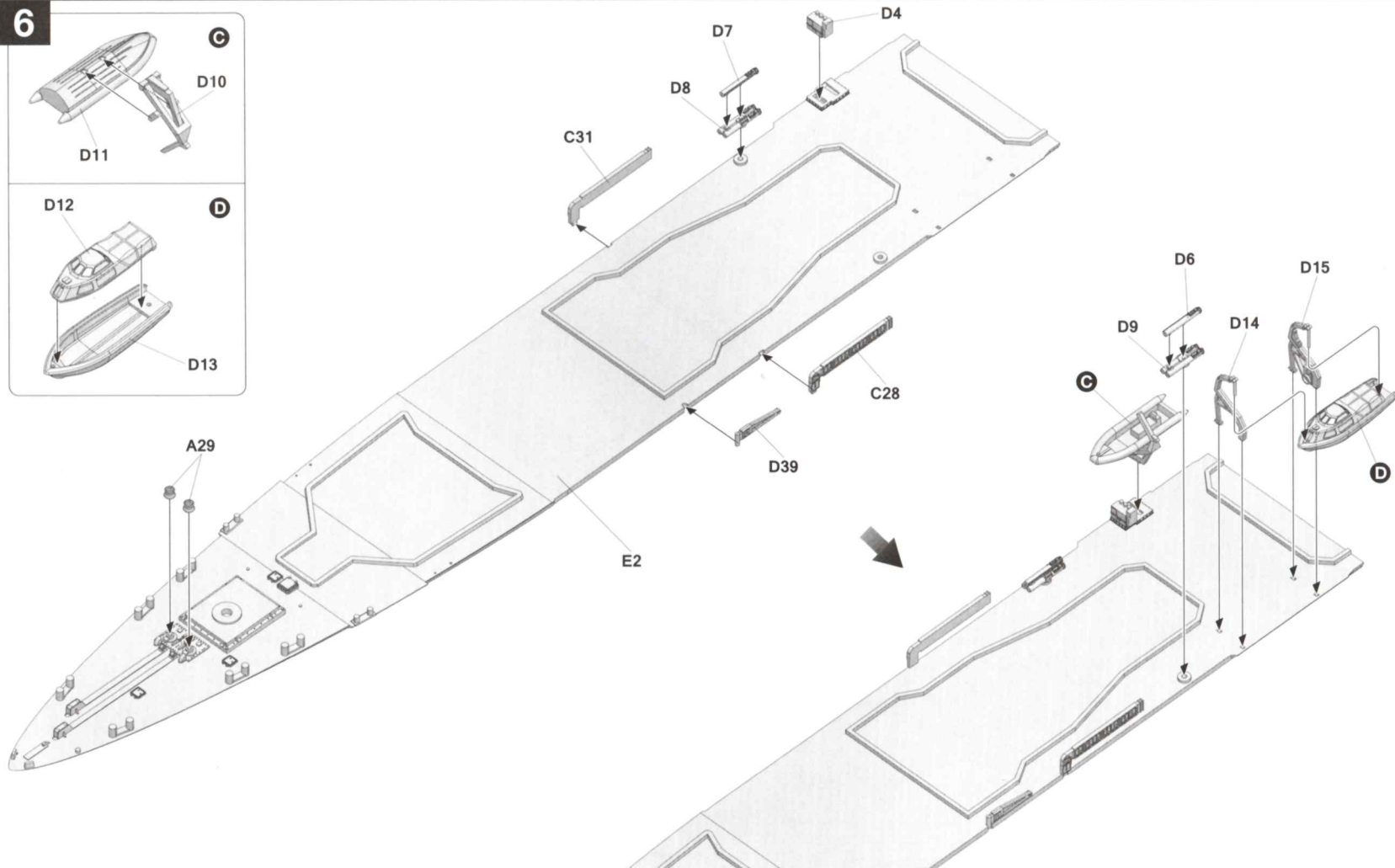
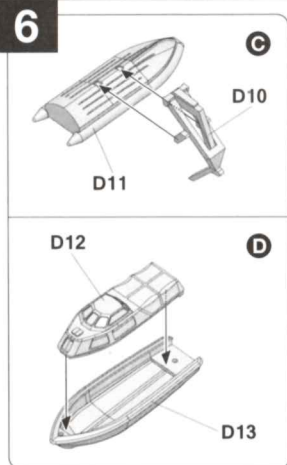
**1****2****3**

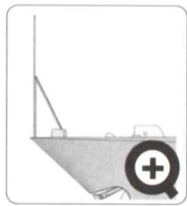
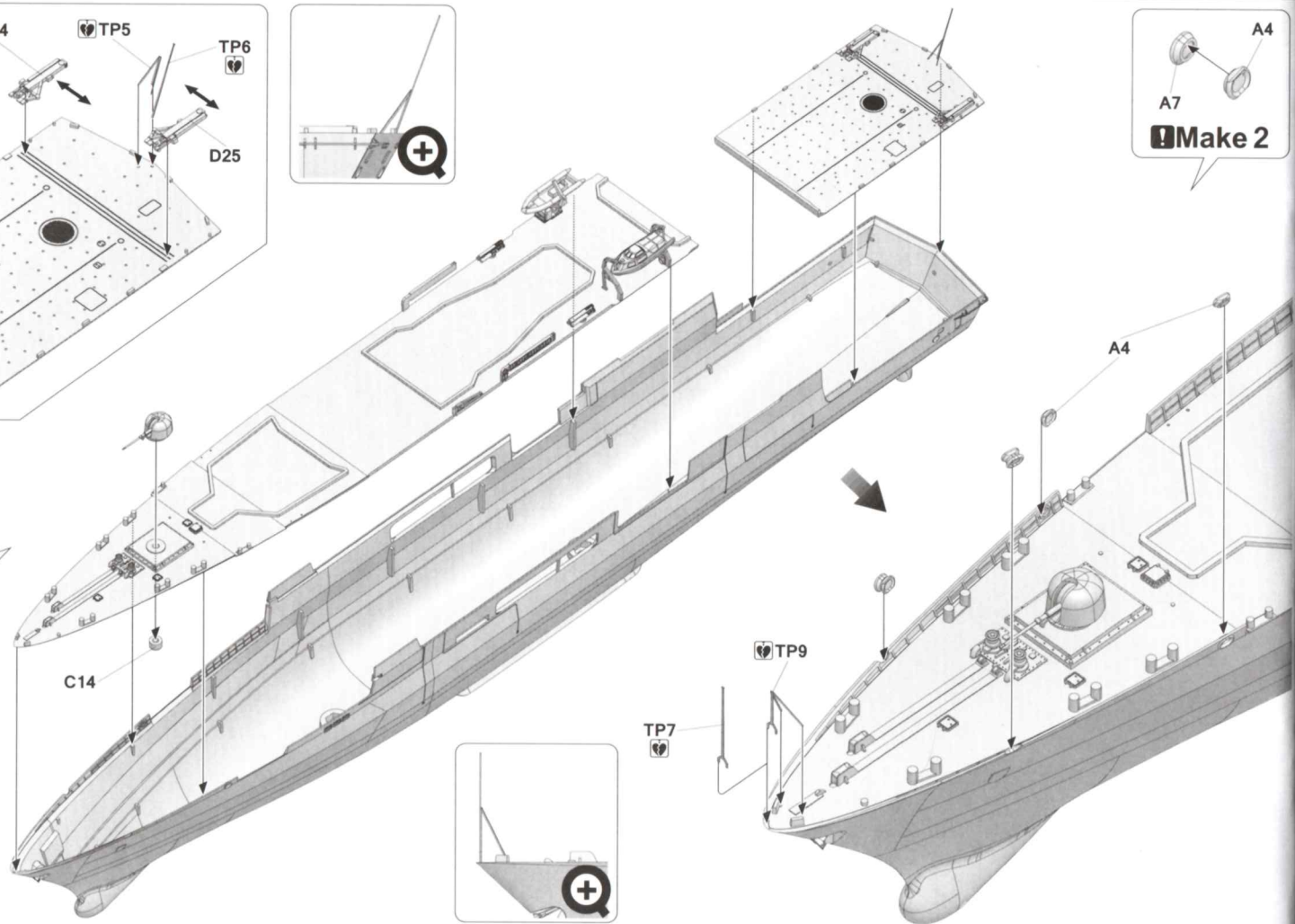
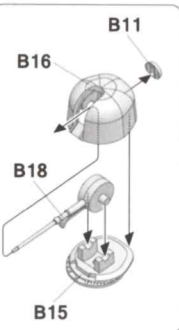
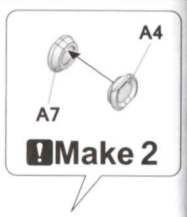
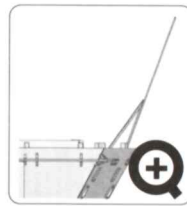
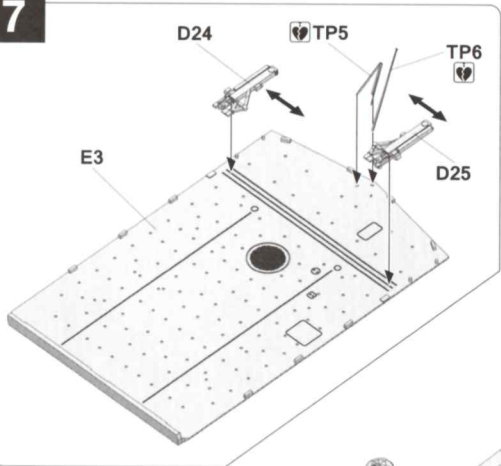
**3****4**



5

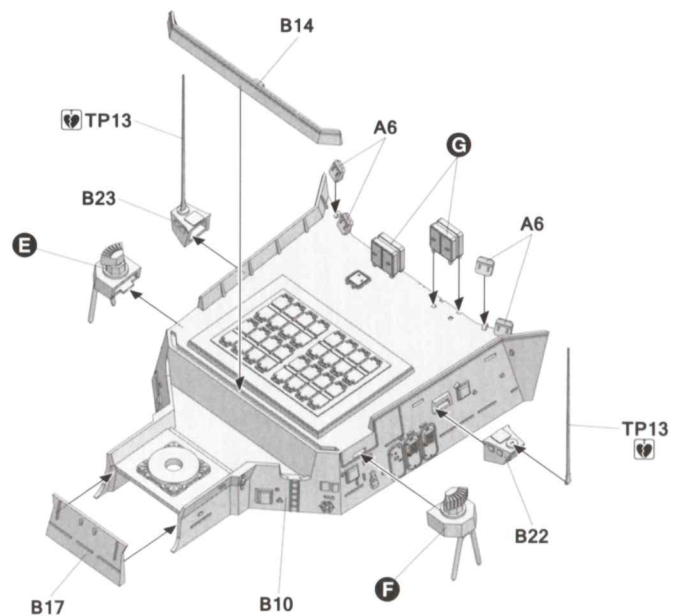
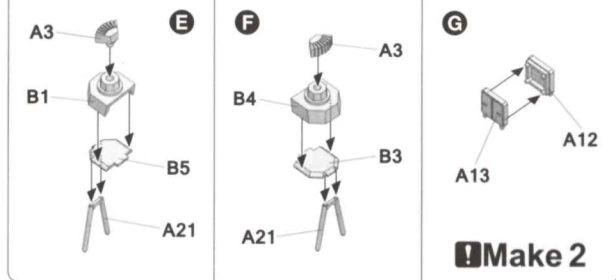




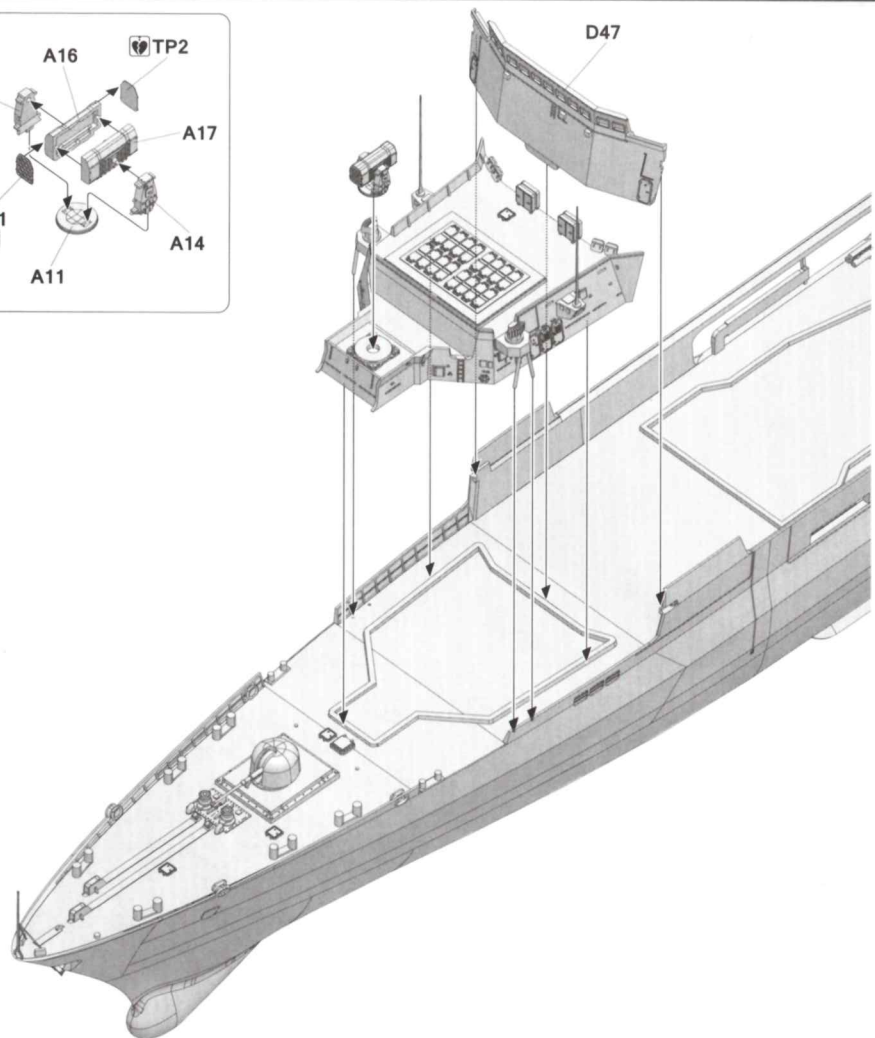
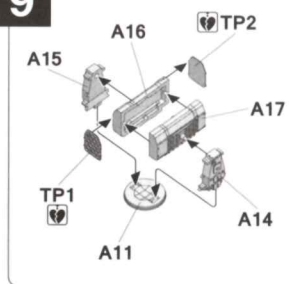




8

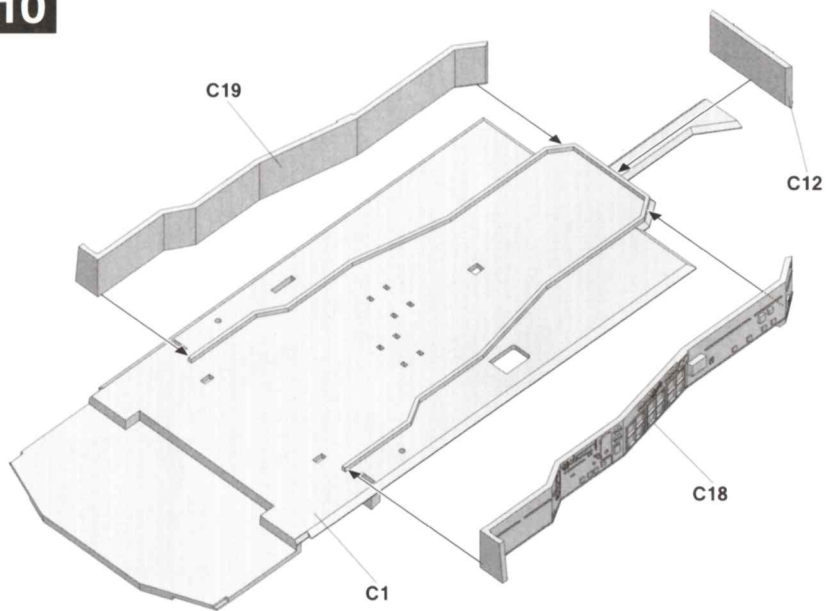


9

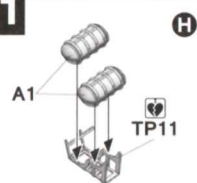


8

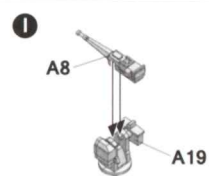
10



11

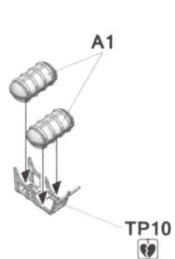


**Make 3**

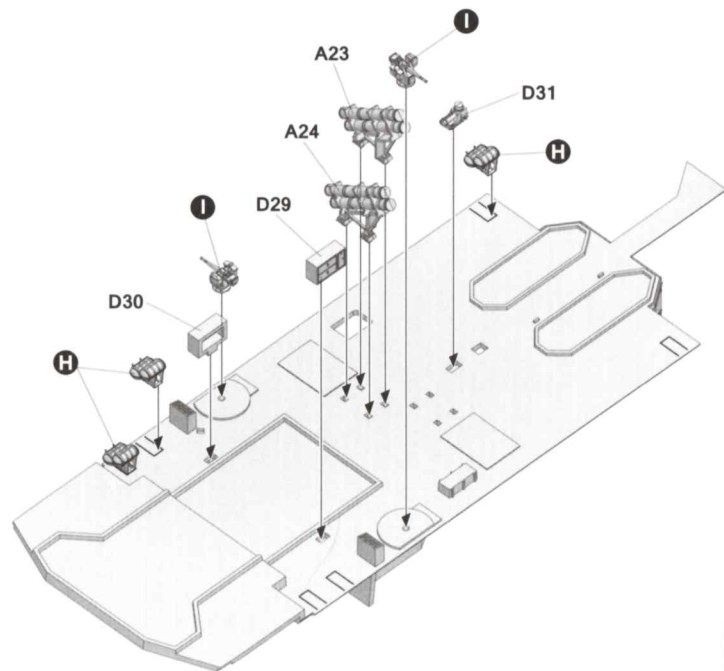
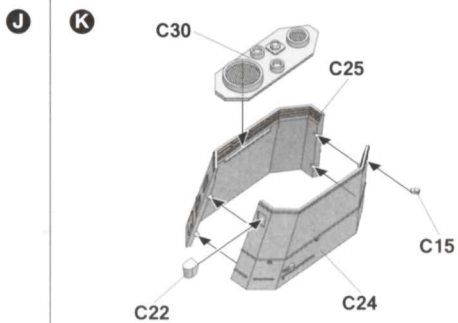


**Make 2**

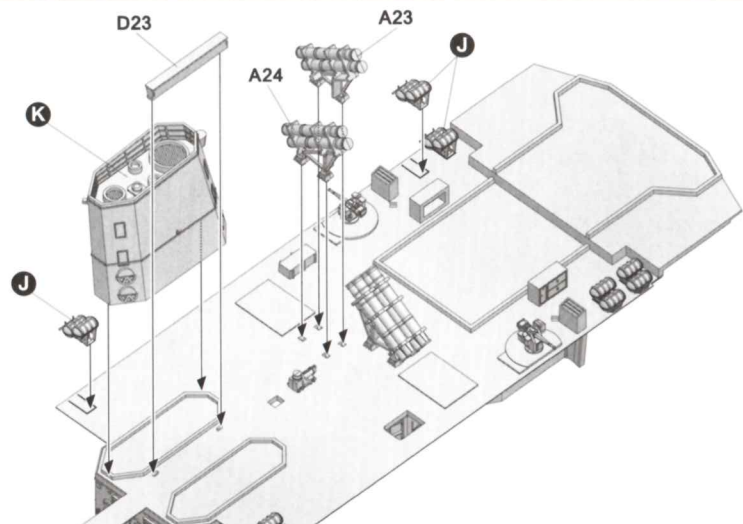
12



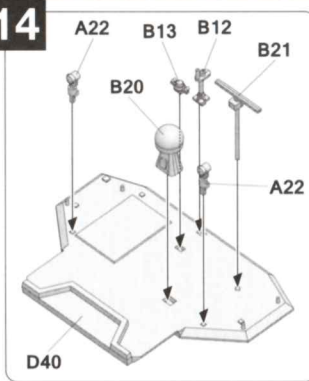
**Make 3**



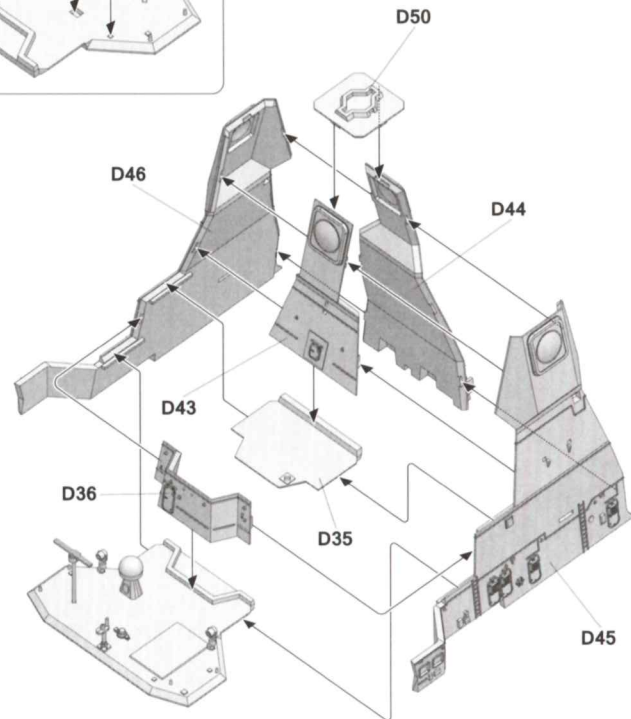
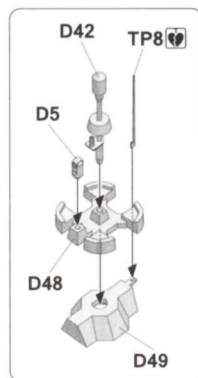
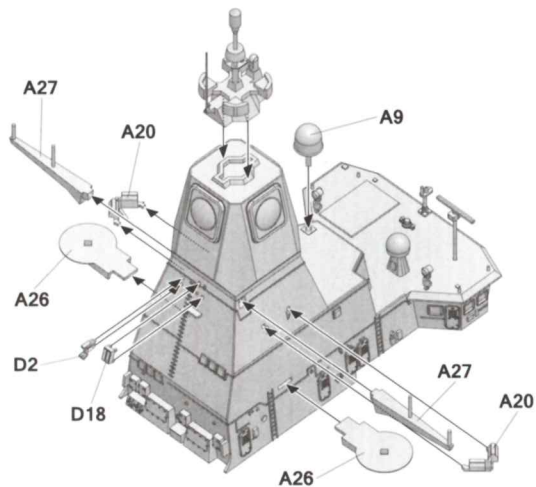
13



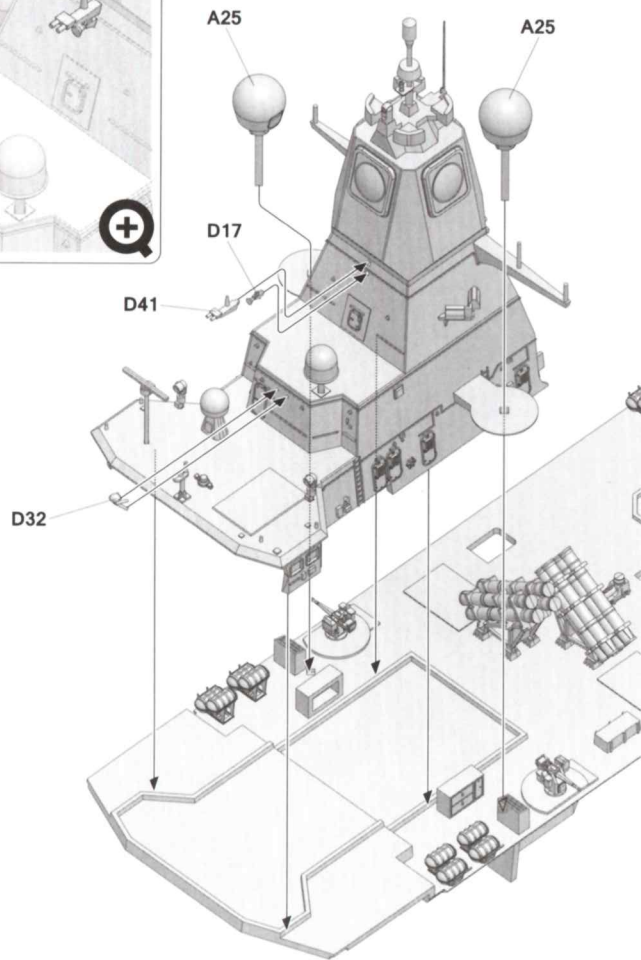
14



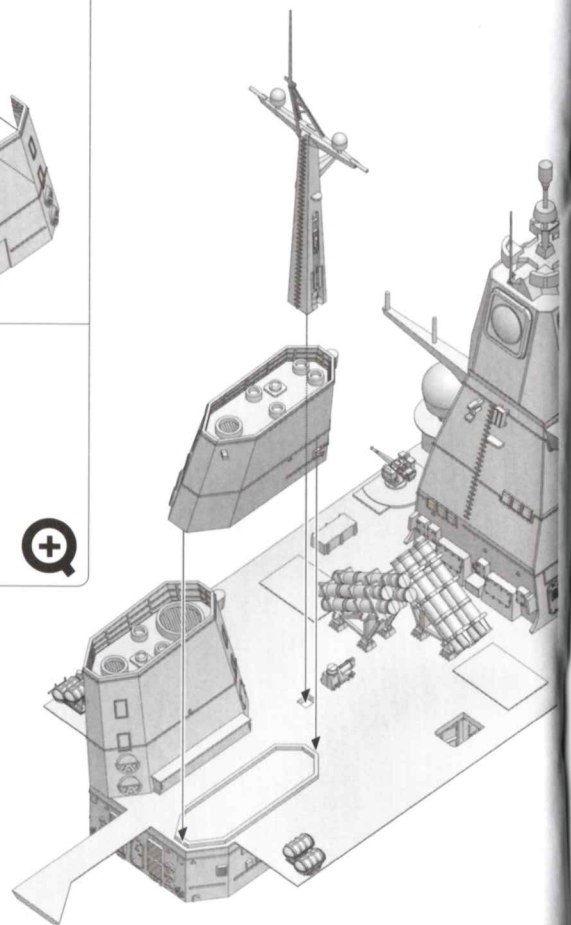
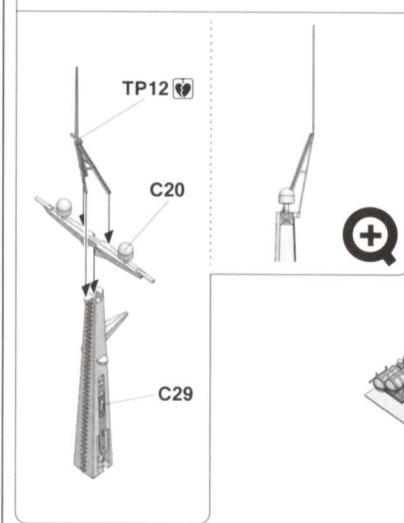
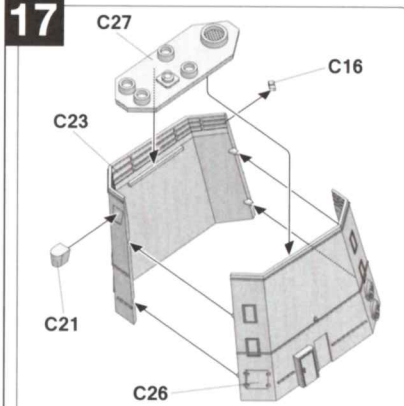
15

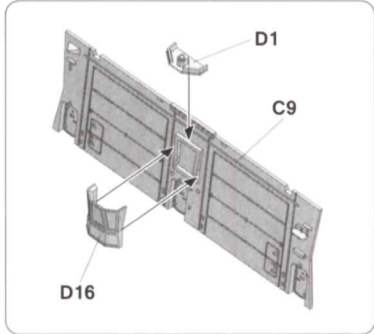
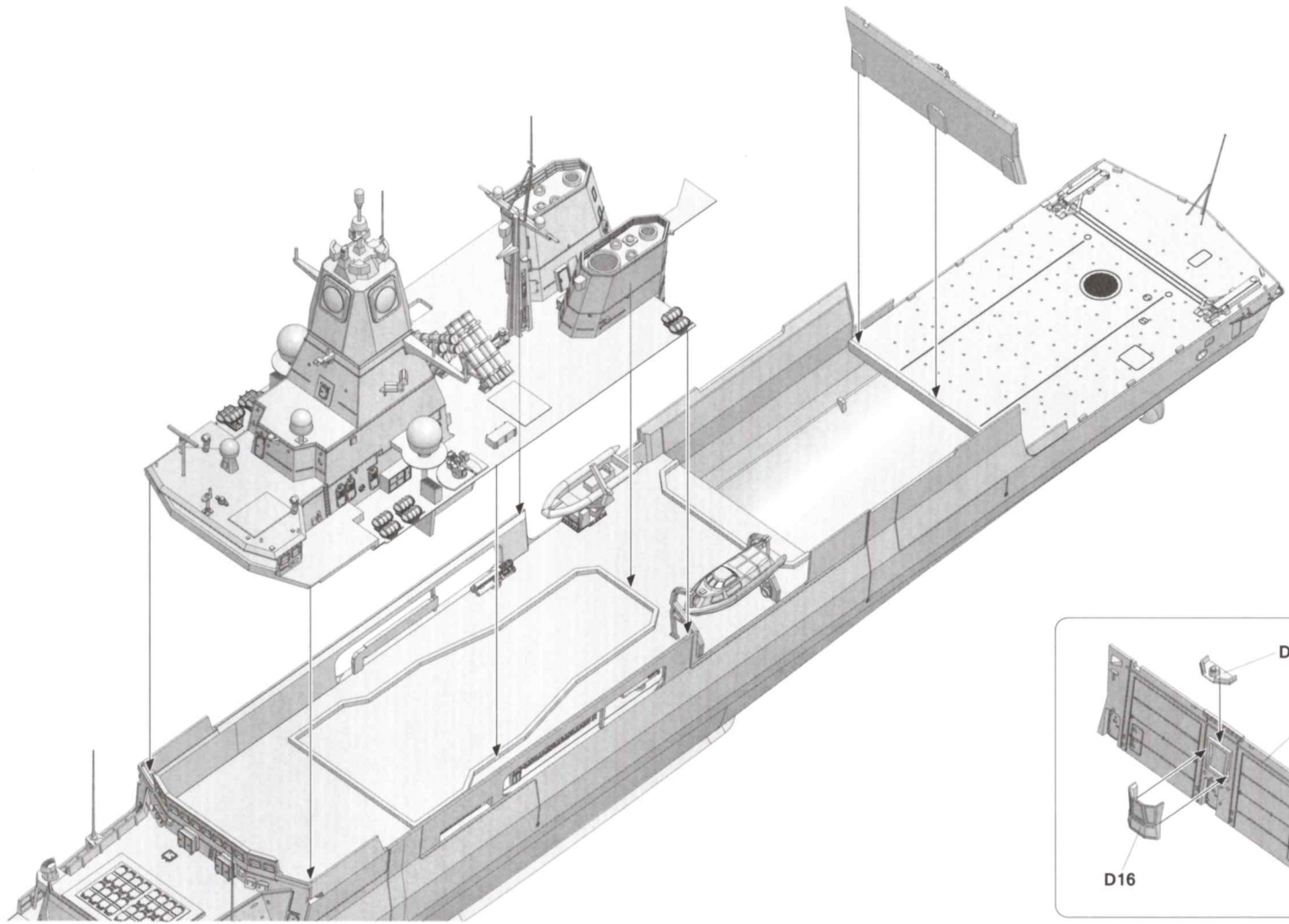


16



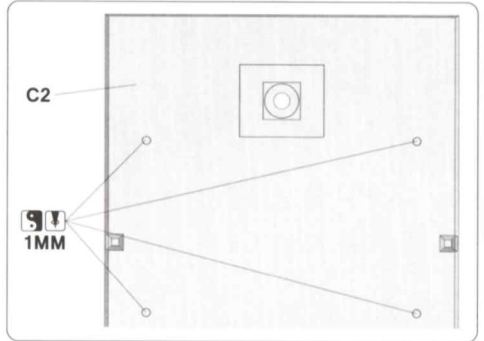
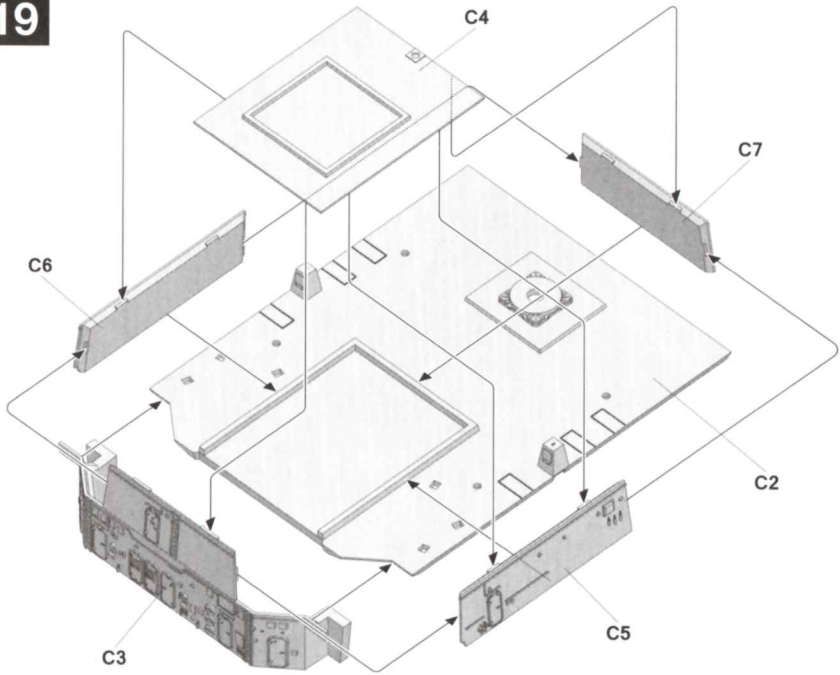
17



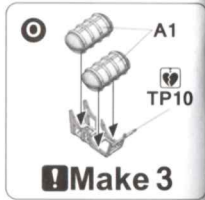
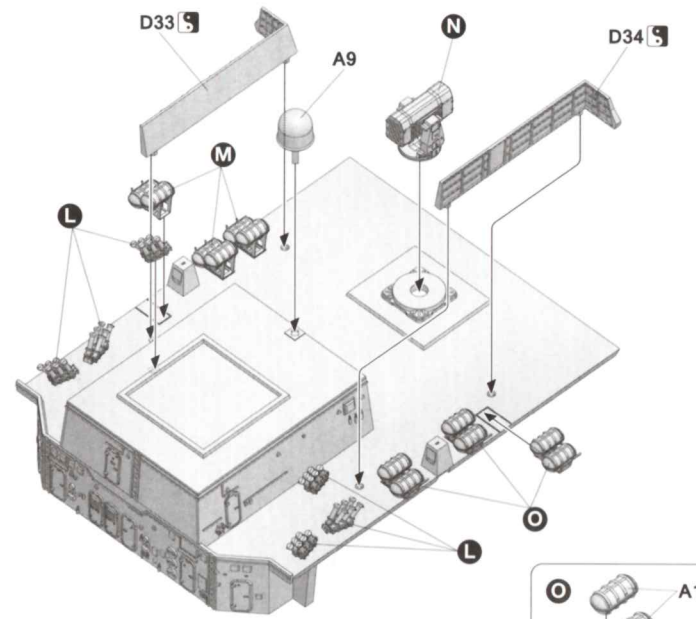
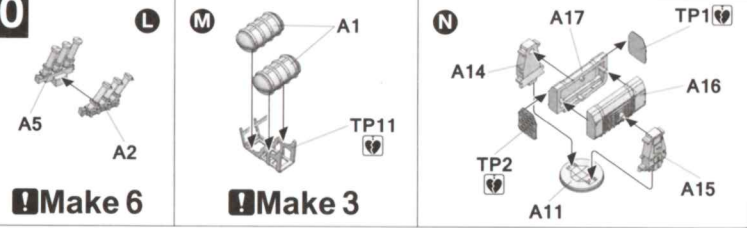




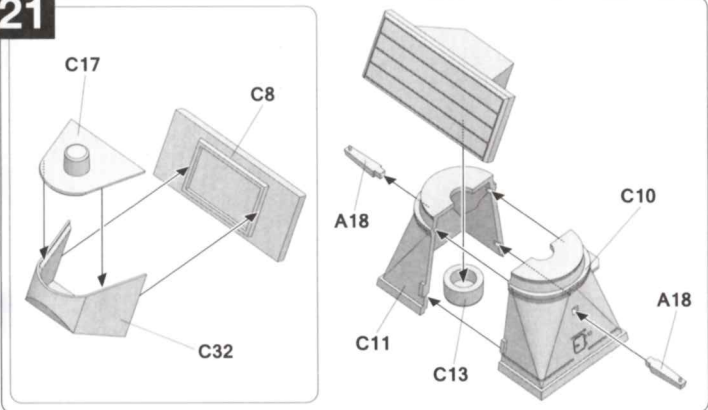
19



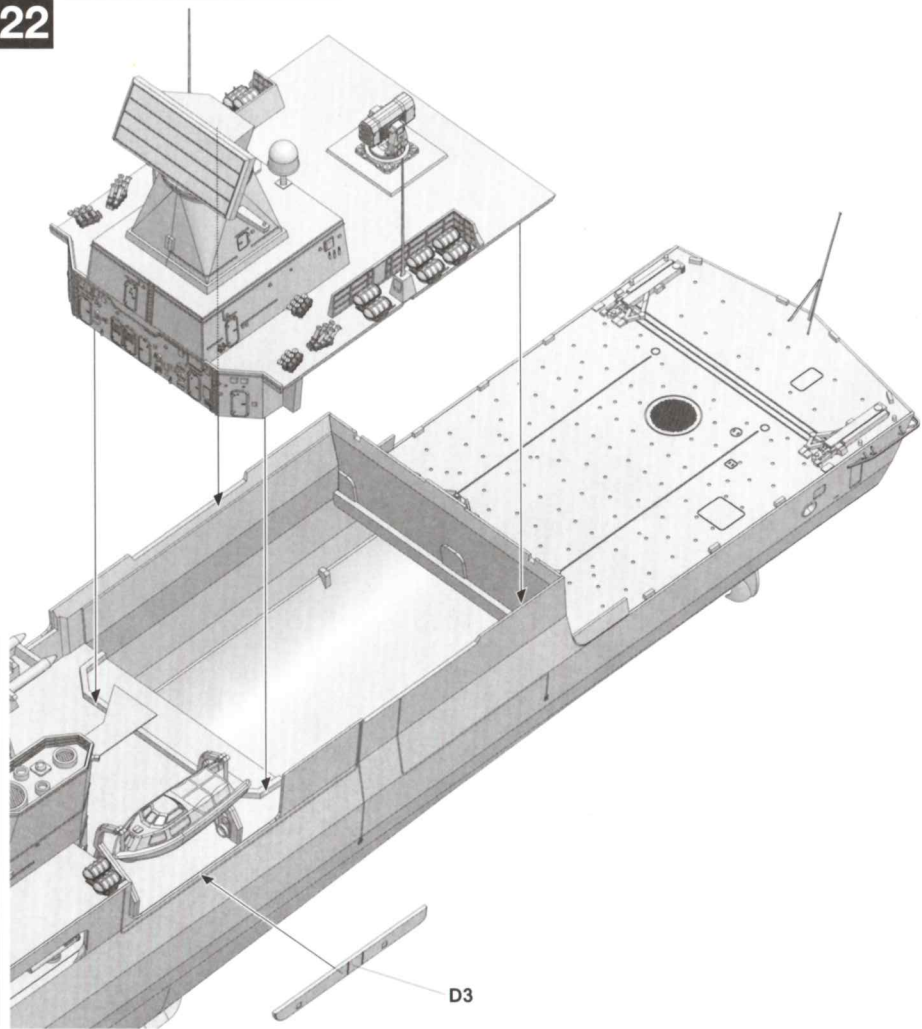
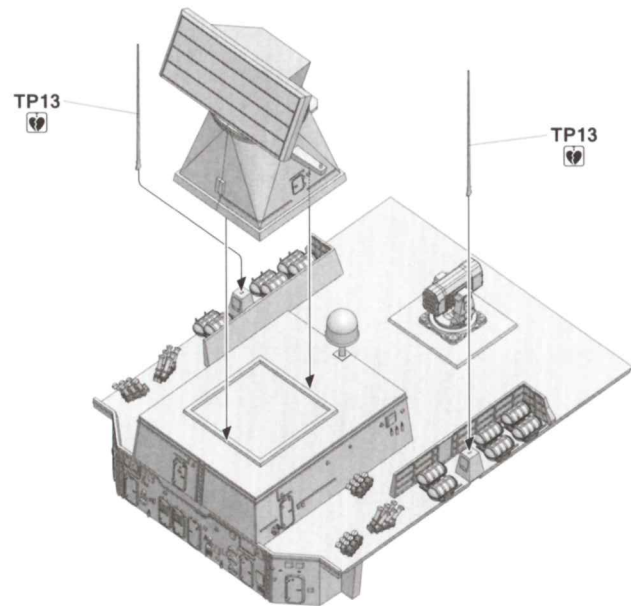
20



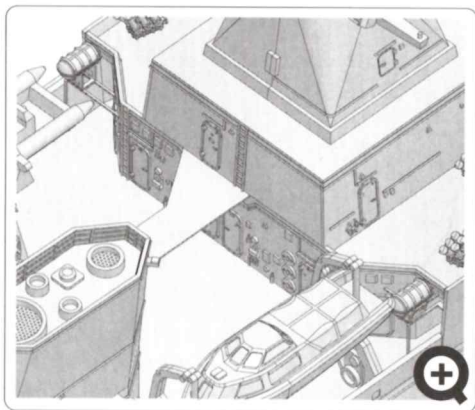
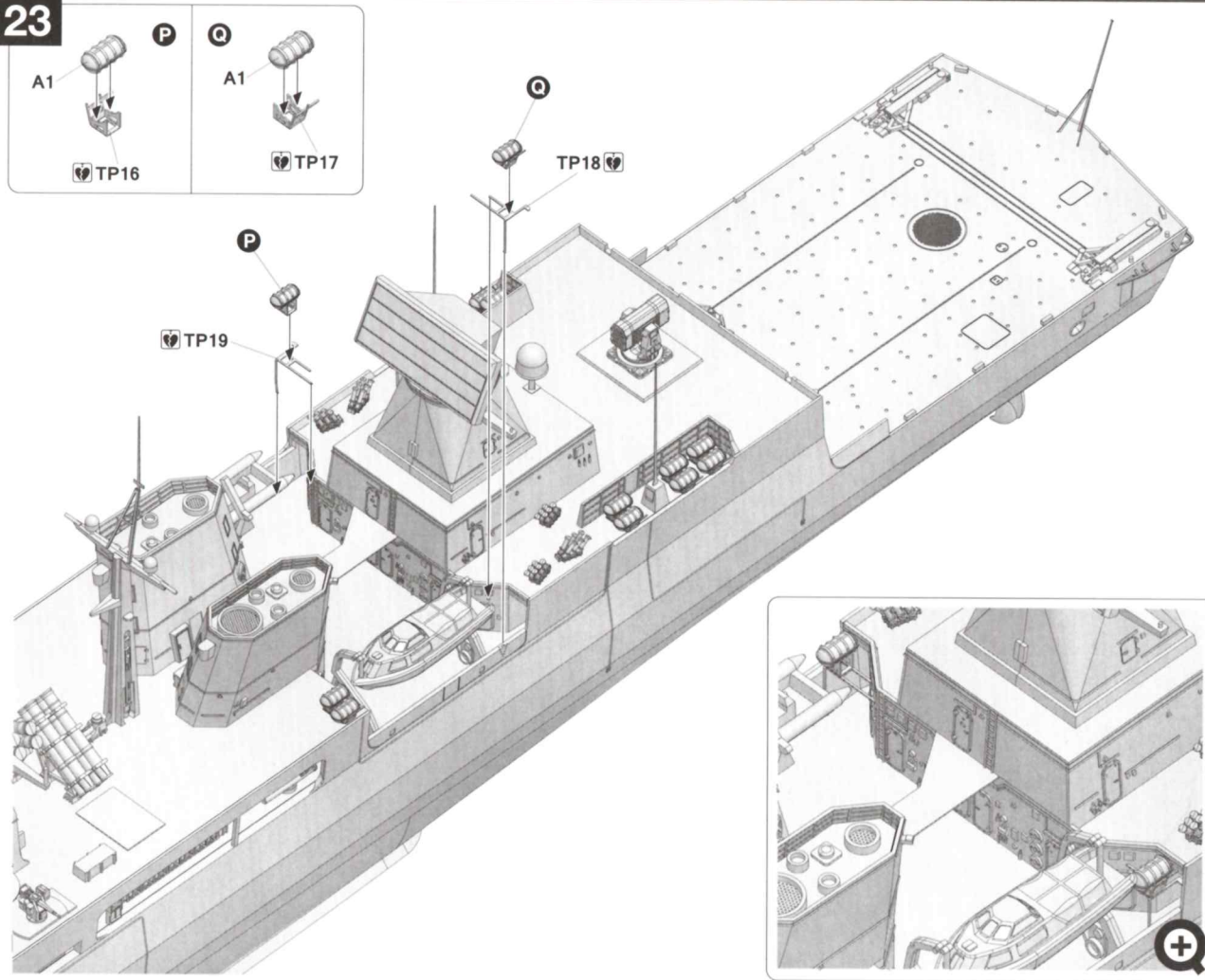
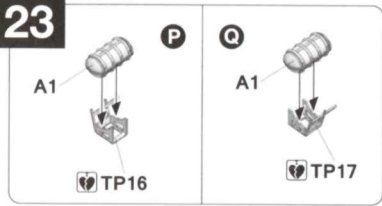
21



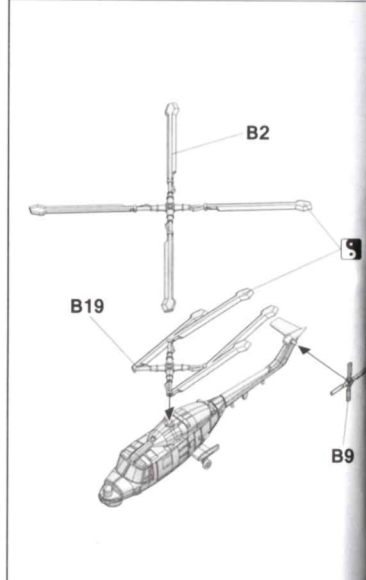
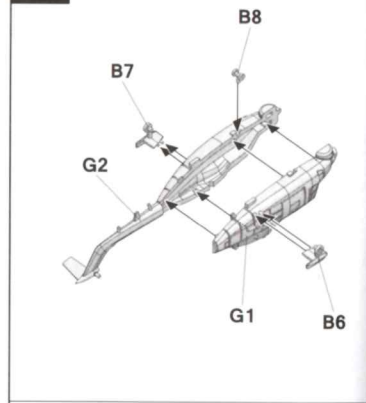
22

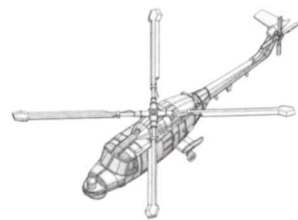
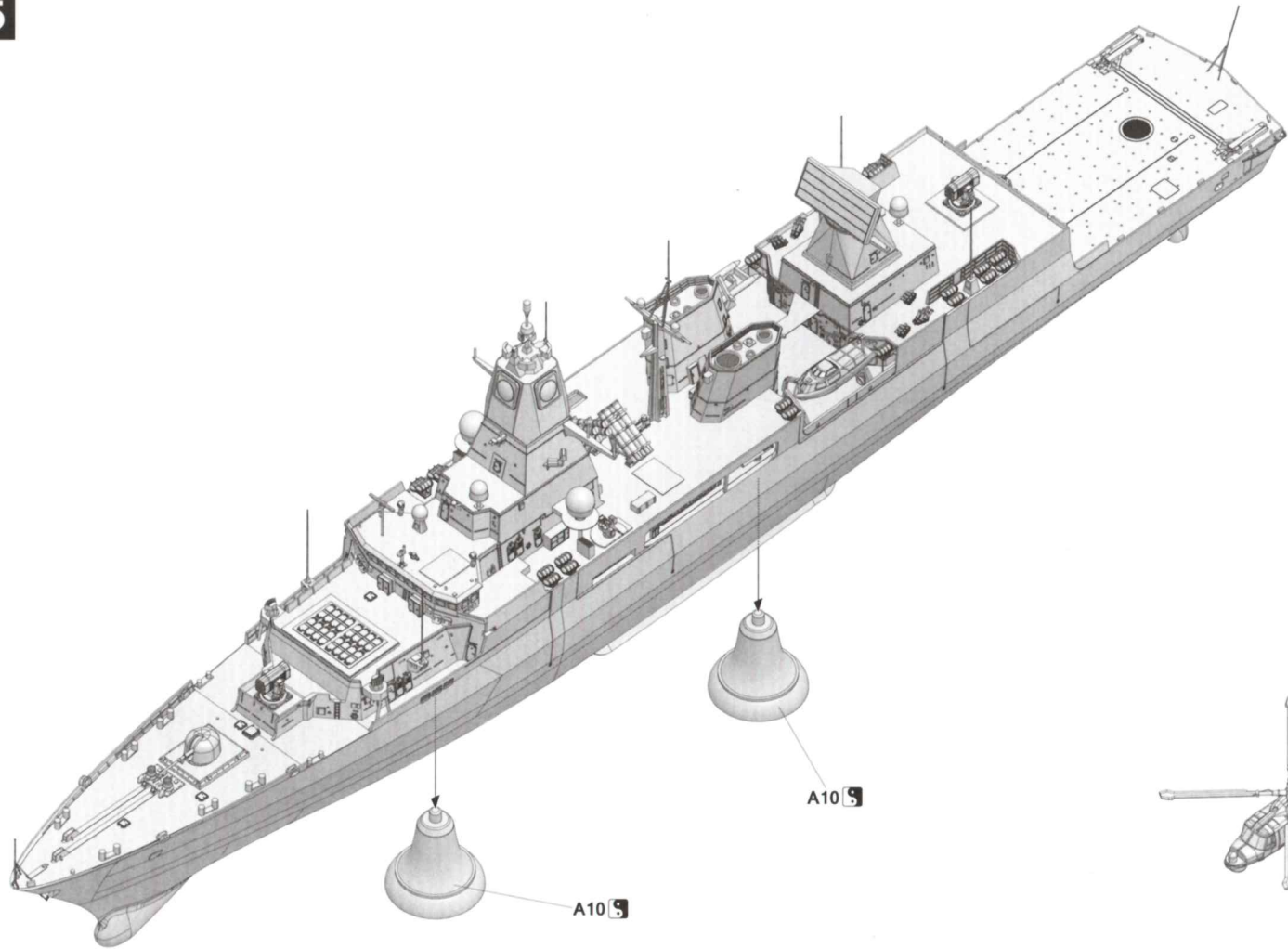


23



24







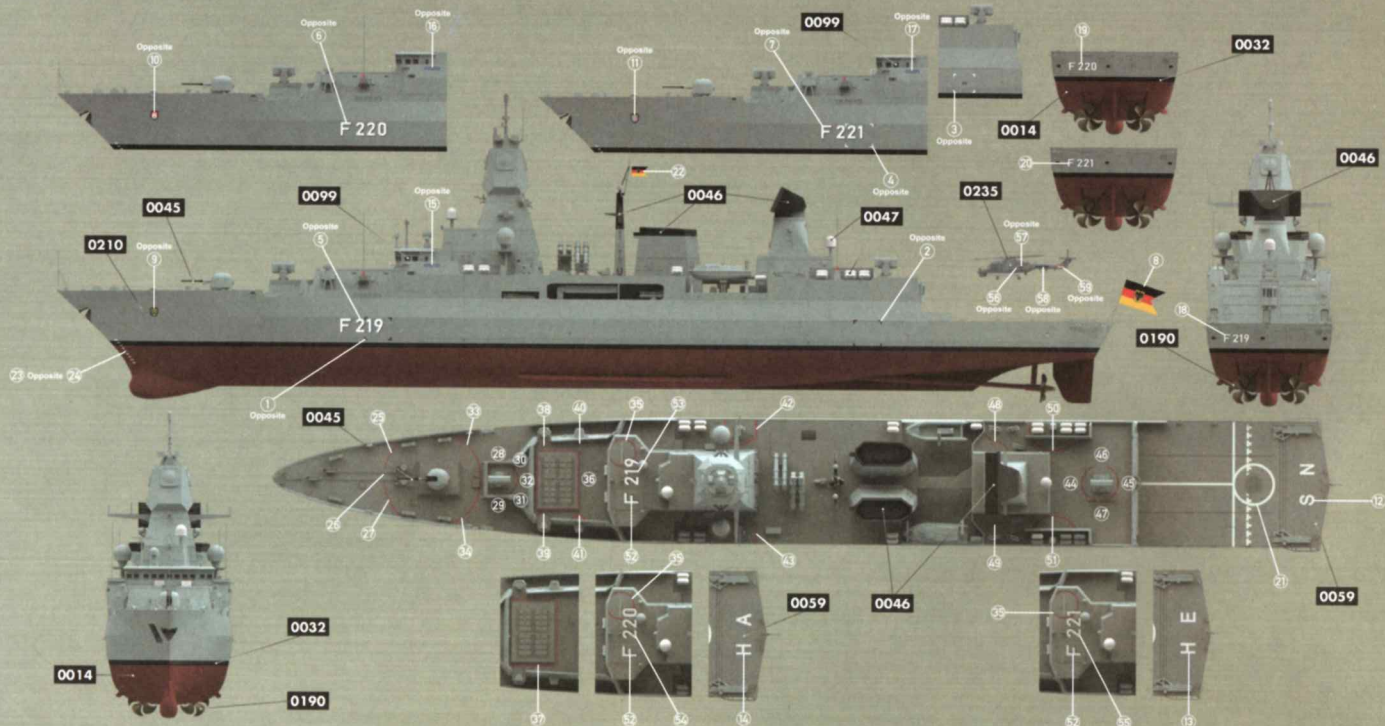
# F-124. SACHSEN-CLASS

## Painting and Marking Guide

**TAKOM** Ref: 6001

F-124 Sachsen - Class

- |  |                                    |                             |                              |                         |                        |                                      |                             |
|--|------------------------------------|-----------------------------|------------------------------|-------------------------|------------------------|--------------------------------------|-----------------------------|
| <b>A.MIG-0014</b> RAL 8012<br>Rotbrunnen     | <b>A.MIG-0032</b> Sattin Black     | <b>A.MIG-0045</b> Gun Metal | <b>A.MIG-0046</b> Matt Black | <b>A.MIG-0047</b> White | <b>A.MIG-0059</b> Grey | <b>A.MIG-0099</b> Crystal Black Blue | <b>A.MIG-0190</b> Old Brass |
| <b>A.MIG-0210</b> FR3527 Blue<br>Grey AM1-11 | <b>A.MIG-0235</b> Dark Grey AM1-12 |                             |                              |                         |                        |                                      |                             |



### WEATHERING STEPS WITH AMMO PRODUCTS

- |  |  |   |   |   |   |  |
|--|--|---|---|---|---|--|
| <b>1 FILTER</b><br>A.MIG-1501 Grey for White | <b>2 GENERAL WASH</b><br>A.MIG-1010 Neutral Wash | <b>3 CAMO FADING</b><br>A.MIG-3501 Oilbrusher White | <b>4 CAMO SHADING</b><br>A.MIG-0857 Grey Shader | <b>5 DIRT SHADING</b><br>A.MIG-0853 Dirt Shader | <b>6 STREAKING</b><br>A.MIG-1204 Rust Effects | <b>7 PIGMENTS</b><br>A.MIG-3020 Metal Slag |
|--|--|---|---|---|---|--|



# M60A3 w/ M9 BULLDOZER



▲ PARTS CAN BE JOINED IN-OR-OUT OF CLOSED POSITION.  
 ▲ DETAILED STATIC DISPLAY PLASTIC MODEL.  
 ▲ PE/CLEAR PARTS INCLUDED.  
 ▲ 4 TYPES OF MARKINGS.  
 ▲ ONE-PIECE TRACKS.

JASON 2010

1/35  
No. 3037

▲ THIS IS NOT A TOY ▲ INTENDED FOR COLLECTORS OF AGE 14 YEARS AND ABOVE ▲ CEMENT AND PAINT NOT INCLUDED ▲ MODEL MAY VARY FROM IMAGE ON BOX ▲ READY TO ASSEMBLE PRECISION MODEL KIT

# ZEPPELIN P CLASS AIRSHIP

length - 466mm



▲ DETAILED STATIC DISPLAY PLASTIC MODEL  
 ▲ 5 TYPES OF MARKINGS  
 ▲ PE PARTS INCLUDED

JASON 2010



1/350  
No. 6002

▲ THIS IS NOT A TOY ▲ MODEL MAY VARY FROM IMAGE ON BOX ▲ CEMENT AND PAINT NOT INCLUDED ▲ READY TO ASSEMBLE PRECISION MODEL KIT ▲ INTENDED FOR COLLECTORS OF AGE 14 YEARS AND ABOVE

# LUN-CLASS EKRANOPLAN

length - 510mm



▲ DETAILED STATIC DISPLAY PLASTIC MODEL  
 ▲ CLEAR PARTS INCLUDED  
 ▲ 3 TYPES OF MARKINGS

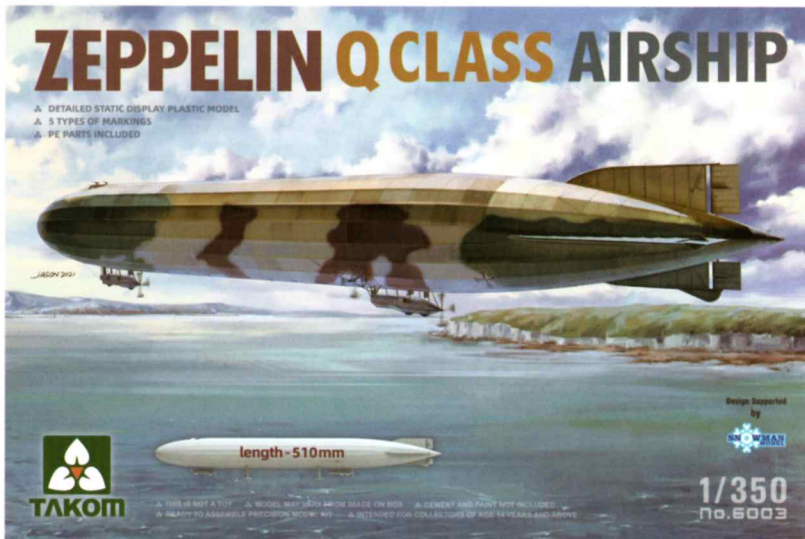
1/144  
No. 3002



▲ THIS IS NOT A TOY ▲ INTENDED FOR COLLECTORS OF AGE 14 YEARS AND ABOVE ▲ CEMENT AND PAINT NOT INCLUDED ▲ MODEL MAY VARY FROM IMAGE ON BOX ▲ READY TO ASSEMBLE PRECISION MODEL KIT

# ZEPPELIN Q CLASS AIRSHIP

length - 510mm



▲ DETAILED STATIC DISPLAY PLASTIC MODEL  
 ▲ 5 TYPES OF MARKINGS  
 ▲ PE PARTS INCLUDED

JASON 2010



1/350  
No. 6003

▲ THIS IS NOT A TOY ▲ MODEL MAY VARY FROM IMAGE ON BOX ▲ CEMENT AND PAINT NOT INCLUDED ▲ READY TO ASSEMBLE PRECISION MODEL KIT ▲ INTENDED FOR COLLECTORS OF AGE 14 YEARS AND ABOVE

