

# British Fleet Air Arm Avenger Mk I

イギリス海軍アヴェンジャー Mk1 英国皇家海军“复仇者”Mk.1型鱼雷攻击机

## PLEASE READ BEFORE OPERATION!

- \* Tools recommended as below: (Not included)  
Adhesives; Paints; Side Cutters; Sharp Edged Pliers; Modeling Knife; Modeling File; Nippers; Drill; Scissors; Sand Paper; Soft Cloth; Cyanoacrylate Glue.
- \* Make sure to read this instruction listed below before assembling.
- \* The kit contains the small parts, they can be dangerous if swallowed by mistake, so keep them away from reach of children.
- \* Cut the all parts off carefully and remove the waste parts into the garbage can.
- \* More caution and care should be needed for cutting and handling the photo etched parts.
- \* Make attention that some parts should be attached the decal when assembled.
- \* During assembling, please tear up and throw away the plastic bags, or may cause the dangerous if wearing over head by children's mistake.
- \* When using the adhesives and paints, please do not use them in the closed room or near the fire, also must be very careful to protect your eyes, face and clothes.
- \* Adult supervised when assembled by children under 14 years old.

## 装配前请仔细阅读:

- \* 推荐使用的模型工具(请自备):  
专用模型胶水, 专用模型油漆, 水口剪刀, 长咀钳, 刀片, 锉刀, 镊子钳, 钻, 剪刀, 软布, 砂纸, 瞬间快干胶等。
- \* 用水口剪刀或刀片小心切下所有塑胶零件和蚀刻片零件, 不要遗失小零件。
- \* 切取蚀刻片时应特别注意防止利边划伤手指。
- \* 用模型锉刀小心锉平所有零件表面的注射浇口。
- \* 用适量的强力快干胶水粘合蚀刻片零件和金属轴, 切忌过量, 否则可能导致可动零件被粘住。
- \* 注意某些零件表面需在装配时同步贴水上贴纸。
- \* 制作时应远离幼儿并将包装袋及时收妥, 谨防小孩玩耍而引起意外。



cyanoacrylate glue  
强力胶



weight  
配重



make hole  
钻孔



cut / remove  
切除



option  
选择



no cement  
不涂胶水



decal  
贴纸



bend  
弯曲



repair  
填补

## The method to apply the decals

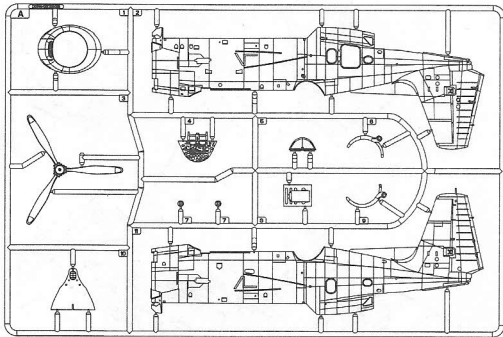
1. Cut off the decal from the decal paper and put it into the warm water 40°C for 10 seconds.
2. Take the decal from the water and put it on a piece of clean cloth.
3. Remove the decal slowly from the paper to the targeted location by a wet finger.
4. Use a piece of dry and soft cloth to press it gently on the decal until it getting dry and no bubble existing.

## 水贴纸的使用方法:

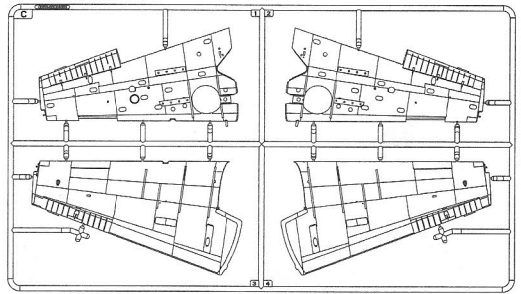
- 一. 把相关的印花从水贴纸上剪下, 放入40°C左右的温水中浸10秒。
- 二. 然后将印花放在干净的布上。
- 三. 拿上印花纸板, 手指蘸水将印花移到适当的位置。
- 四. 用软干布轻压印花直至水干, 气泡消失。

# 部品图 Parts

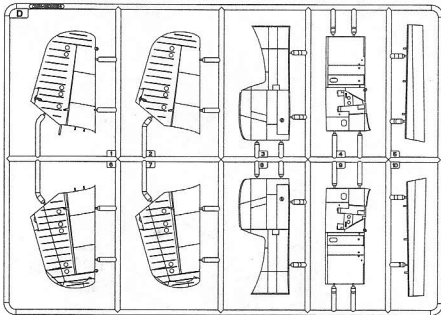
A



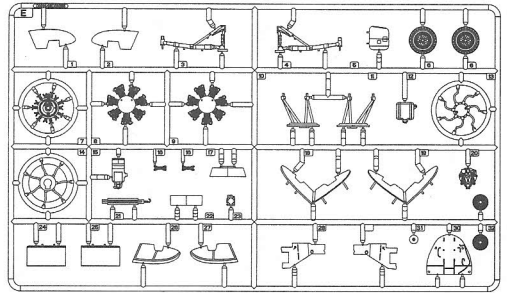
C



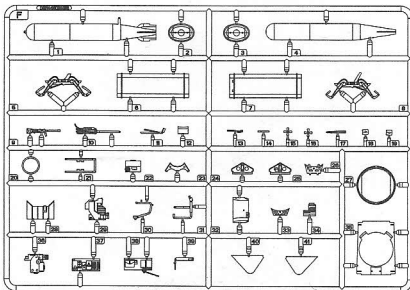
D



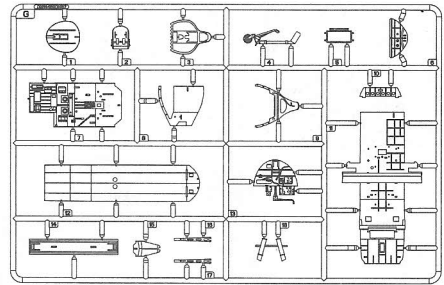
E



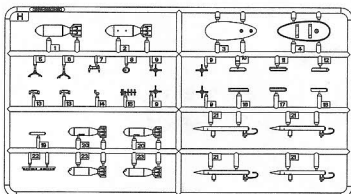
F



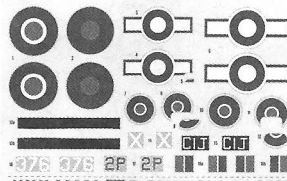
G



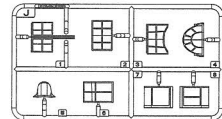
Hx2



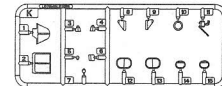
水贴  
Decal



J



K



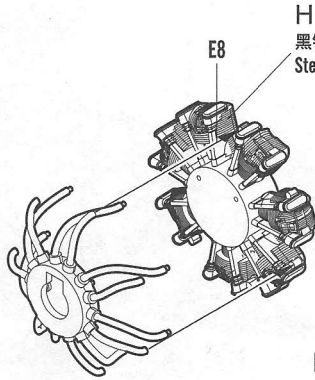
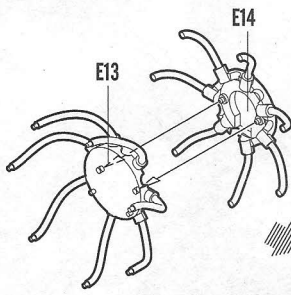
<<球形炮塔>>  
Turret

1/48 Scale British Fleet Air Arm Avenger MK1 HobbyBoss NO.80331

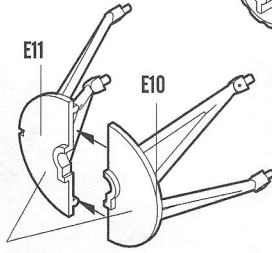
不用的部件: K7  
Unused parts

**1**  
STEP

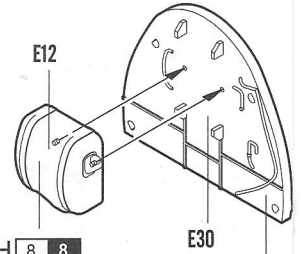
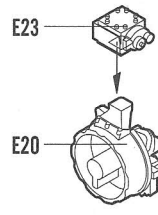
<<发动机>>  
Engine



H 28  
黑铁色  
Stell

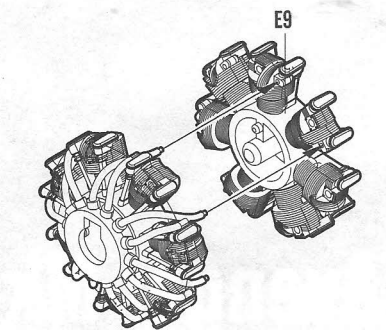


H 74 27  
机体内部色  
Interior Green



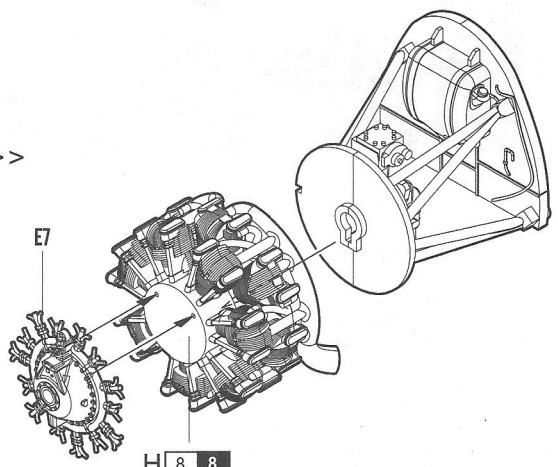
H 8 8  
银色  
Silver

H 74  
机体内部  
Interior Gr

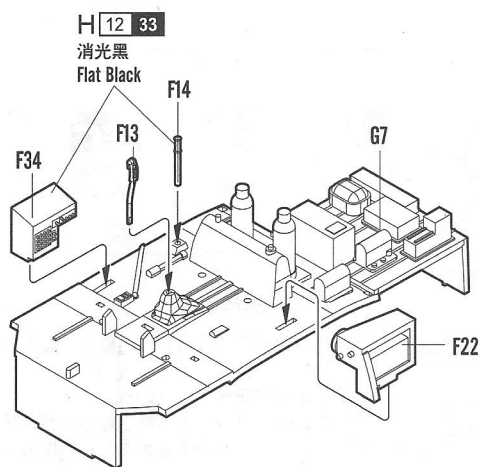


H 76 61  
烧铁色  
Burnt Iron

<<发动机>>  
Engine

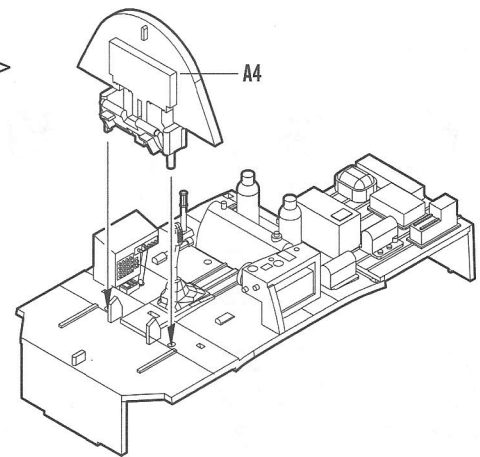


H 8 8  
银色  
Silver



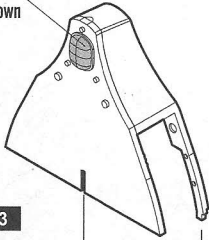
H 12 33  
消光黑  
Flat Black

<<座舱>>  
Cockpit

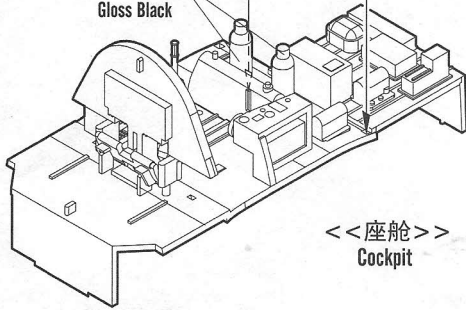


**2**  
STEP

H 47 41  
红棕色  
Red Brown

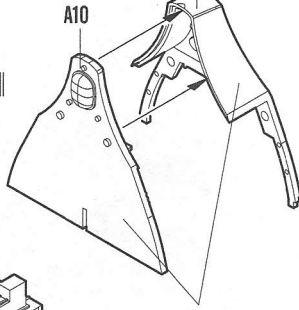


H 3 3  
红色  
Gloss Black

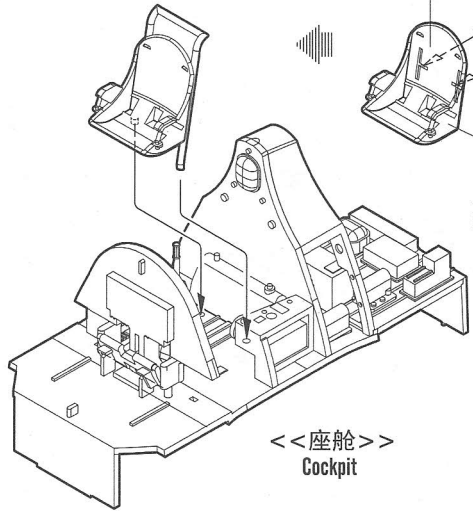


<<座舱>>  
Cockpit

G9

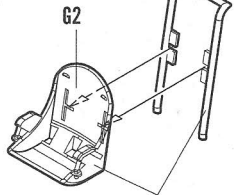


H 340 340  
原野绿  
Field Green

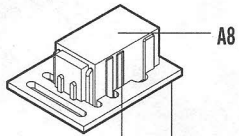


<<座舱>>  
Cockpit

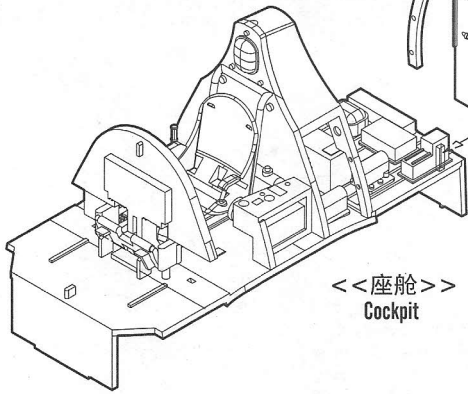
F21



H 340 340  
原野绿  
Field Green

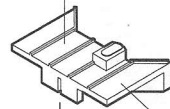


A8

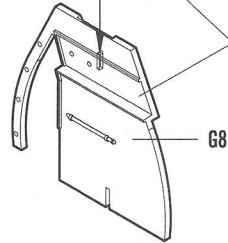


<<座舱>>  
Cockpit

F28

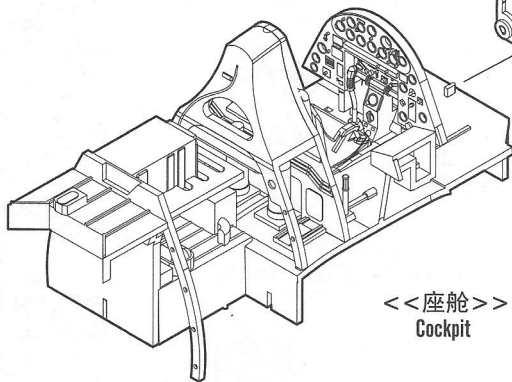


H 340 340  
原野绿  
Field Green

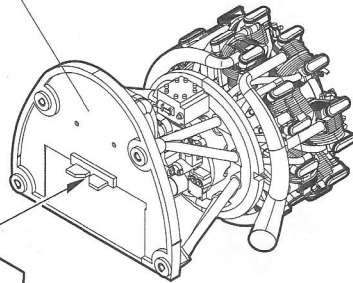


G8

H 340 340  
原野绿  
Field Green

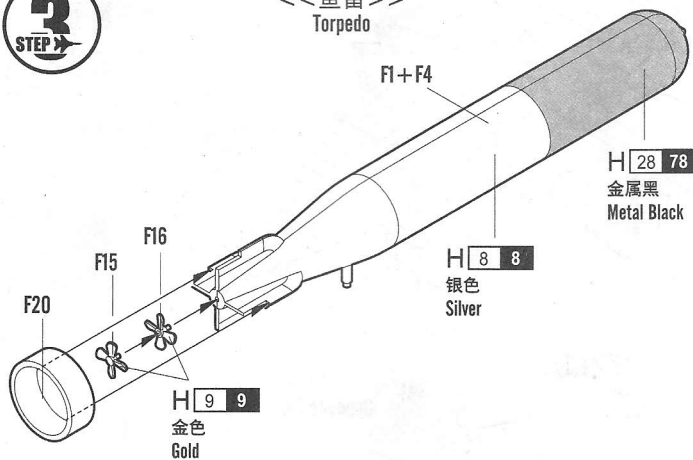


<<座舱>>  
Cockpit

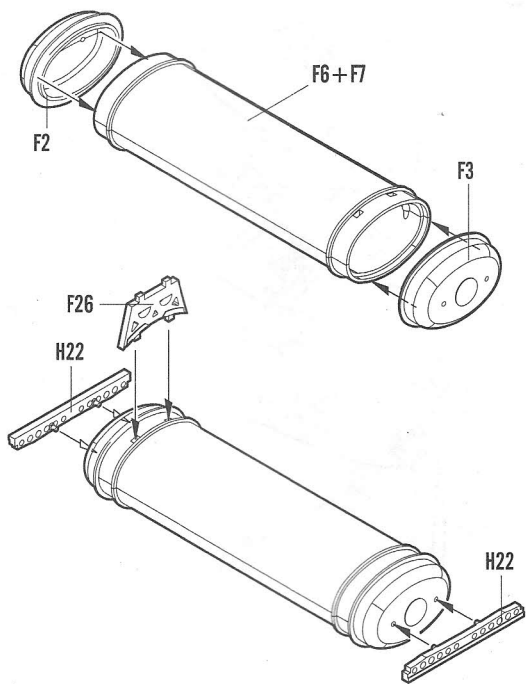


<<发动机>>  
Engine

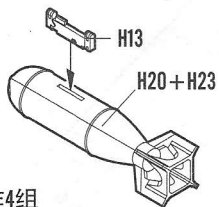
<<鱼雷>>  
Torpedo



<<油箱>>  
Fuel tank

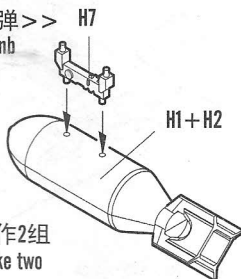


<<250lb炸弹>>  
250lb Bomb



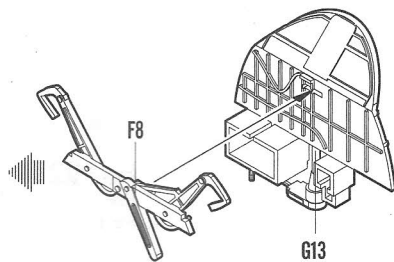
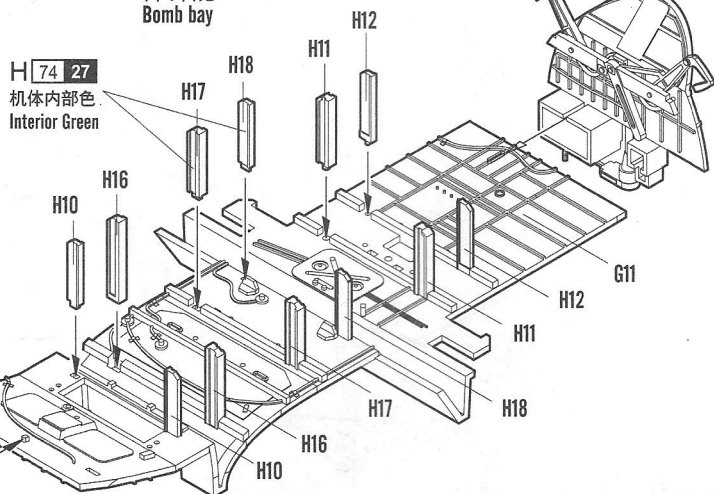
制作4组  
Make four

<<500lb炸弹>>  
500lb Bomb

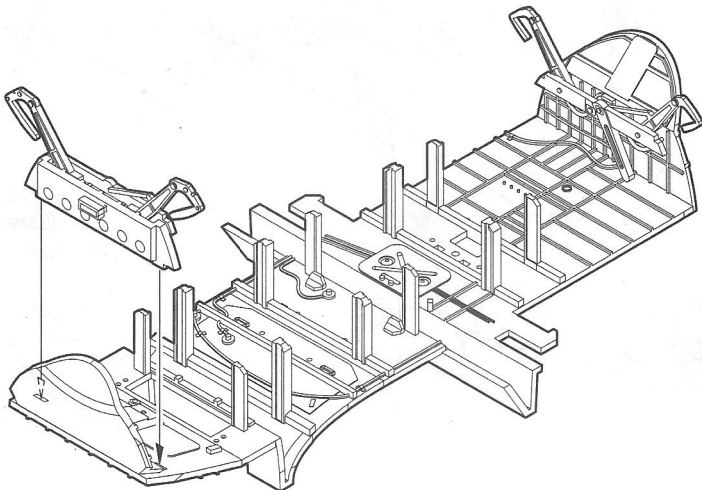
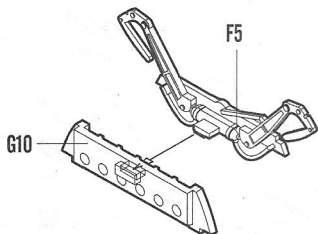


制作2组  
Make two

<<炸弹舱>>  
Bomb bay

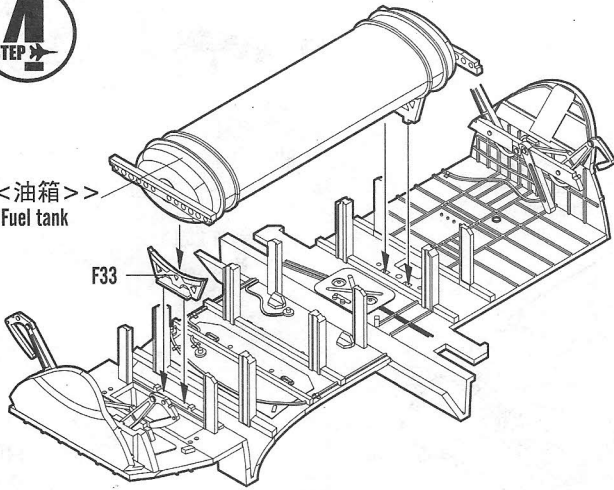


G6

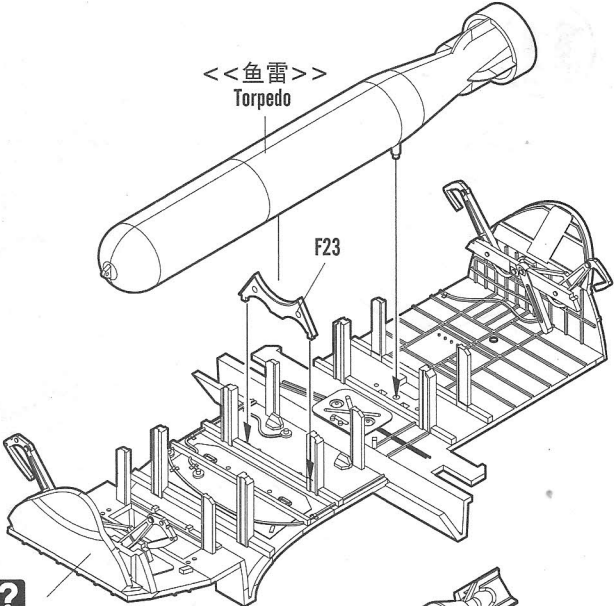




<<油箱>>  
Fuel tank

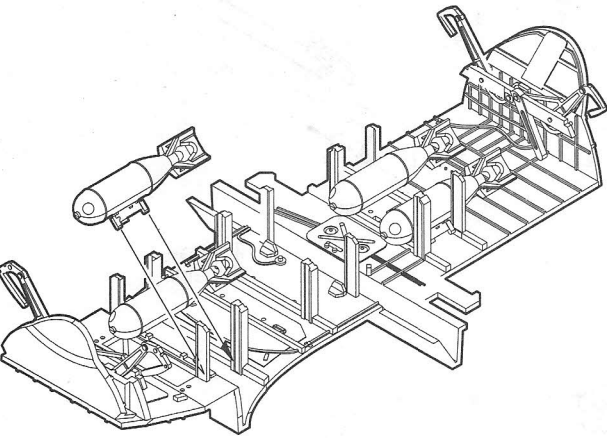
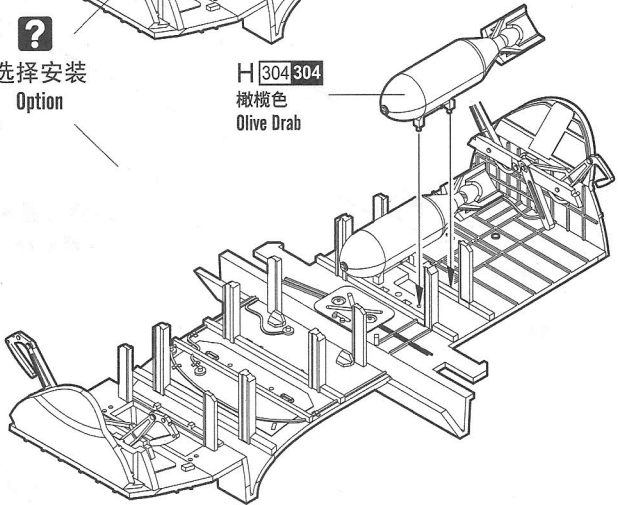


<<鱼雷>>  
Torpedo

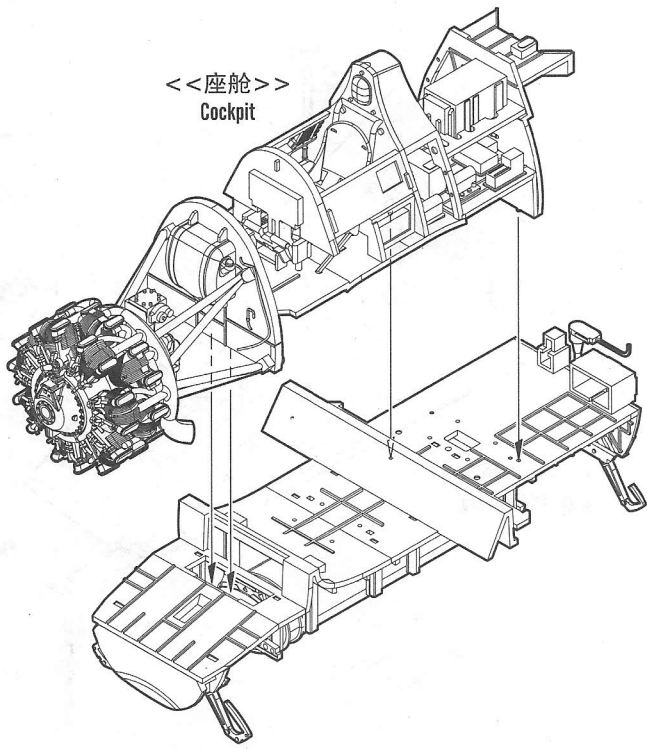


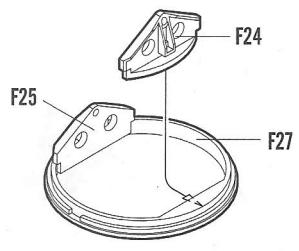
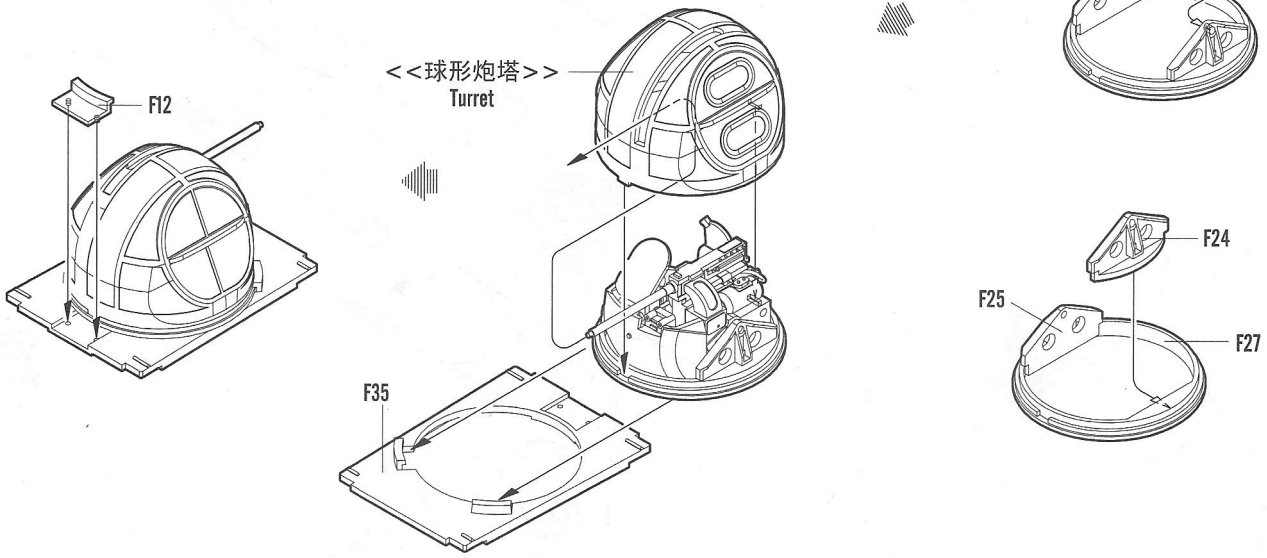
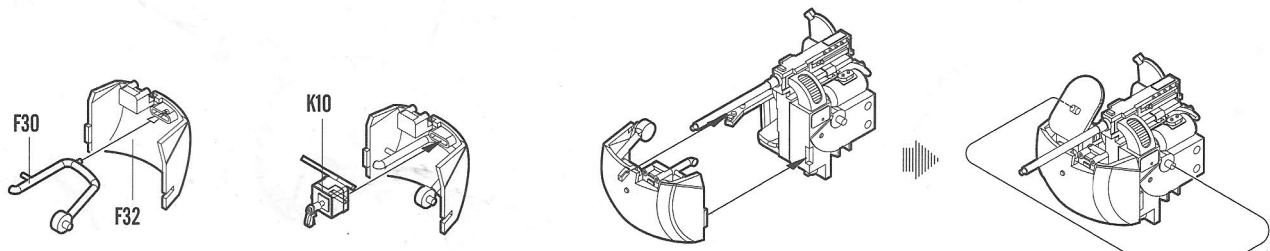
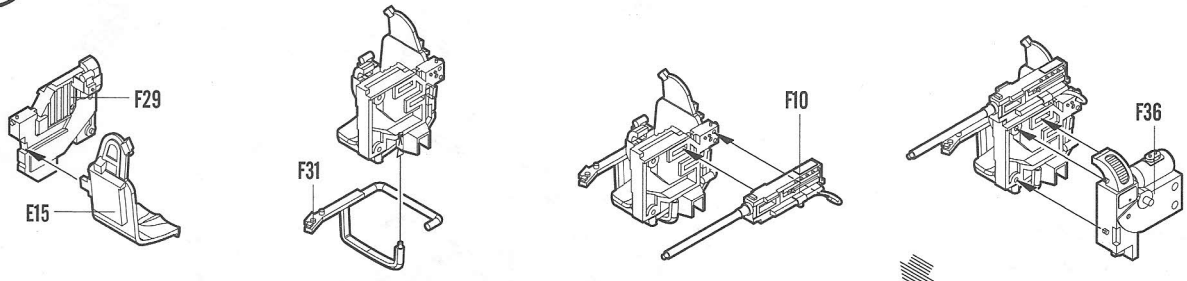
选择安装  
Option

H 304304  
橄榄色  
Olive Drab

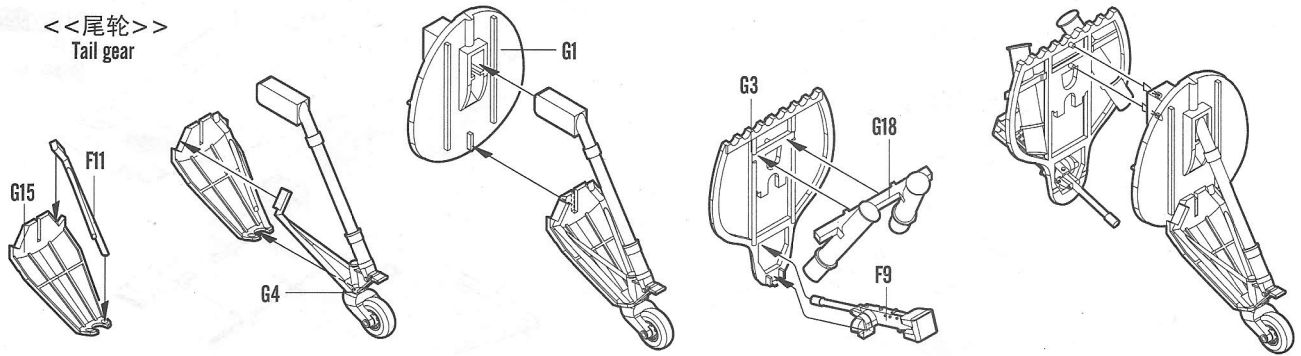


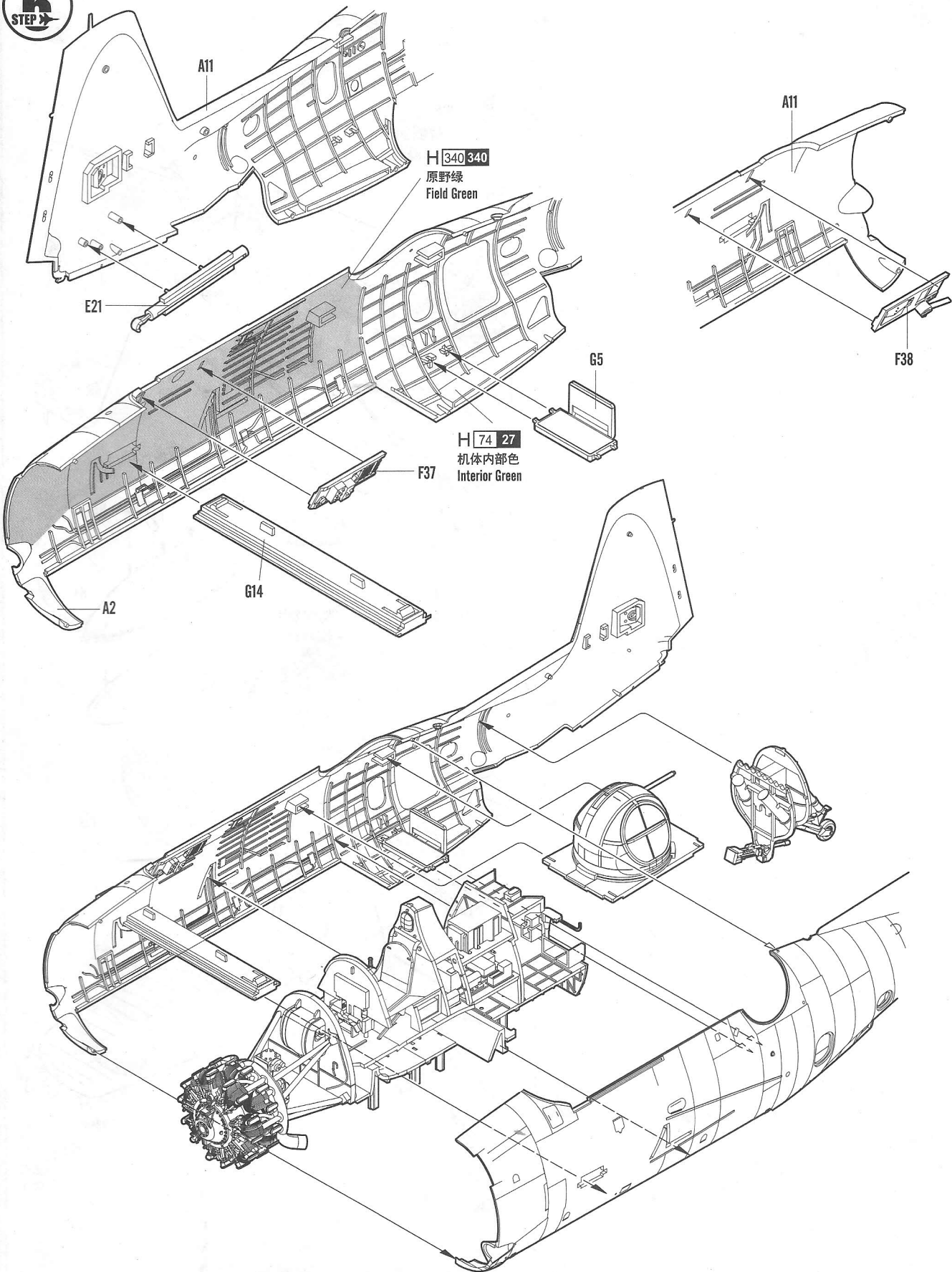
<<座舱>>  
Cockpit





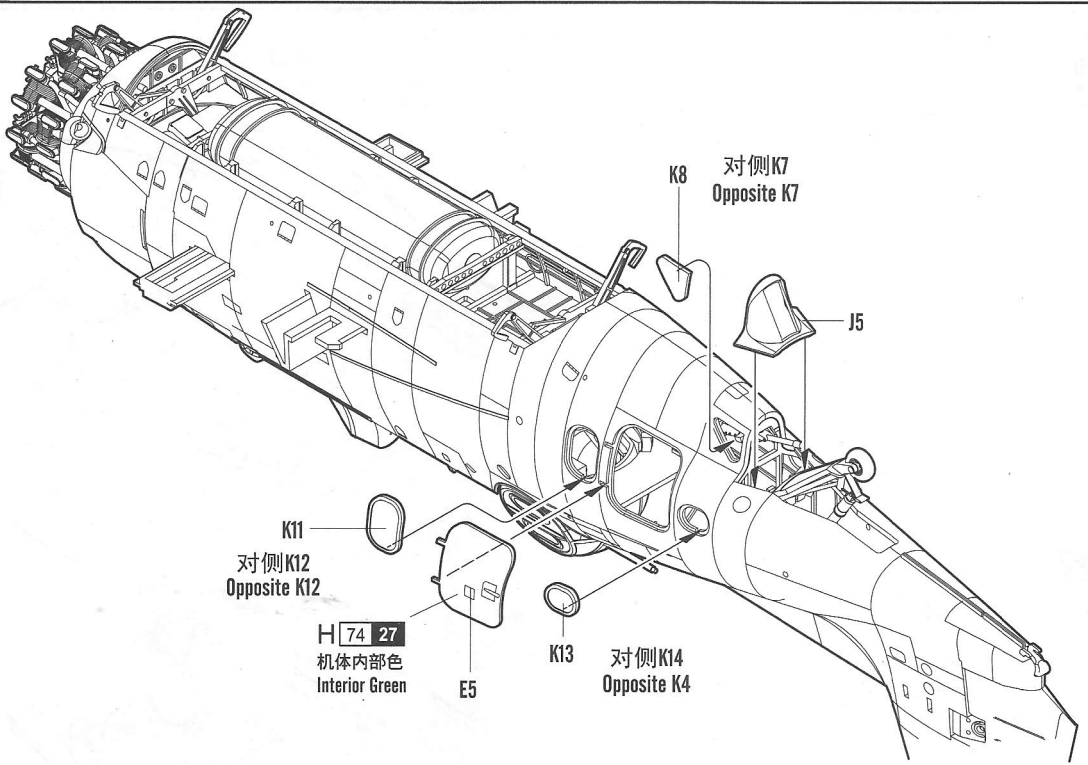
<<尾轮>>  
Tail gear



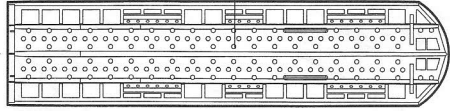




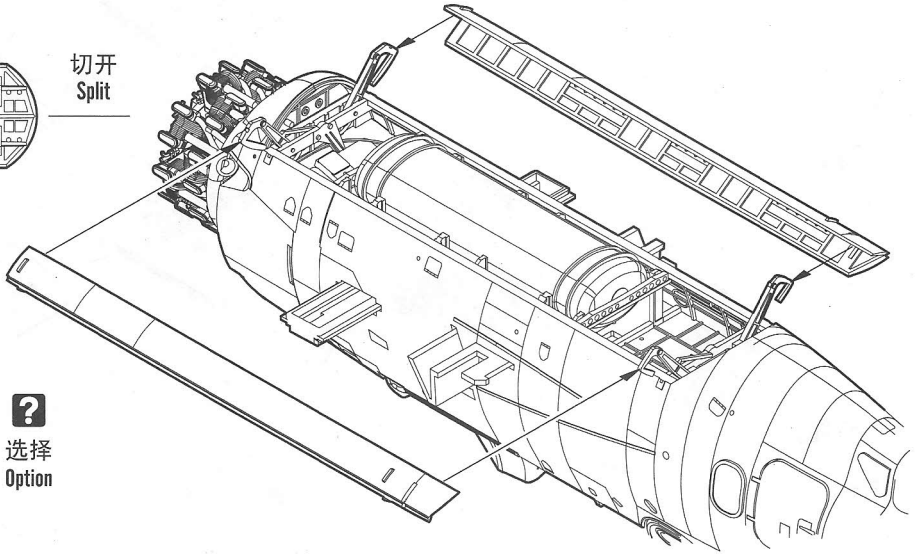
**7**  
STEP



G12



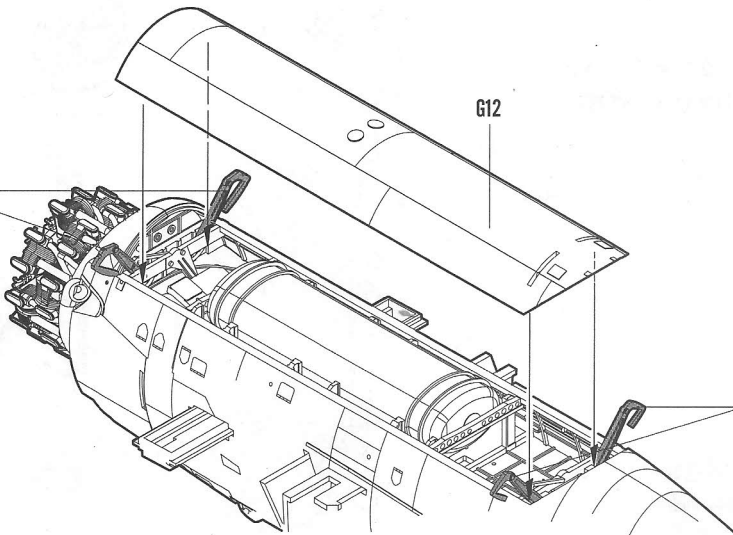
切开  
Split



?  
选择  
Option

折弯  
Bend

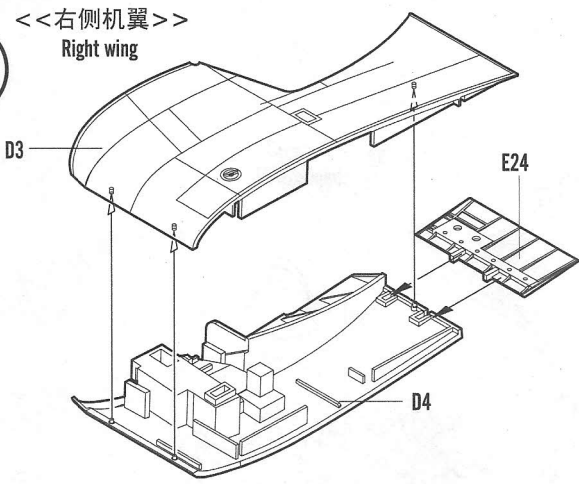
切除  
Remove



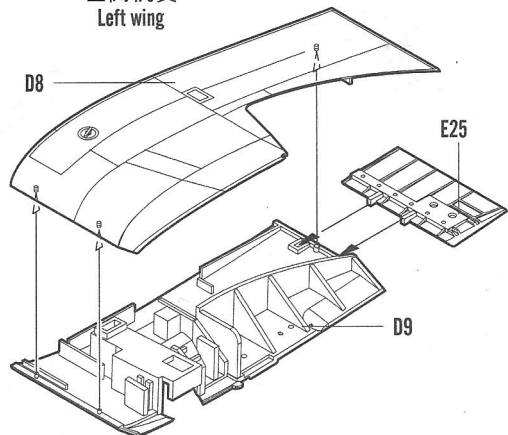
切除  
Remove



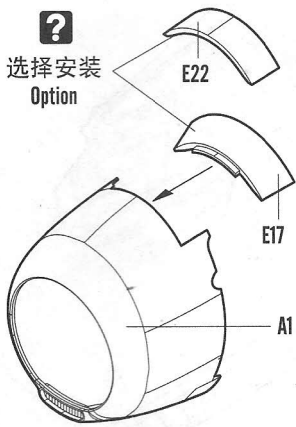
<<右侧机翼>>  
Right wing



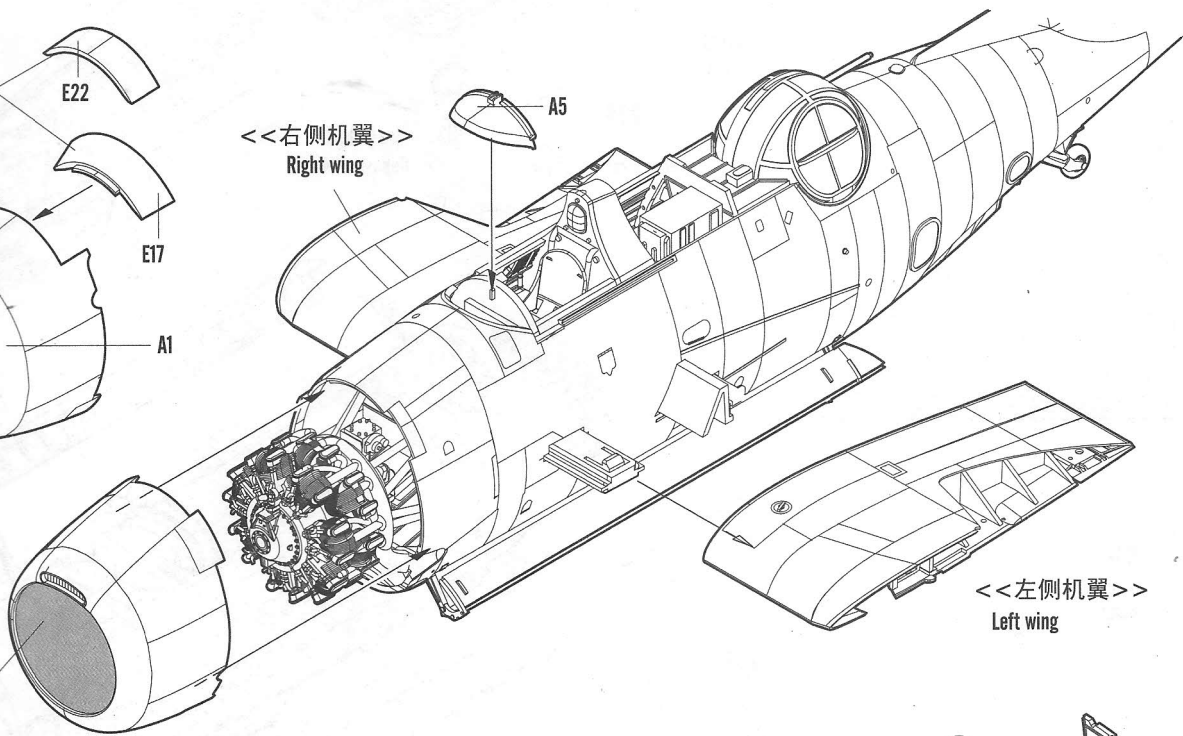
<<左侧机翼>>  
Left wing



选择安装  
Option



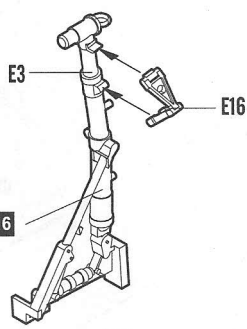
<<右侧机翼>>  
Right wing



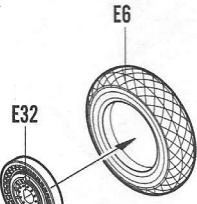
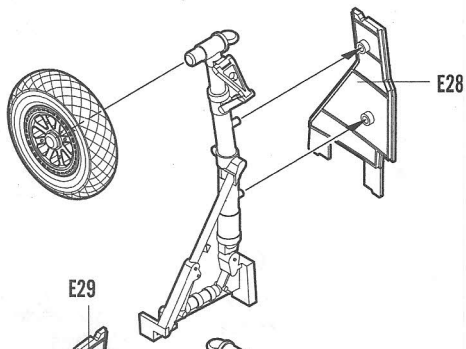
<<左侧机翼>>  
Left wing

H 316 316  
白色  
White

<<右侧主起落架>>  
Right main undercarriage



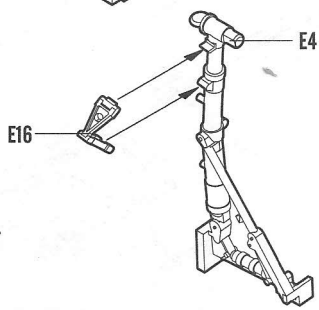
H 316 316  
白色  
White



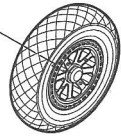
制作2组  
Make two

H 316 316  
白色  
White

<<左侧主起落架>>  
Left main undercarriage



E29



<<左侧主起落架>>  
Left main undercarriage

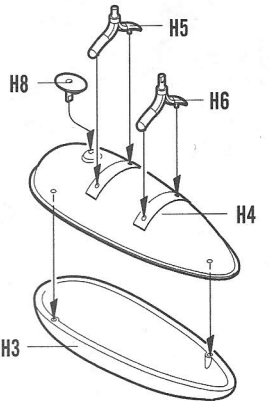
<<右侧主起落架>>  
Right main undercarriage

G16  
对侧G17  
Opposite G17

对侧相同  
Both sides

制作2组  
Make two

A7  
对侧相同  
Both sides



D1+D7

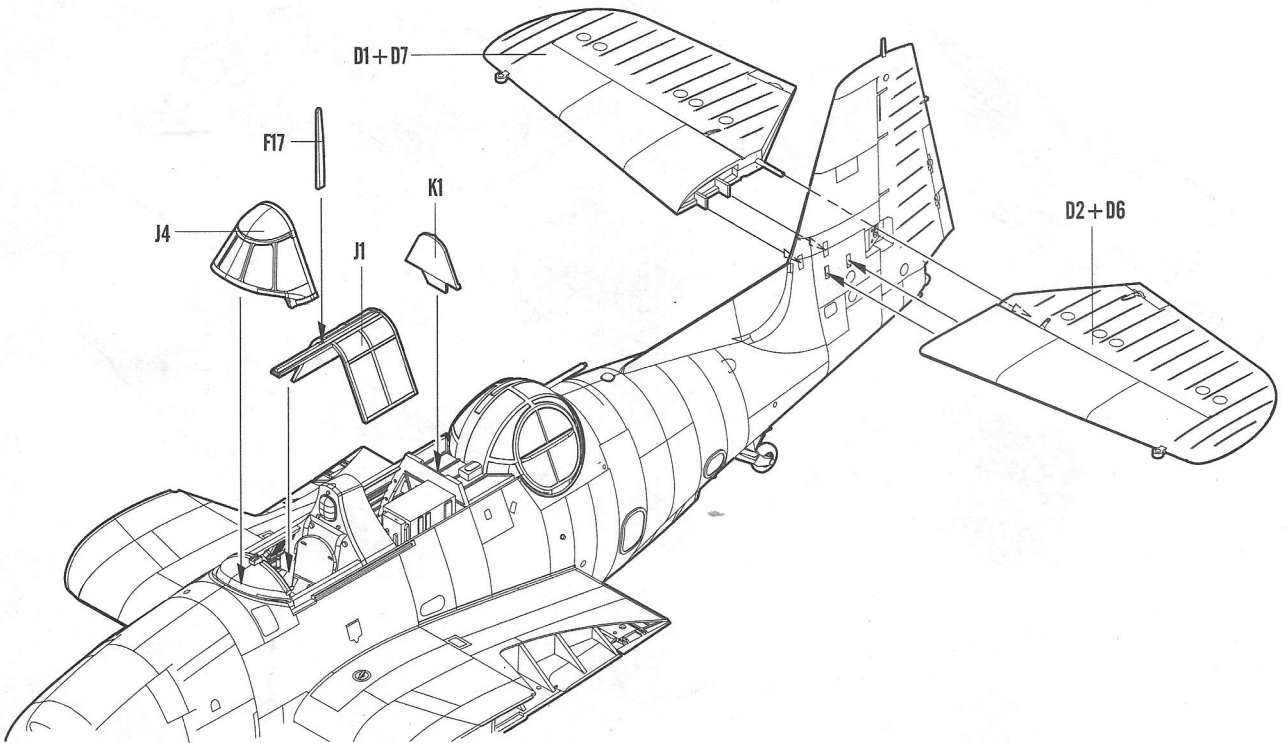
F17

J4

J1

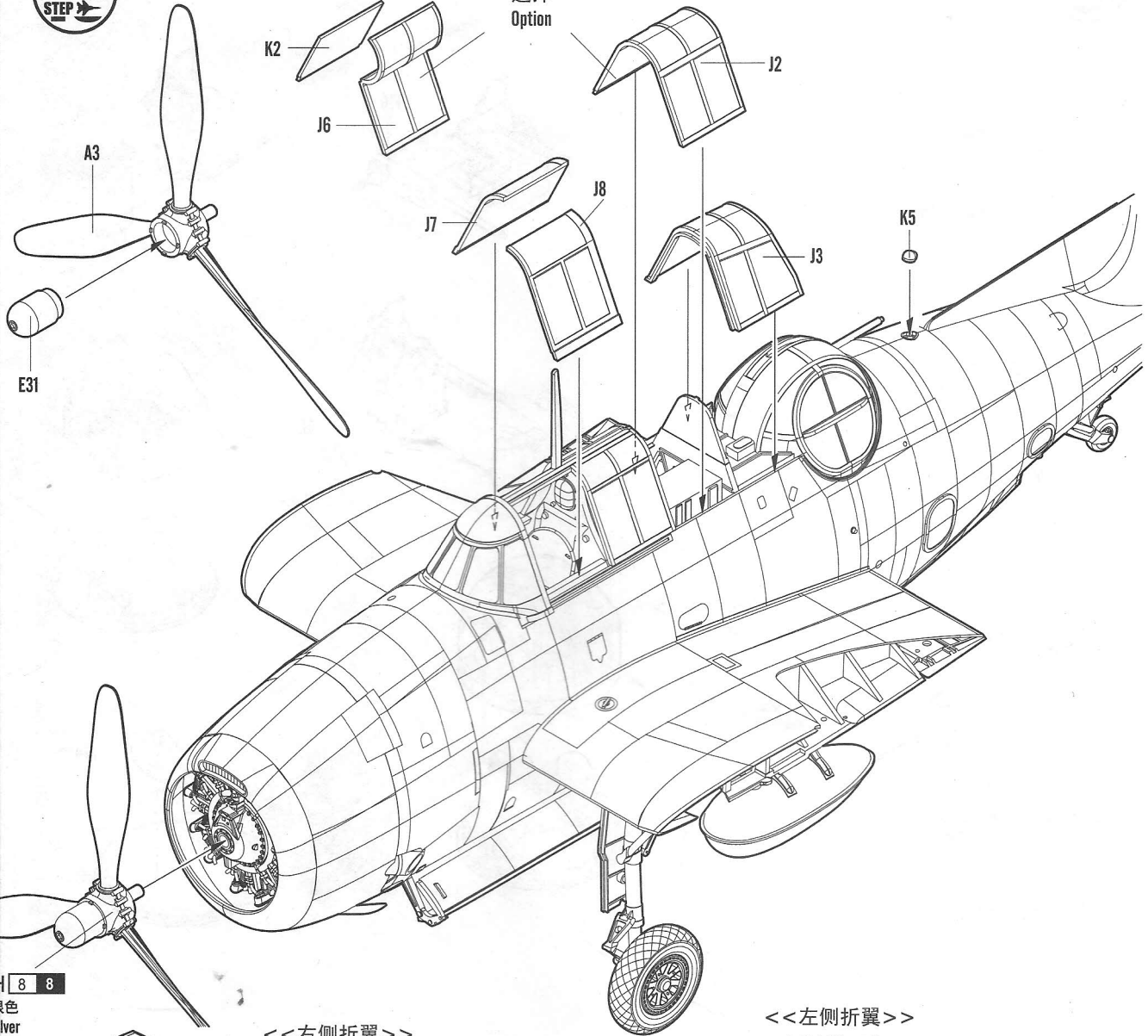
K1

D2+D6



10  
STEP

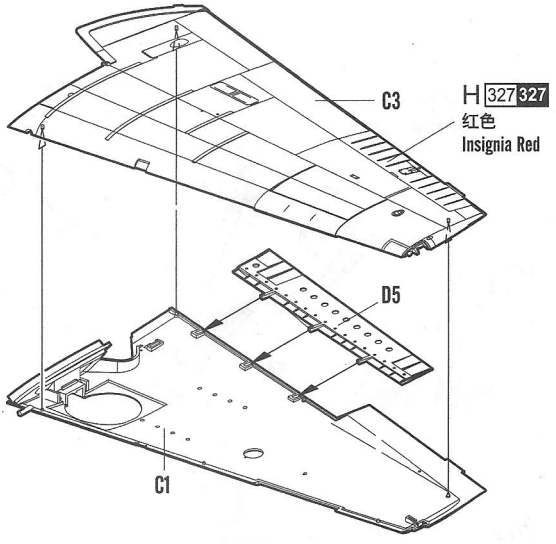
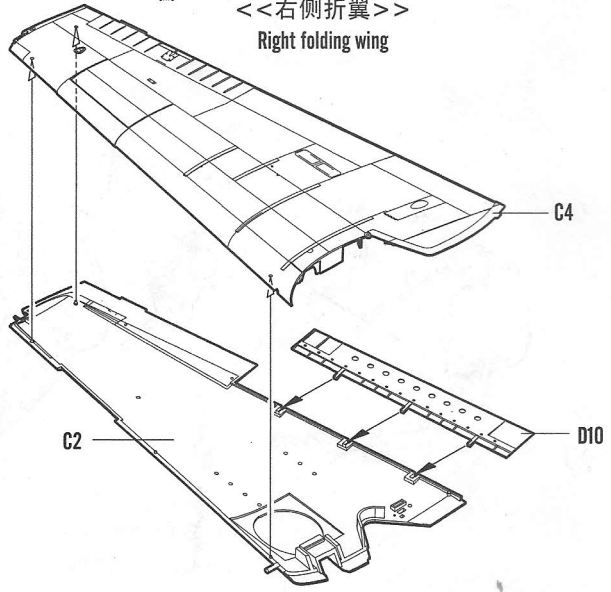
?  
选择  
Option



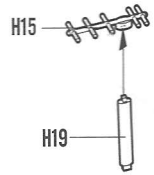
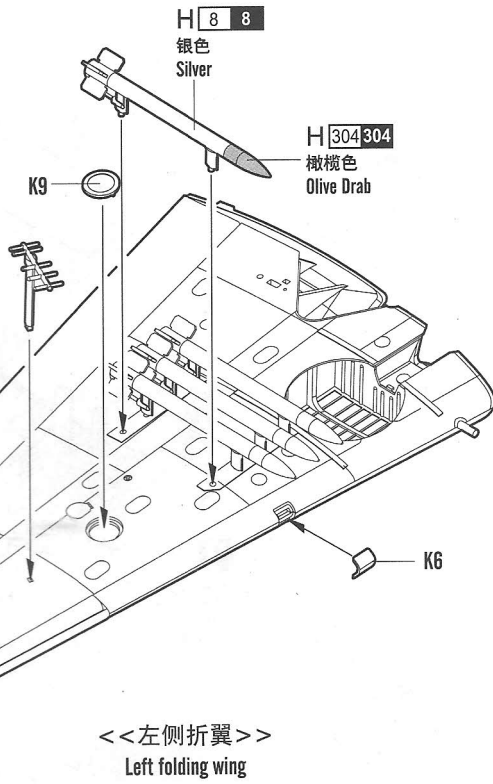
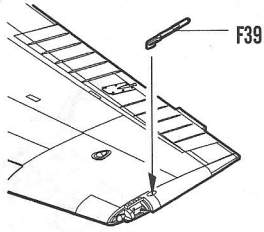
<<右侧折翼>>  
Right folding wing

<<左侧折翼>>  
Left folding wing

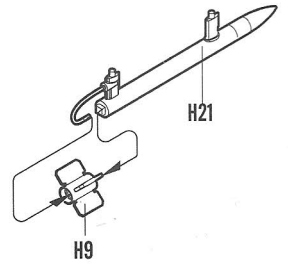
H 8 8  
银色  
Silver



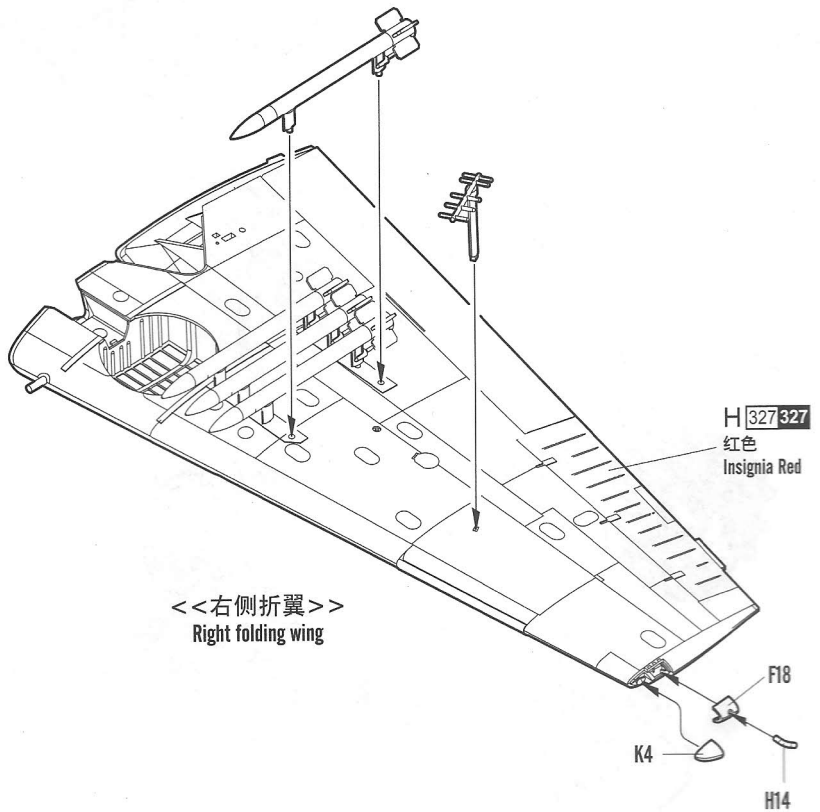
H 327 327  
红色  
Insignia Red



制作2组  
Make two



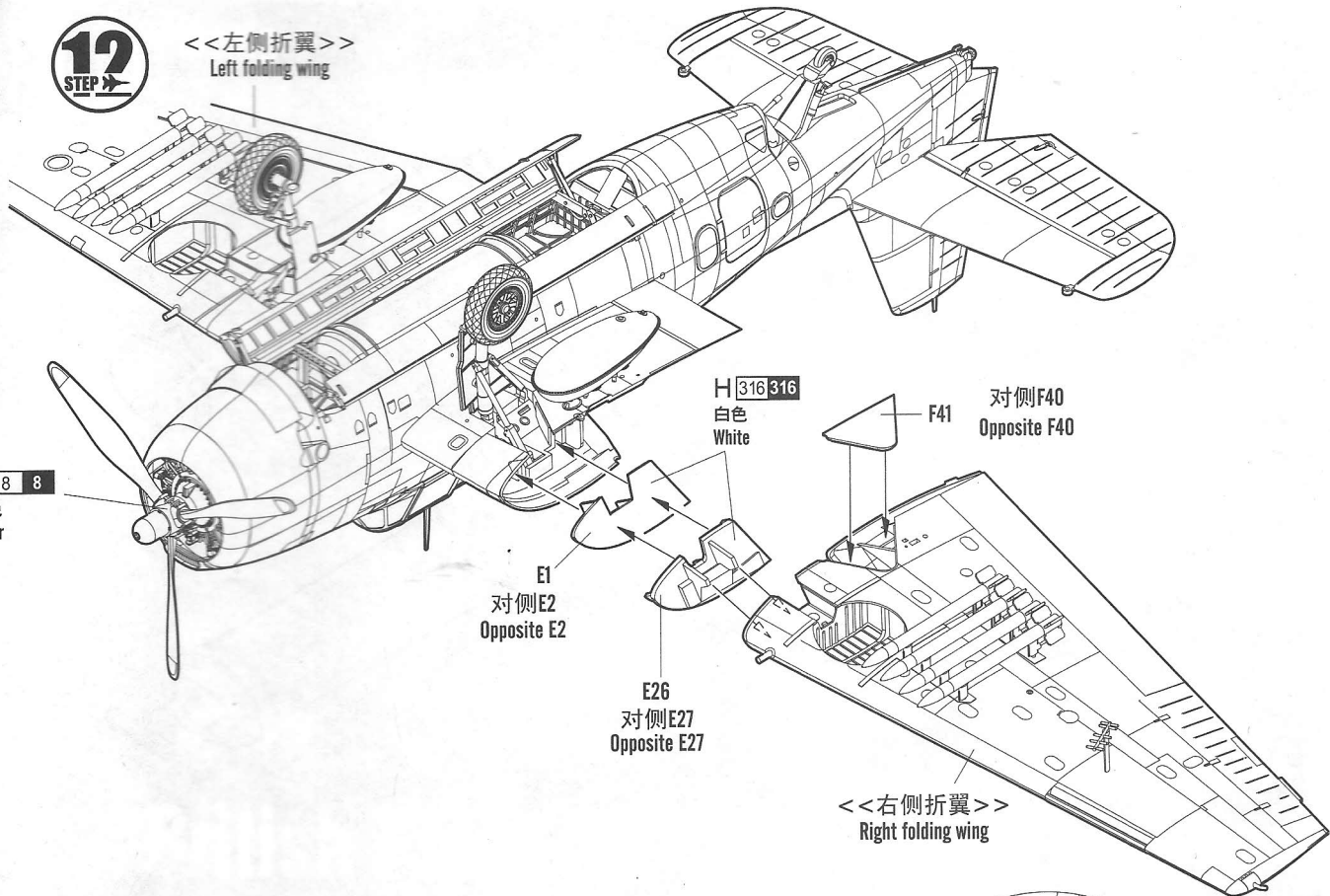
制作8组  
Make eight



12  
STEP

<<左侧折翼>>  
Left folding wing

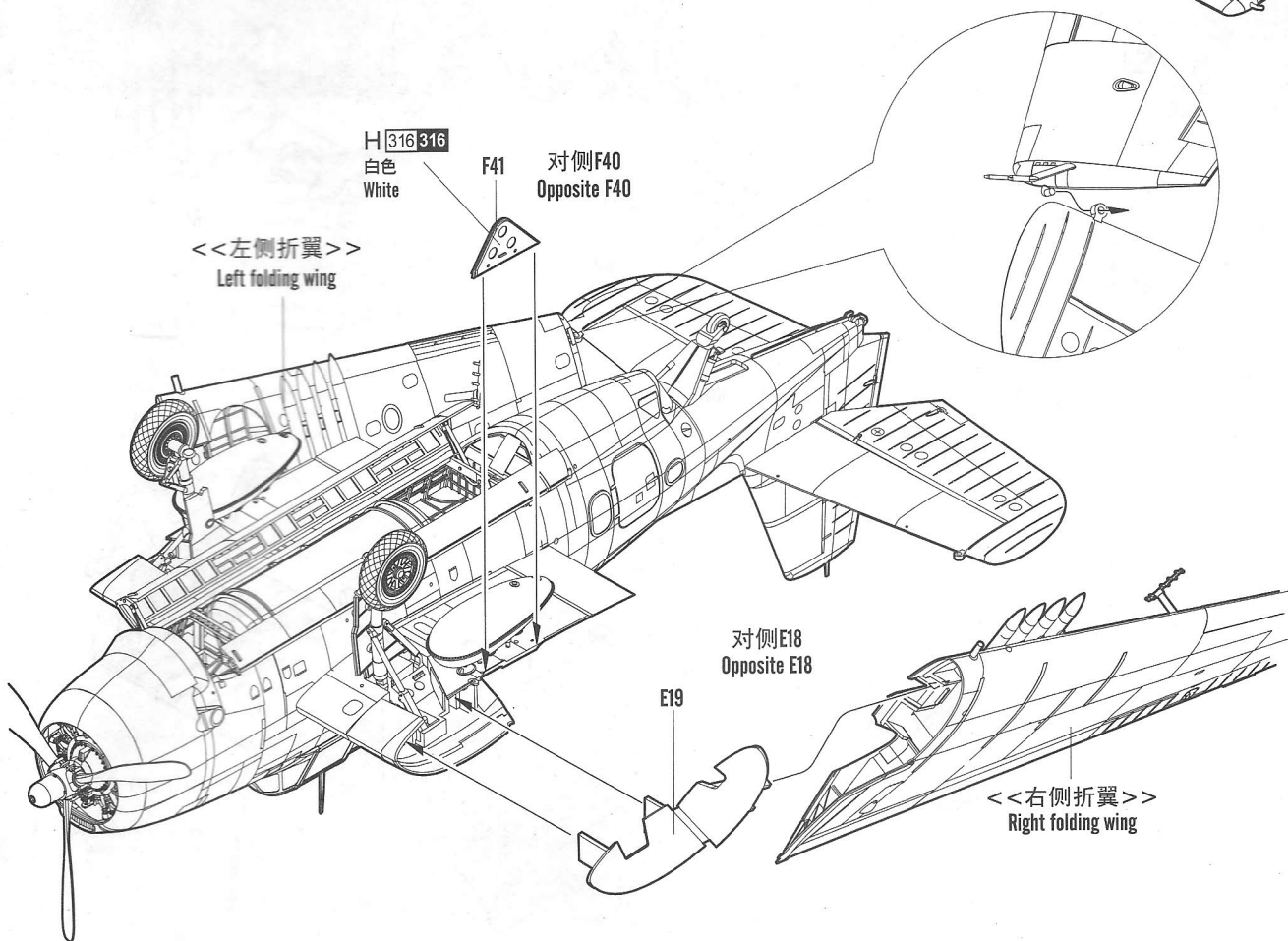
H 8 8  
银色  
Silver



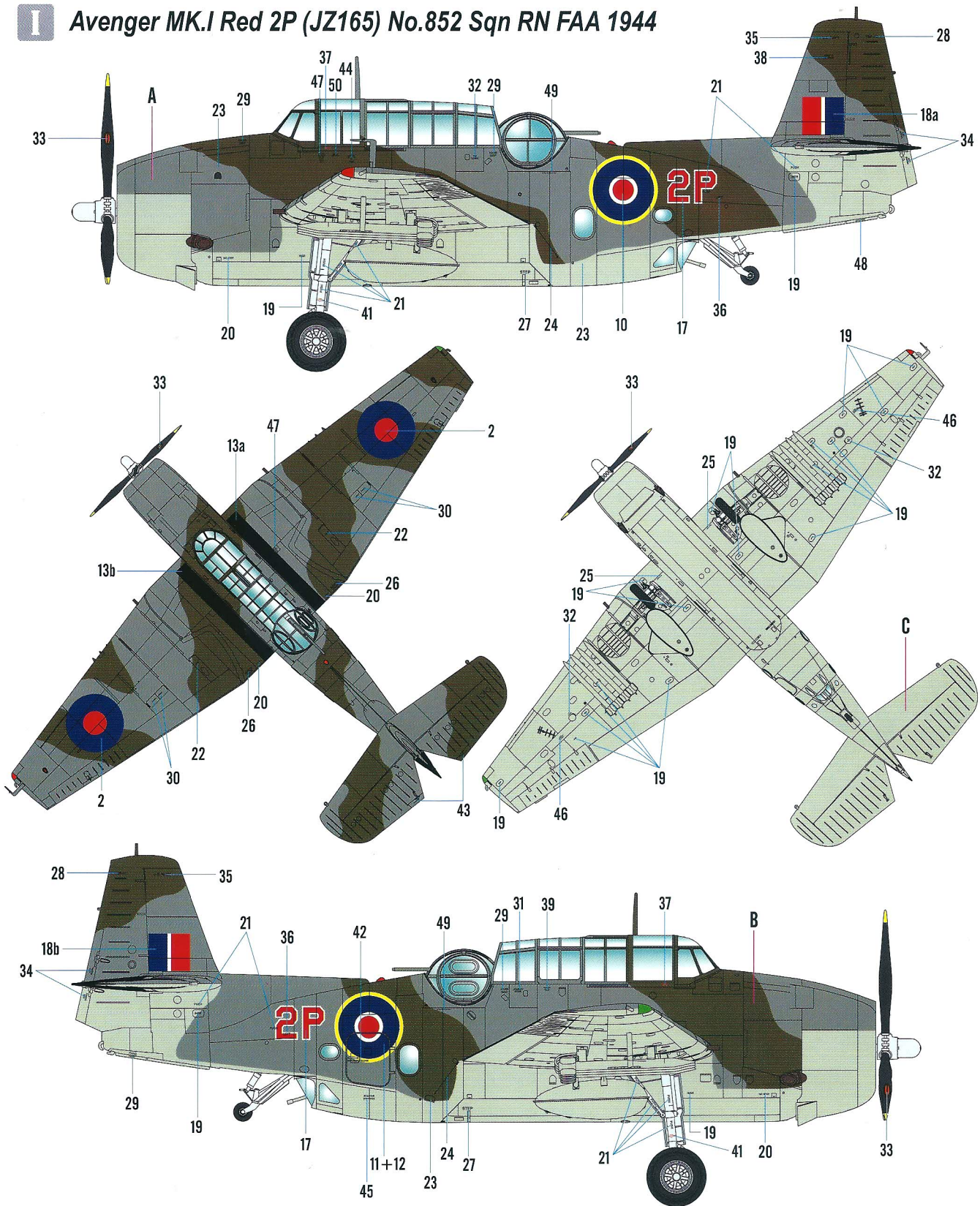
H 316 316  
白色  
White

F41 对侧F40  
Opposite F40

<<左侧折翼>>  
Left folding wing

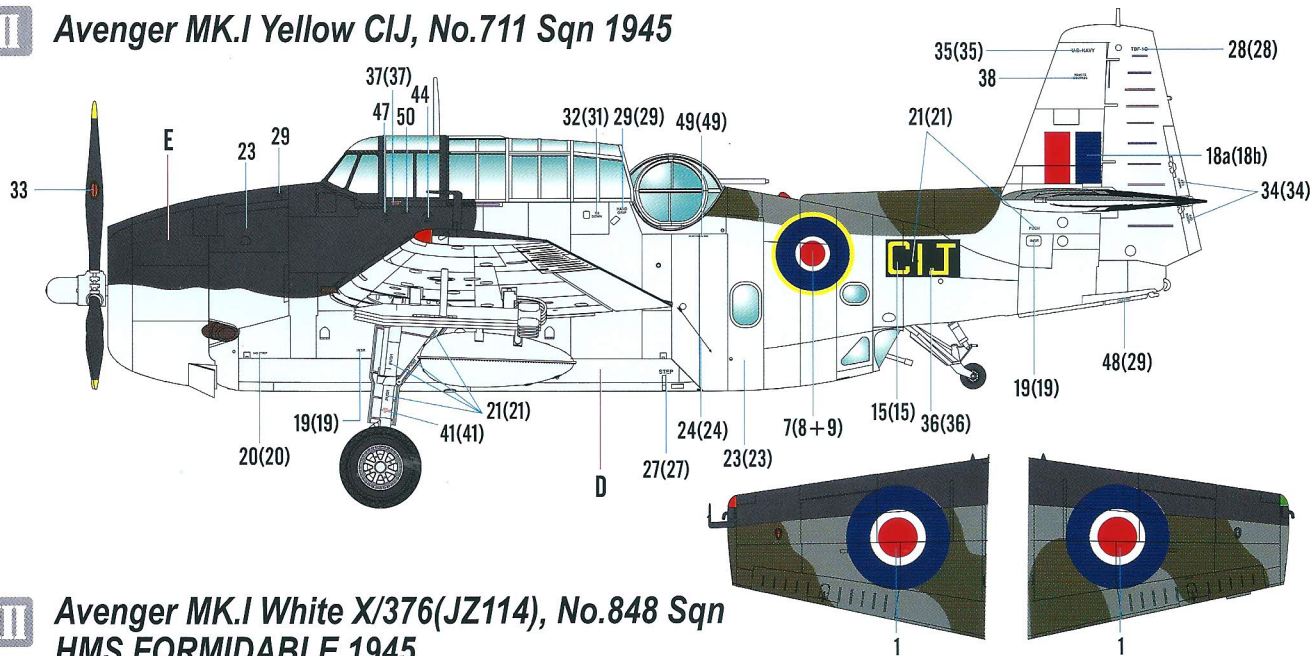


I Avenger MK.I Red 2P (JZ165) No.852 Sqn RN FAA 1944

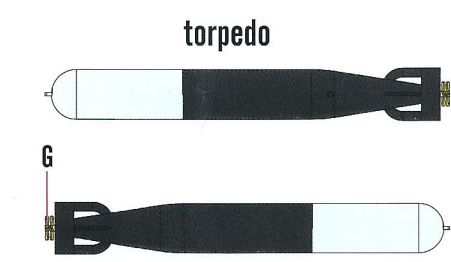
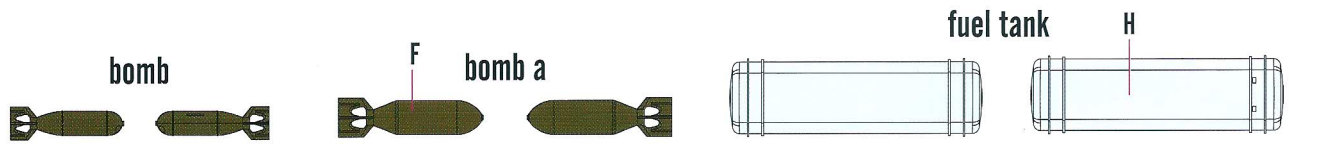
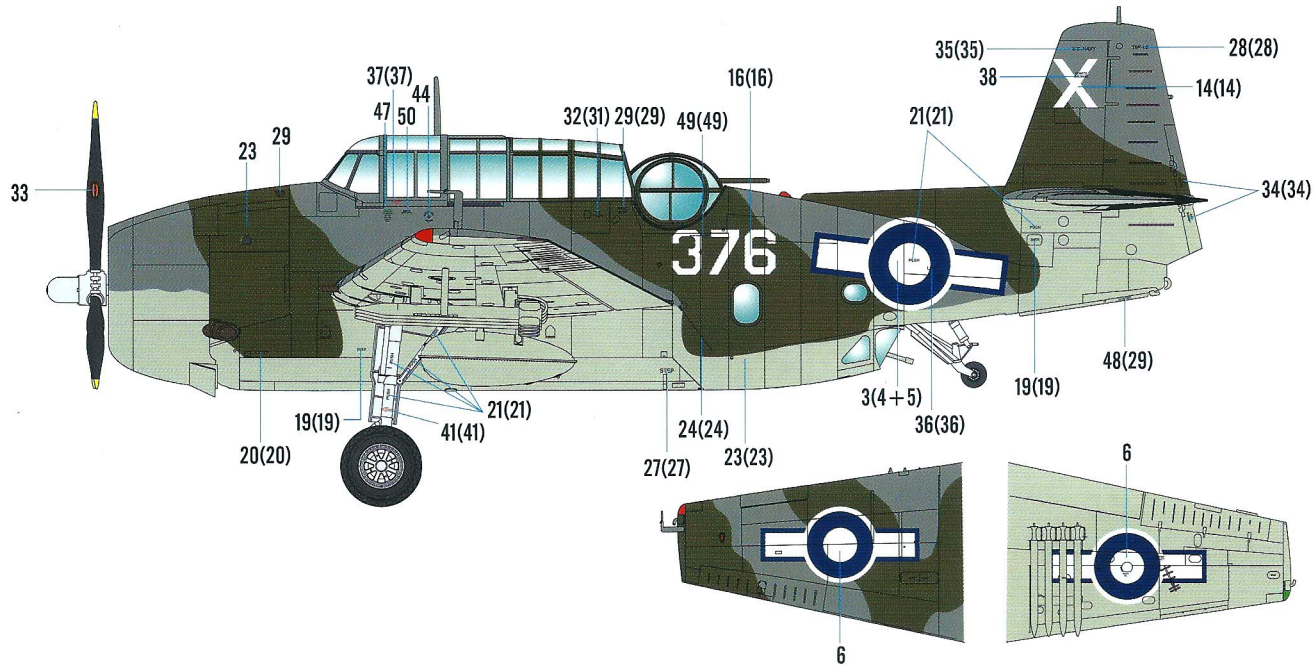


	Color	Mr.Hobby	Vallejo	Model Master	Tamiya	Humbrol
A	深海灰 Dark Seagray	H 331 331	--	--	XF54	164
B	深绿色 Dark Green	H 330 330	892	--	--	163

II Avenger MK.I Yellow CIJ, No.711 Sqn 1945



III Avenger MK.I White X/376(JZ114), No.848 Sqn HMS FORMIDABLE 1945



Color	Mr.Hobby	Vallejo	Model Master	Tamiya	Humbrol
C 天空色 Sky	H [ 24 ]	--	--	--	--
D 白色 White	H [ 316 316 ]	991	1745	X2	22
E 消光黑 Flat Black	H [ 12 33 ]	950	1749	XF1	33
F 橄榄色 Olive Drab	H [ 304 304 ]	887	1711	XF62	155
G 金色 Gold	H [ 9 9 ]	878	1744	XF12	16
H 银色 Silver	H [ 8 8 ]	997	1546	XF1	11