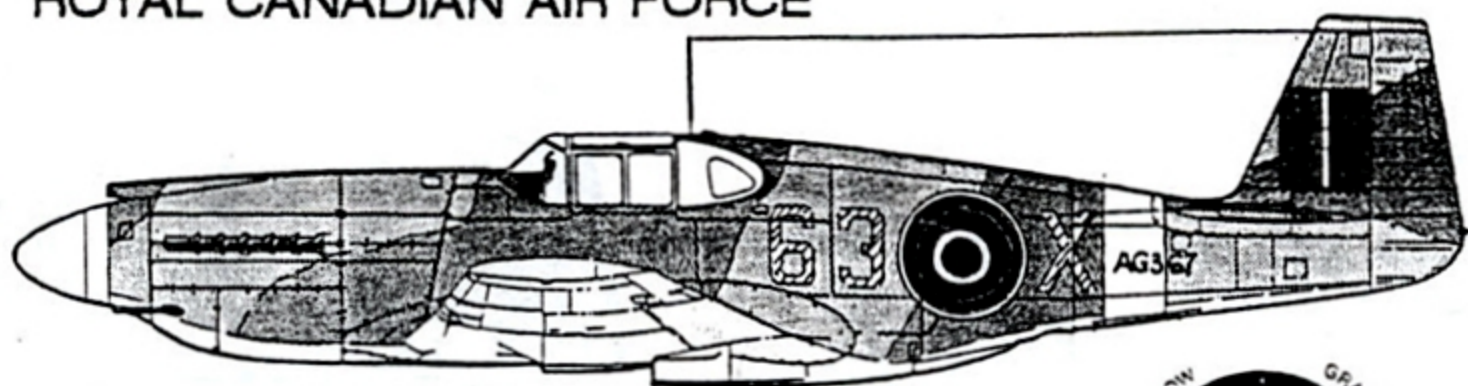


NORTH AMERICAN **MUSTANG** MARK 1

ROYAL CANADIAN AIR FORCE



400 SQUADRON, 1943



IN MID 1942, THREE R.C.A.F. SQUADRONS (400, 414 AND 430) WERE ISSUED WITH MUSTANG 1 AIRCRAFT. THE ROLE OF THE SQUADRONS WAS TO PHOTOGRAPH AND CONDUCT LOW LEVEL ATTACKS ON GERMAN INSTALLATIONS IN FRANCE. A PORTION OF 400 SQUADRON ALSO SERVED THE ROLE OF AN OPERATIONAL TRAINING UNIT.

THE ALLISON POWERED, MARK 1 MUSTANG HAD A .50 CAL. BROWNING ON EACH SIDE OF THE ENGINE. EACH WING CONTAINED A .50 INBOARD OF TWO .30 CAL. BROWNING MACHINE GUNS. 620 MUSTANG 1'S HAD BEEN DELIVERED TO BRITAIN BY JULY OF 1942..

BY LATE 1943, CANADIAN SQUADRONS WERE BEING DEPLOYED IN A TACTICAL ROLE. THEIR MUSTANGS TOOK ON THE VARIOUS TASKS, INCLUDING LOW-LEVEL BOMBER ESCORT, PHOTO RECONNAISSANCE, AND ATTACK FIGHTER/BOMBERS. BY LATE 1944 THE SQUADRONS WERE CONVERTING TO SPITFIRES OR MOSQUITO'S.

IT IS INTERESTING TO NOTE THAT AT LEAST SIXTY ALLISON POWERED MUSTANGS WERE STILL IN R.A.F. SERVICE AT THE END OF HOSTILITIES. THIS SET OF MARKINGS WILL ALLOW YOU TO MODEL A MUSTANG 1, OF 400 SQUADRON R.C.A.F., IN OPERATIONAL TRAINING UNIT LIVERY.

ASK TO SEE OTHER DECAL SHEETS FROM YOUR DEALER
OR WRITE TO

ARROW GRAPHICS

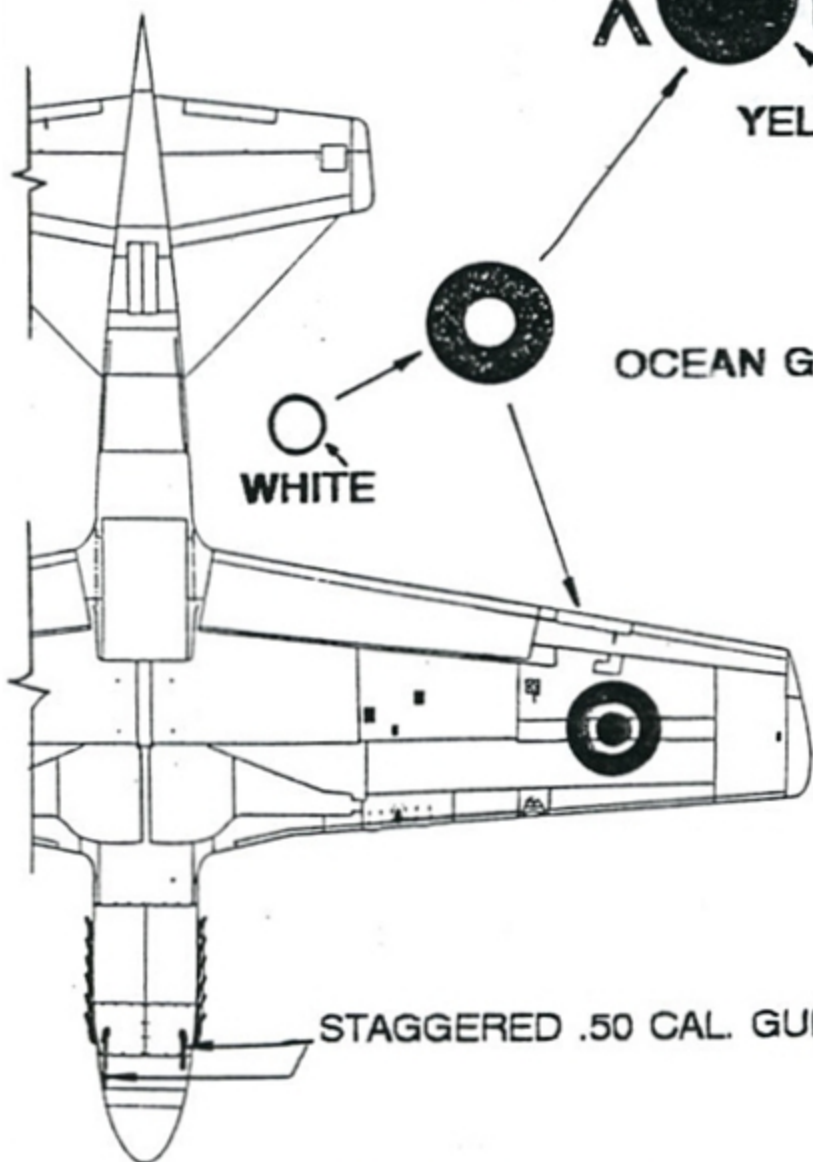
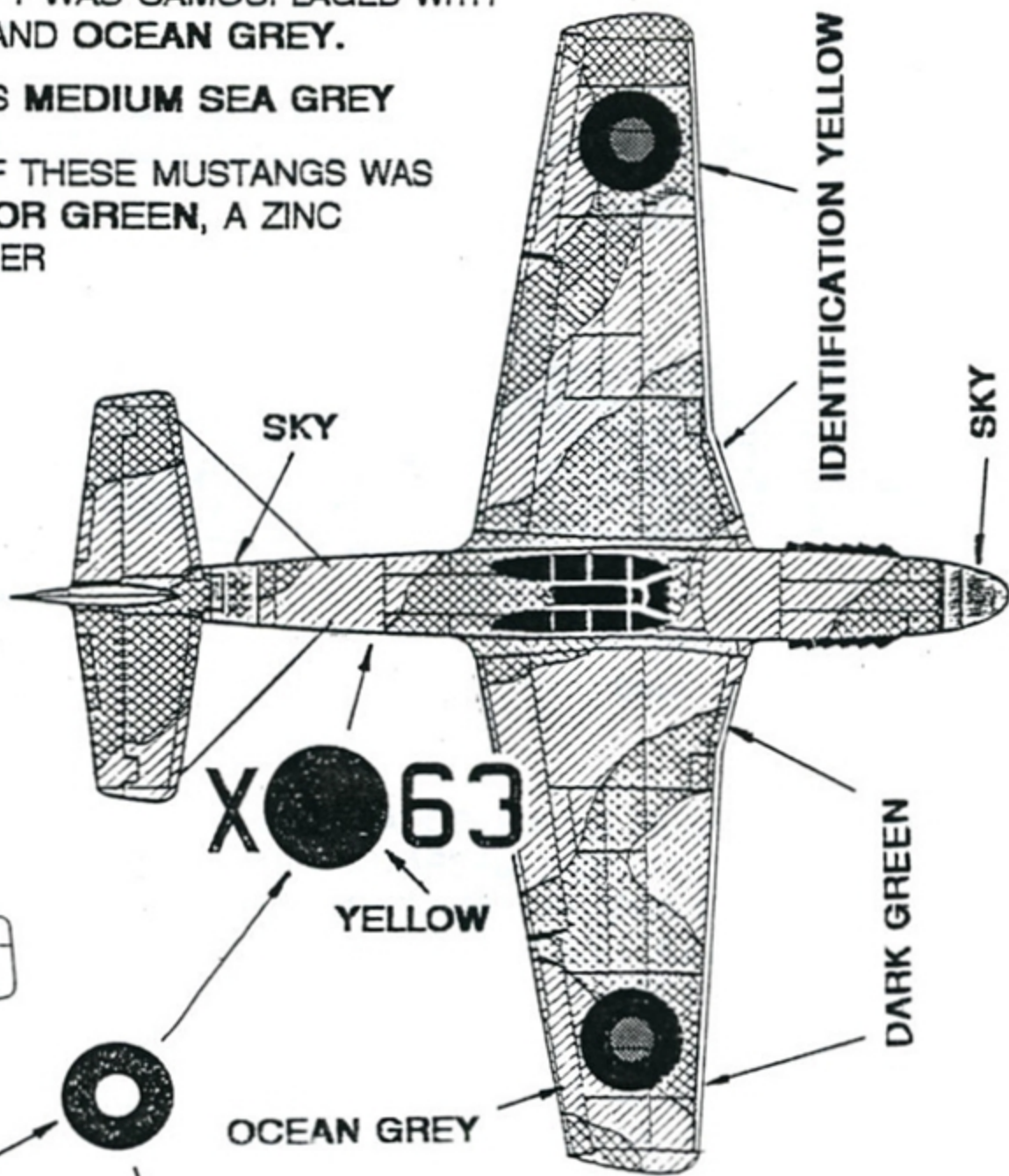
R. R. NO 1
YORK, ONTARIO
N0A 1R0
(905) 692-4921

TOP OF AIRCRAFT WAS CAMOUFLAGED WITH
DARK GREEN AND OCEAN GREY.

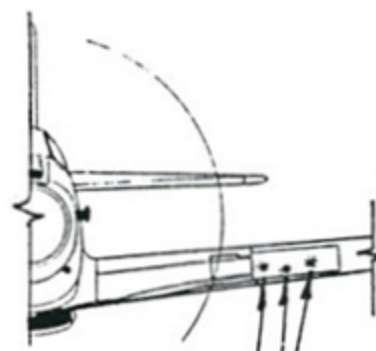
UNDERSIDE WAS **MEDIUM SEA GREY**

THE INTERIOR OF THESE MUSTANGS WAS
PAINTED **INTERIOR GREEN**, A ZINC
CHROMATE PRIMER

FACE OF
INSTRUMENT
PANEL AND
TOP OF COWL
ABOVE IT
WERE **FLAT
BLACK OR
DARK OLIVE
GREEN**



NOTE; **RED** OF
FIN FLASH TO
FRONT OF
AIRCRAFT



SPECIAL THANKS TO **RALPH CLINT** FOR ALLOWING USE
OF HIS SUPERB DRAWINGS OF THE MUSTANG. ALSO TO
MARK BURLEY, BILL COFFMAN, BOB KEEGAN AND
MARTIN MYERS FOR THEIR INPUT ON THIS PROJECT

INNER GUN .50 CAL
STAGGERED .30 CAL GUNS