



Photo by: Jake Melampy

F-16DG/DJ - Block 40/50 USAF Viper

The F-16 is a lightweight, compact fighter aircraft designed to perform a wide range of military mission profiles. More than 4,000 F-16s have been or will be produced for 24 nations worldwide. The first F-16A achieved initial operational capability in 1979. As of 2004, more than 11 million flight hours have been logged by F16s from 20 air forces worldwide. The United States Air Force remains the world's largest operator for the type with more than 1,200 units in service of all models. USAF's Block 50/52 cumulative mishap rate was 2.3 losses/mishaps per 100,000 flight hours in FY2004.

In air-to-air engagements the F-16 is highly maneuverable and in the air-to-surface role the aircraft has demonstrated the capability to accommodate any guided and unguided weapon. It carries internally a 20mm M61A1 gun for close-in air-to-air engagements. In addition, the F-16C/D is able to launch the AIM-9 Sidewinder and medium-range AIM-120 AMRAAM missiles. To deliver precision guided munitions the F-16C/D can accommodate the LANTIRN targeting/navigation pod system, as well as the LITENING and others. The targeting and navigation pods have provided day and night, all-weather strike capability to the F-16 all along its service life.

The F-16C/D multi-role fighter can fly deep inside enemy territory, deliver precision guided munitions in non-visual conditions and defend itself against enemy aircraft even in day and night, adverse weather. This performance was demonstrated for the first time during the Gulf War in 1991. F-16C/Ds played a vital role during air campaigns over the former Yugoslavia (1999), Afghanistan (2001), and recently Iraq (2003).

The two-seat Block 50 F-16D, also known as F-16DJ, is a Block 40 follow-on with more powerful engine models and new weapon options. The US Air Force has integrated the HTS pod in some F-16DJs for suppression of enemy air defenses using the HARM missile. The Block 50 F-16D was deployed in 1991.

The US Air Force Block 50 F-16D will receive the advanced Sniper XR targeting/navigation pod replacing older systems currently in the US inventory, as well as software updates for integration of smart munitions such as AGM-154, JDAM bombs, and AGM-158. The US Air Force expects the F-16DJ to remain in service until 2025.

Beginning Summer 2004, US Air Force and five European Participating Air Forces (EPAFs) - Belgium, Denmark, the Netherlands, Norway and Portugal - operating the F-16 aircraft received the a new software packages called M3+ by the US Air Force and the corresponding EPAF version designated M3. The most notable new capabilities added to F-16s thru the M3/M3+ software packages were Link 16 data link and the helmet mounted cueing system (HMCS). USAF F-16 capabilities under

M3+ encompassed AGM-158 long-range attack missile and Sniper XR targeting pod, while European F-16s gained the capability to deliver JDAM bombs.

More than 200 USAF Block 50 F-16C/Ds modified thru the Common Configuration Implementation Program (CCIP) were scheduled to receive the M3+ software package at the Ogden Air Logistics Center, Utah. Approximately 400 USAF Block 40 F-16C/Ds were scheduled to follow the same upgrade beginning in 2006. By the way, about 350 European F-16A/Bs will receive hardware and M3 software upgrades at depot facilities in each participating country. In addition to the M3/M3+ update initiated in March 2000, the F-16 software updates roadmap the M4/M4+ to be released in 2007 and the M5/M5+ to be released in 2009.

F-16 Block 50 Common Configuration program focuses on five major components: a new mission computer for increased processor power; color displays improving pilot-aircraft communication; an air-to-air interrogator to allow communication of the F-16 with other aircraft that appear on its radar; internet-like system to enhance communication with coalition aircraft; and helmet-mounted display to better visualize information and to allow the pilot lock on a given target by looking at it. The scope of the program is to modify 650 US Air Force and National Guard F-16s through 2010 with a total estimated cost in excess of \$2 billion.

In February 2002, Chile signed an agreement with the US government on the purchase of 10 advanced Block 50 F-16C/D (6 single-seat and 4 twin-seat) aircraft which translated into Peace Puma foreign military sales program. The agreement included the F110-GE-129 engine. The first aircraft was completed in early April 2005 with the first flight expected summer 2005. The first two F-16 Peace Puma aircraft were delivered to the Chilean Air Force January 24, 2006. Peace Puma program was valued at \$547 million including aircraft and a weapons package consisting of AIM-9, AMRAAM and JDAM.

In May 2002, the Sultanate of Oman signed an agreement with Lockheed-Martin for 12 Advanced Block 50+ F-16C/D aircraft to be delivered beginning in 2005 through 2006. Under (Clear Skies) Foreign Military Sales program eight single seater F-16Cs and four tow-seat F-16Ds powered by the General Electric F110-GE-129 engine will be delivered to the Royal Air Force of Oman (RAFO).

For more detail information about F-16D in USAF/ANG, please reference "THE VIPER STORY, PART I: F-16s of the Air National Guard". <http://www.reidairpublishing.com>

H1 GSI Creos Aqueous Hobby color **1** GSI Mr.Color

Glue is not included in this kit.

! CAUTION

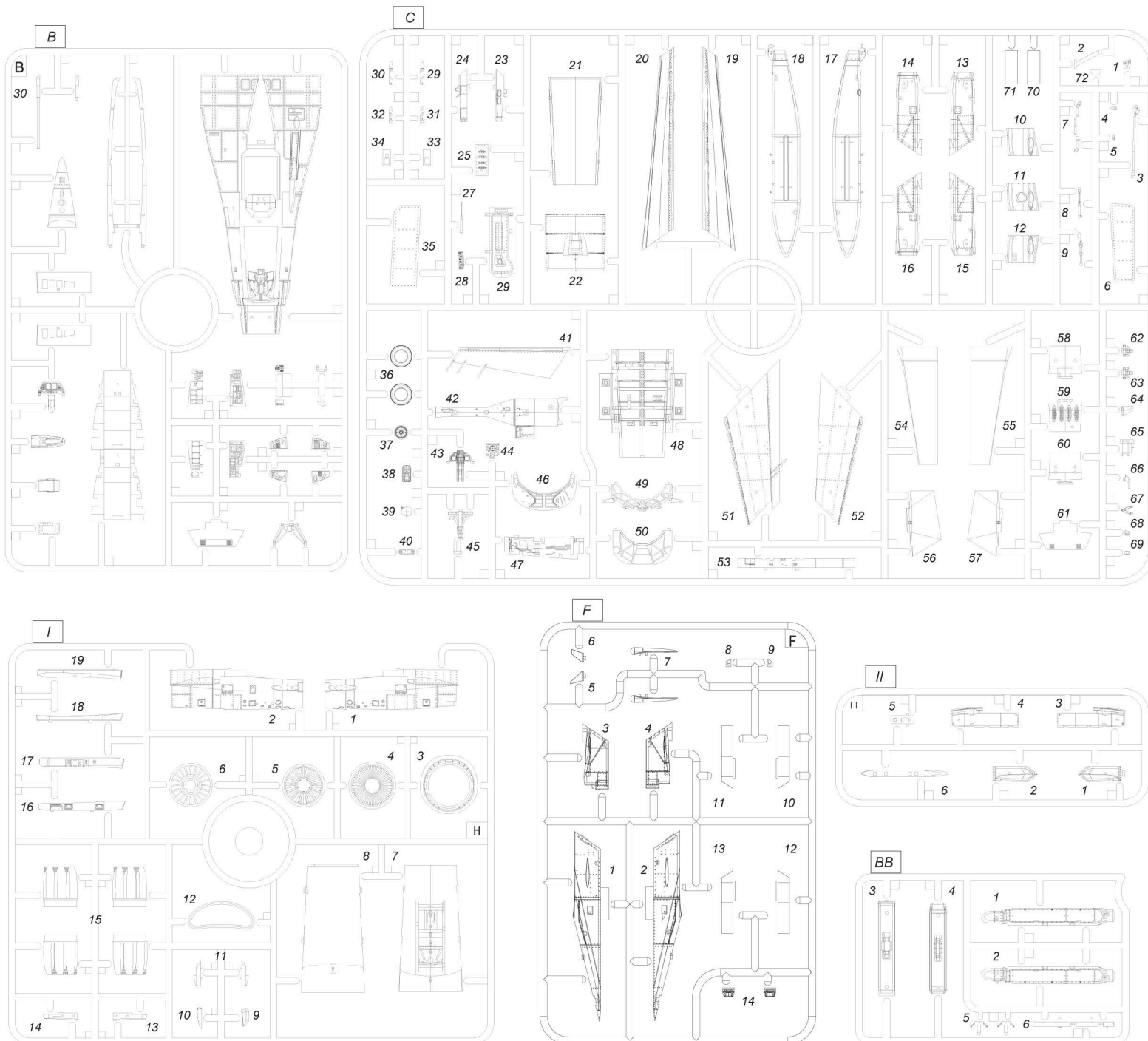
*Read carefully and understand fully the instructions before commencing assembly.

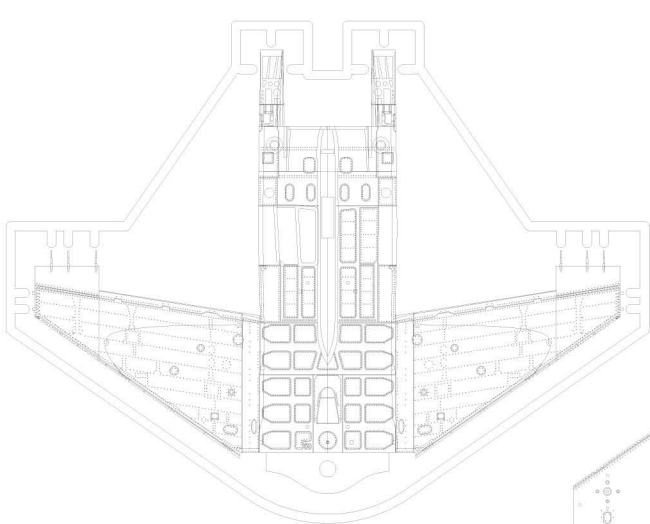
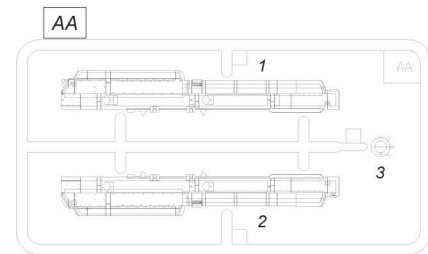
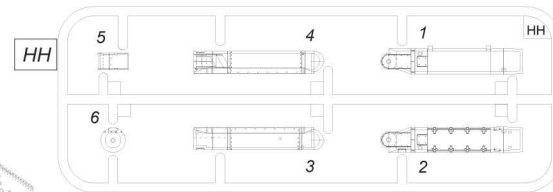
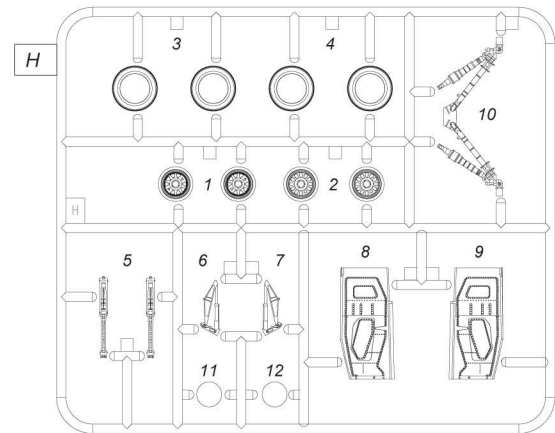
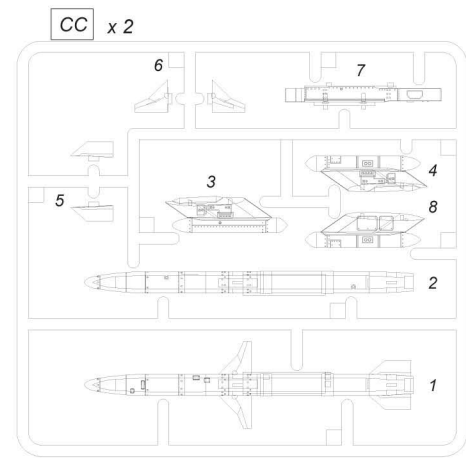
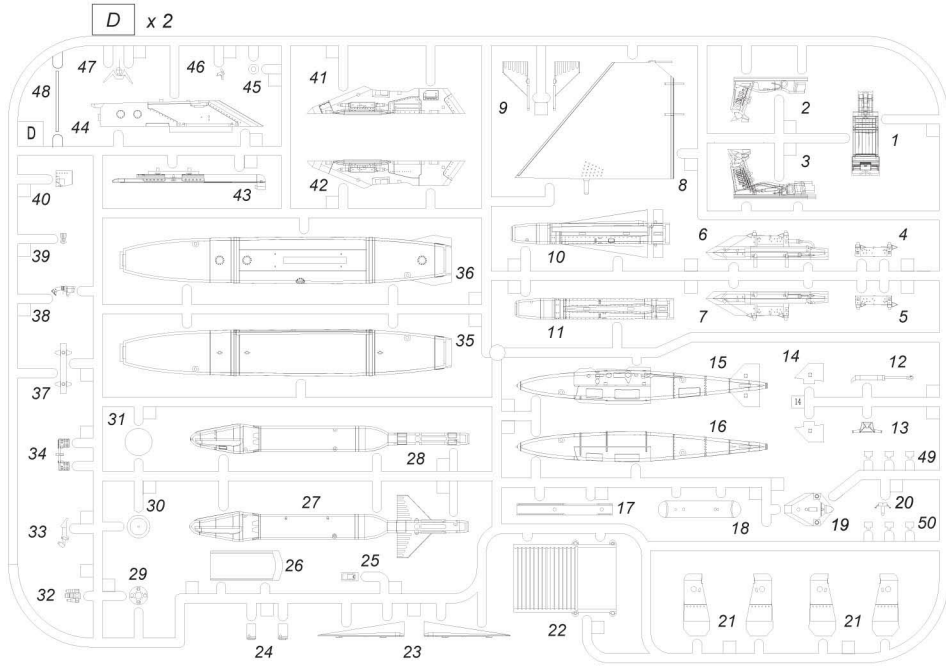
*Keep out of reach of children. Children must not be allowed to put any parts in their mouths, or pull plastic bag over their heads.

*When using adhesives and paints, please make sure not to use them in closed room or near the fire.

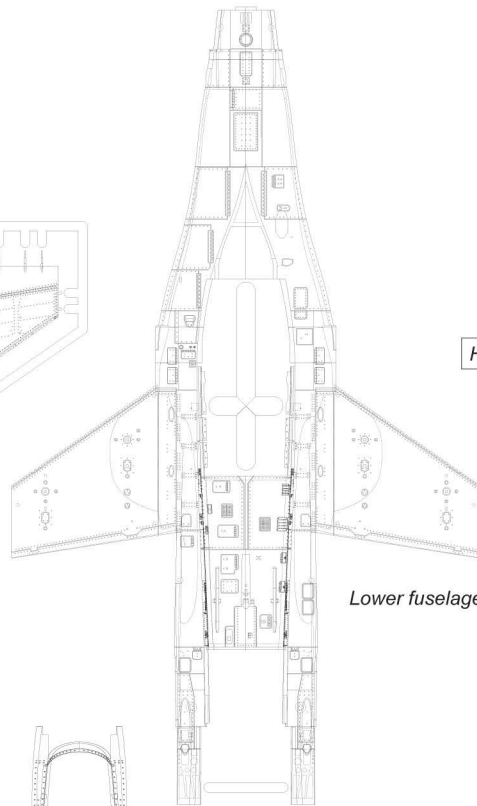
*When assembling this kit, tools including knives are used. Extra care should be taken to avoid injury.

WARNING: CONTAIN SMALL PARTS NOT FOR CHILDREN UNDER 14 YEARS OF AGE.

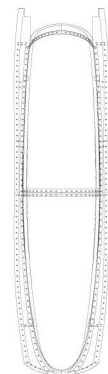
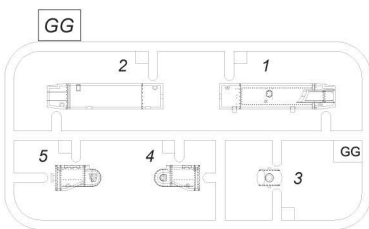




Upper fuselage



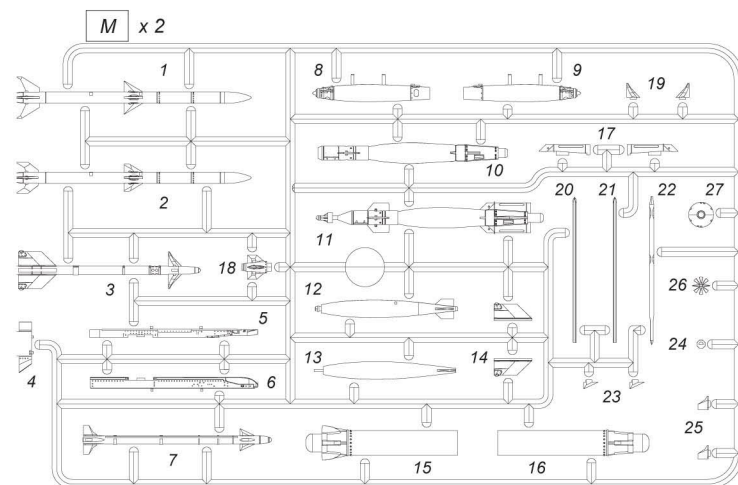
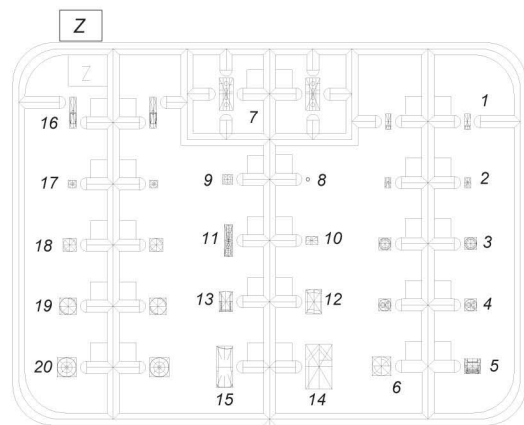
Lower fuselage



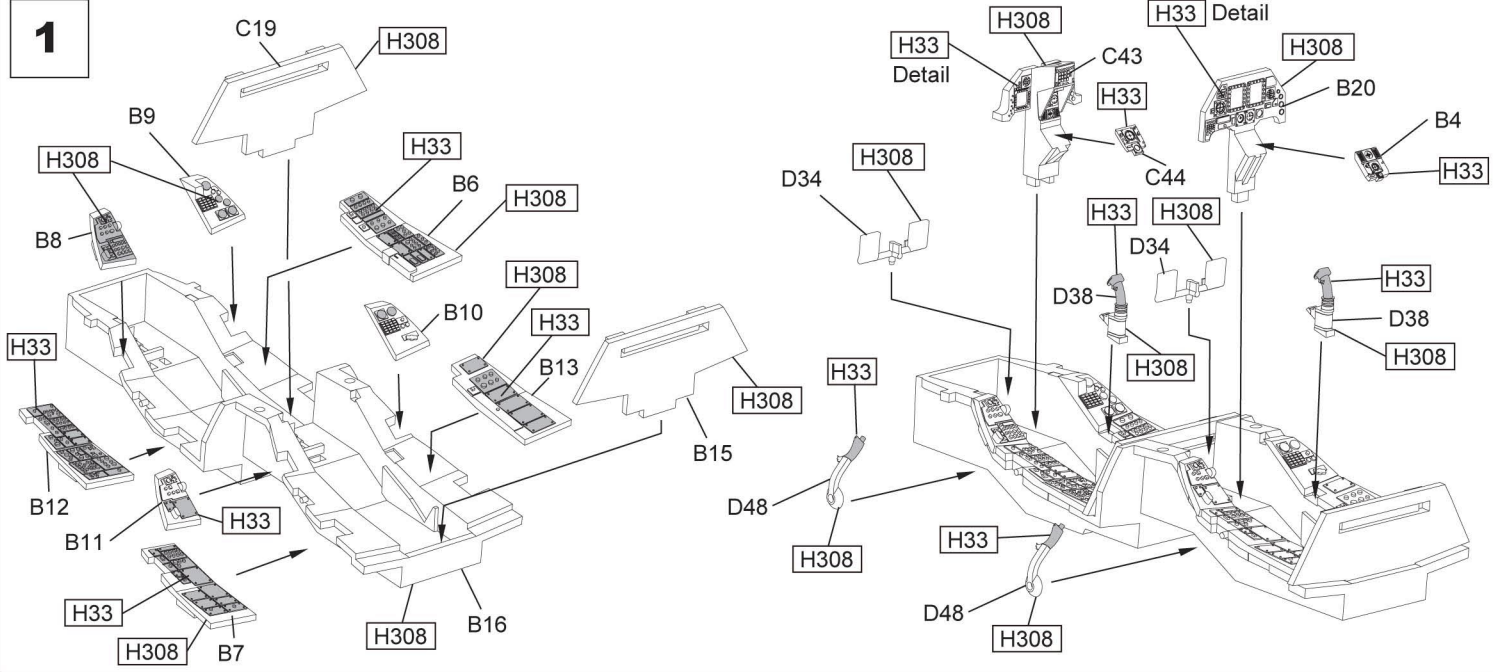
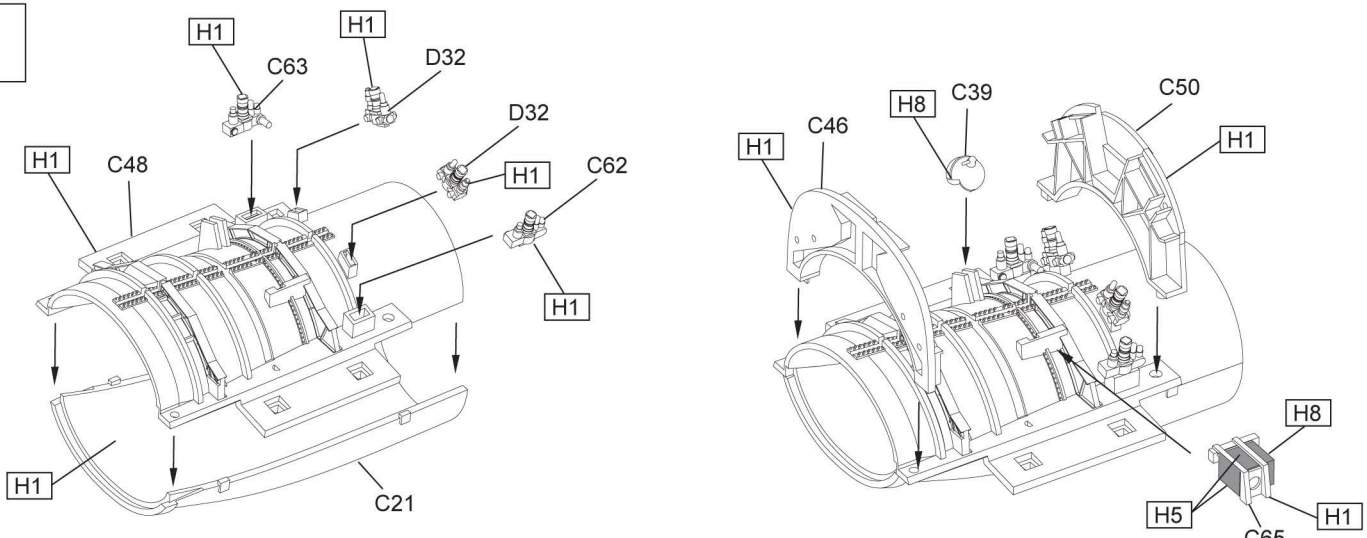
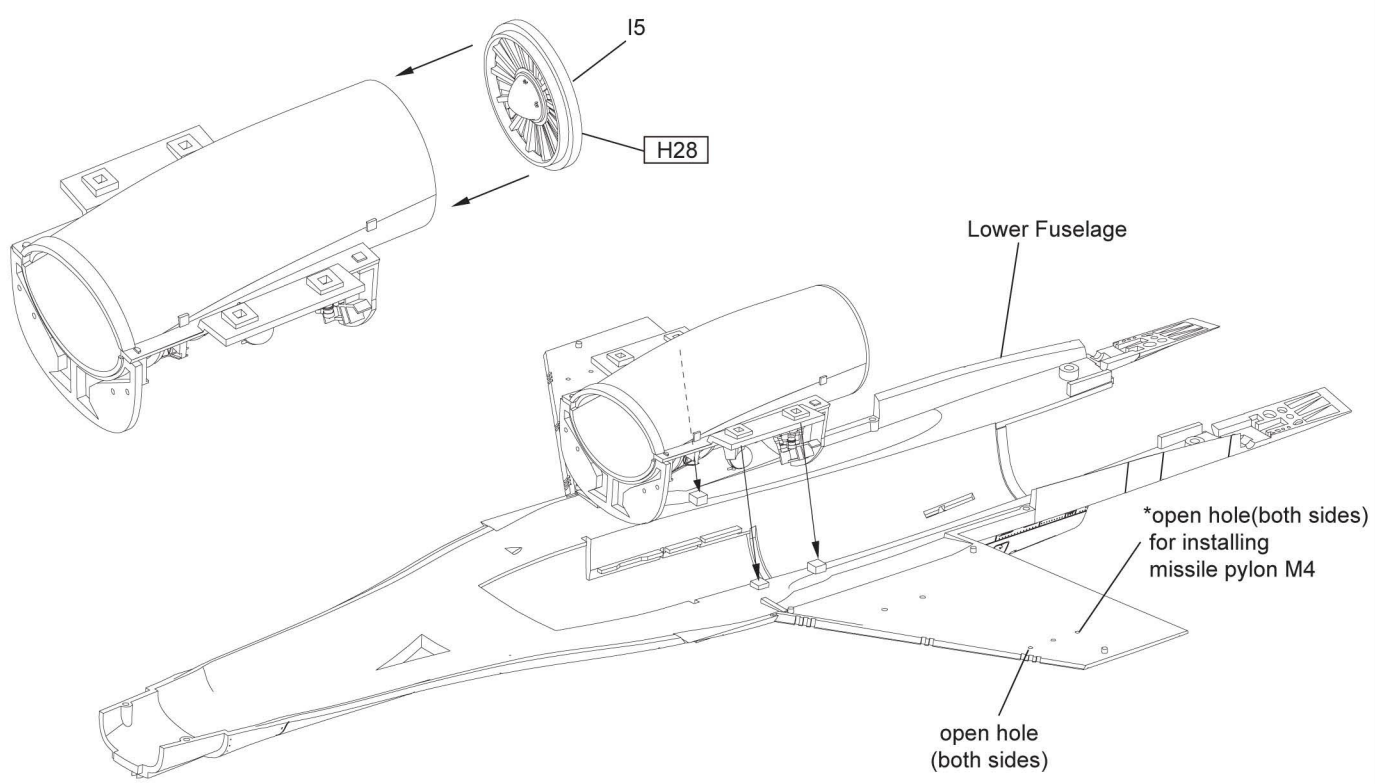
canopy



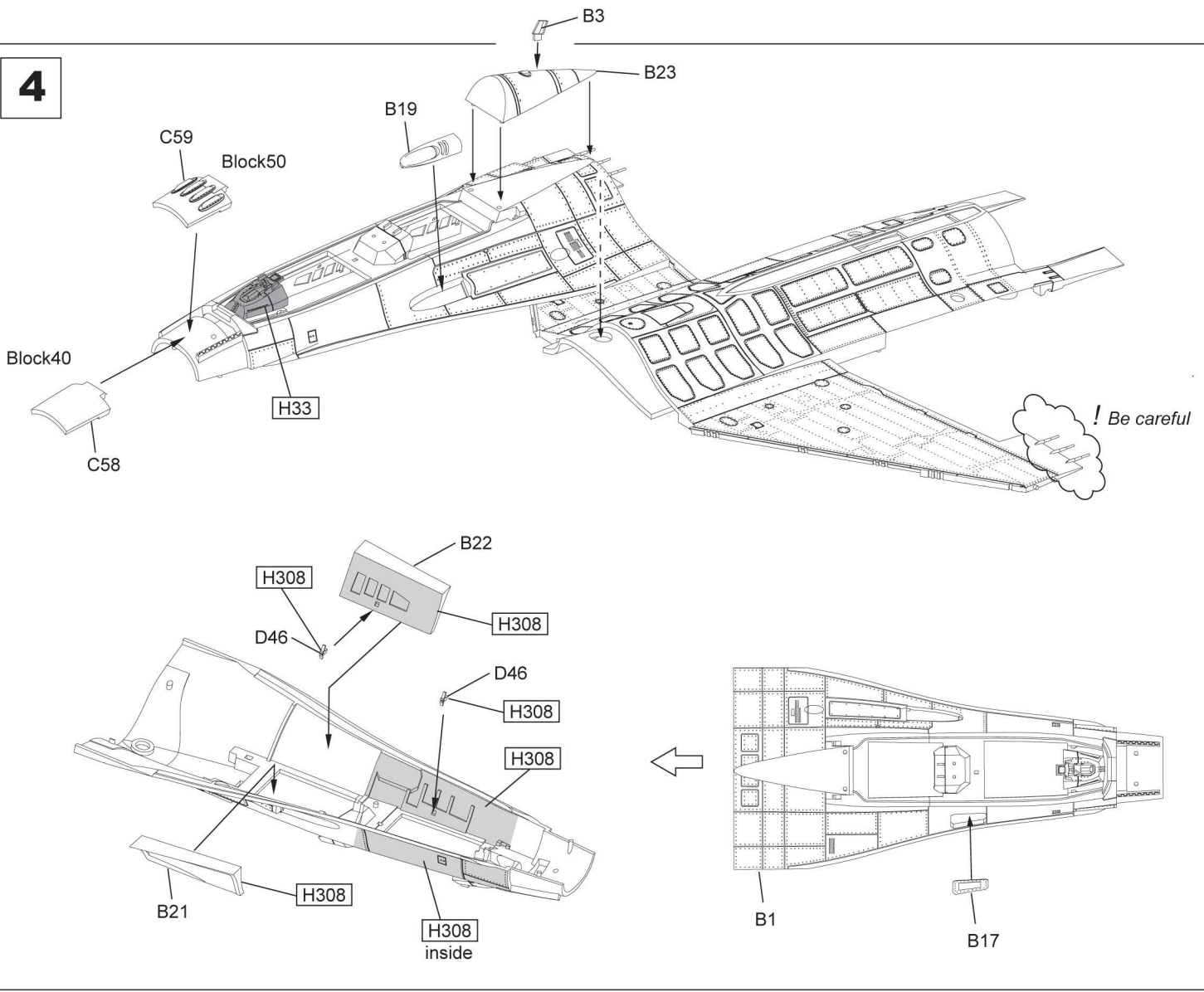
nose cone



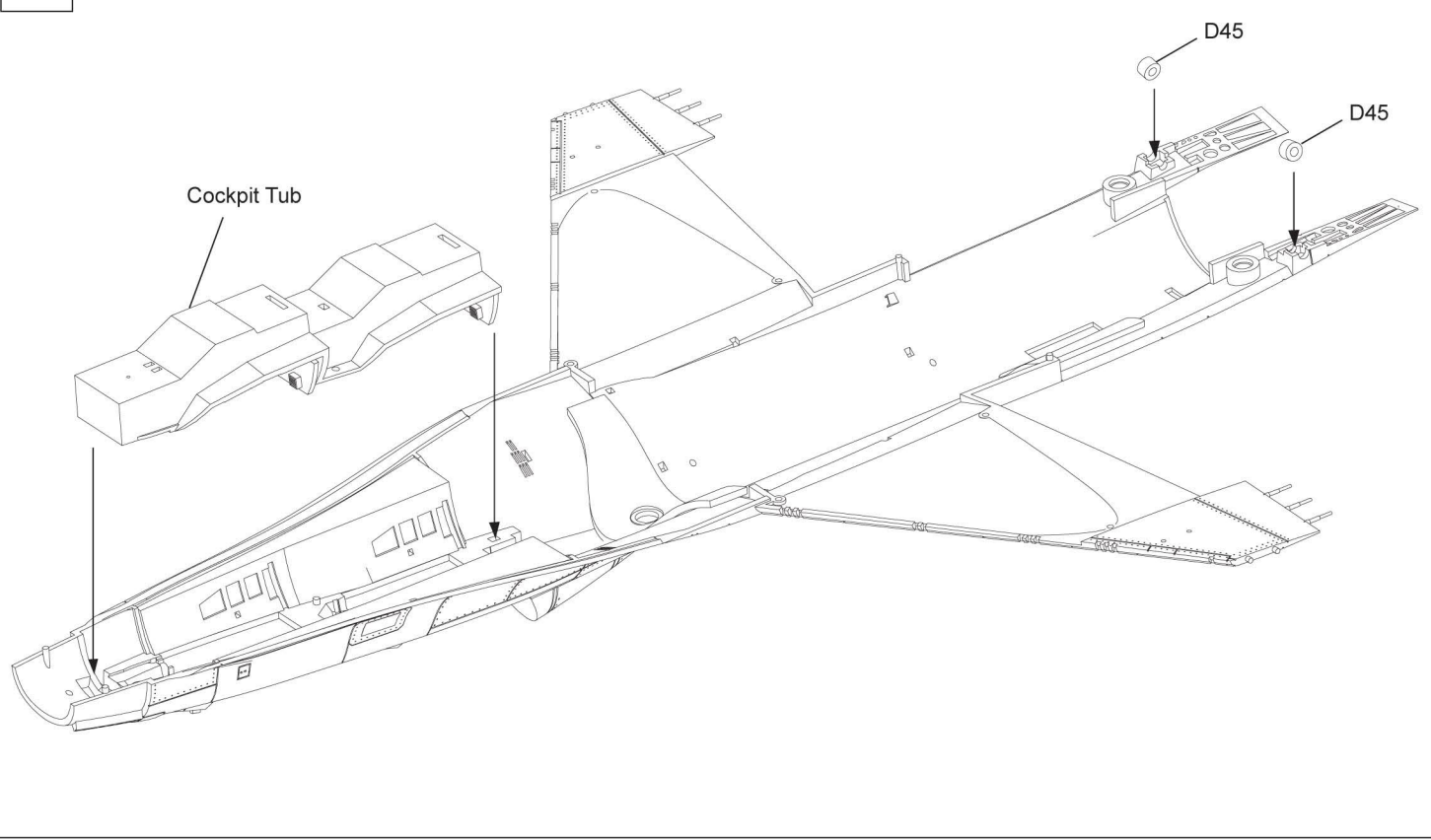
Some parts are not for use. For those parts not shown in the construction manual, please simply neglect them as they will not be used for building this model.

1**2****3**

4

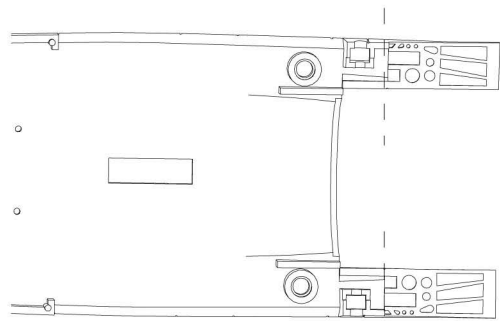


5

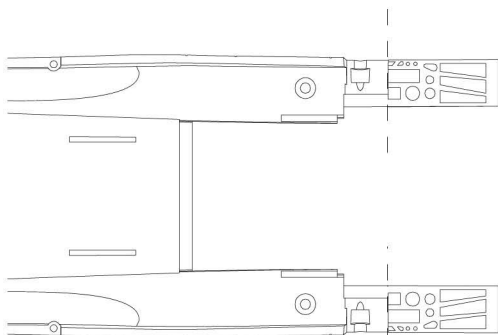
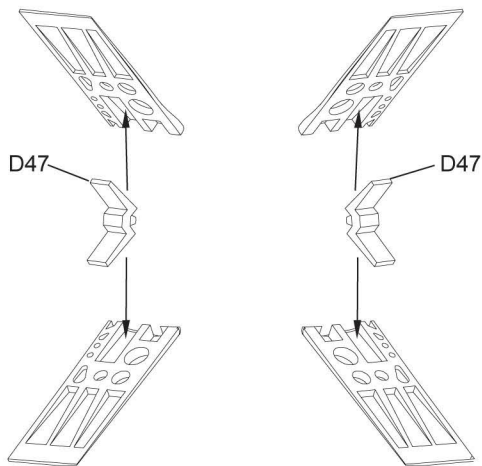


6

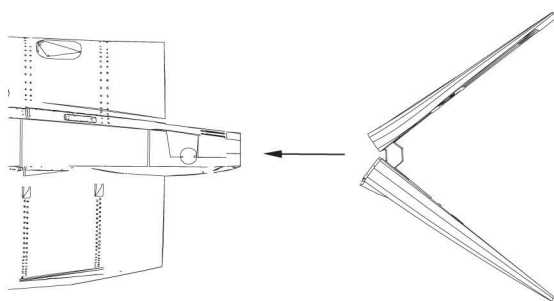
Cut along the lines for open air brake



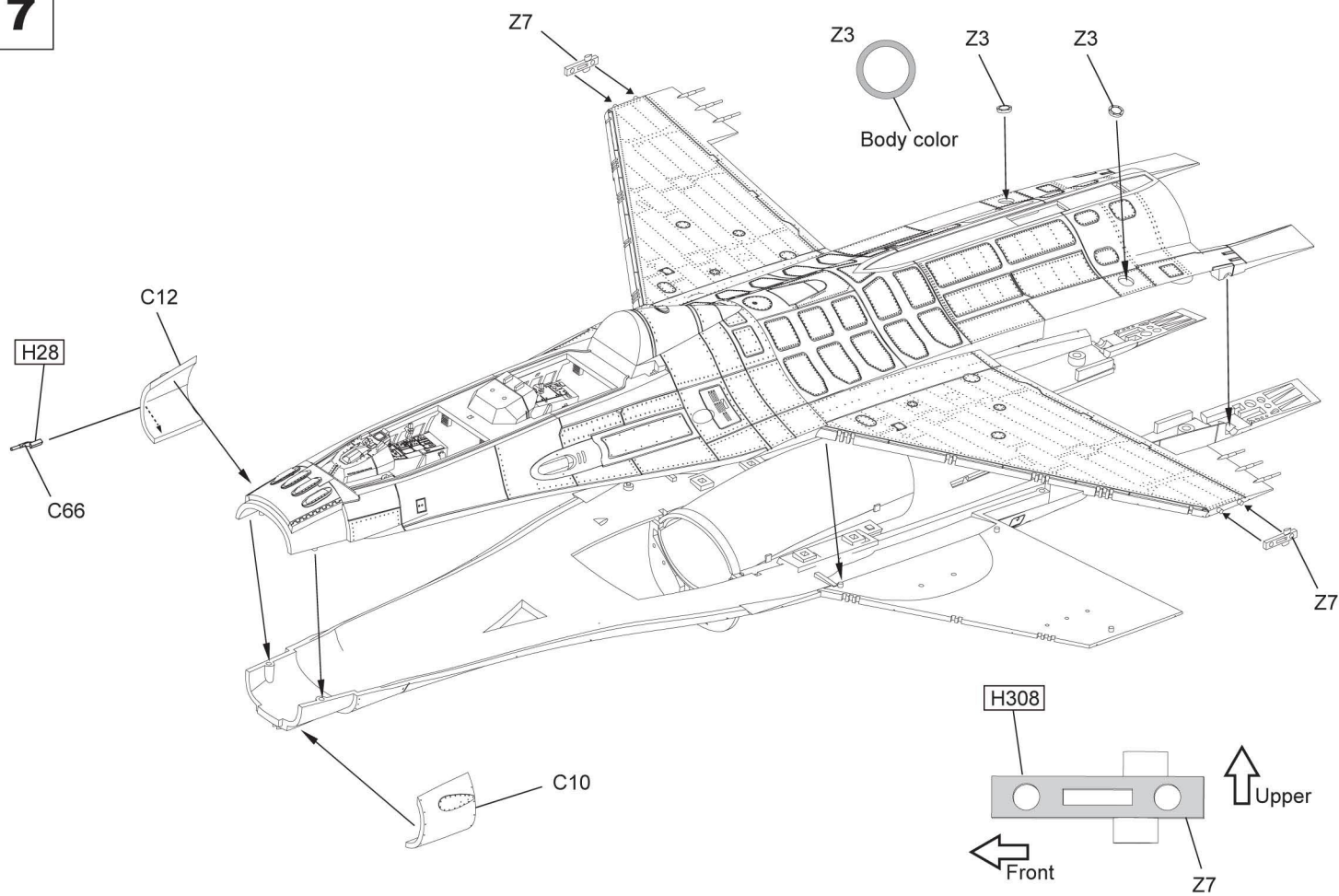
Upper Fuselage

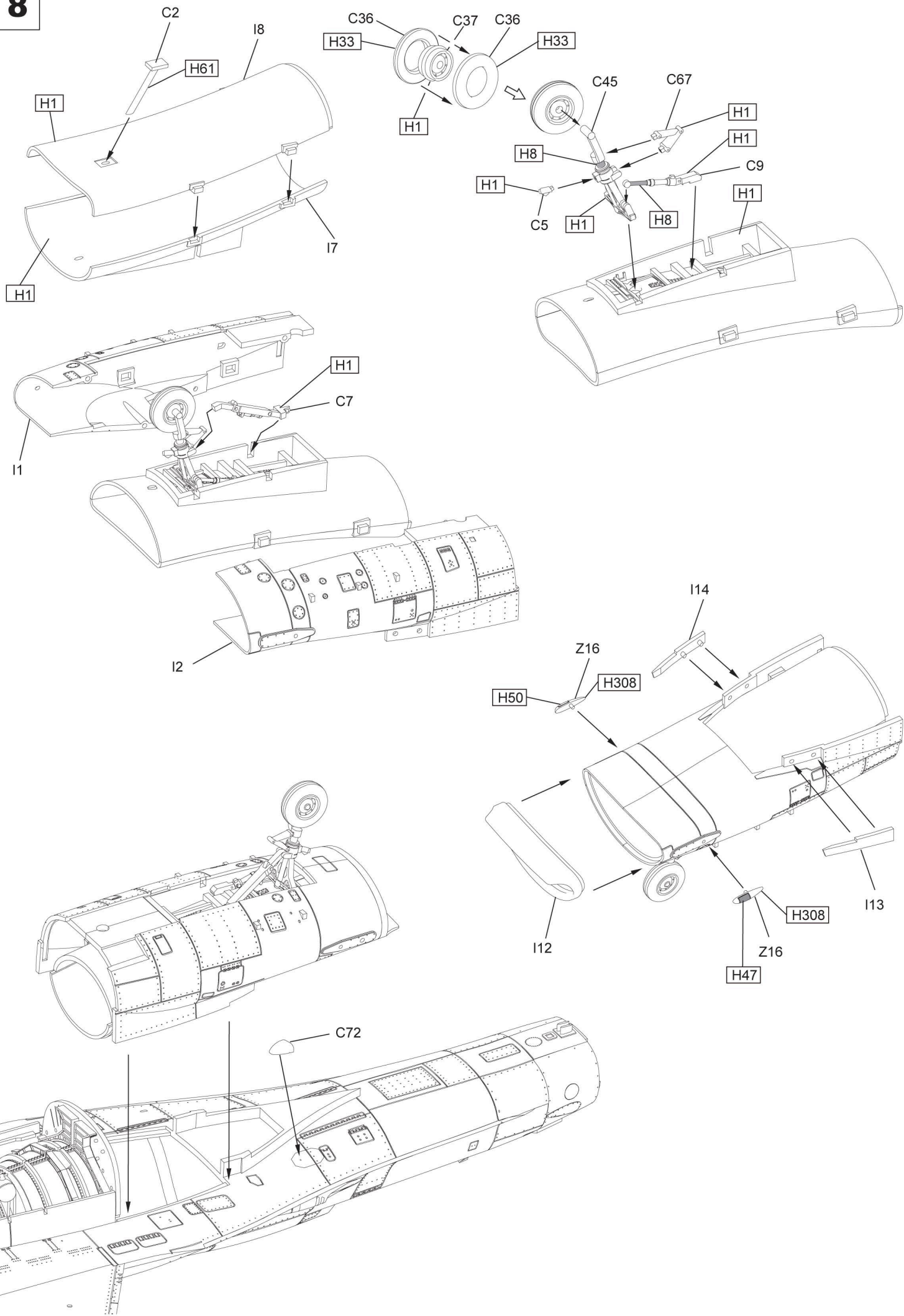


Lower Fuselage

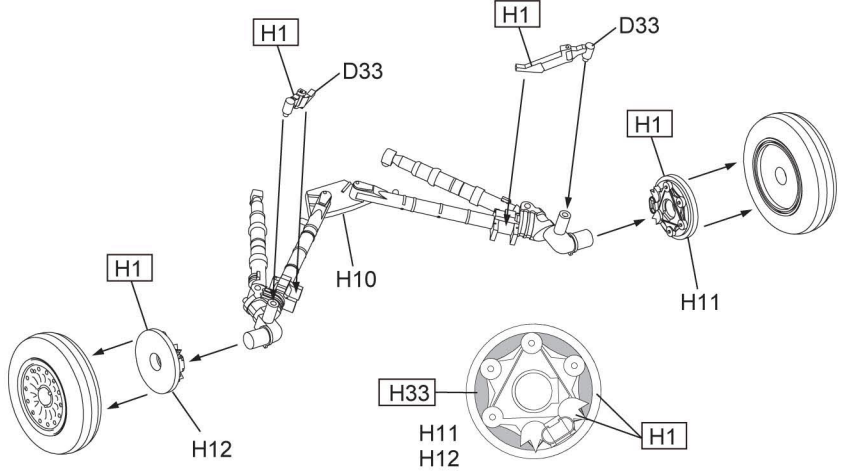
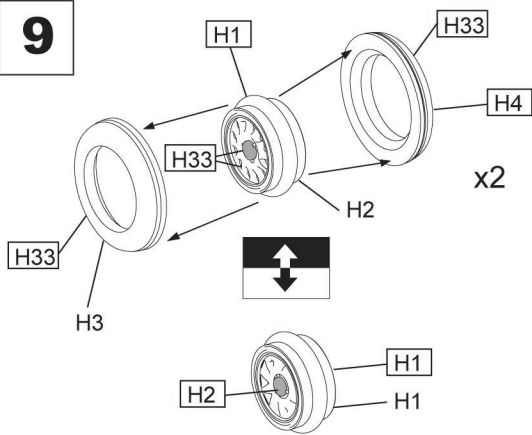


7



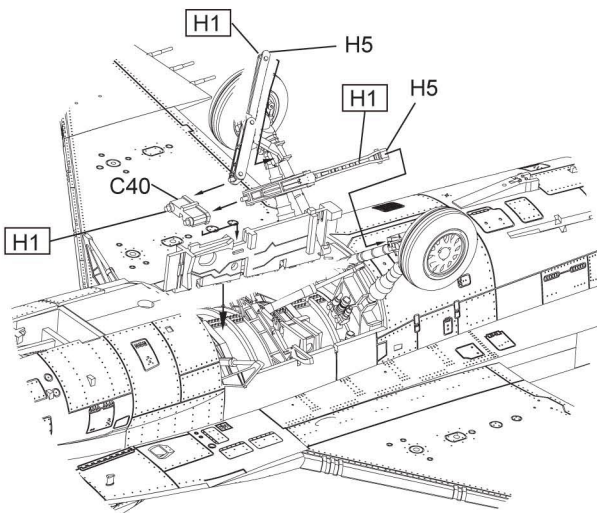
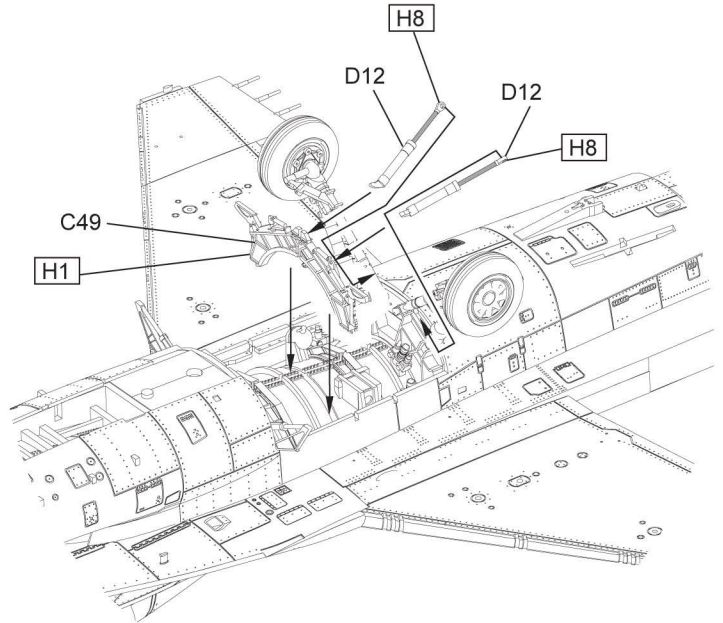
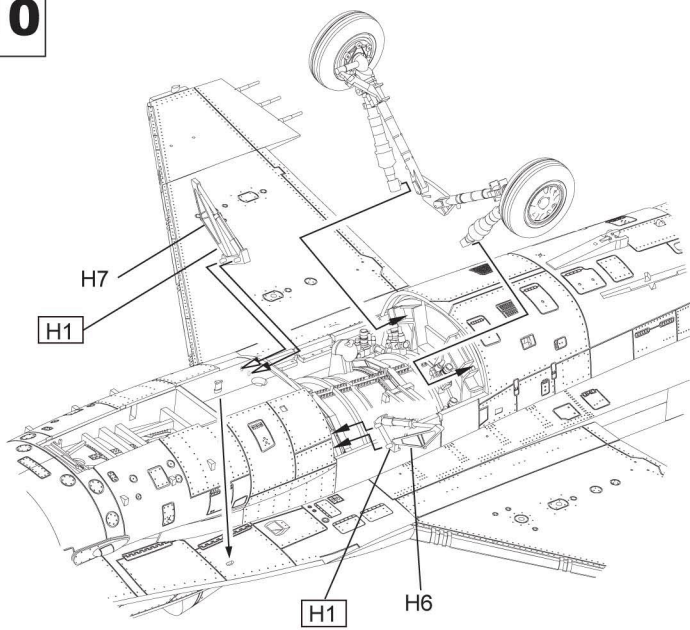


9

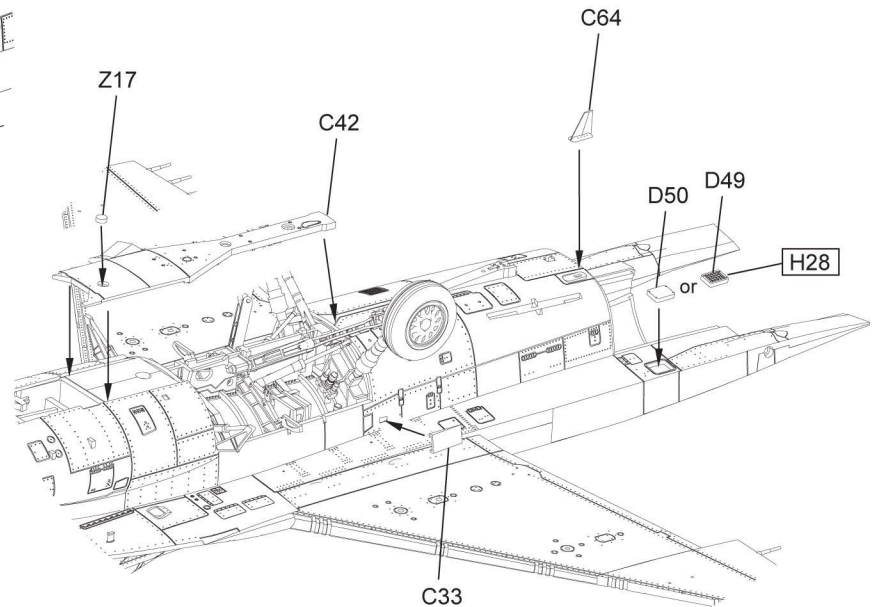


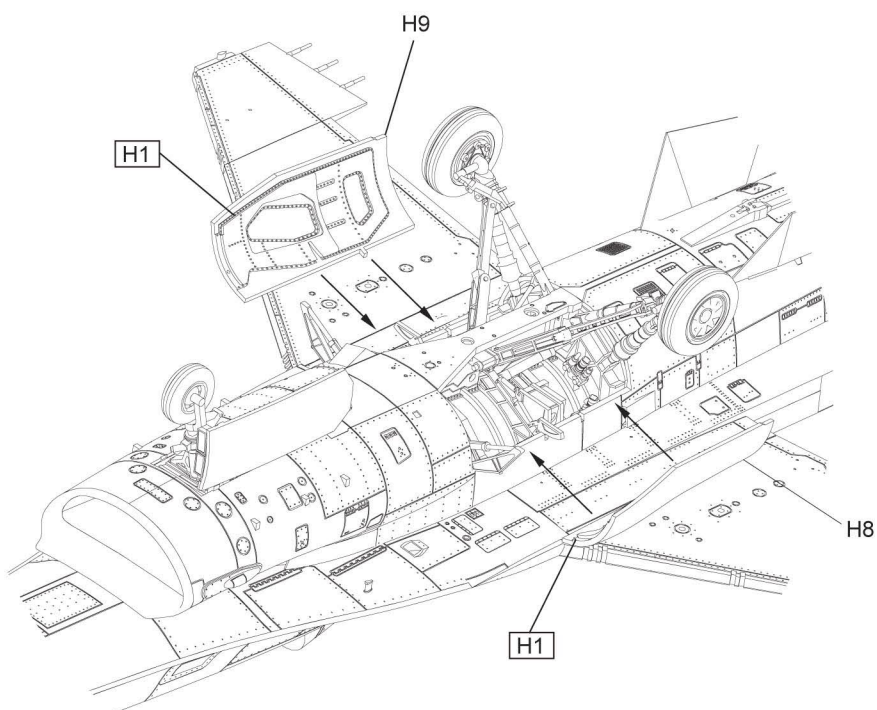
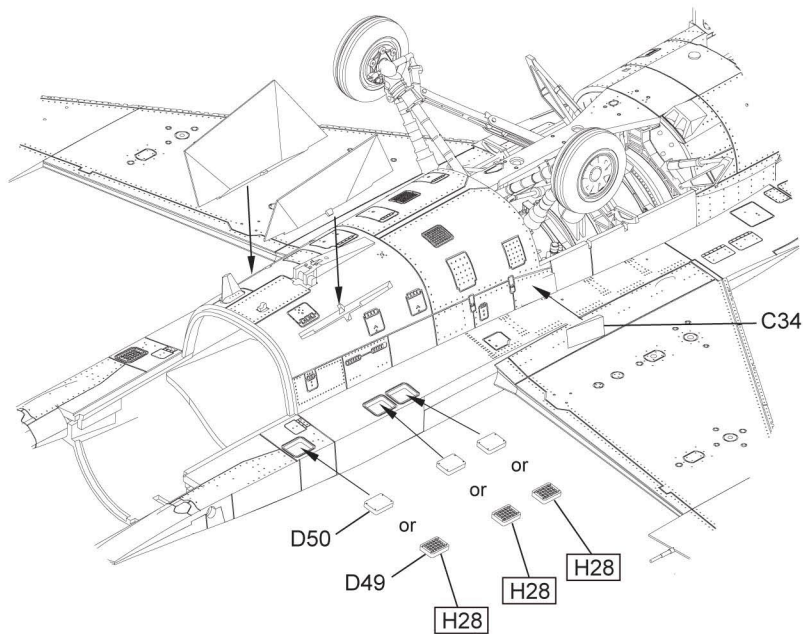
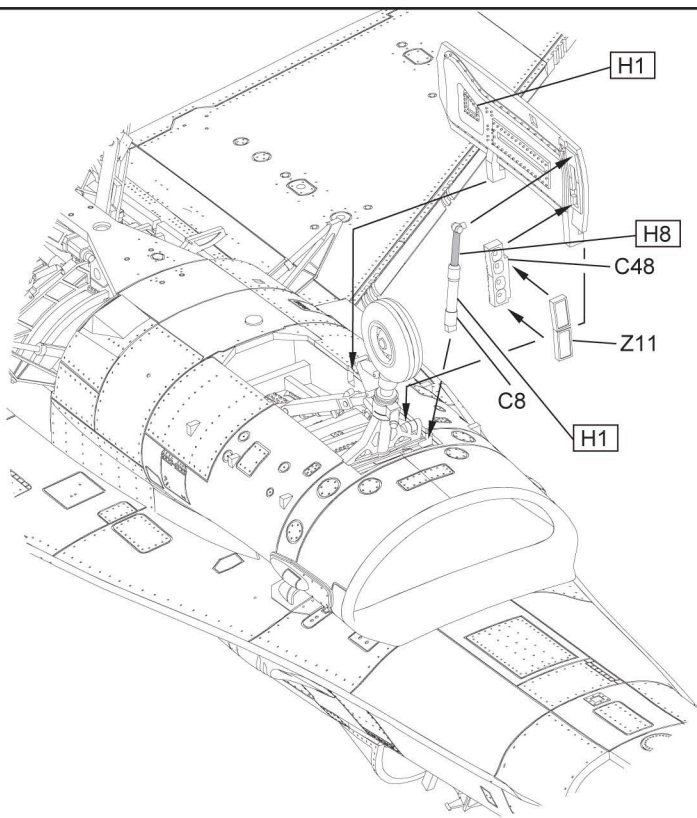
*Use by Turkish A/F and some model of IDF A/F

10

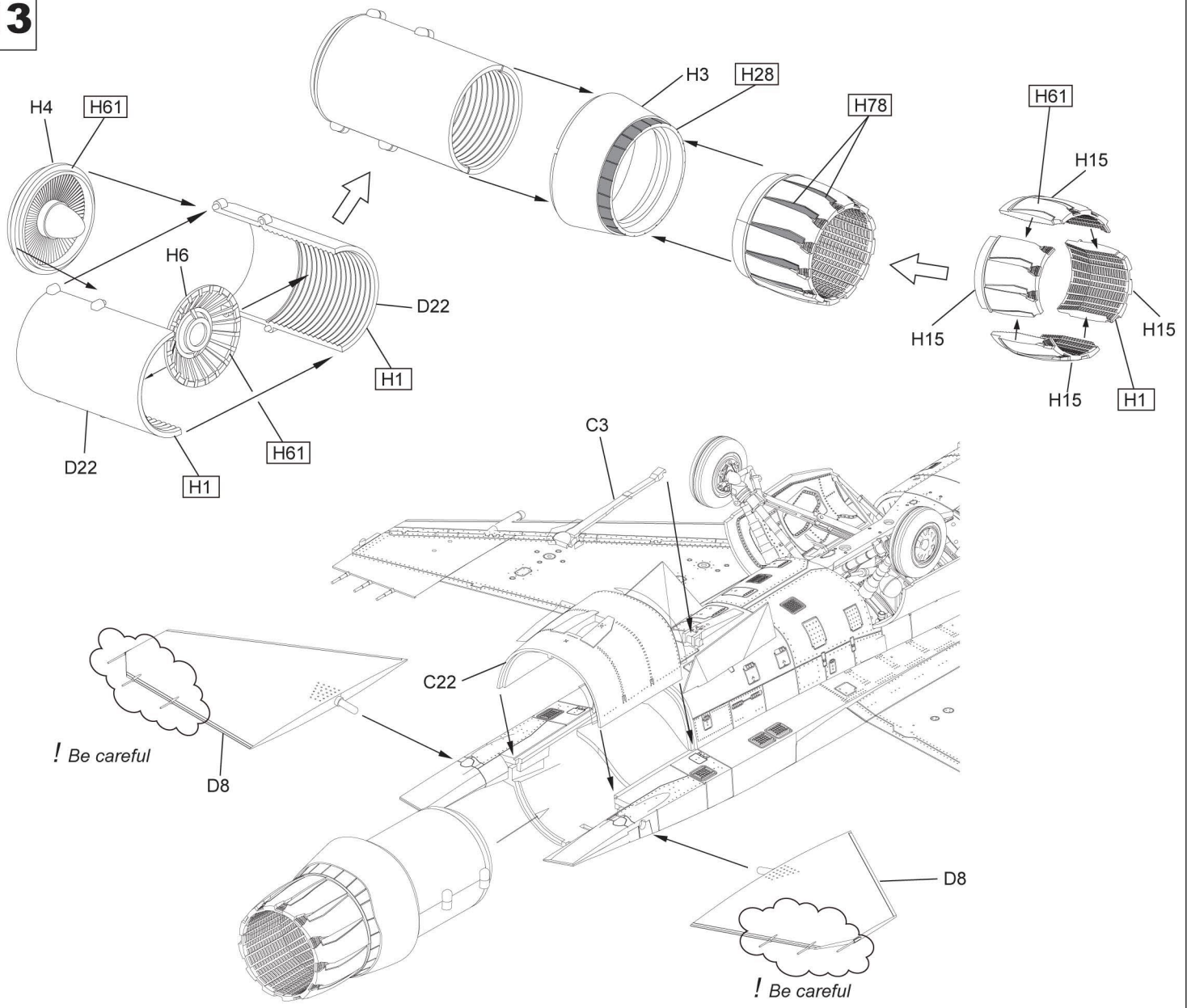


11

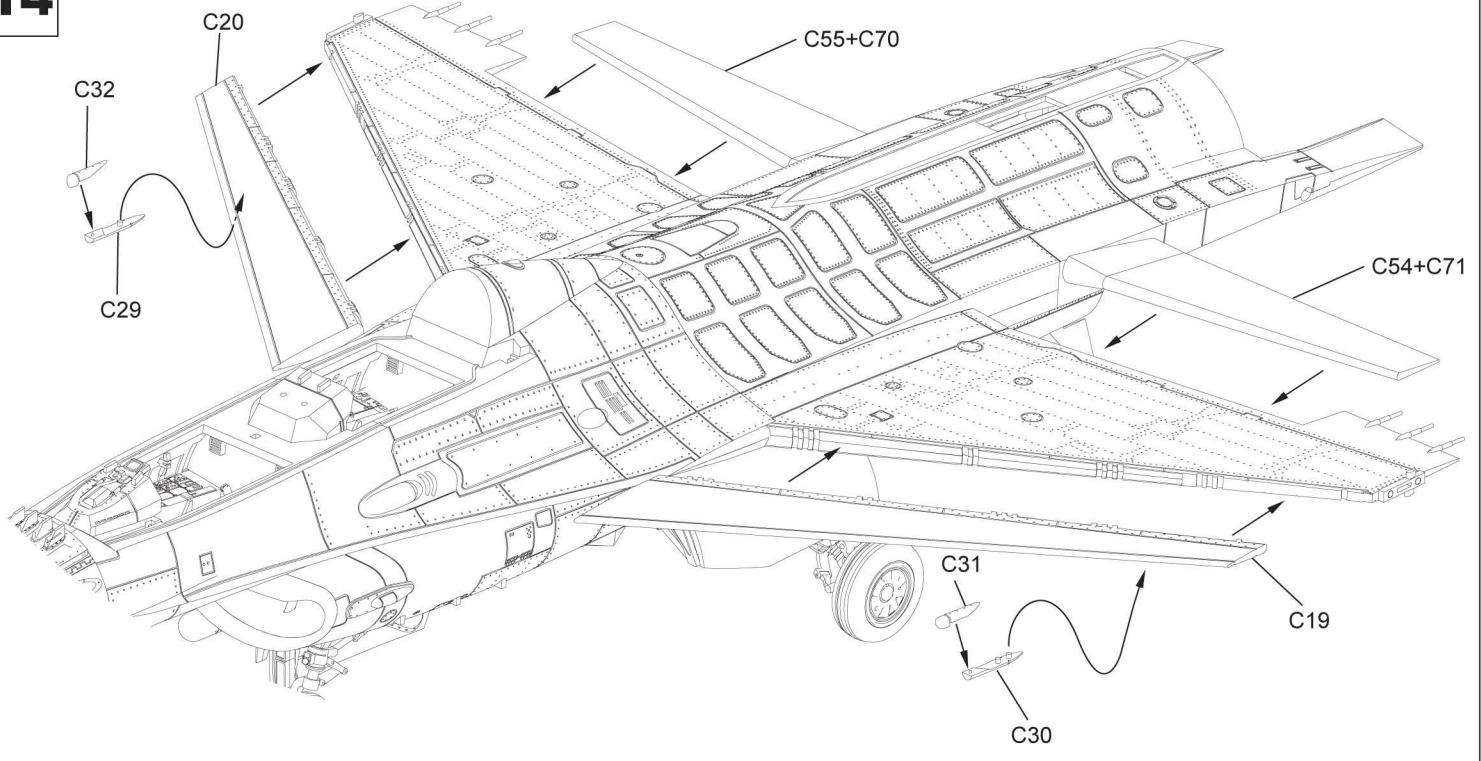




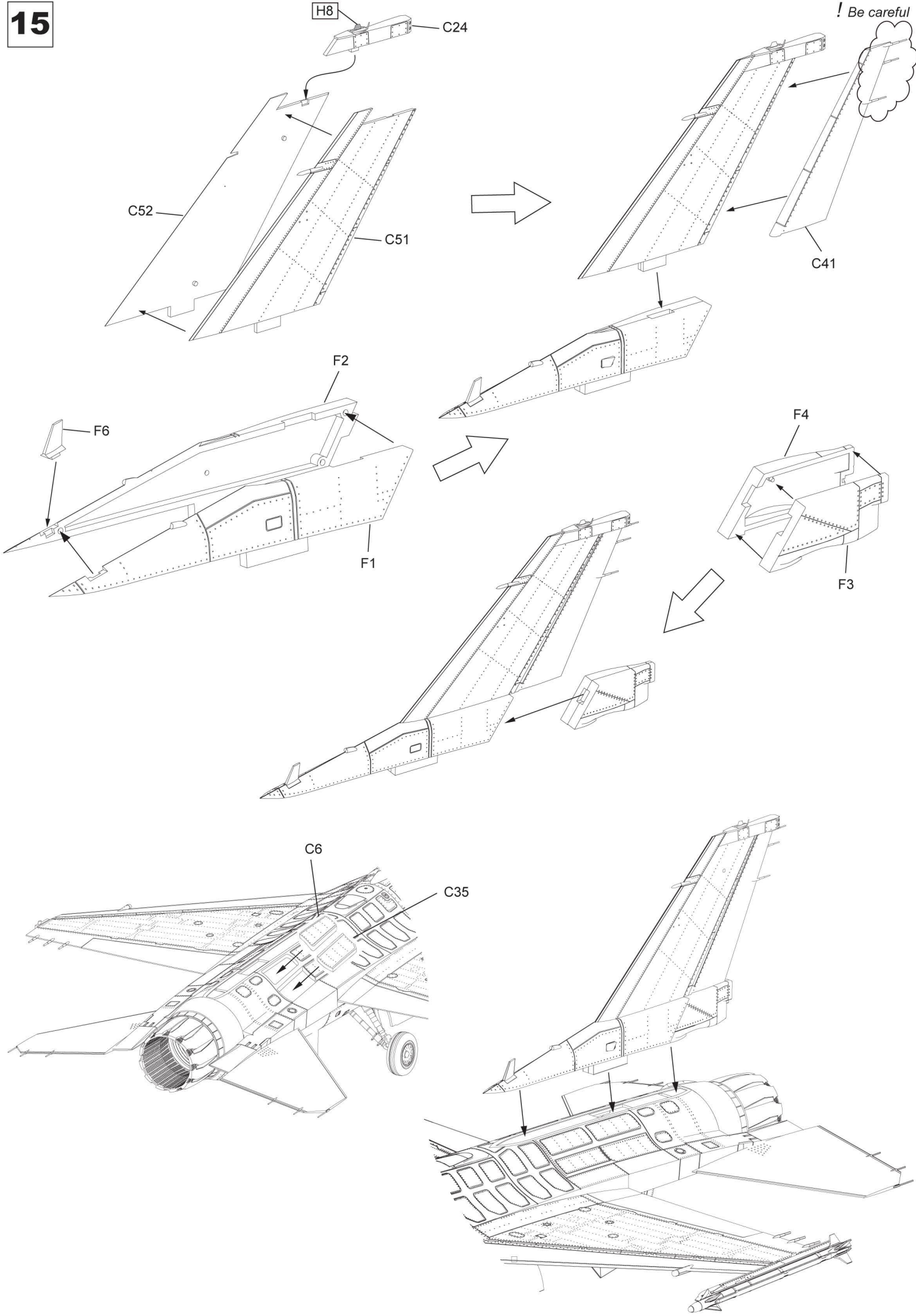
13



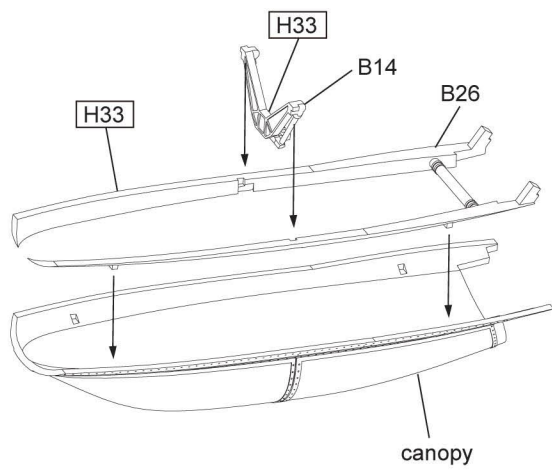
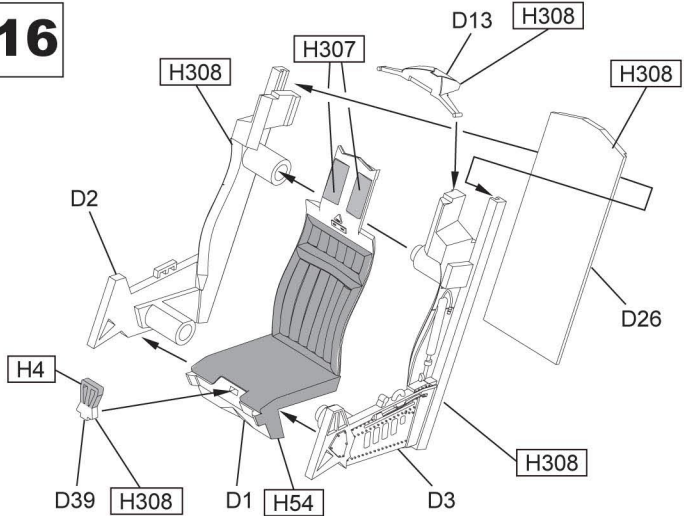
14



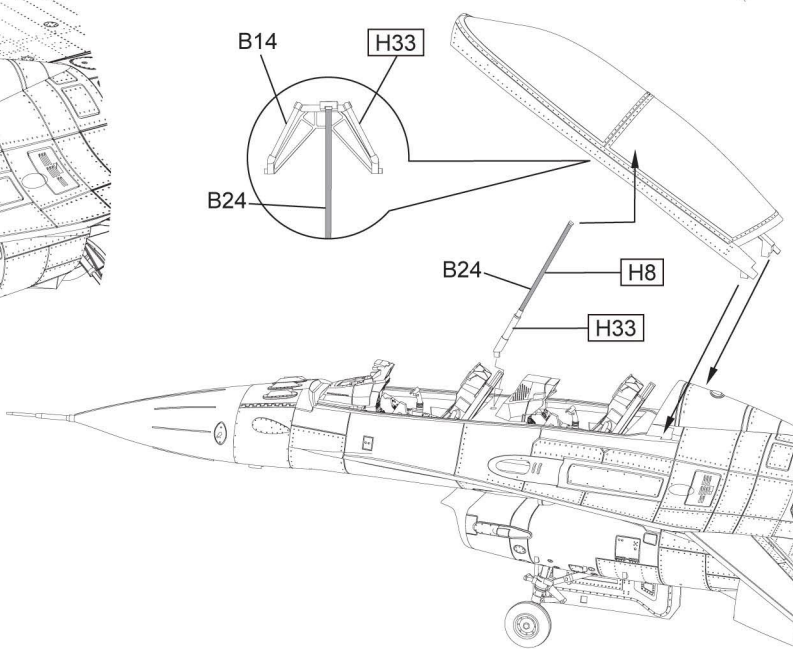
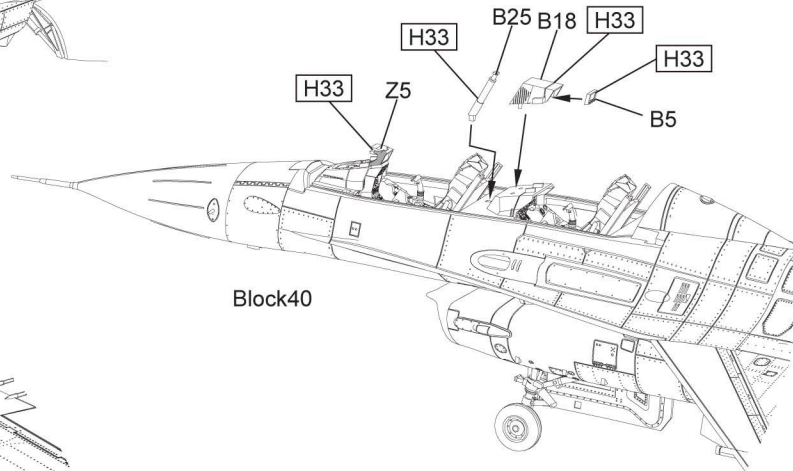
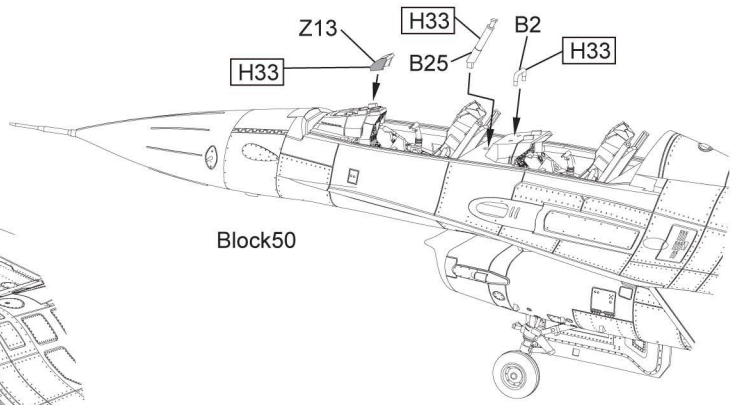
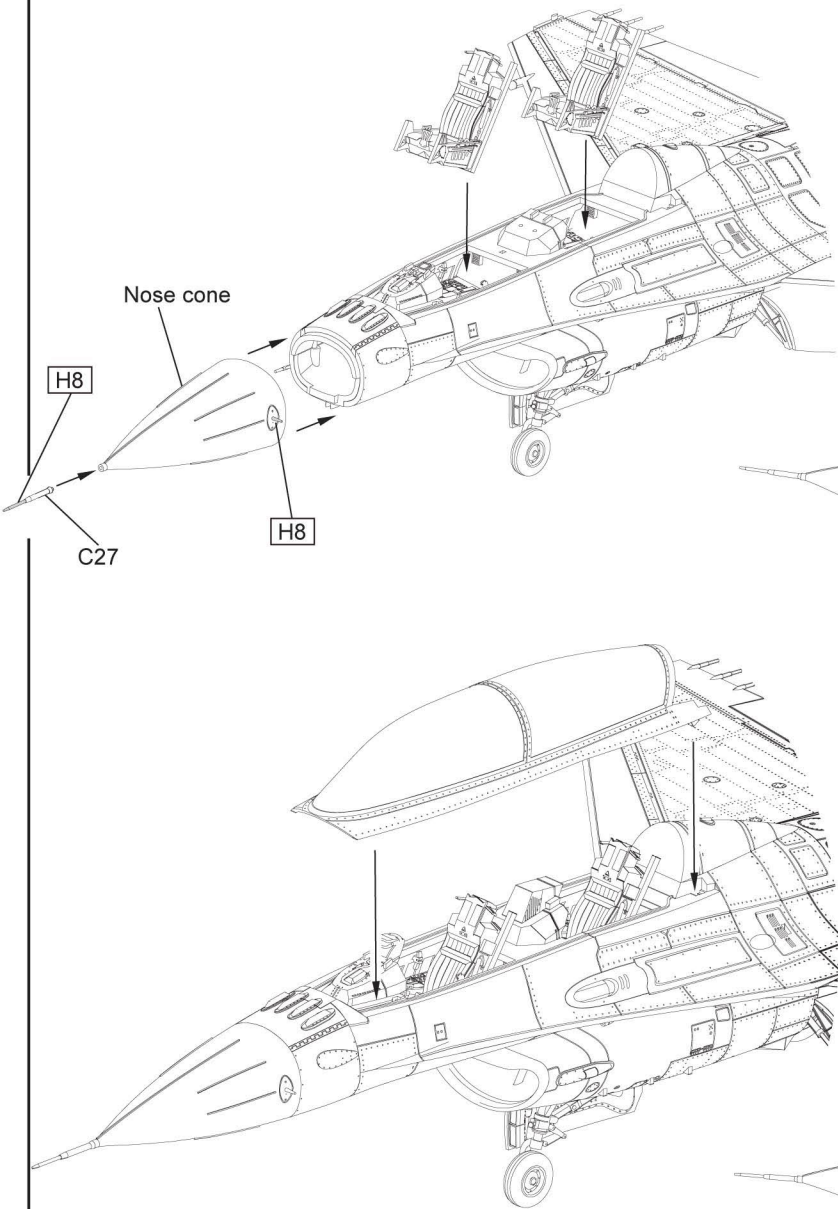
! Be careful



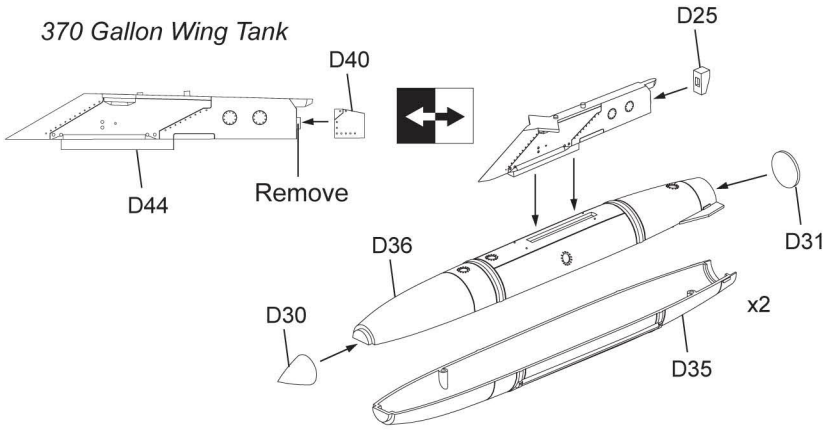
16



17

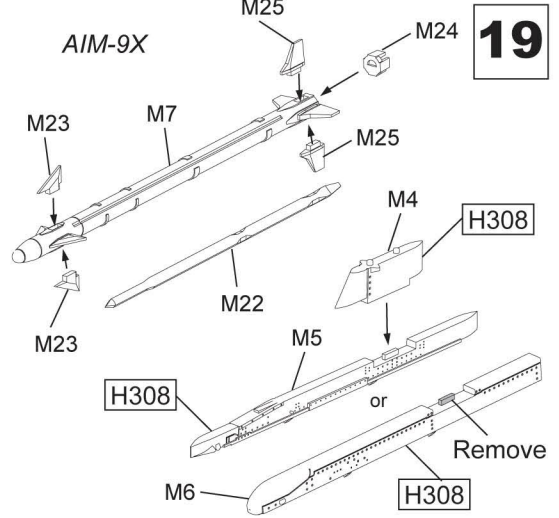
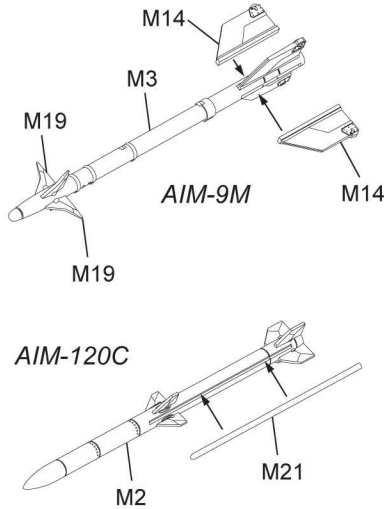
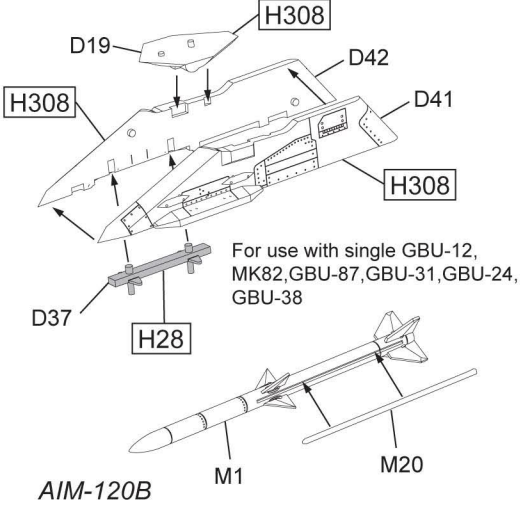
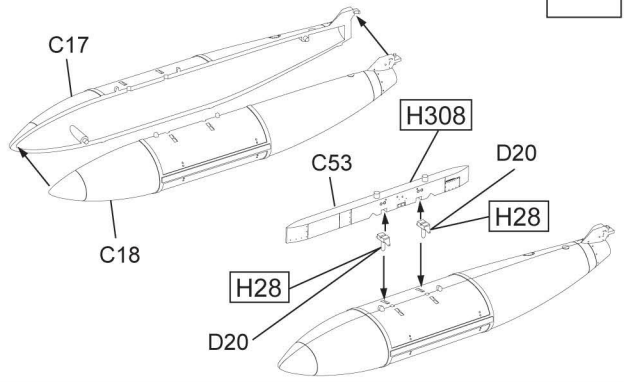


370 Gallon Wing Tank

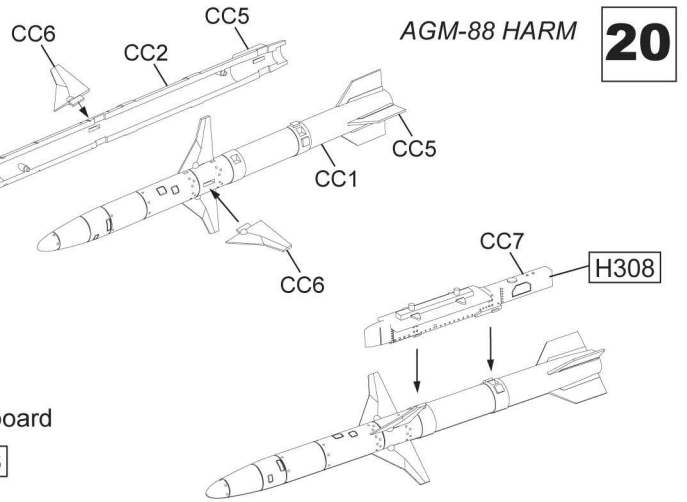
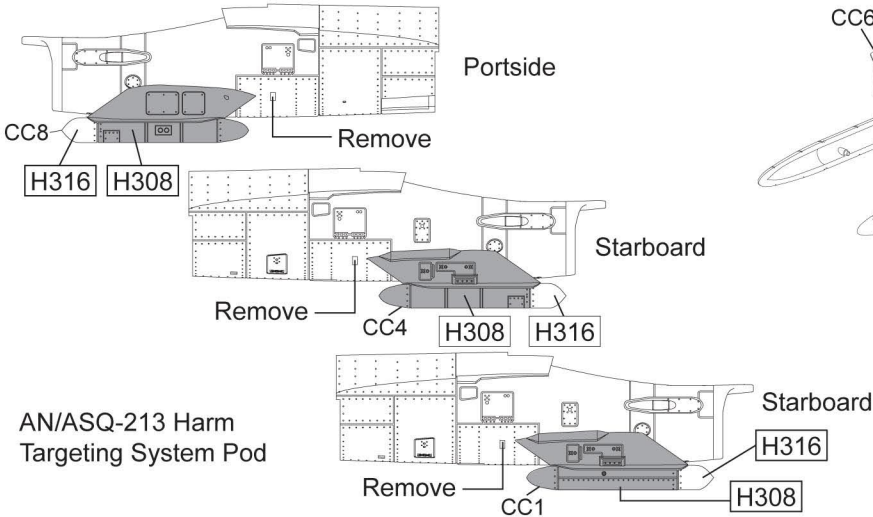


300 Gallon Centerline Tank

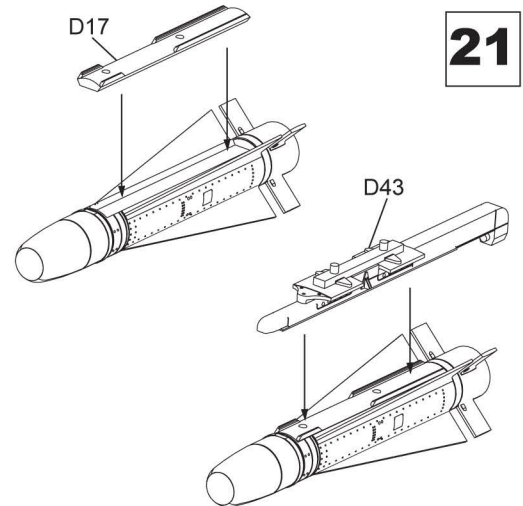
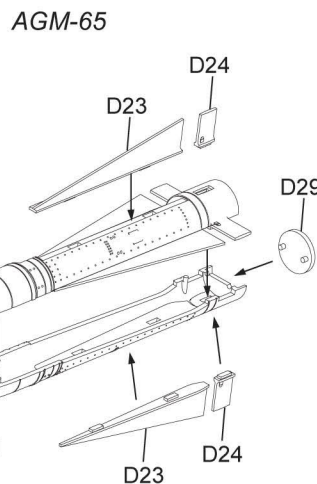
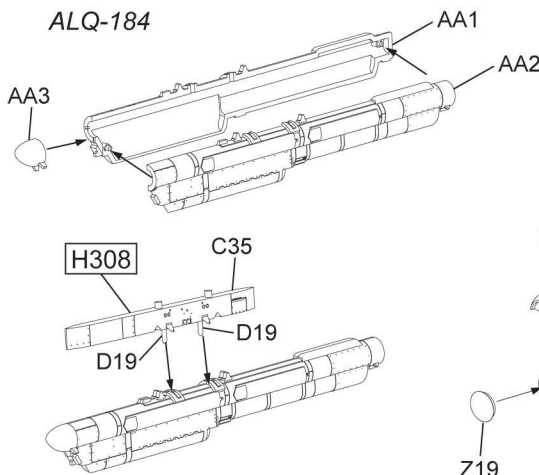
18



19



20



21

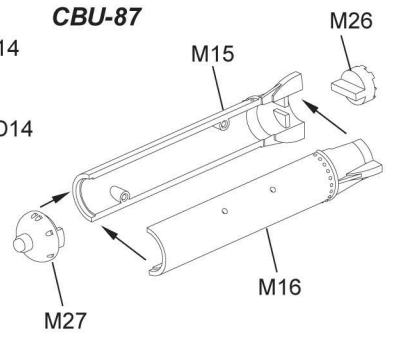
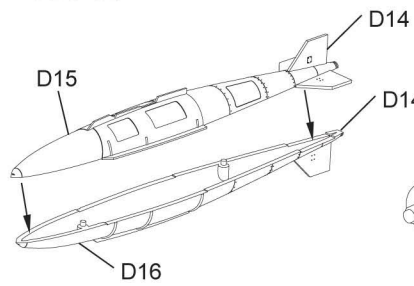
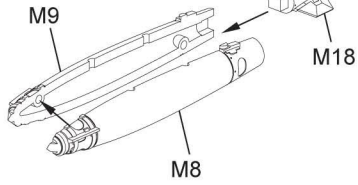
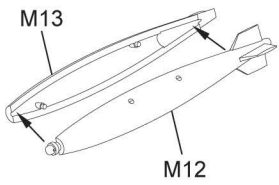
22

MK-82

GBU-38

GBU-31

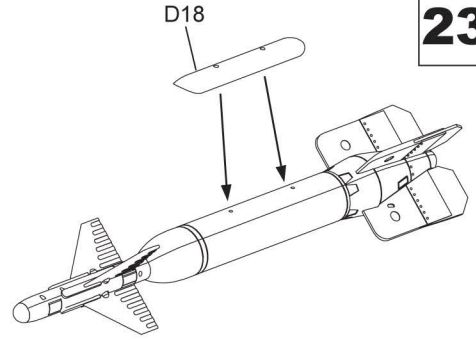
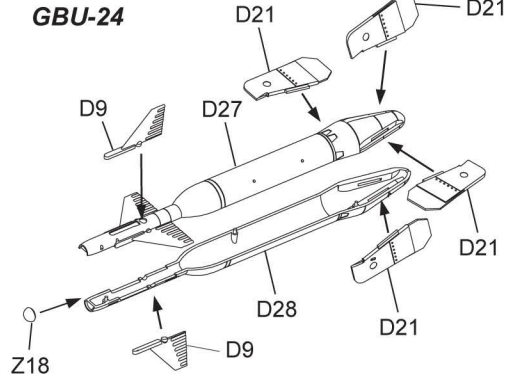
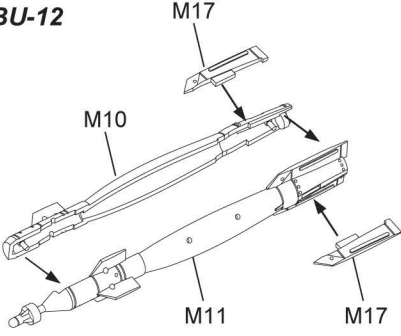
GBU-87



GBU-12

GBU-24

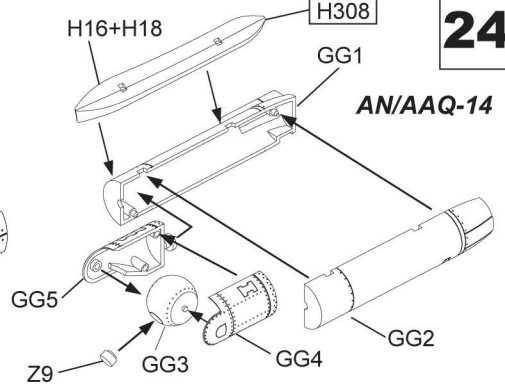
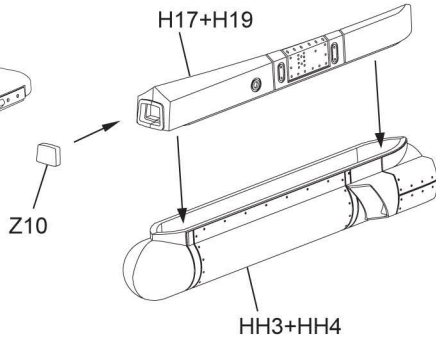
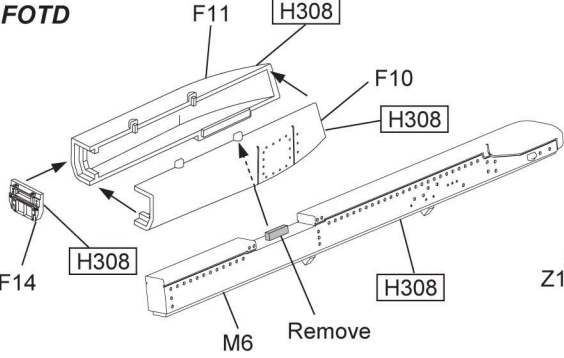
23



FOTD

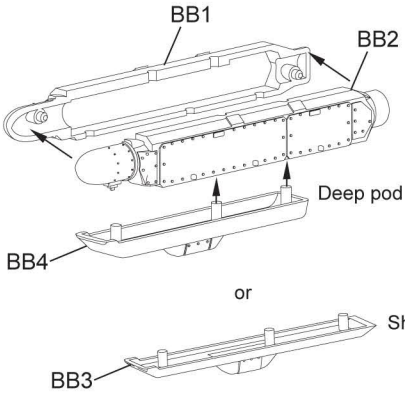
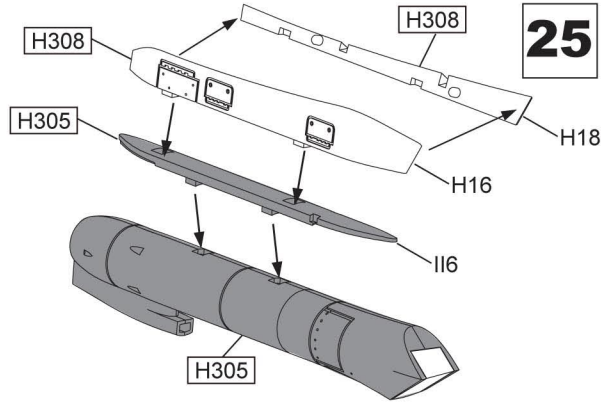
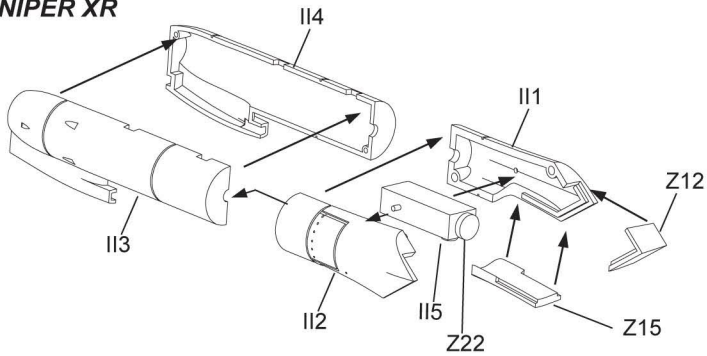
AN/AAQ-13

24

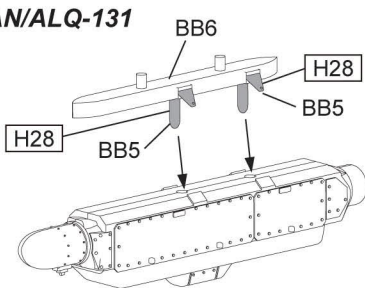


SNIPER XR

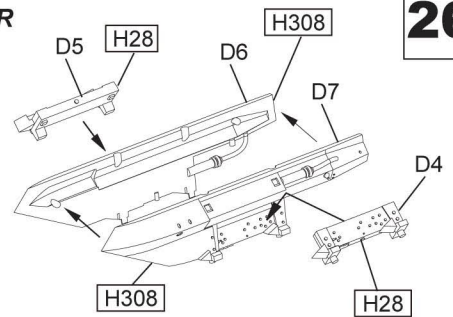
25



AN/ALQ-131



TER



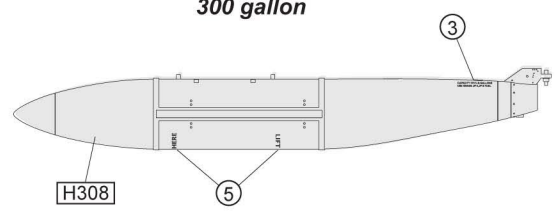
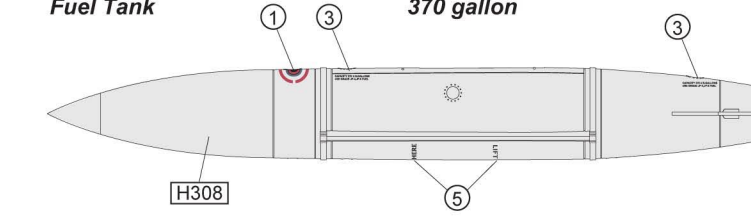
26

Painting & Decal Placement - External Stores (F-16 C/D)

Fuel Tank

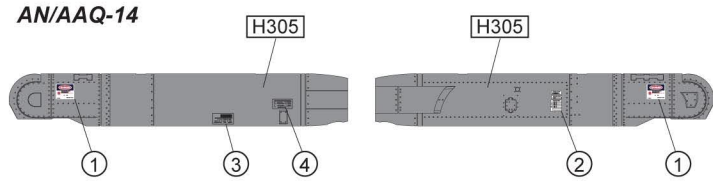
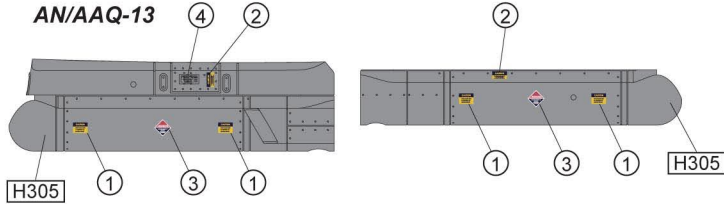
370 gallon

300 gallon



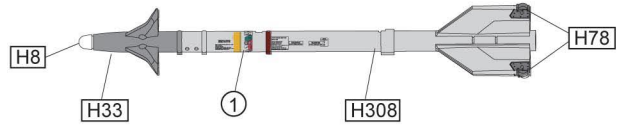
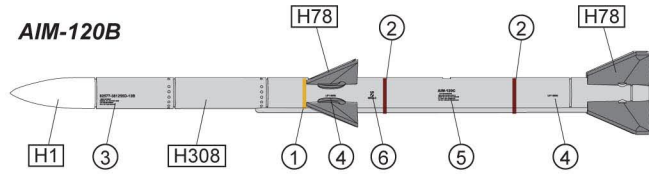
AN/AAQ-13

AN/AAQ-14



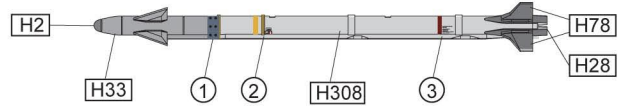
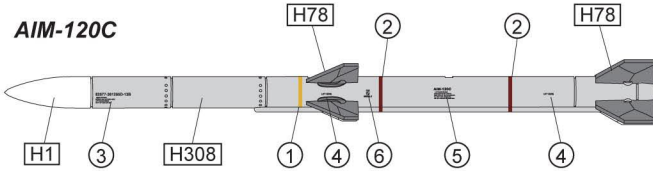
AIM-120B

AIM-9M



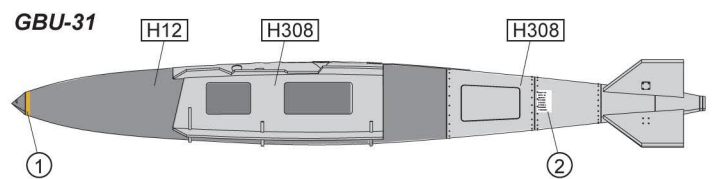
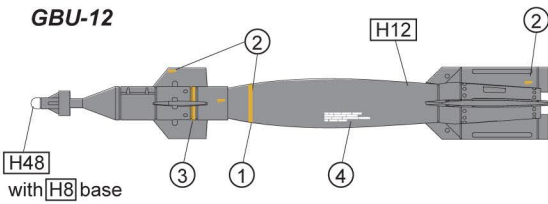
AIM-120C

AIM-9X



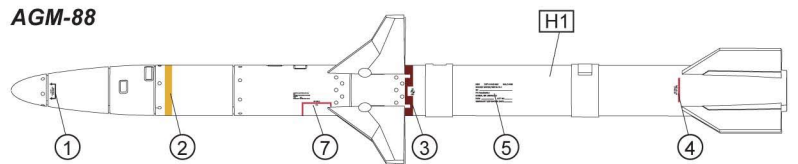
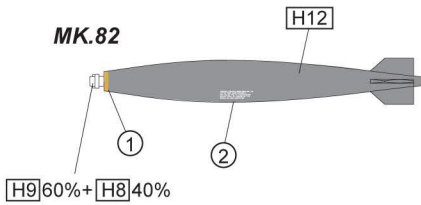
GBU-12

GBU-31



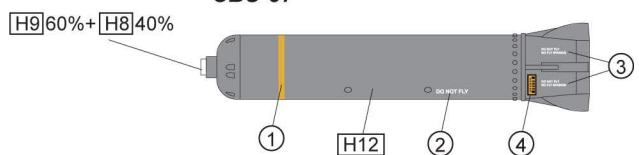
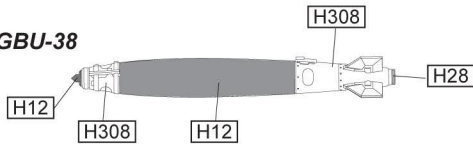
MK.82

AGM-88



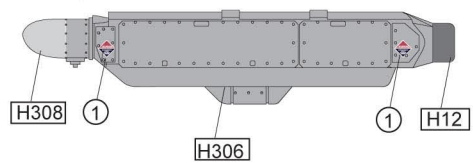
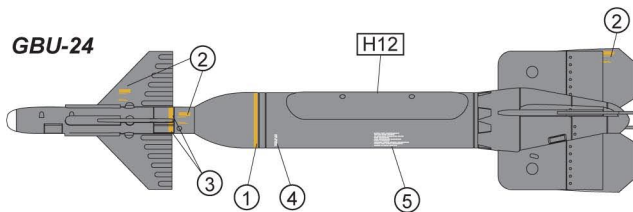
GBU-38

CBU-87



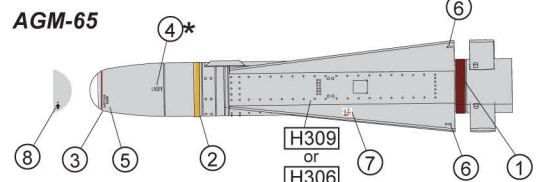
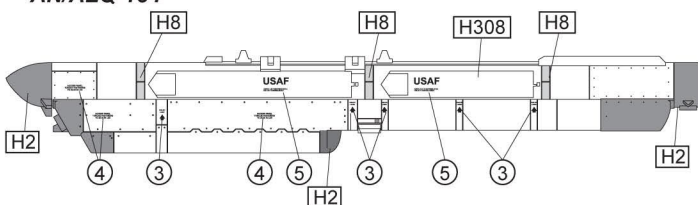
GBU-24

AN/ALQ-131

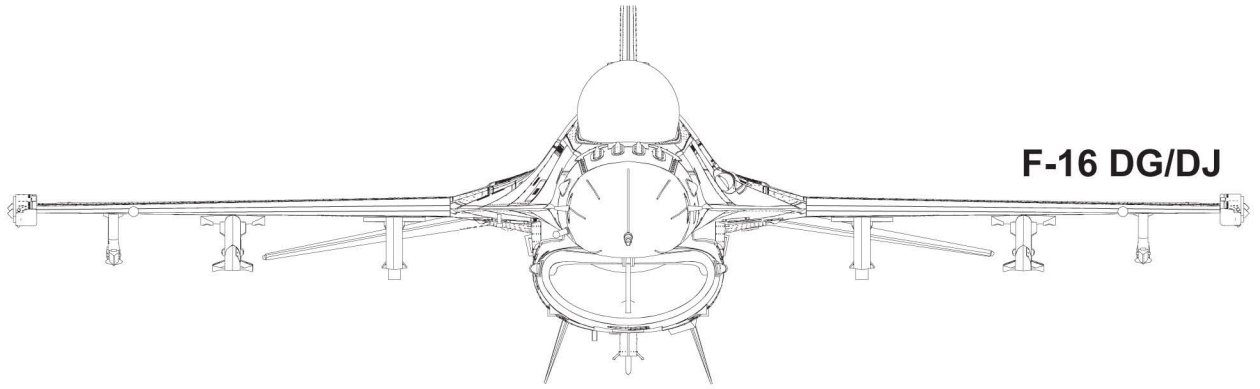


AN/ALQ-184

AGM-65

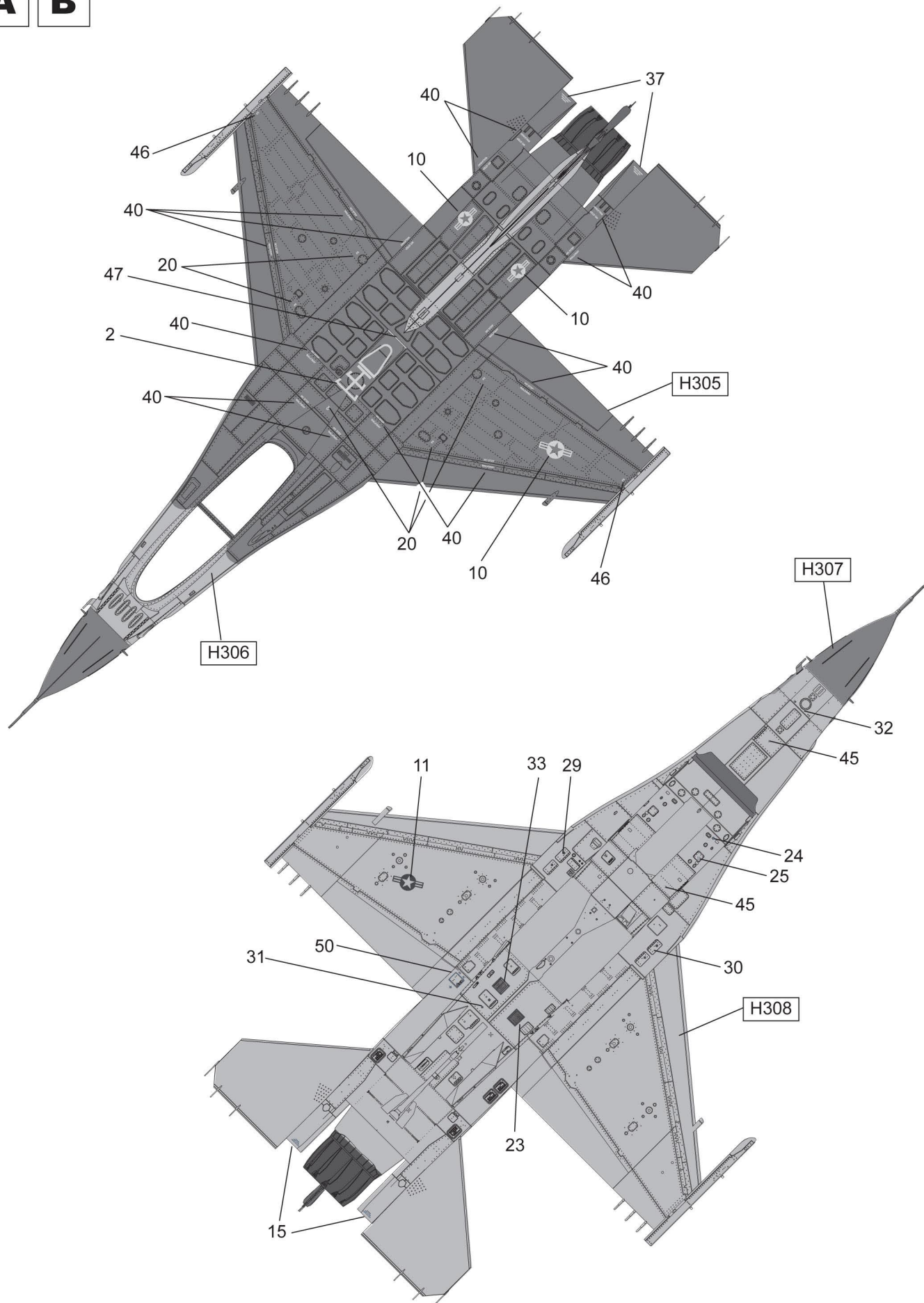


EXTERNAL STORES

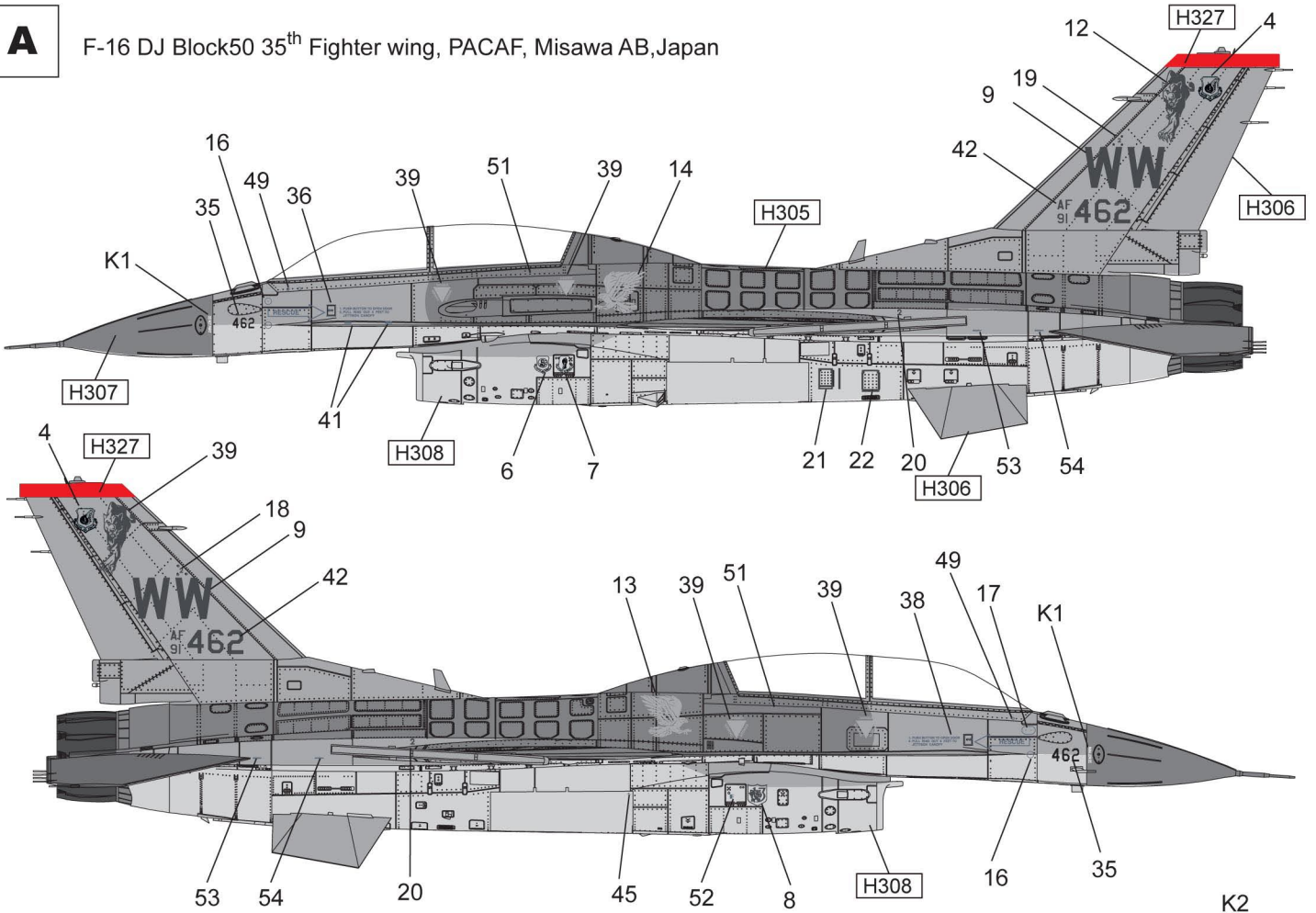


Station No. Weapons	9	8	7	6	5R	5	5L	4	3	2	1
LAU-114 (W/AIM-9M only)	●	●	●						●	●	●
LAU-129	●	●	●						●	●	●
AIM-9M	●	●	●						●	●	●
AIM-9X (W/LAU-129 only)	●	●								●	●
AIM-120B (W/LAU-129 only)	●	●	●						●	●	●
AIM-120C (W/LAU-129 only)	●	●	●						●	●	●
MK.82			●						●		
MK.82 (W/TER)			● ●						● ●		
GBU-12			●						●		
GBU-12 (W/TER)			● ●						● ●		
GBU-31			●						●		
GBU-87			●						●		
GBU-87 (W/TER)			● ●						● ●		
GBU-38			●						●		
GBU-38 (W/TER)			● ●						● ●		
GBU-24			●						●		
AGM-65			●						●		
AGM-88			●						●		
370gal. Fuel tank				●				●			
300gal. Fuel tank						●					
AN/AAQ-13							●				
AN/AAQ-14					●						
SNIPER XR					●						
AN/ASQ-213 (W/AGM-88 installed)					●		●				
ALQ-131						●					
ALQ-184						●					
FOTD either side (W/LAU-129)		●								●	

A **B**



A F-16 DJ Block50 35th Fighter wing, PACAF, Misawa AB, Japan



B F-16 DG Block40 USAF 555FS "TRIPLE NICKLE", Aviano AB, Italy

