

## F-80A Shooting Star

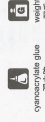
F-80A シューティングスター 美国F-80A “流星” 战斗机

### PLEASE READ BEFORE OPERATION!

- \* Adhesives: Plastic, Soft Cement, Sharp Edged Plaster, Modeling Knife, Modeling File, Nippers, Drill, Sissors, Sand Paper, Soft Cloth, Cyanoacrylate Glue.
- \* This kit is for adult use only. Children should be allowed to assemble by mistake to keep them away from reach of children.
- \* Cut all parts of carefully and remove the waste parts into the garbage can.
- \* Sharp corners should be rounded by filing and finishing up photo-etched parts.
- \* Please attention that some parts should be attached the decal when assembled.
- \* When using the adhesive and paints, please do not use them in the closed room the dangerous if wearing over head by children's mistake.
- \* Adult supervision when assembled by children under 14 years old.

### 装配前请仔细阅读说明:

- \* 请准备好模型的工具(请自备): 专用模型胶水, 专用模型油漆, 水口剪刀, 长镊钳, 刀片, 修刀, 镊子钳, 钳, 剪刀, 砂纸, 软布, 模型体干胶棒。
- \* 本水口剪刀刀片小心切勿伤到所需零件和蚀刻片零件。
- \* 切面蚀刻片零件特别注意防止划伤零件表面。
- \* 用适量的强刀快于胶水粘合蚀刻片零件和金属轴, 切忌过猛, 否则可能导致零件脱落。
- \* 尽量将零件表面漆在模型的前部涂上胶水。
- \* 成人监督幼儿在14岁前完成组装, 谨防小孩玩耍时引起意外。



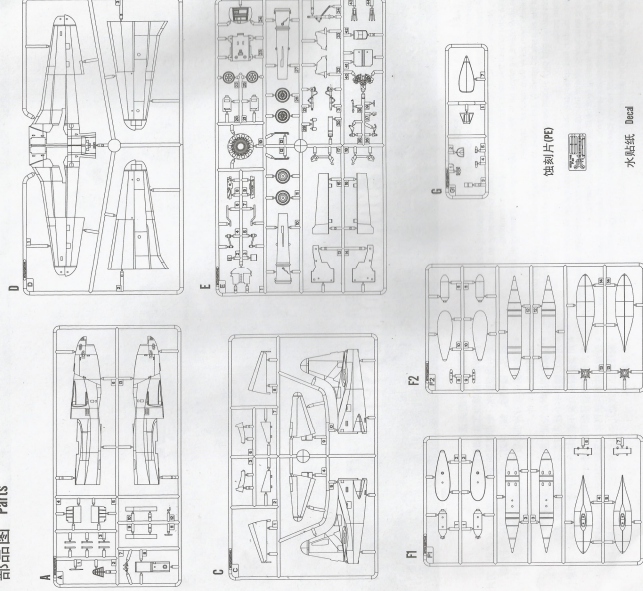
### The method to apply the decals

1. Cut off the decal from the decal paper and put it into the warm water 40°C for 10 seconds.
2. Take the decal from the water and put it on a piece of clean cloth.
3. Then place the decal on the model and press it with a wet finger.
4. Use a piece of dry and soft cloth to press it gently on the decal until it getting dry and no bubble coating.

### 水贴纸的使用方法:

1. 把相应的印花从水贴纸上剪下, 泡入40°C左右的温水中浸10秒。
2. 然后将印花放在干净布巾上。
3. 带上湿手指, 手指蘸水将印花轻压到模型的位置。
4. 用软干布轻轻按压印花至无气泡, 气泡消失。

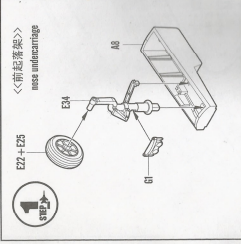
### 部品图 Parts



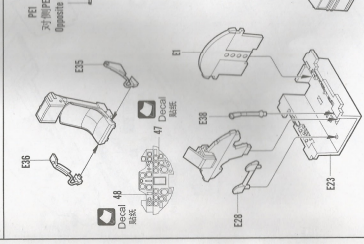
不用部品: All Unused Parts

蚀刻片(附)

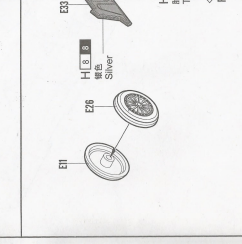
水贴纸 Decal



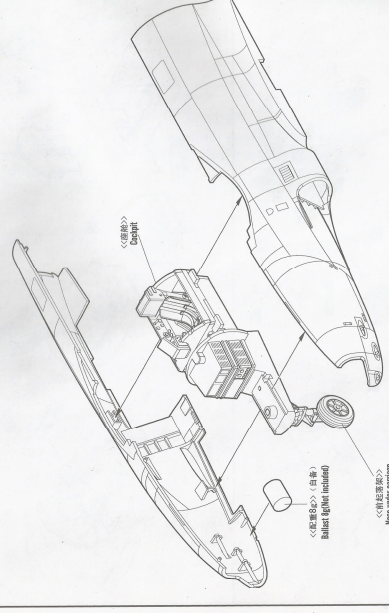
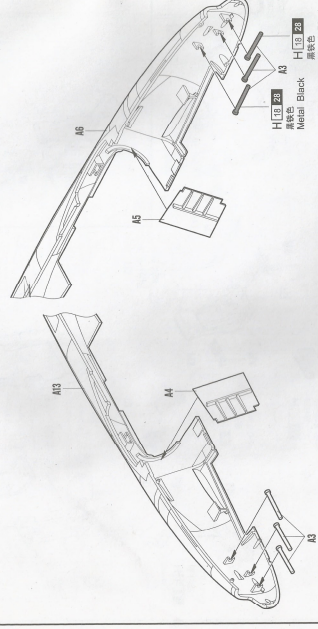
《《前起落架》》  
nose undercarriage



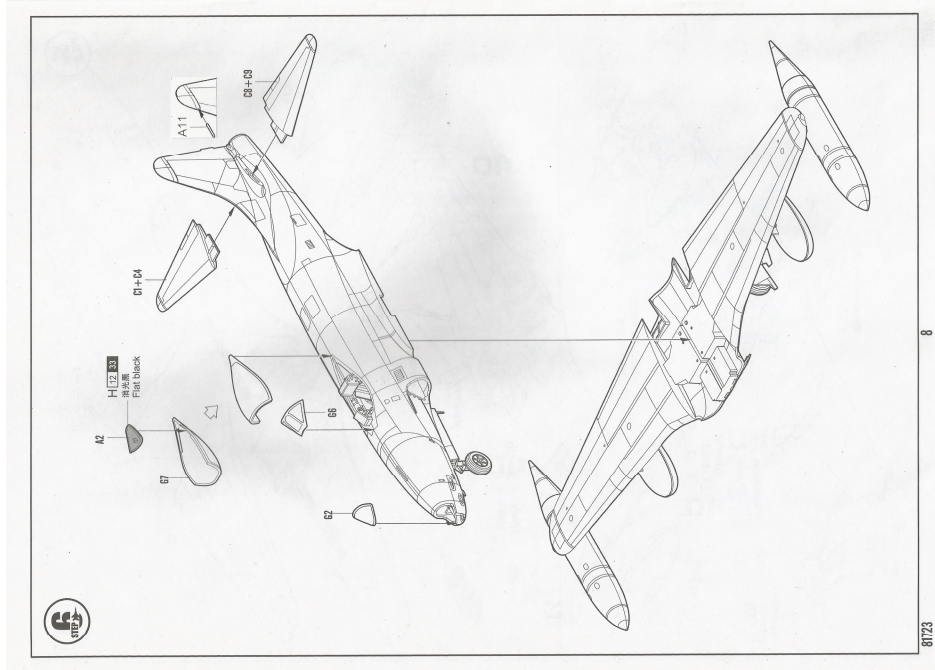
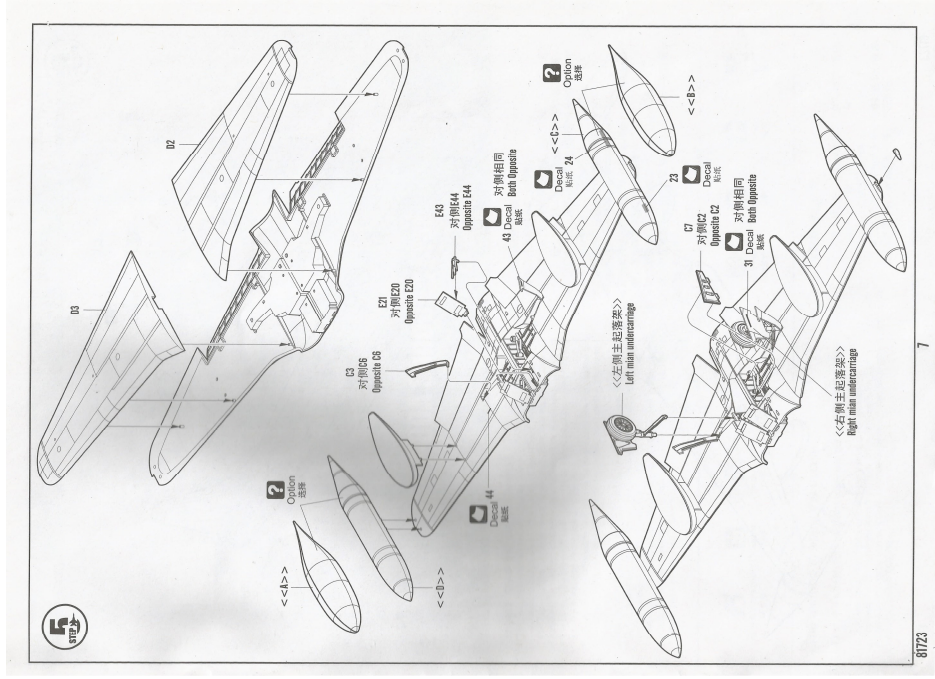
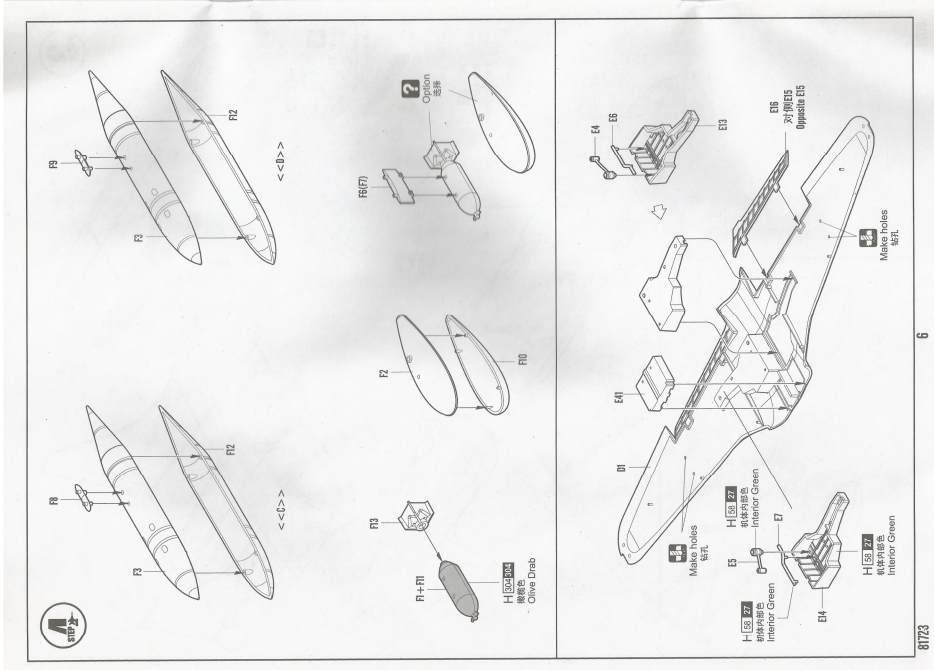
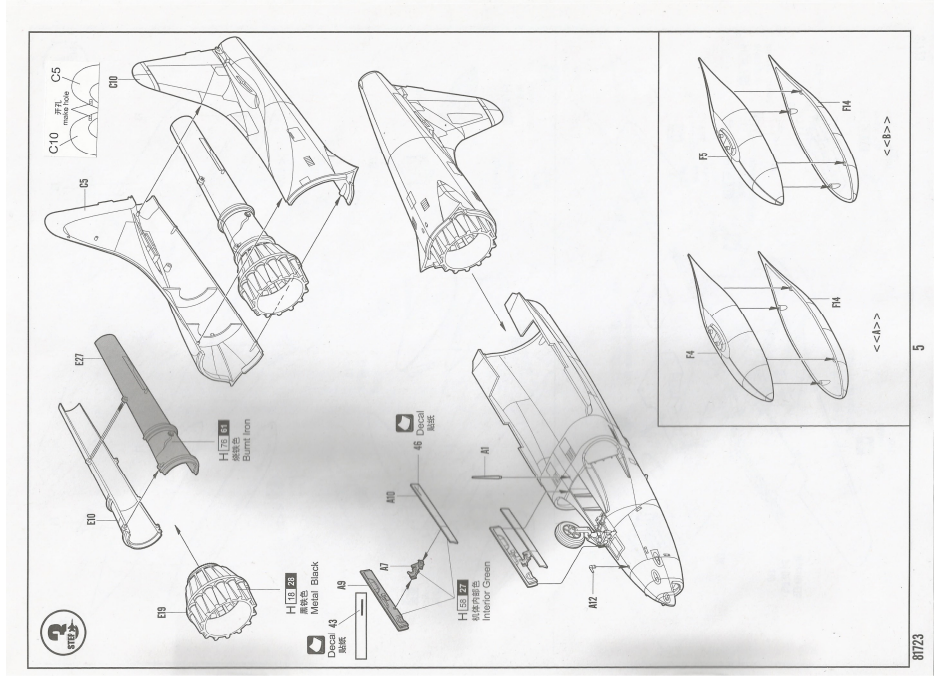
《《主起落架》》  
Decal



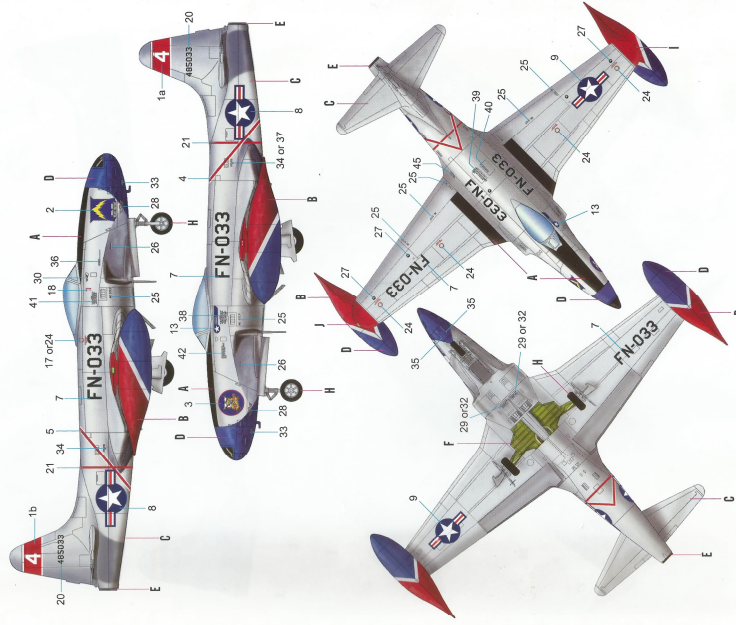
《《右側主起落架》》  
Right main undercarriage



《《主起落架》》  
Main undercarriage



I F-80A-1(44-85033) 61st FS 56th FQ 1948

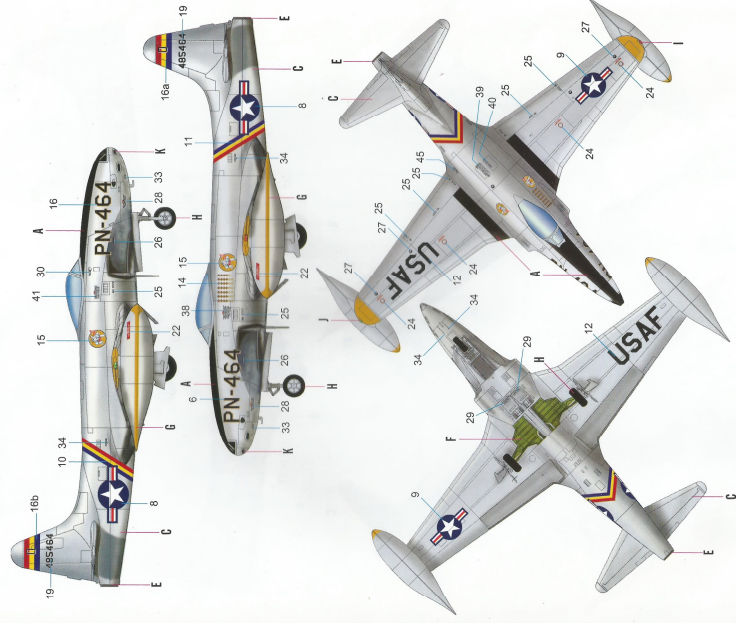


Color	Markings	Markings	Markings	Markings	Markings	Markings
A	Blue	Blue	Blue	Blue	Blue	Blue
B	Red	Red	Red	Red	Red	Red
C	White	White	White	White	White	White
D	Blue	Blue	Blue	Blue	Blue	Blue
E	Red	Red	Red	Red	Red	Red
F	White	White	White	White	White	White
G	Blue	Blue	Blue	Blue	Blue	Blue
H	Red	Red	Red	Red	Red	Red
I	White	White	White	White	White	White
J	Blue	Blue	Blue	Blue	Blue	Blue
K	Red	Red	Red	Red	Red	Red

NO.81723

※Some parts may not be available in your country. Please check your local hobby shop for substitution.

II F-80A-1(44-85464) 56th FQ 1948



Color	Markings	Markings	Markings	Markings	Markings	Markings
A	Blue	Blue	Blue	Blue	Blue	Blue
B	Red	Red	Red	Red	Red	Red
C	White	White	White	White	White	White
D	Blue	Blue	Blue	Blue	Blue	Blue
E	Red	Red	Red	Red	Red	Red
F	White	White	White	White	White	White
G	Blue	Blue	Blue	Blue	Blue	Blue
H	Red	Red	Red	Red	Red	Red
I	White	White	White	White	White	White
J	Blue	Blue	Blue	Blue	Blue	Blue
K	Red	Red	Red	Red	Red	Red

NO.81723

※Some parts may not be available in your country. Please check your local hobby shop for substitution.