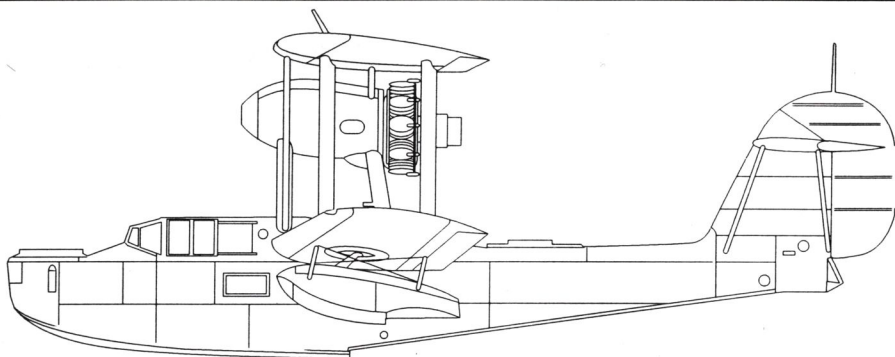




# Classic Airframes



## Supermarine Walrus

The prototype 'Walrus', known as the Seagull V, flew for the first time in June of 1933 and a production order was quickly placed by the Australian government. In 1935 it was ordered by the Royal Navy as the standard amphibian for that service to be used on all Royal Navy ships equipped with catapults.

Somewhere along the line, the name was changed to Walrus except in Australia where it retained its original name. The Walrus established an unrivaled reputation for reliability, operating in every front and performing a fantastic variety of tasks. The Walrus truly provided the eyes of the Fleet, and although gradually superseded in the F.A.A. by the Sea Otter from 1944, it remained in service throughout the War.

After the end of the War it was used in Arctic exploration and as a whale spotter!

The Walrus is best remembered, however, for it's air-sea rescue work with the R.A.F.

### Supermarine Walrus Specifications

|                       |   |                  |  |
|-----------------------|---|------------------|--|
| <b>Powerplant:</b>    | 9-cylinder Bristol Pegasus VI radial engine | <b>Armament:</b> | Two Lewis or Vickers 'K' .303 machine guns |
| <b>Wing Span:</b>     | 45' 10"                                     |                  |  |
| <b>Length:</b>        | 38'   |                  | 2x 250lb. / 8x 20lb. / 6x 100lb. bombs,    |
| <b>Maximum Speed:</b> | 135 mph                                     |                  | or 2x 380lb. Mk. VII depth charges         |

This model kit is intended for experienced modelers. The nature of limited-run kits such as this require additional time and effort to clean up and fit the parts, as well as experience with the various media utilized to provide the most accurate effect on the finished model. Use CyA ('super') glue to assemble Resin (PU) parts.

Classic Airframes • A Division of Bringuier Aviation Products  
P.O. Box 577580 Chicago, IL 60657-7580 USA

Assembly Instruction Symbols



MULTIPLE ASSEMBLIES



BEND



OPTIONAL



DRILL



CUT



SYMMETRICAL ASSEMBLIES

Paint Reference Guide

**A** Interior Green FS 34226

**C** Aluminum \_\_\_\_\_

**E** Light Tan (Buff) FS 33711

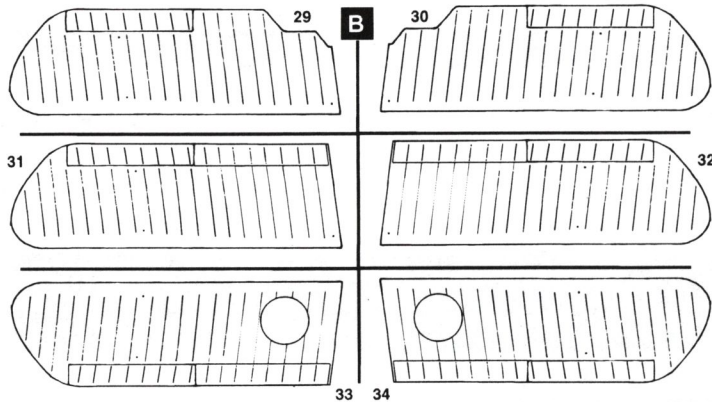
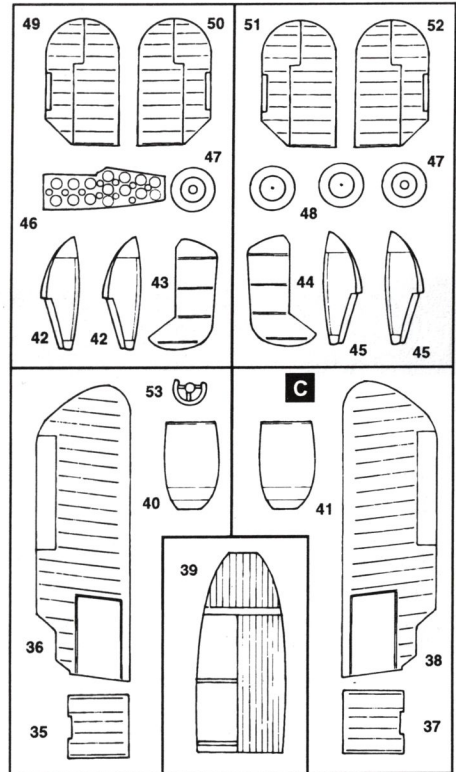
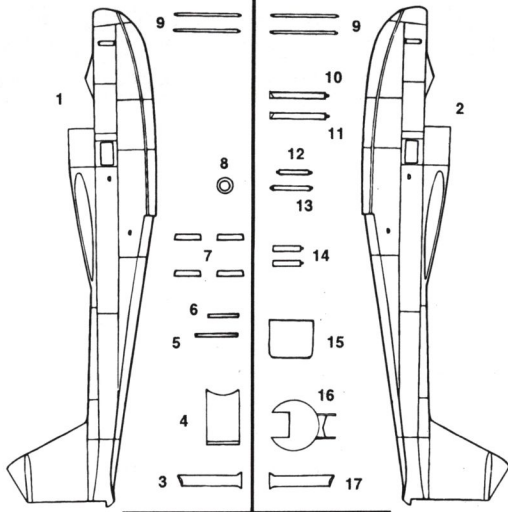
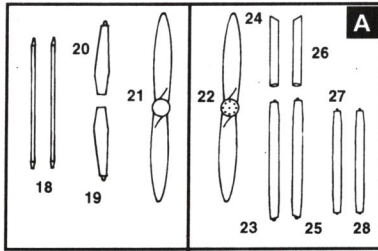
**B** Night (Black) FS 37030

**D** Rusty Brown \_\_\_\_\_

**F** Gunmetal \_\_\_\_\_

Parts

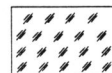
PLASTIC PARTS



CLEAR PARTS



Clear Sheet

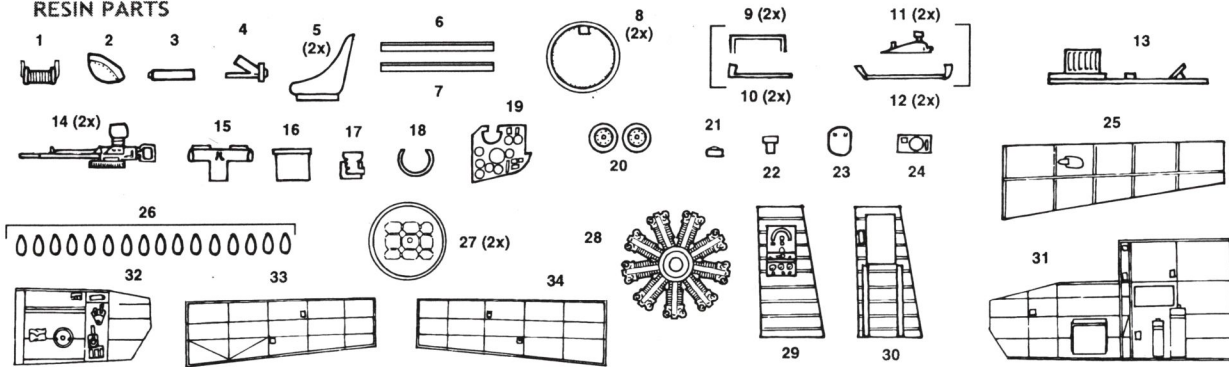


C1

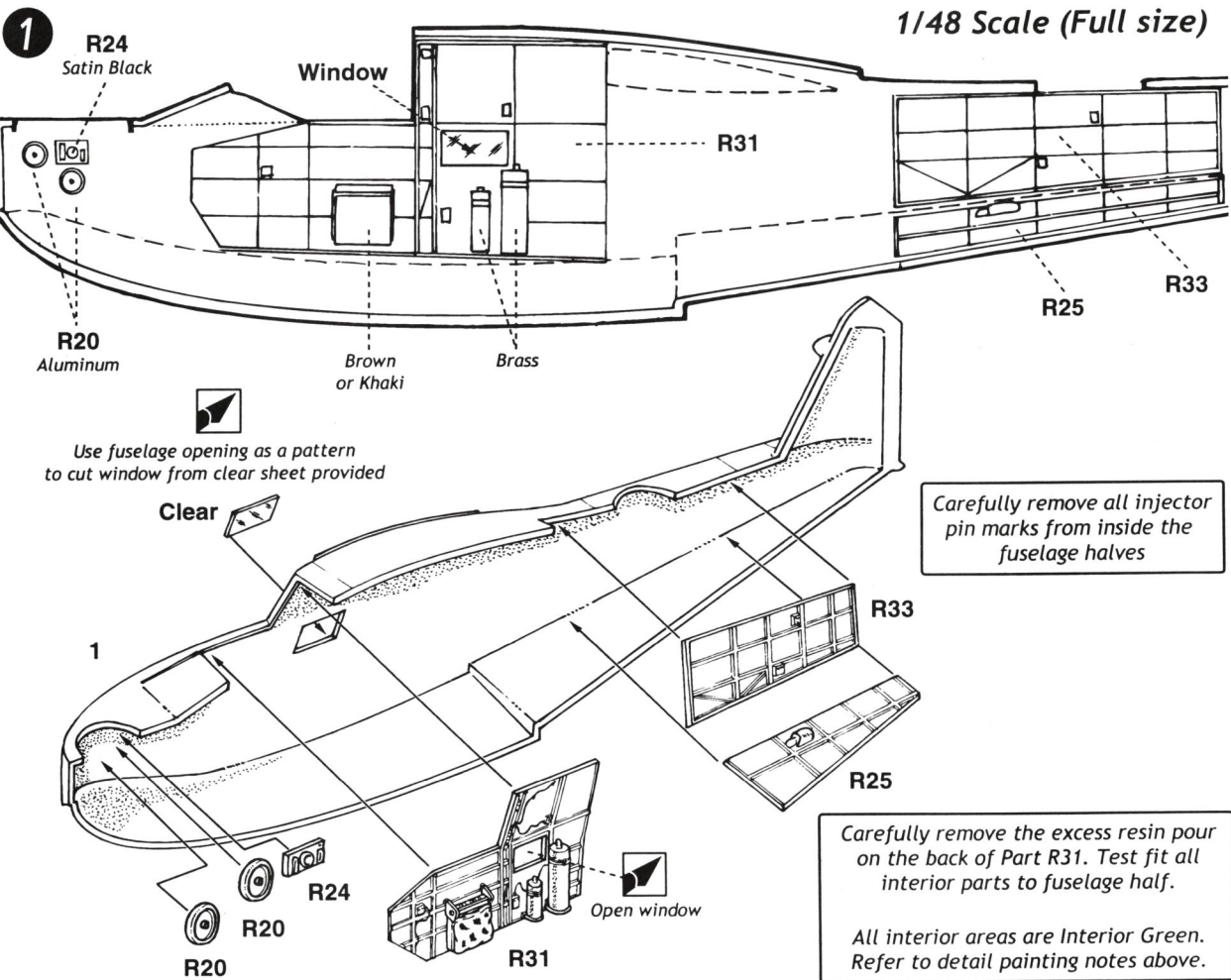


C2

**RESIN PARTS**



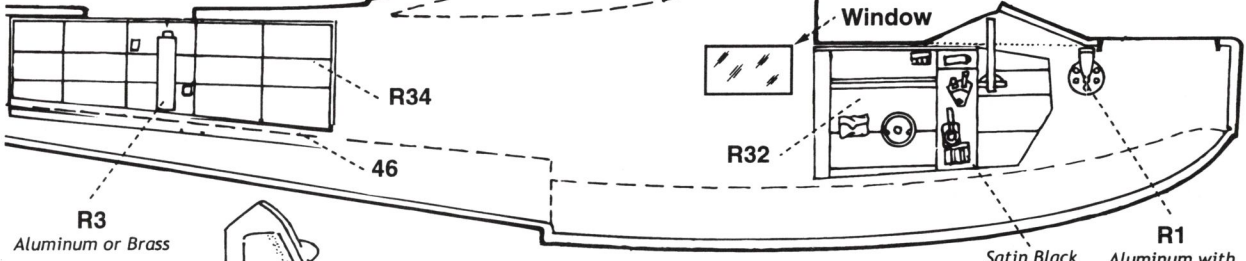
*It is highly recommended to review the entire instruction sheet before beginning construction to familiarize yourself with part relationships. Dry fitting of all components before gluing, especially interior parts, will ease construction.*





2

1/48 Scale (Full size)



R3 Aluminum or Brass

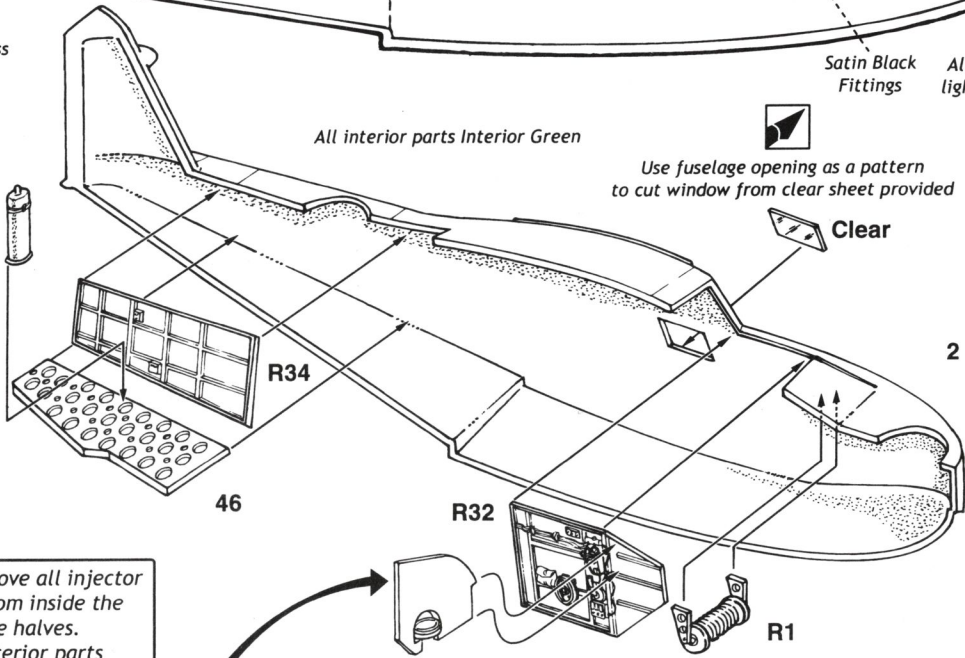
All interior parts Interior Green

Use fuselage opening as a pattern to cut window from clear sheet provided

R3



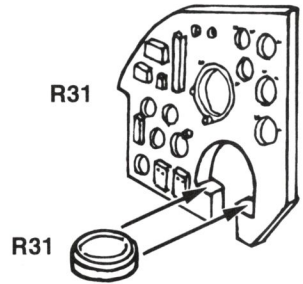
Clear



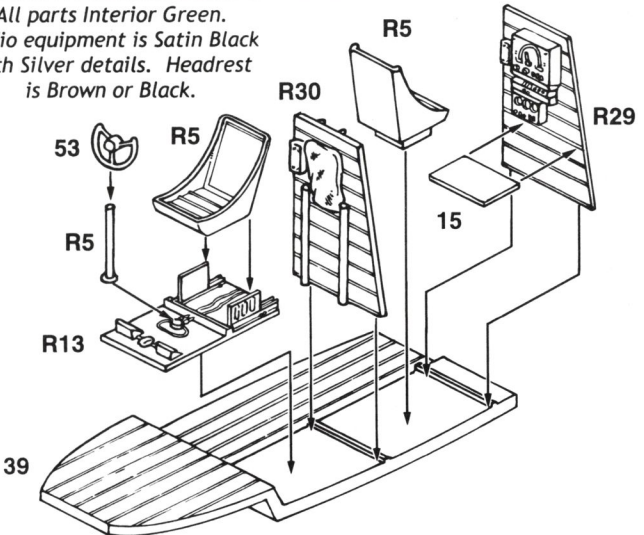
Carefully remove all injector pin marks from inside the fuselage halves. Dry-fit interior parts before gluing.

3

All parts Interior Green. Radio equipment is Satin Black with Silver details. Headrest is Brown or Black.

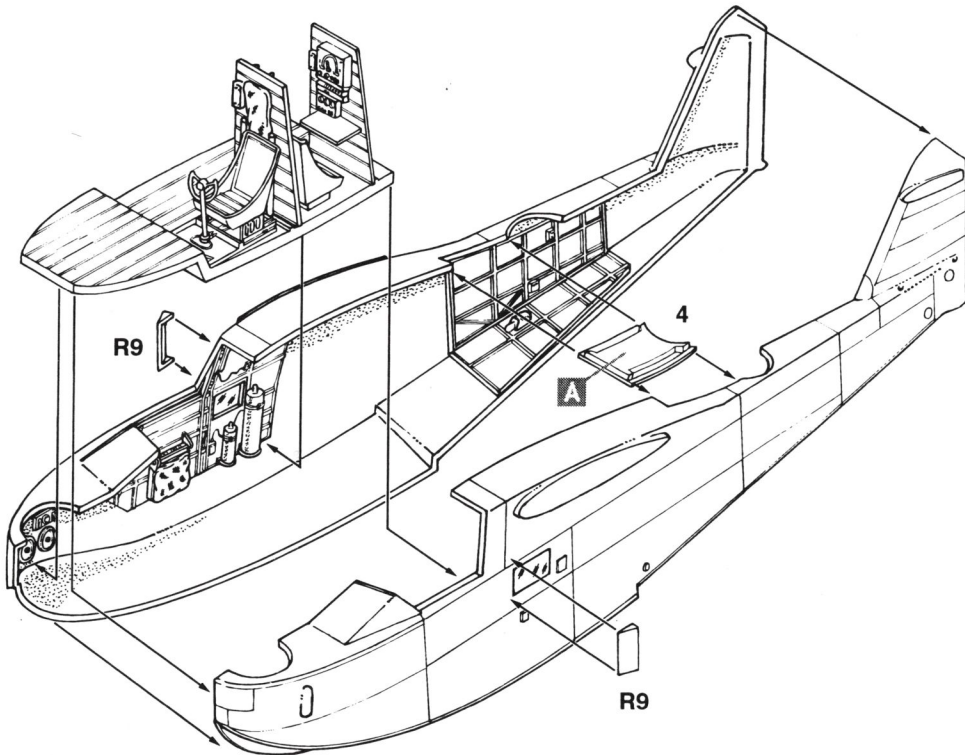


Instrument panel is Satin Black with Silver details. Compass (R21) is Satin Black with a glossy Black top.

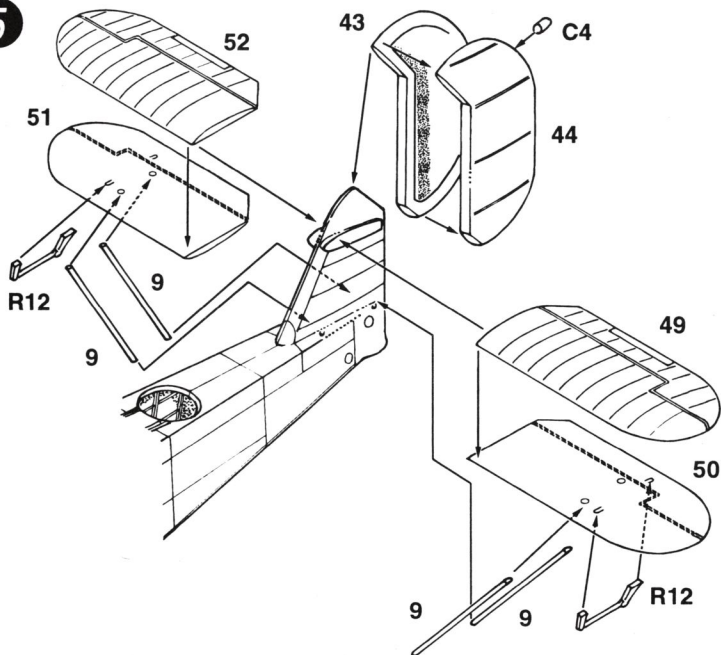




4



5



15mm (19/32")

90°

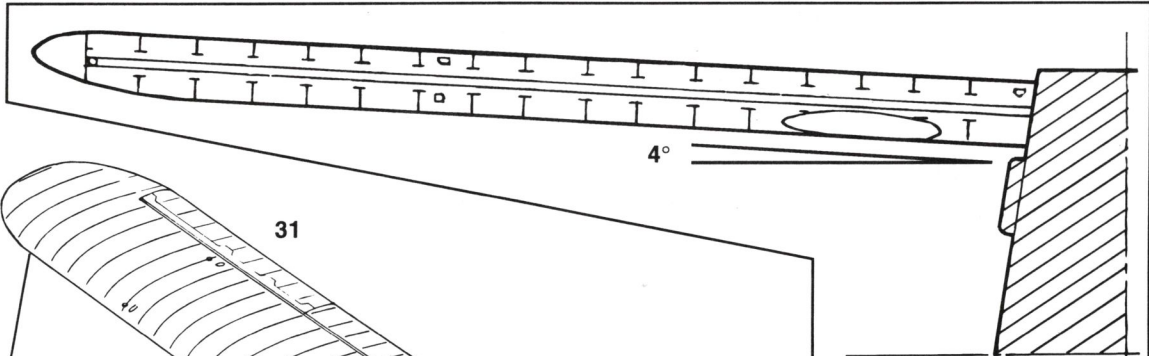
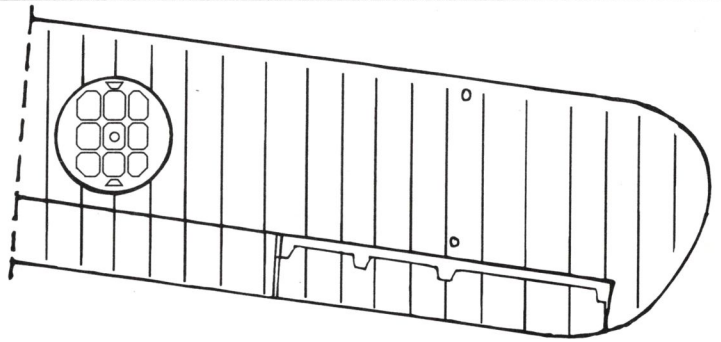
R12

1/48 Scale (Full size)

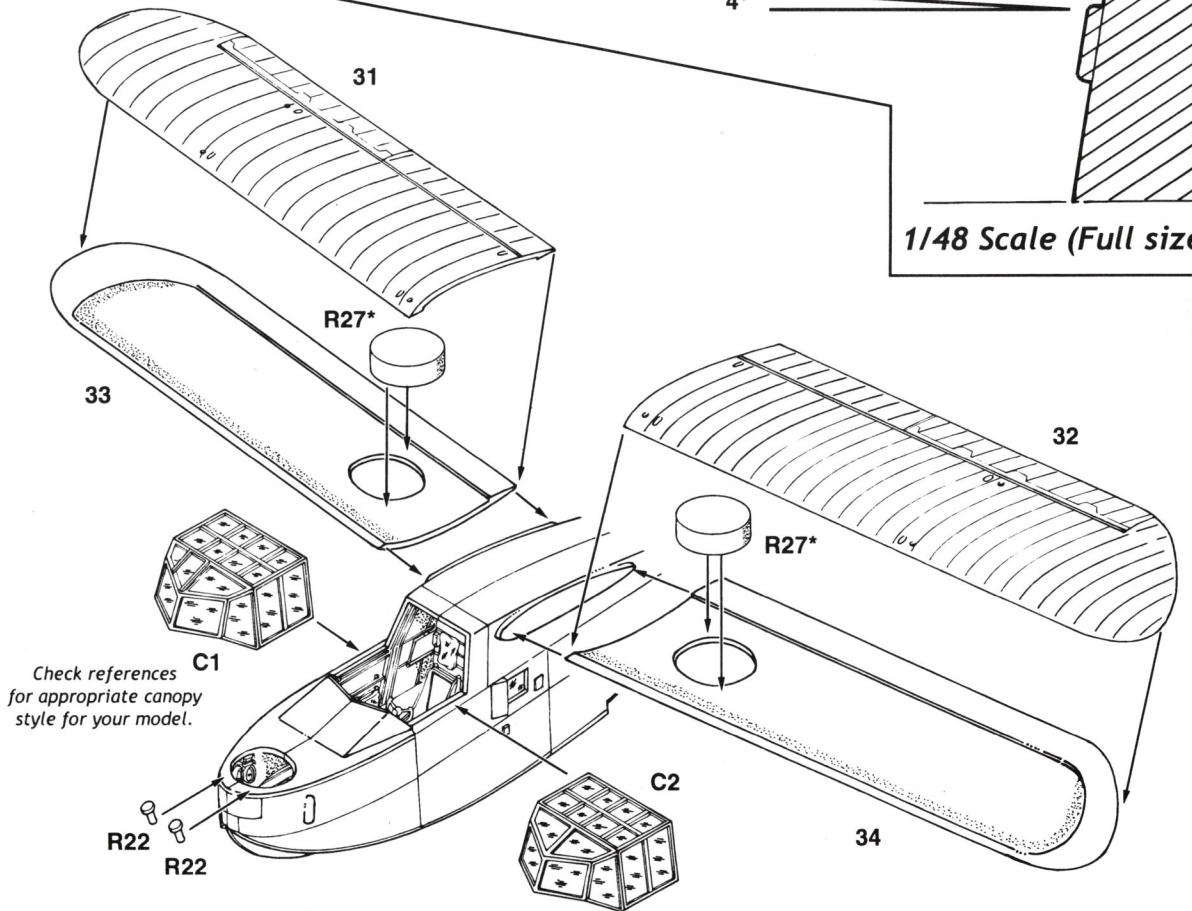
6

Note position of parts R27 in wing.

\*Parts R27 will need to have the excess resin pour removed from their tops to fit properly. Sand carefully and constantly check fit of resin and plastic parts.



1/48 Scale (Full size)



Check references for appropriate canopy style for your model.

R22  
R22

C1

C2

R27\*

31

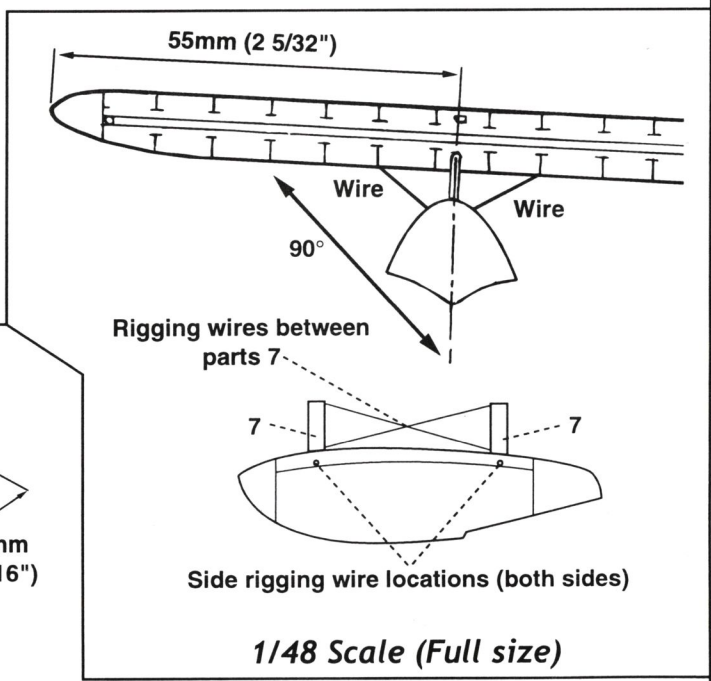
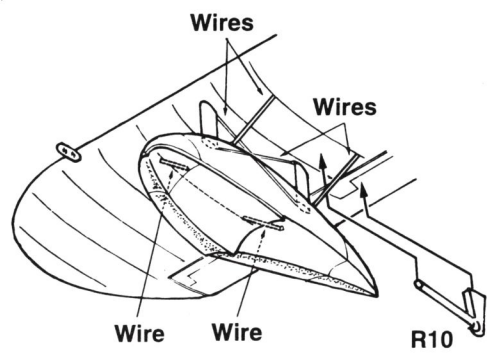
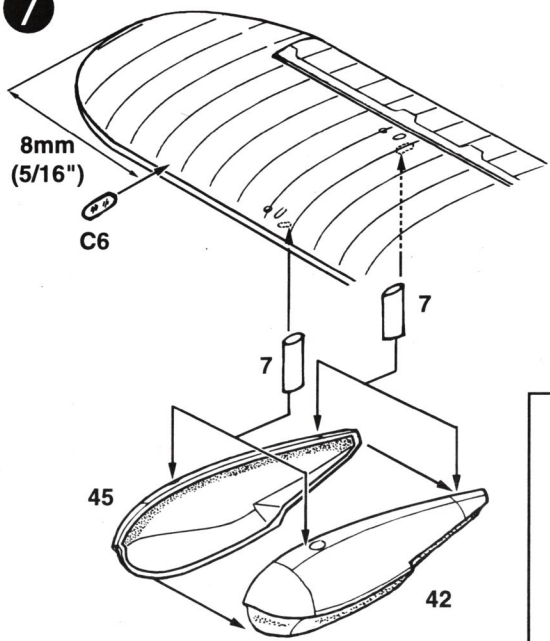
33

R27\*

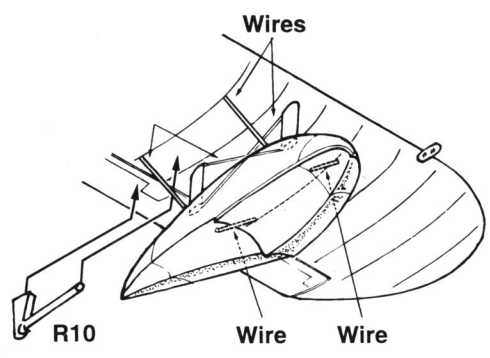
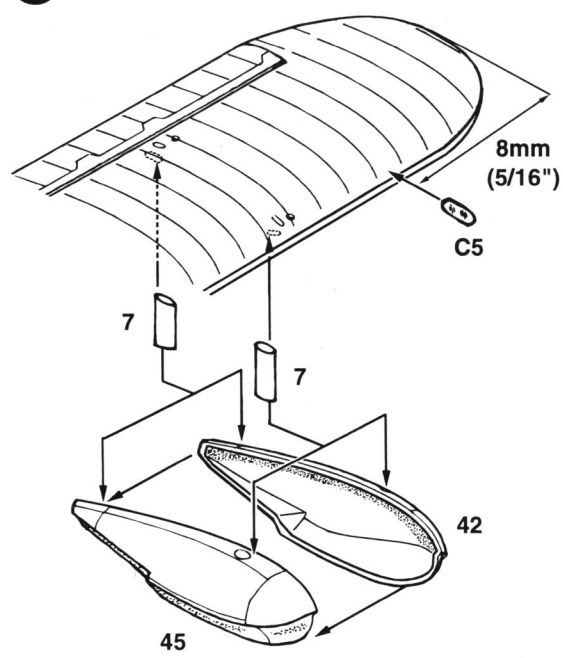
32

34

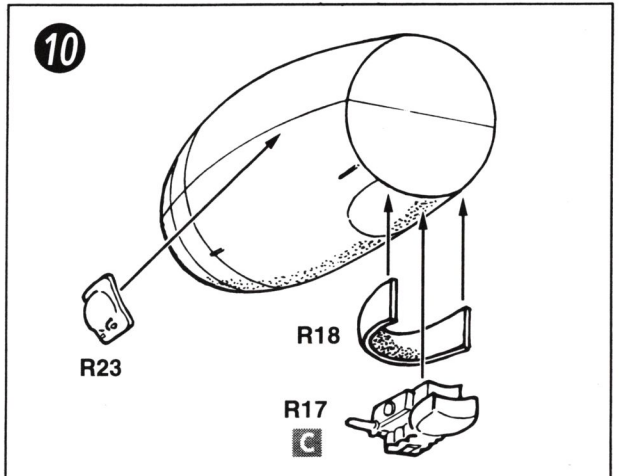
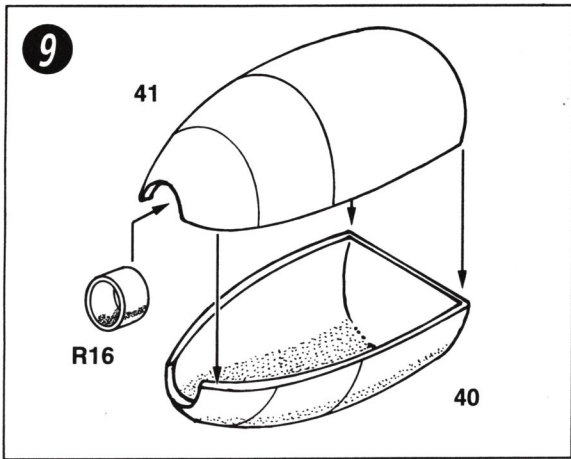
**7**



**8**

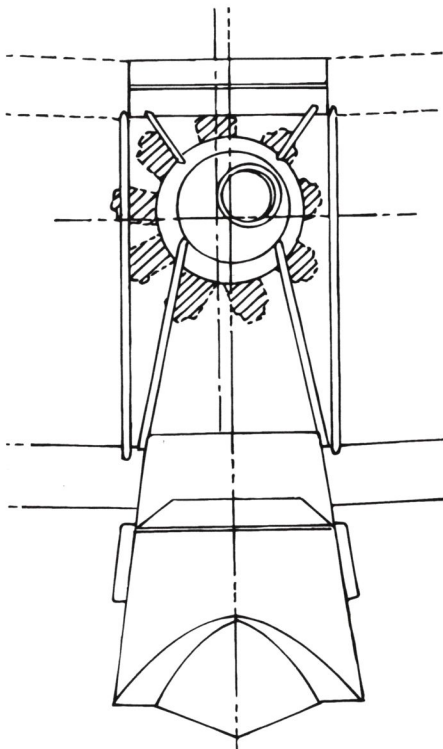




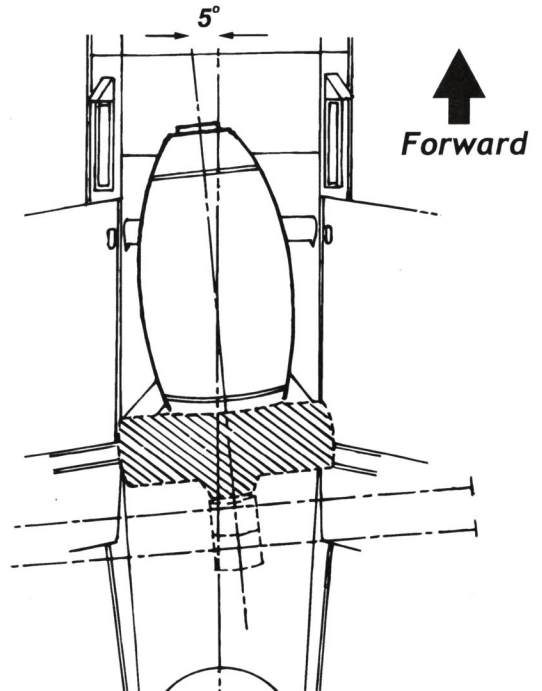


*Refer to Rigging Diagram on last page for locations of rigging wires on the engine nacelle. It is recommended to pre-drill holes for rigging before proceeding to Step 11.*

**1/48 Scale (Full size)** •Refer to these drawings during Steps 11 and 12 to align the engine nacelle and upper wing center section.



**Front View**



**Upper View**

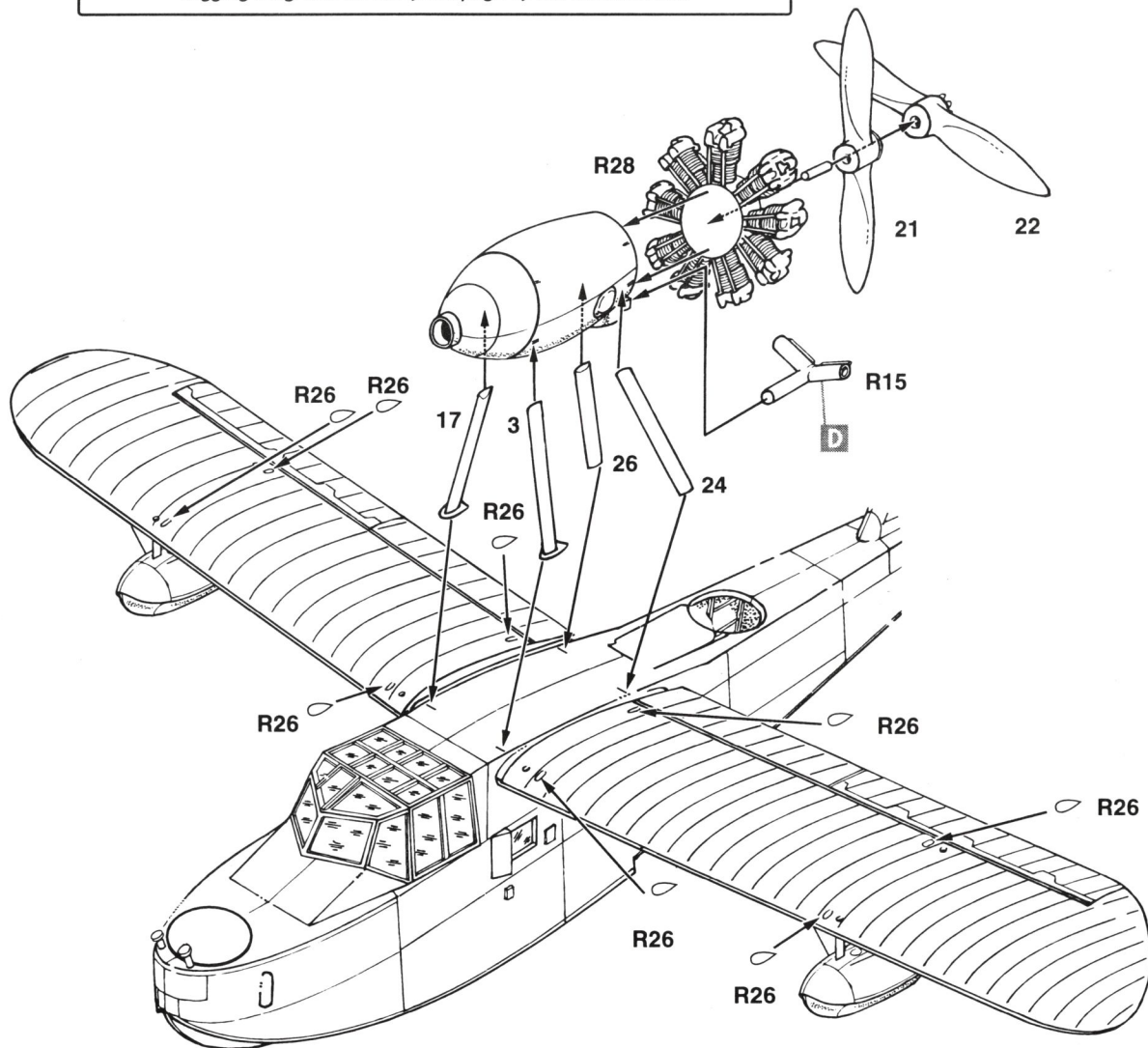
**11****NOTE**

Due to the complexity of the engine nacelle, wing, and strut assemblies, it is advised to consult Steps 12 and 13 at this point in construction.

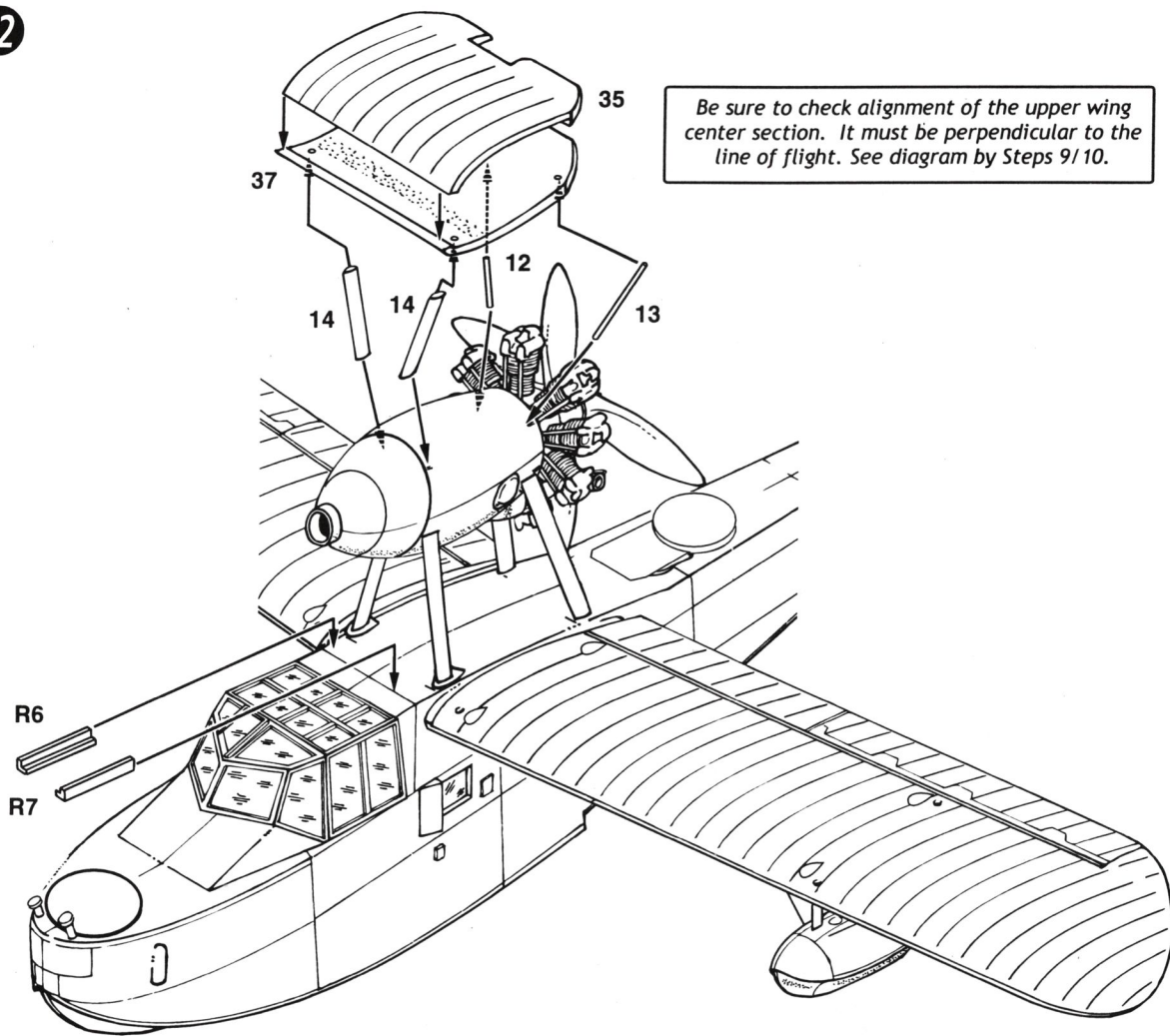
It is advisable to pre-paint major components before assembly.

It is also advisable to pre-drill any rigging holes before assembling the nacelle and wing structures. Consult notes in Steps 12 and 13 and the Rigging Diagrams on the final page of the instructions.

Orient propeller blades 21/22 at 90° to each other. Blades were Flat Black with Yellow tips.

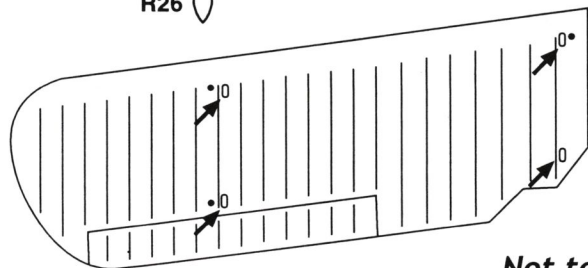
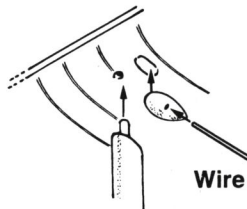
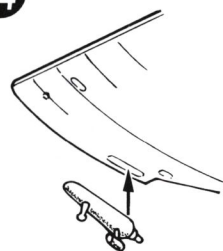


Note position of parts R26 on lower wing. It is advisable to pre-drill these for rigging. See diagram in Step 13 and Rigging Diagram.

**12****13**

Attach parts R26 to underside of both upper wings as shown (four per wing). Note the scribed locators relative to the strut mounting holes. It is advised to pre-drill holes in these parts for rigging wire later.

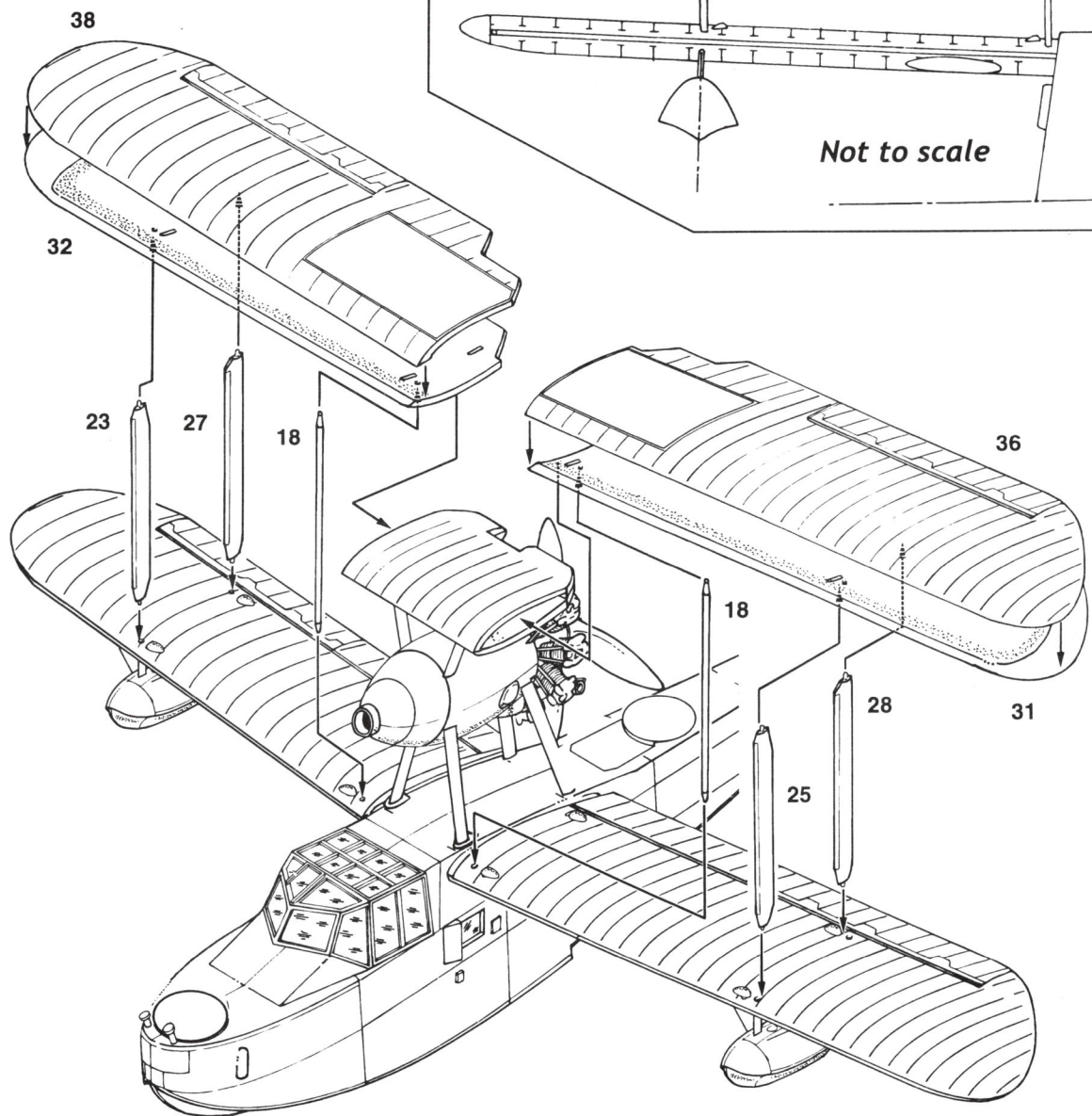
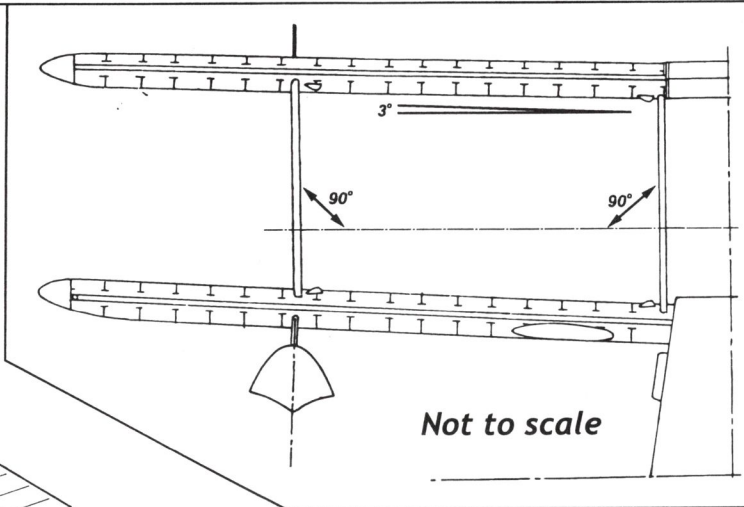
R26

**Not to scale****14**

Attach part R11 under left upper wing as shown

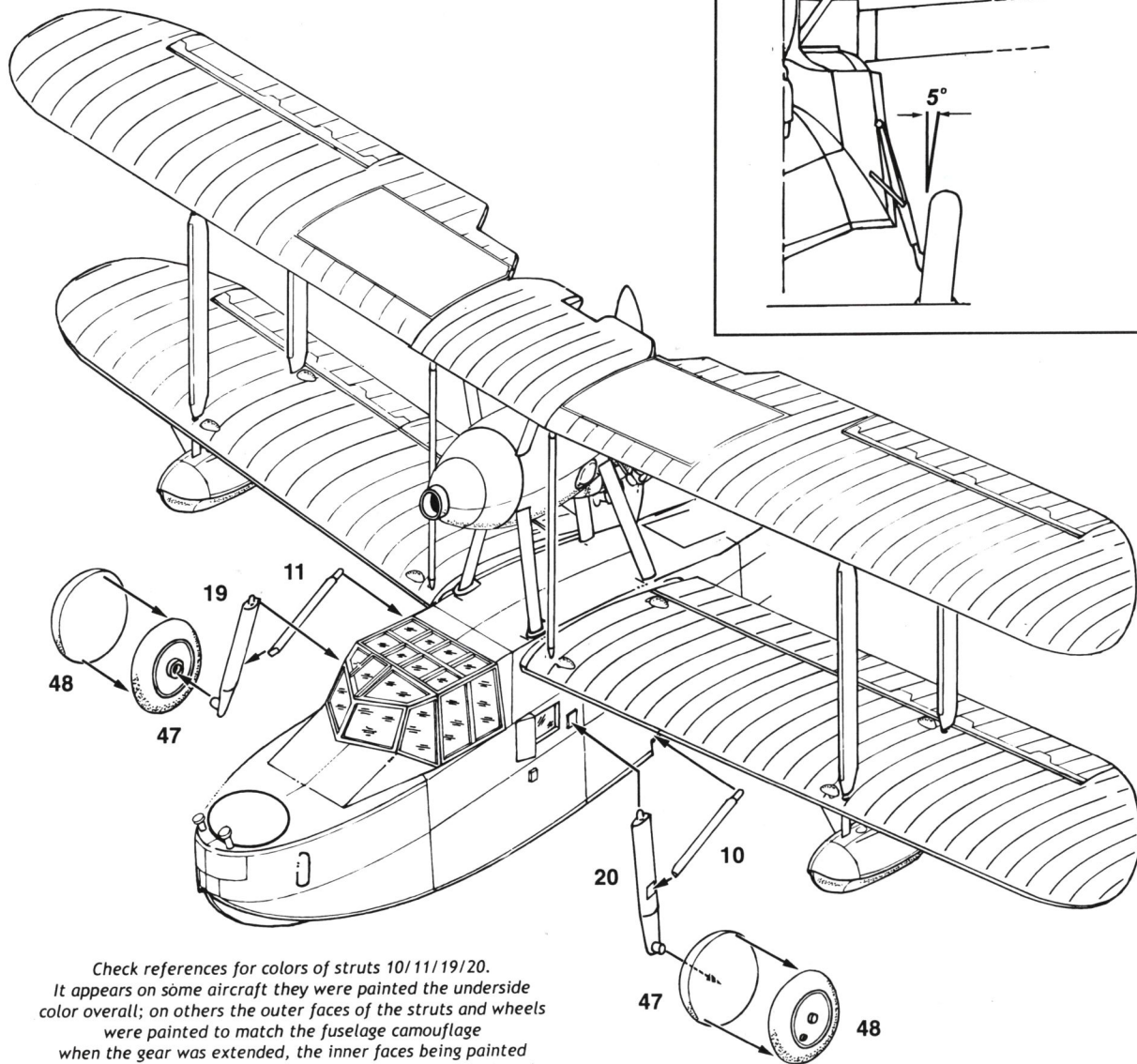


15



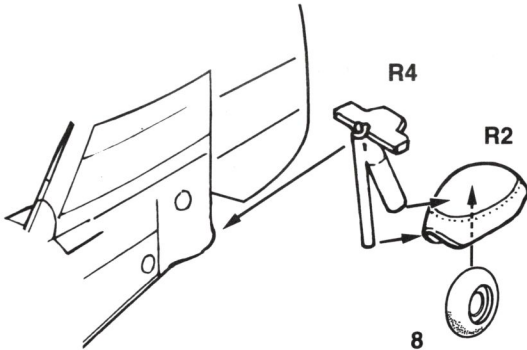
16

1/48 Scale (Full size)

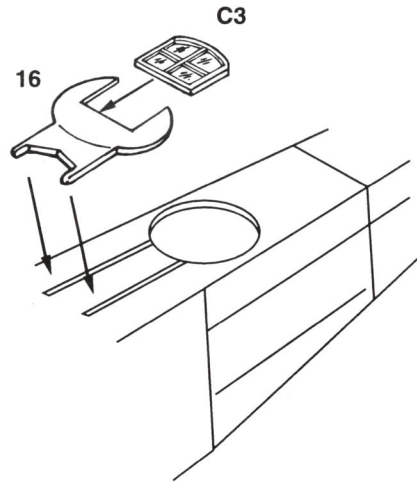


Check references for colors of struts 10/11/19/20.  
 It appears on some aircraft they were painted the underside color overall; on others the outer faces of the struts and wheels were painted to match the fuselage camouflage when the gear was extended, the inner faces being painted in the underside camouflage color to match the wing underside when the gear was retracted.

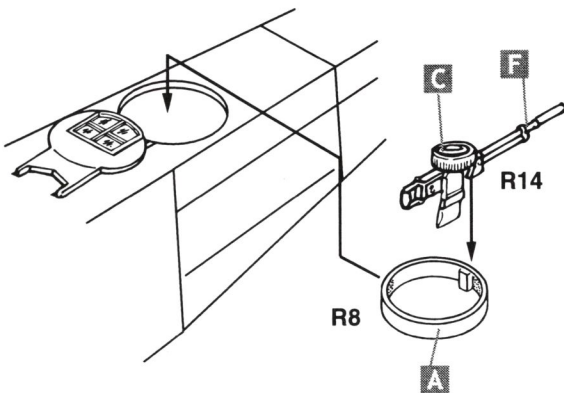
### 17 Tailwheel



### 18 Rear Hatch

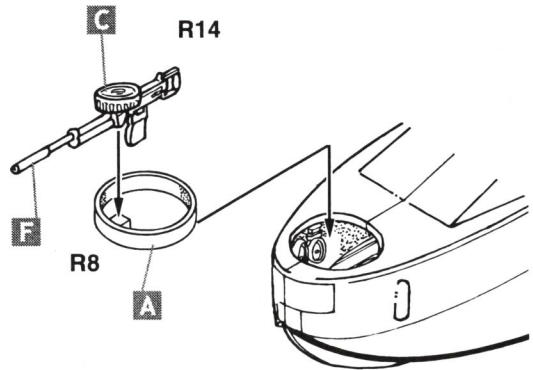


### 19 Rear Gun



Hollow gun ring R8 by gently sanding away the resin overpour on the bottom.

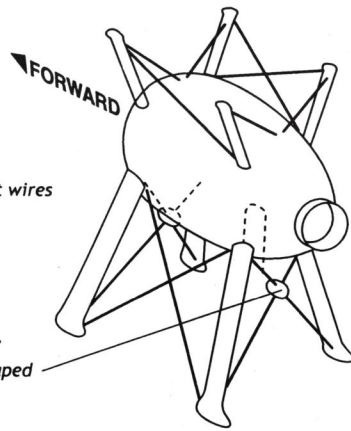
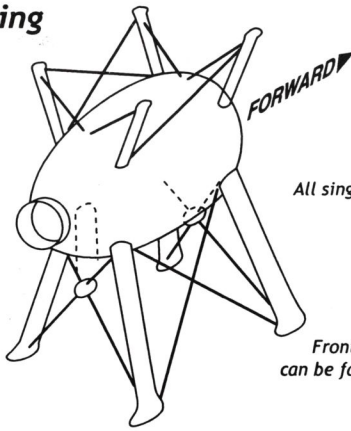
### 20 Nose Gun



Hollow gun ring R8 by gently sanding away the resin overpour on the bottom.



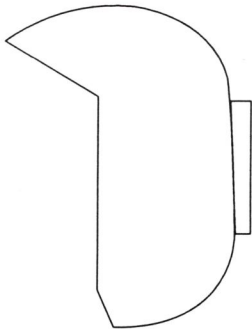
## Nacelle Rigging



All single medium-weight wires

Front and rear 'acorns' can be fabricated from shaped styrene rod

## Rudder Trim Tab



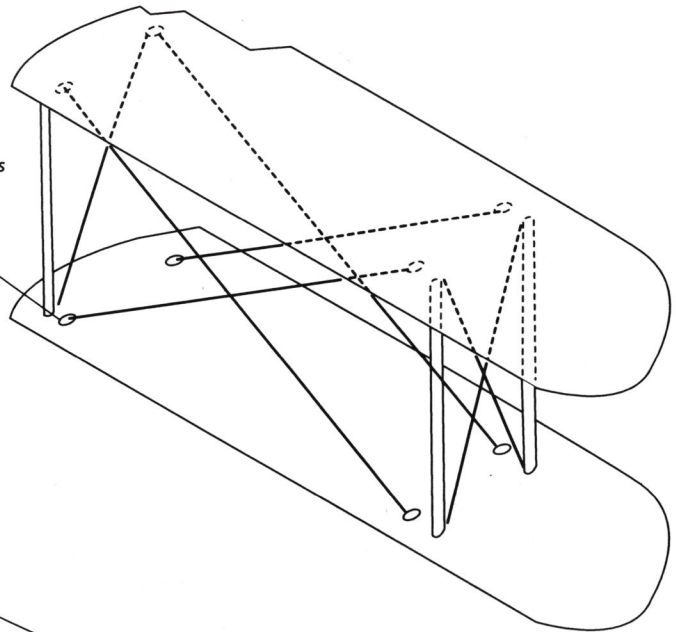
Full-size template  
Make tab from .015 styrene sheet

## Wing Rigging

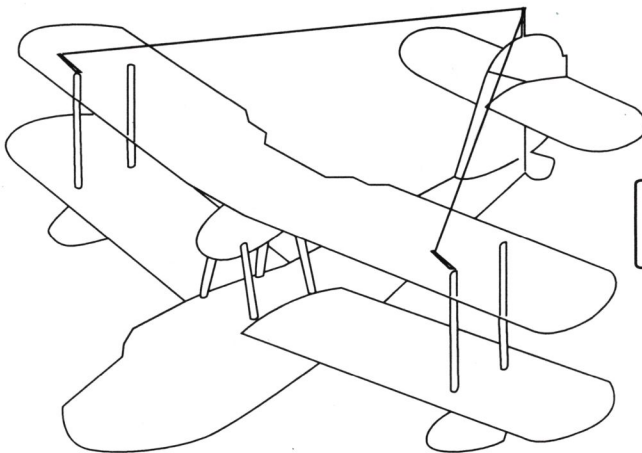
Left wing shown—  
right wing is symmetrical

All single medium-weight wires

Note ovals represent  
parts R26, top of lower wing  
and bottom of upper wing



## Antenna Rigging



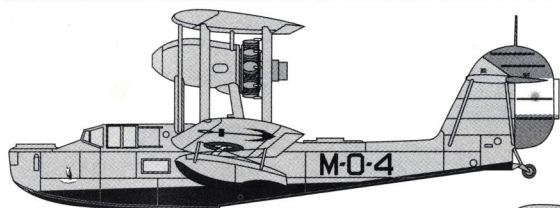
This represents the antenna installation on a typical Walrus.  
Note the small, forward-swept antenna masts on upper wings  
were mounted directly above the forward interplane strut.

Wing mast template  
Full-size

Rudder mast template  
Full-size

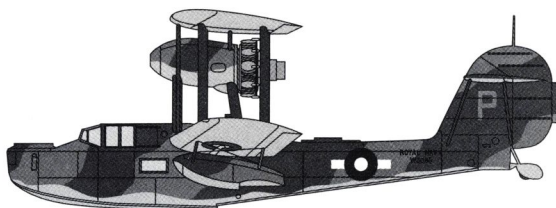


# Classic Airframes Decals



Armada Argentina, late 1940s

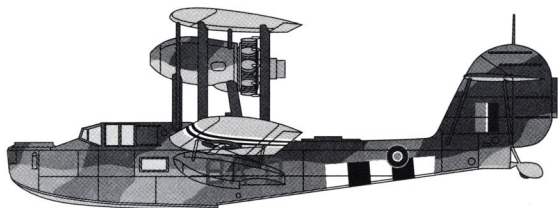
HMS Victorious, 1945



## Supermarine Walrus 1/48 Scale

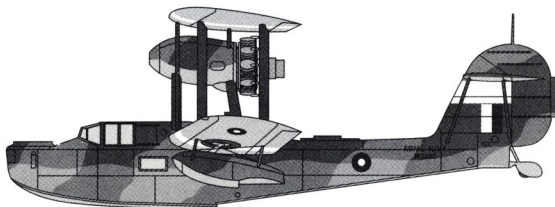
Sheet 48-006

Supplemental Decal Sheet for Classic Airframes Kit # 451  
Printed in USA by Microscale



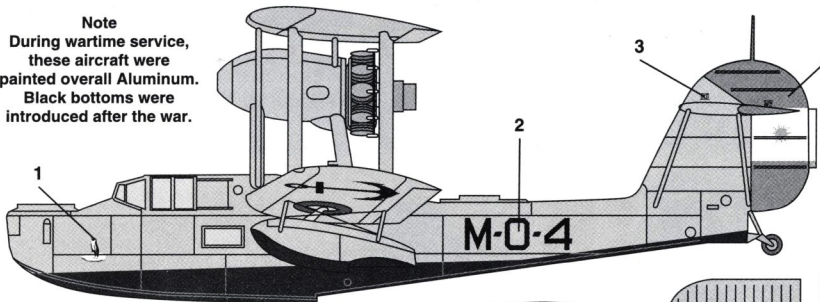
277 Squadron,  
Normandy Invasion

1700 NAS, HMS Ameer, 1945

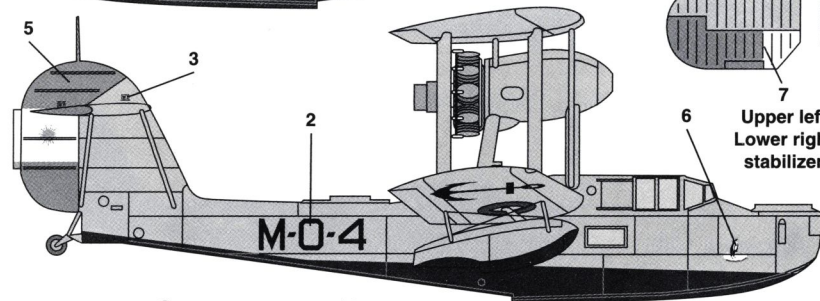


# Aircraft #1 • Walrus I, Armada Argentina, late 1940s

Note  
During wartime service,  
these aircraft were  
painted overall Aluminum.  
Black bottoms were  
introduced after the war.



Rudder decals 4/5  
are intentionally  
oversize to fit the  
rudder trim tab.  
Trim to fit.



7  
Upper left  
Lower right  
stabilizer

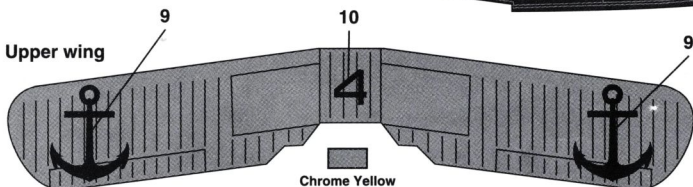
8  
Upper right  
Lower left  
stabilizer



Aluminum



Black



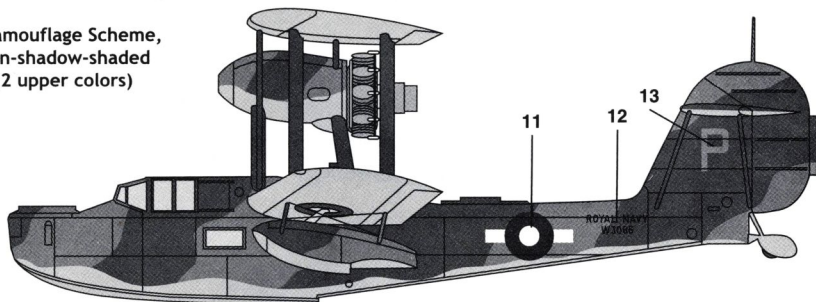
Chrome Yellow  
-FS 13538

Lower wings are Aluminum  
top and bottom, decals 9  
in same position under wings  
as on upper wing.

Wing walk locations are the  
same as other aircraft.

# Aircraft #2 • Walrus I, HMS Victorious, Japan, 1945

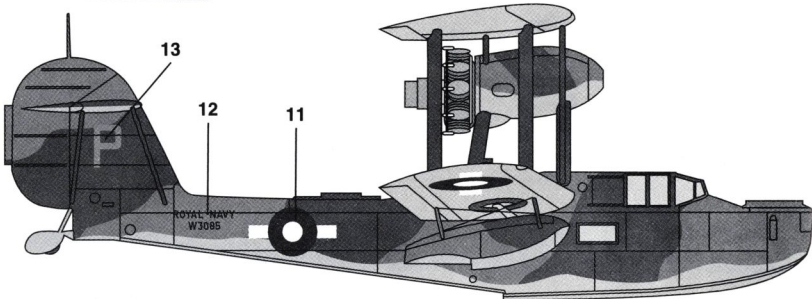
B Camouflage Scheme,  
Non-shadow-shaded  
(2 upper colors)



Extra Dark Sea Grey  
FS 36118

Dark Slate Grey  
FS 34096

Sky  
FS 34504





## Aircraft #3 • Walrus II, 277 Squadron, Normandy Invasion, 1944

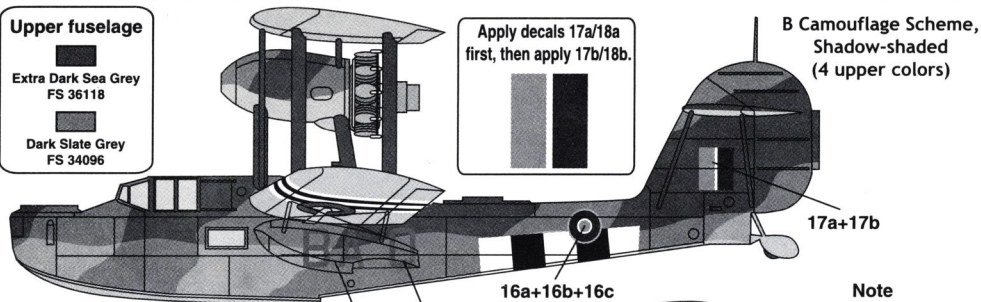
### Upper fuselage

Extra Dark Sea Grey  
FS 36118

Dark Slate Grey  
FS 34096

Apply decals 17a/18a  
first, then apply 17b/18b.

B Camouflage Scheme,  
Shadow-shaded  
(4 upper colors)



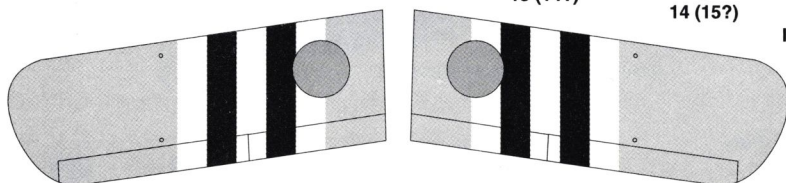
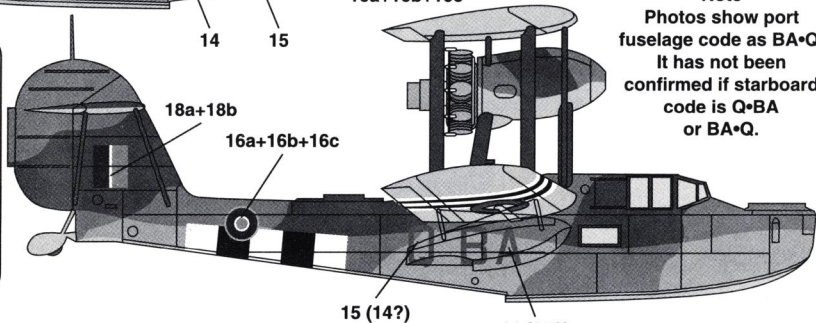
### Lower fuselage

Dark Sea Grey  
FS 36173

Light Slate Grey  
FS 34159

Sky  
FS 34504

Note  
Photos show port  
fuselage code as BA•Q.  
It has not been  
confirmed if starboard  
code is Q•BA  
or BA•Q.



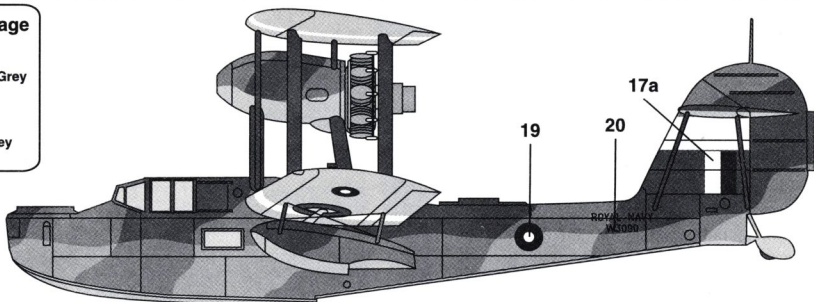
Invasion stripes under  
lower wing. On the  
actual aircraft  
the stripes were  
painted on very  
crudely, with  
ragged edges.

## Aircraft #4 • Walrus I, 1700 NAS, HMS Ameer, 1945

### Upper fuselage

Extra Dark Sea Grey  
FS 36118

Dark Slate Grey  
FS 34096



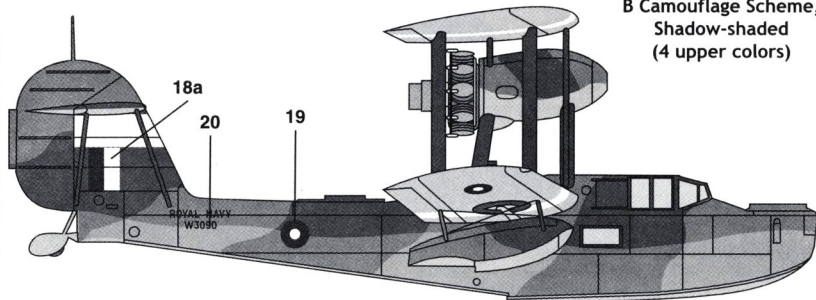
### Lower fuselage

Dark Sea Grey  
FS 36173

Light Slate Grey  
FS 34159

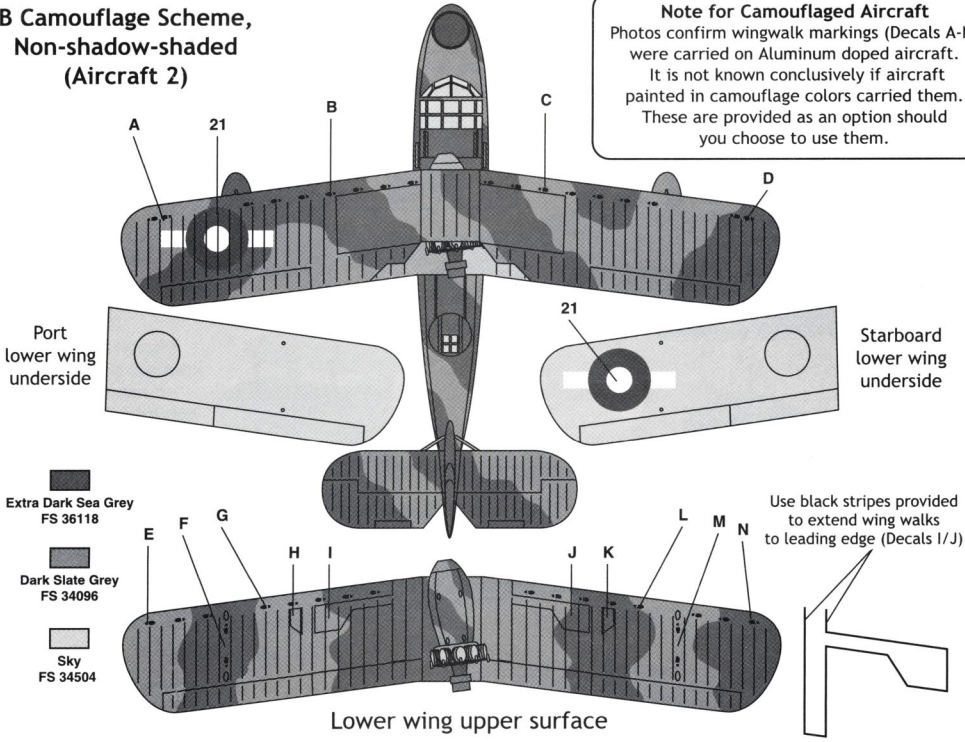
Sky  
FS 34504

B Camouflage Scheme,  
Shadow-shaded  
(4 upper colors)

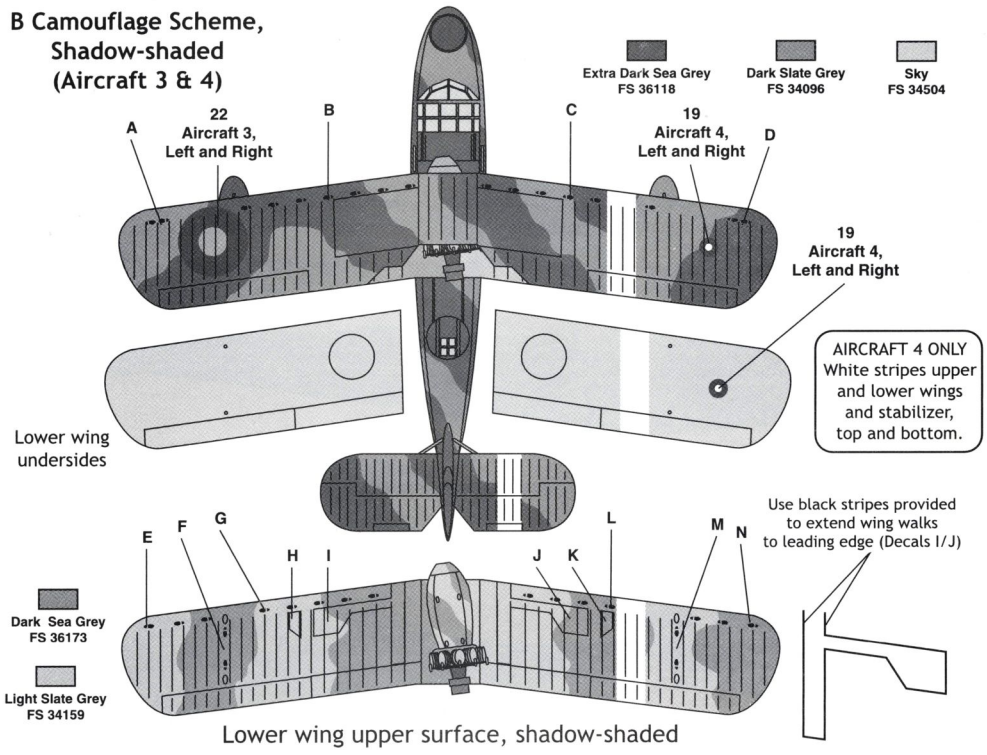


**B Camouflage Scheme,  
Non-shadow-shaded  
(Aircraft 2)**

**Note for Camouflaged Aircraft**  
Photos confirm wingwalk markings (Decals A-N) were carried on Aluminum doped aircraft. It is not known conclusively if aircraft painted in camouflage colors carried them. These are provided as an option should you choose to use them.



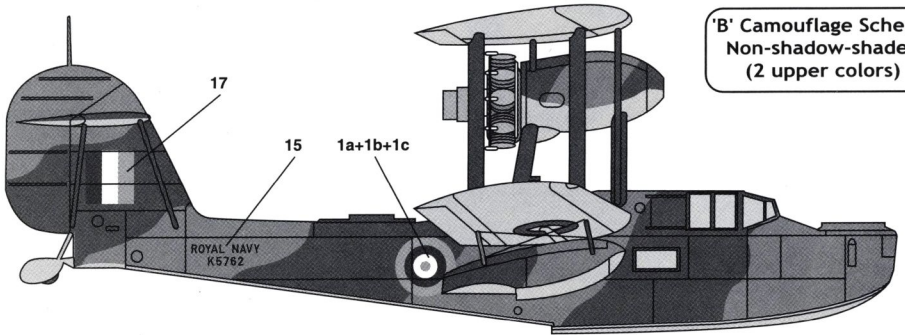
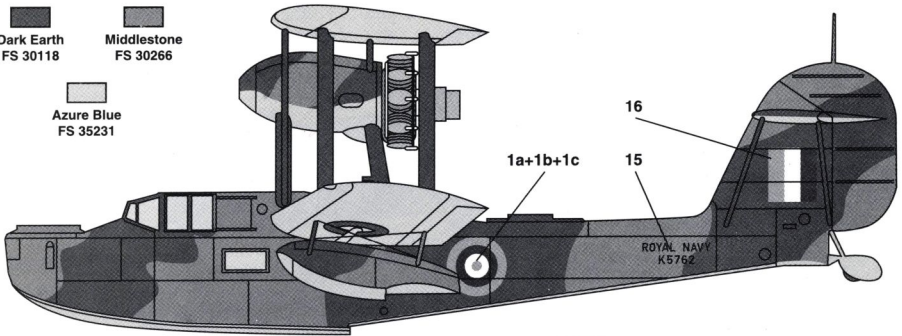
**B Camouflage Scheme,  
Shadow-shaded  
(Aircraft 3 & 4)**





# Supermarine Walrus *PAINTING & MARKING GUIDE*

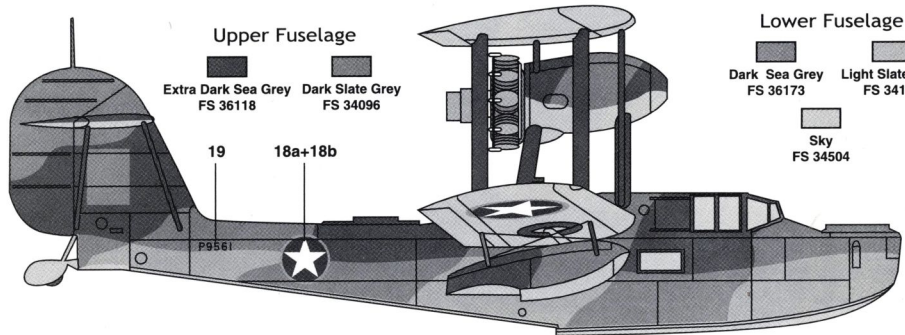
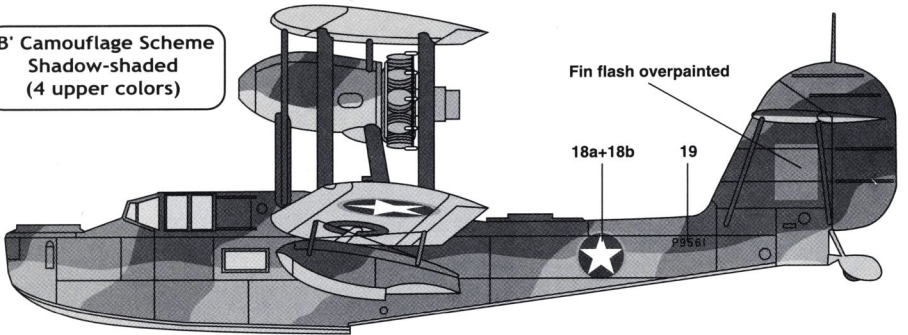
-  Dark Earth  
FS 30118
-  Middlestone  
FS 30266
-  Azure Blue  
FS 35231








'B' Camouflage Scheme  
Non-shadow-shaded  
(2 upper colors)

No. 700 Squadron, Aboukir

'B' Camouflage Scheme  
Shadow-shaded  
(4 upper colors)



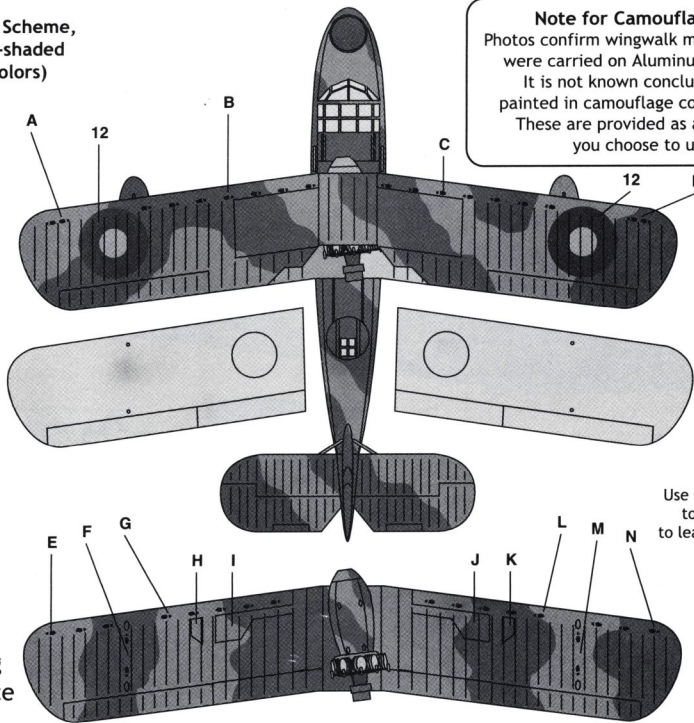
- Upper Fuselage**
-  Extra Dark Sea Grey  
FS 36118
  -  Dark Slate Grey  
FS 34096

- Lower Fuselage**
-  Dark Sea Grey  
FS 36173
  -  Light Slate Grey  
FS 34159
  -  Sky  
FS 34504

P9561, HMS Cumberland, Operation Torch, November 1942

**B Camouflage Scheme,  
Non-shadow-shaded  
(2 upper colors)**

**Note for Camouflaged Aircraft**  
Photos confirm wingwalk markings (Decals A-N) were carried on Aluminum doped aircraft. It is not known conclusively if aircraft painted in camouflage colors carried them. These are provided as an option should you choose to use them.



-  Dark Earth  
FS 30118
-  Middletone  
FS 30266
-  Azure Blue  
FS 35231

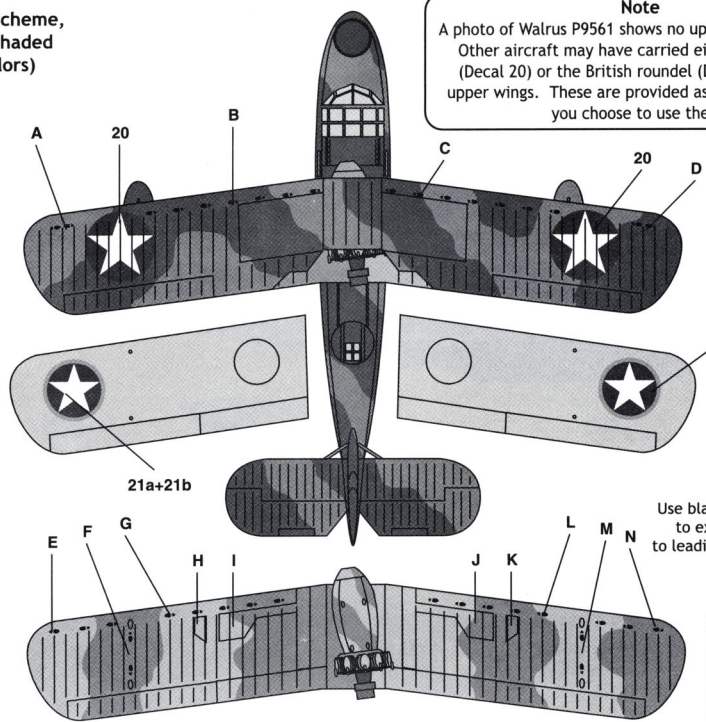
Lower wing undersides

Use black stripes provided to extend wing walks to leading edge (Decals I/J)

Lower wing upper surface

**B Camouflage Scheme,  
Non-shadow-shaded  
(4 upper colors)**

**Note**  
A photo of Walrus P9561 shows no upper wing insignias. Other aircraft may have carried either the US star (Decal 20) or the British roundel (Decal 12) on the upper wings. These are provided as an option should you choose to use them.



-  Extra Dark Sea Grey  
FS 36118
-  Dark Slate Grey  
FS 34096
-  Sky Grey  
FS 36463

Lower wing undersides

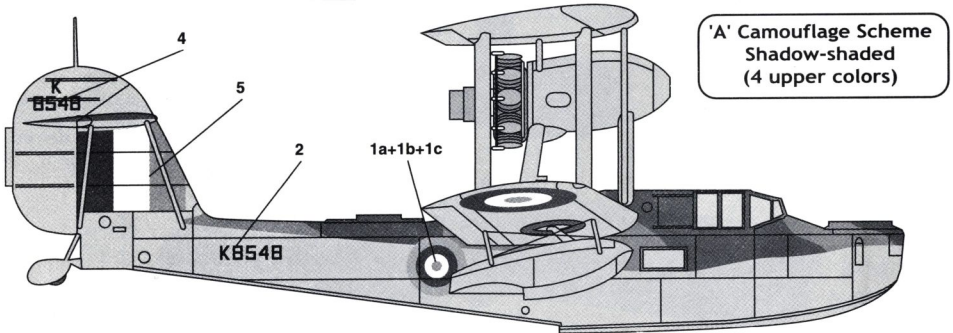
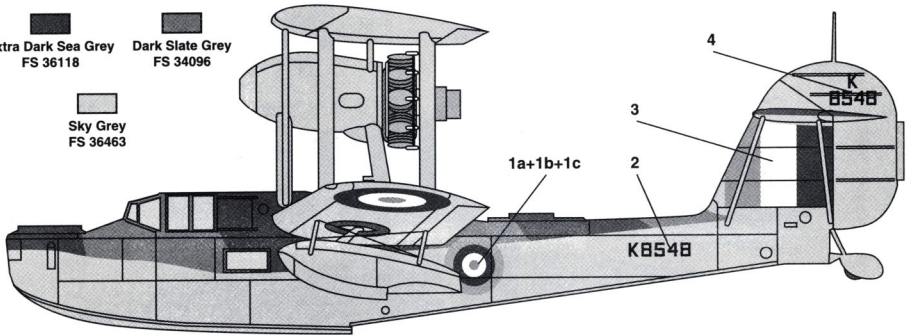
Use black stripes provided to extend wing walks to leading edge (Decals I/J)

Lower wing upper surface, shadow-shaded

-  Dark Sea Grey  
FS 36173
-  Light Slate Grey  
FS 34159



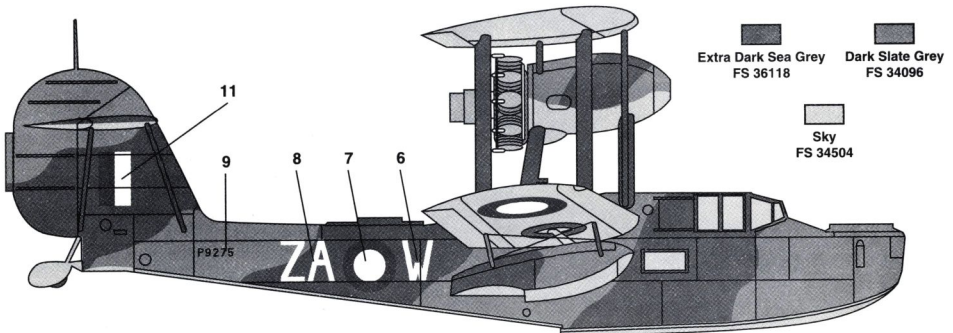
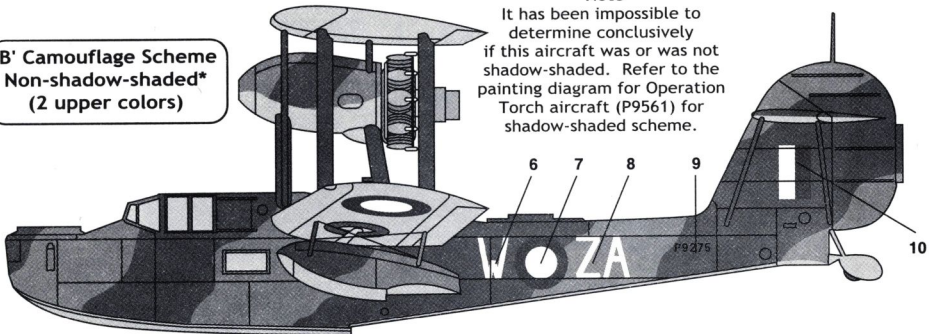
# Supermarine Walrus *PAINING & MARKING GUIDE*



No. 700 Squadron, FAA, HMS Shropshire, 1940-41

'B' Camouflage Scheme  
Non-shadow-shaded\*  
(2 upper colors)

\*Note  
It has been impossible to determine conclusively if this aircraft was or was not shadow-shaded. Refer to the painting diagram for Operation Torch aircraft (P9561) for shadow-shaded scheme.

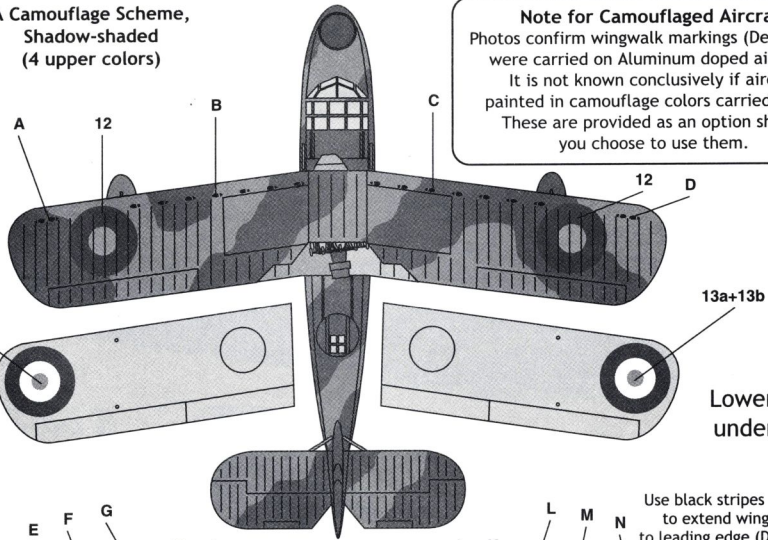


No. 8 Communications Unit, RAAF, 1943

**A Camouflage Scheme,  
Shadow-shaded  
(4 upper colors)**

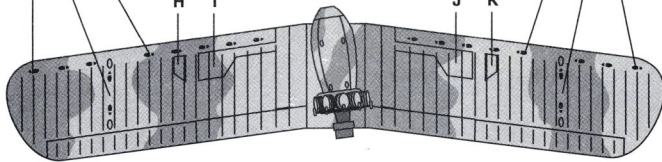
-  Extra Dark Sea Grey  
FS 36118
-  Dark Slate Grey  
FS 34096
-  Sky Grey  
FS 36463

13a+13b



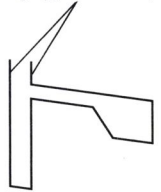
Lower wing  
undersides

-  Dark Sea Grey  
FS 36173
-  Light Slate Grey  
FS 34159






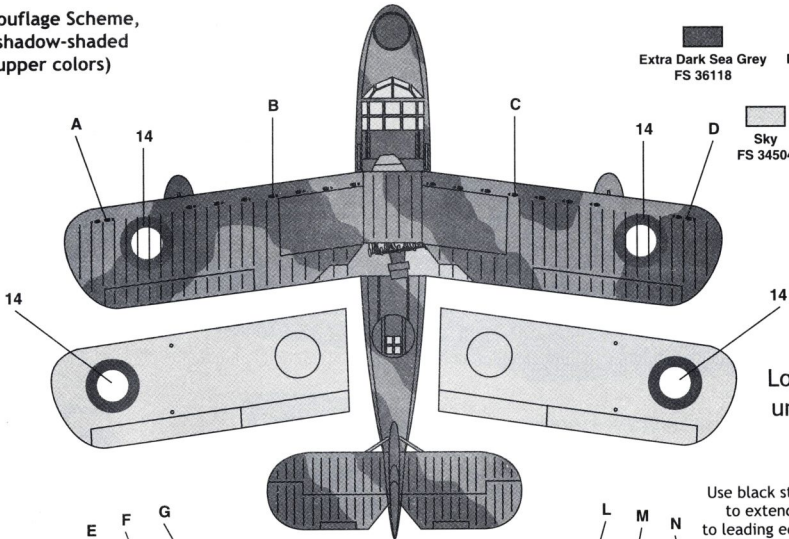
Lower wing upper surface, shadow-shaded

Use black stripes provided  
to extend wing walks  
to leading edge (Decals I/J)



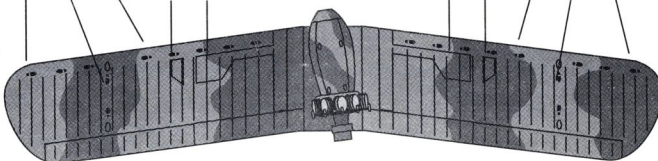
**B Camouflage Scheme,  
Non-shadow-shaded  
(2 upper colors)**

-  Extra Dark Sea Grey  
FS 36118
-  Dark Slate Grey  
FS 34096
-  Sky  
FS 34504

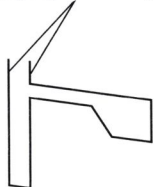


Lower wing  
undersides

Lower wing  
upper surface



Use black stripes provided  
to extend wing walks  
to leading edge (Decals I/J)

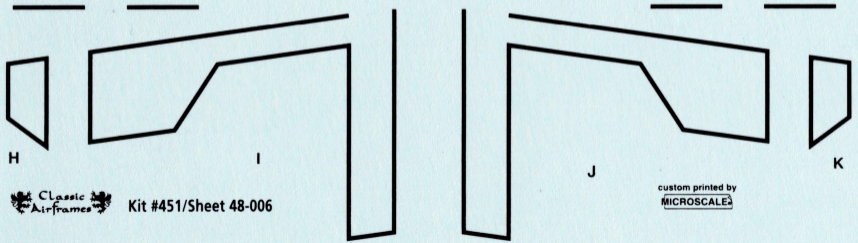
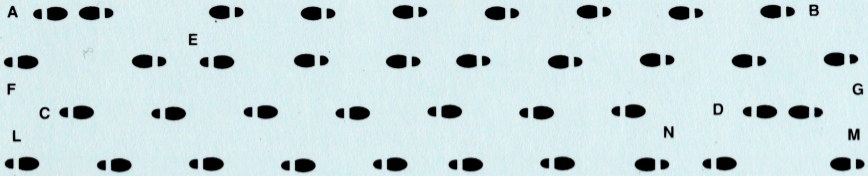


**Note for Camouflaged Aircraft**  
Photos confirm wingwalk markings (Decals A-N)  
were carried on Aluminum doped aircraft.  
It is not known conclusively if aircraft  
painted in camouflage colors carried them.  
These are provided as an option should  
you choose to use them.









Classic  
Airframes

Kit #451/Sheet 48-006

custom printed by  
MICROSCALE

