



## RQ-4B Global Hawk Unmanned Aerial Vehicle

Northrop Grumman's RQ-4B, also known as Global Hawk Block 20, is a high-altitude, long endurance unmanned aerial vehicle (UAV) capable to survey vast geographic areas with pinpoint accuracy. Unlike other UAVs, the Global Hawk is flown autonomously by flight control software with direct supervision from a ground based operator. While the vehicle is controlled via satellite links and can fly a complete preprogrammed mission, it can quickly respond to requests from the system pilot.

In size, the RQ-4B has similar dimensions to a US spy plane, including a large wing span(130 feet) which allows a long loiter time. Capable of staying at high altitudes above 60,000 feet for more than 35 hours in at a time, the RQ-4B can fly over the enemy territory to gather near-real-time battle information for the combatant force without putting any human pilot in danger. Since over half of the Global Hawk's components are constructed of lightweight, high-strength materials, and systems such as cockpit instrumentation and ejection seat are unnecessary, the UAV itself is relatively light-weight and allows a high payload of up to 3,000 lbs for a variety of sensors to be installed.

### CAUTION

- \*Read carefully and fully understand the instructions before commencing assembly.
- \*Keep out of reach of children. Children must not be allowed to put any parts in their mouths, or pull plastic bag over their heads.
- \*When using adhesives and paints, please make sure not to use them in closed room or near the fire.
- \*When assembling this kit, tools including knives are used. Extra care should be taken to avoid injury.

**WARNING: CONTAIN SMALL PARTS NOT FOR CHILDREN UNDER 14 YEARS OF AGE.**



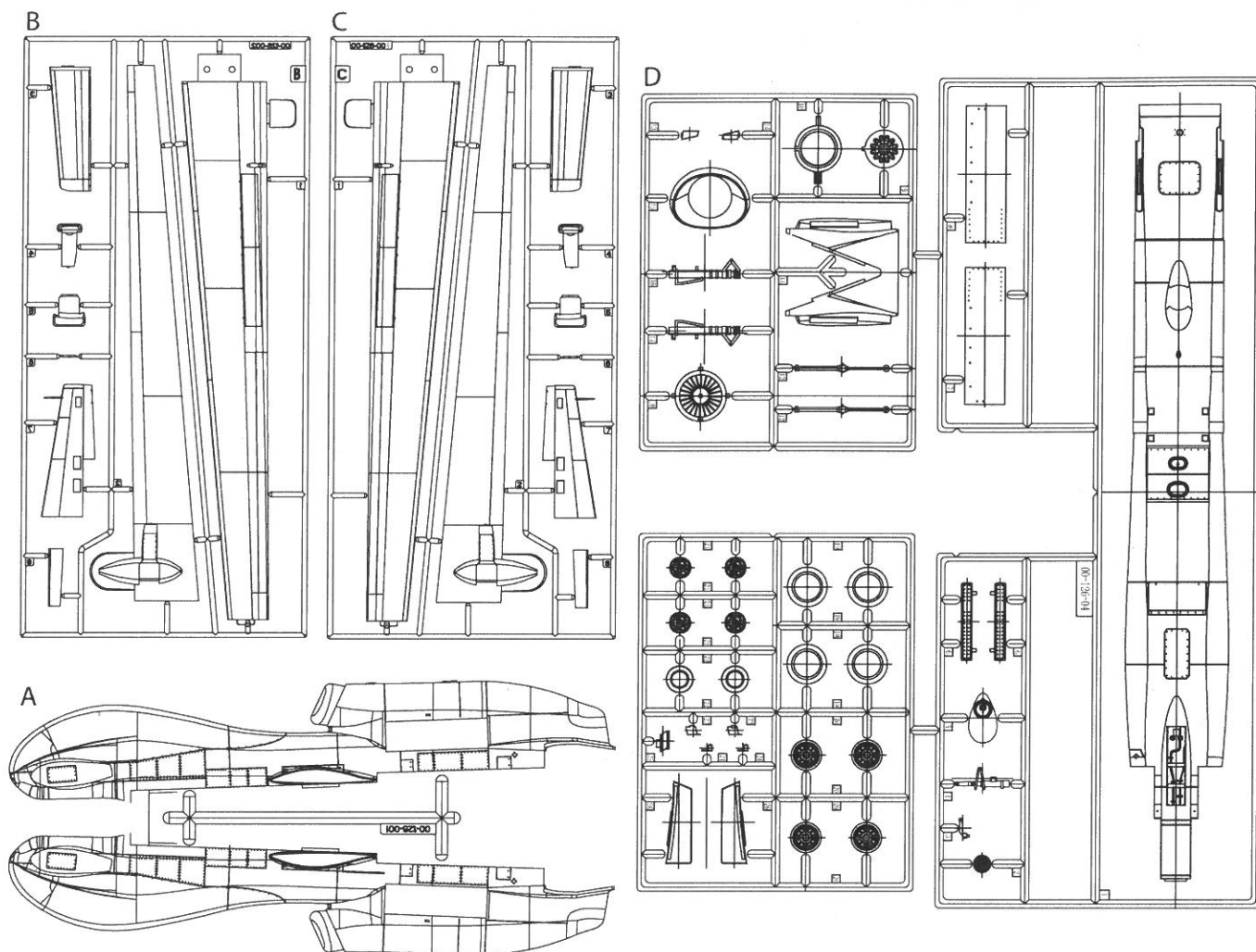
### TOOLS RECOMMENDED

Cement 

Side Cutter 

Modeling Knife 

Tweezers 



**AFTERMARKET SERVICES CARD**

When requesting replacement parts, please take or send this form to your local dealer so that the parts required can be correctly identified. Please note that specifications and availability are subject to change without notice.

or visit <http://www.kineticmodel.com> for latest information.

For more information, please contact [services@kineticmodel.com](mailto:services@kineticmodel.com)

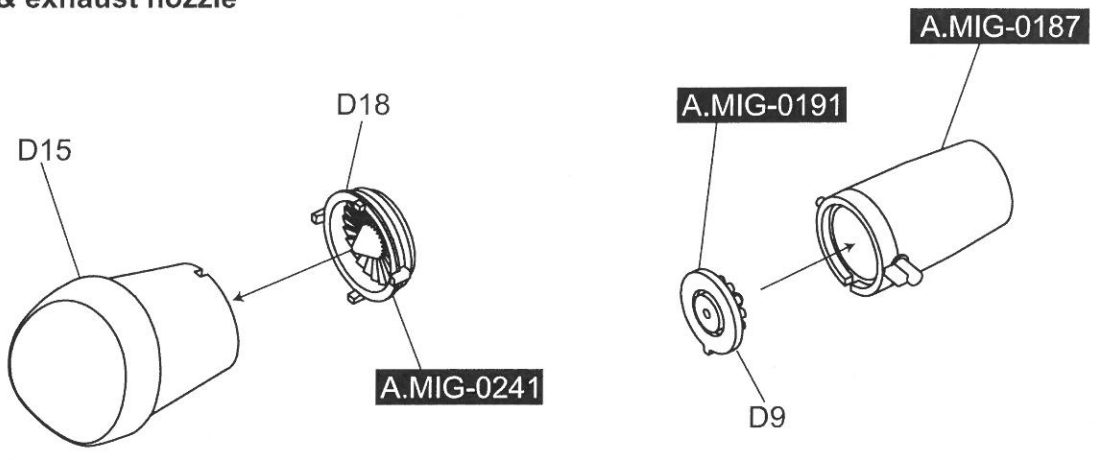
| Part Code    | K48084               | Qty | Item |
|--------------|----------------------|-----|------|
| 00-126-001   | RQ-4B Main Fueslage  | 1   | A    |
| 00-126-002   | RQ-4B Right Wing     | 1   | B    |
| 00-126-003   | RQ-4B Left Wing      | 1   | C    |
| 00-126-004   | RQ-4B LOWER FUESALGE | 1   | D    |
| 01-126-001   | 1/48 RQ-4B DECAL     | 1   |      |
| 03-126-48084 | MANUAL               | 1   |      |



**PAINT INDEX**

| COLOR                  | AMMO MIG   | VALLEJO<br>MODEL COLOR | GSI CREOS<br>MR. COLOR | TAMIYA<br>ENAMEL/ACRYLIC | HUMBROL<br>ENAMEL |
|------------------------|------------|------------------------|------------------------|--------------------------|-------------------|
| SATIN WHITE            | A.MIG-0047 | 70.842                 | 1                      | X-2                      | 130               |
| SATIN BLACK            | A.MIG-0032 | 70.861                 | 2                      | XF-1                     | 87                |
| SILVER                 | A.MIG-0195 | 71.063                 | 8                      | X-11                     | 191               |
| STEEL                  | A.MIG-0191 | 70.864                 | 28                     | -                        | 27003             |
| MATT BLACK             | A.MIG-0046 | 71.057                 | 33                     | XF-1                     | 33                |
| JET EXHAUST BURNT IRON | A.MIG-0187 | 71.073                 | 61                     | XF-84                    | -                 |
| GUN METAL              | A.MIG-0045 | 70.863                 | 78                     | X-10                     | 53                |
| MEDIUM GUNSHIP GRAY    | A.MIG-0204 | 70.868                 | 305                    | XF-77                    | 125               |
| FS 36440               | A.MIG-0241 | 70.986                 | 315                    | -                        | -                 |

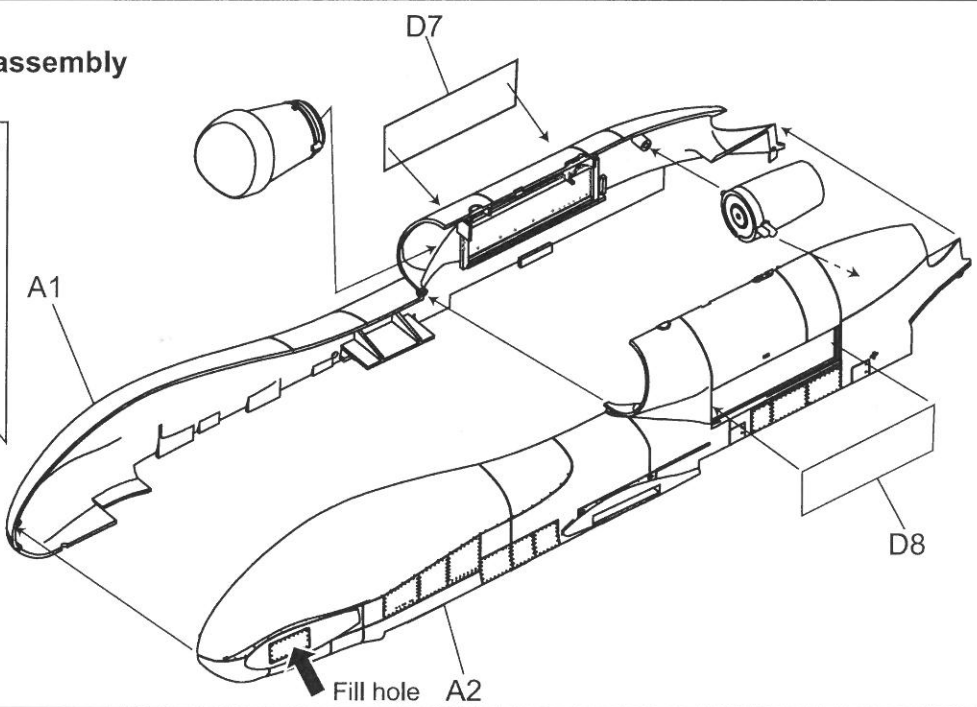
# 1 Intake & exhaust nozzle



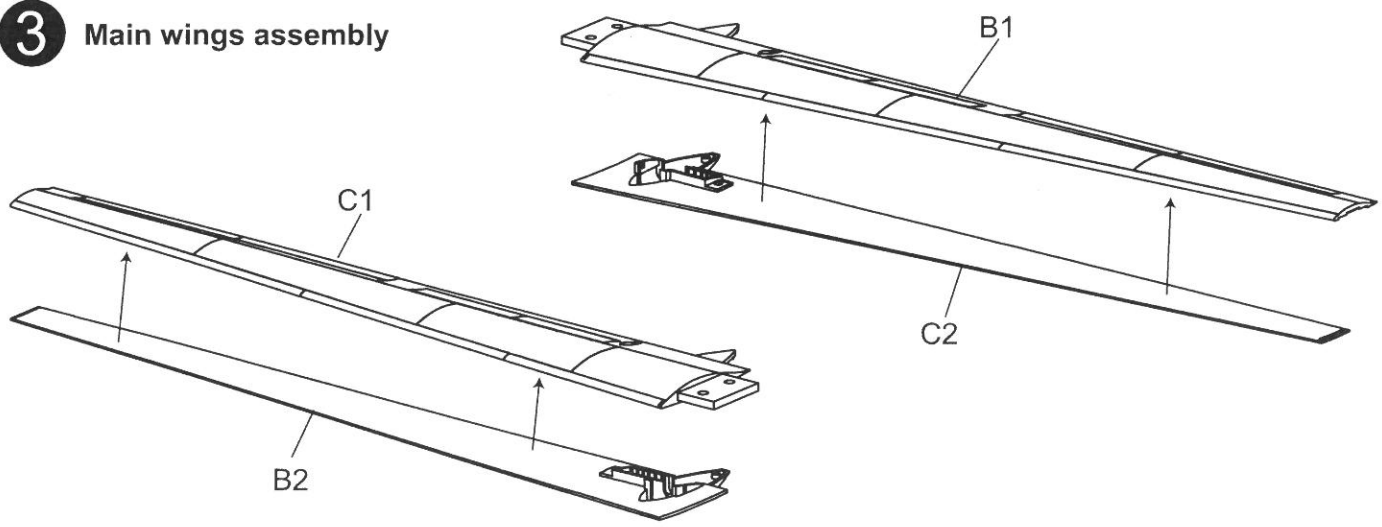
# 2 Main fuselage assembly

1. RQ-4B, 9th Reconnaissance Wing,  
Air Combat Command, USAF.  
B. 09-2038

For both side  
Fill Hole

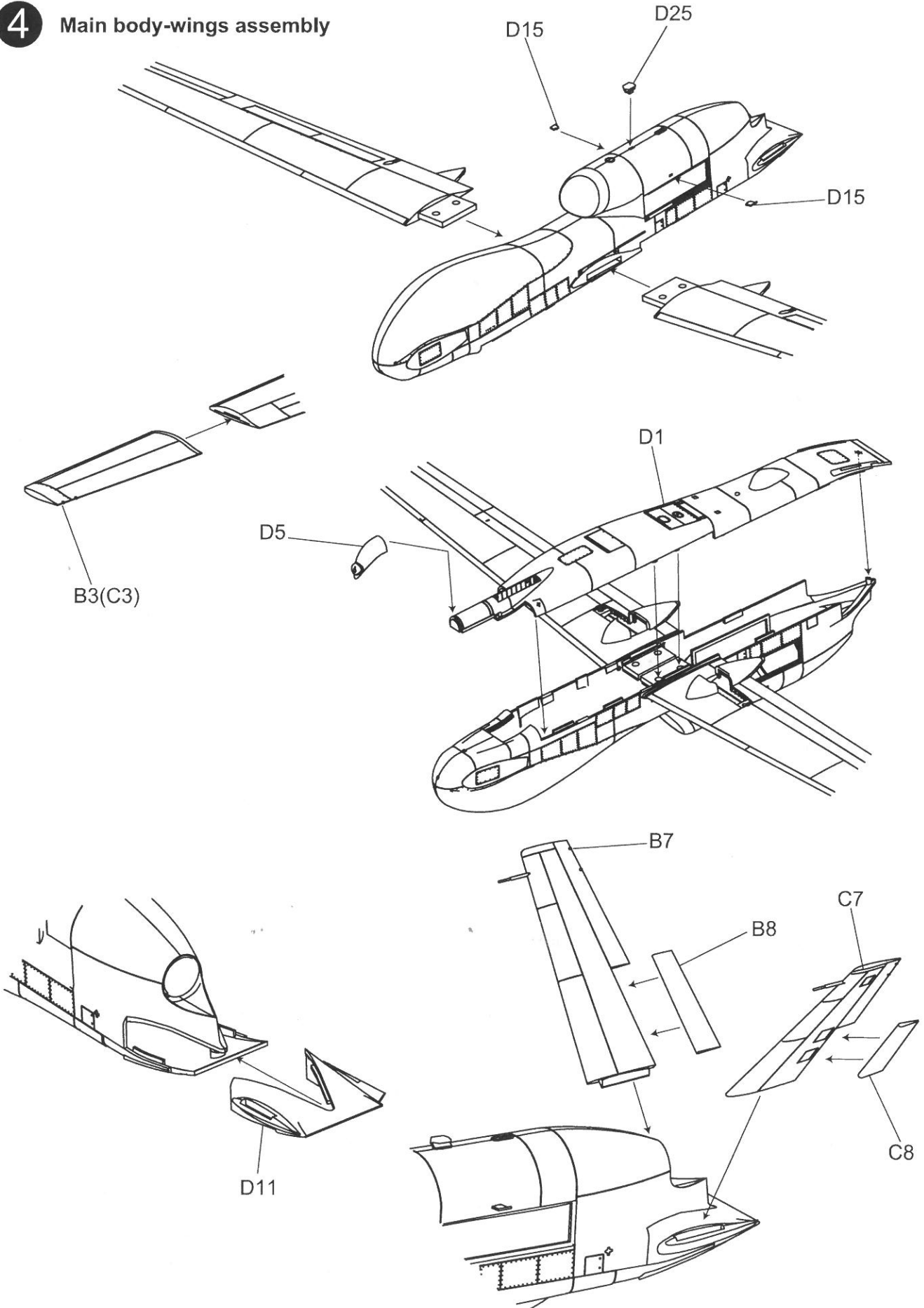


# 3 Main wings assembly

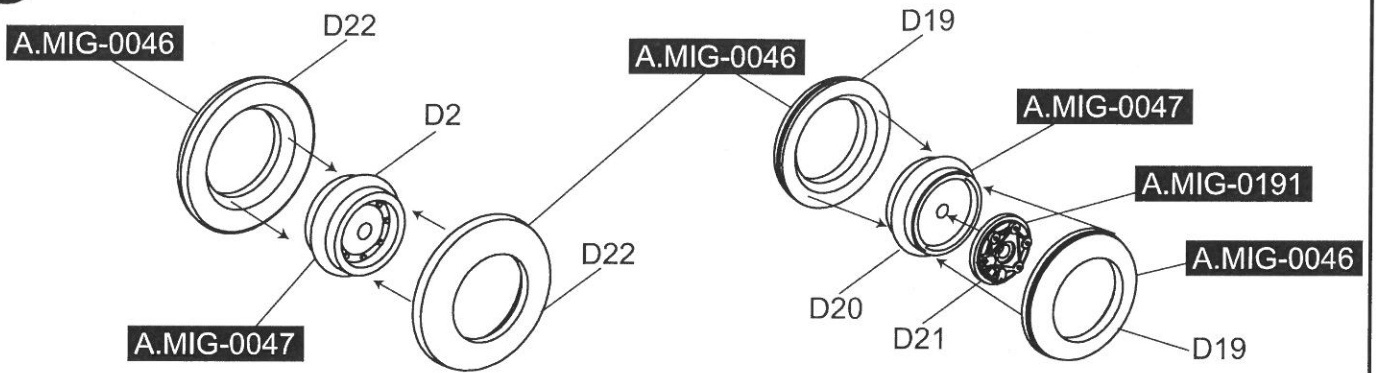


4

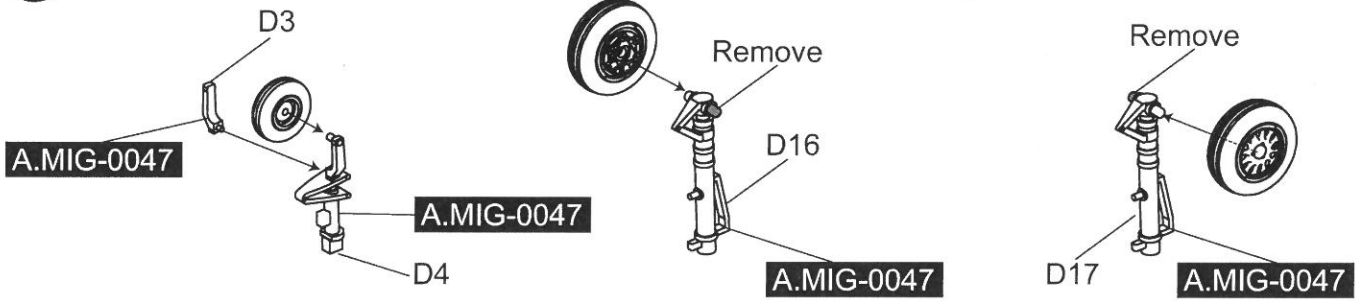
Main body-wings assembly



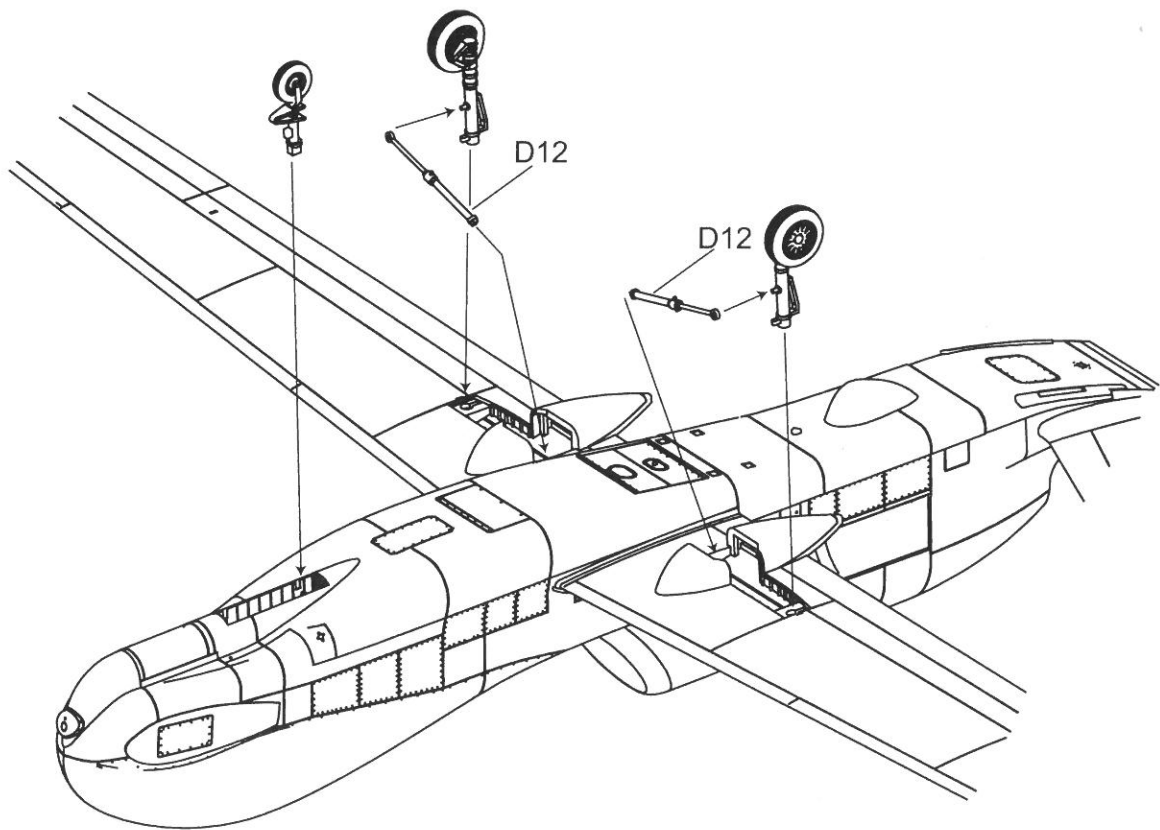
### 5 Front & main wheels



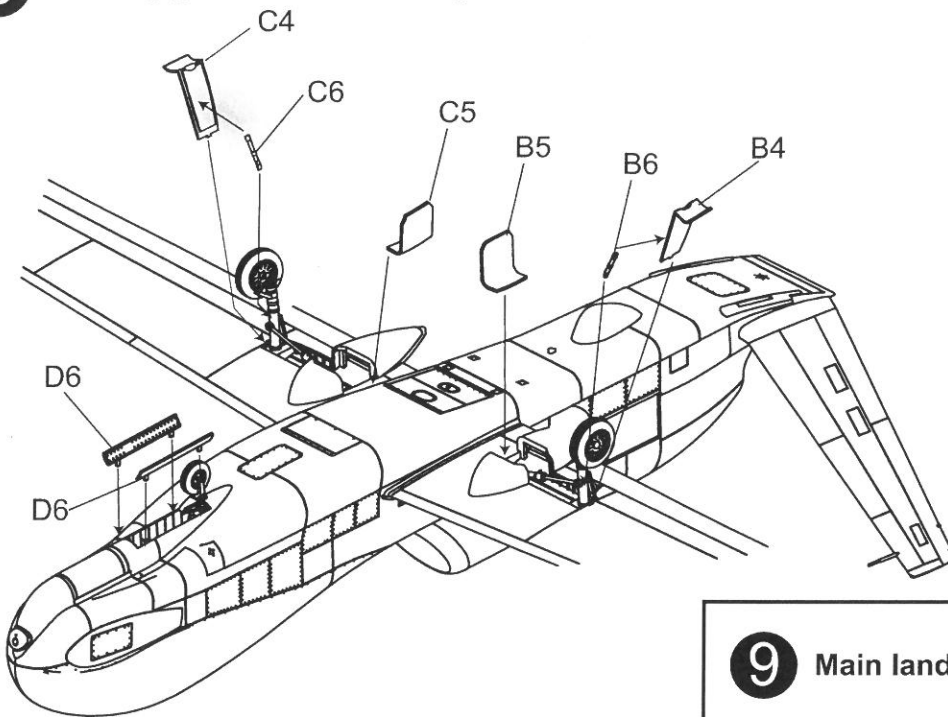
### 6 Landing gears



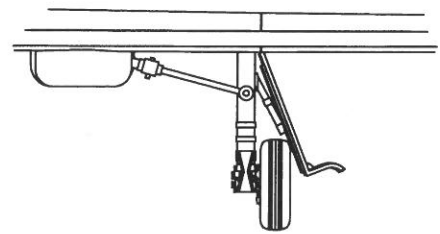
### 7 Landing gears assembly



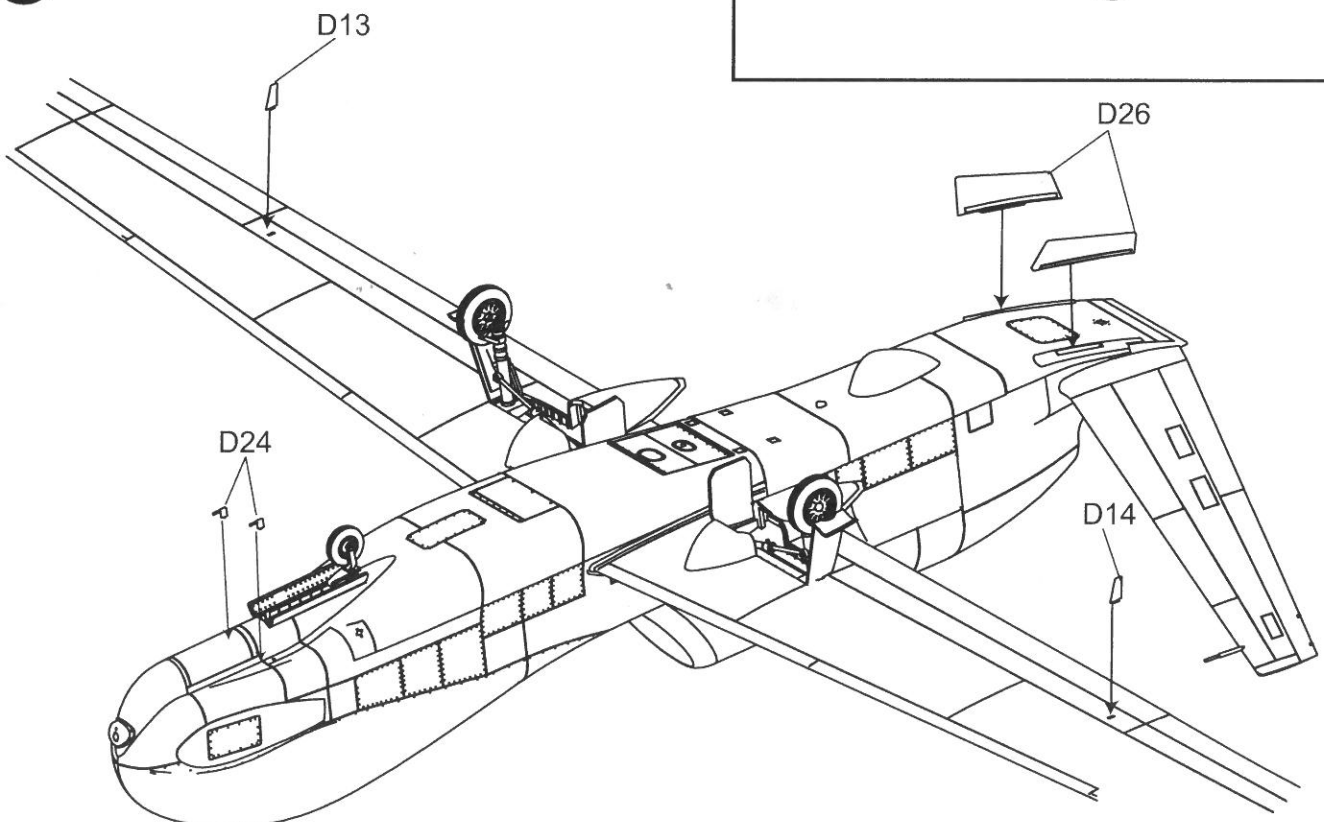
### 8 Landing gear doors assembly



### 9 Main landing gear struts alignment



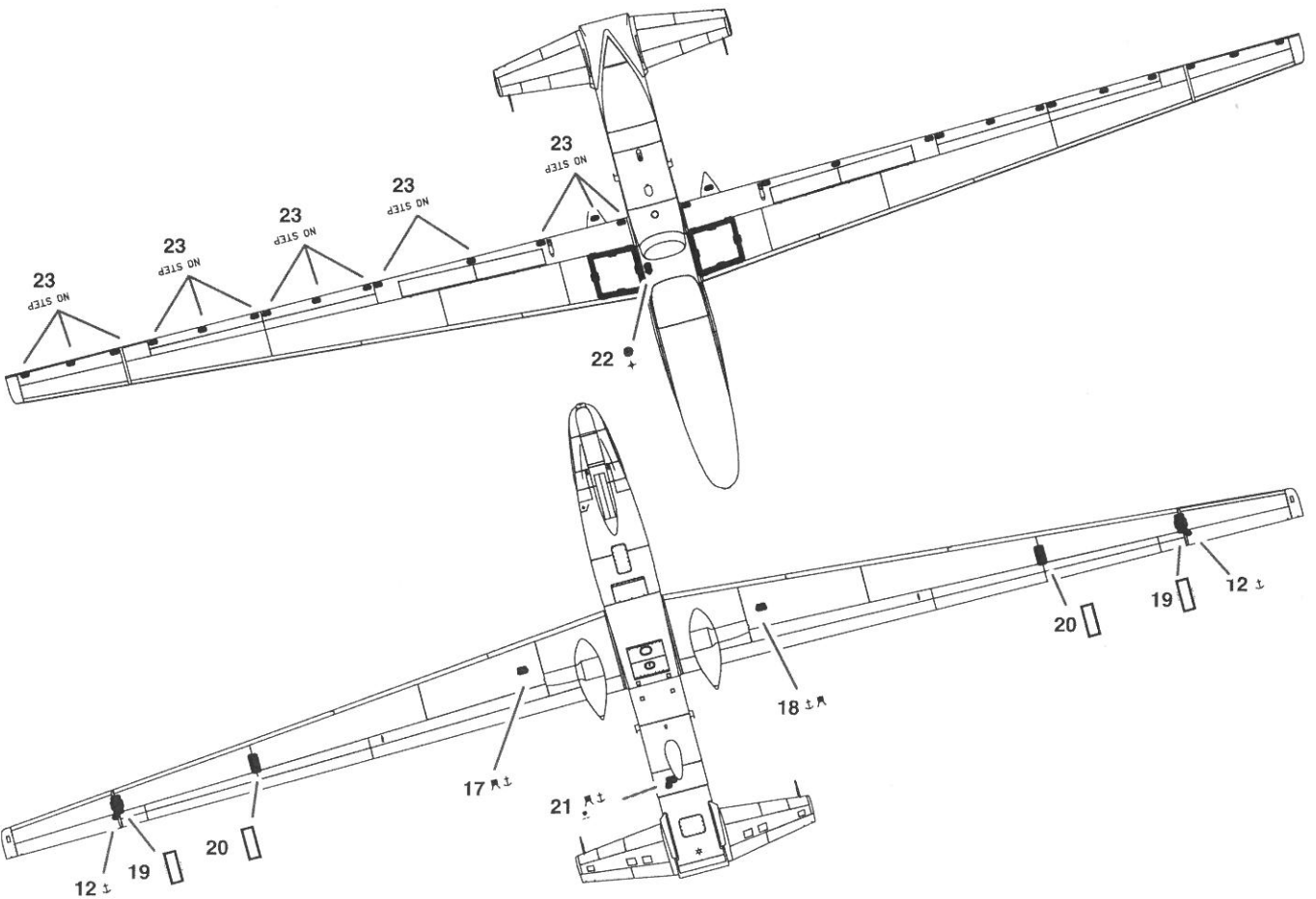
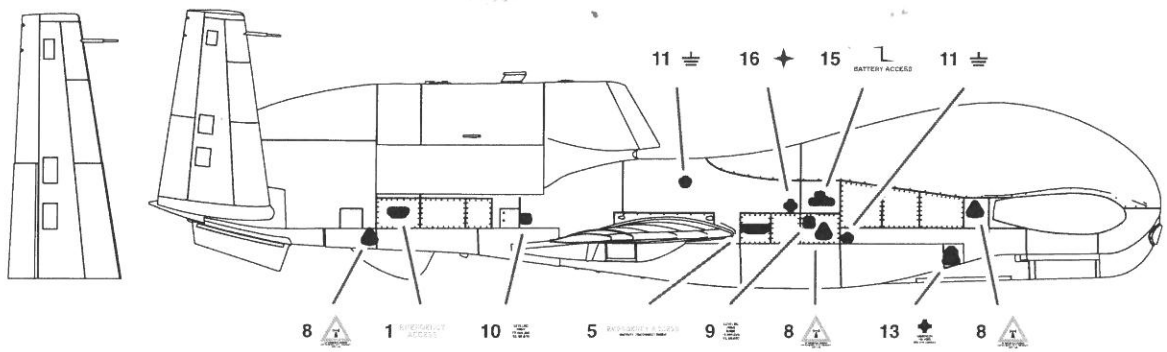
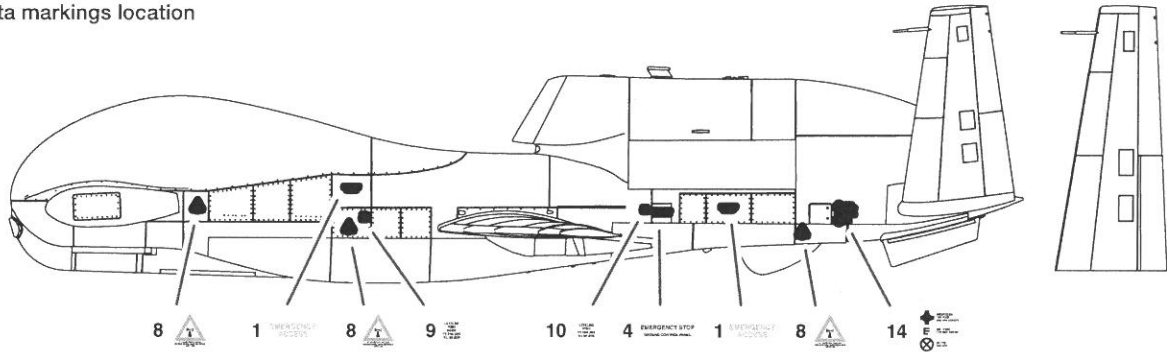
### 10 Tail fins & antennas





**1/48 SCALE AIRCRAFT SERIES NO: K48084**

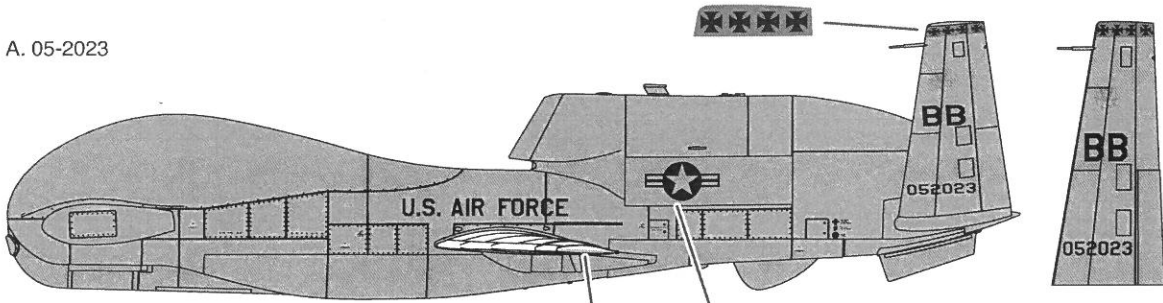
Data markings location



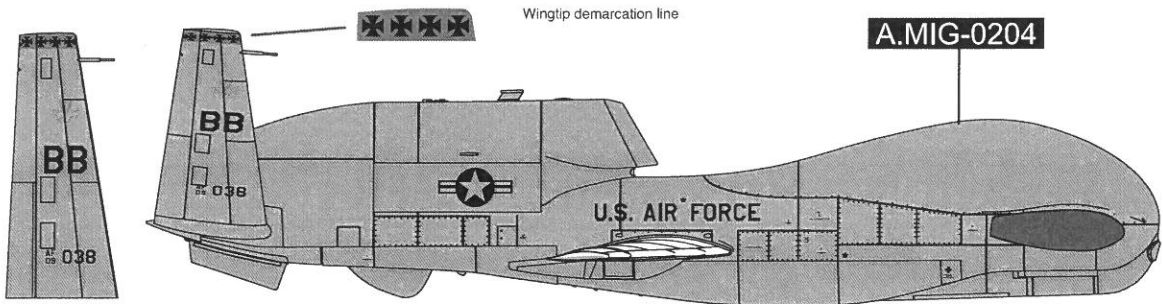
**1/48 SCALE AIRCRAFT SERIES NO: K48084**

1. RQ-4B, 9th Reconnaissance Wing, Air Combat Command, USAF.

A. 05-2023

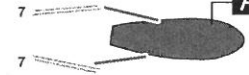


B. 09-2038



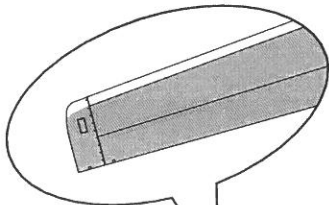
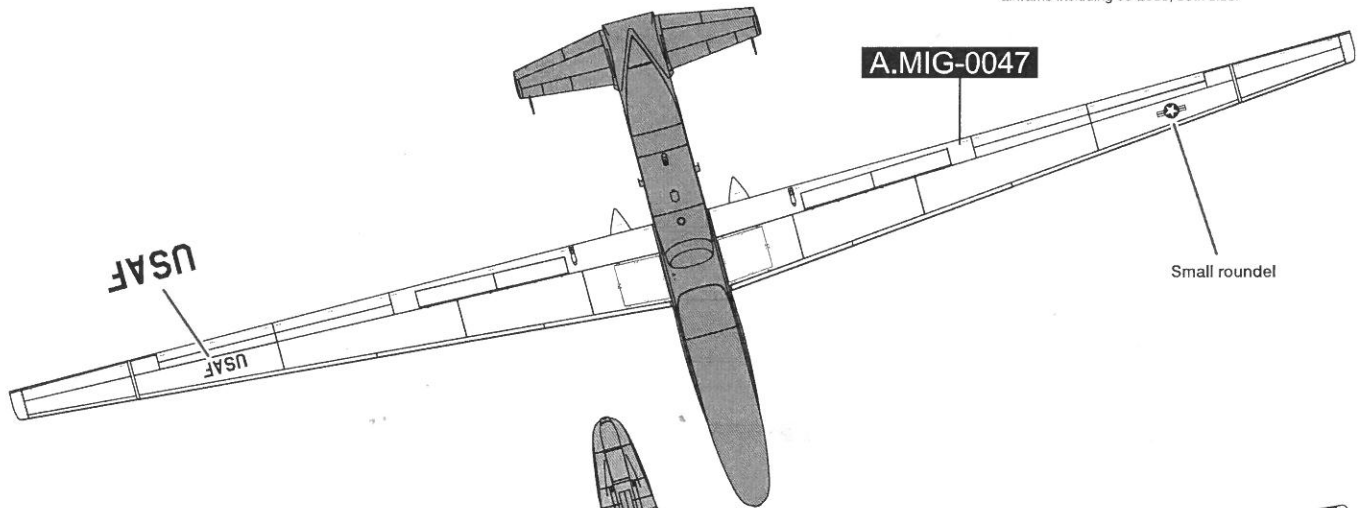
**A.MIG-0204**

**A.MIG-0046**



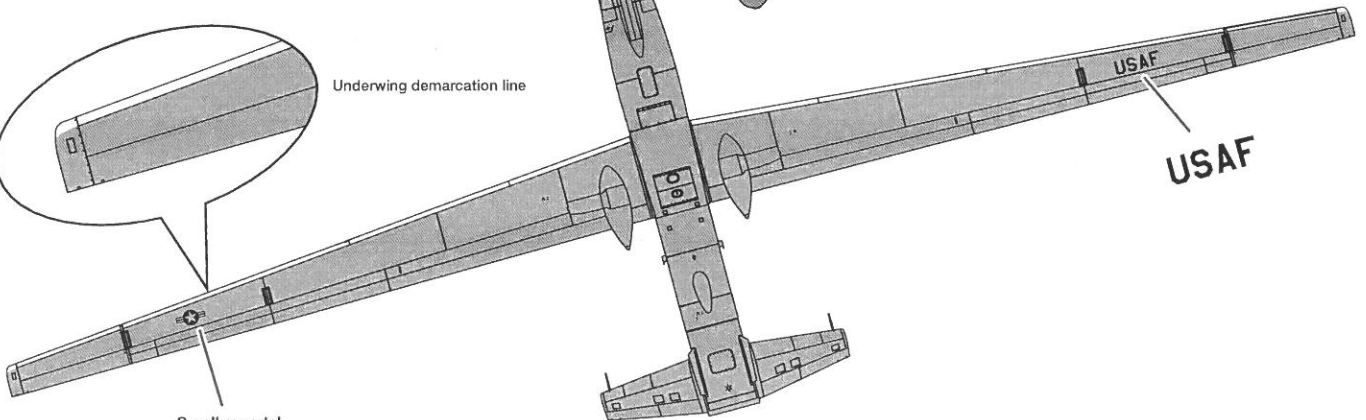
One pieced black panel on several airframe including 09-2038, both side.

**A.MIG-0047**



Underwing demarcation line

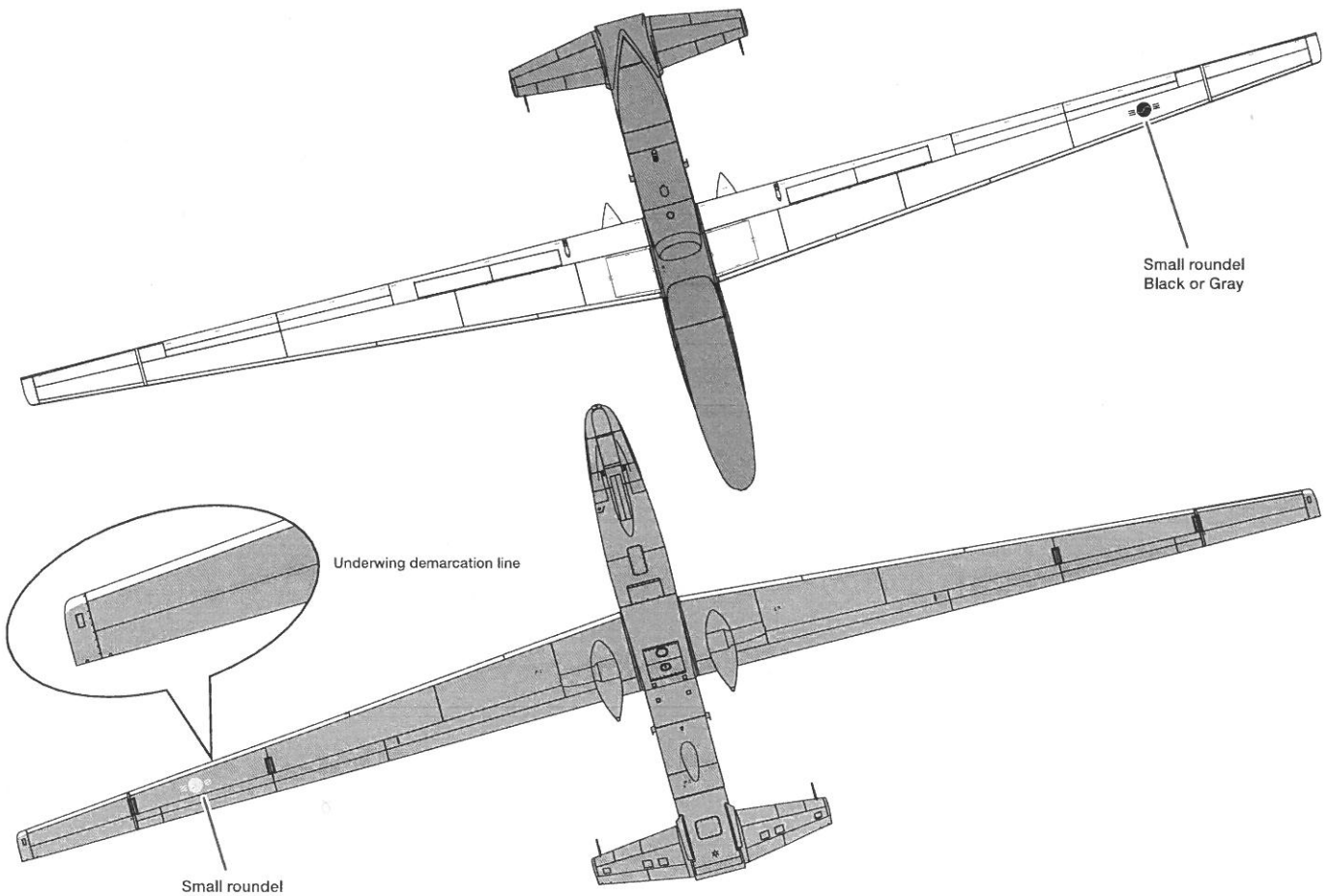
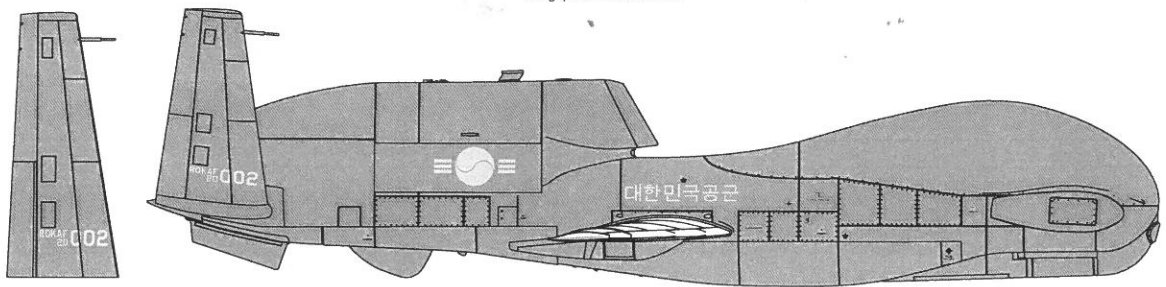
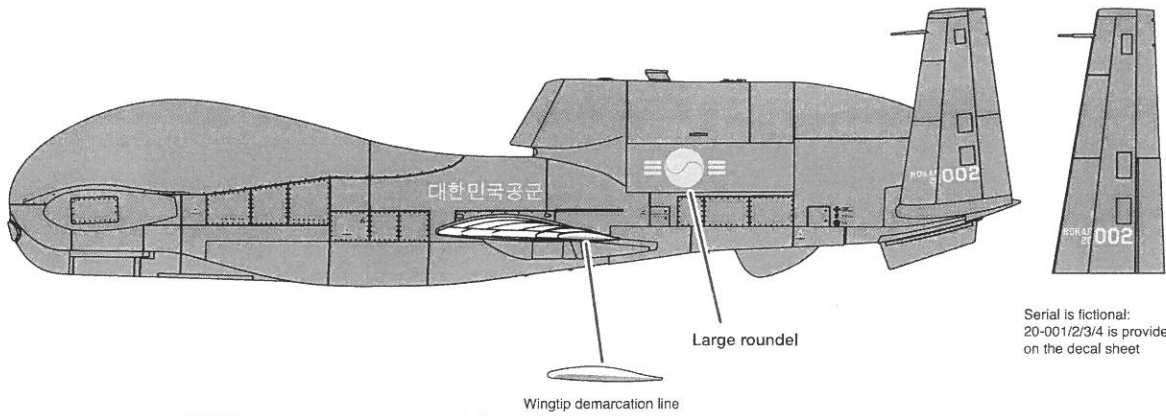
Small roundel





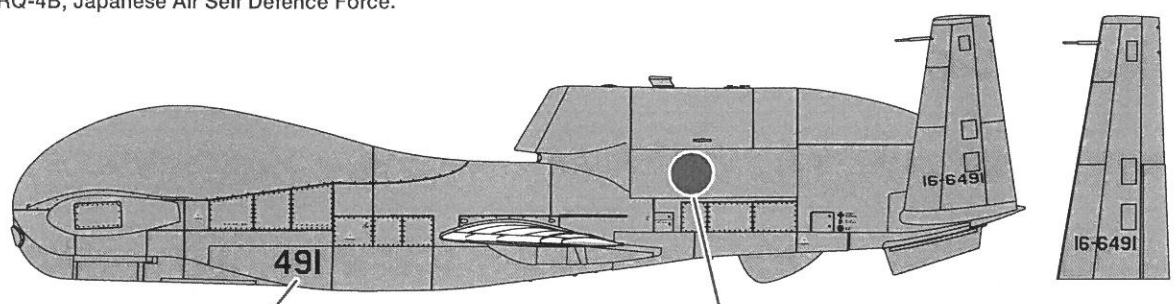
**1/48 SCALE AIRCRAFT SERIES NO: K48084**

2. RQ-4B, Republic of Korea Air Force.



**1/48 SCALE AIRCRAFT SERIES NO: K48084**

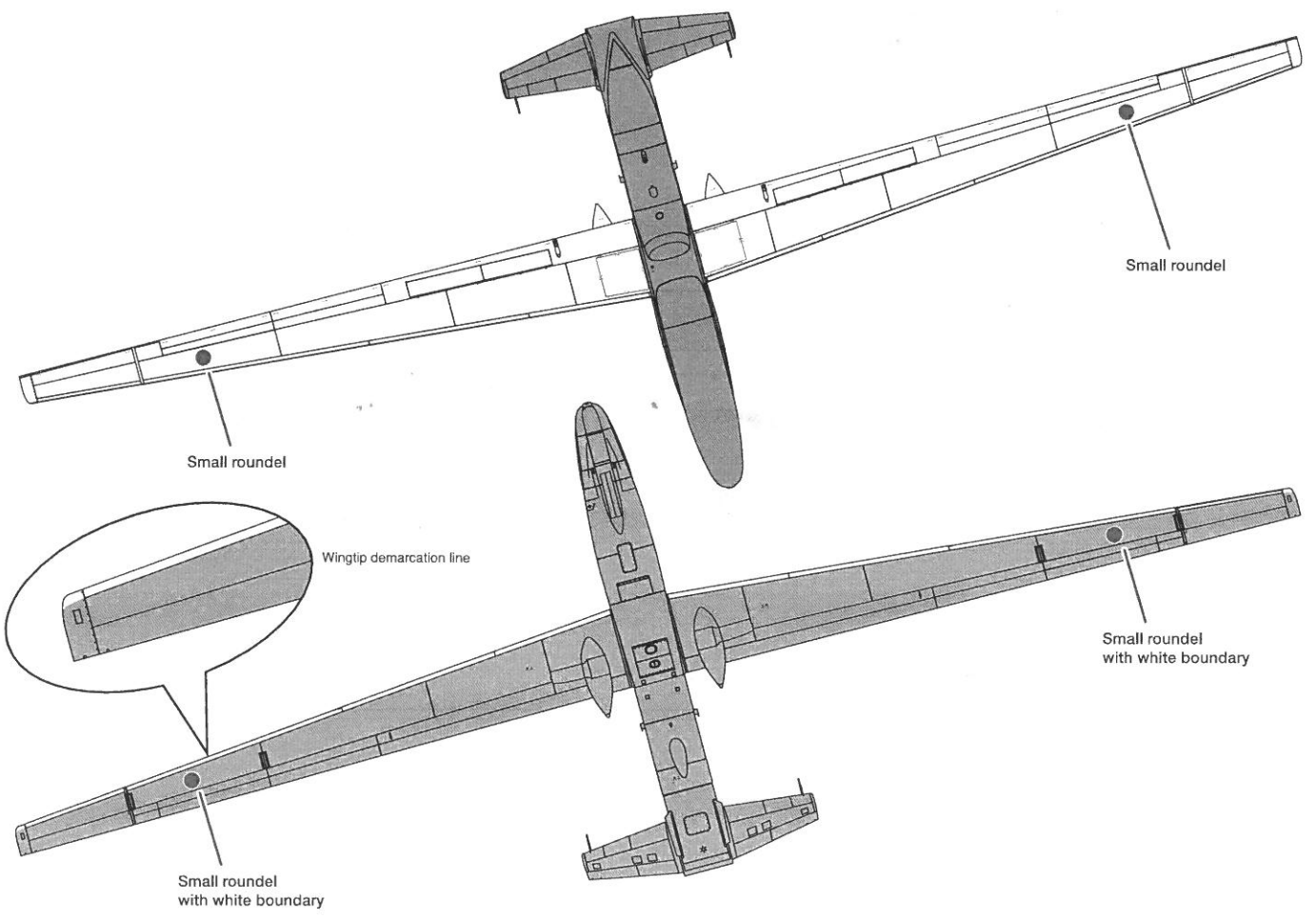
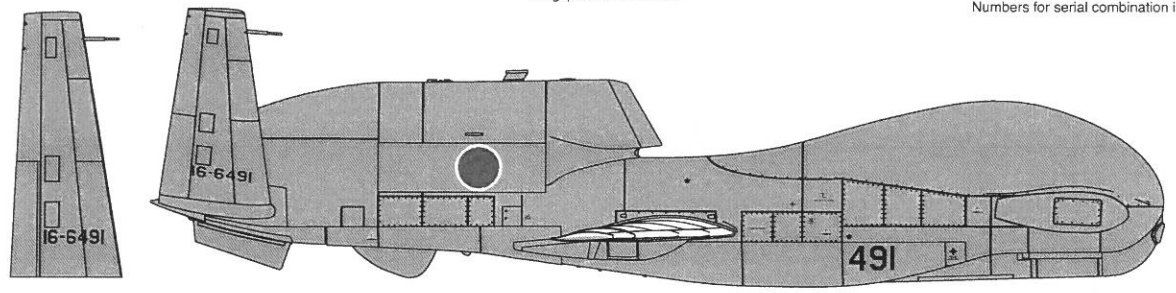
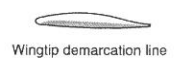
3. RQ-4B, Japanese Air Self Defence Force.



Last 3 digit (fictional)

Large roundel

Serial is fictional:  
Each digit means:  
1: Airframe acquired in the year of 2021.  
6: Airframe specification number, fictional.  
6: Aircraft type: Tactical Reconnaissance  
491: 1st obtained MQ-4: fictional.  
Numbers for serial combination is provided



Small roundel

Small roundel

Wingtip demarcation line

Small roundel with white boundary

Small roundel with white boundary



