



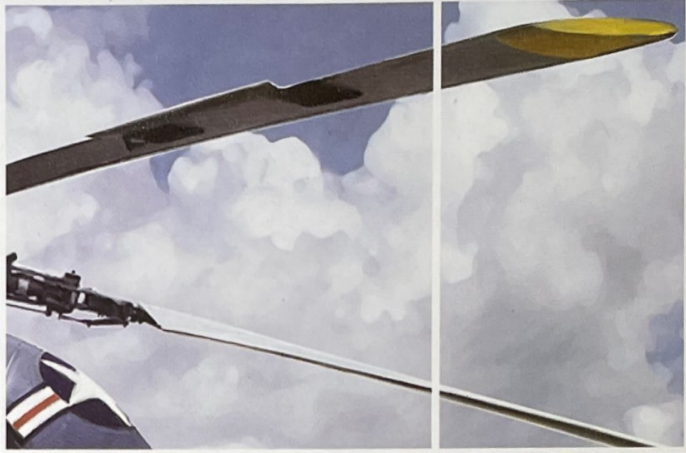
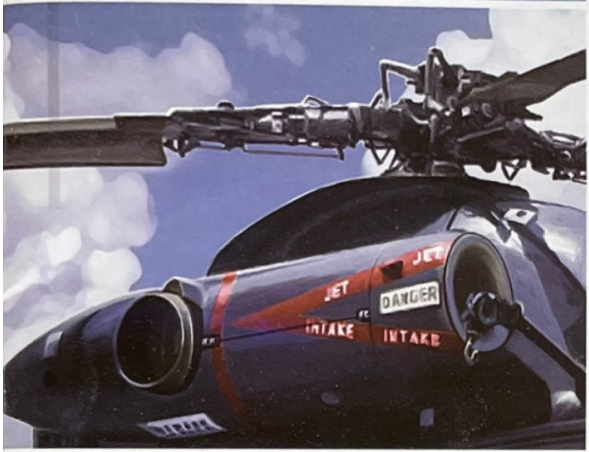
KITTY
HAWK

1:48

SH-2F Seasprite

拼装說明書

Instruction



Please visit our web site at
www.kittyhawkmodel.com

Instruction

1:48
SH-2F "海妖" 艦載直升機

Item No. KH80122

READ BEFORE ASSEMBLY

在組合您的模型之前，請充分閱讀本冊說明書。組合模型您需要如下物品（需另購）：模型膠水；一把模型鉗或一把用于將零件從框架上切下的模型筆刀。筆刀同樣可以用來修整零件的合模綫。祝您制作愉快！

Before assembling your model kit, read through these instructions carefully. To assemble this kit, you will need Plastic glue (not include). A pair of side cutter or a sharp modelling knife is required for removing parts from the frame. Plastic mould lines can be removed with the modelling knife.



請注意
Special instructions



隨愛好選擇
Optional



組合完成
Finished Assembly



制作兩組
Make Two



配重
Weight



塗色
Painting



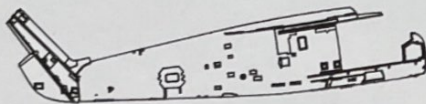
無需膠粘
Do Not Cement



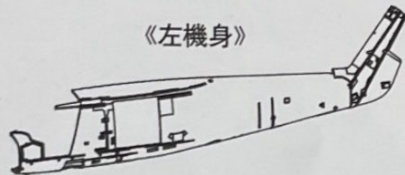
對側
Opposite

部品圖 PARTS

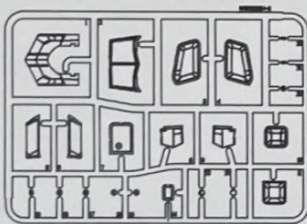
《右機身》



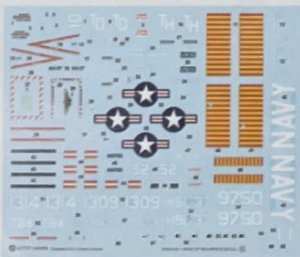
《左機身》



GP



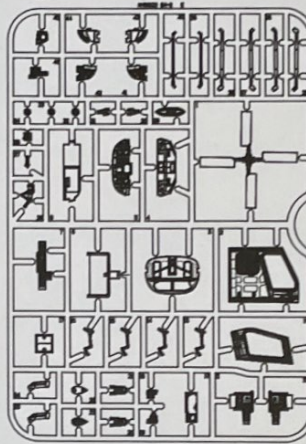
DECAL



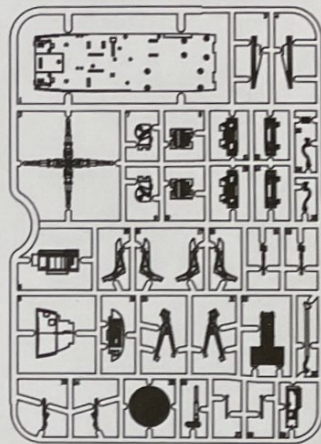
PE



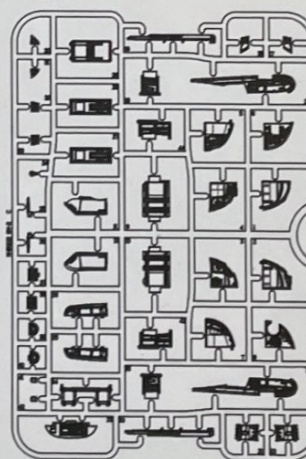
E



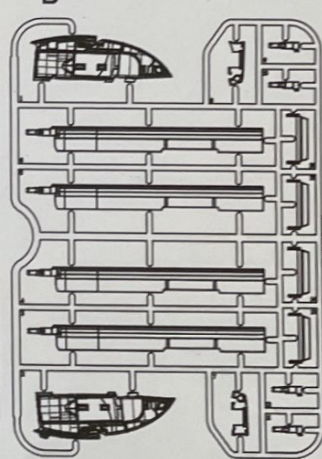
D



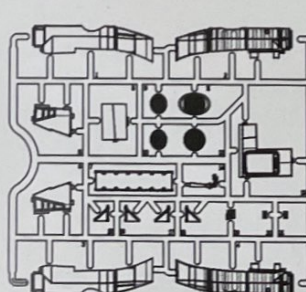
C



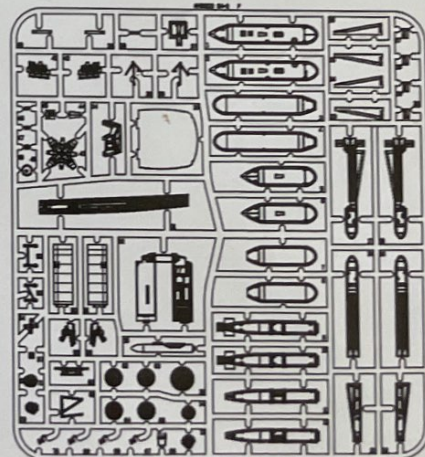
B



A



F



1:48 SH-2F Seasprite Painting & marking Guide

塗裝與水貼

A. HSL-31, No.1309, U.S.N.

Fuel Tank



C 11 MIDNIGHT BLUE
午夜藍

C 11 FLAT BLACK
消光黑

x4 制作四組
Make Four

C 11 RADOME
天線罩色

C 11 YELLOW
黃色

C 11 FLAT BLACK
消光黑

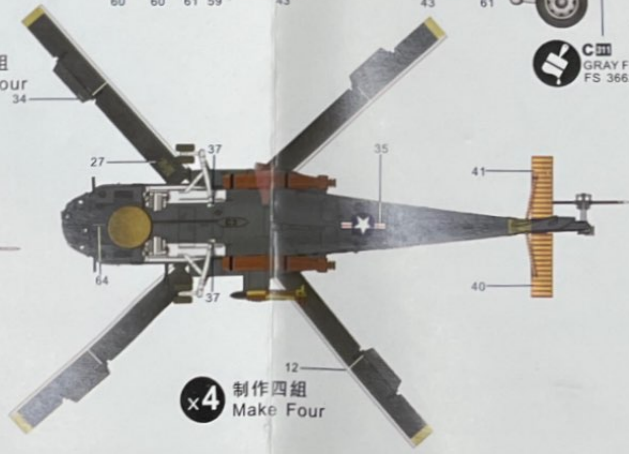
x4 制作四組
Make Four

C 11 GRAY FS 36622
FS 36622 灰

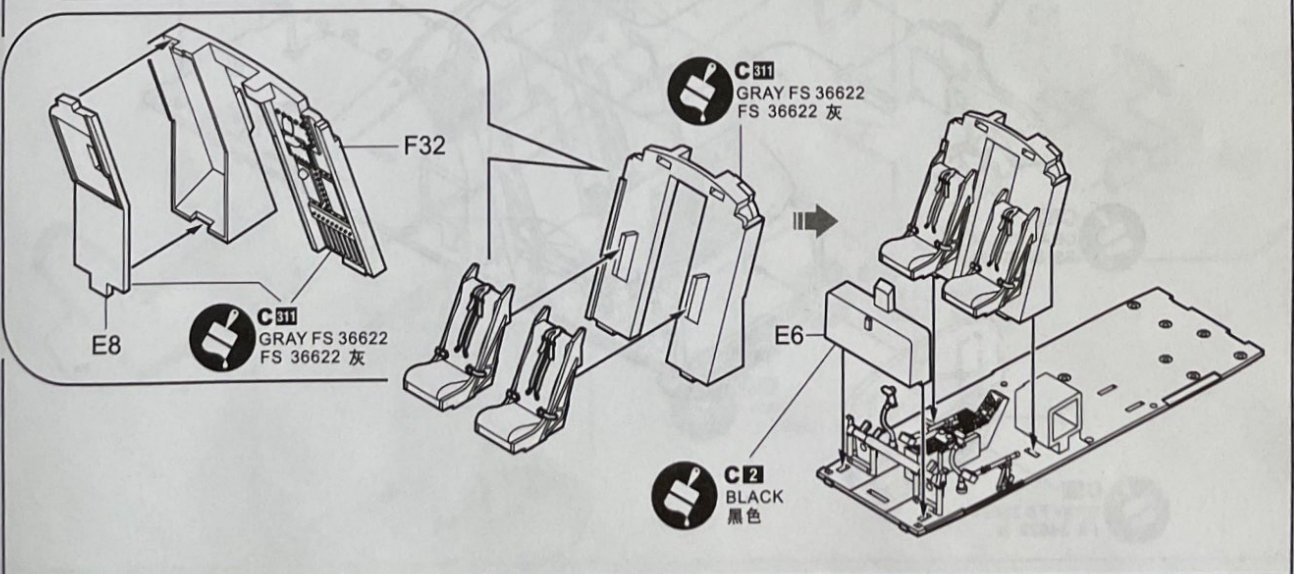
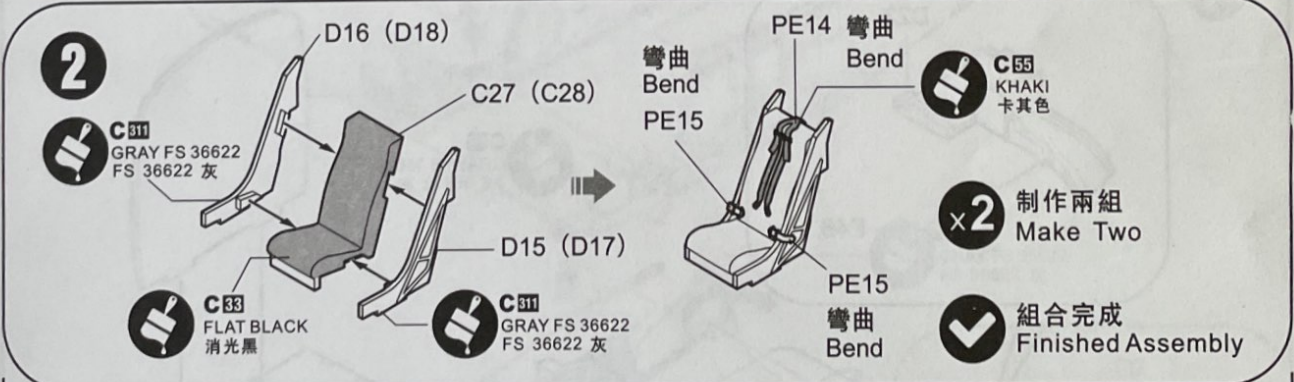
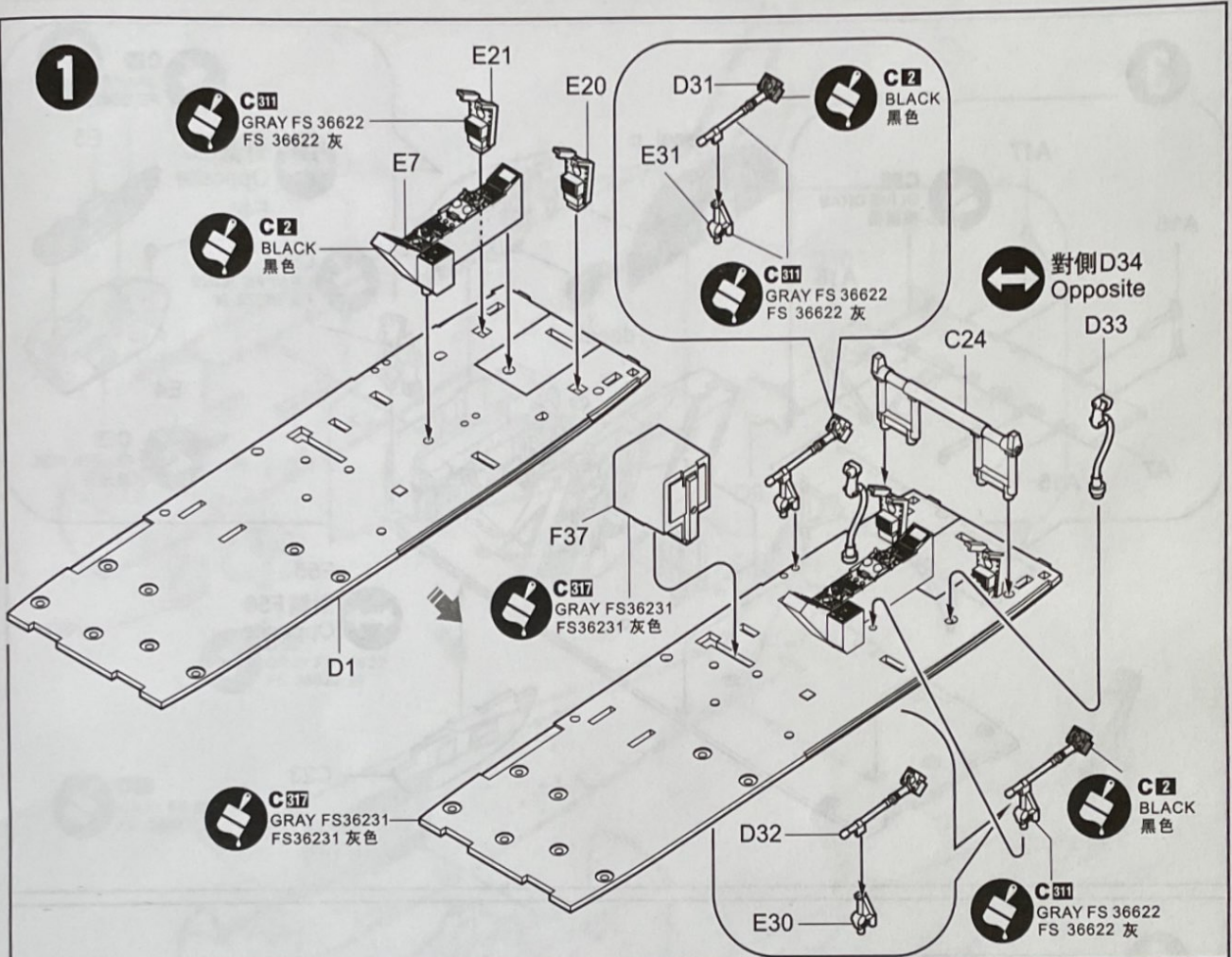
C 11 MIDNIGHT BLUE
午夜藍

C 11 SILVER
銀色

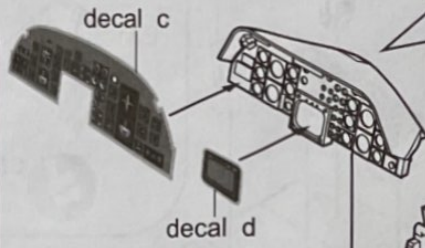
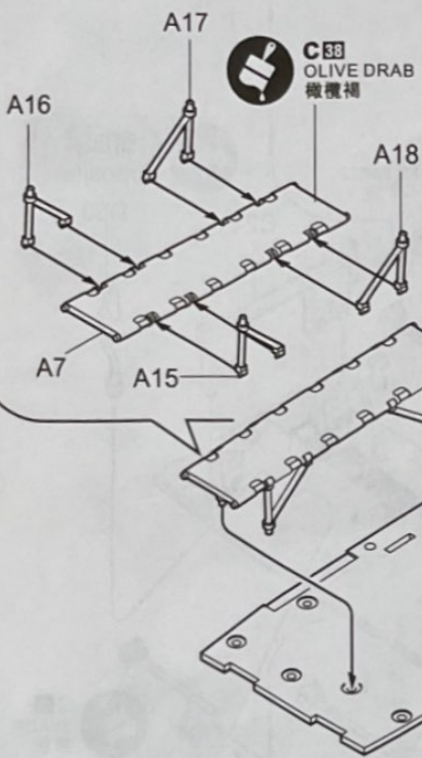
C 11 BURNT IRON
燒鐵色



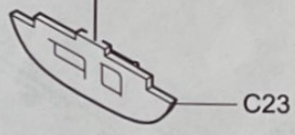
- Illustration by Eric Chan
GUNZE SANGYO Mr. color used



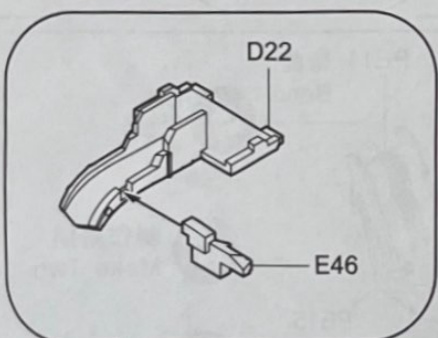
3



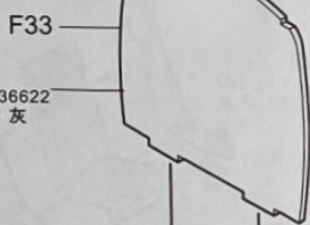
F55
對側 F56
Opposite



4

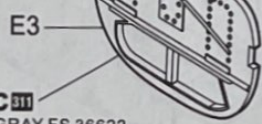


C311
GRAY FS 36622
FS 36622 灰



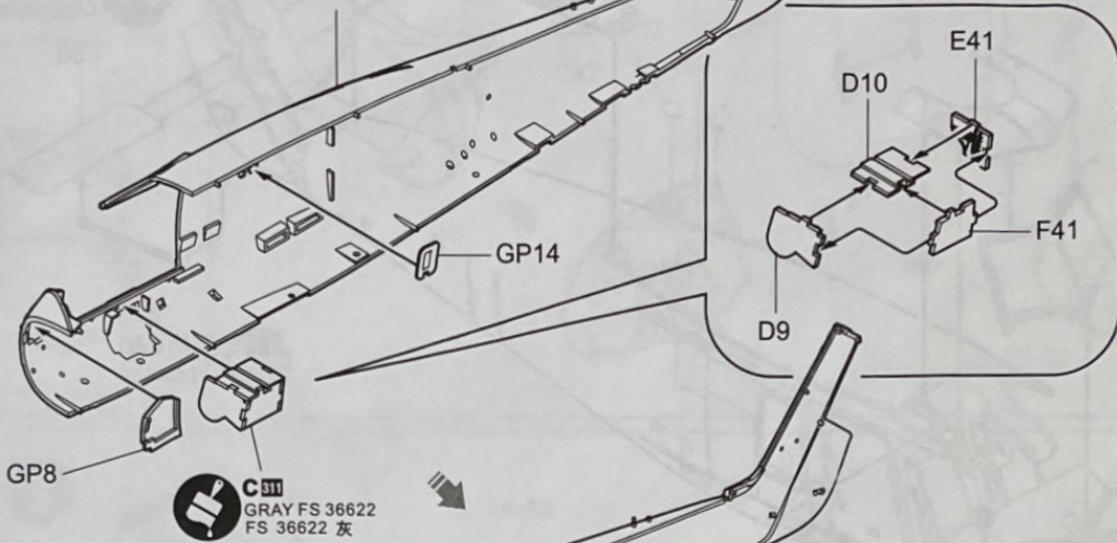
C311
GRAY FS 36622
FS 36622 灰

C311
GRAY FS 36622
FS 36622 灰

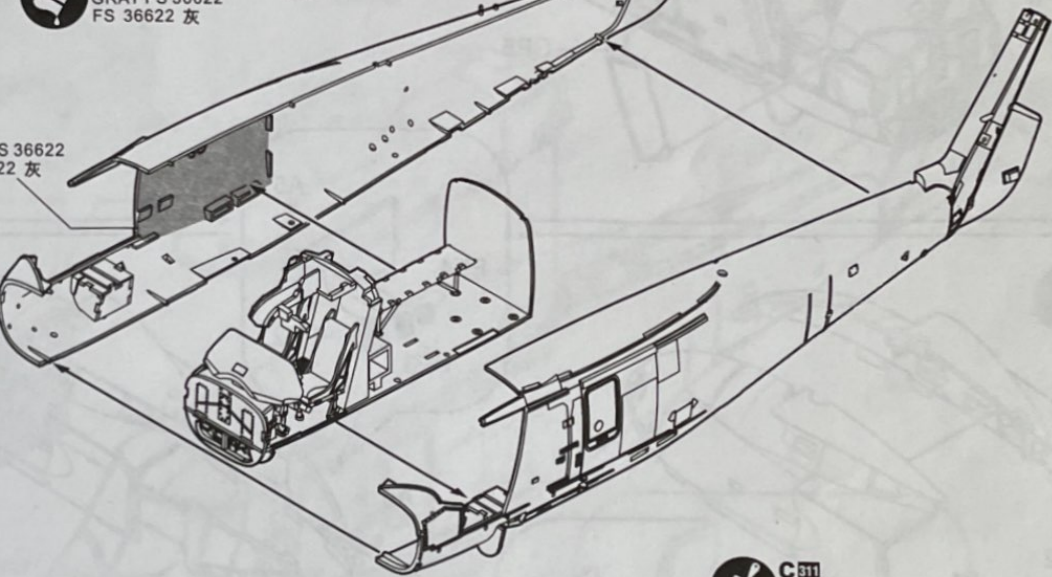


5

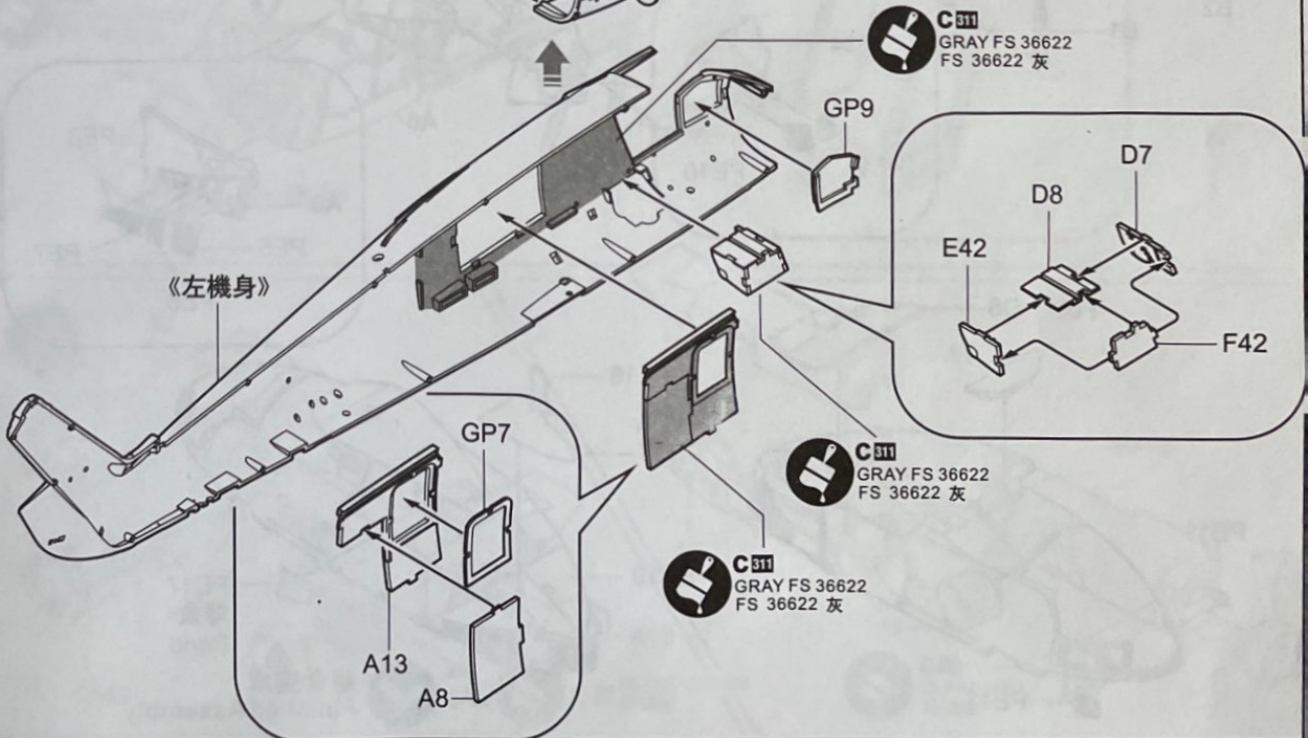
《右機身》



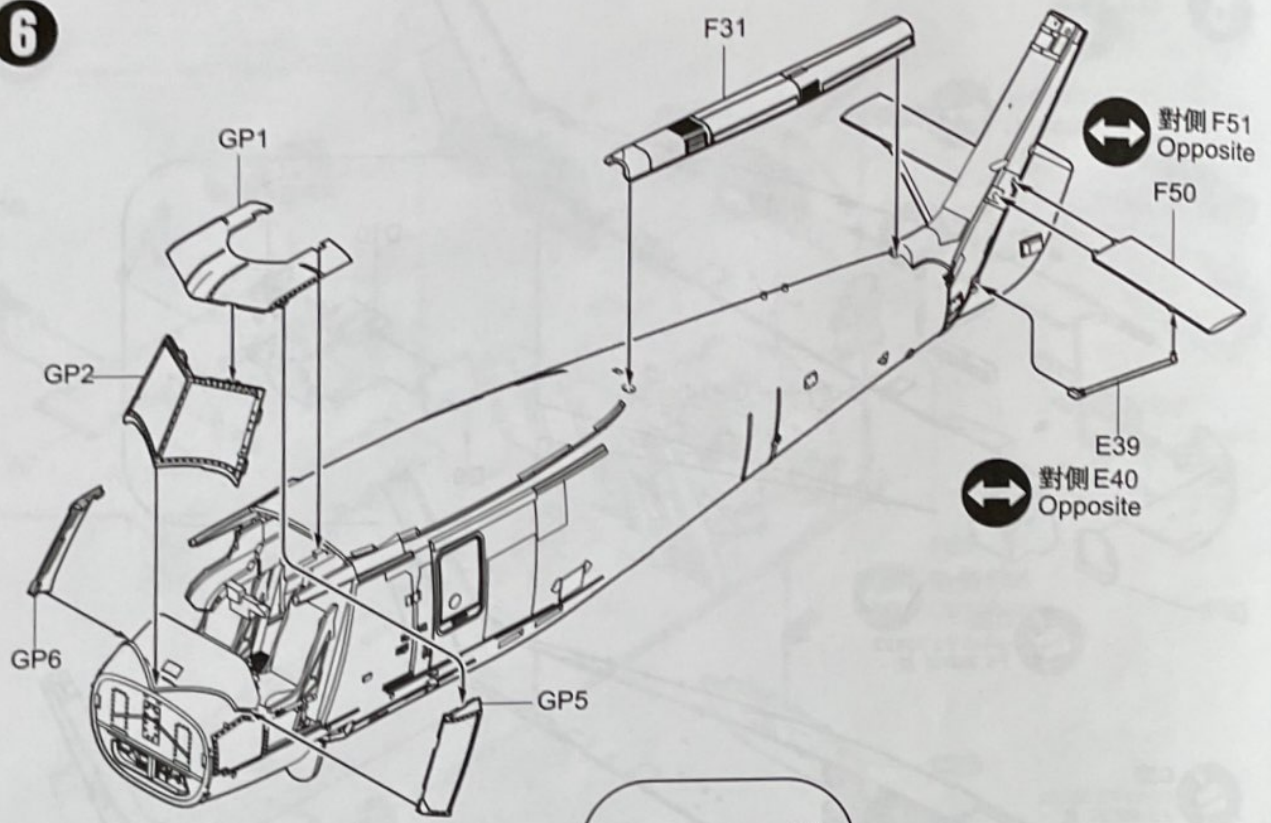
C311
GRAY FS 36622
FS 36622 灰



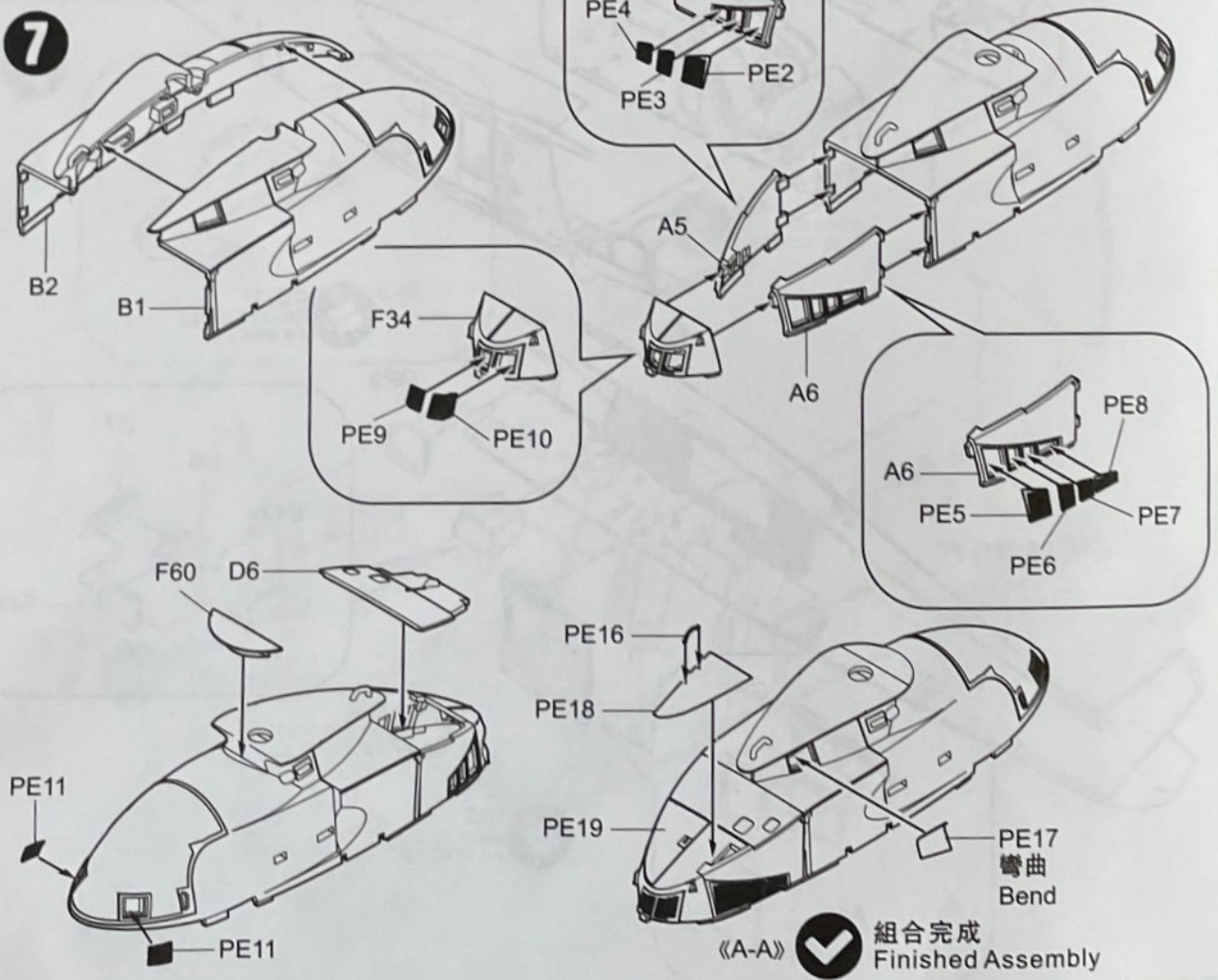
《左機身》



6



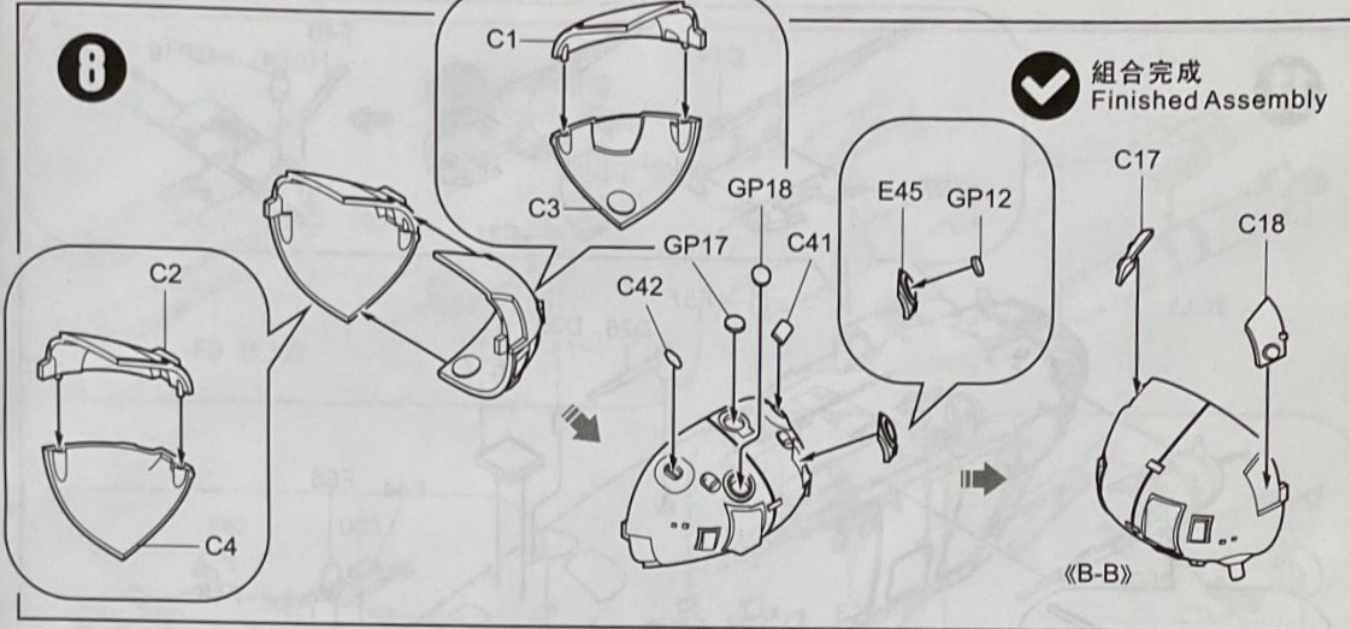
7



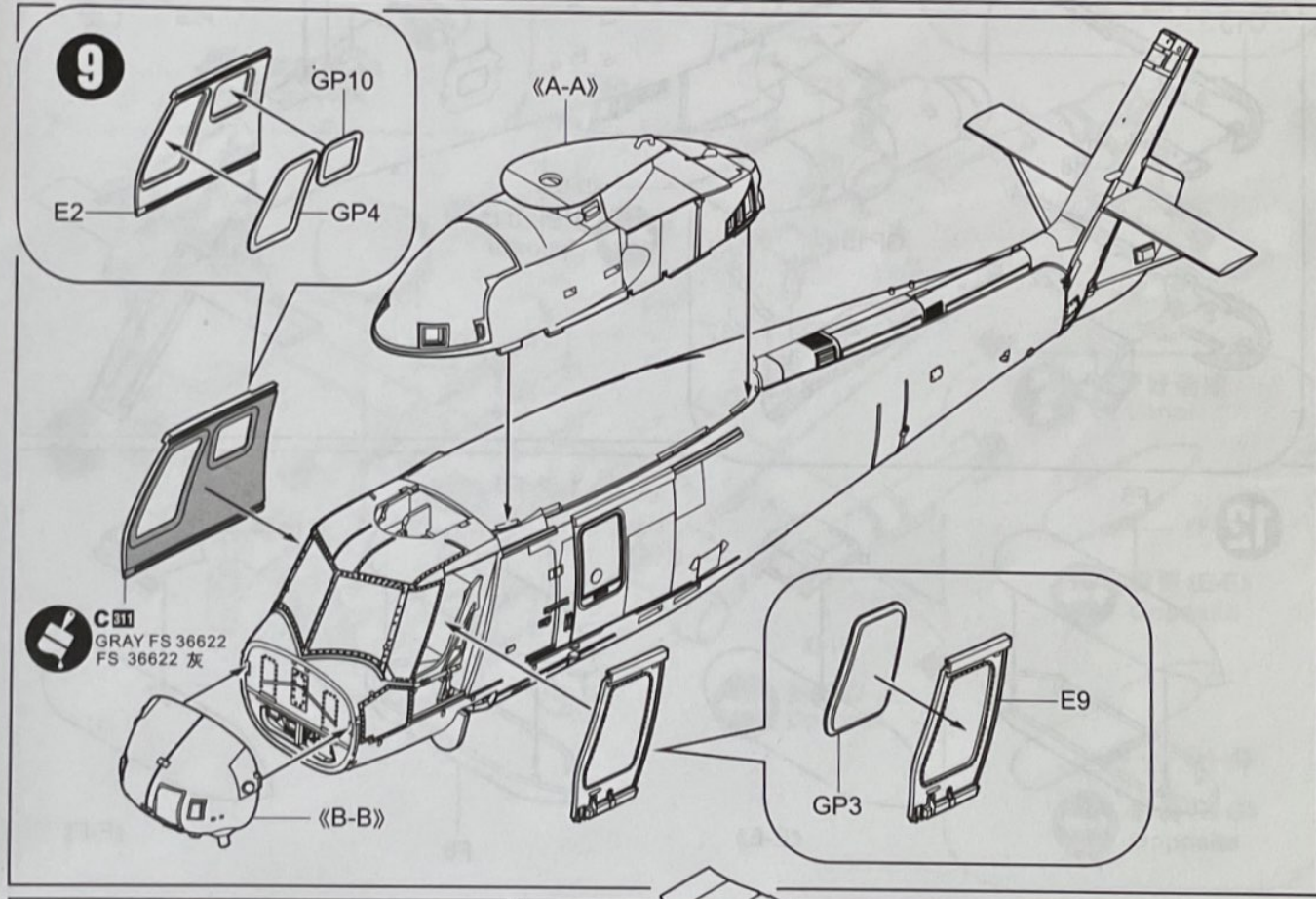
8



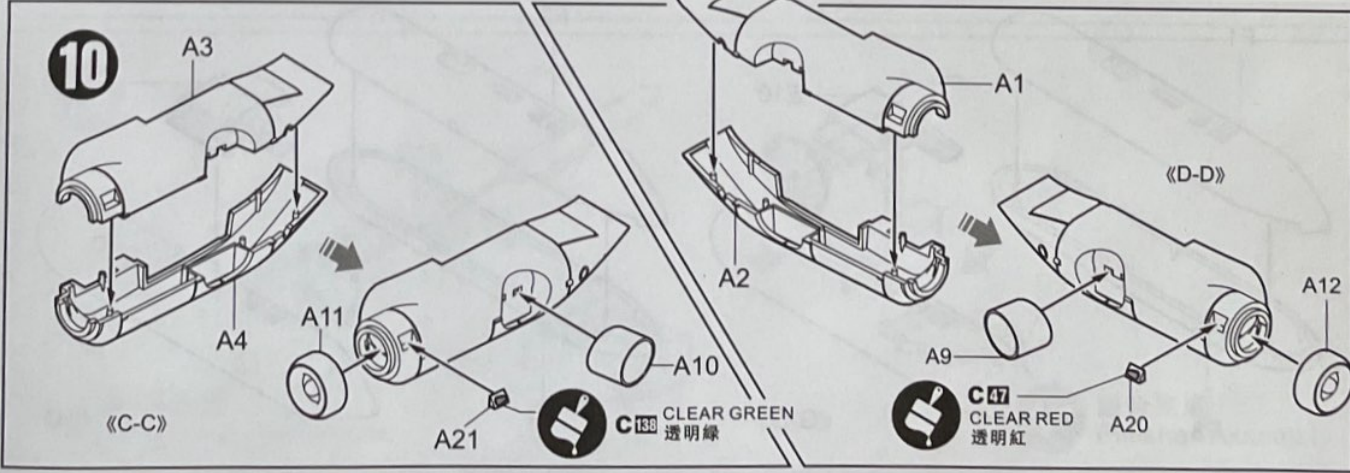
組合完成
Finished Assembly



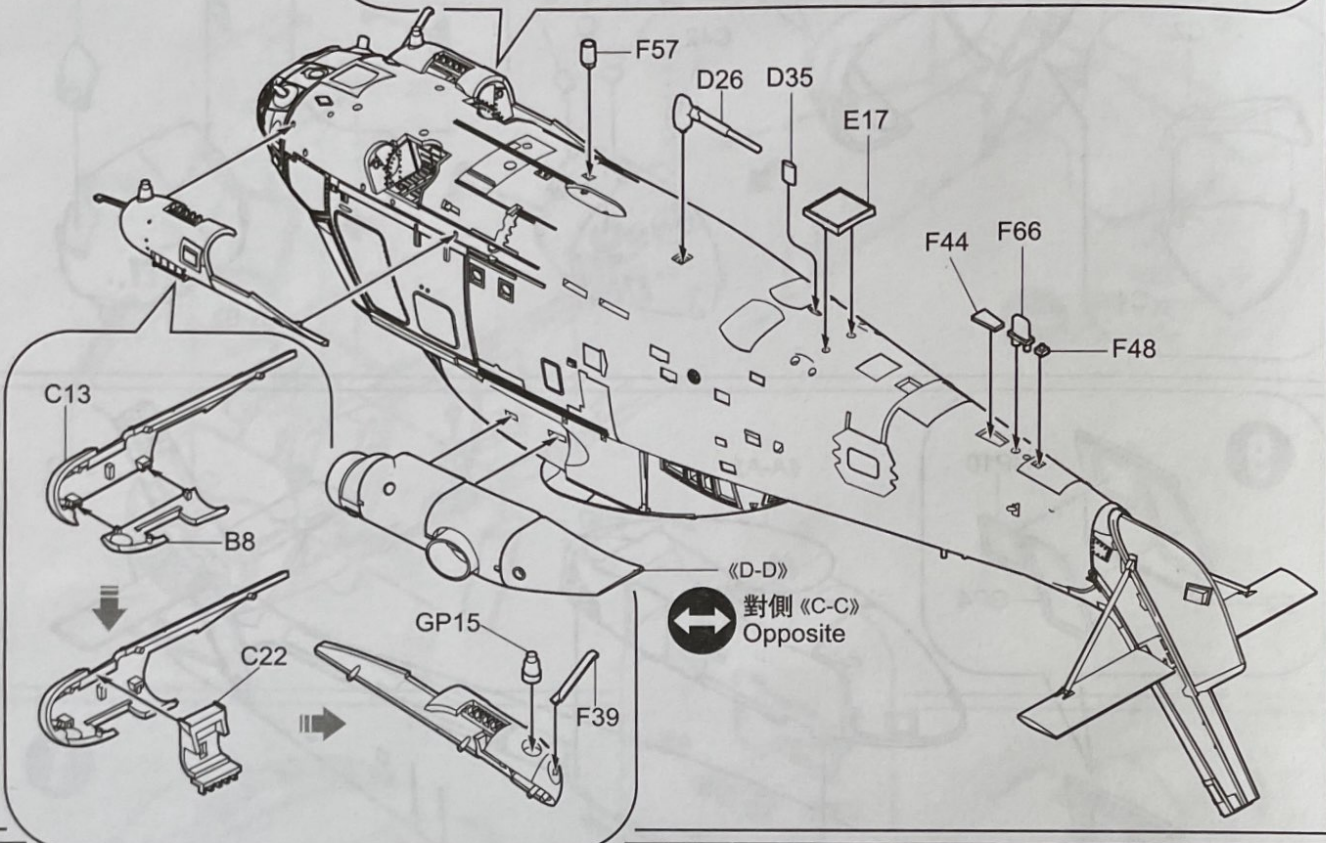
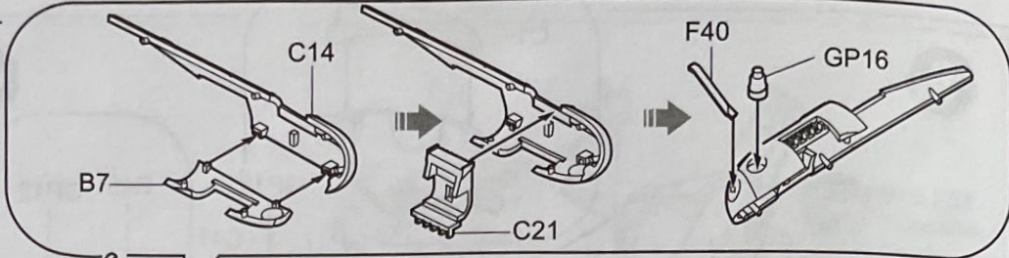
9



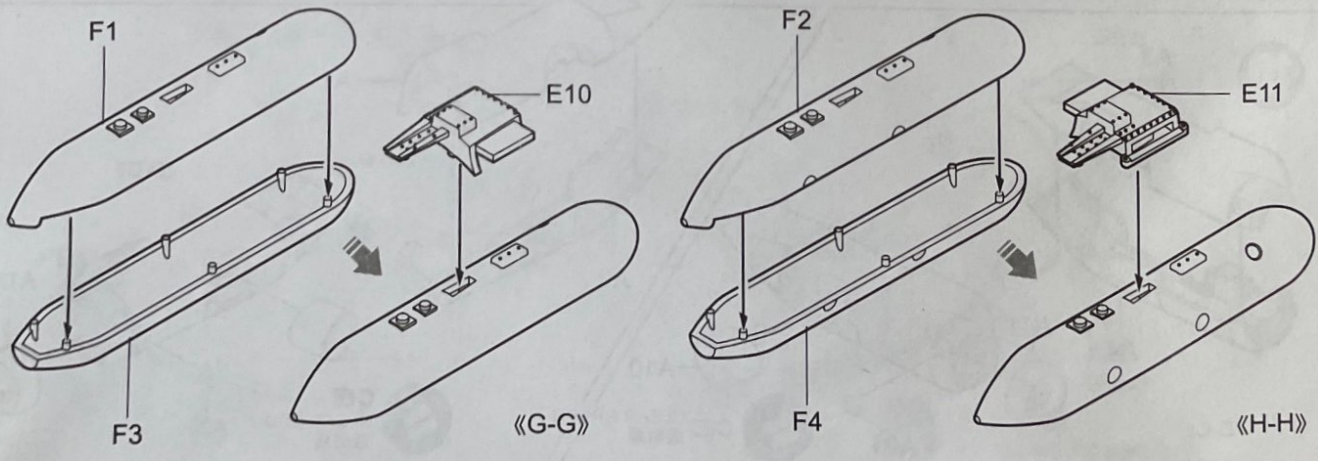
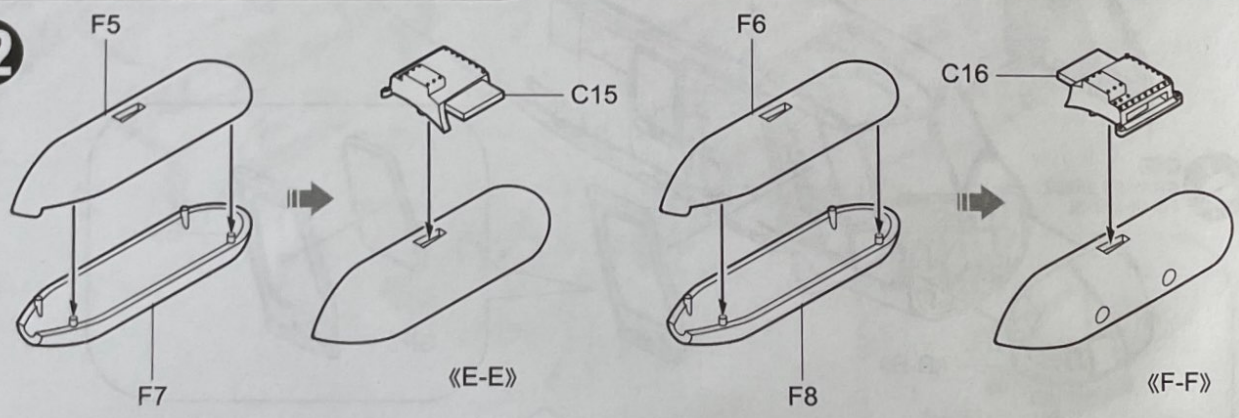
10



11



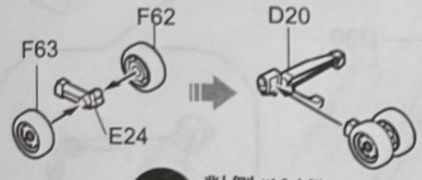
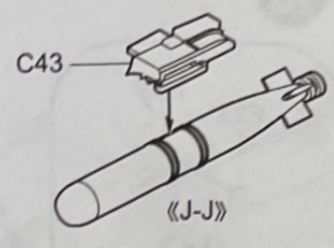
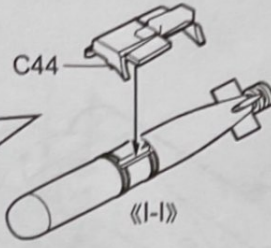
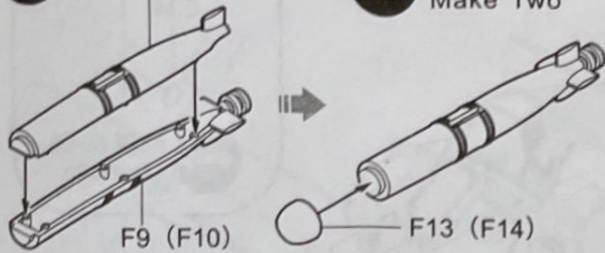
12



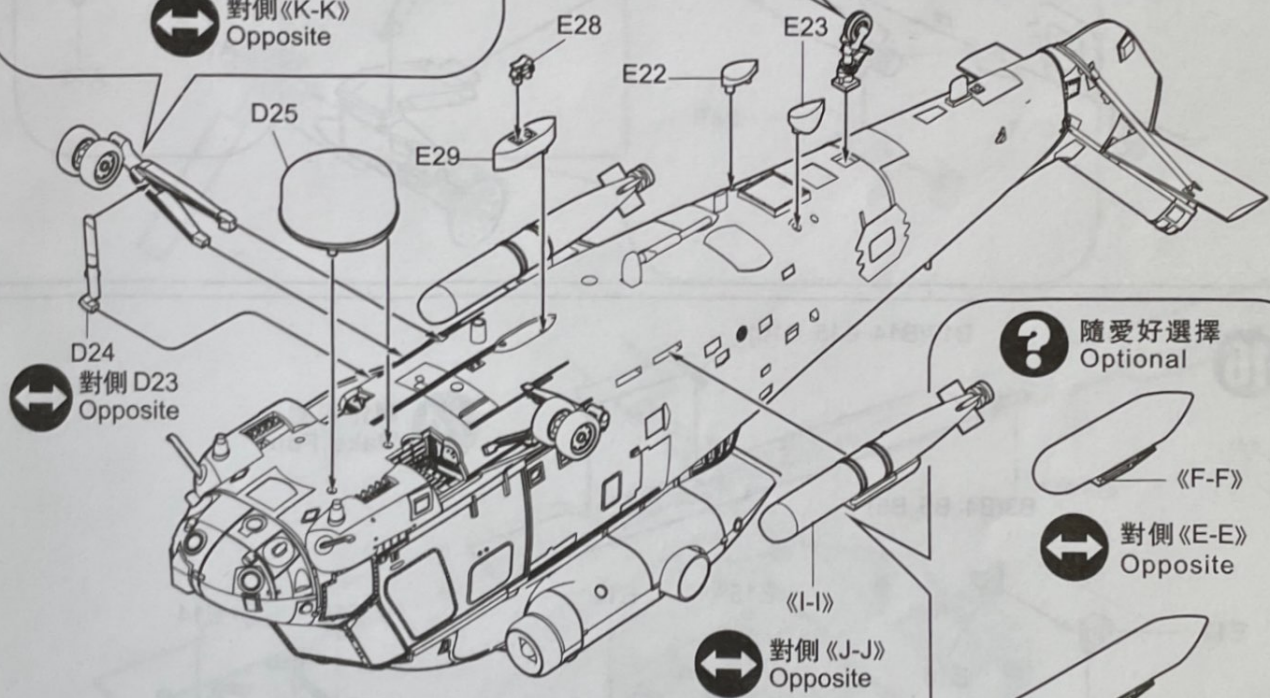
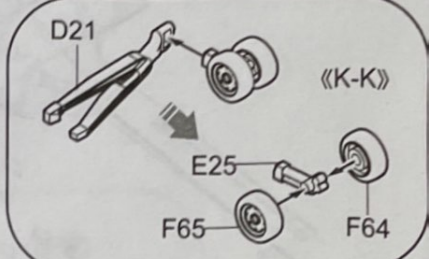
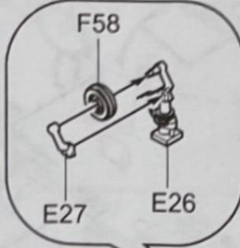
13

F11 (F12)

x2 制作兩組
Make Two



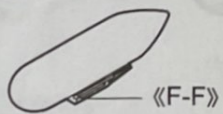
對側$\langle\langle K-K \rangle\rangle$
Opposite



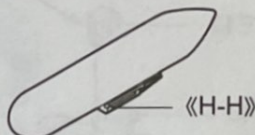
對側 D23
Opposite

對側$\langle\langle J-J \rangle\rangle$
Opposite

? 隨愛好選擇
Optional



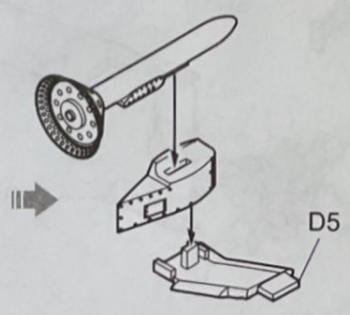
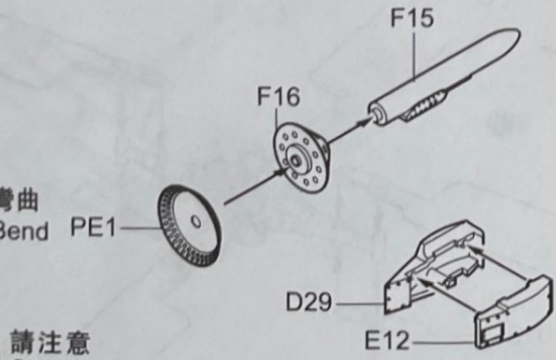
對側$\langle\langle E-E \rangle\rangle$
Opposite



對側$\langle\langle G-G \rangle\rangle$
Opposite

14

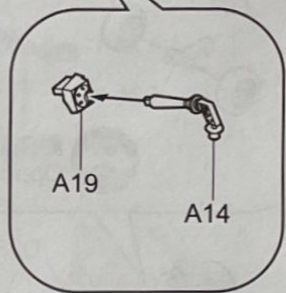
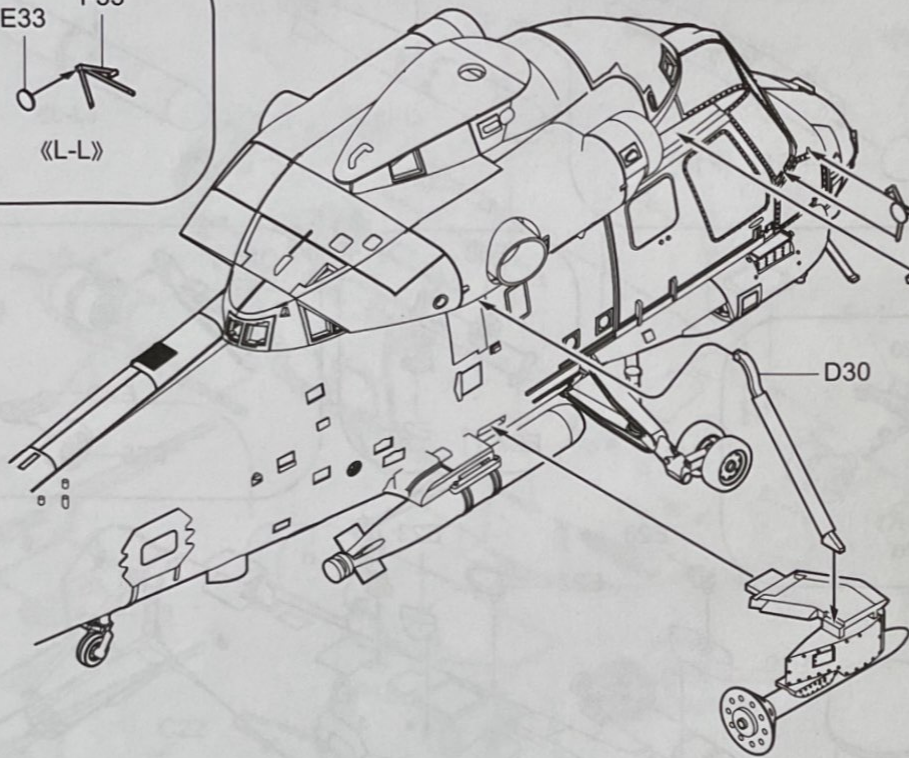
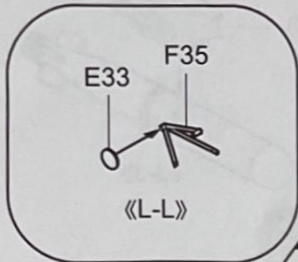
彎曲
Bend PE1



! 請注意
Special instructions

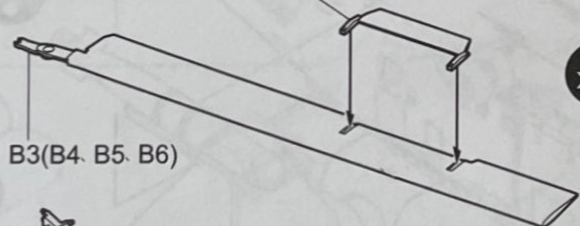
組合完成
Finished Assembly

15

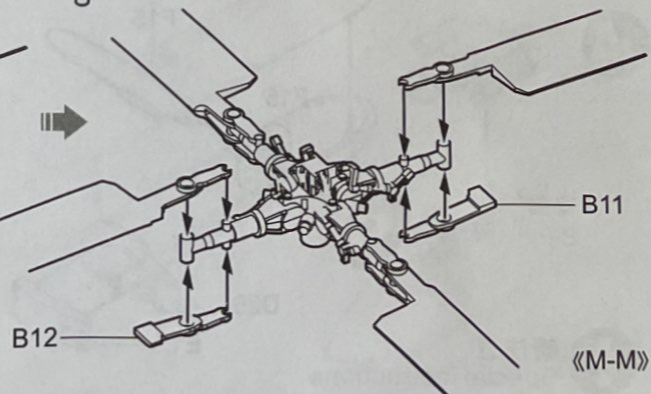
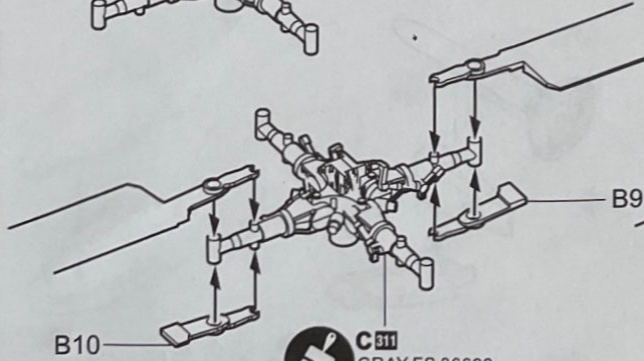
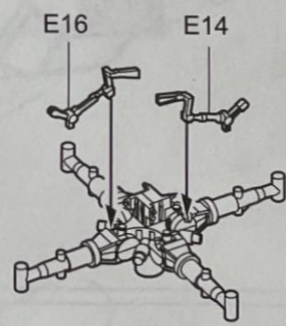
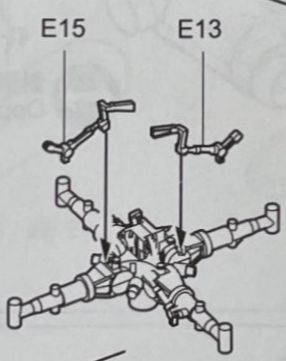
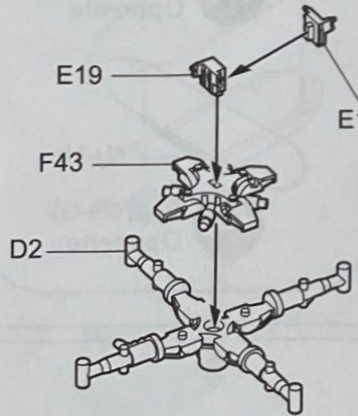


16

B13(B14. B15. B16)



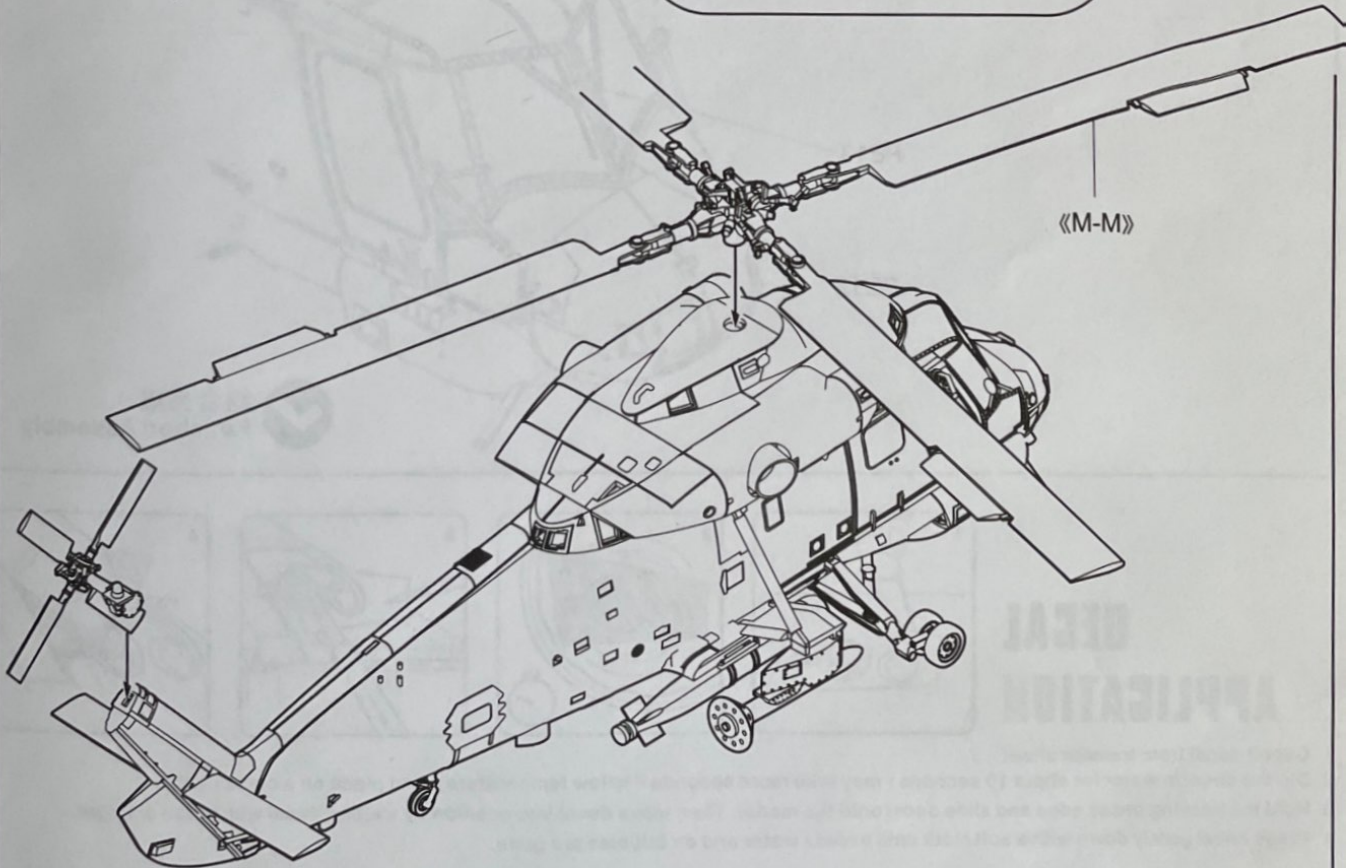
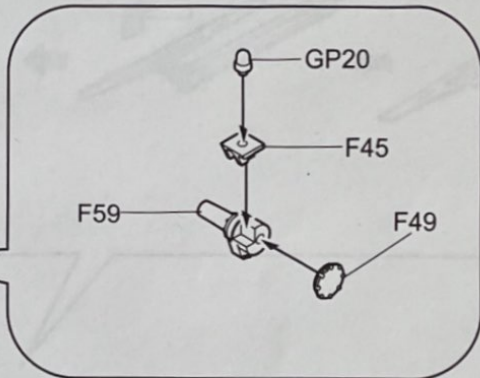
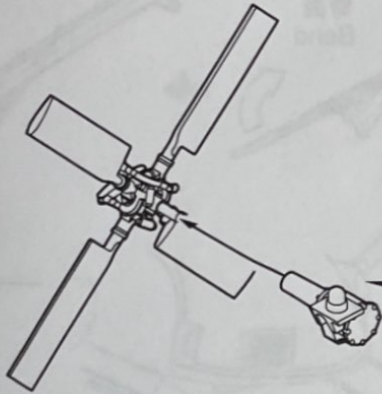
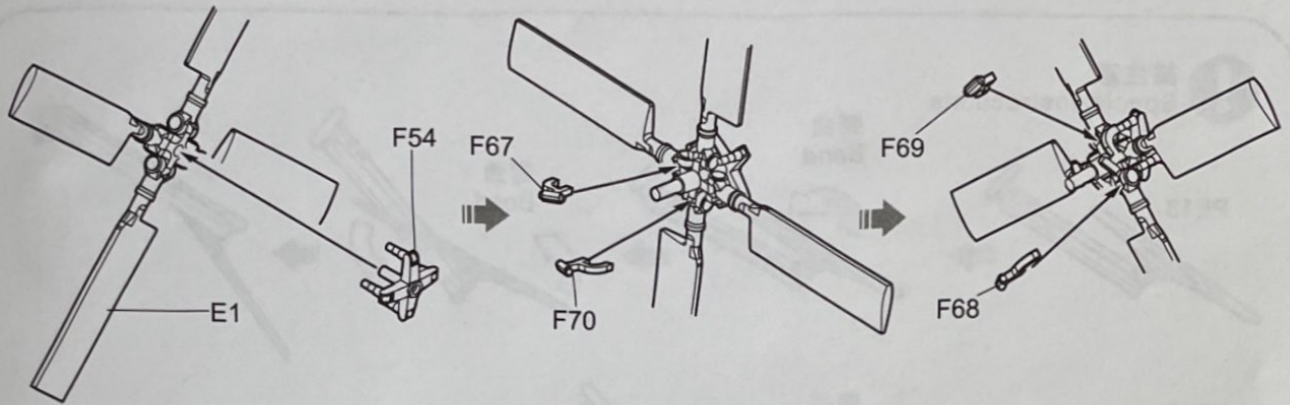
×4 制作四組
Make Four



C311
GRAY FS 36622
FS 36622 灰

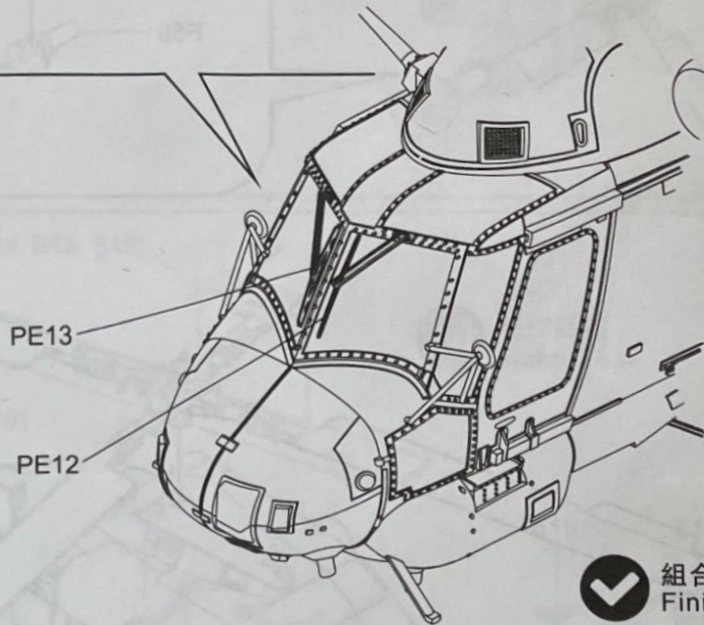
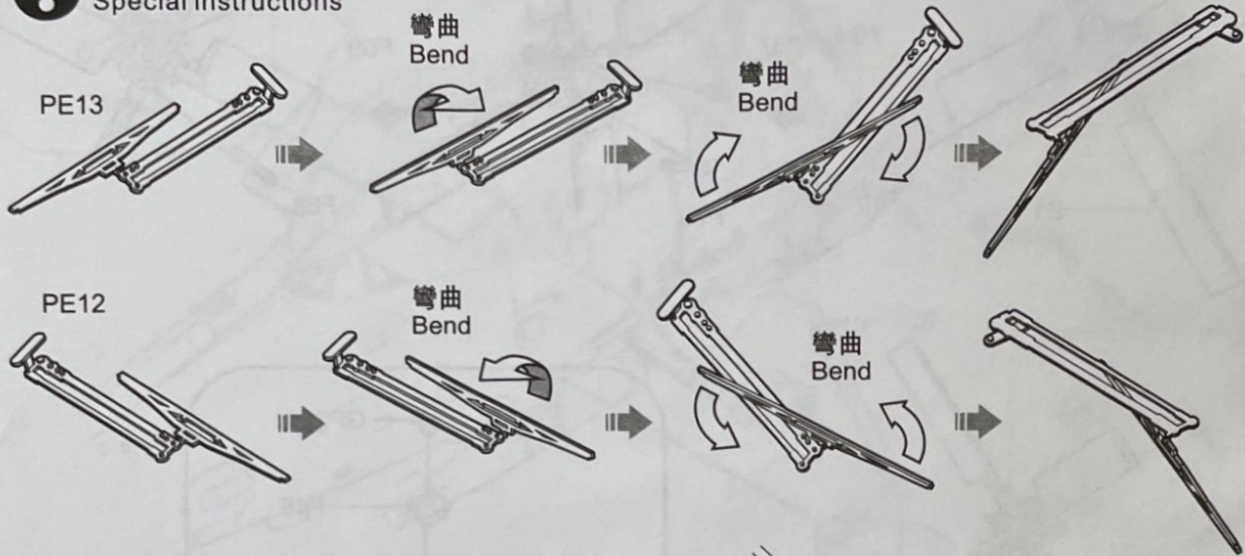
«M-M»

17



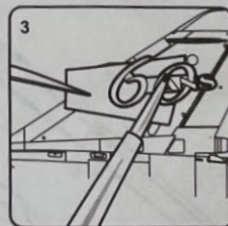
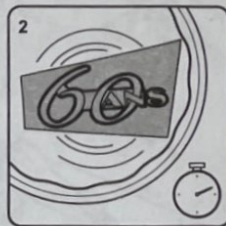
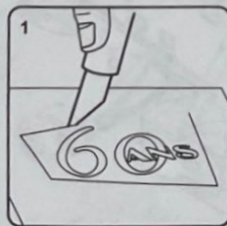
18

! 請注意
Special instructions



✓ 組合完成
Finished Assembly

DECAL APPLICATION



1. Cut off decal from transfer sheet.
2. Dip the decal in water for about 10 seconds (may take more seconds if in low temperature), and place on a clean cloth.
3. Hold the backing paper edge and slide decal onto the model. Then move decal into position by wetting decal with brush or finger.
4. Press decal gently down with a soft cloth until excess water and air bubbles are gone.



Copy Right 2013, Kitty Hawk. All Rights Reserved.

PRINTED IN CHINA

Painting & marking Guide

B, SH-2F No.1314 HSL-37 of U.S.N.

Fuel Tank



018 MIDNIGHT BLUE
午夜藍

018 FLAT BLACK
深黑色



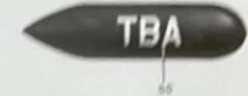
x4 制作四組
Make Four

018 RADOME
天線罩

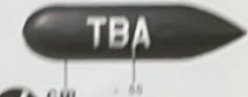
018 YELLOW
黃色



Fuel Tank



TBA



TBA

018 MIDNIGHT BLUE
午夜藍

018 FLAT BLACK
深黑色



x4 制作四組
Make Four

018 GRAY FS 36022
FS 36022 灰

018 SILVER
銀色

018 BURNT IRON
深褐色



x4 制作四組
Make Four



018 YELLOW
黃色

Painting & marking Guide 塗裝與水貼

C Naval Air Test Center Patuxent River
Kaman SH-2F Sea Sprite BuNo 149750.

Fuel Tank



C MIDNIGHT BLUE
午夜藍

C FLAT BLACK
消光黑

x4 制作四組
Make Four

C RADOME
天線罩色

C RED
紅色

C FLAT BLACK
消光黑

x4 制作四組
Make Four

C GRAY FS 36622
FS 36622 灰

C YELLOW
黃色

x4 制作四組
Make Four

x4 制作四組
Make Four

C MIDNIGHT BLUE
午夜藍

C MIDNIGHT BLUE
午夜藍

C SILVER
銀色

C BURNT IRON
燒鐵色

Fuel Tank



C MIDNIGHT BLUE
午夜藍

C SILVER
銀色

C BURNT IRON
燒鐵色

Illustration by Eric Chan
GUNZE SANGYO Mr. color used