

FROG[®]

FAIREY DELTA II

RESEARCH AIRCRAFT

The first aircraft to set up a world speed record of over 1,000 m.p.h. in March 1956, the Fairey Delta beat the previous record by 310 m.p.h. This astonishing record stood for 21 months until it was beaten by the American fighter, Voodoo. The Fairey Delta has been considerably modified and is now flying as the BAC 221. Our model: 4½" span. 38 parts.

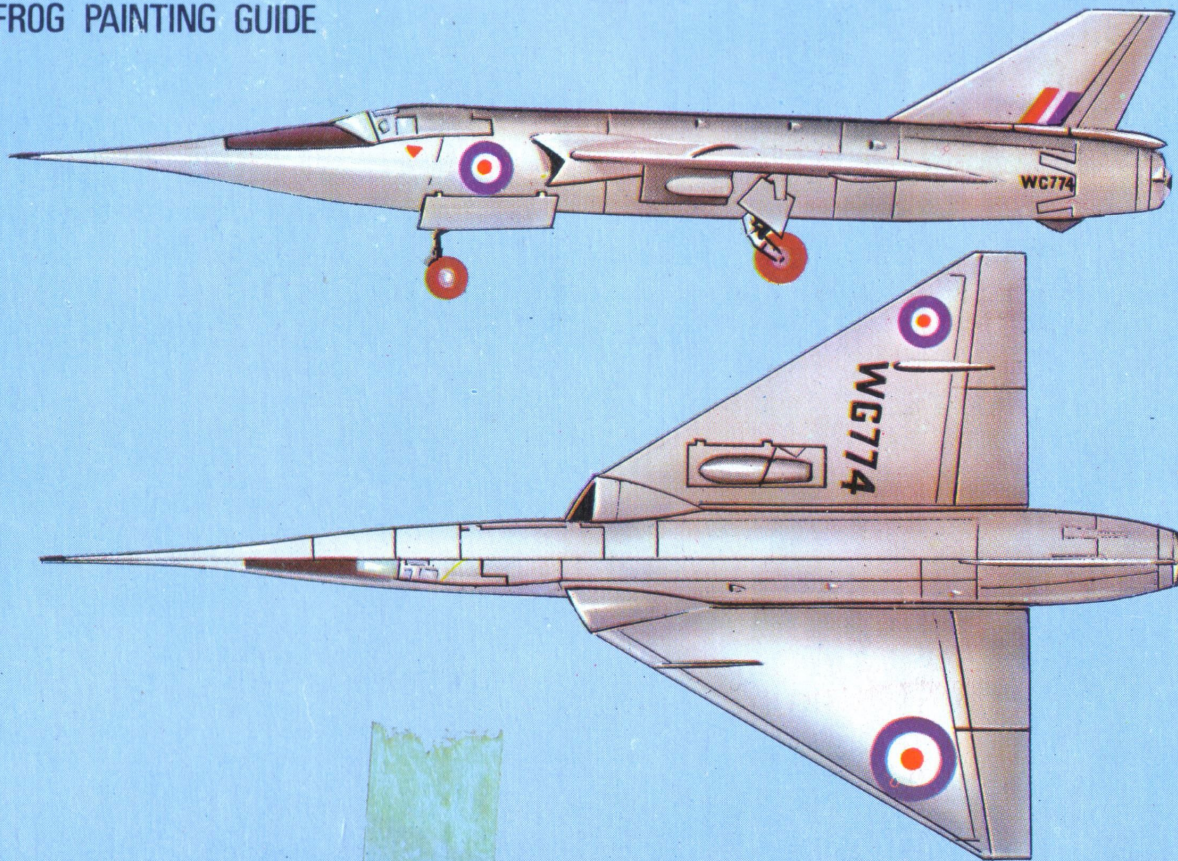
Every time you buy a FROG kit with a Gold Token on the box you will find Gold Tokens inside which are worth exciting FREE GIFTS (U.K. only).



Collect the GOLD TOKENS in FROG KITS

International Model Aircraft Limited, Merton, S.W.19

FROG PAINTING GUIDE



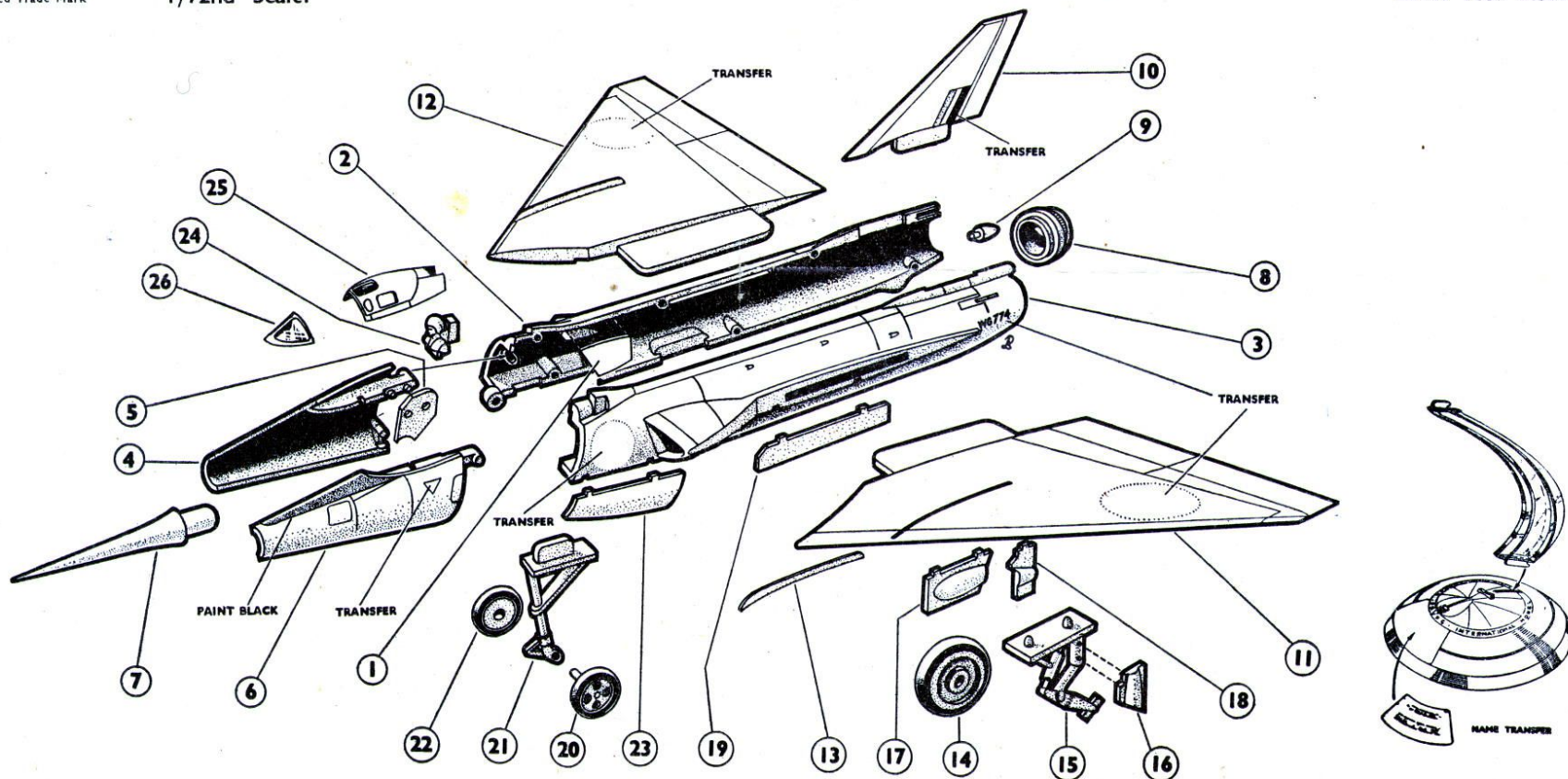
FROG

Registered Trade Mark

Fairey DELTA 2

1/72nd Scale.

CAT. No. F.333



ASSEMBLY HINTS.

It is recommended that the instructions and exploded view are studied and assembly practised before commencing.

Use Frog Polystyrene Cement and Frog Paints.

It may be necessary in some cases to mix two or more colours to obtain shades required. Paint all small parts before assembly.

Make use of the Frog box as a working tray to prevent the loss of small parts.

Great care should be taken on handling the capsules of cement to avoid getting the adhesive on the face or clothing, and in particular, in the eyes.

ASSEMBLY INSTRUCTIONS.

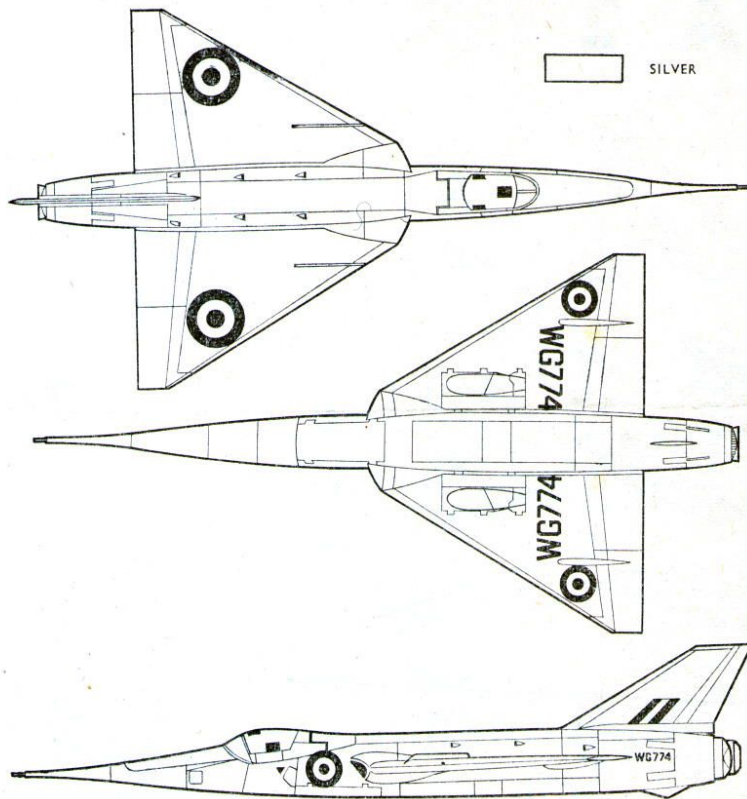
1. First cement the light-deflectors (1) in place in the fuselage halves (2) and (3).
2. Now take the starboard nose-piece (4), fit the light deflector (5) over the guide pins and assemble this to the rear starboard half (2) by the two larger pins and sockets. **Do not cement these together.** Then cement the other half of the nose (6) by the edges only, to the starboard half (4). Finally assemble the rear port side (3) in place against

- (2) by cementing the edges only. Use elastic bands to hold them together until they are set. Carefully clean off any surplus cement with a knife, which may have squeezed out.
3. Cement the nose-probe (7) in place at the front of the fuselage, and the exhaust ring (8) at the rear. Also fix the cone piece (9) in place. (This is the braking-parachute housing).
4. Cement the fin (10) in place in the slot provided.
5. Next cement the wings (11) and (12) in the slots in the fuselage.
6. Carefully cement the "fences" (13) into the slots in the wings.
7. Assemble the main wheels (14) to the undercarriage (15) and seal the ends of the axles by touching them with a hot iron or any heated metal. Fix the cover pieces (16) to the legs, then cement the other doors (17), (18) and (19) in place in their respective slots.
8. Assemble the front undercarriage wheel (20) to the leg (21) and carefully cement the other wheel (22) to the axle. Then cement the doors (23) in place in their slots.
9. Paint the pilot (24) before fixing into place. Then cement it in the slot in the cockpit. Paint the inside of this light green, then cement the canopy (25) to the windscreen (26). When set, fix it to the front half of the fuselage only. The

rear end of the canopy is meant to slide away from the fuselage when the nose droops. This completes the construction.

PAINTING AND FINISHING.

10. The model can be left the natural plastic finish, or painted silver (preferably sprayed on). One of the actual aircraft is coloured silver, whilst another carries a purple finish. Paint the top front of the fuselage black as shown on diagram; also the wheel tyres, exhaust ring, and undercarriage openings. Use Frog plastic enamels and apply one or two coats evenly with a soft brush. Cellulose paints attack the surface of Polystyrene and leave a slightly crackled finish.
11. Affix the transfers in place, where indicated, following the instructions on the back. Separate each part first, and apply the large letters and numbers to the underside of the wing, as indicated in the sketch overleaf.
12. **STAND.** Clip the upright pillar to the base, and apply a little cement to the underside, to avoid marking the top. Affix the transfer in position in the space provided. The top end of the stand fits into the slot in the fuselage.



HISTORY OF THE FAIREY DELTA II RESEARCH AIRCRAFT

The first aircraft to set up a world speed record of over 1,000 m.p.h. in March 1956, the Fairey Delta beat the previous record by 310 m.p.h. This astonishing record stood for 21 months until it was beaten by the American fighter, Voodoo. The Fairey Delta has been considerably modified and is now flying as the BAC 221.

SOME OF THE OTHER EXCITING FROG KITS TO ADD TO YOUR COLLECTION *

1/72nd SCALE AIRCRAFT :

Percival Proctor IV. (Gold Tokens)
Hawker Sea Fury (Gold Tokens)
Miles Magister (Gold Tokens)
Miles Master III. (Gold Tokens)
Fokker D.21 (Gold Tokens)
Dewoitine D520C (Gold Tokens)
Morane Saulnier 406 (Gold Tokens)
Macchi C202 (Gold Tokens)
Curtis Kittyhawk (Gold Tokens)
Focke Wulf FW.190 (Gold Tokens)
Hawker Typhoon (Gold Tokens)
Republic Thunderbolt (Gold Tokens)
Supermarine Spitfire II. (Gold Tokens)
Mitsubishi Zero (Gold Tokens)
Supermarine S6B. (Trail Blazer)
(Gold Tokens)
North American Sabre (Gold Tokens)
Bristol Beaufort II. (Gold Tokens)
Westland Wessex I. (Gold Tokens)
Airspeed Oxford II. (Gold Tokens)
Fairey Barracuda (Gold Tokens)
Spirit of St. Louis (Trail Blazer)
(Gold Tokens)
Blackburn Skua (Gold Tokens)
Westland Wallace (Trail Blazer)
(Gold Tokens)
D.H. Comet 88 (Trail Blazer)
(Gold Tokens)

G.A. Hotspur II. (Gold Tokens)
Hawker Hunter (Gold Tokens)
Fairey Delta (Gold Tokens)
Vickers Supermarine Attacker
(Gold Tokens)
Fairey Gannet (Gold Tokens)
De Havilland D.H.110 (Gold Tokens)
Hawker Sea Hawk (Gold Tokens)
English Electric P.1 (Gold Tokens)
Martin Baltimore (Gold Tokens)
Douglas Boston III. (DB/7B)
(Gold Tokens)

Junkers J.U.88 (Gold Tokens)
Gloster Javelin (Gold Tokens)
English Electric Canberra PR7
(Gold Tokens)

Martin Marauder II. (Gold Tokens)
North American Mitchell
(Gold Tokens)

Vickers Vimy (Trail Blazer)
(Gold Tokens)

Handley Page Dart Herald
Bleriot XI. (Gold Tokens)
Black Widow (Gold Tokens)
Fokker F.VIIB-3M Southern Cross
(Gold Tokens)

1/500th SCALE MODEL :

R100 — Airship.

1/96th SCALE AIRCRAFT :

Avro Lancaster (Gold Tokens)
BEA Vickers Viscount 800
De Havilland Comet
Avro Vulcan
Vickers Valiant
Handley Page Victor
Air France Caravelle
Bristol Britannia 100

1/144th SCALE AIRCRAFT :

Special New Super Kit.
B.O.A.C. Super V.C.10
with flashing lights
B.O.A.C. Boeing 707

1/500th SCALE SHIPS :

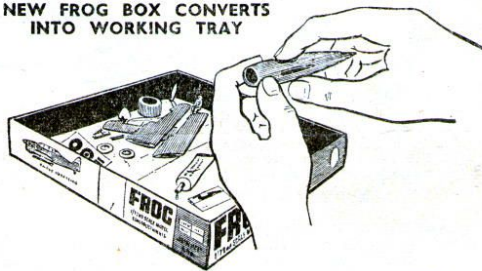
H.M.S. Hero
H.M.S. Ashanti
H.M.S. Torquay
H.M.S. Undine
H.M.S. Revenge (Gold Tokens)
H.M.S. Exeter (Gold Tokens)

OTHER SCALE SHIPS :

Shell Coastal Tanker
Trinity House Lightship
H.M.S. Tiger, Cruiser
Battle Class Destroyer

* PRICES ARE U.K. ONLY FROM 2/- to 19/11.

NEW FROG BOX CONVERTS INTO WORKING TRAY



GET YOUR FROG STORY-BOOK CATALOGUE AND ALBUM FROM YOUR FROG DEALER NOW!

SAVE GOLD TOKENS FOR EXCITING FREE GIFTS!

Here are 7 FROG GOLD TOKENS for you to collect for the wonderful free gifts. Every time you buy a FROG Construction Kit with a GOLD TOKEN on the box you will find FROG GOLD TOKENS inside which are worth exciting free gifts to you. Save your FROG GOLD TOKENS. Look out for other FROG Construction Kits with GOLD TOKENS inside. They are fun and easy to collect and when you have enough you can send for any of these free gifts :-
Two FROG "Chuck" Gliders. Balsa construction. Stunt and fly like a real plane ... 15 tokens.
Book of "Record-Breakers". 32 pages of full colour showing records and pictures of land, air and water record breakers ... 30 tokens.
FROG Junior Sail Plane Kit. 20" semi-scale Glider. Balsa wood and tissue construction. All shaped parts pre-cut. Outstanding flying characteristics ... 45 tokens.

ALL YOU HAVE TO DO.

Just cut out and save your FROG GOLD TOKENS on this leaflet. When you have collected enough for the free gifts you want, send them with your name and address together with a 3d. stamp, to help with the postage of your gift to :-

GOLD TOKEN (DEPARTMENT F), LONDON, N.W.1.

Due to the cost of postage and duty the FROG GOLD TOKEN GIFT SCHEME has to be confined to the United Kingdom Only.