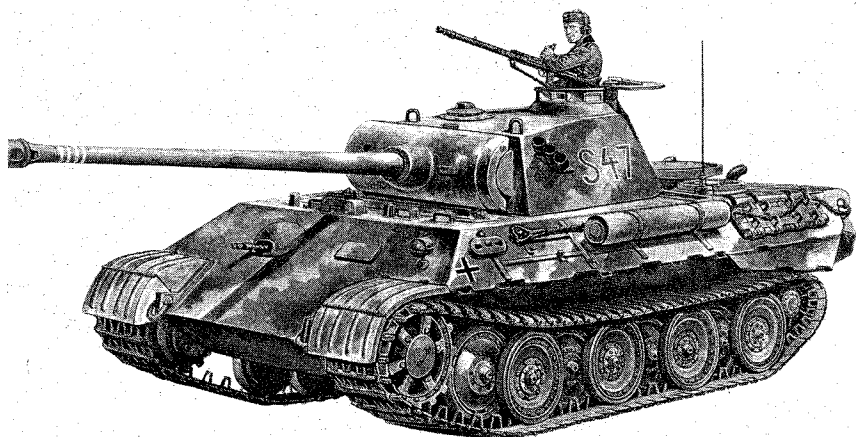


GERMAN TANK Pz. Kpfw. V panther ausf. A.



SPECIFICATION

GENERAL

CREW: 5.

BATTLE WEIGHT: 50,2 TONS.

GROUND PRESSURE: 12,5 LBS/SQ.IN.

DIMENSIONS

LENGTH: 22,6 FT.

HEIGHT: 9,7 FT.

WIDTH: 10,8 FT.

WIDTH OF TRACK: 26 IN.

GROUND CLEARANCE: 21,2 IN.

ARMAMENT

ONE 7,5 - CM. KwK 42, CALIBER LENGTH 70.

TWO 7,9 - MM. MG 34 (COAXIAL AND BOW).

ENGINE

HL 230 P 30 MAYBACH, 700 HP AT 3,000 RPM, 12 CYLINDERS IN V-BLOCK, GASOLINE, LIQUID-COOLED, COMPRESSION RATIO 6.8:1.

PERFORMANCE

SPEED: 29 MP ON ROADS; 16-19 MPH CROSS-COUNTRY. (ONE SOURCE STATES 34 MPH MAX.)

CLIMBING ABILITY: 35° (70%) SLOPE.

TRENCH CROSSING ABILITY: 6,25 FT.

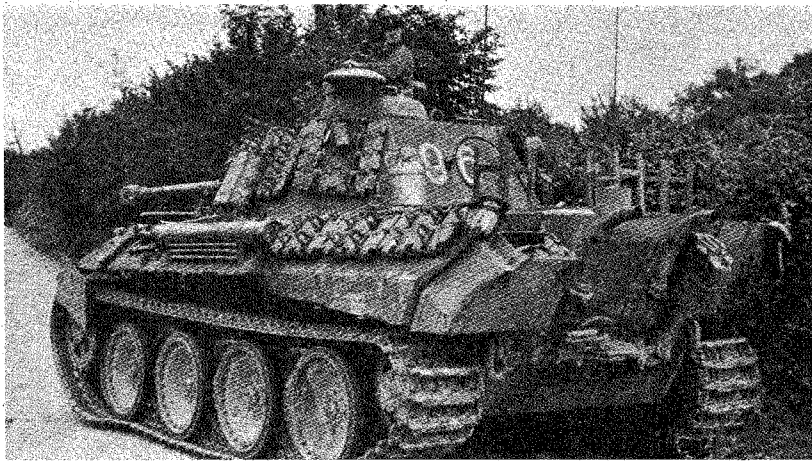
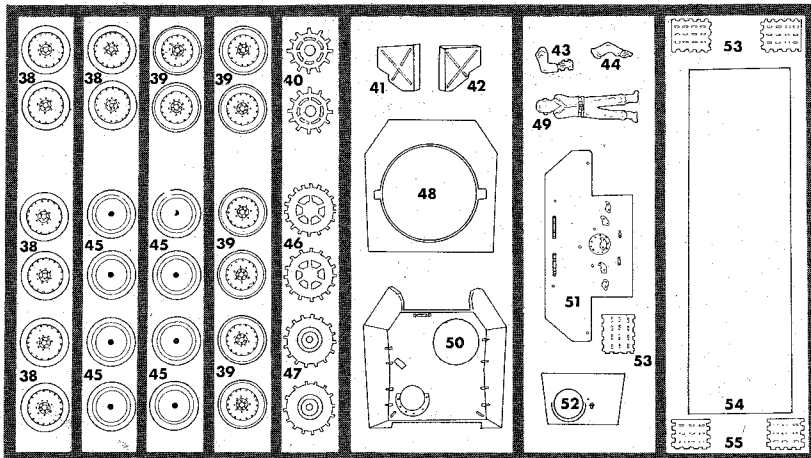
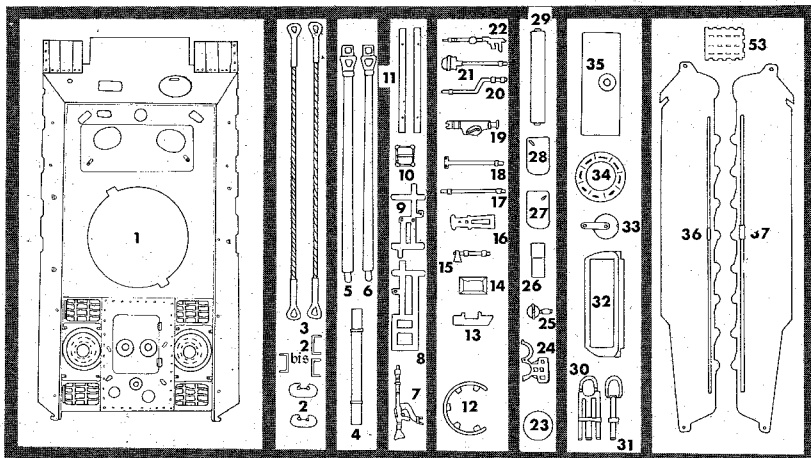
FORDING DEPTH: 67 IN.

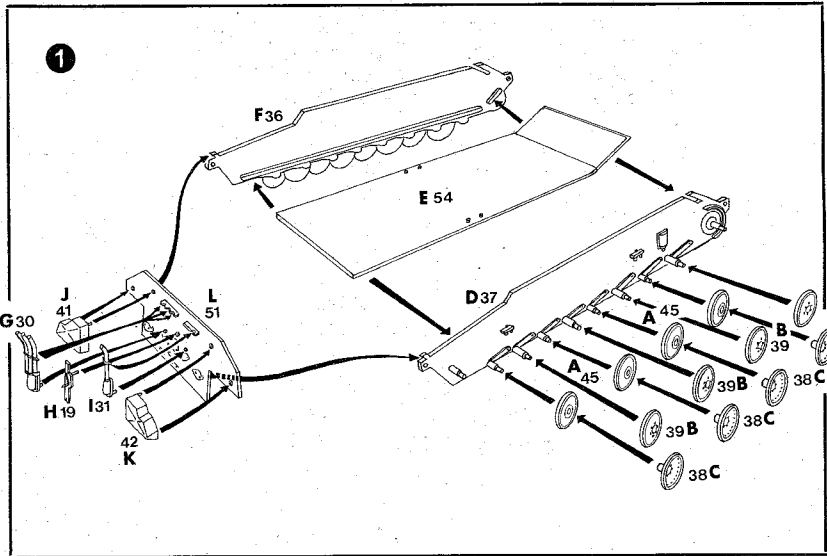
RADIUS OF ACTION: 124 MILES ON ROAD;
62 MILES CROSS-COUNTRY.

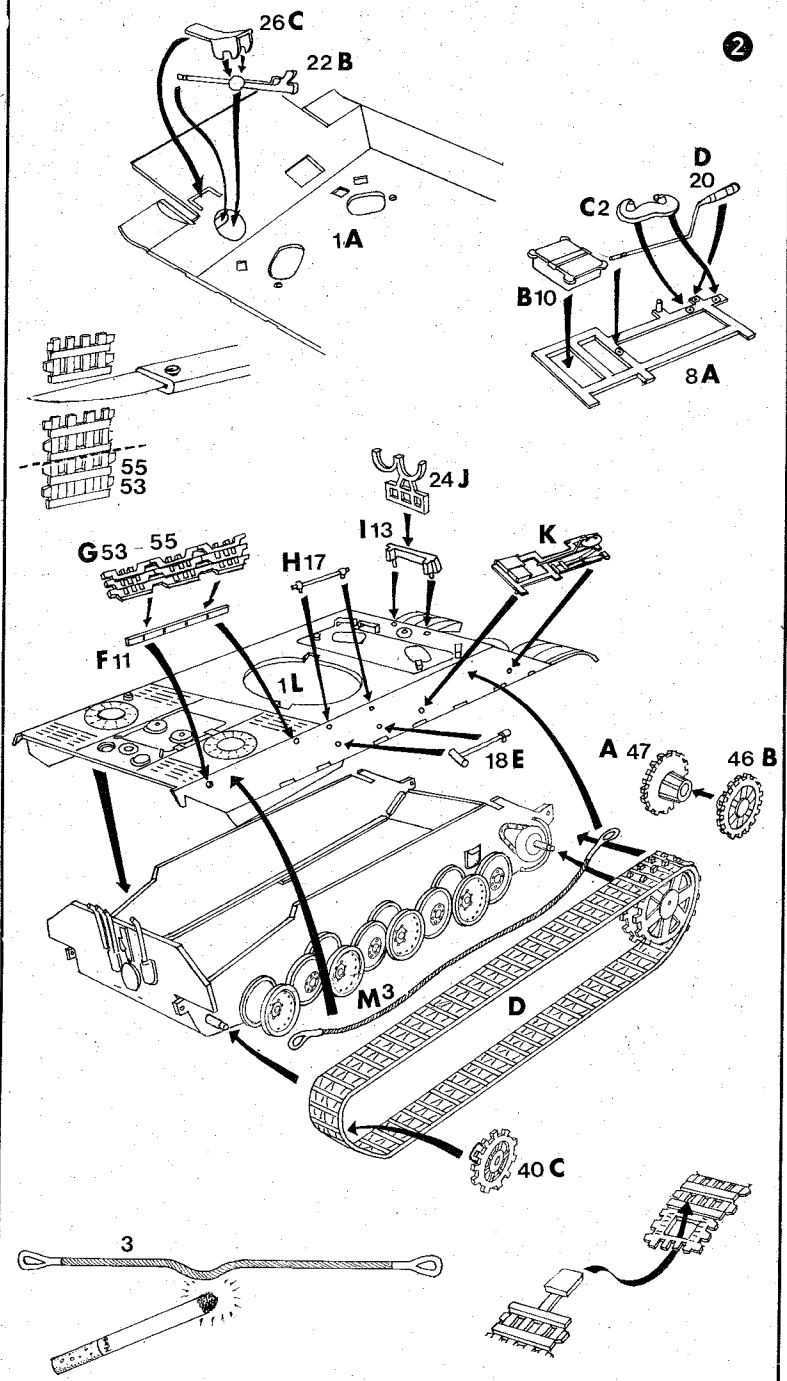
1/72 SCALE

KIT 8026

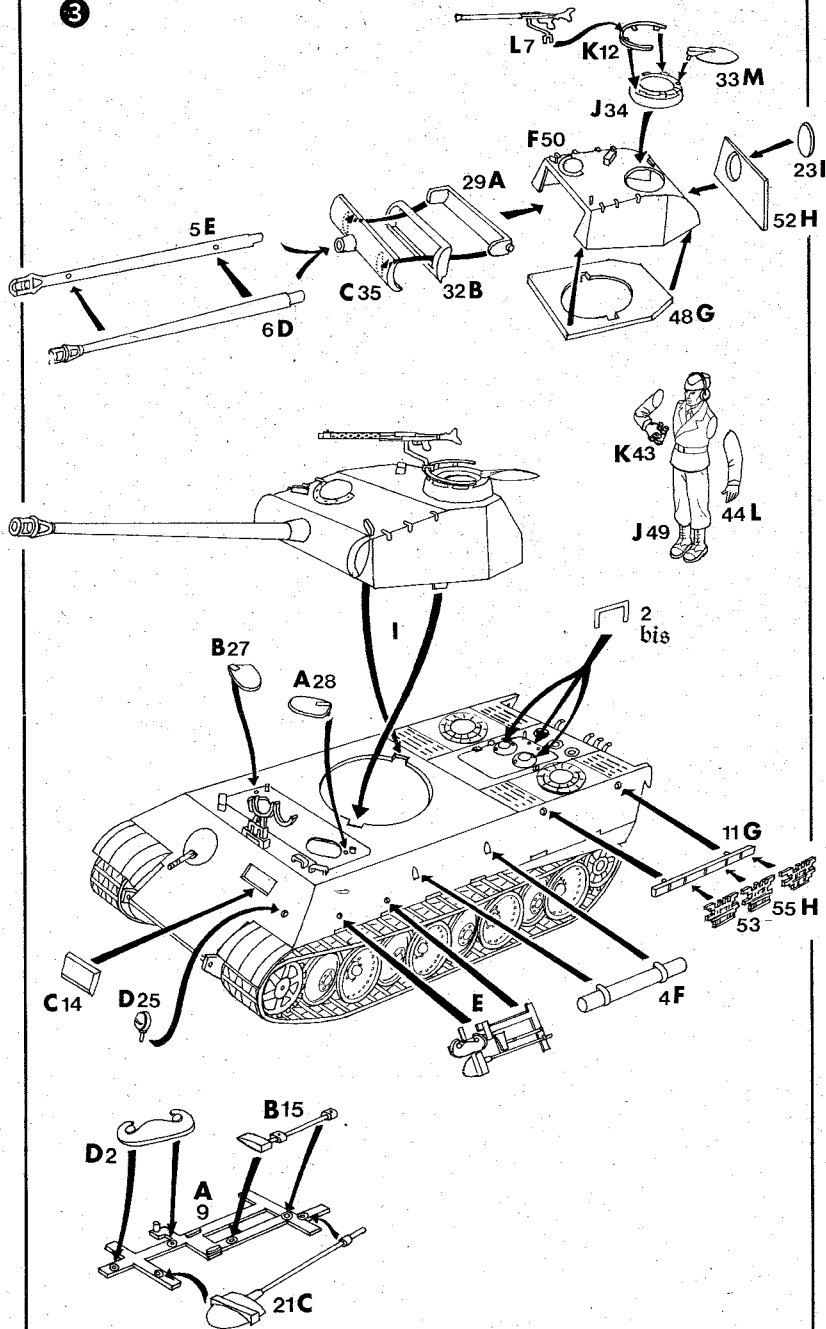




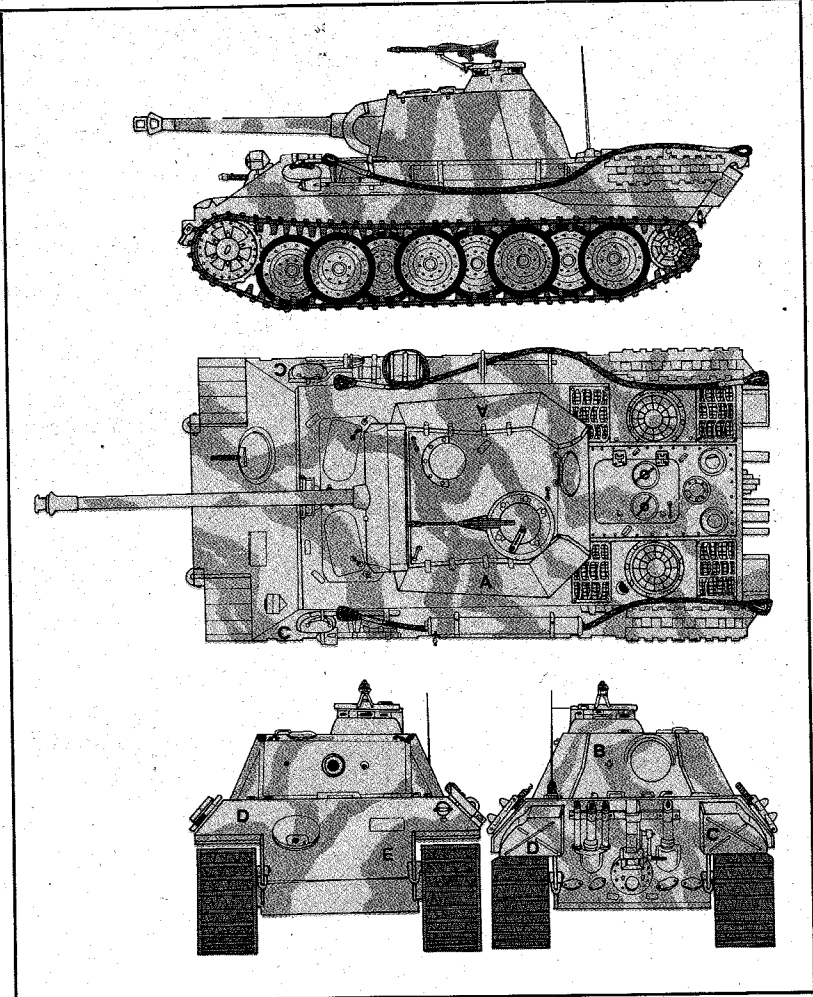





3



G



135^A 135^C +
 +^C +^D +^D 135^F
 432^A 432^B +^C
 +^D 432^F +^F +^F
 234^A 234^D +^D
 234^B +^C +^C
 132 132 132^B
 +^A +^A +^A BERTHA E
 +^C +^C +^C +^D


 ESK
 ESCH MACHWERKEN

MILANO ITALY
 KIT 8026
 PANTHER