

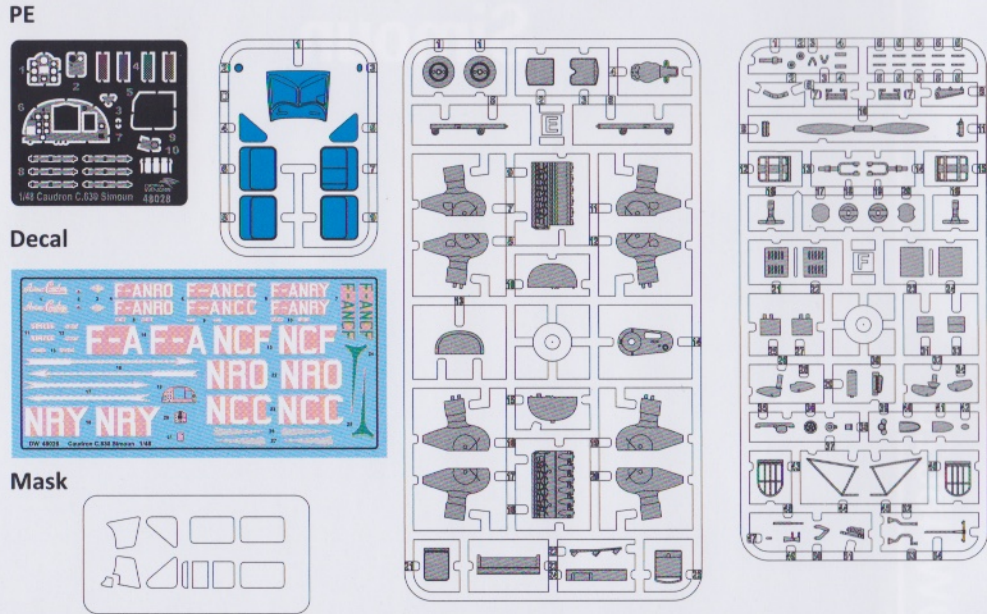
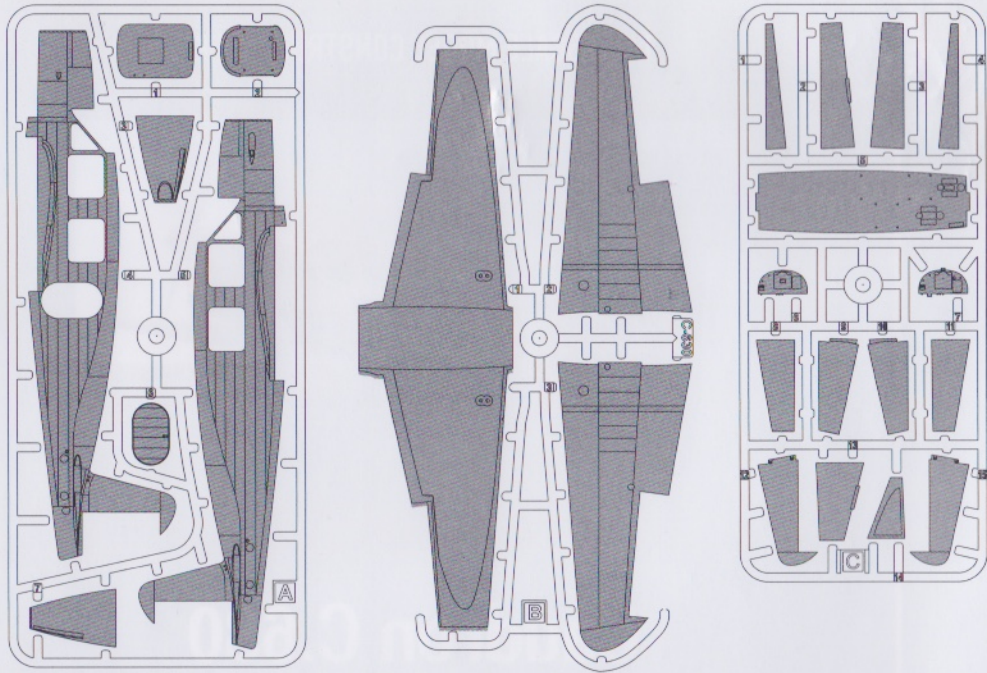
1/48 SCALE MODEL CONSTRUCTION KIT



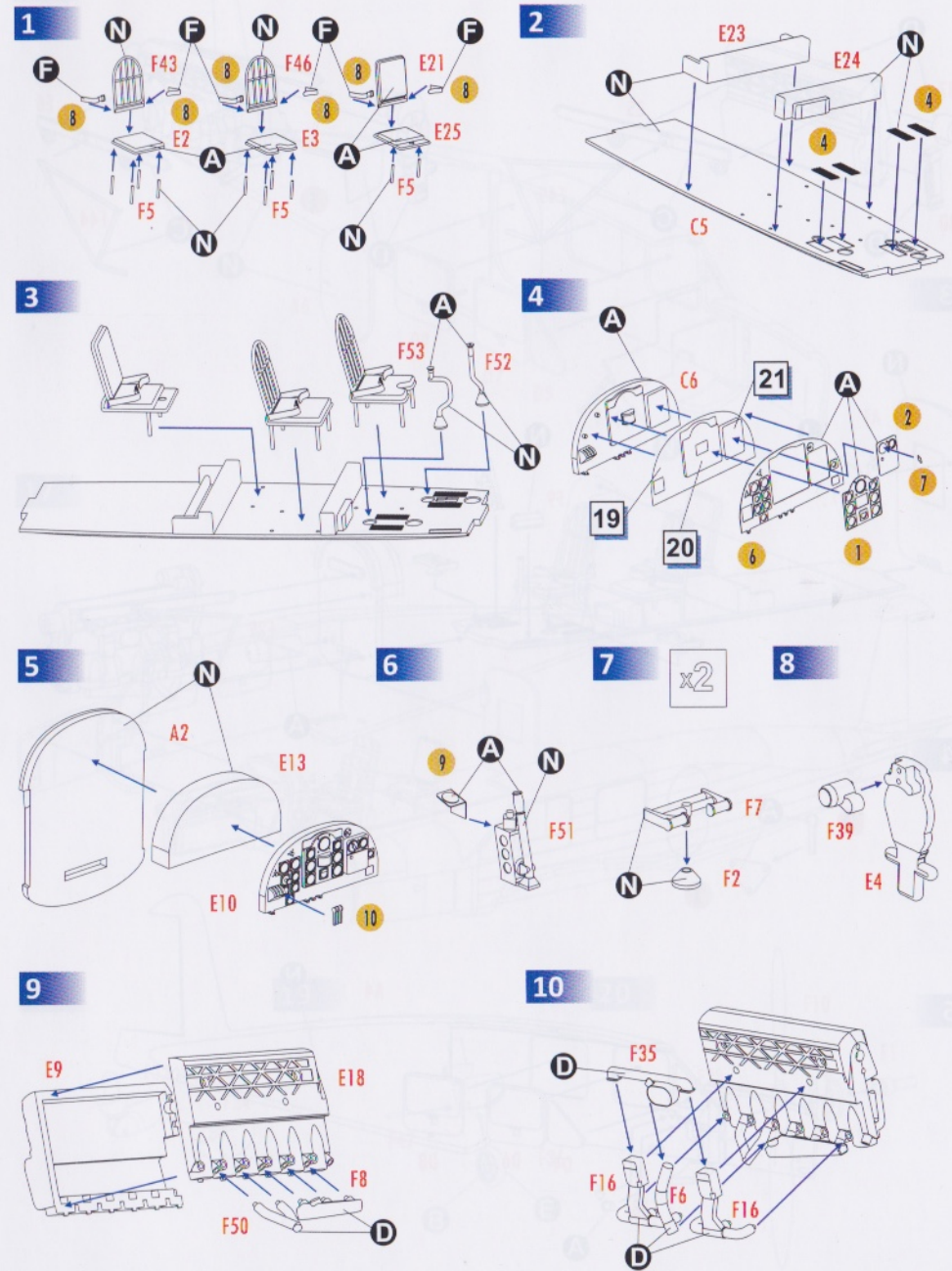
Caudron C.630 Simoun

DW 48028

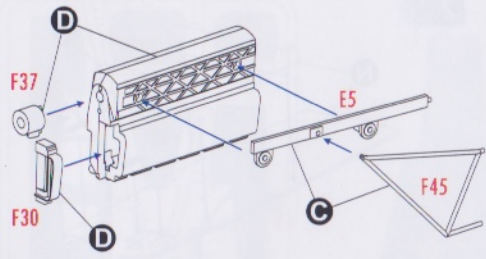
PARTS OF THE MODEL



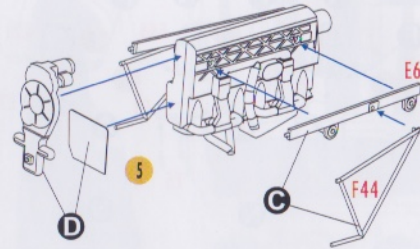
ASSEMBLY INSTRUCTION



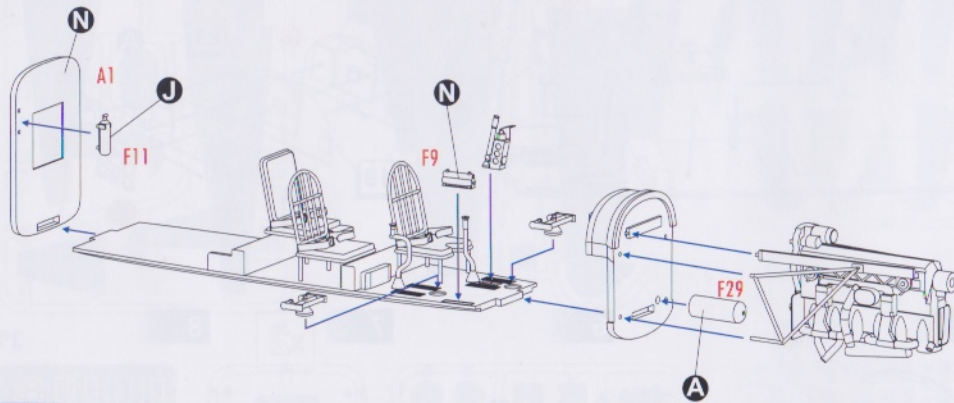
11



12



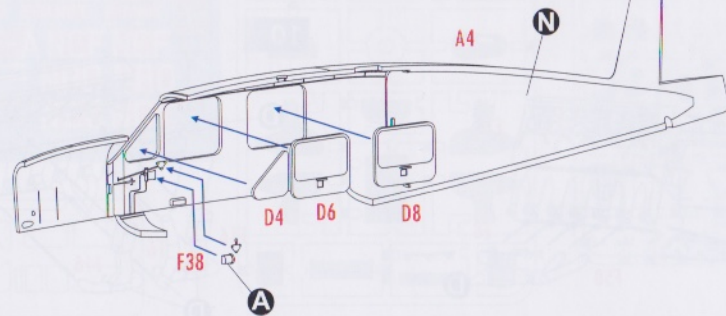
13



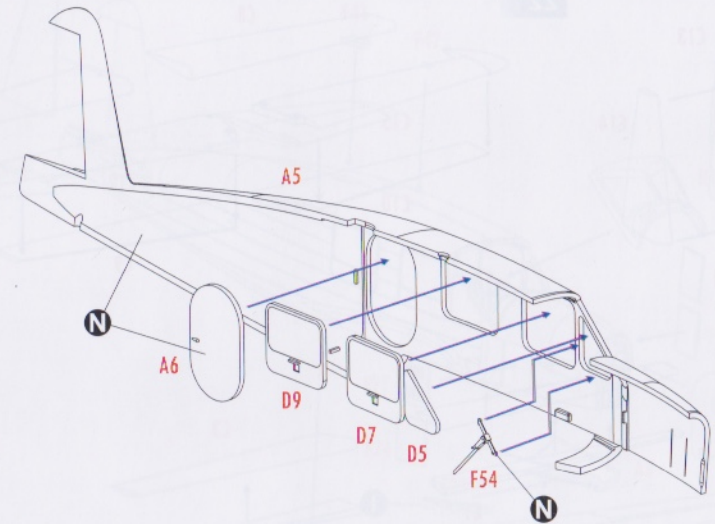
14



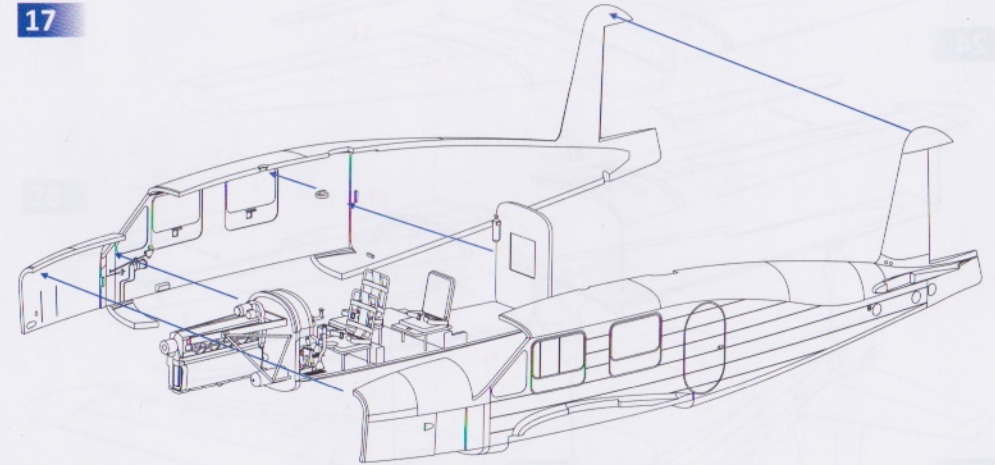
15



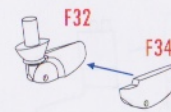
16



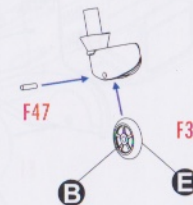
17



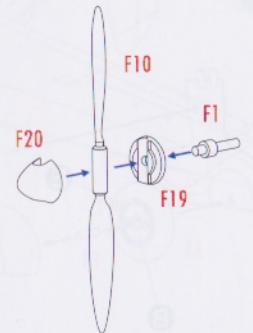
18



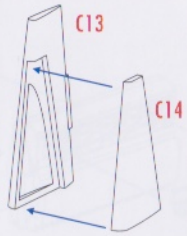
19



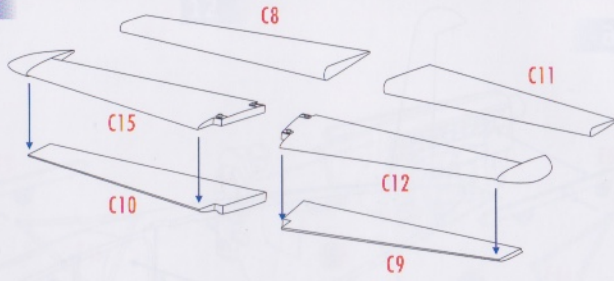
20



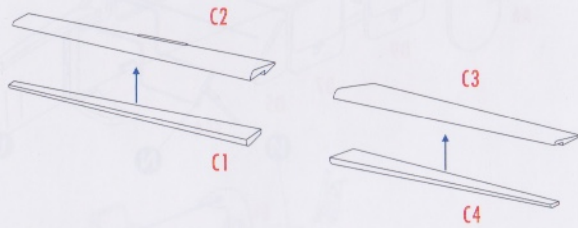
21



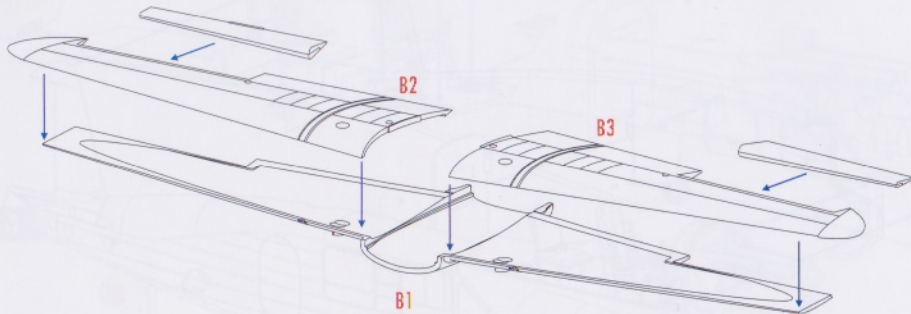
22



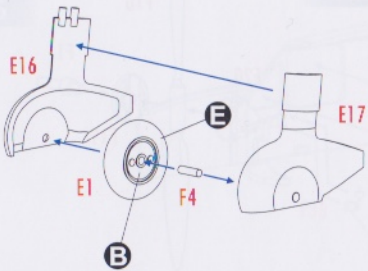
23



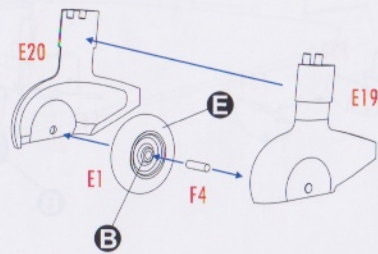
24



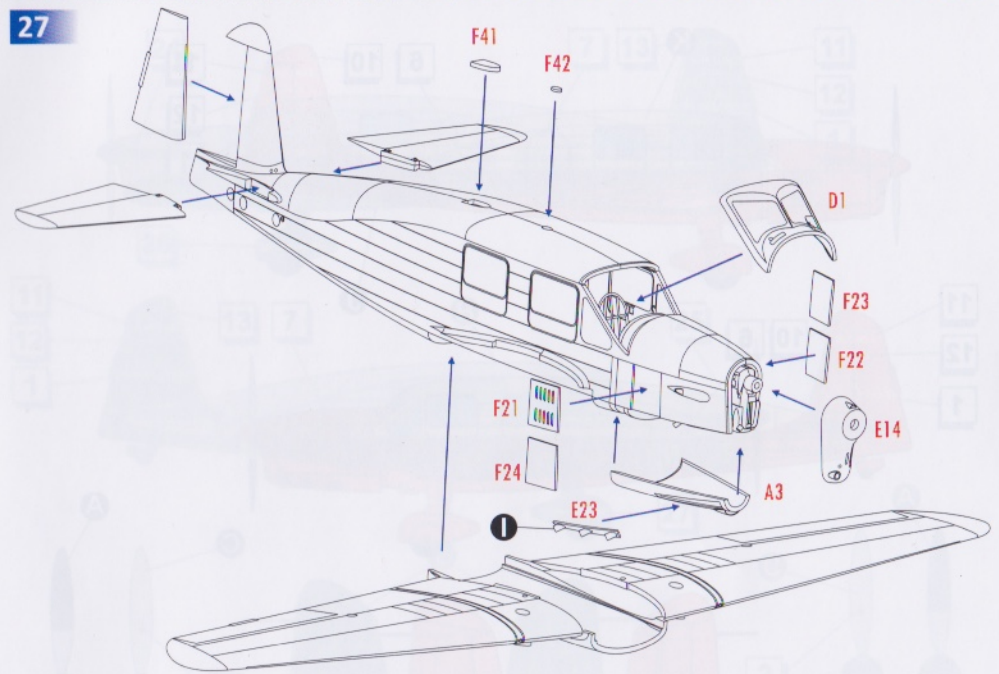
25



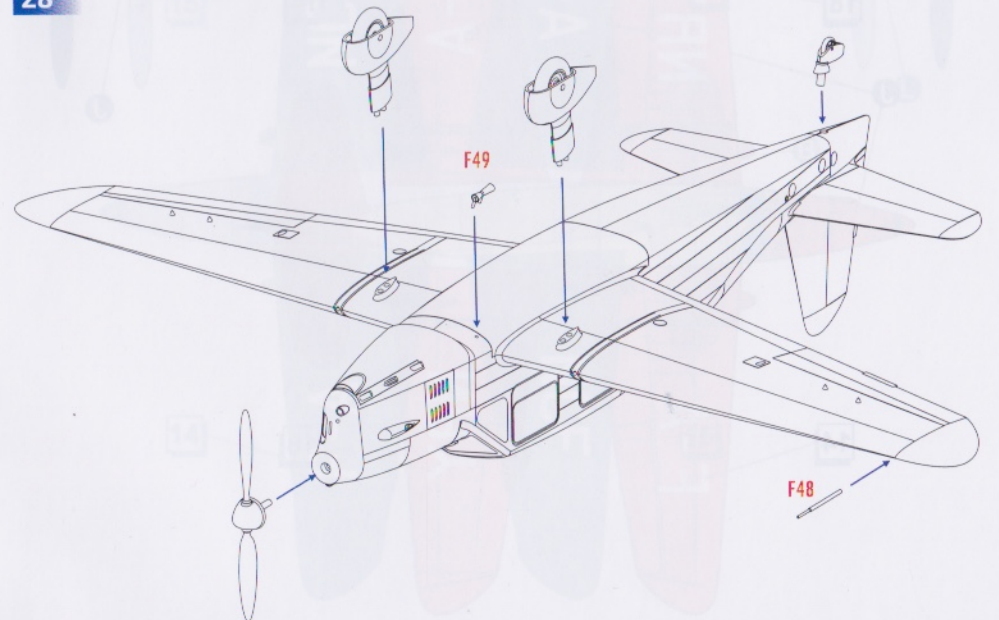
26

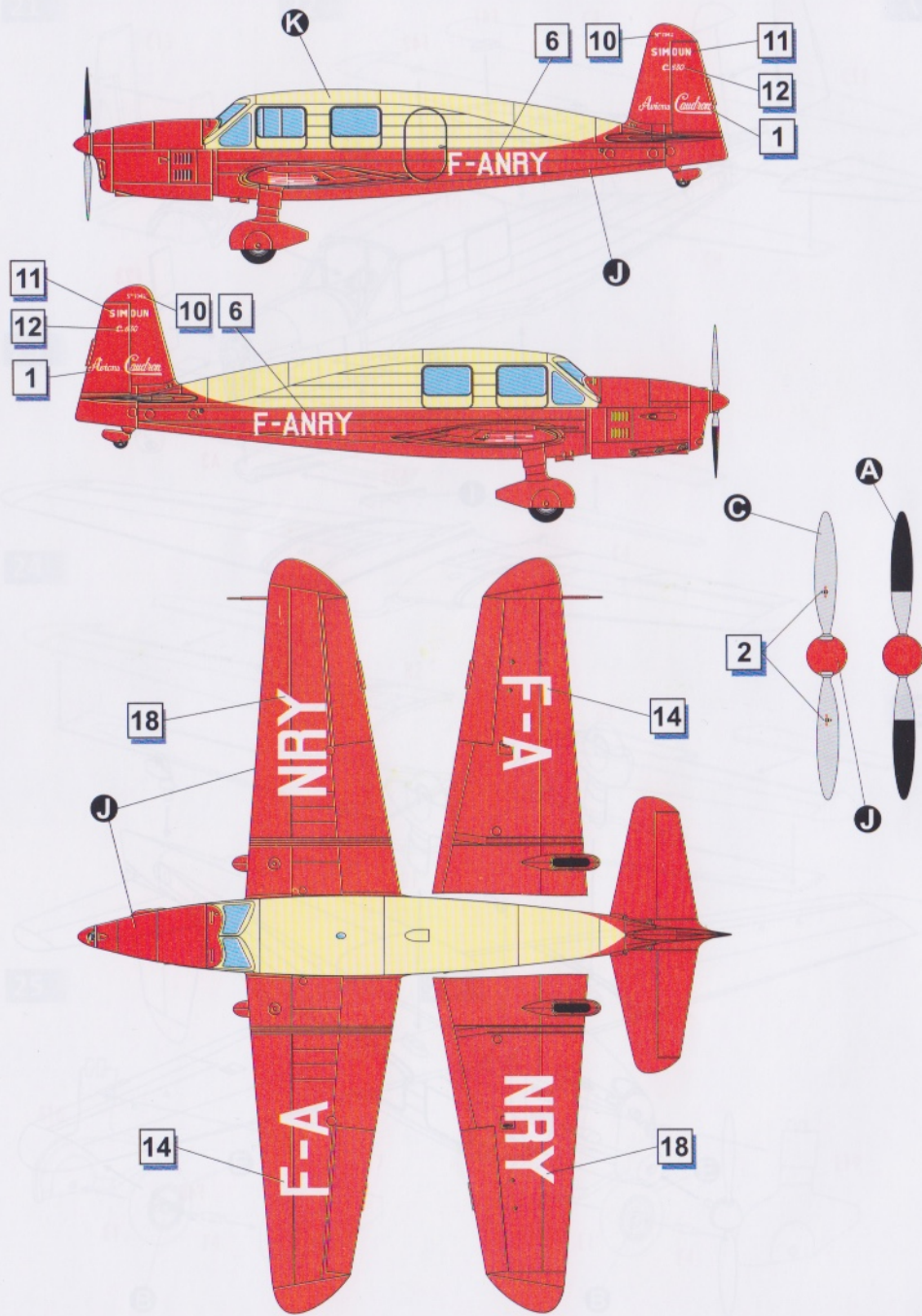


27

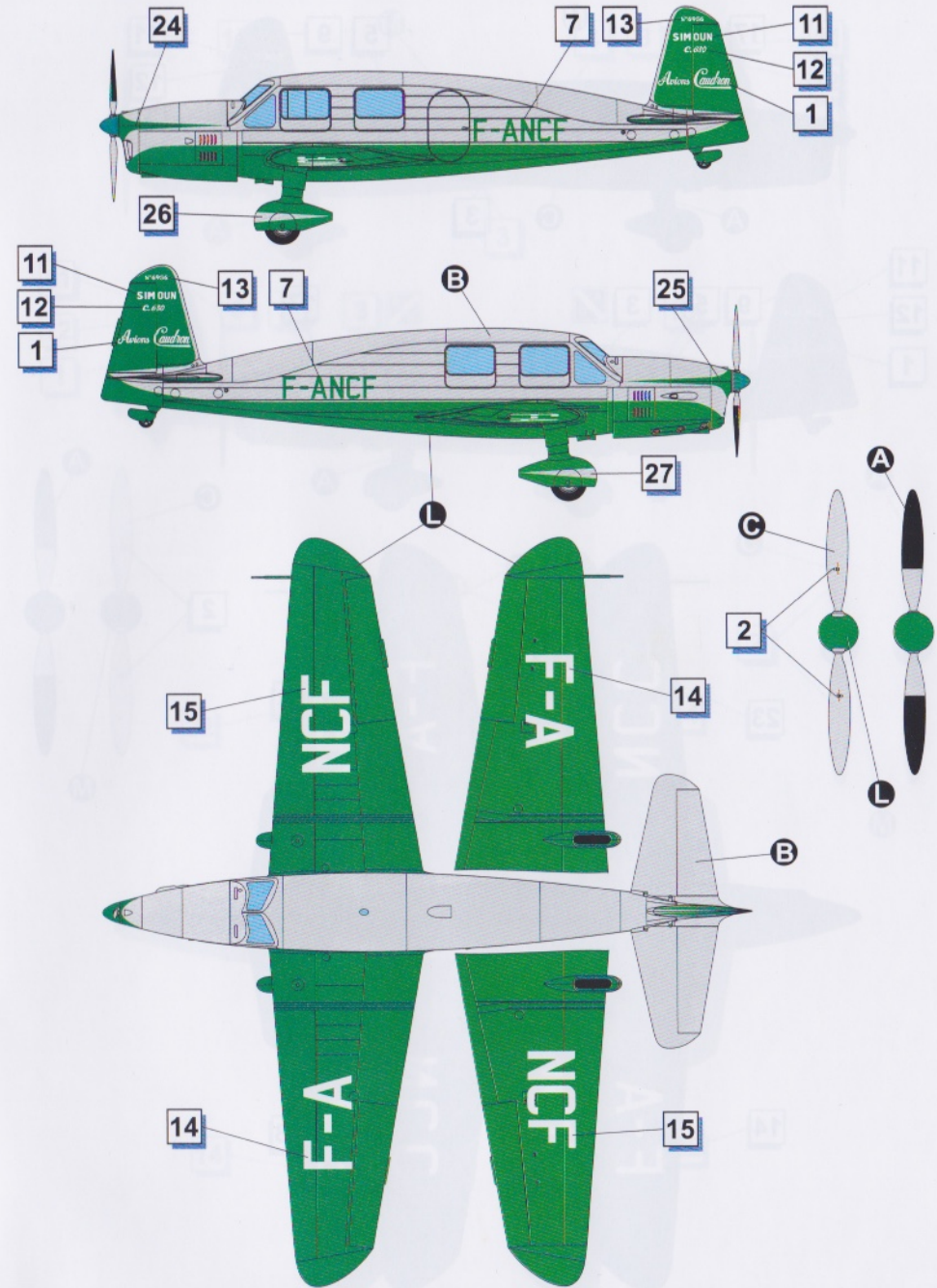


28

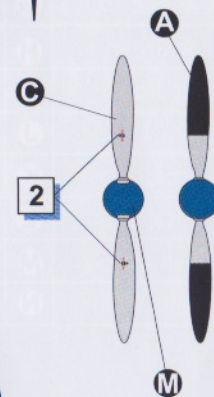
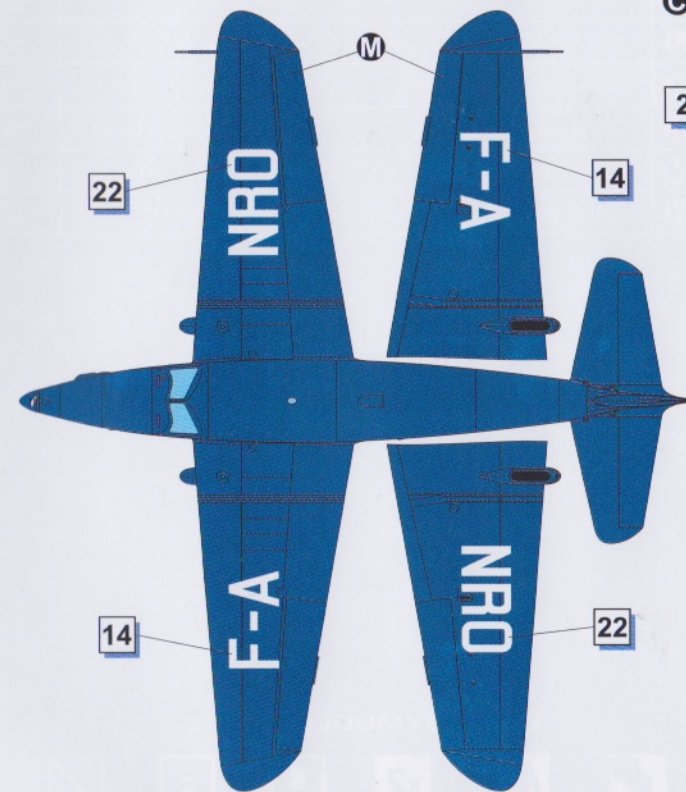
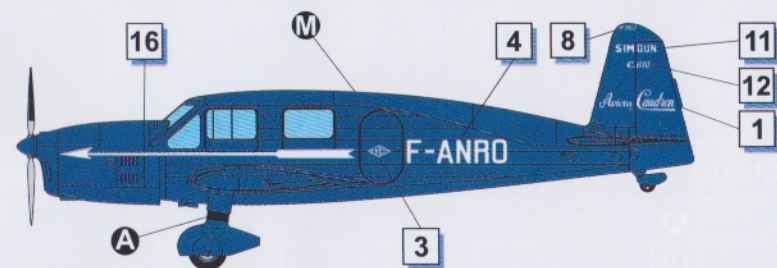
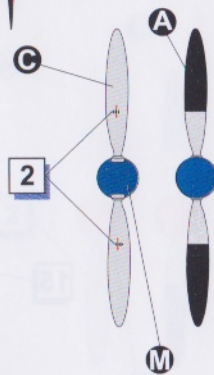
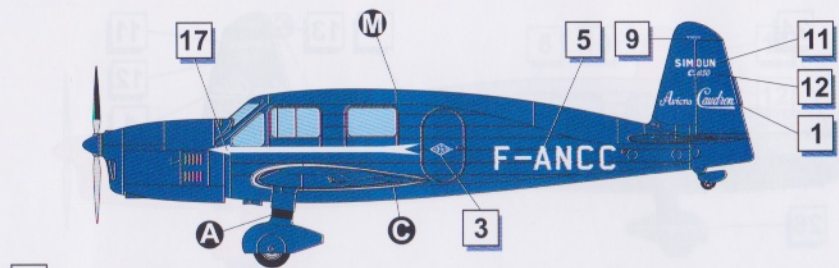




Caudron C.630



Caudron C.630



COLOR TABLE

Color Chart		MR. HOBBY	Tamiya	AMMO MIG	Hataka	LIFECOLOR
Black	A	C33/H12	XF-1	MIG 046	HTK 100	LC 02
Silver	B	C8/H8	X-32	MIG 195	HTK B003	LC 74
Aluminium	C	MC 218	XF-16	MIG 194	HTK 078	LC 24
Gun Metal	D	C78/H28	X-10	MIG 045	HTK 106	LC 26
Rubber Black	E	C137/H77	XF-85	MIG 035		UA 733
Tan	F	C44/H27	XF-55	MIG 202	HTK 187	LC 15
Clear Red	G	C47/H90	XF-27	MIG 093		
Clear Green	H	C138/H94	XF-25	MIG 092		
Burnt Iron	I	C61/H76	XF-25	MIG 187		LC 37
Red	J	C327/H327	XF-2	MIG 049	HTK-103	LC 56
Sail color	K	C45/H85		MIG-0011		
Bright green	L	C66/H26		MIG-0054	HTK-221	UA 055
French blue	M	C326/H326	X-3	MIG-0062	HTK-283	LC 35
Bleu Nuit Interieur	N	C366/H56	XF-18	MIG 228	HTK 027	UA 45

USED SYMBOLS



CEMENT



DON'T CEMENT



REMOVE



SYMMETRICAL



MULTIPLE



BEND



OPEN WHOLE



VARIANTS



TO PAINT