

Panther G

德国“黑豹”G型20mm防空坦克

20mm Flakvierling auf Fahrgestell



1/72 SCALE
Item No. VS720012

Meaning of icons



FILL HOLE
填平孔洞



OPEN HOLE
钻出孔洞



OPTIONAL
可选择使用



2 SETS NEEDED
同样的制作二组



REMOVE
切除



HEAT THE IRON
加热烫平



BE CAREFUL
小心注意



APPLY DECAL
贴水上贴



REMOVE
磨掉



DO NOT CEMENT
不用粘接



INSTANT GLUE
速干胶
瞬间接着剂

CAUTION:

1. When you use glue or paint do not use near a open flame and sue in a well-ventilated room.
2. Cut the parts off properly and throw waste parts into dustbox at once.
3. Keep all parts out of small children. Children must not to be allowed to put any parts in their mouths, or pull plastic bags over their head.
4. Do not play with the parts for any other purpose, as some parts may be to sharp. More caution and care needed for families with infants.

注意:

1. 當組裝模型時應遠離火種及在空氣流通的房間內進行。
2. 廢置膠料應掉棄在環保回收的垃圾箱內。
3. 由於模型套件有許多細小零件，請勿讓小孩接觸以免產生誤吞之危險。也別讓小孩把包裝膠件之透明塑料袋套在頭上，這很容易引致窒息。
4. 由於零件有不少尖角部份，請勿把玩及作其他用途，請注意及小心保護你的家人。

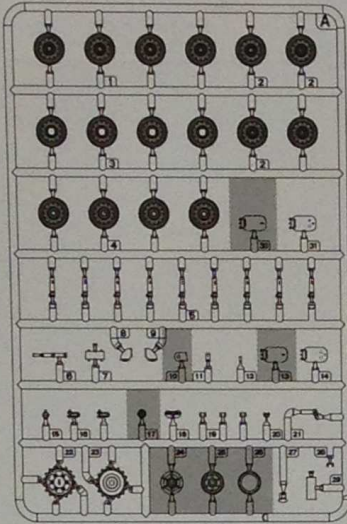
CORRECT METHOD FOR APPLYING DECALS:

1. Clean model surface with wet cloth.
2. Cut out of decal sheet and dip them in cold water for 15 seconds.
3. Place decal on proper position on model.
4. Slide off base paper leaving decals on model with wet finger tip.
5. Adjust decals to exact position, push out excess water under decal with soft cotton cloth.

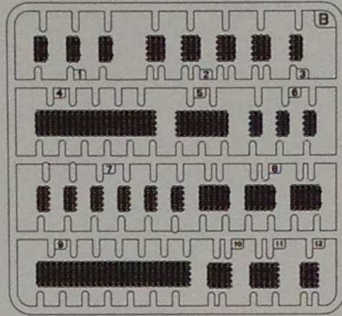
正確貼上水貼紙的方法:

1. 將模型表面擦幹淨。
2. 將貼紙剪下泡入清水中約15秒。
3. 將泡濕之貼紙取出置放欲貼處旁。
4. 用指尖輕推貼紙表面使其滑出底紙。
5. 將貼紙調整至適當位置并輕擦拭水份。

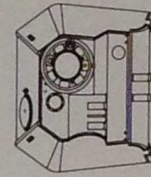
Ax2



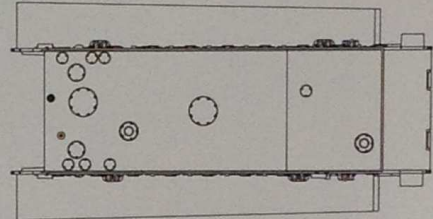
Bx2



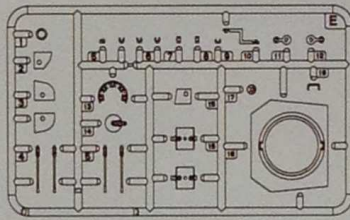
Turret x1



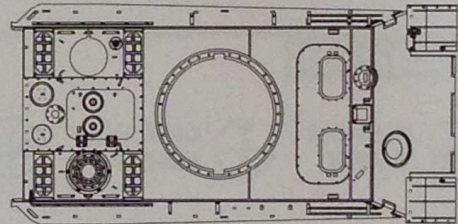
Lower hull x1



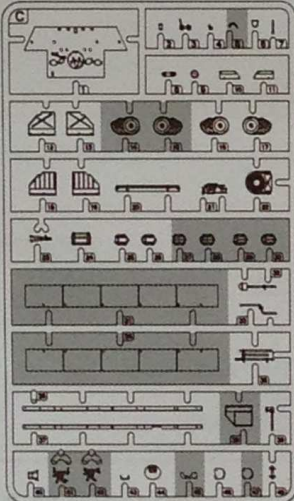
E x1



Upper hull 1 x1



Cx1



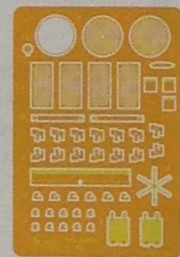
Metal barrel
金屬炮管 x4



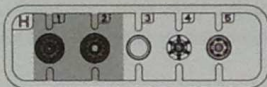
Decal x1



Pa x1



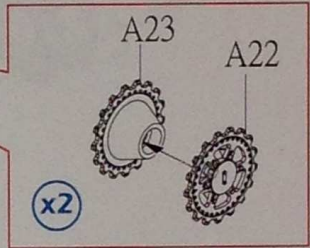
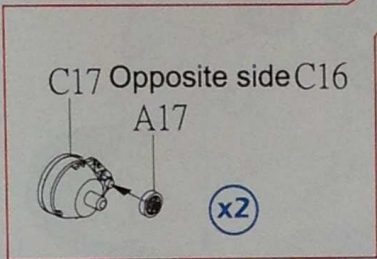
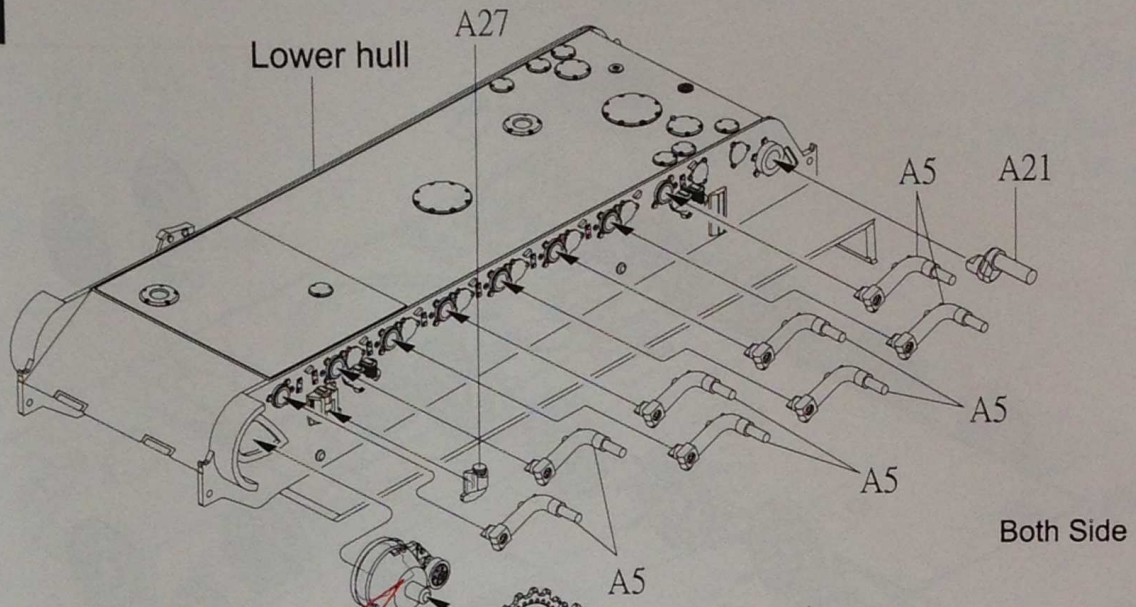
Hx2



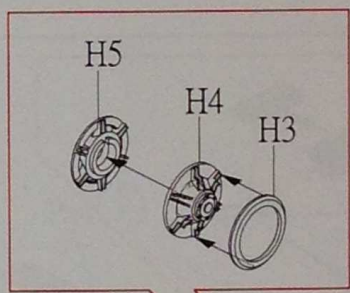
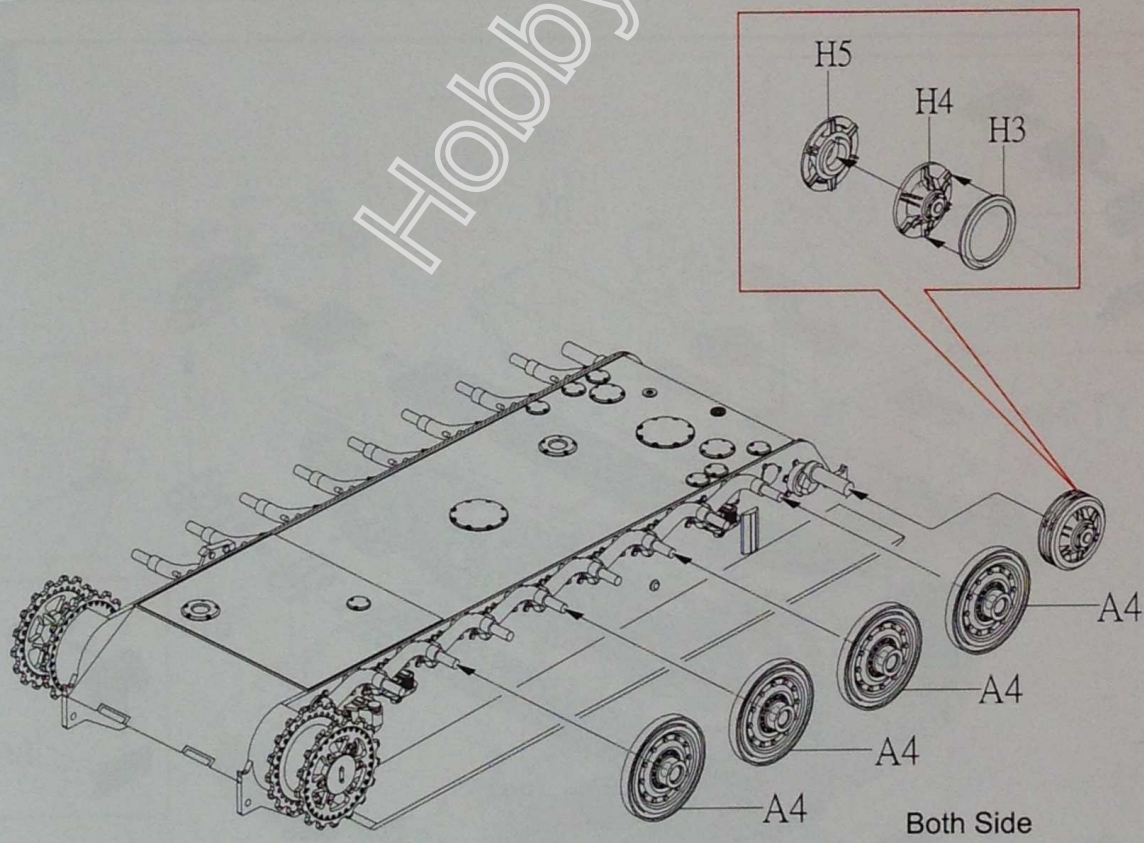
Not for use part(不使用的部件)

Colour	MR.Hobby	Hobby Color	Humbrol	Tamiya
A Dark Yellow	H-79	C-39	84	XF-60
B Red Brown	H-47	C-41	62	XF-64
C Dark Green	/	C-70	88	XF-89
D Steel	H-18	C-28	53	X-10

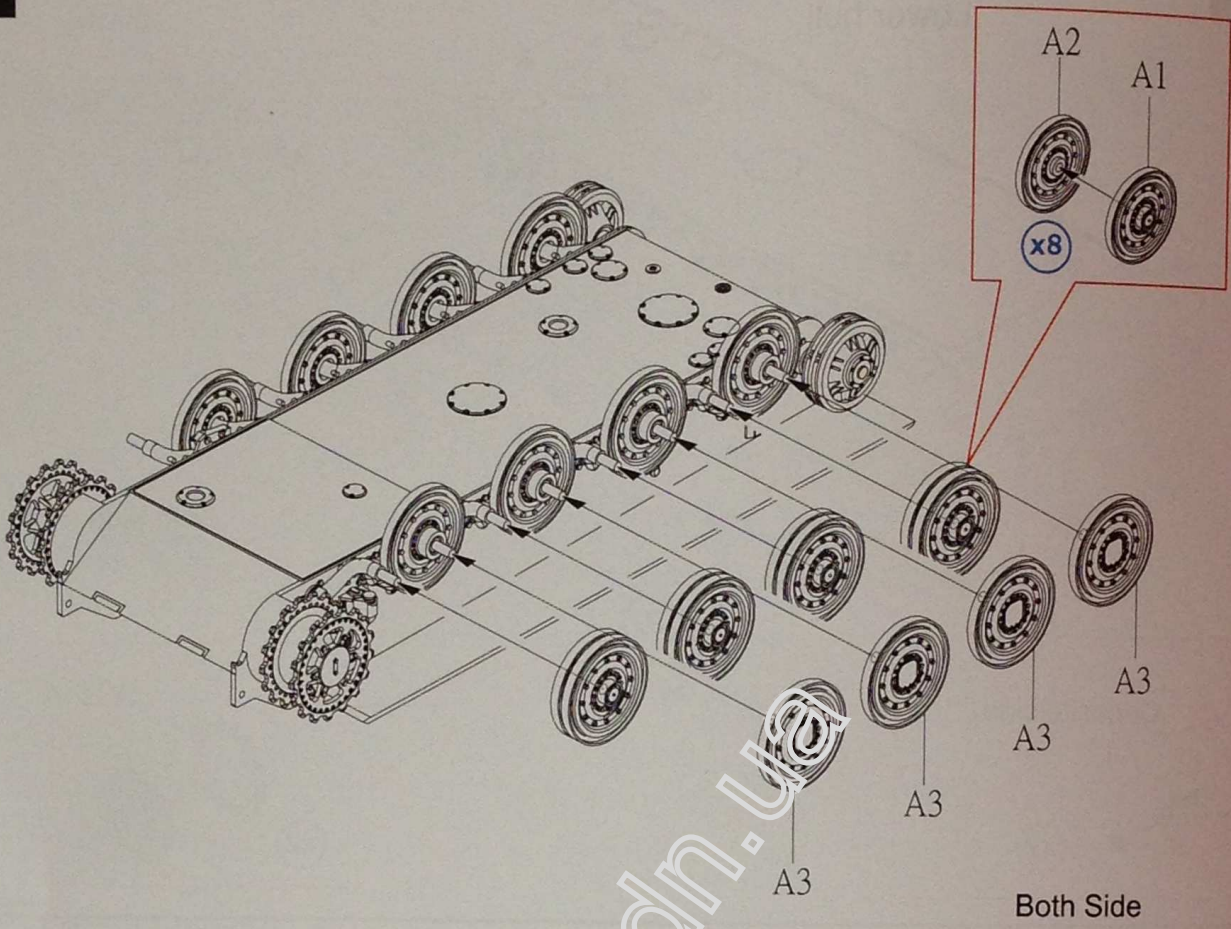
1



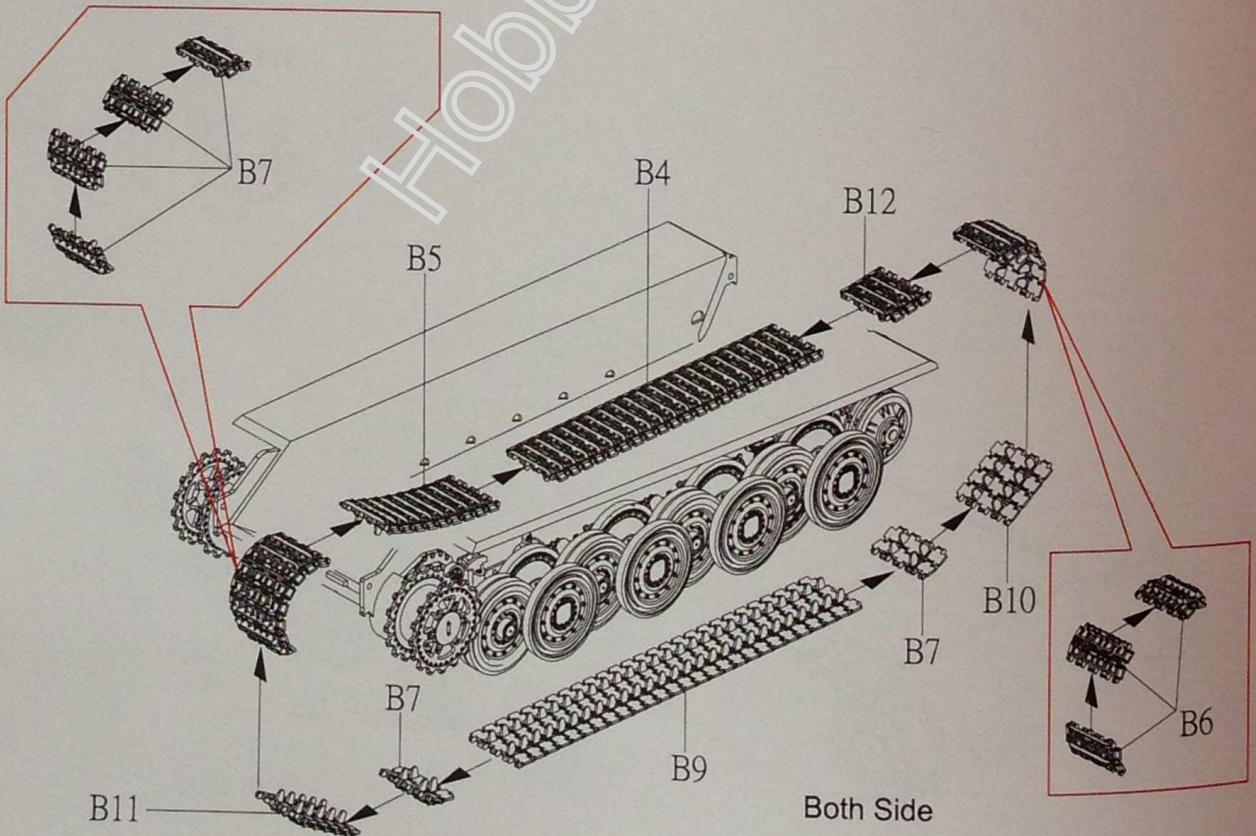
2



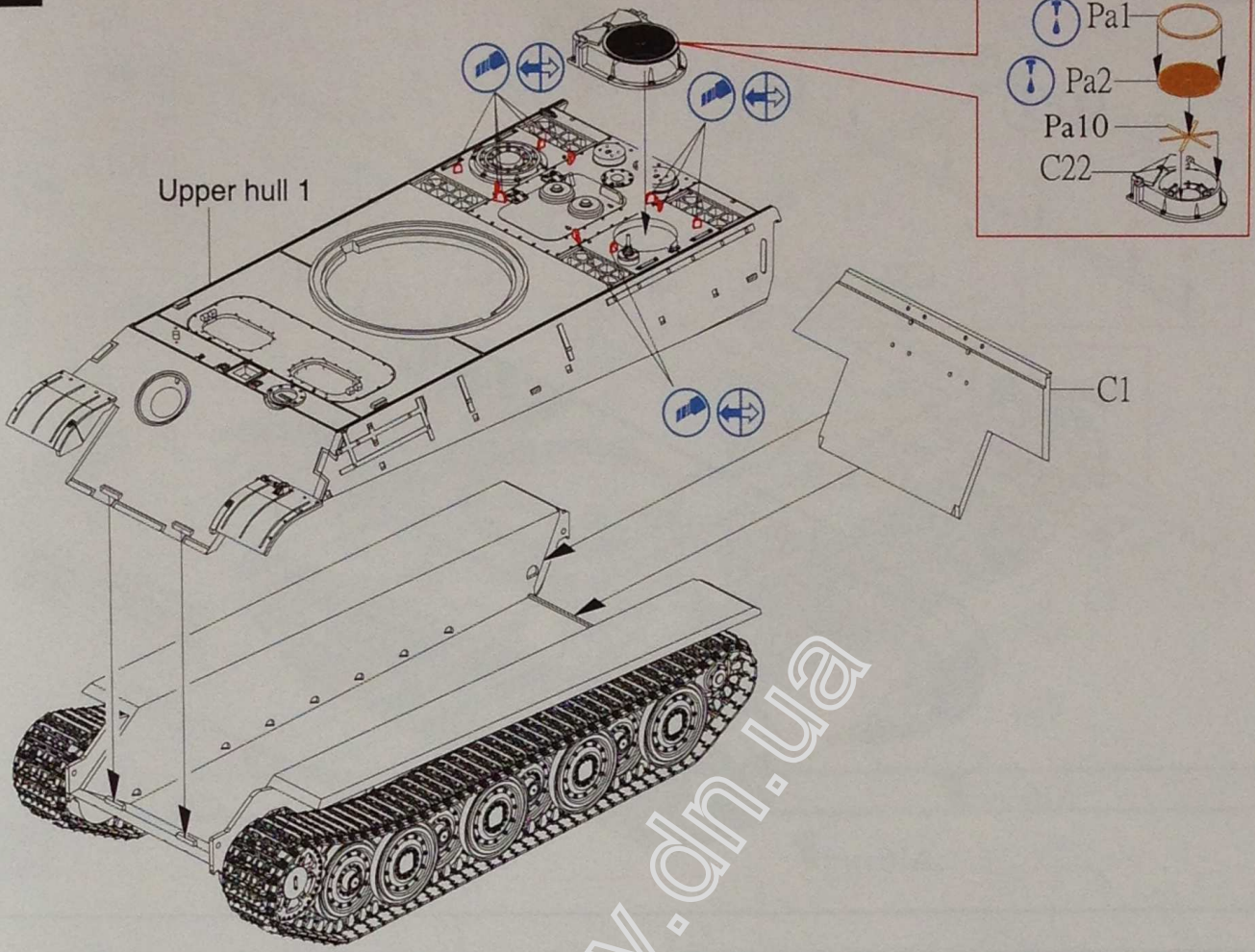
3



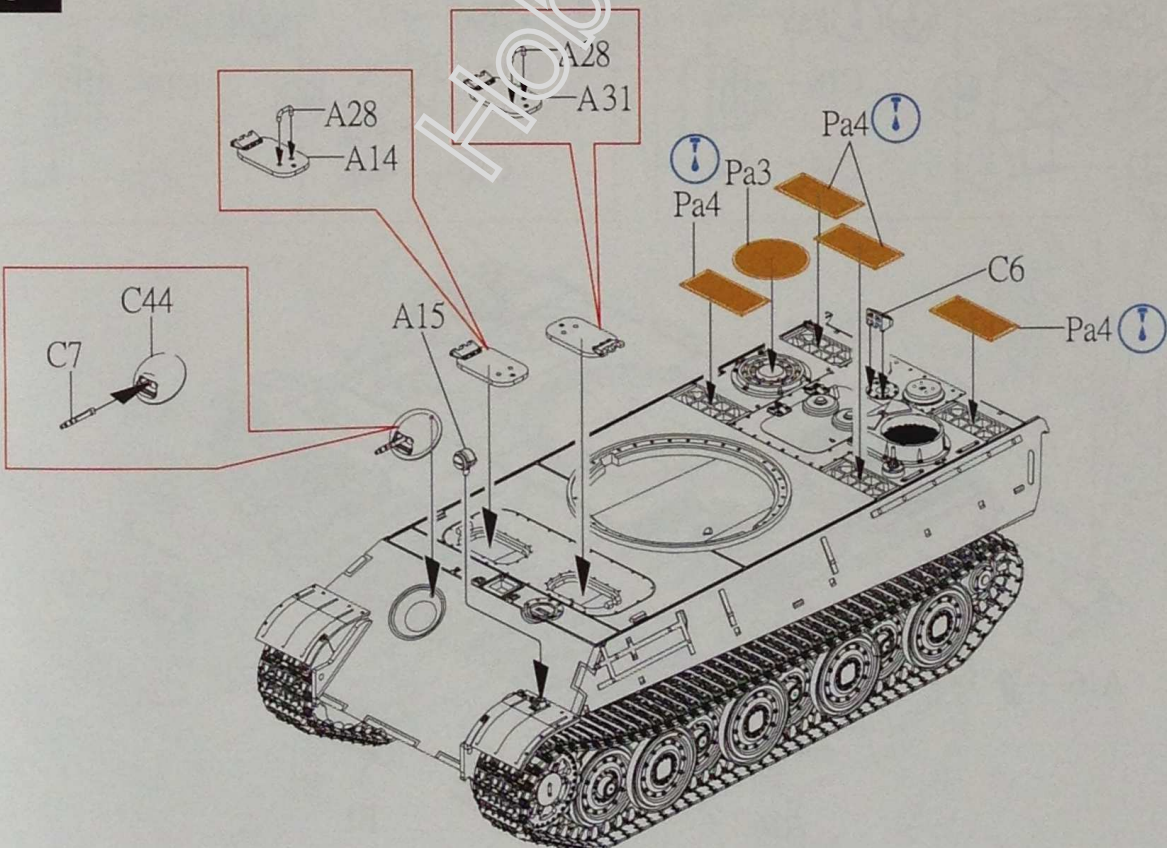
4



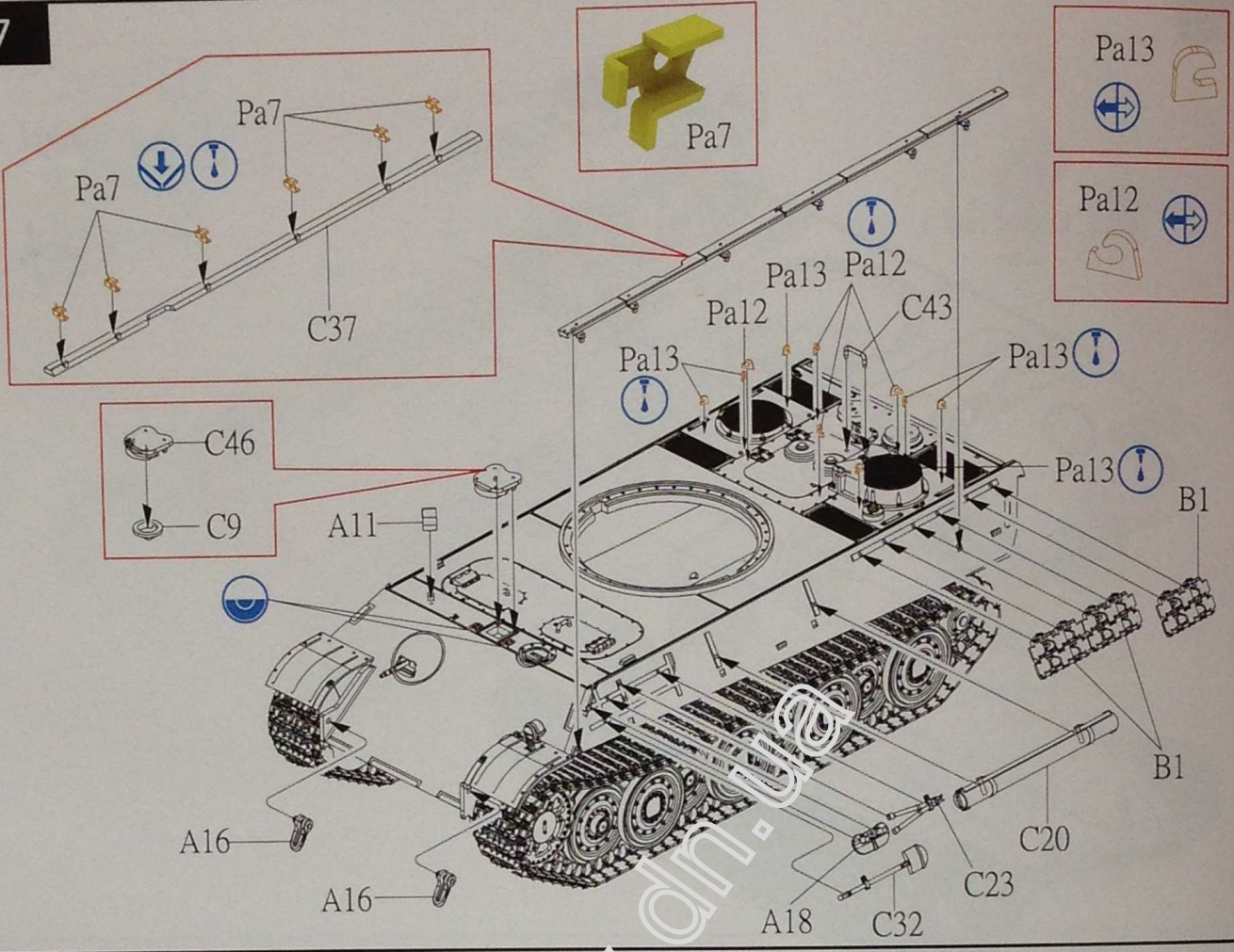
5



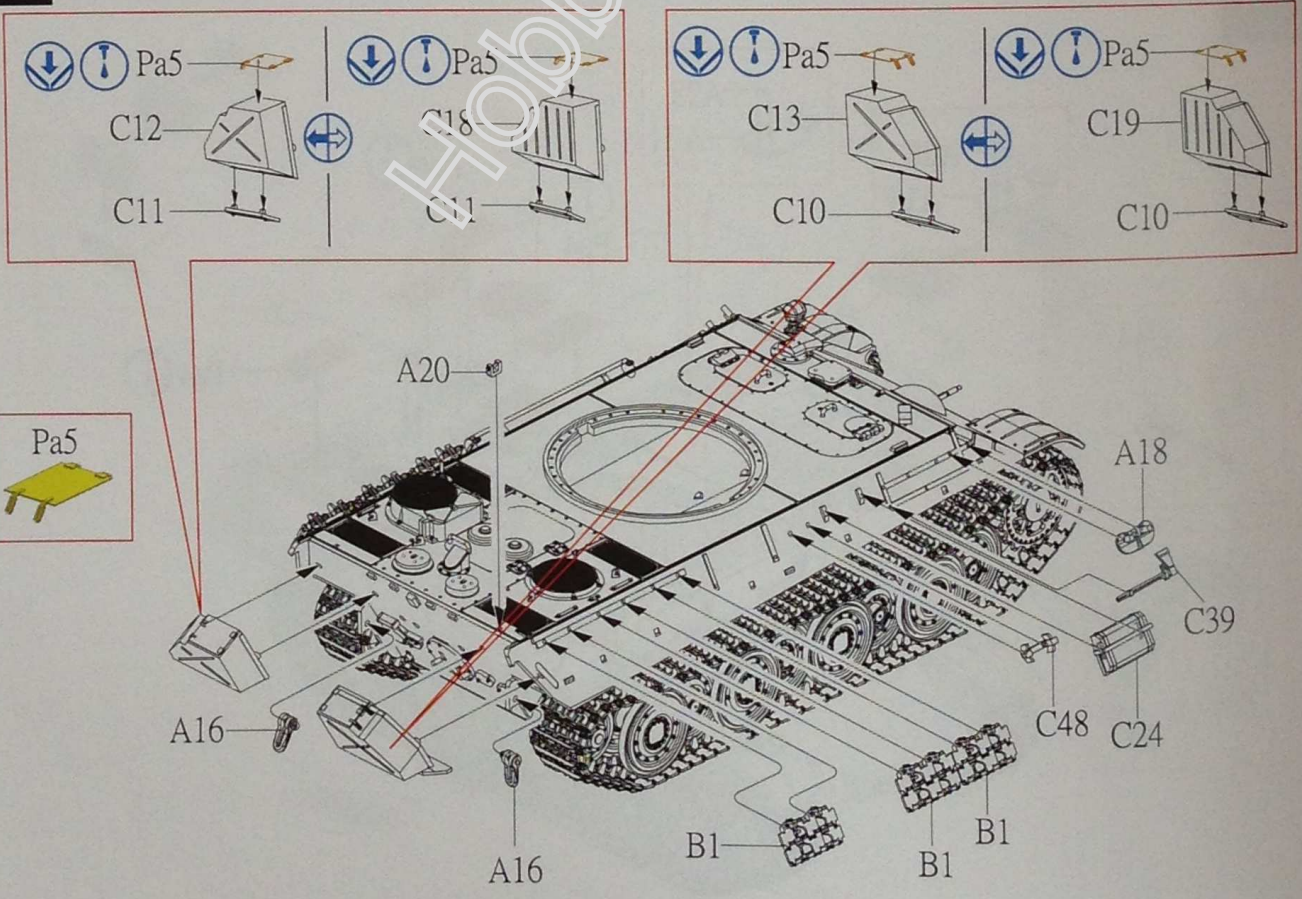
6



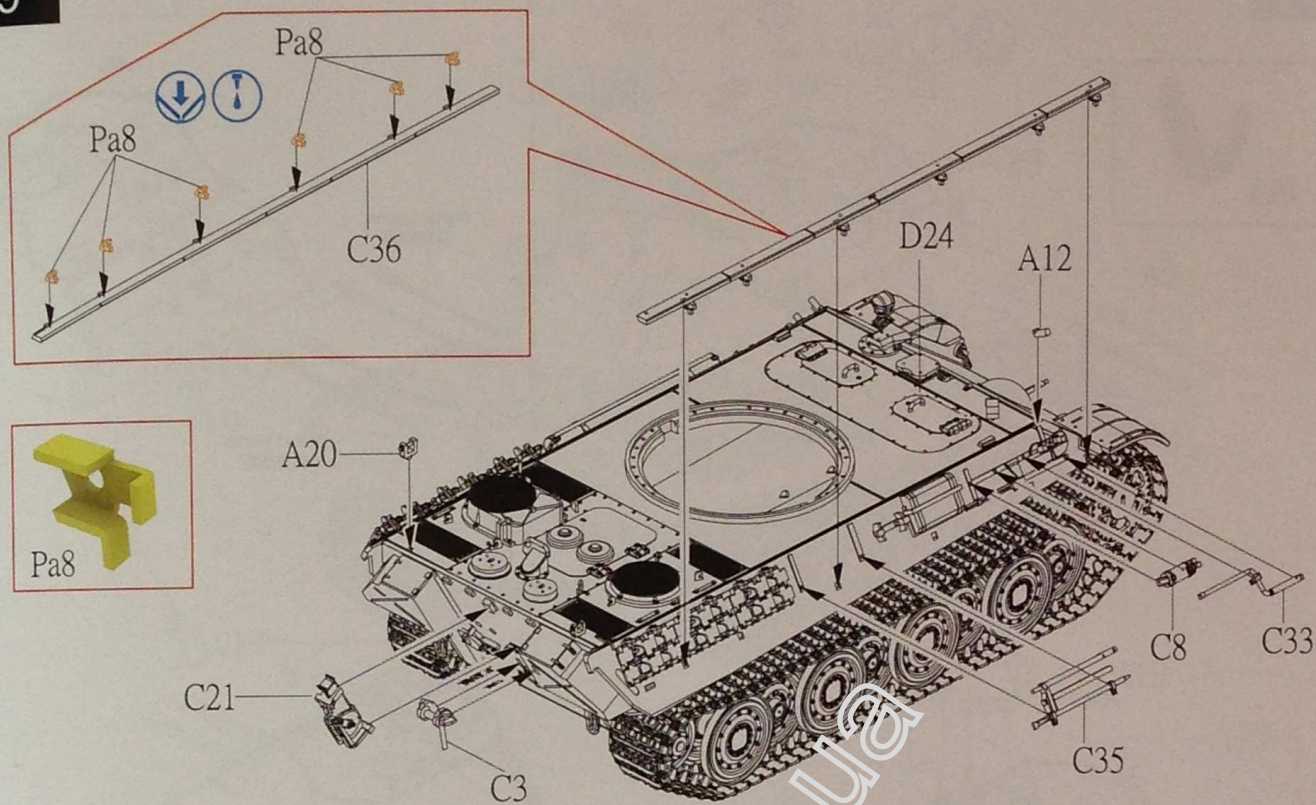
7



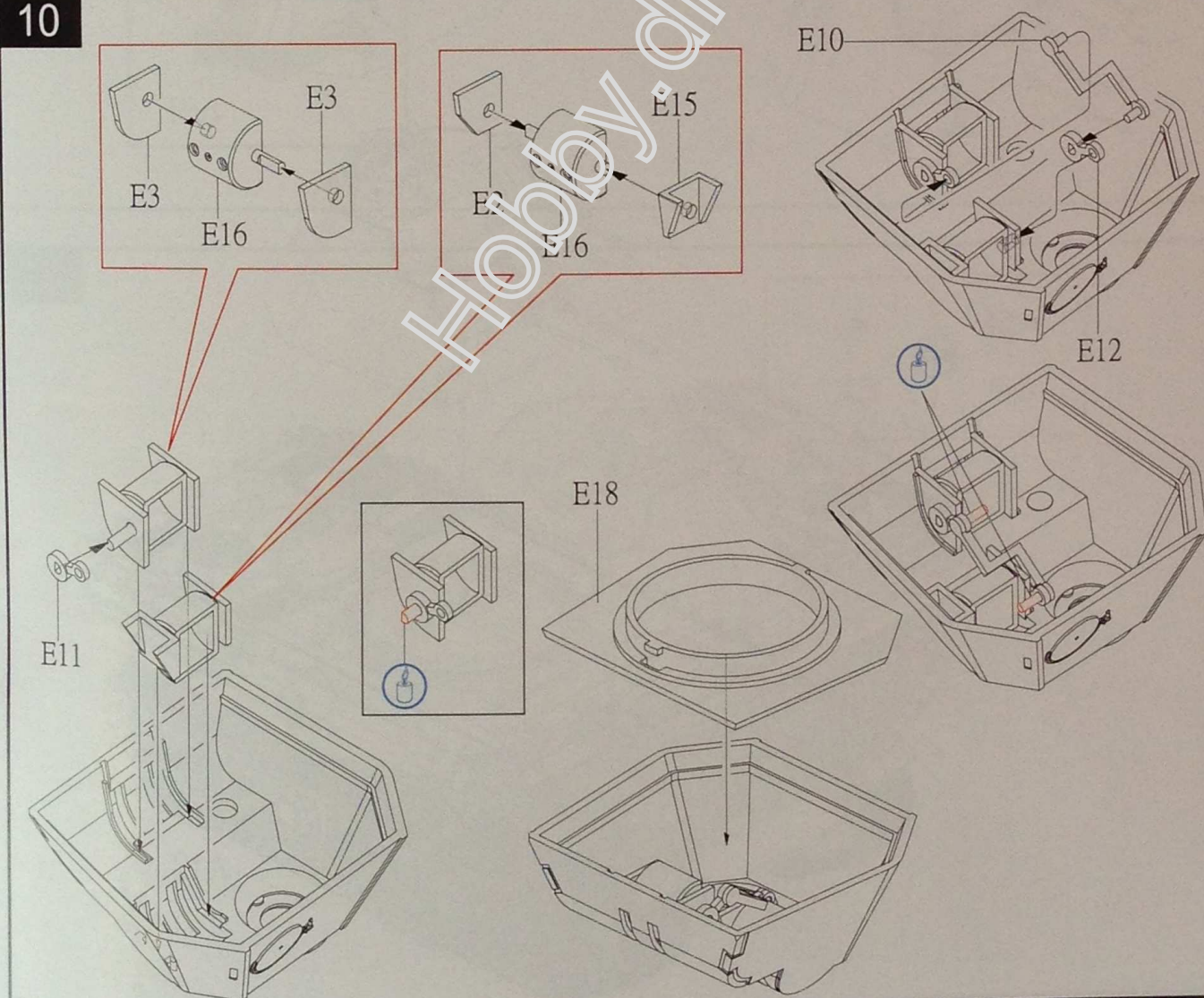
8

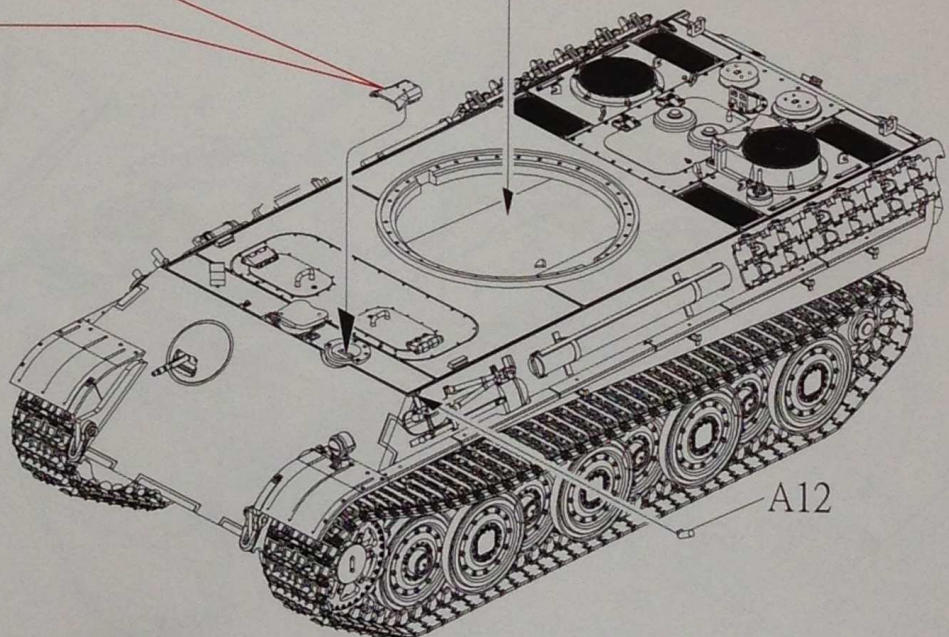
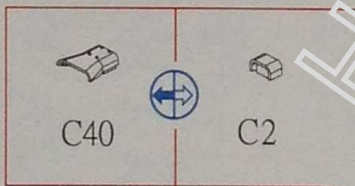
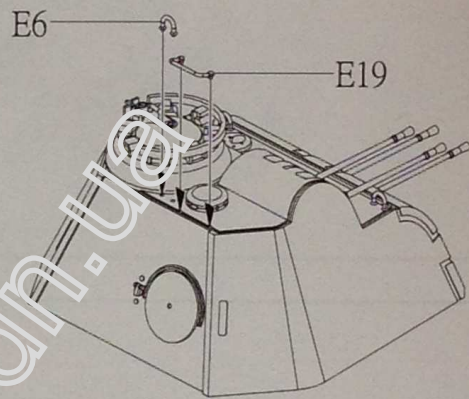
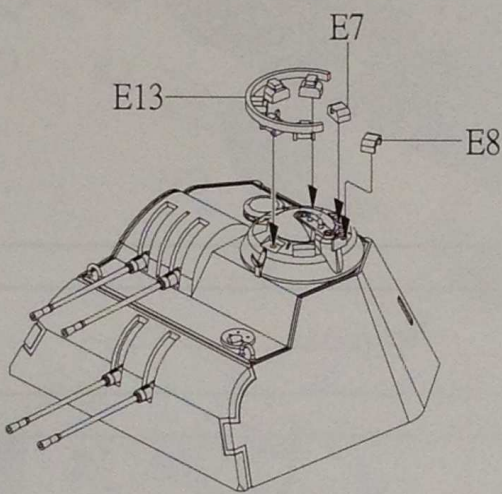
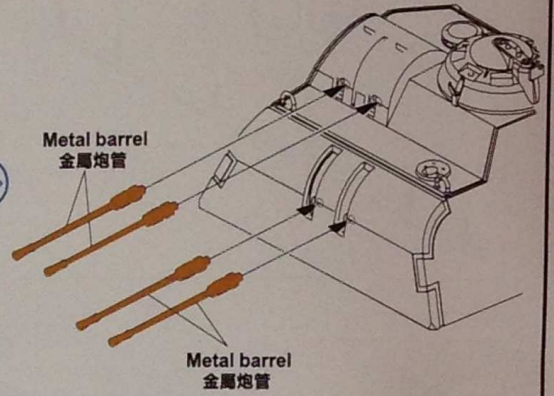
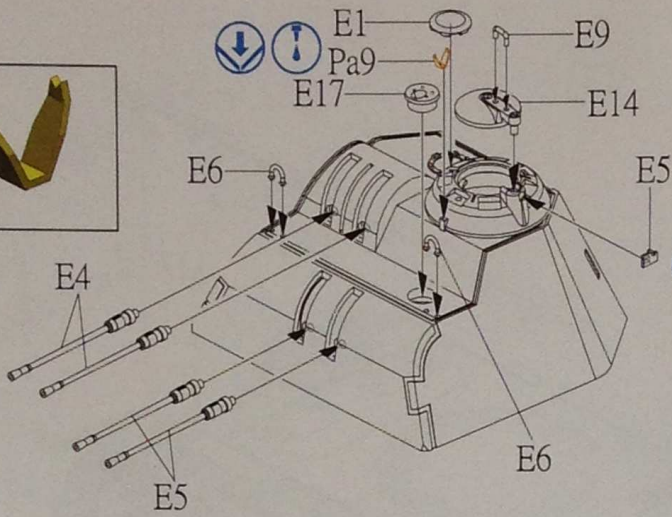
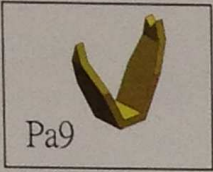


9

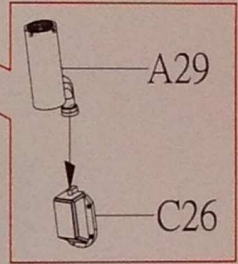
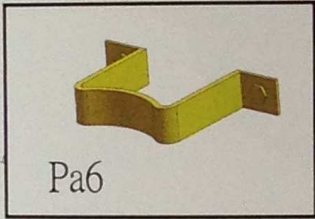
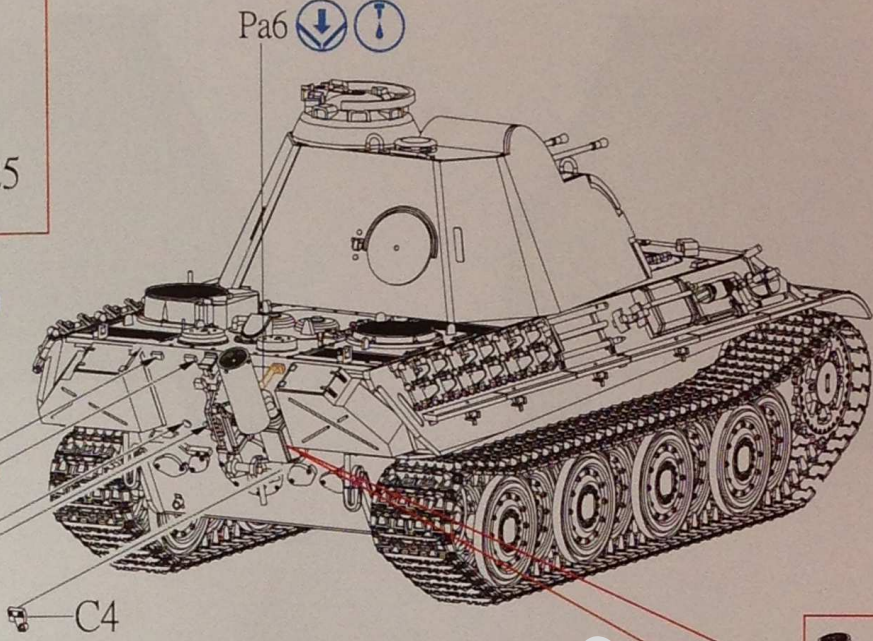
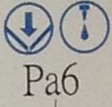
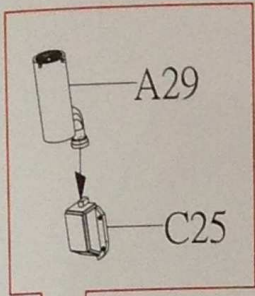


10

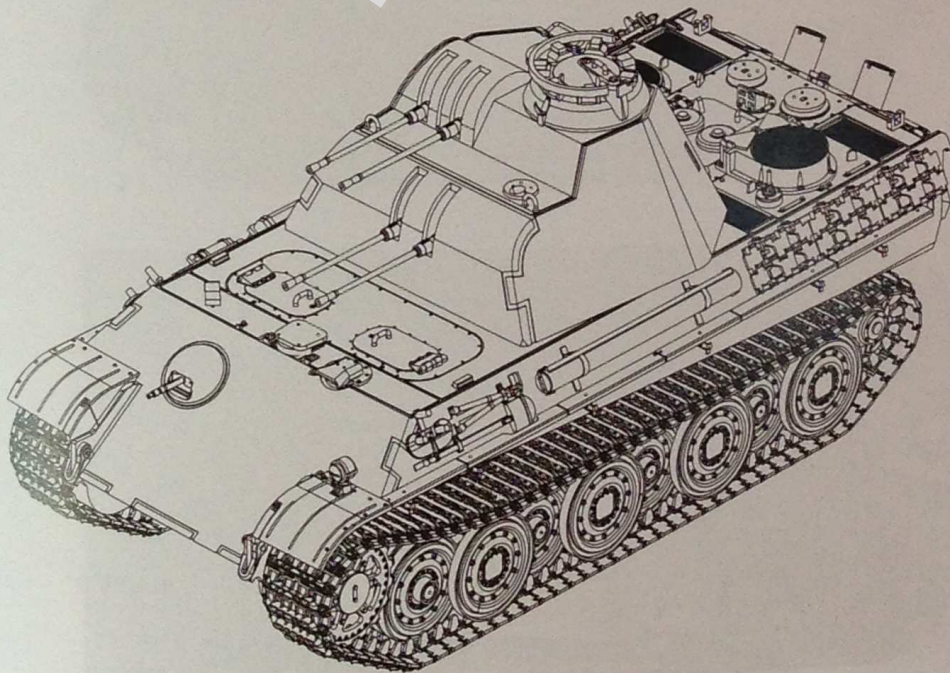




12

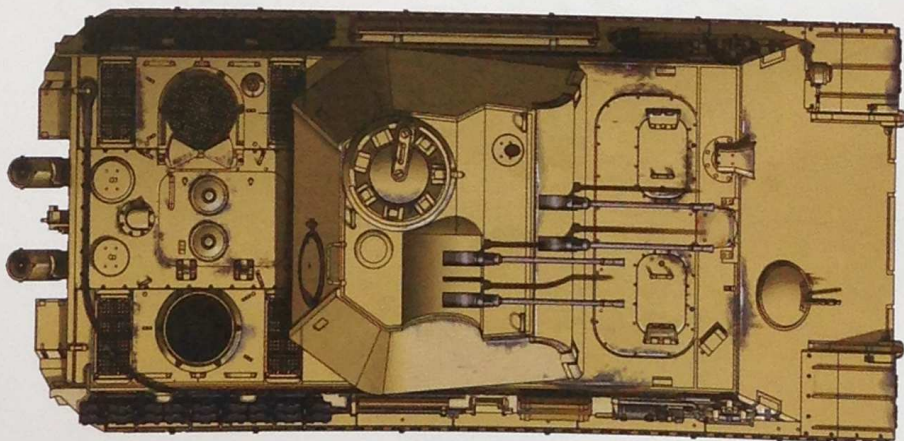
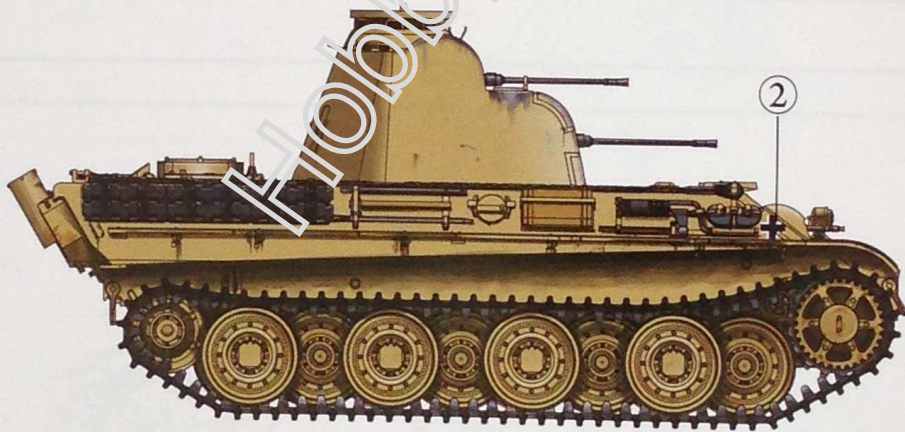
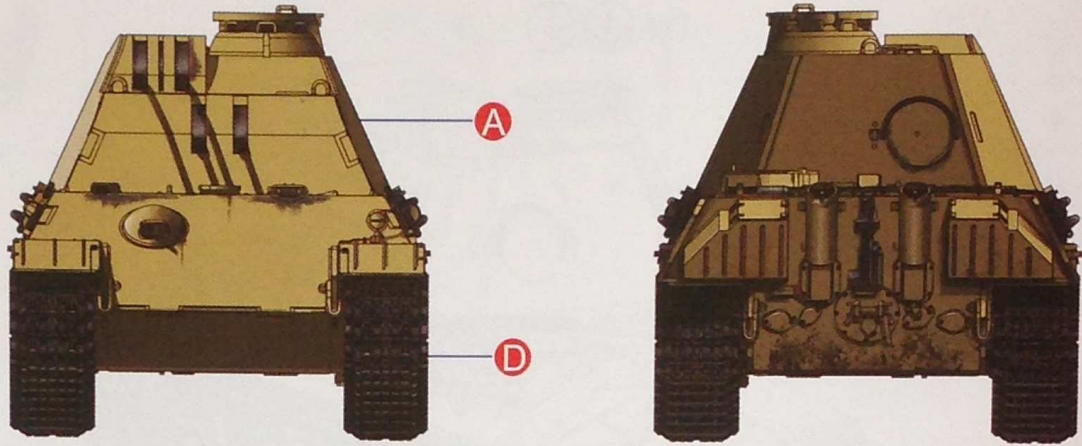


13

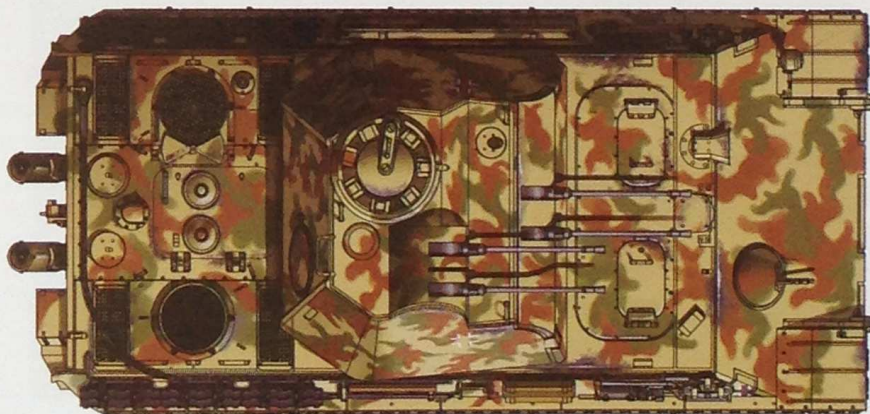
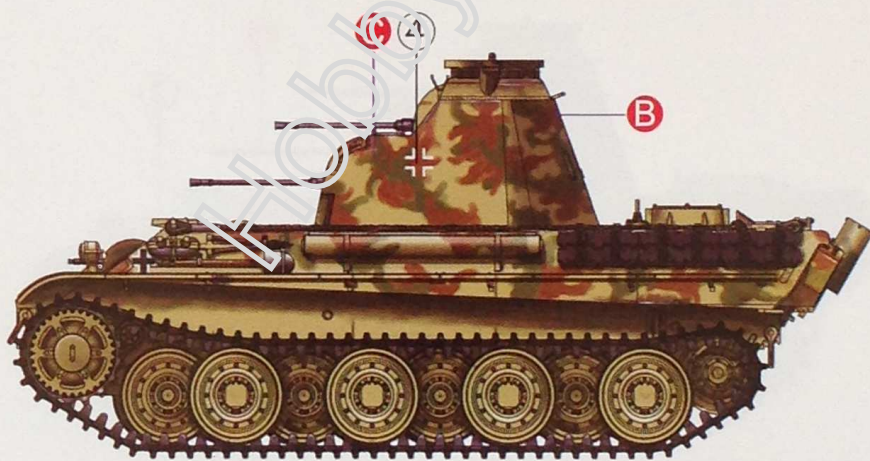
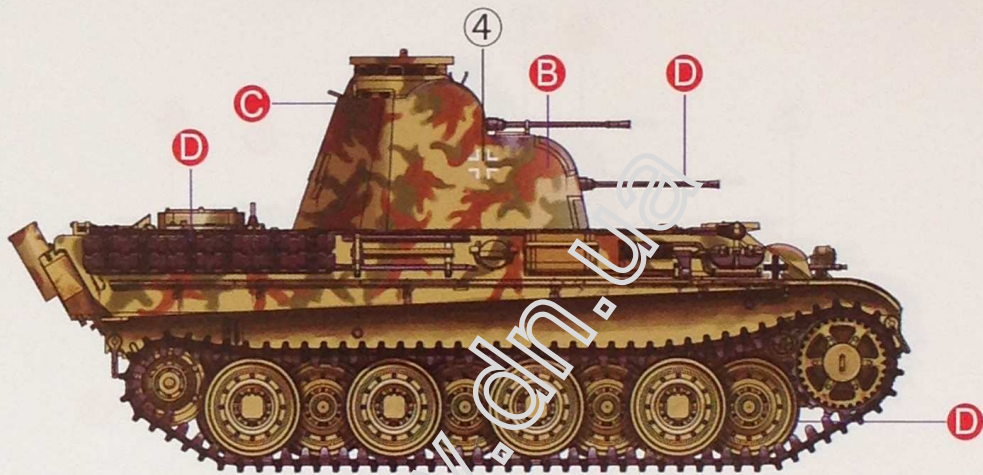
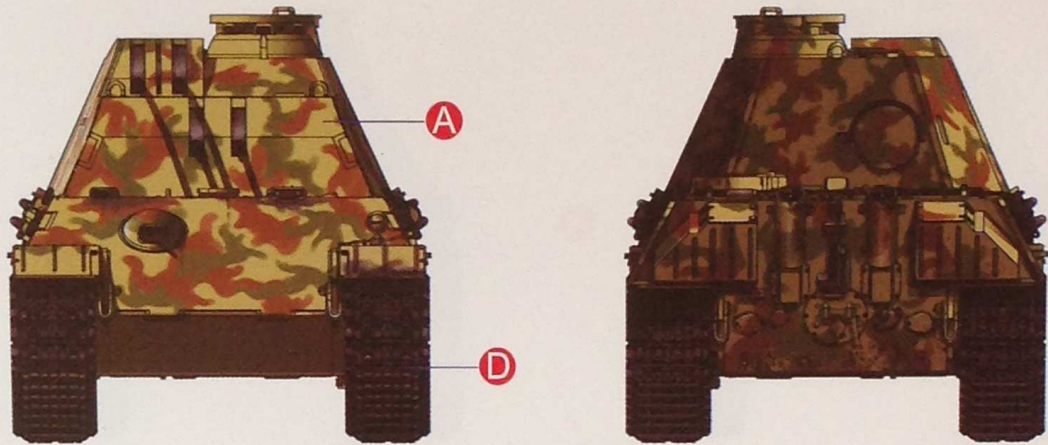


Hobby.dn.ua

Paint Option 1:



Paint Option 2:



Paint Option 3:

