

eduard

LIMITED



Hind F

1/48

INSTRUCTION SHEET

11163-NAV1

ATTENTION



UPOZORNĚNÍ



ACHTUNG



ATTENTION



注意



Carefully read instruction sheet before assembling. When you use glue or paint, do not use near open flame and use in well ventilated room. Keep out of reach of small children. Children must not be allowed to suck any part, or pull vinyl bag over the head.



Před započatím stavby si pečlivě prostudujte stavební návod. Při používání barev a lepidel pracujte v dobře větrané místnosti. Lepidla ani barvy nepoužívejte v blízkosti otevřeného ohně. Model není určen malým dětem, mohlo by dojít k požití drobných dílů.

INSTRUCTION SIGNS * INSTR. SYMBOLS * INSTRUKTION SINNBILDEN * SYMBOLES * 記号の説明

OPTIONAL
VOLBABEND
OHNOUTSAND
BROUSITOPEN HOLE
VYVRTAT OTVORSYMETRICAL ASSEMBLY
SYMETRICKÁ MONTÁŽREMOVE
ODRÍZNOUTREVERSE SIDE
OTOČITAPPLY EDUARD MASK
AND PAINT
POUŽIT EDUARD MASK
NABARVIT

PARTS



DÍLY



TEILE

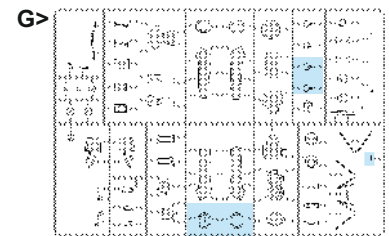
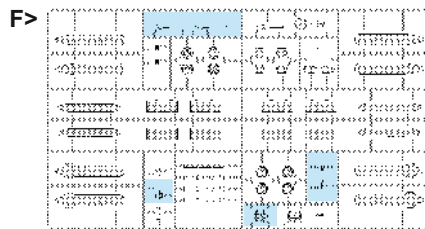
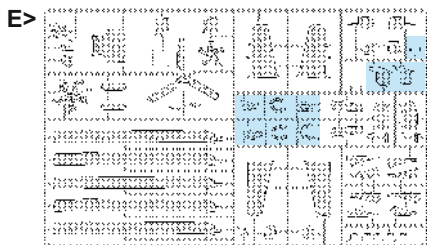
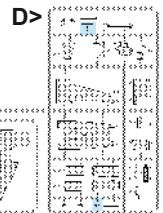
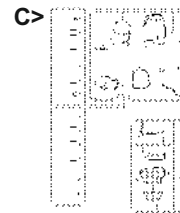
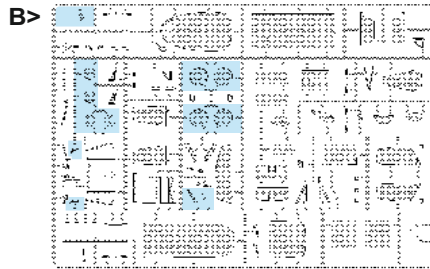
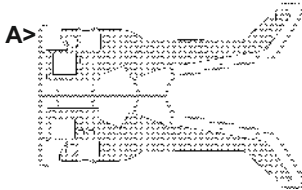
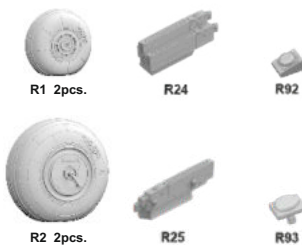


PIÈCES

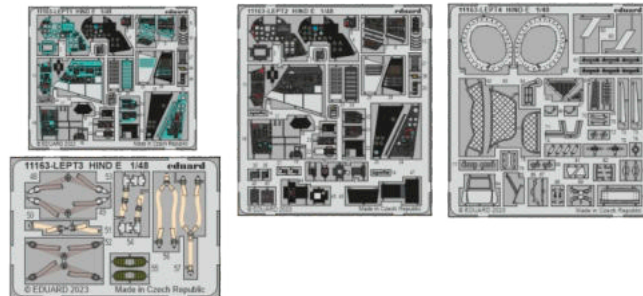


部品

PLASTIC PARTS

eduard
BRASSIN RP - RESIN PARTS

PE - PHOTO ETCHED DETAIL PARTS



FILM



-Parts not for use. -Teile werden nicht verwendet. -Pièces à ne pas utiliser. -Tyto díly nepoužívejte při stavbě. - 使用しない部品

COLOURS



BARVY



FARBEN



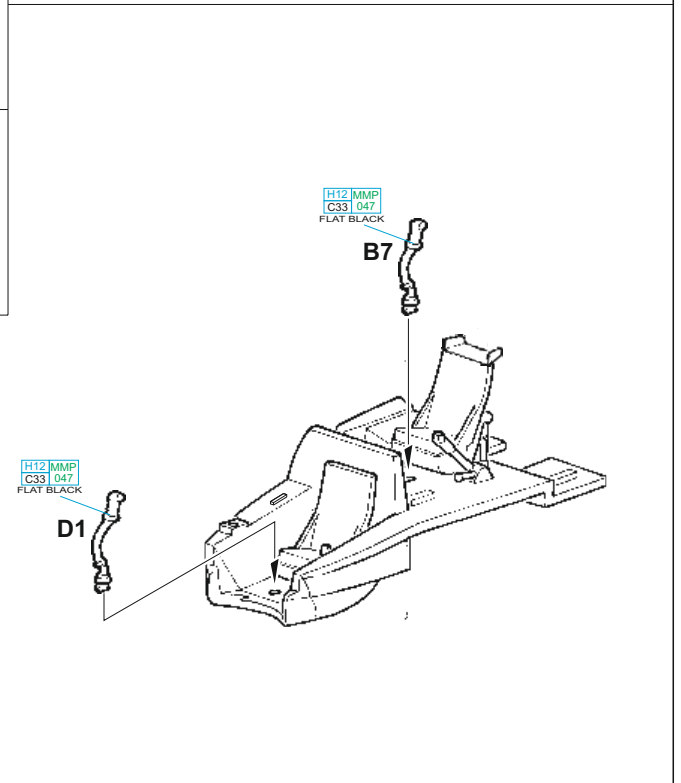
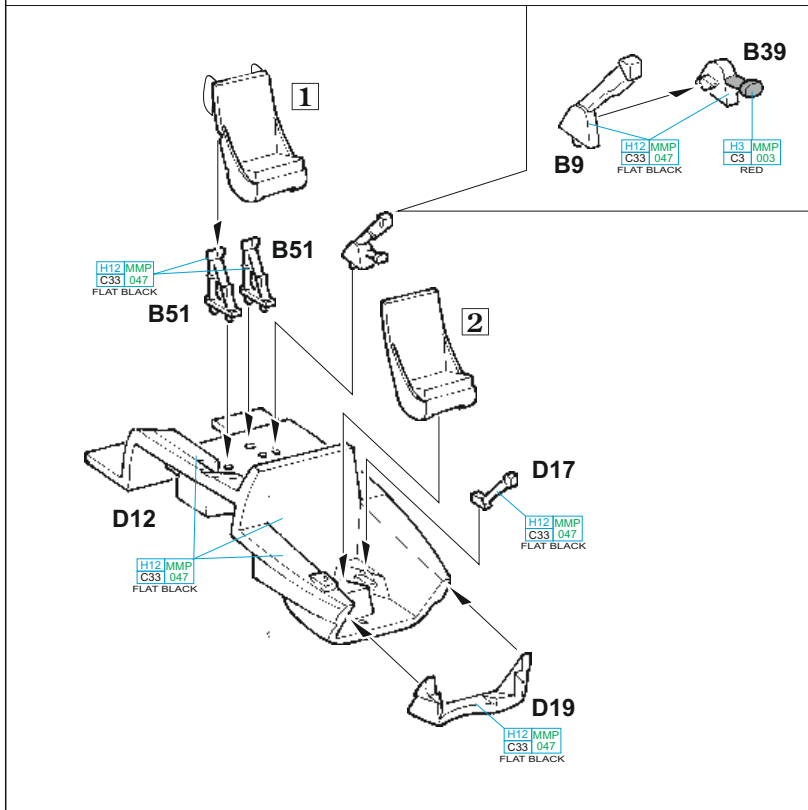
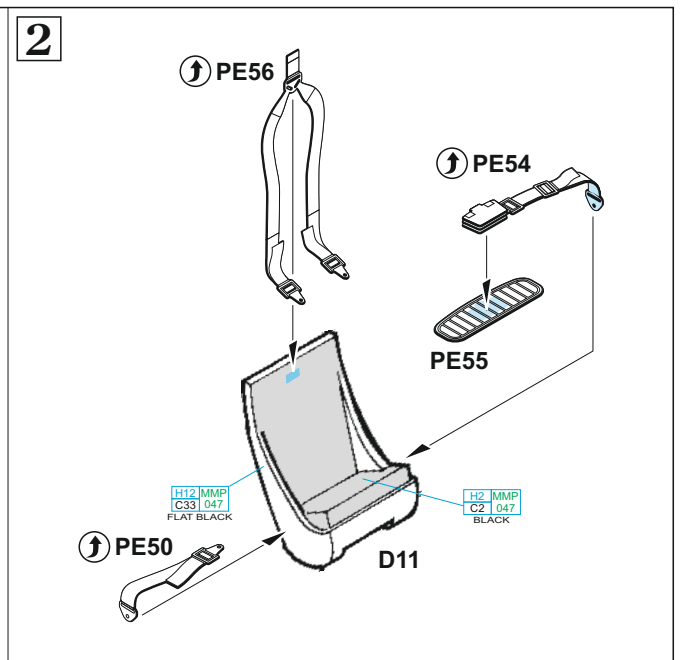
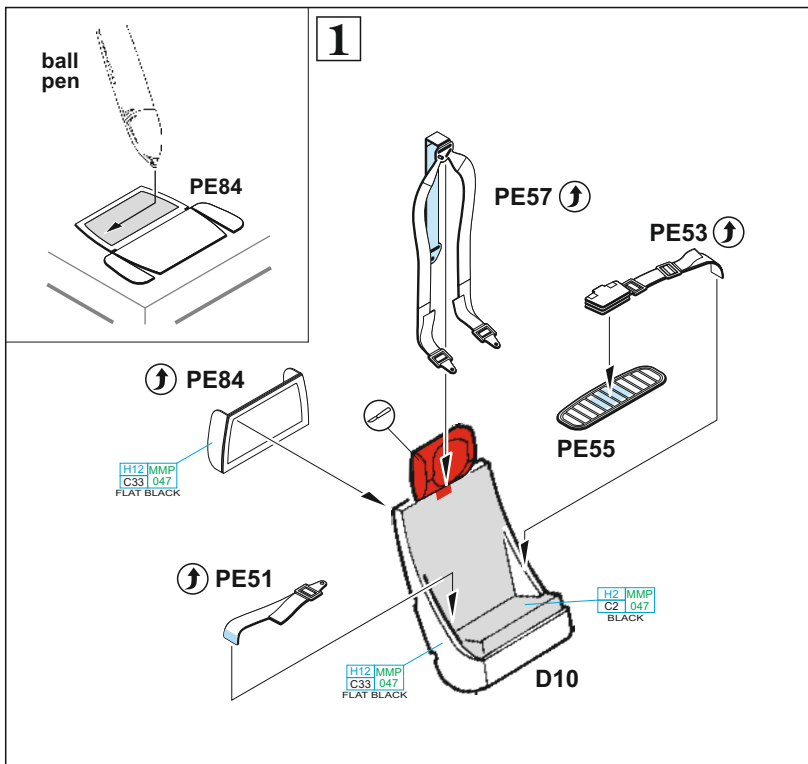
PEINTURE



色

GSI Creos (GUNZE)		MISSION MODELS	
AQUEOUS	Mr.COLOR	PAINTS	
H2	C2	MMP-047	BLACK
H3	C3	MMP-003	RED
H4	C4	MMP-007	YELLOW
H8	C8		SILVER
H11	C62	MMP-001	FLAT WHITE
H12	C33	MMP-047	FLAT BLACK
H18	C28		STEEL
H25	C34		BLUE
H26	C66	MMP-004	BRIGHT GREEN
H27	C44		TAN
H47	C41	MMP-012	RED BROWN
H48	C52		FIELD GRAY
H53	C13		NEUTRAL GRAY
H72	C369	MMP-078	DARK EARTH
H76	C61	MMM-001	BURNT IRON
H77	C137	MMP-040	TIRE BLACK
H81	C55	MMP-023	KHAKI
H82	C31		DARK GRAY
H84	C42		MAHOGANY
H90	C47		CLEAR RED
H94	C138		CLEAR GREEN
H303	C303	MMP-066	GREEN
H305	C305	MMP-084	GRAY
H306	C306	MMP-118	MEDIUM GRAY
H307	C307	MMP-074	GRAY

GSI Creos (GUNZE)		MISSION MODELS	
AQUEOUS	Mr.COLOR	PAINTS	
H308	C308	MMP-073	GRAY
H310	C310	MMP-060	BROWN
H311	C311	MMP-095	LIGHT GRAY
H313	C313		YELLOW
H323	C323	MMP-092	LIGHT BLUE
H327	C327	MMP-101	RED
H335	C363		MEDIUM SEAGRAY
H337	C337		GRAYISH BLUE
H338	C338	MMP-116	MEDIUM GRAY
H340	C340		FIELD GREEN
H416	C116	MMP-105	ANTRACITE GRAY
H417	C117	MMP-051	LIGHT BLUE
H422	C122	MMP-053	LIGHT GREEN
	C128		GRAY GREEN
	C136	MMP-032	RUSSIAN GREEN
	C352	MMP-067	YELLOW PRIMER
	C512		GREEN
Mr.METAL COLOR		METALLICS	
	MC218	MMM-003	ALUMINIUM
	MC219	MMM-009	BRASS
Mr.COLOR SUPER METALLIC		METALLICS	
	SM203		SUPER IRON 2

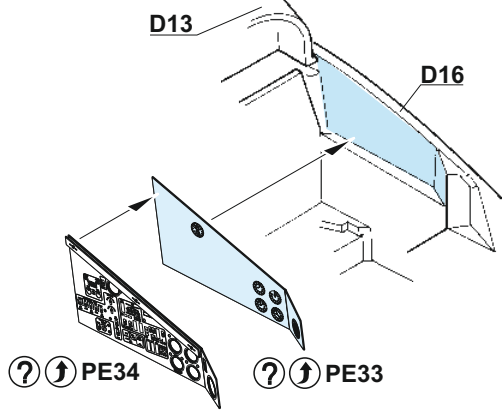


1 = $\frac{H337}{C337}$ - MARKINGS **A;B;E;G**
GRAYISH BLUE

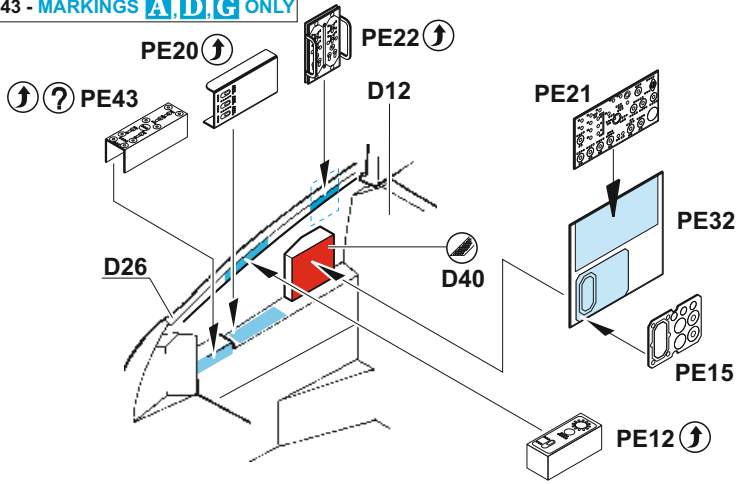
$\frac{H82}{C31}$ + $\frac{H11}{C62}$ - MARKINGS **C;D;F;H**
75% DARK GRAY + 25% FLAT WHITE

11163-LEPT1 - MARKINGS **B,C,E,F,H**

11163-LEPT2 - MARKINGS **A,D,G**

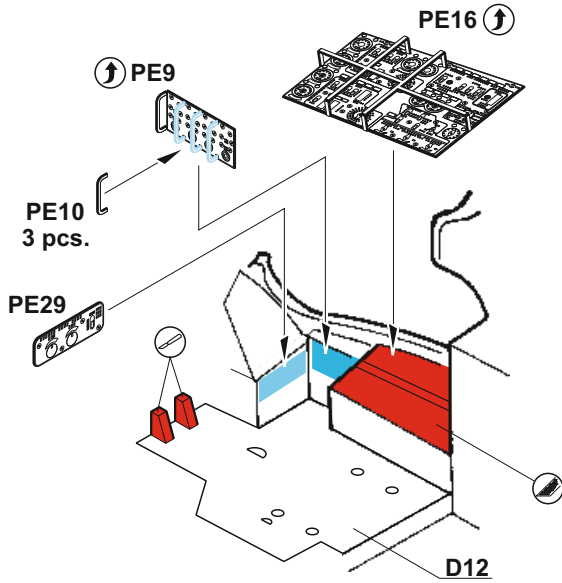


PE43 - MARKINGS **A,D,G ONLY**



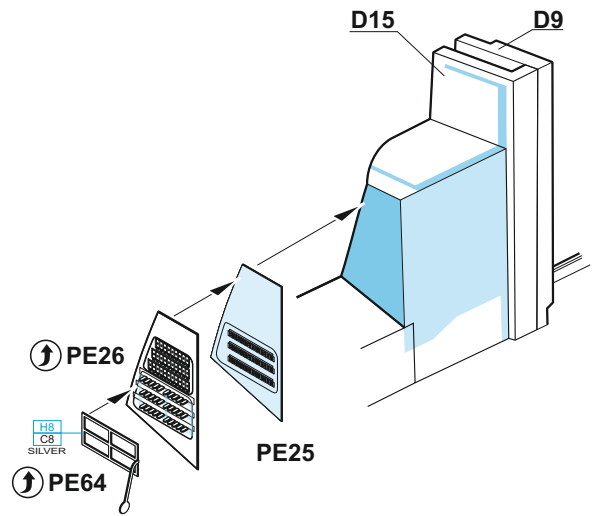
11163-LEPT1 - MARKINGS **B,C,E,F,H**

11163-LEPT2 - MARKINGS **A,D,G**



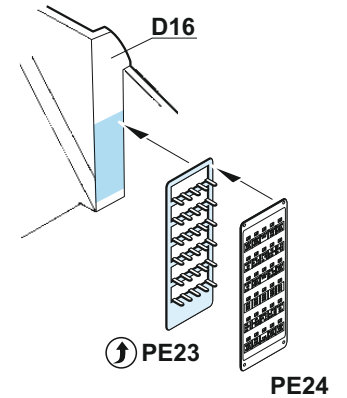
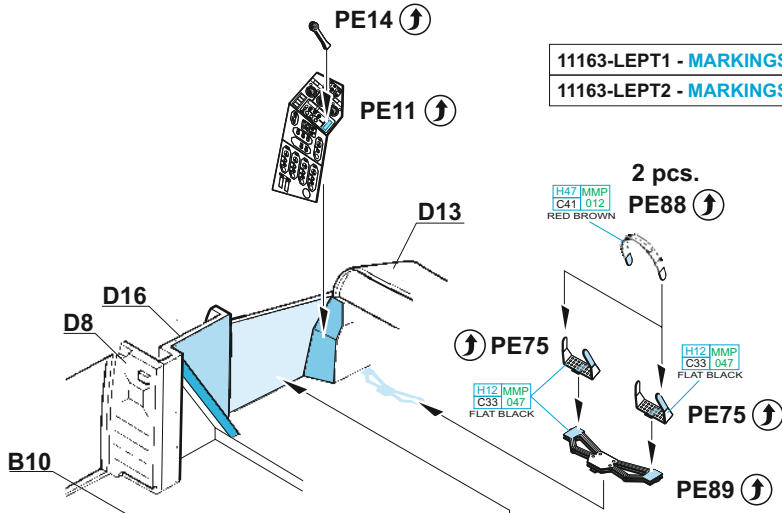
11163-LEPT1 - MARKINGS **B,C,E,F,H**

11163-LEPT2 - MARKINGS **A,D,G**

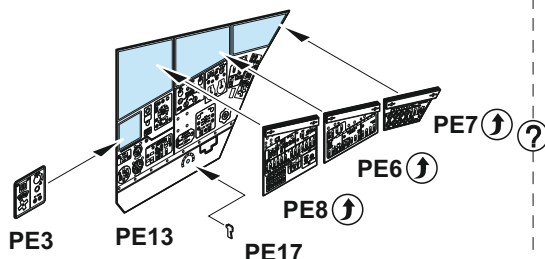


11163-LEPT1 - MARKINGS **B,C,E,F,H**

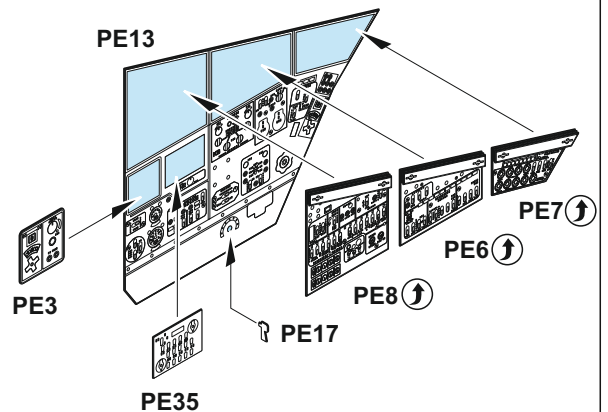
11163-LEPT2 - MARKINGS **A,D,G**



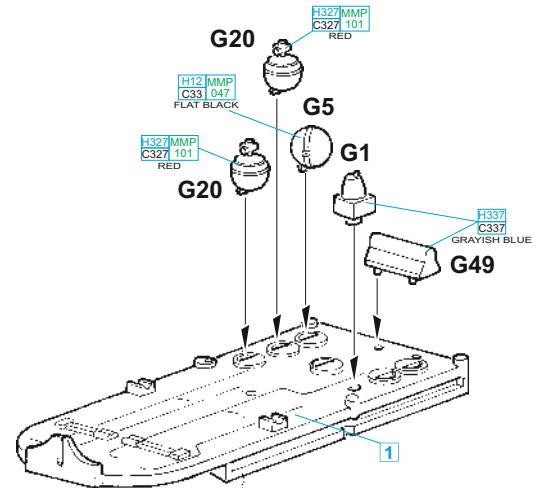
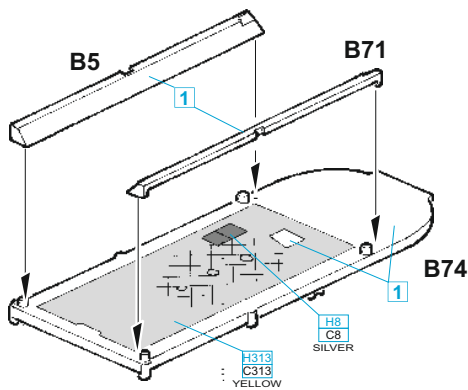
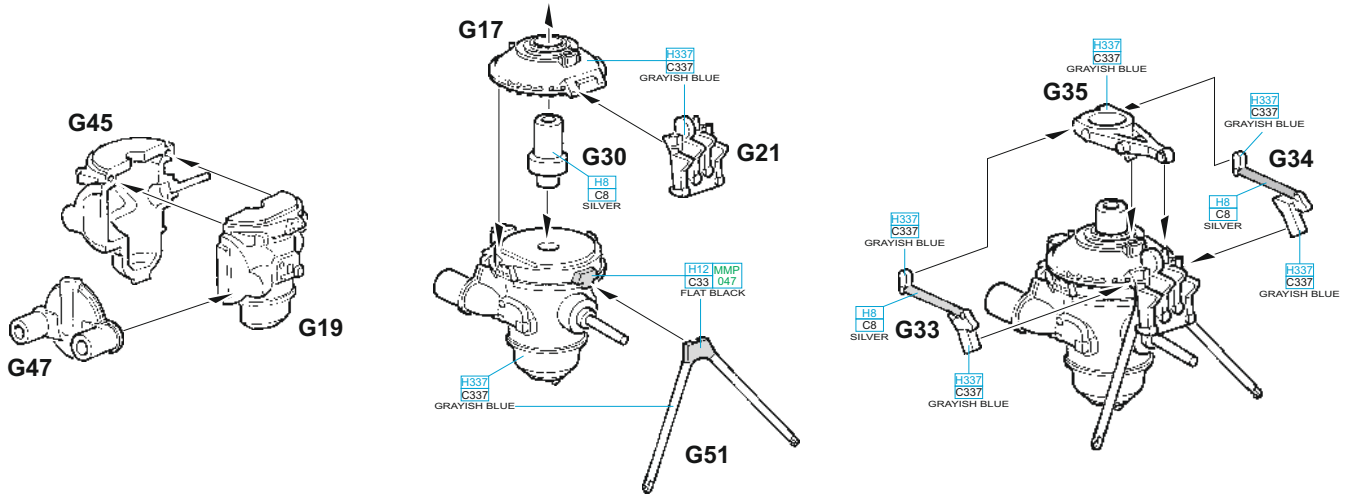
MARKINGS **B,C,E,F,H**



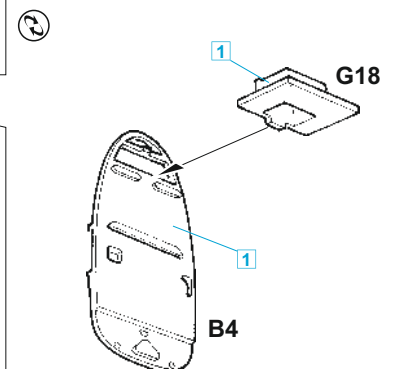
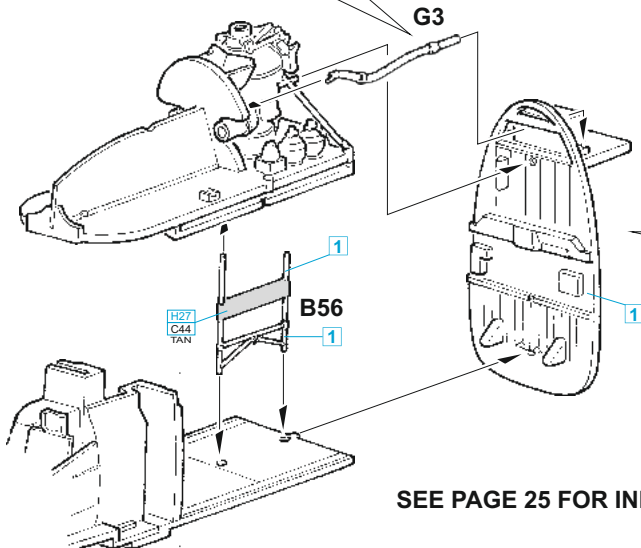
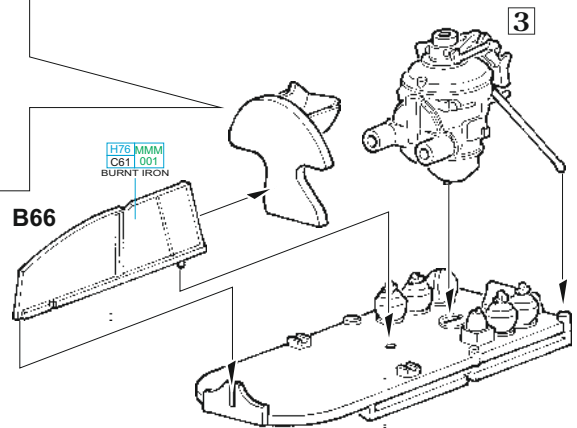
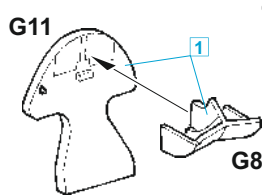
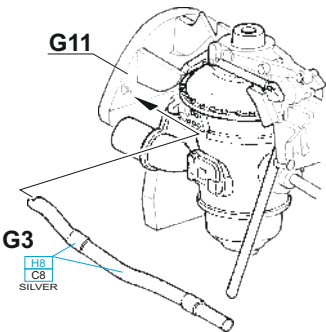
MARKINGS **A,D,G**



3

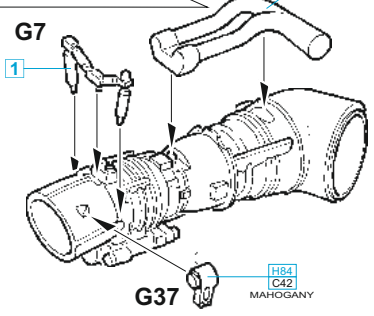
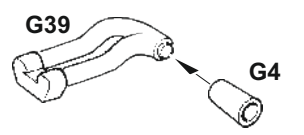
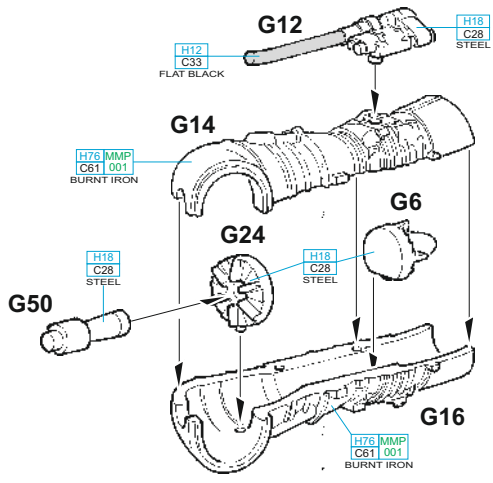


2

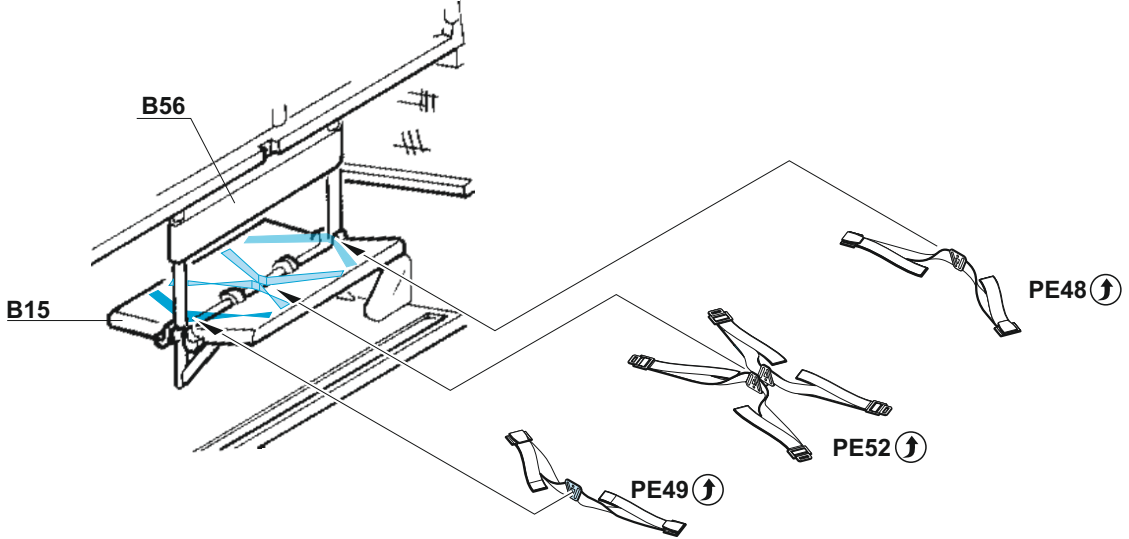
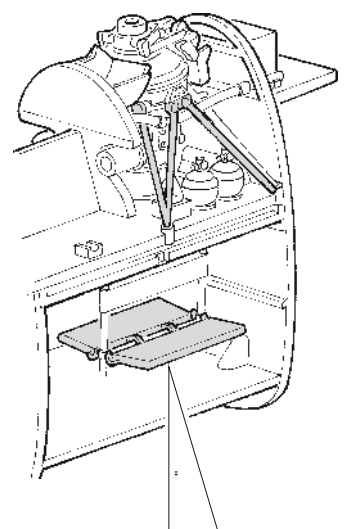
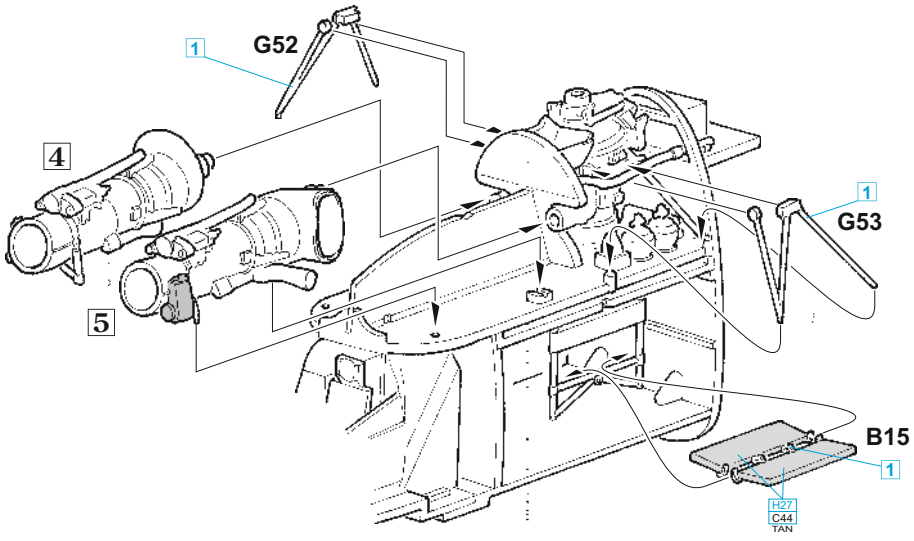
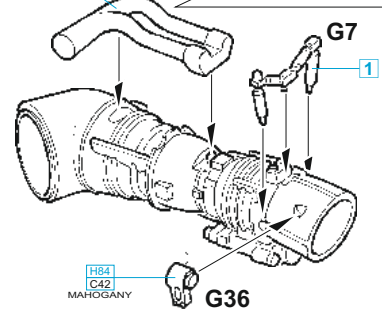
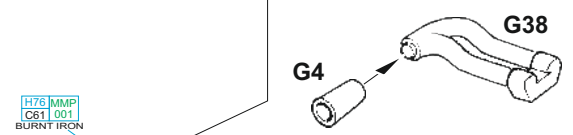
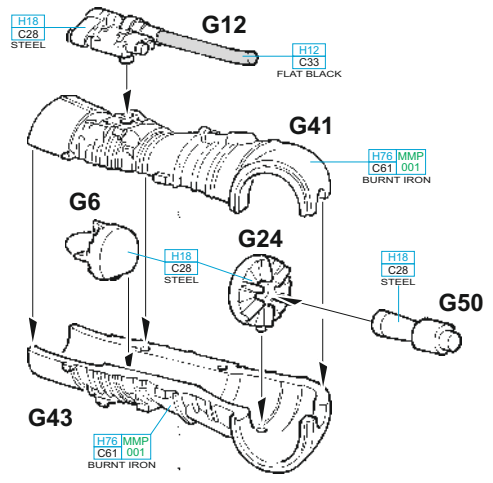


SEE PAGE 25 FOR INNER STENCILING

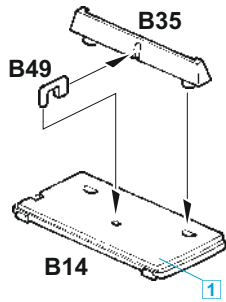
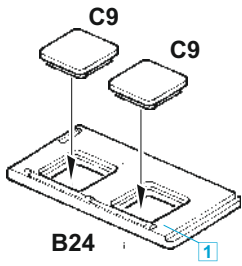
4



5

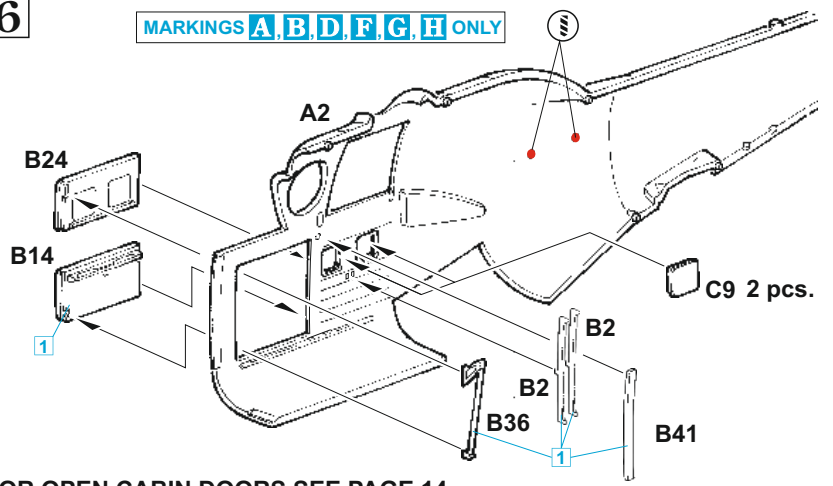


6



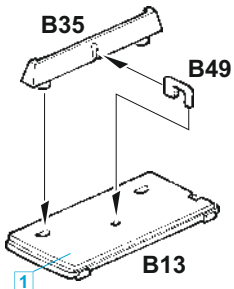
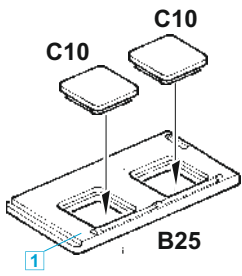
6

MARKINGS **A, B, D, F, G, H** ONLY



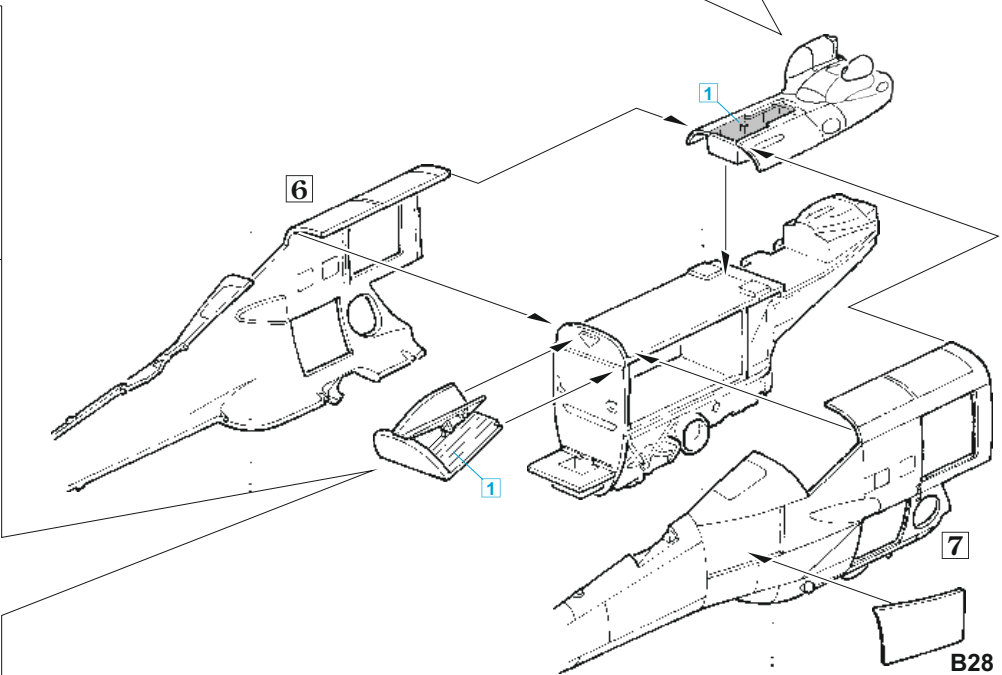
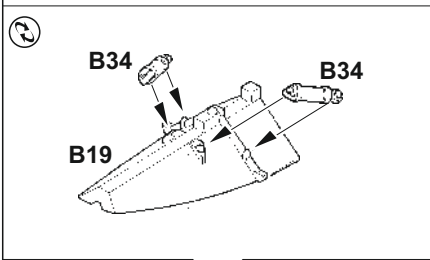
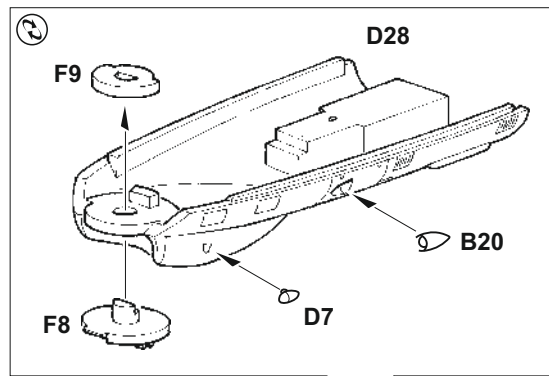
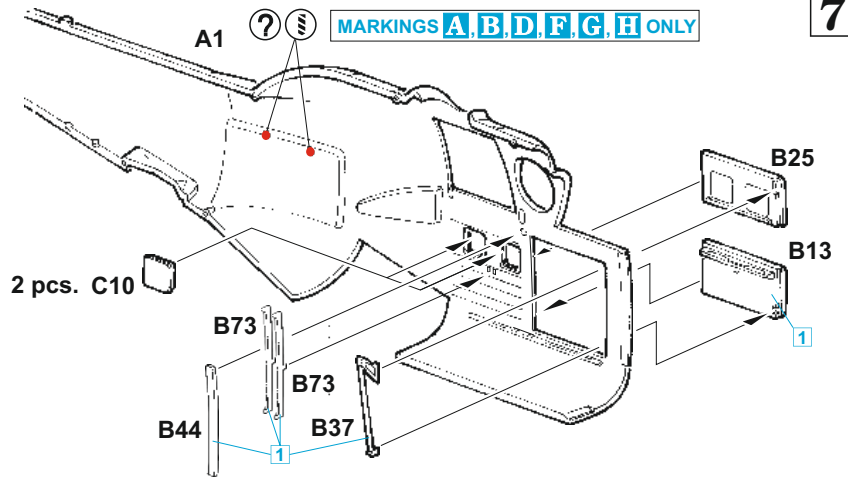
FOR OPEN CABIN DOORS SEE PAGE 14

SEE PAGE 25 FOR INNER STENCILING



7

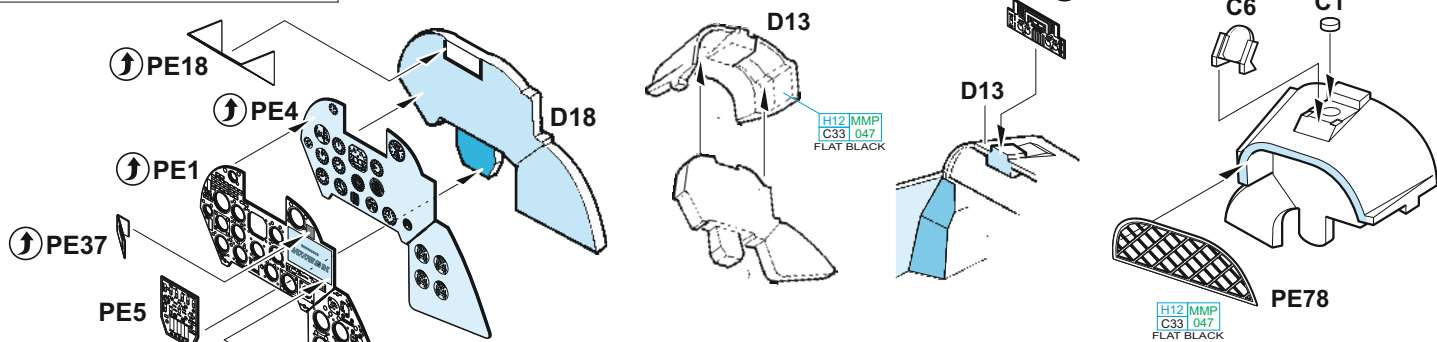
MARKINGS **A, B, D, F, G, H** ONLY



11163-LEPT1 - MARKINGS B, C, E, F, H

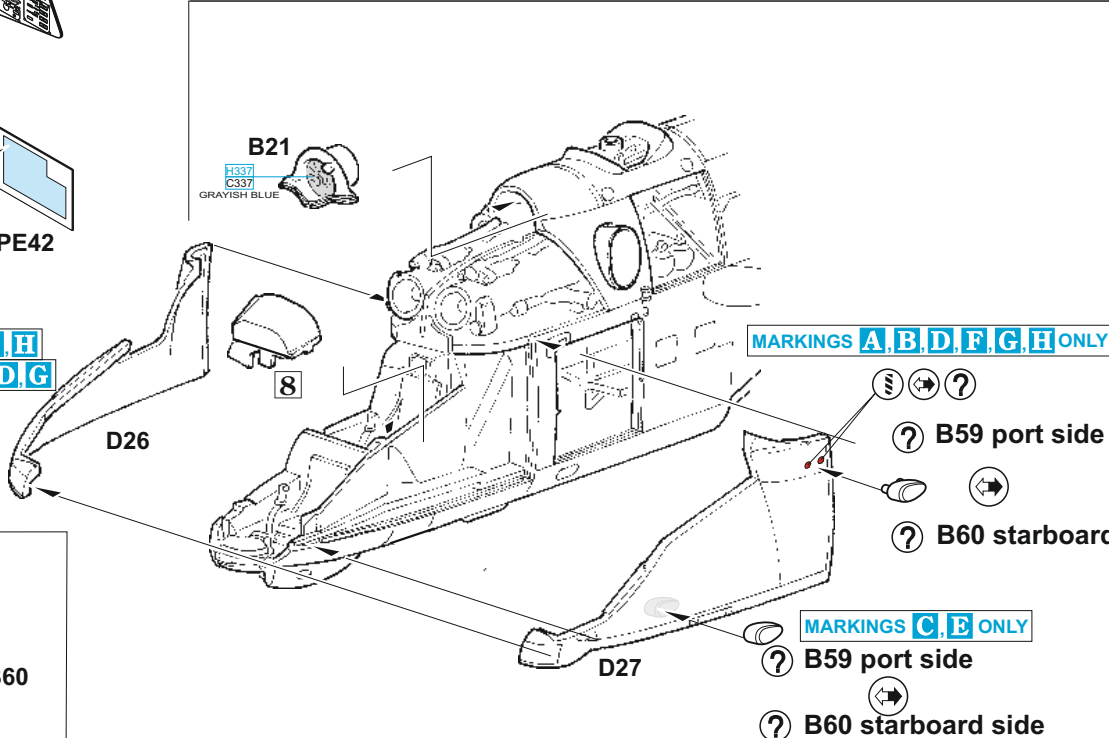
11163-LEPT2 - MARKINGS A, D, G

8



SEE PAGE 25 FOR INNER STENCILING

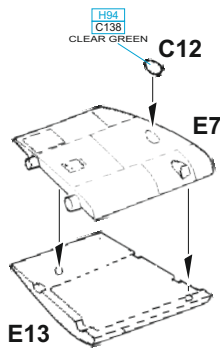
PE2, film - MARKINGS B, C, E, F, H
PE36, PE42, PE45 - MARKINGS A, D, G



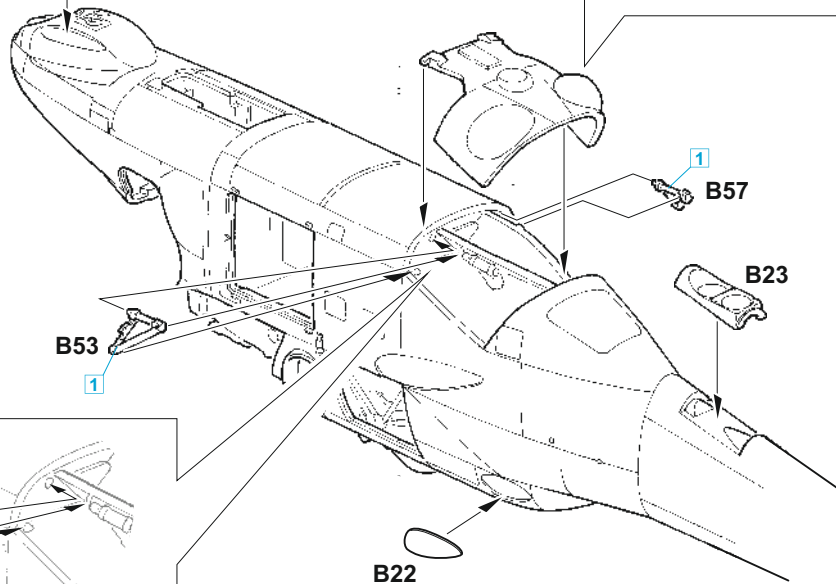
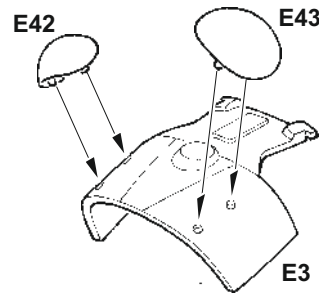
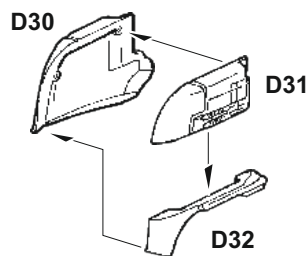
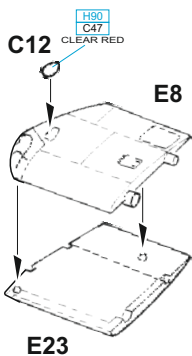
MARKINGS C, E ONLY



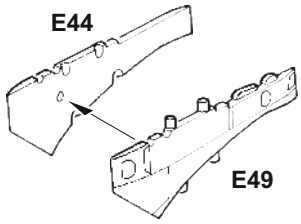
9



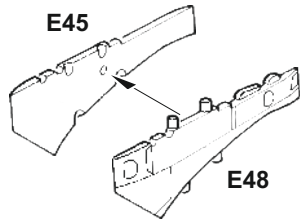
10



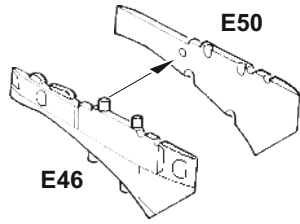
11



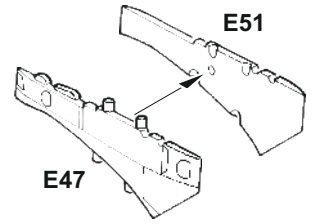
12



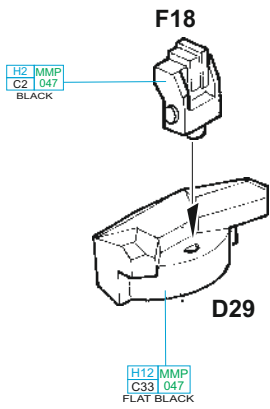
13



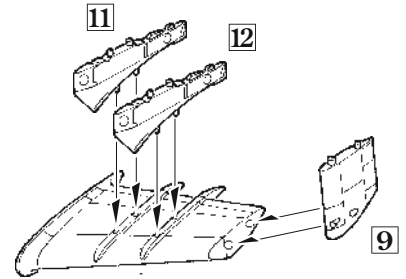
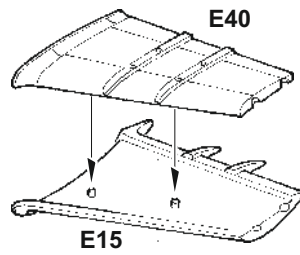
14



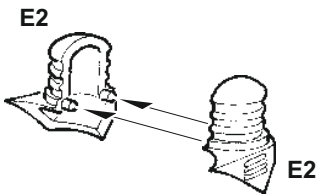
15



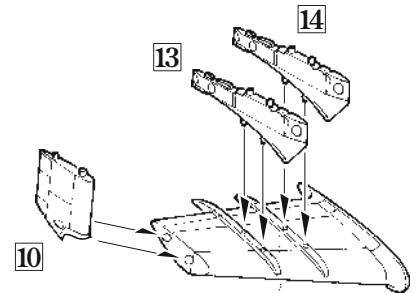
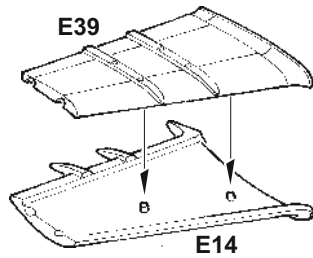
16



17

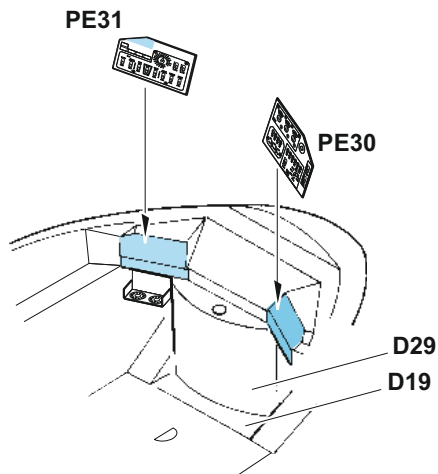


18

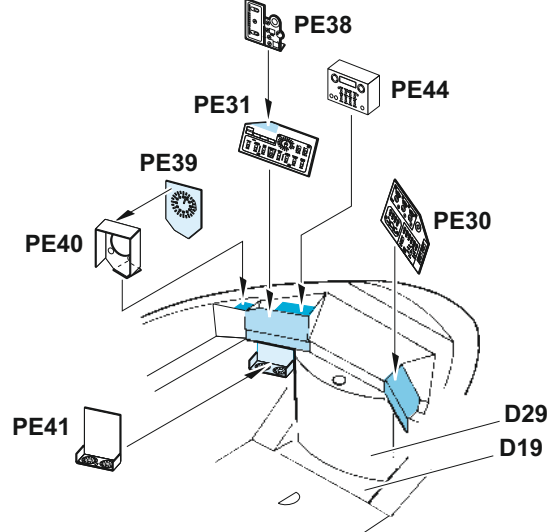


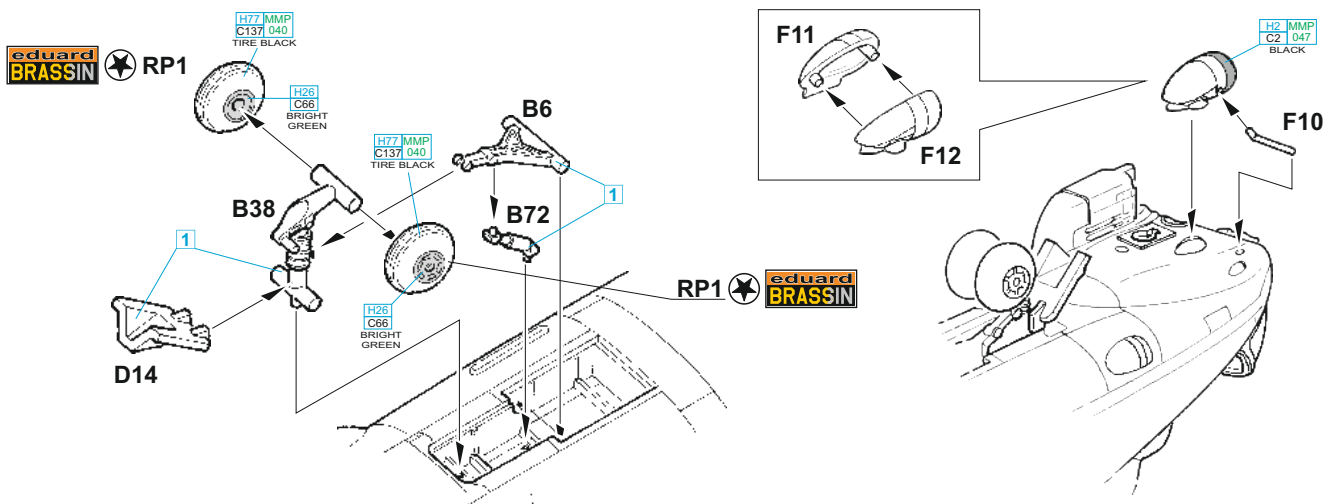
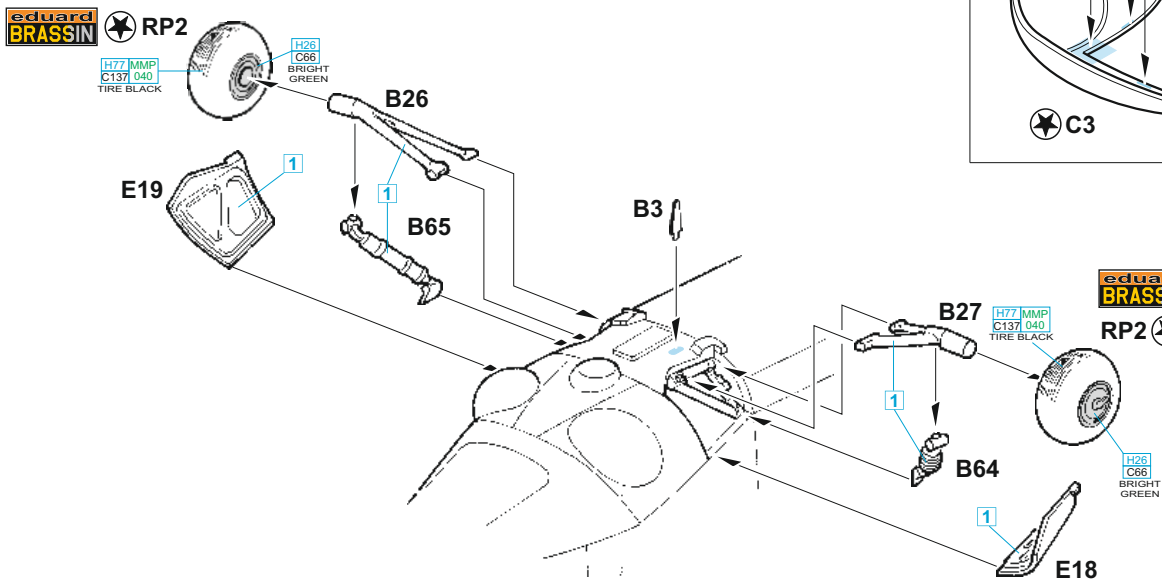
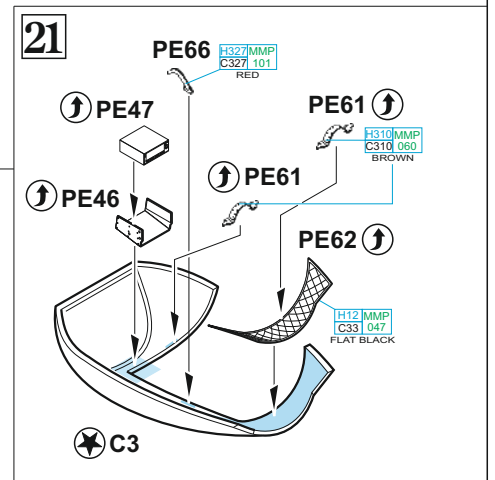
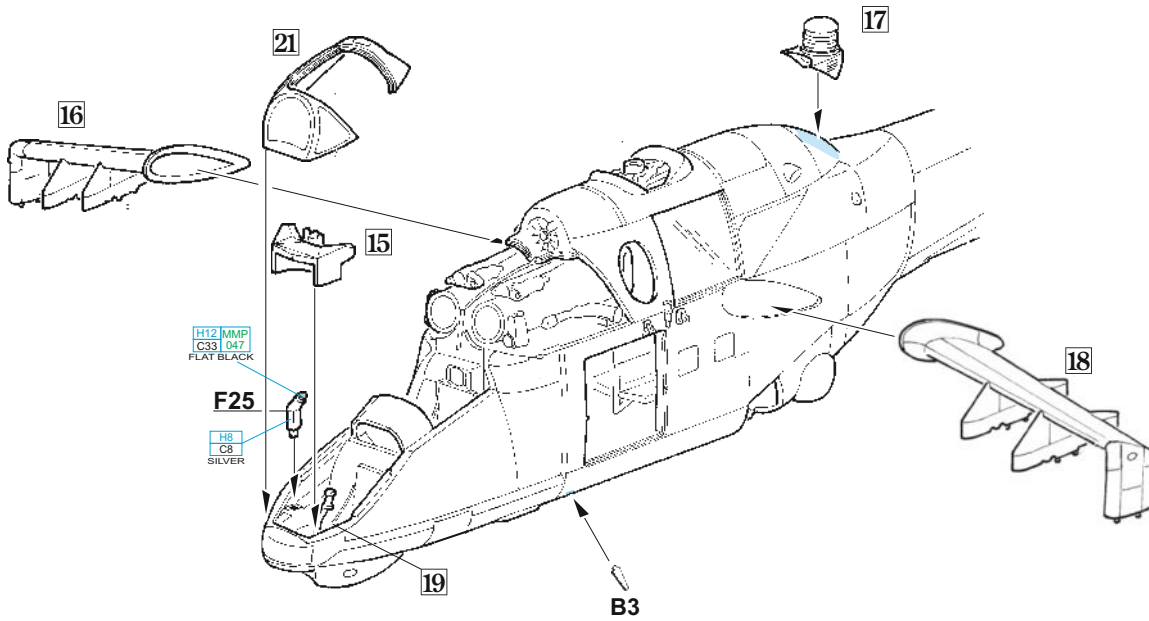
19

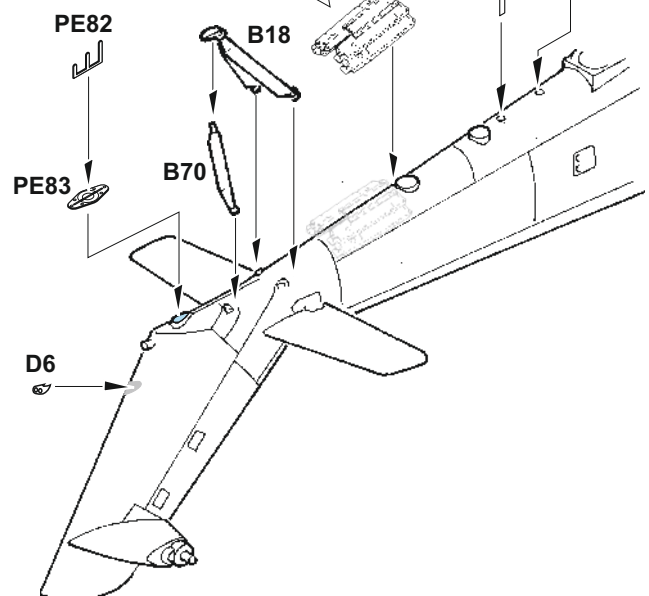
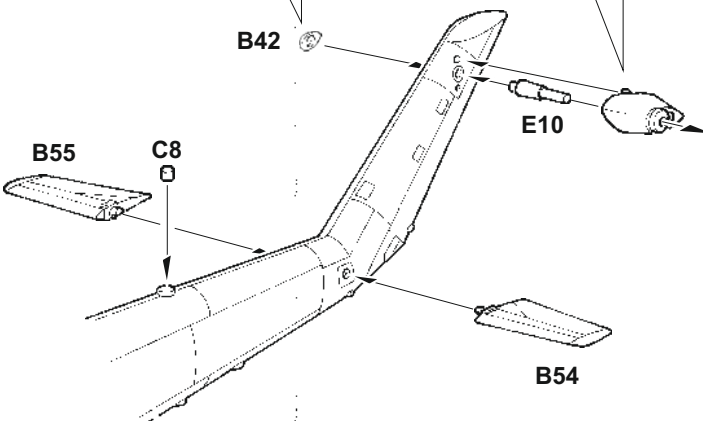
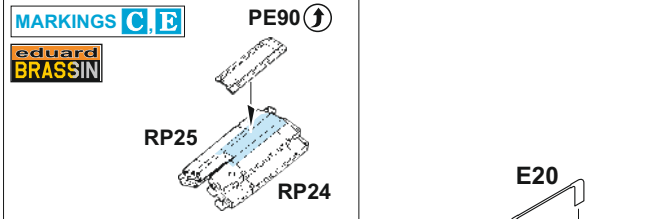
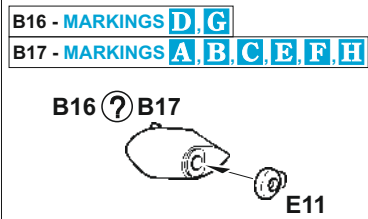
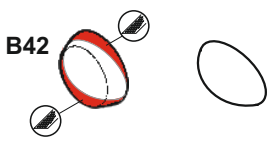
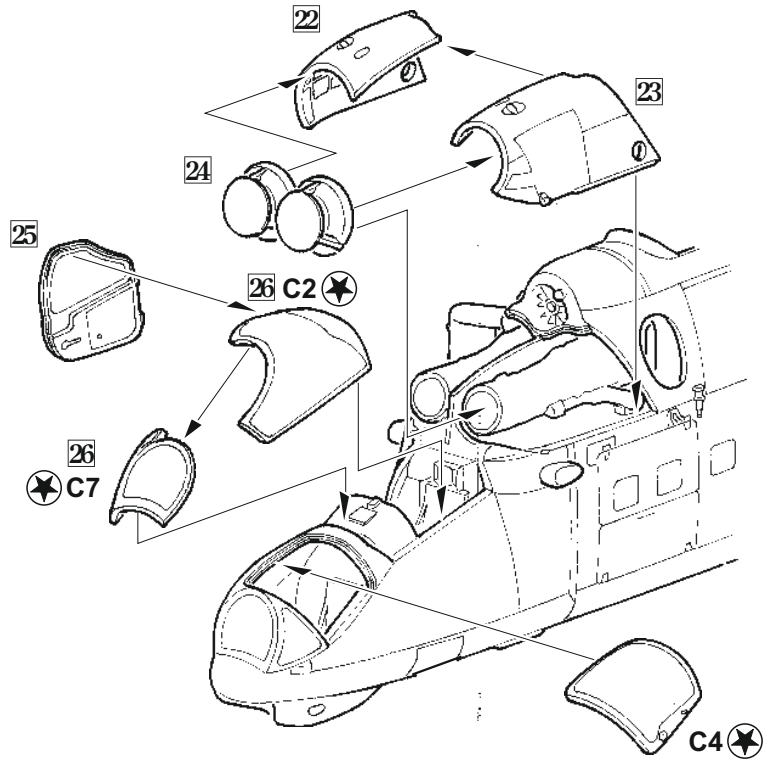
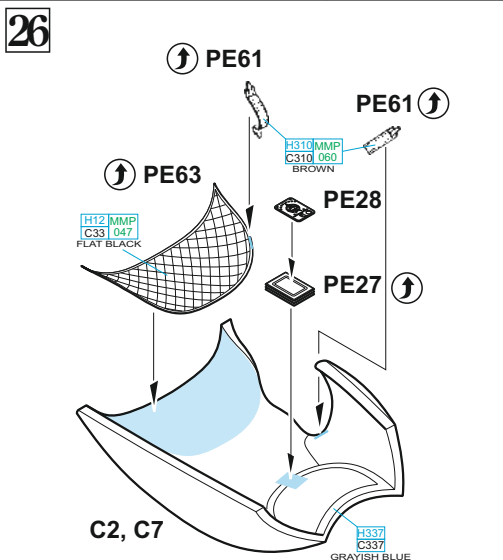
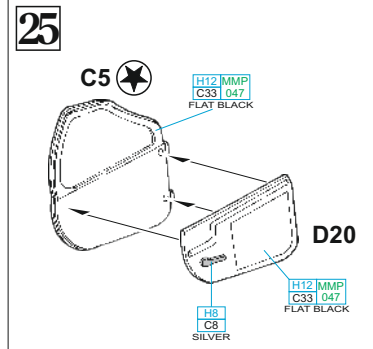
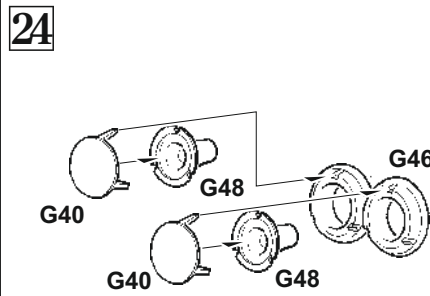
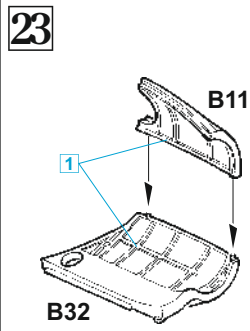
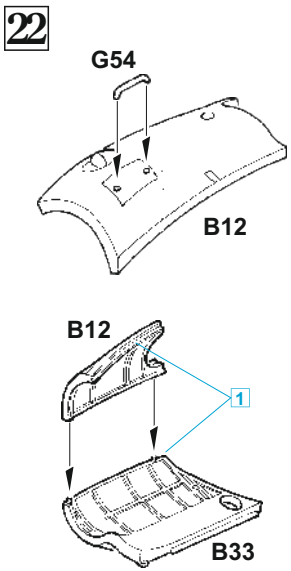
11163-LEPT1 - MARKINGS B, C, E, F, H



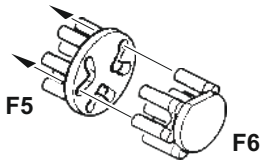
11163-LEPT2 - MARKINGS A, D, G



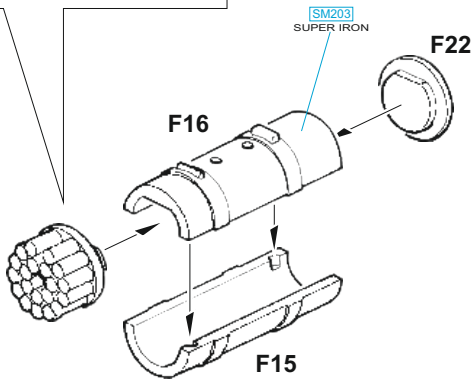




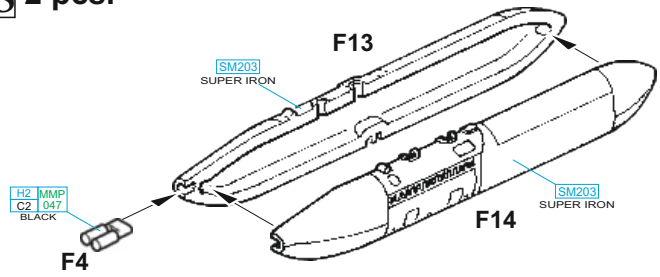
4 pcs.



27 4 pcs.



28 2 pcs.

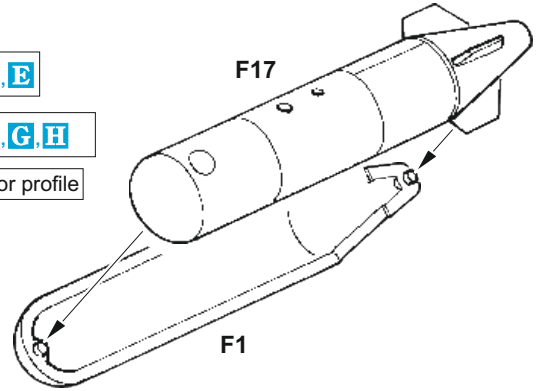


29 4 pcs.

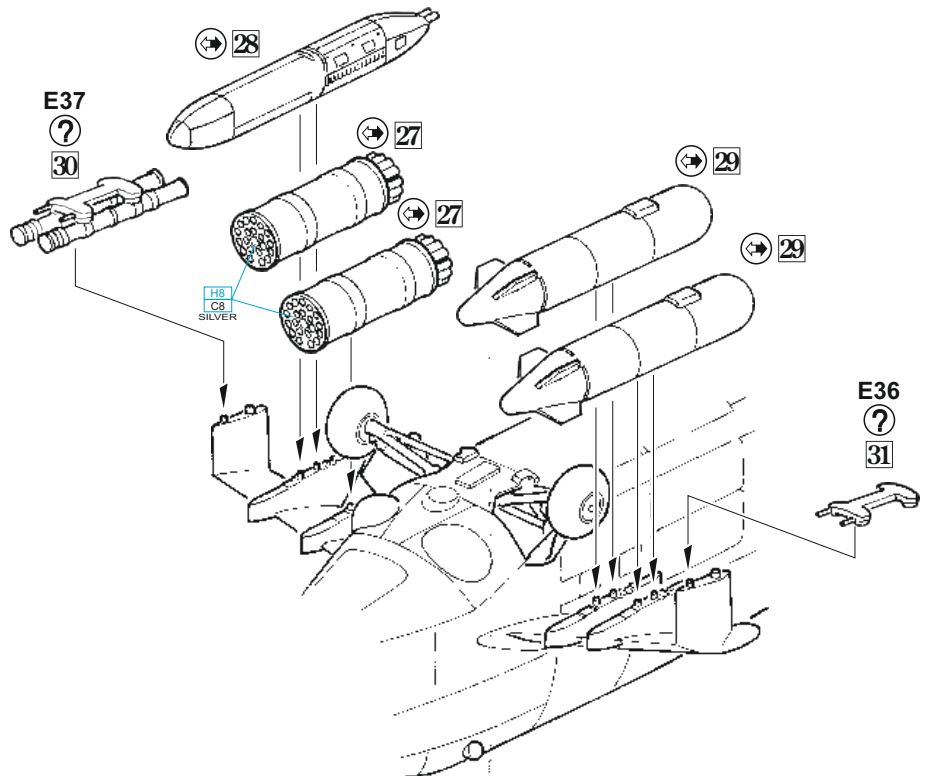
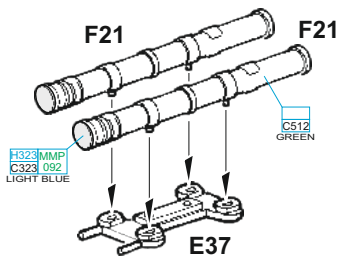
H417/MMP C117 089 LIGHT BLUE - MARKINGS B, E

H308/MMP C308 073 GRAY - MARKINGS C, G, H

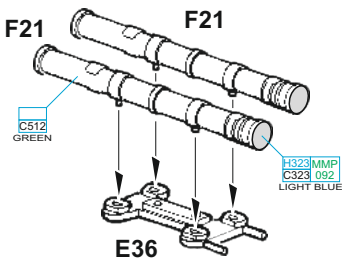
MARKING A - see color profile



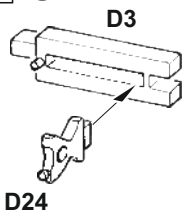
30



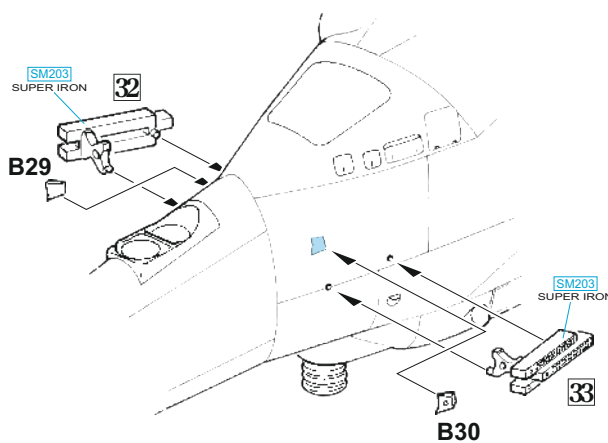
31



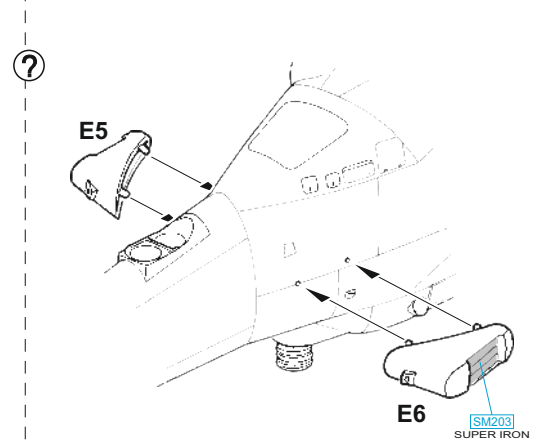
32 ?



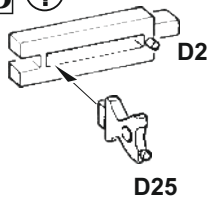
MARKINGS A, D, G

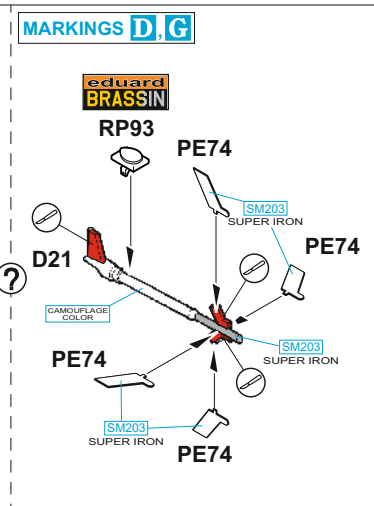
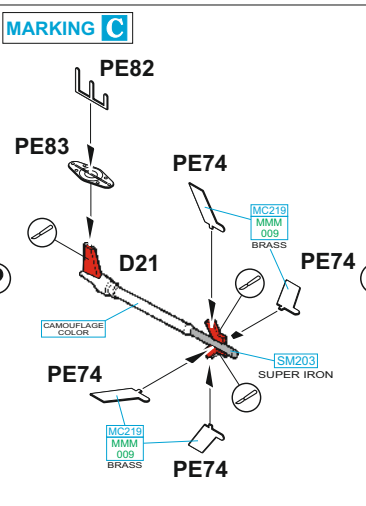
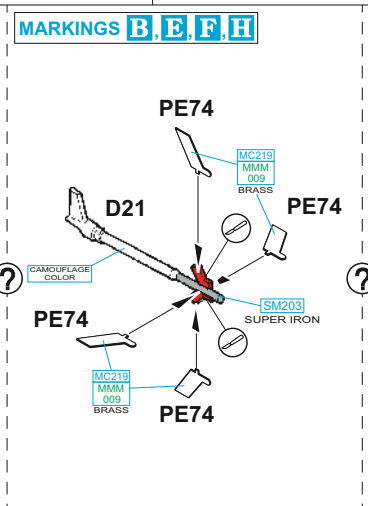
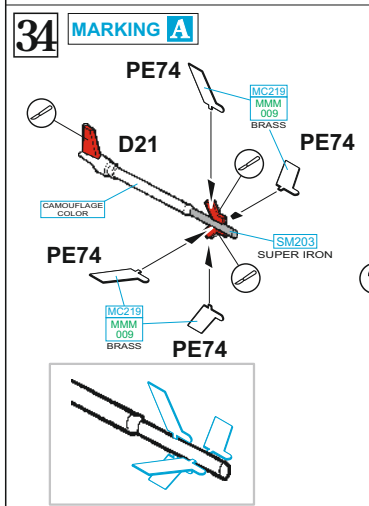
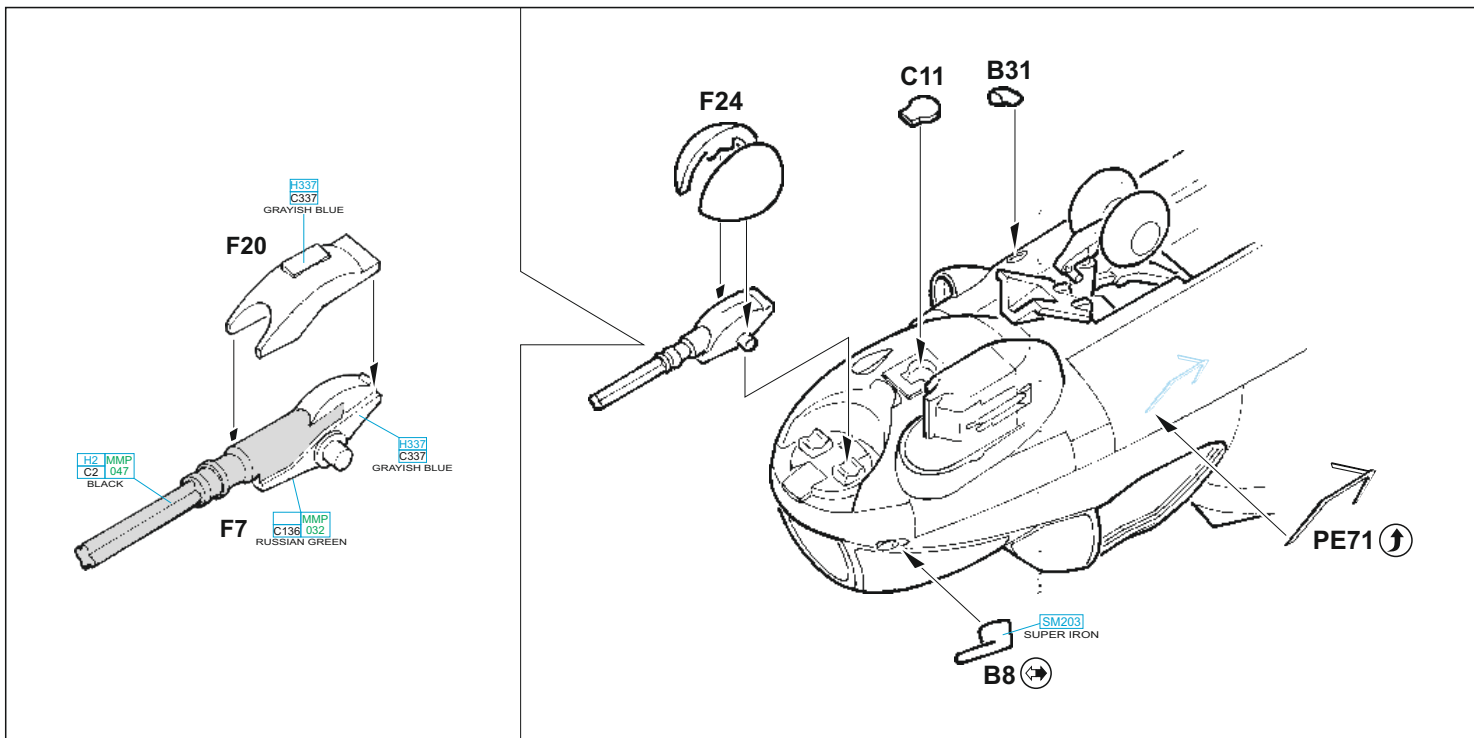


MARKINGS B, F, H

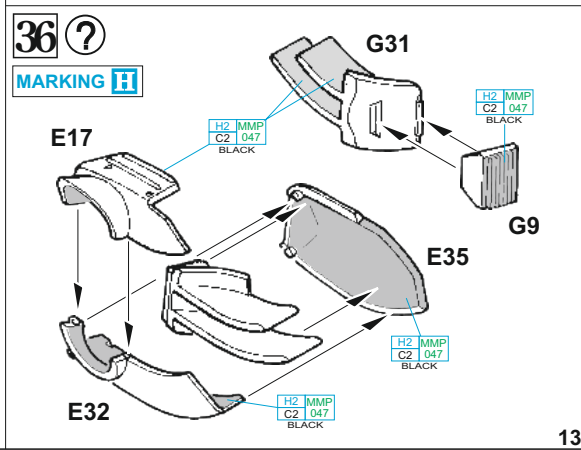
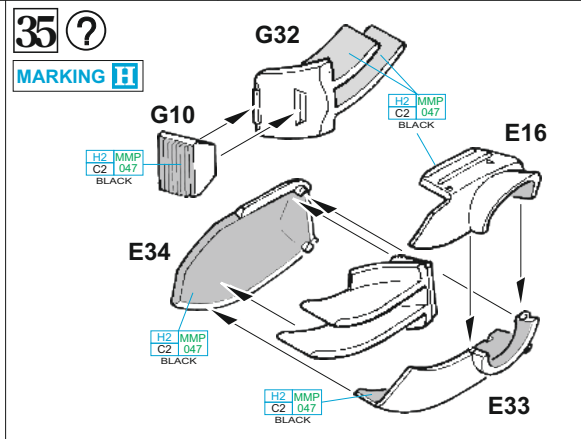
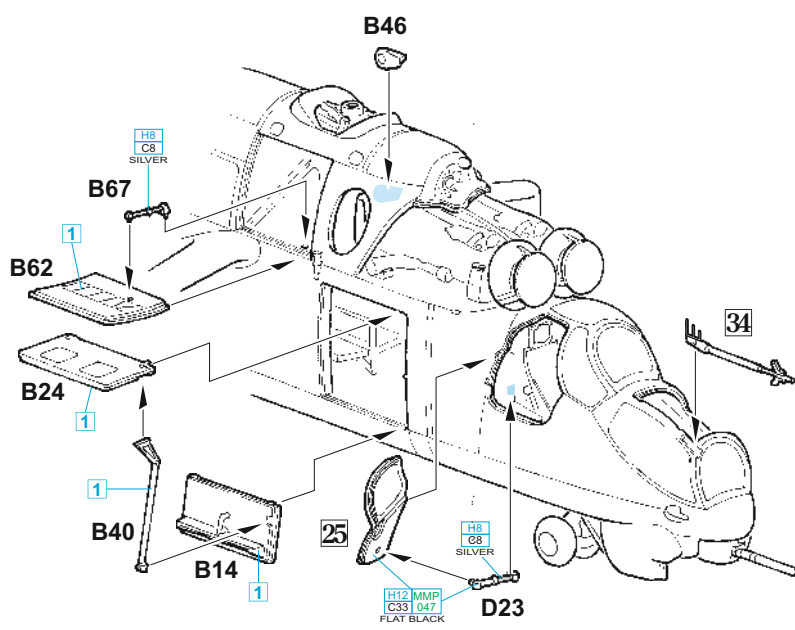


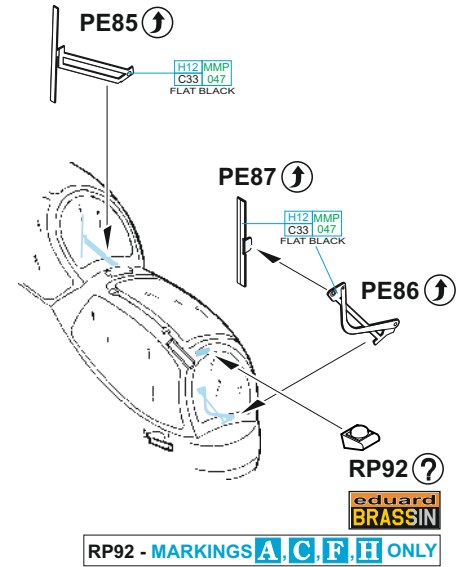
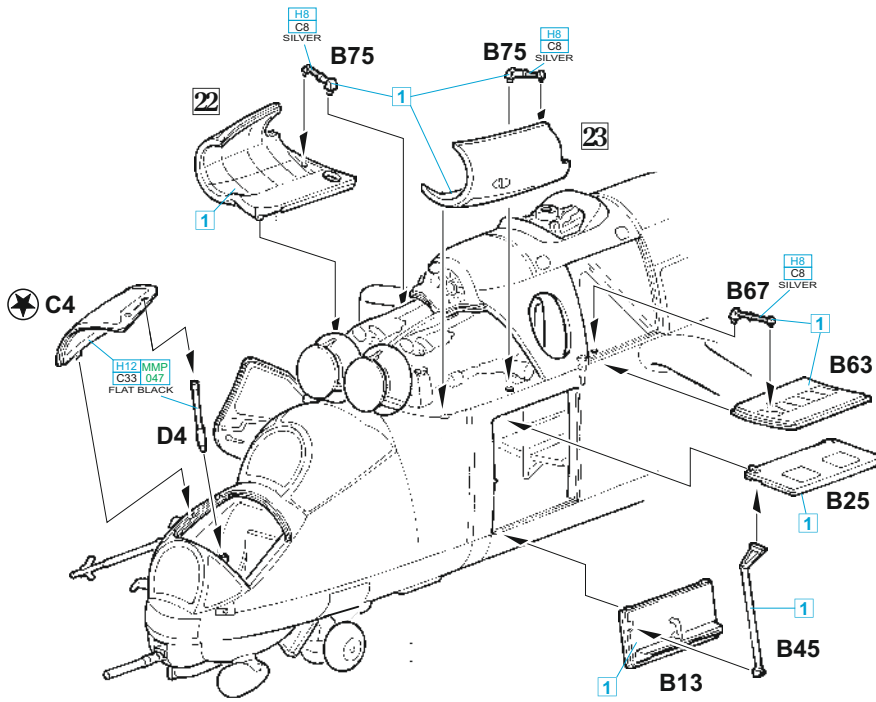
33 ?



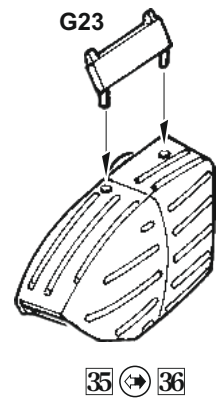
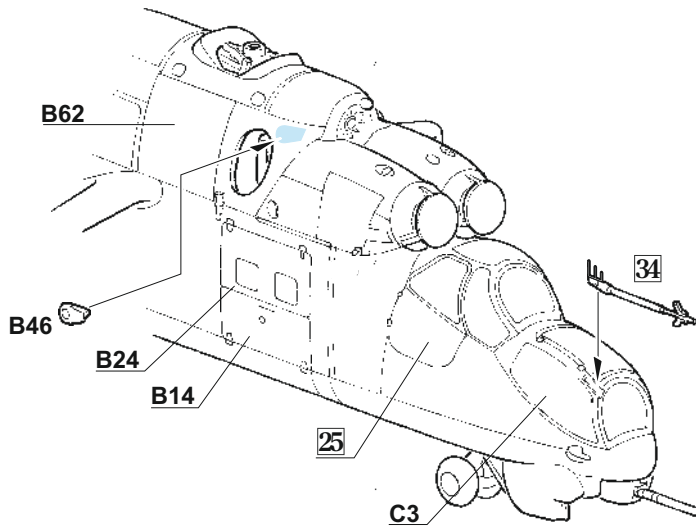


OPENED CANOPY, ACCESS AND CABIN DOORS



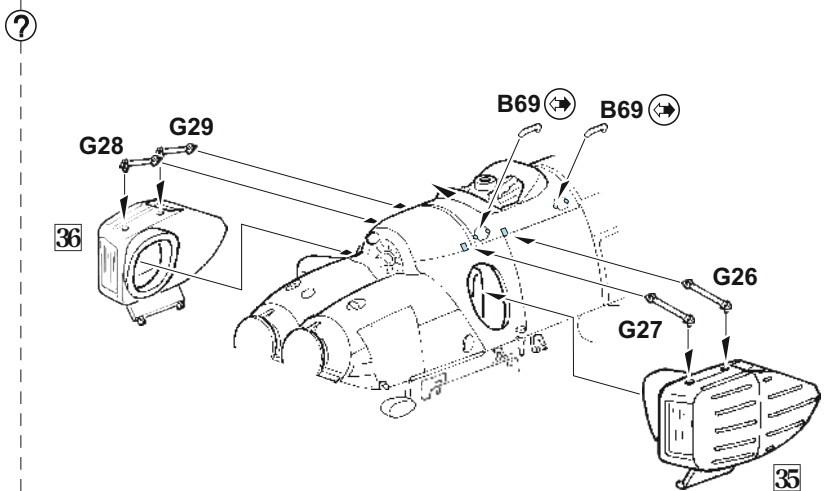
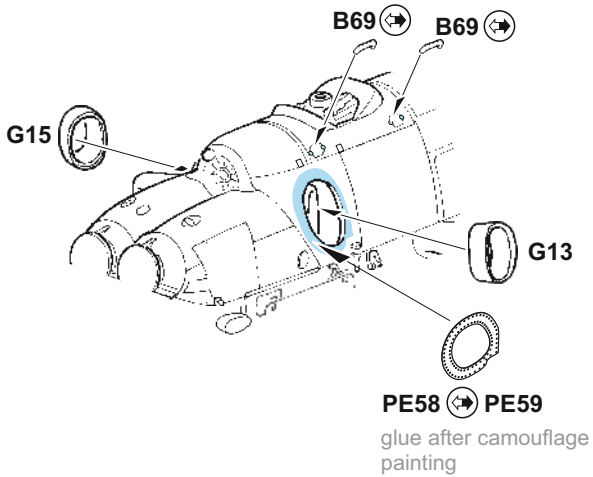


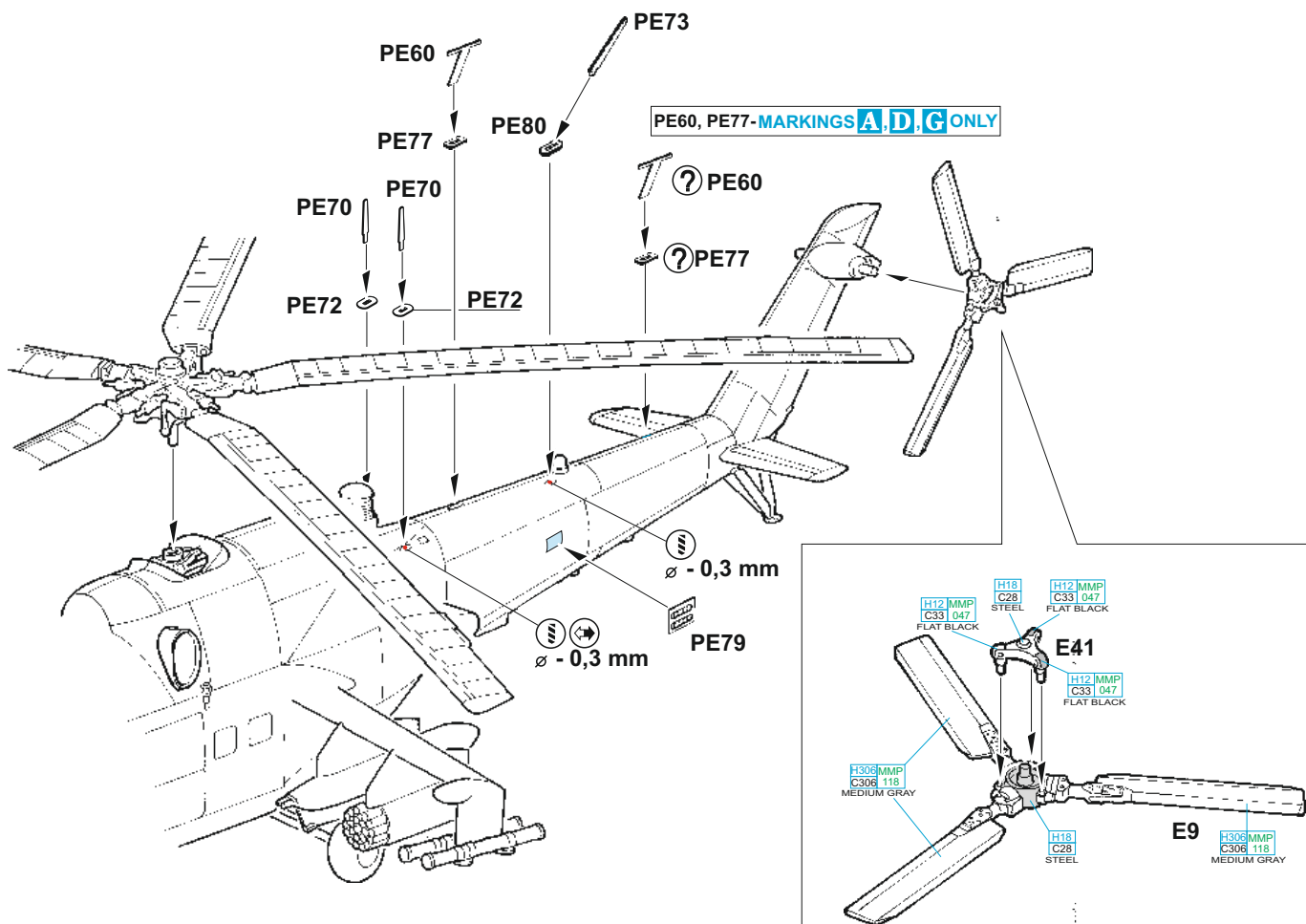
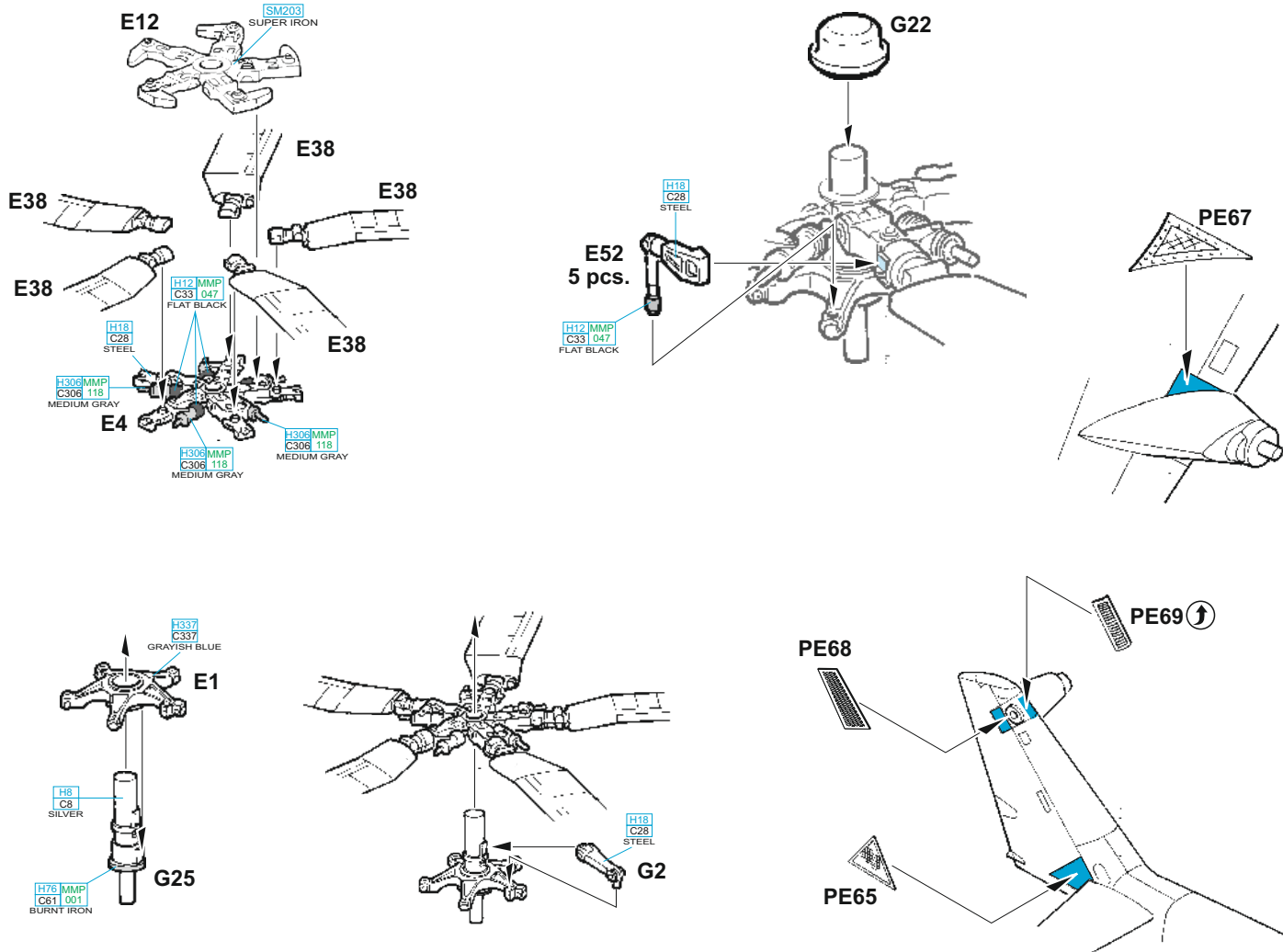
CLOSED CANOPY, ACCESS AND CABIN DOORS

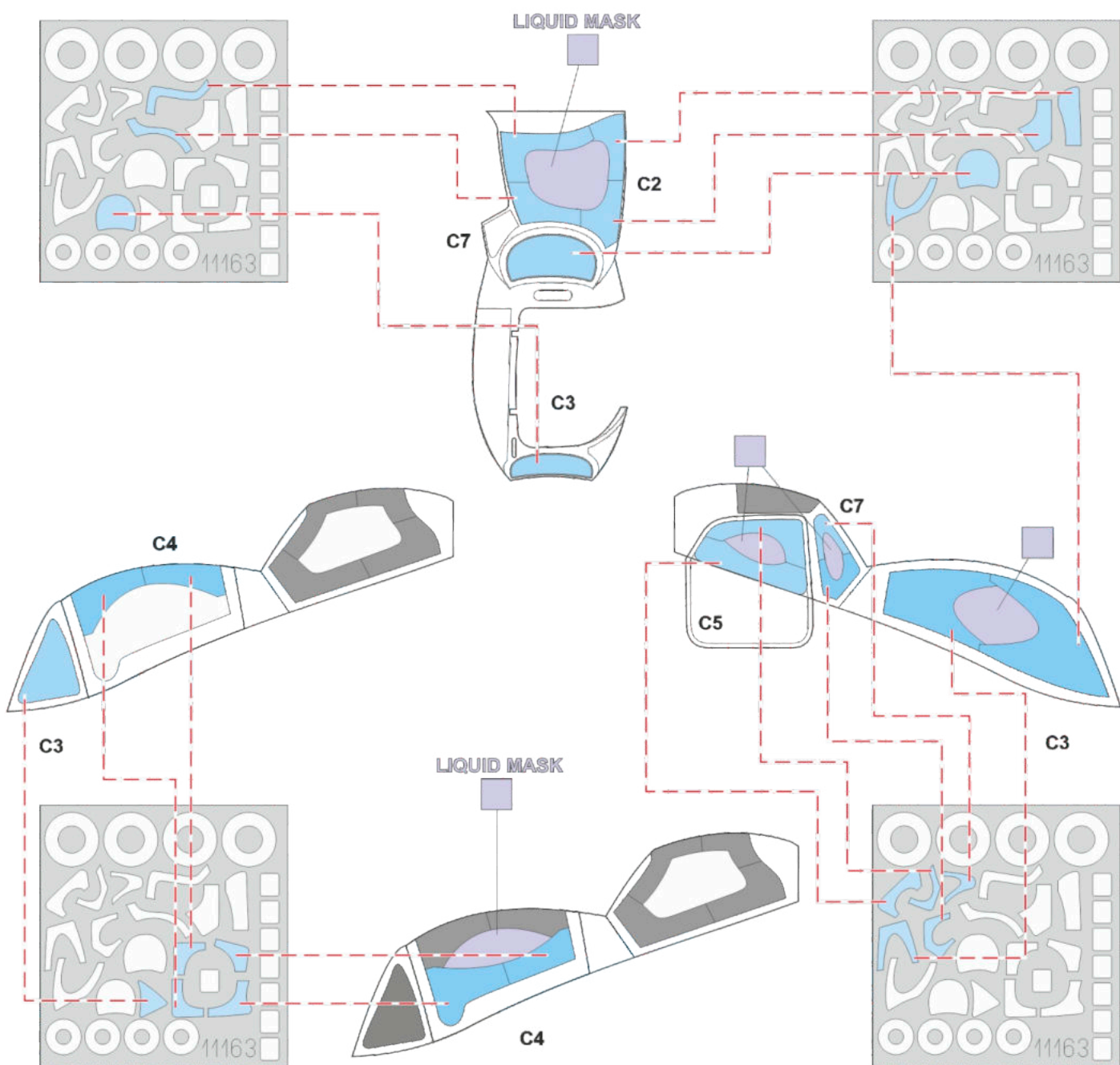
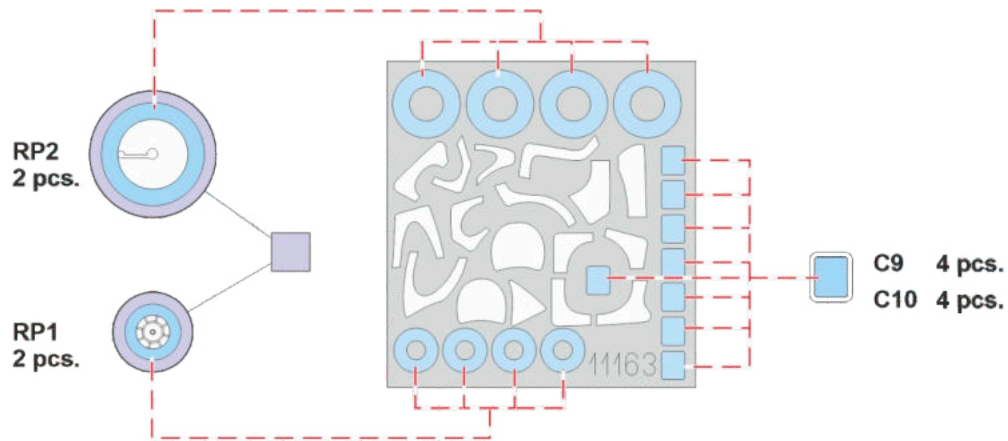


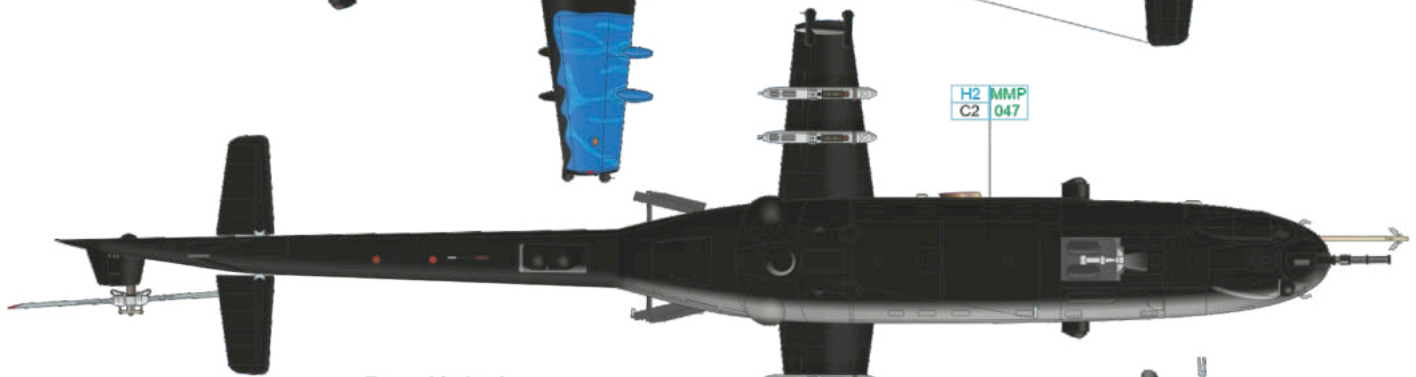
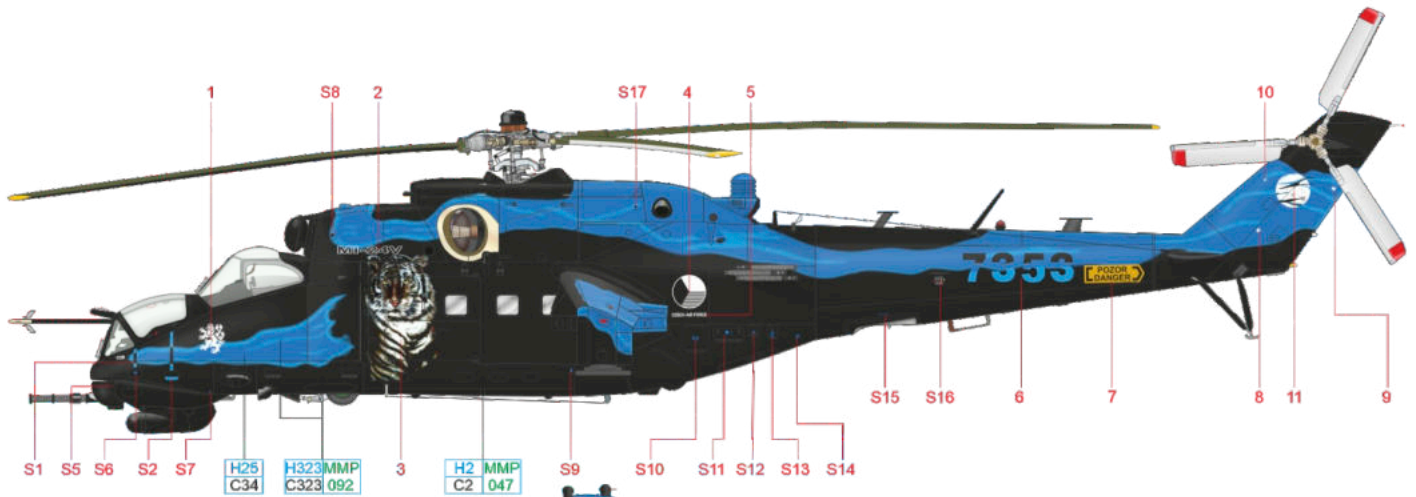
MARKINGS **A, B, C, D, E, F, G**

MARKING **H**

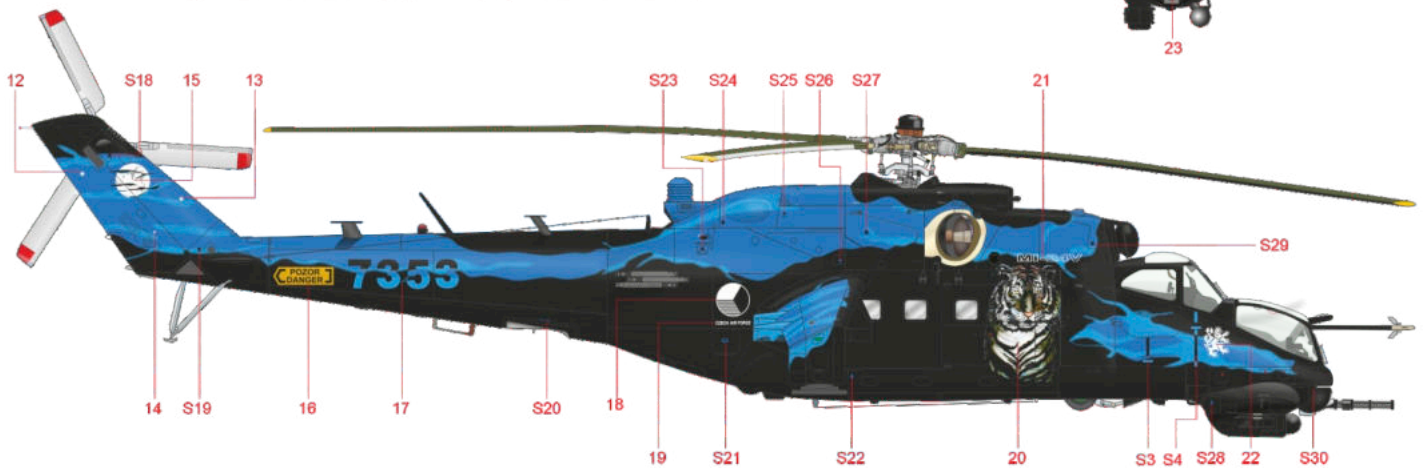
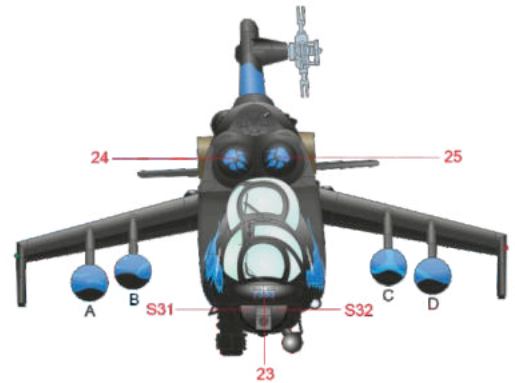
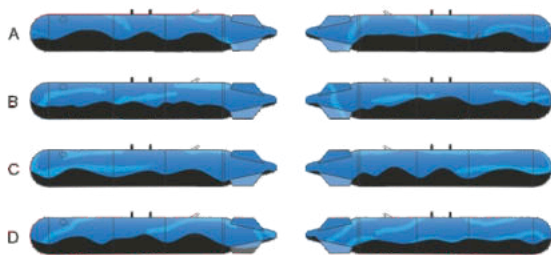




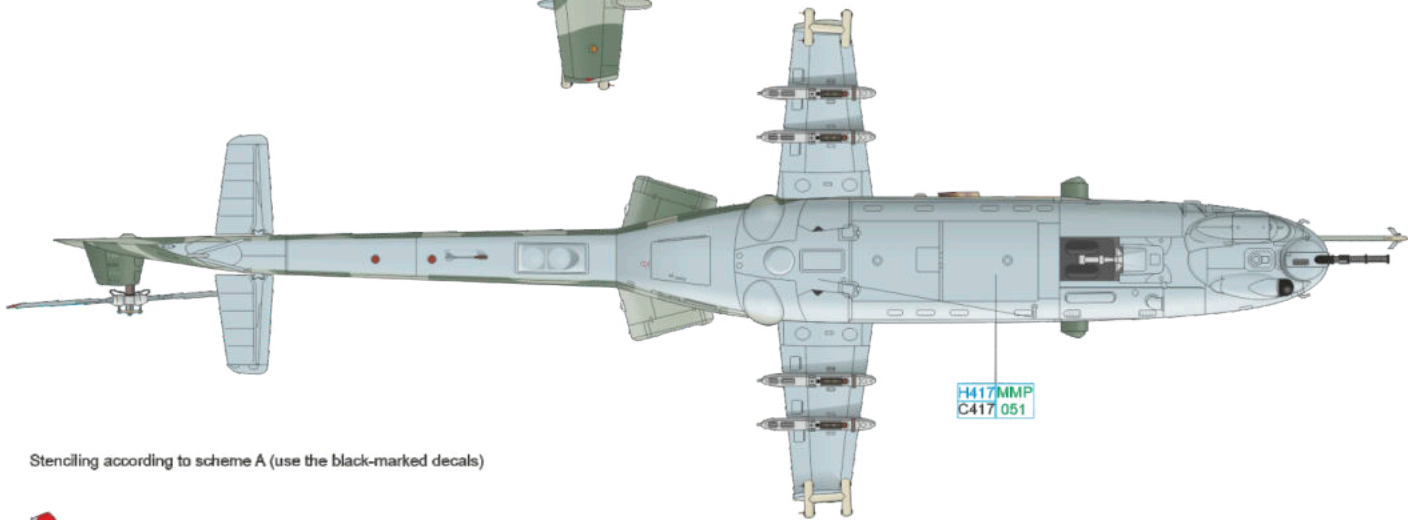
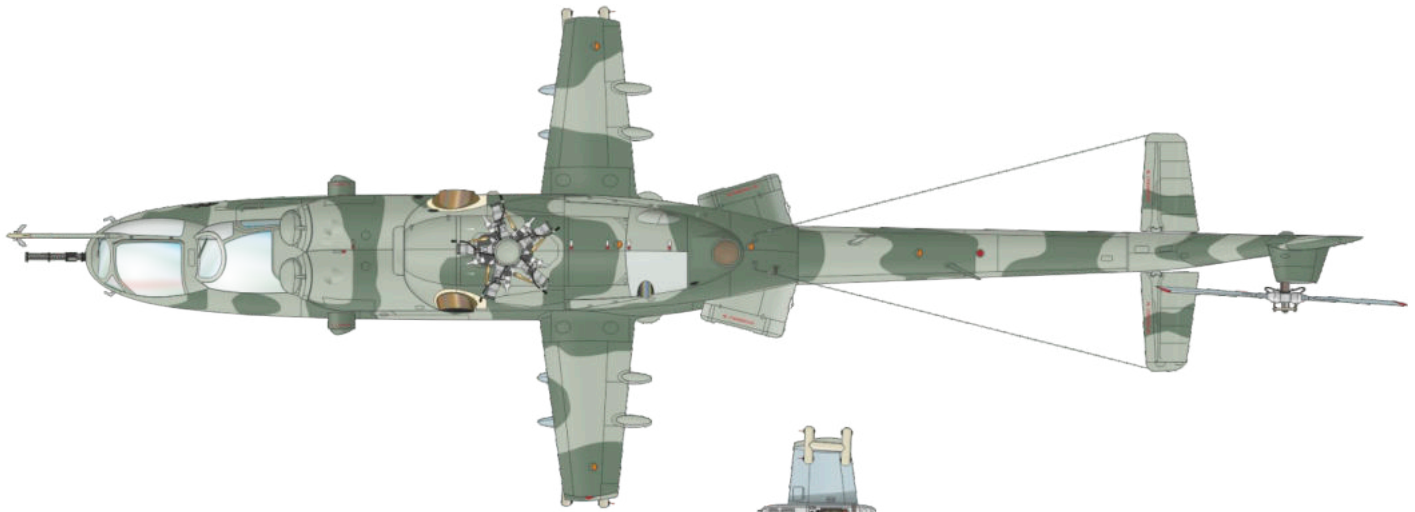
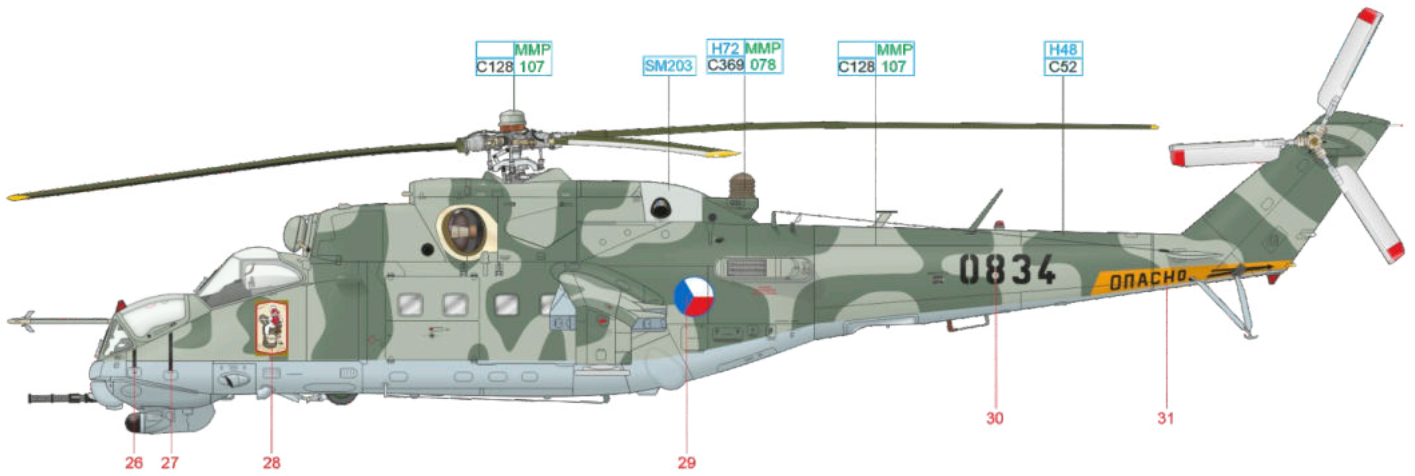




External fuel tanks

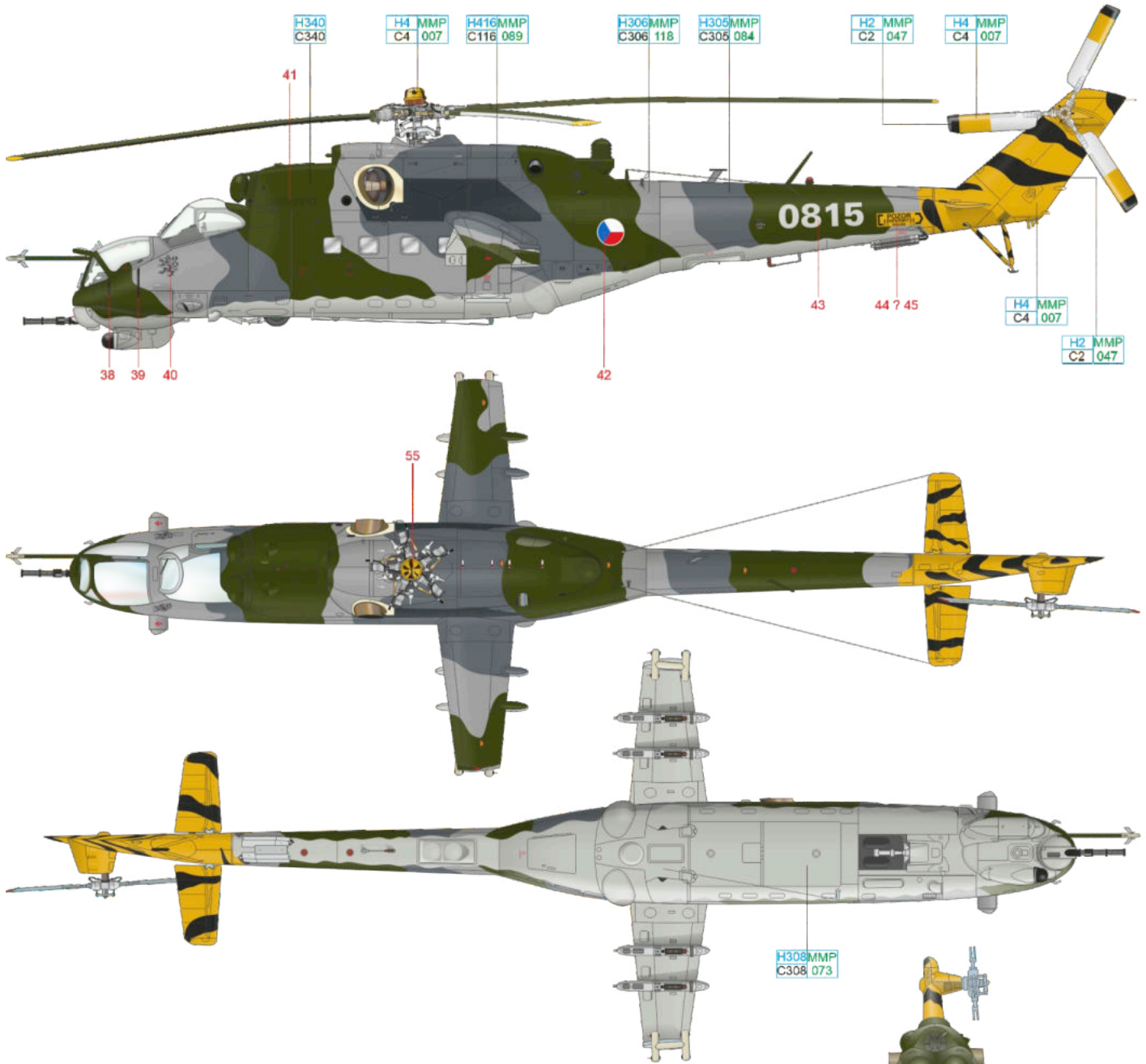


BLACK	H2 MMP C2 047	SKY BLUE	H25 C34	LIGHT BLUE	H323MMP C323 092
-------	------------------	-------------	------------	---------------	---------------------



Stenciling according to scheme A (use the black-marked decals)

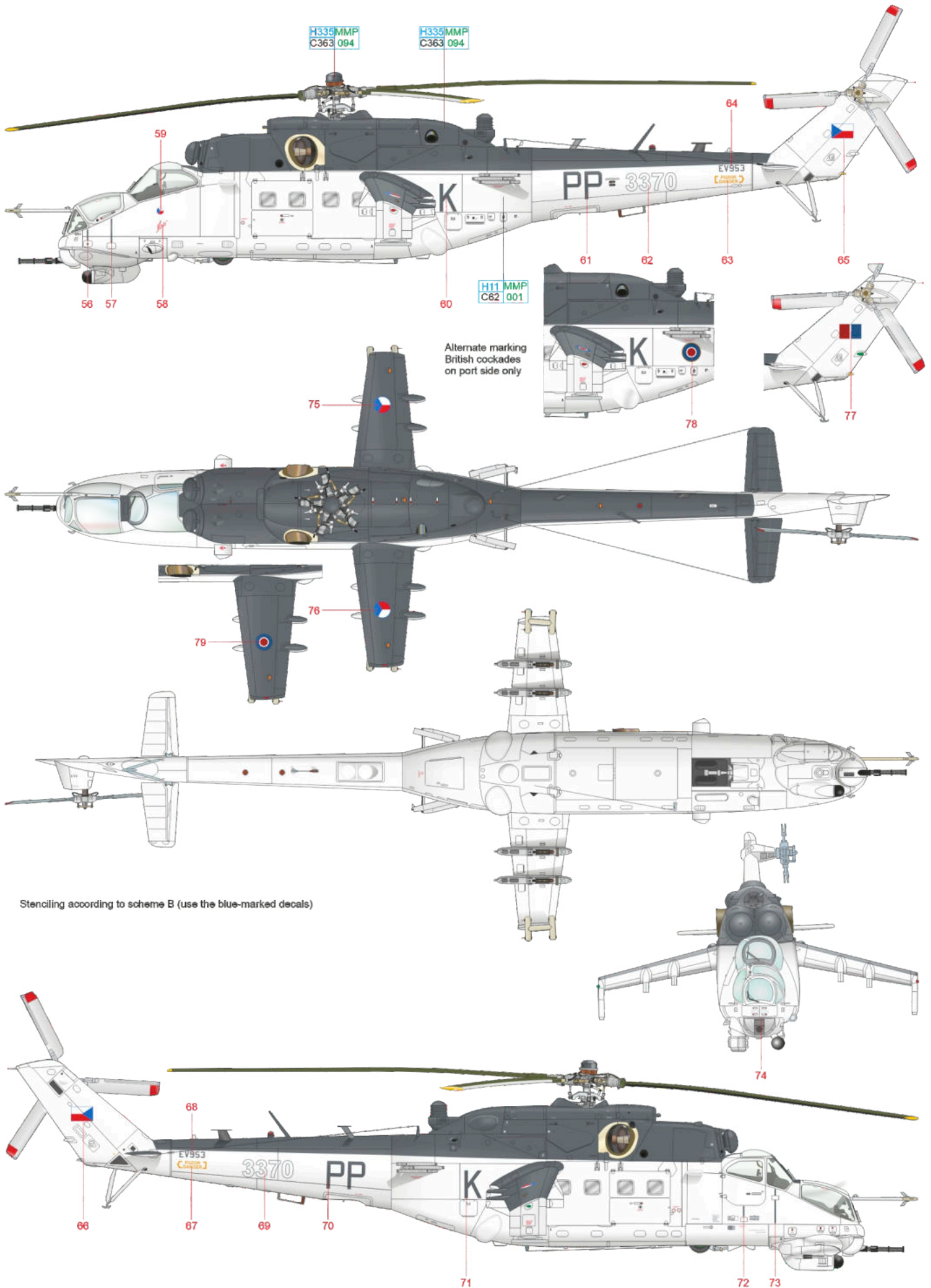




Stenciling according to scheme B (use the red-marked decals)
 Tail stenciling overpainted by „tiger” colours

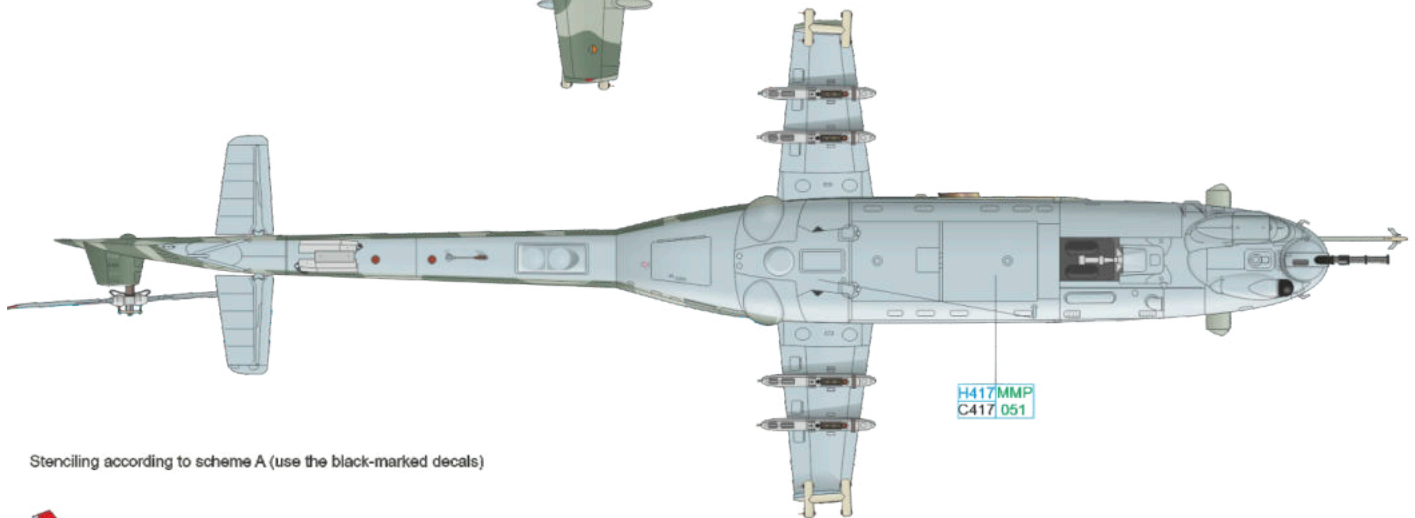
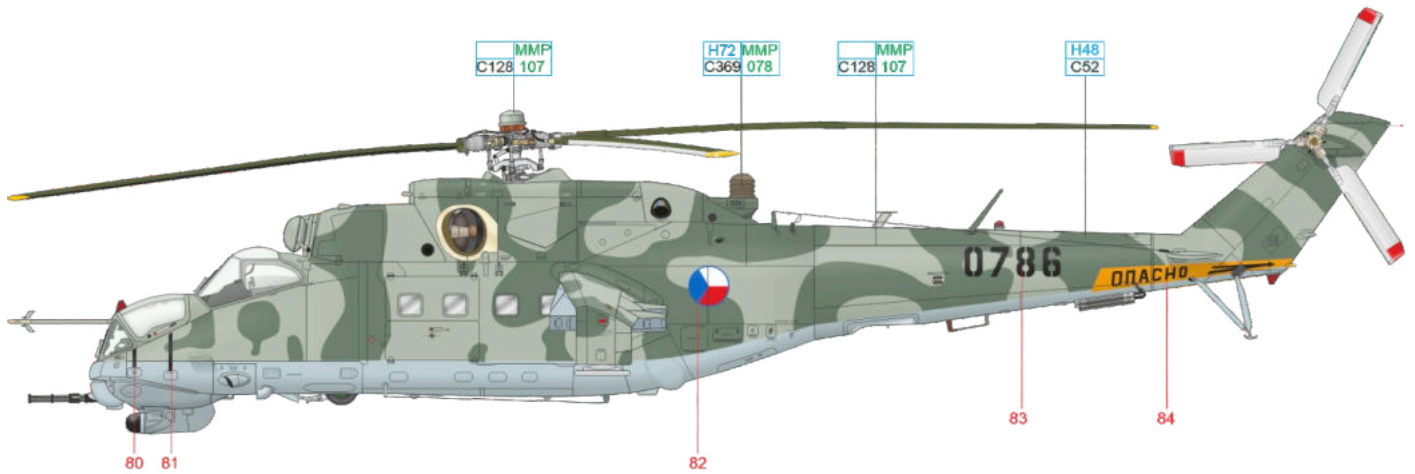


GRAY	H308MMP C308 073	GRAY	H305MMP C305 084	MEDIUM GRAY	H306MMP C306 118
ANTRACITE GRAY	H416MMP C116 089	YELLOW	H4 MMP C4 007	BLACK	H2 MMP C2 047
				FIELD GRAY	H340 C340



Stenciling according to scheme B (use the blue-marked decals)

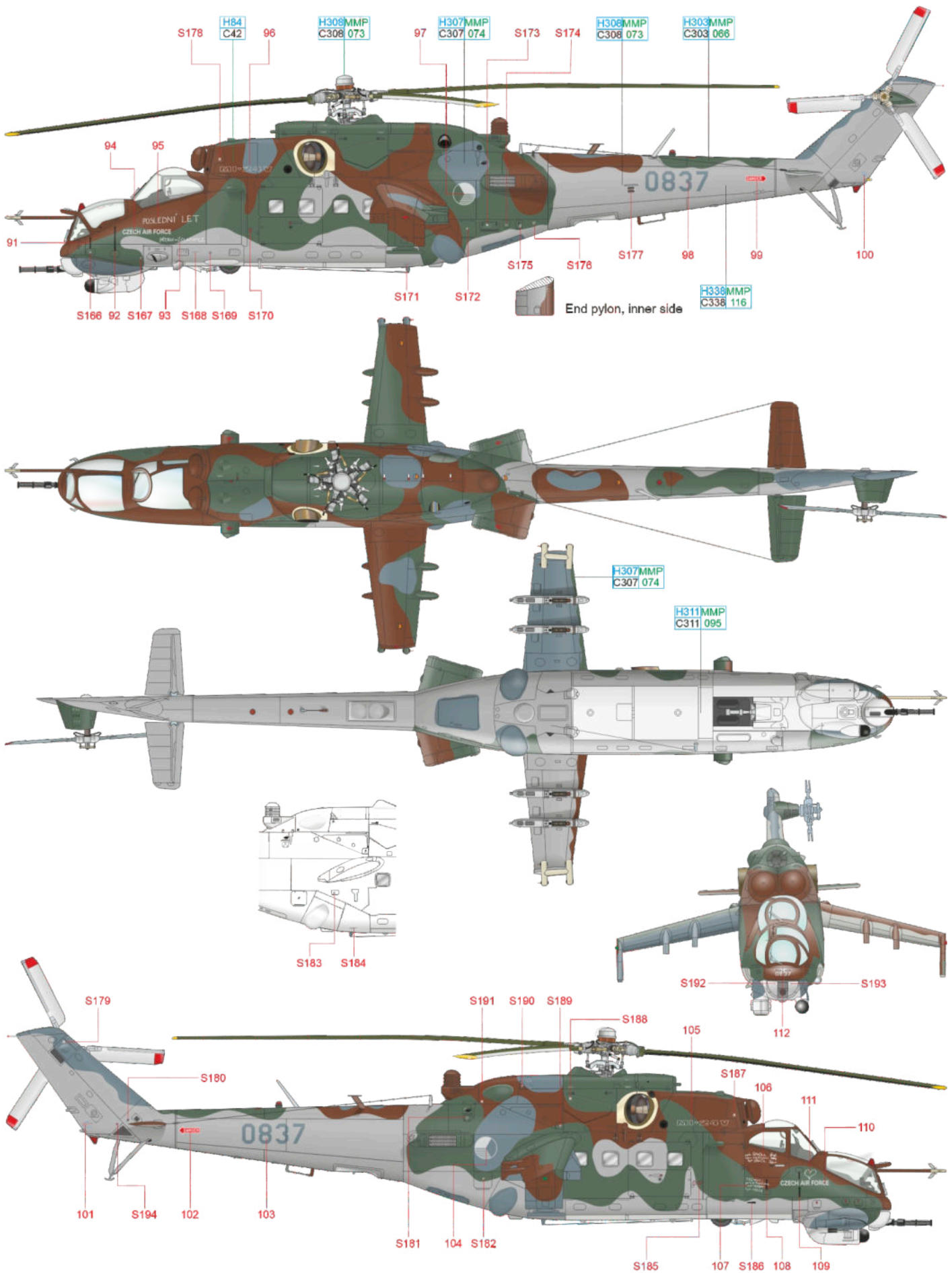
WHITE	H11 MMP C62 001	MEDIUM SEAGRAY	H335 MMP C363 094
-------	--------------------	----------------	----------------------



Stenciling according to scheme A (use the black-marked decals)



FIELD GRAY	H48 C52	GRAY GREEN	MMP C128 107	LIGHT BLUE	H417 MMP C417 051	DARK EARTH	H72 MMP C369 078
------------	---------	------------	--------------	------------	-------------------	------------	------------------



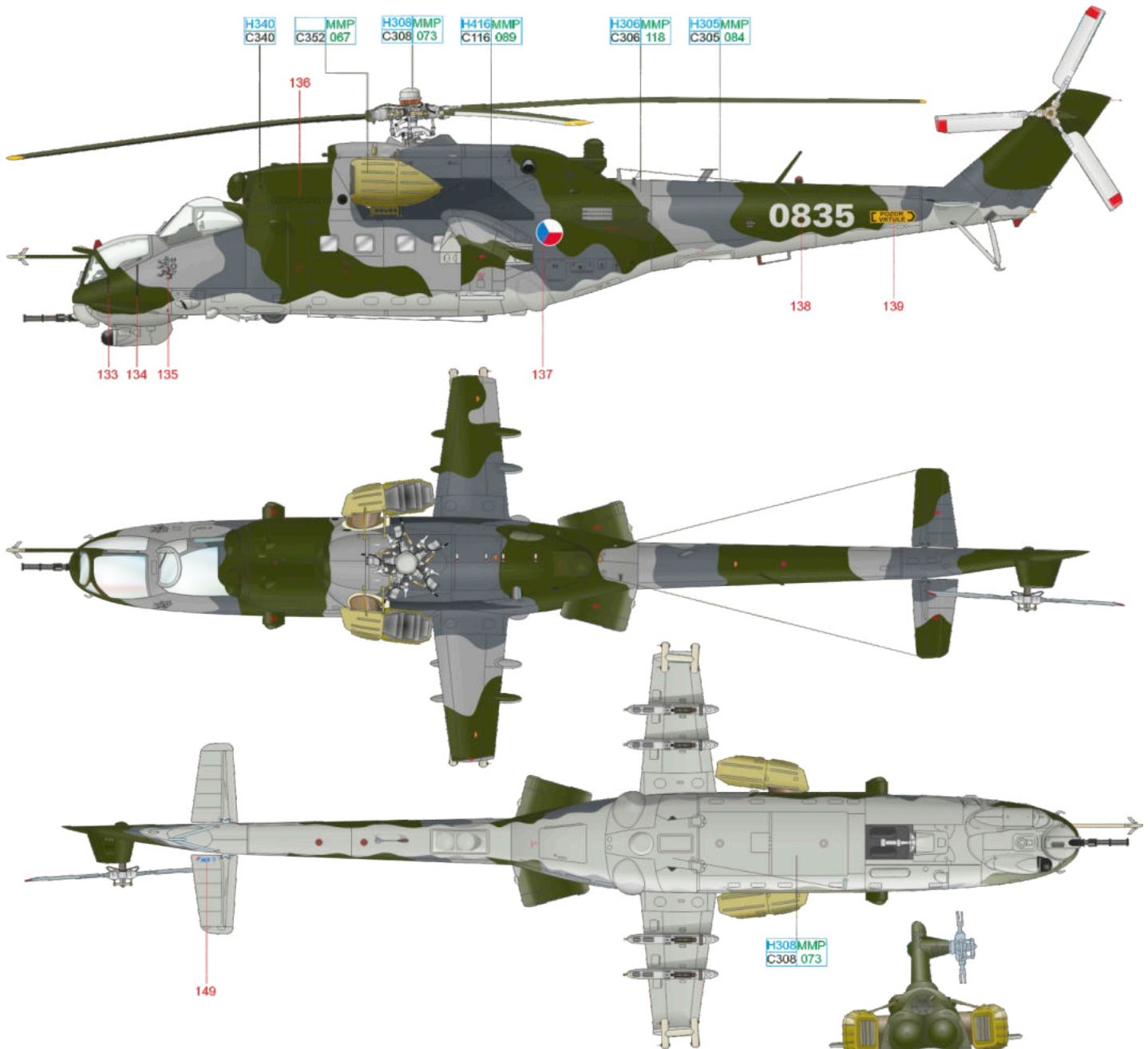
LIGHT GRAY	H311MMP C311 095	GRAY	H308MMP C308 073	DARK GRAY	H307MMP C307 074
DARK GREEN	H303MMP C303 066	MEDIUM GRAY	H338MMP C338 116	BROWN	H84 C42



Stenciling according to scheme B (use the red-marked decals)



GRAY	H308MMP C308 073	GRAY	H305MMP C305 084	MEDIUM GRAY	H306MMP C306 118
ANTRACITE GRAY	H416MMP C116 089	KHAKI	H81 MMP C55 023	FIELD GRAY	H340 C340
				DARK EARTH	H72 MMP C369 078



Stenciling according to scheme B (use the red-marked decals)



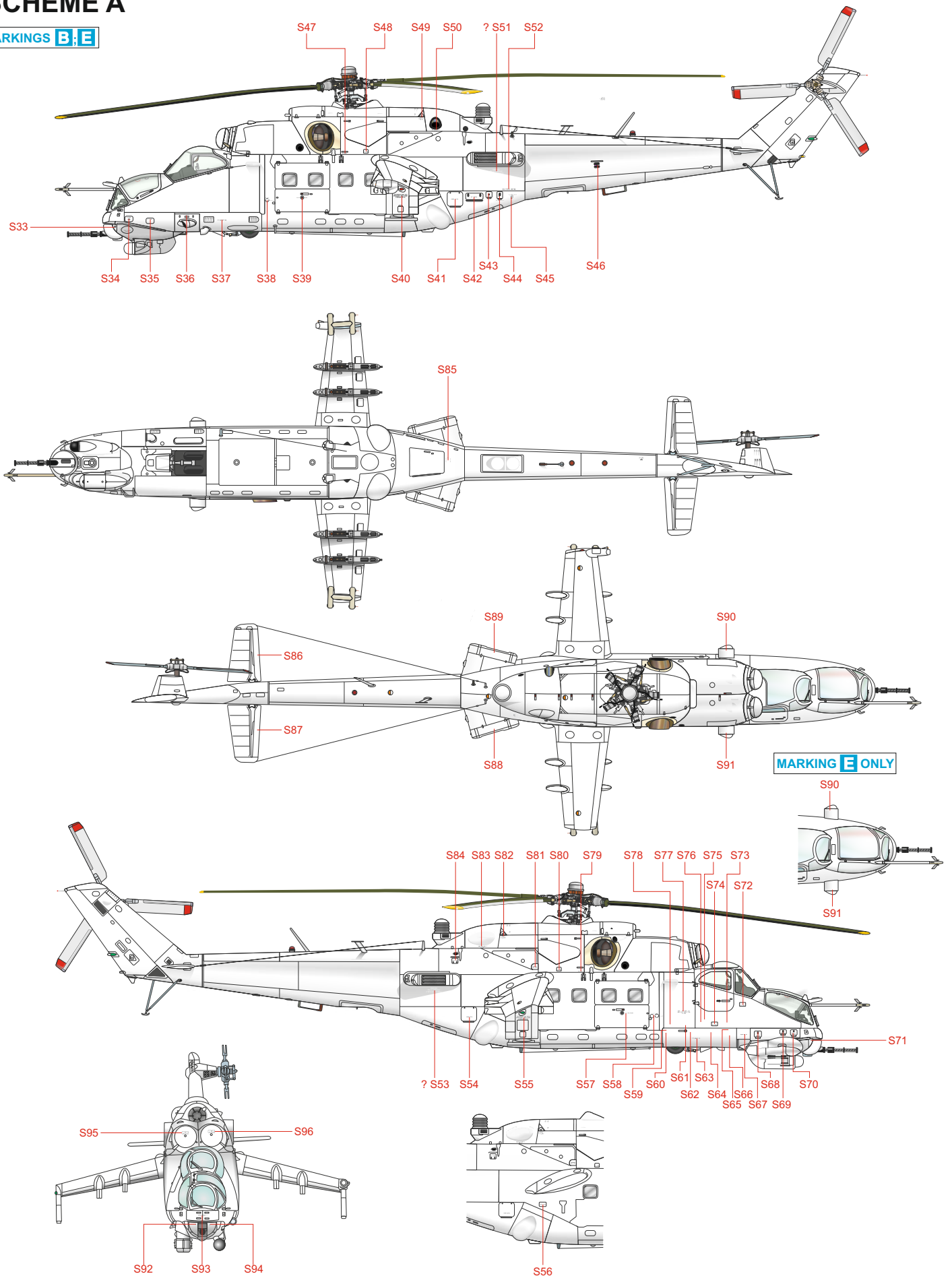
GRAY	H308MMP C308 073	GRAY	H305MMP C305 084	MEDIUM GRAY	H306MMP C306 118
ANTRACITE GRAY	H416MMP C116 089	YELLOW PRIMER	MMP C352 067	FIELD GRAY	H340 C340

HIND E

STENCILING POSITIONS

SCHEME A

MARKINGS **B;E**



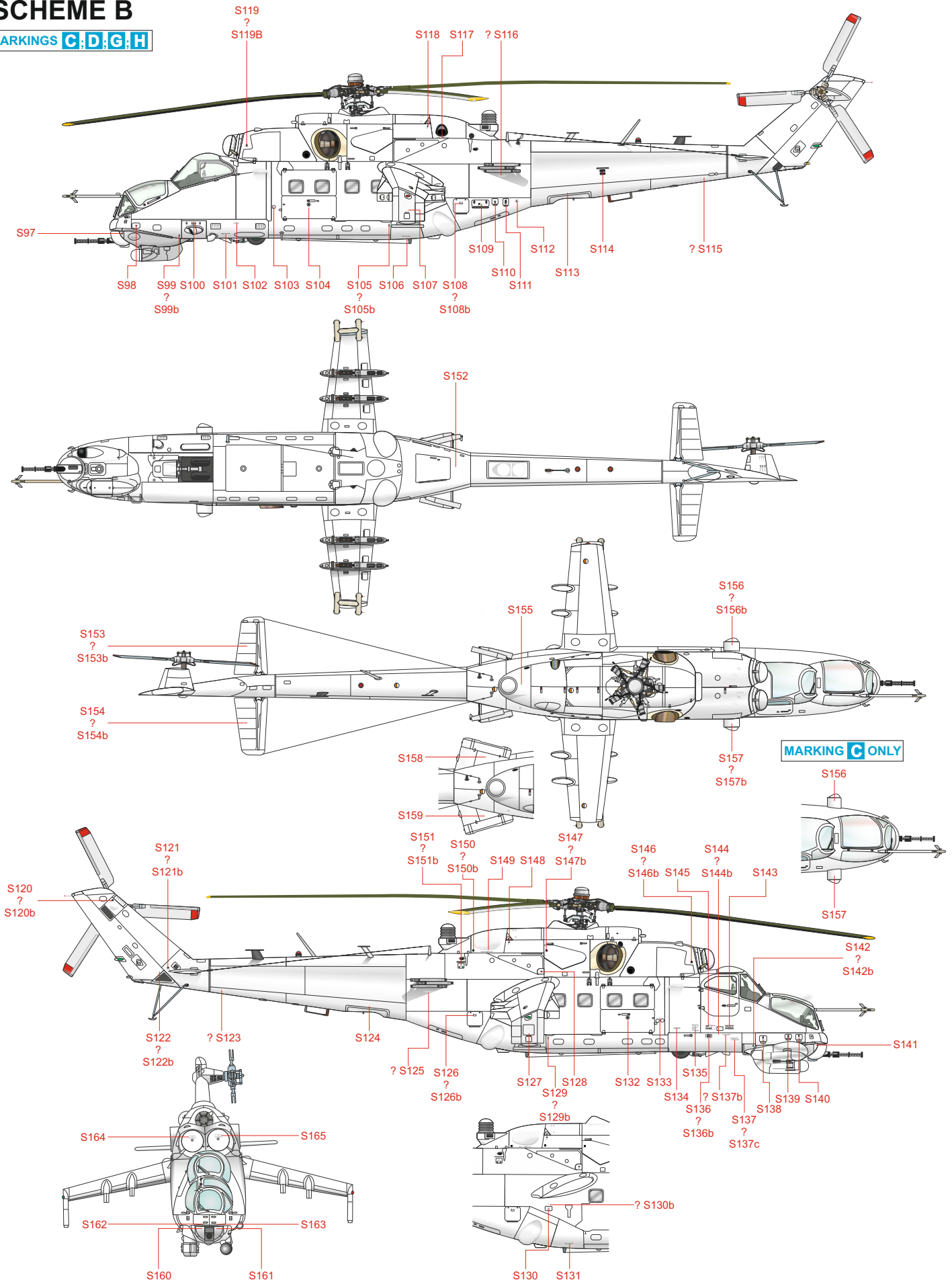
Stencils S51 and S53 for the marking B only

HIND E

STENCILING POSITIONS

SCHEME B

MARKINGS C;D;G;H



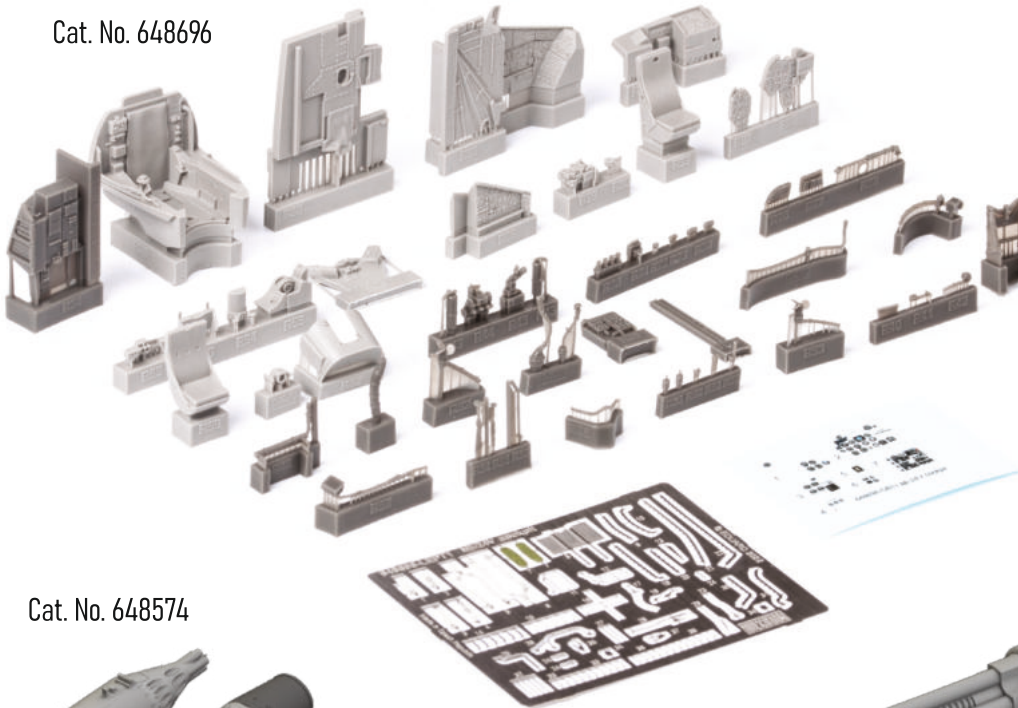
* Stencils S115 and S123 for marking C only
 * Stencils S116 and S125 for markings D, G and H only
 For the marking G use stencils with suffix "b" and use decals S137b + S137c instead of decal S137

- 481019 Mi-24 exterior (PE-Set)
- 491097 Mi-24 interior (PE-Set)
- FE1098 Mi-24V seatbelts STEEL (PE-Set)
- 644059 Mi-24V LööK (Brassin)
- 644085 Mi-24V LööKplus (Brassin)
- 648126 OFAB-100 Soviet bombs (Brassin)
- 648574 UB-32A-24 rocket launcher (Brassin)
- 648585 Mi-24V/VP Pitot tubes (Brassin)
- 648586 Mi-24VP GSh-23 cannon (Brassin)
- 648587 Mi-24V 9A624 machine gun (Brassin)
- 648696 Mi-24V cockpit (Brassin)
- ER48001 Mi-24V positive rivets & surface details (Eddie The Riveter)
- 3DL48001 Mi-24V SPACE (3D Decal Set)

Cat. No. 644059



Cat. No. 648696



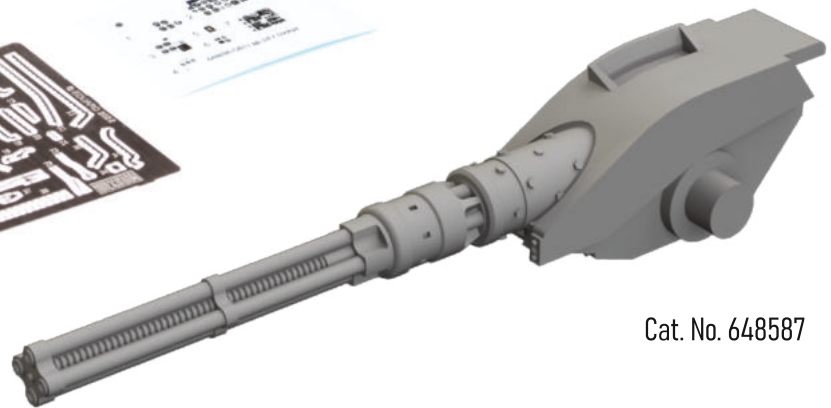
Cat. No. 648126



Cat. No. 648574



Cat. No. 648587



Cat. No. 648585

