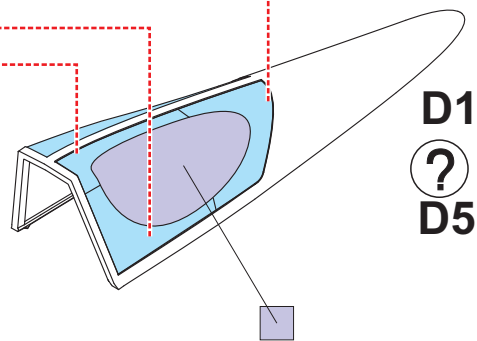
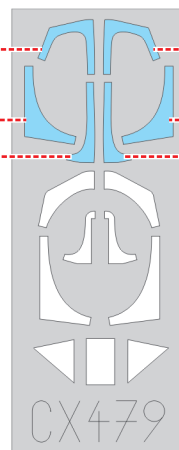
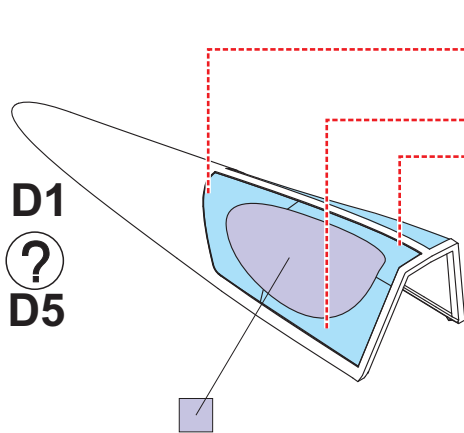
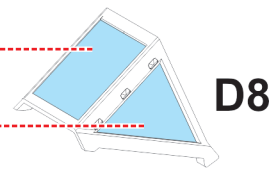
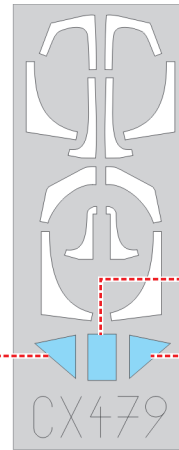
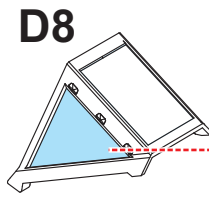
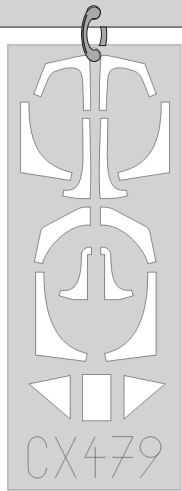


eduard
MASK

CX 479

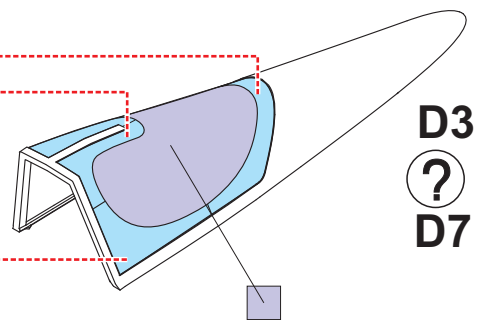
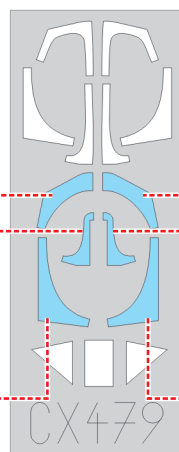
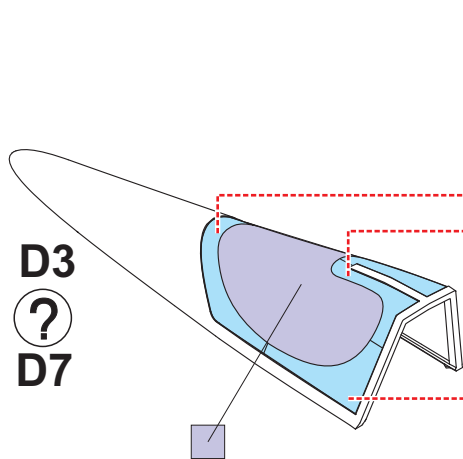
Fw 190F-8 1/72

The die-cut mask for accurate canopy frame painting of the
Eduard scale 1/72 KIT



LIQUID MASK

LIQUID MASK



LIQUID MASK

LIQUID MASK