

MQ-9 Reaper

The General Atomics MQ-9 Reaper (sometimes called Predator B) is an unmanned aerial vehicle (UAV) capable of remotely controlled or autonomous flight operations developed by General Atomics Aeronautical Systems (GA-ASI) primarily for the United States Air Force (USAF). The MQ-9 and other UAVs are referred to as Remotely Piloted Vehicles/Aircraft (RPV/RPA) by the USAF to indicate their human ground controllers.

The MQ-9 is the first hunter-killer UAV designed for long-endurance, high-altitude surveillance.

A typical MQ-9 system consists of multiple aircraft, ground control station, communications equipment, maintenance spares, and personnel. A military flight crew includes a pilot, sensor operator, and Mission Intelligence Coordinator. The aircraft is powered by a 950 horsepower (710 kW) turboprop, with a maximum speed of about 260 knots (480 km/h; 300 mph) and a cruising speed of 150–170 knots (170–200 mph; 280–310 km/h). With a 66 ft (20 m) wingspan, and a maximum payload of 3,800 lb (1,700 kg), the MQ-9 can be armed with a variety of weaponry, including Hellfire missiles and 500-lb laser-guided bomb units. Endurance is 30 hours when conducting ISR missions, which decreases to 23 hours if it is carrying a full weapons load. The Reaper has a range of 1,000 nmi (1,150 mi; 1,850 km)[dubious – discuss] and an operational altitude of 50,000 ft (15,000 m), which makes it especially useful for long-term loitering operations, both for surveillance and support of ground troops.

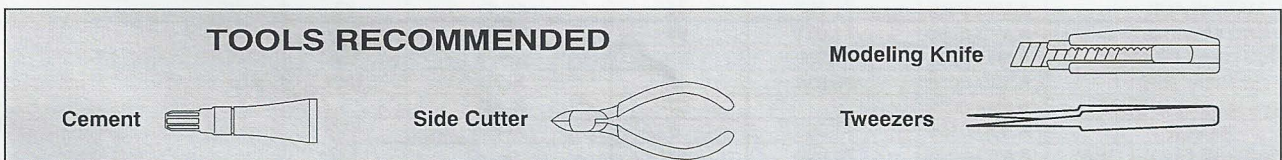
CAUTION

- *Read carefully and fully understand the instructions before commencing assembly.
- *Keep out of reach of children. Children must not be allowed to put any parts in their mouths, or pull plastic bag over their heads.
- *When using adhesives and paints, please make sure not to use them in closed room or near the fire.
- *When assembling this kit, tools including knives are used. Extra care should be taken to avoid injury.

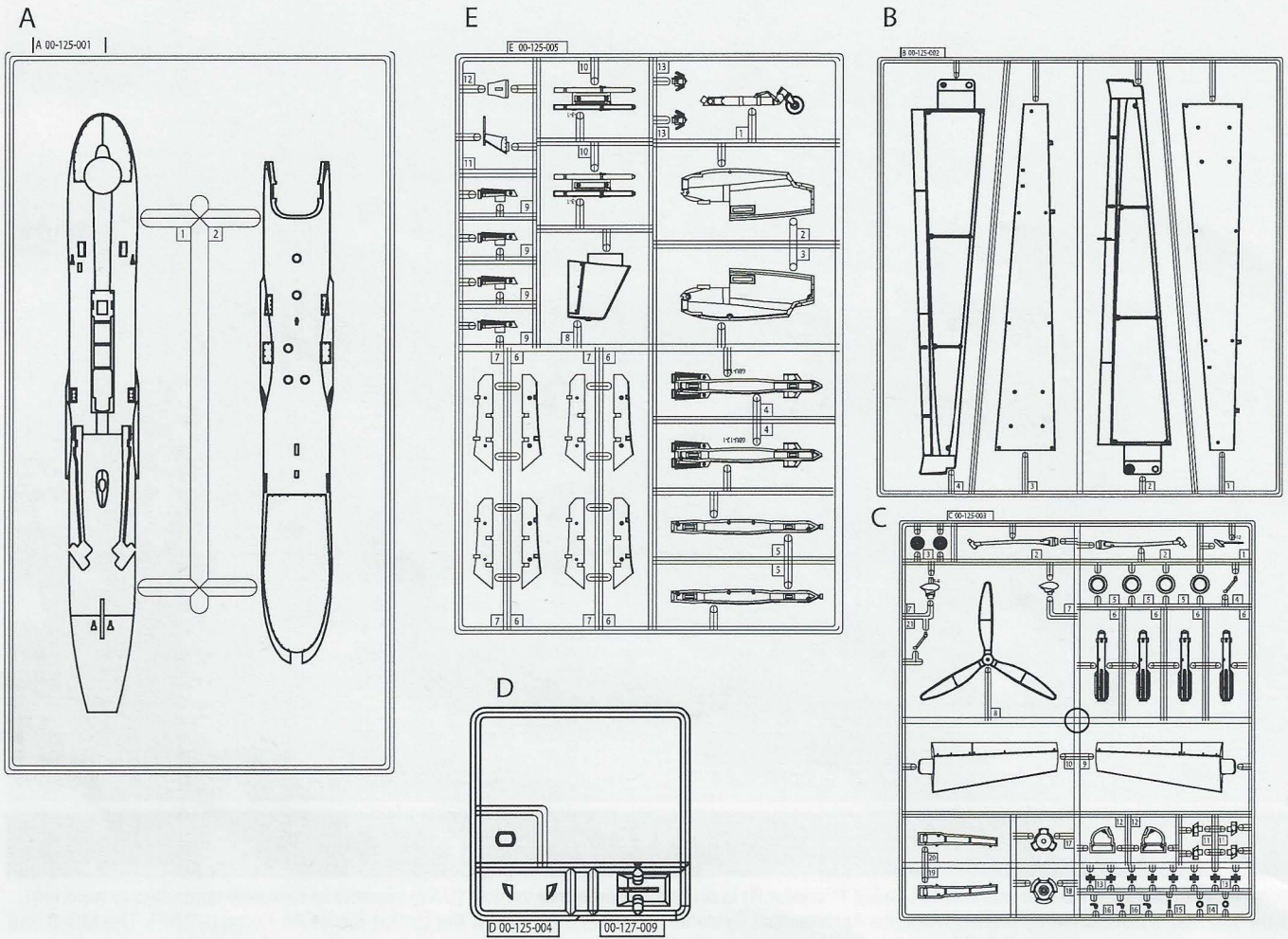
WARNING: CONTAIN SMALL PARTS NOT FOR CHILDREN UNDER 14 YEARS OF AGE.



TOOLS RECOMMENDED



1/48 SCALE AIRCRAFT SERIES NO: K48067



AFTERMARKET SERVICES CARD

When requesting replacement parts, please take or send this form to your local dealer so that the parts required can be correctly identified. Please note that specifications and availability are subject to change without notice.

or visit <http://www.kineticmodel.com> for latest information.

For more information, please contact services@kineticmodel.com

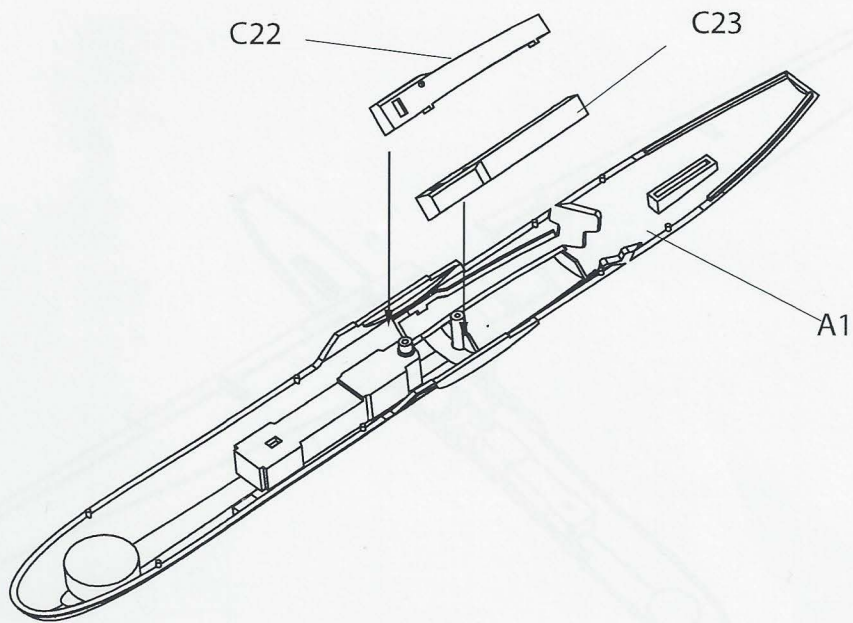
| Part Code | K48067 | Qty | Item |
|--------------|-----------------------|-----|------|
| 00-125-001 | Main Fuselage | 1 | A |
| 00-125-002 | Wing Parts | 1 | B |
| 00-125-003 | Body Parts | 1 | C |
| 00-125-004 | Clear Parts | 1 | D |
| 00-125-005 | Missile, Engine Parts | 1 | E |
| 01-125-48067 | 1/48 MQ-9 Decal Sheet | 1 | |



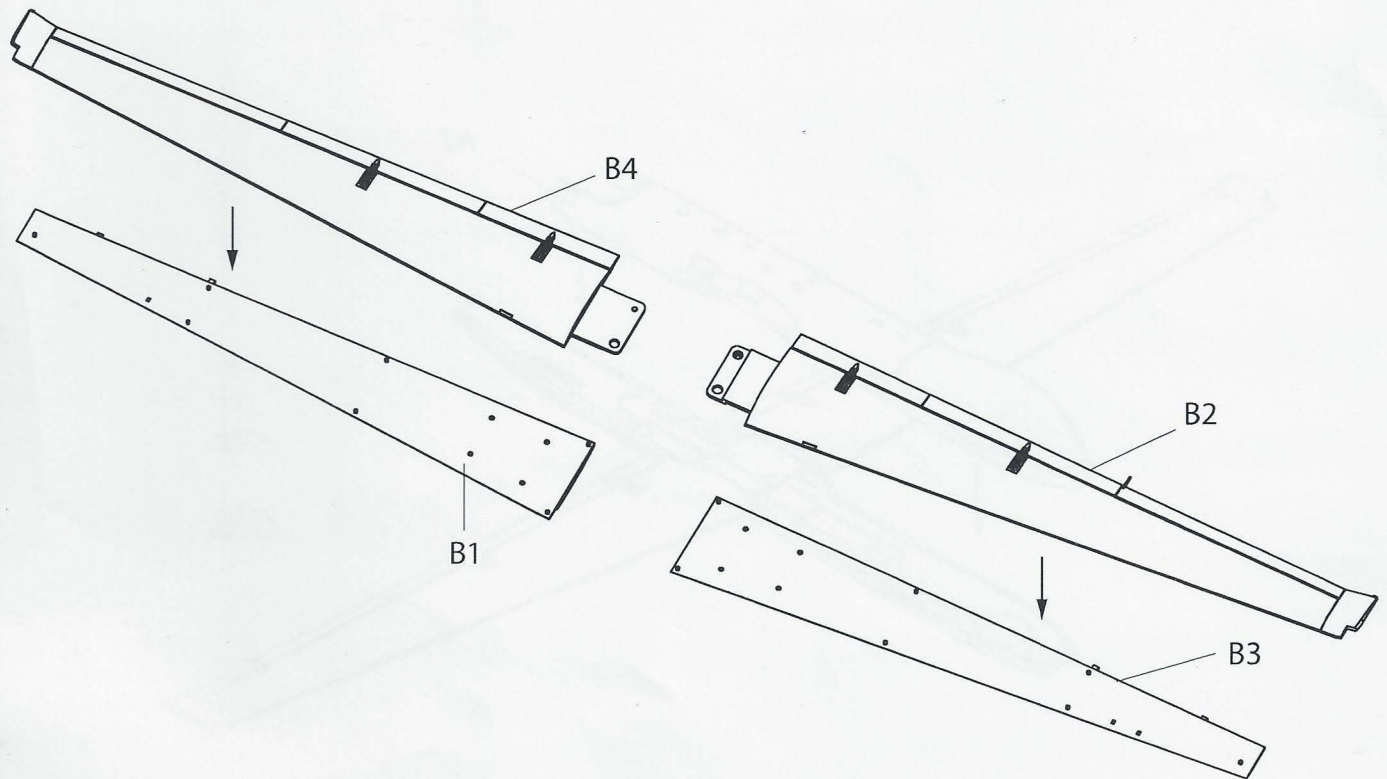
PAINT INDEX

| COLOR | AMMO MIG | VALLEJO MODEL COLOR | GSI CREOS MR. COLOR | TAMIYA ENAMEL/ACRYLIC | HUMBROL ENAMEL |
|--------------------------|------------|---------------------|---------------------|-----------------------|----------------|
| SATIN BLACK | A.MIG-0032 | 70.861 | 2 | XF-1 | 87 |
| TYRE BLACK | A.MIG-0033 | 71.315 | 137 | XF-85 | 87 |
| MATT BLACK | A.MIG-0046 | 71.057 | 33 | XF-1 | 33 |
| MATT WHITE | A.MIG-0050 | 71.001 | 62 | XF-2 | 34 |
| OLIVE DRAB FS 24087 | A.MIG-0081 | 71.289 | 304 | XF-73 | 155 |
| CRYSTAL RED | A.MIG-0093 | 70.934 | 47 | X-27 | 1321 |
| CRYSTAL LIGHT BLUE | A.MIG-0098 | - | 50 | X-23 | - |
| SILVER | A.MIG-0195 | 71.063 | 8 | X-11 | 191 |
| LIGHT COMPASS GHOST GRAY | A.MIG-0203 | 70.990 | 308 | - | 127 |
| DARK OLIVE DRAB | A.MIG-0237 | 71.016 | 12 | XF-62 | 33 |
| INTERMEDIATE BLUE | A.MIG-0228 | 71.299 | - | XF-66 | - |
| MAGNESIUM | A.MIG-8214 | 77711 | 212 | XF-84 | - |

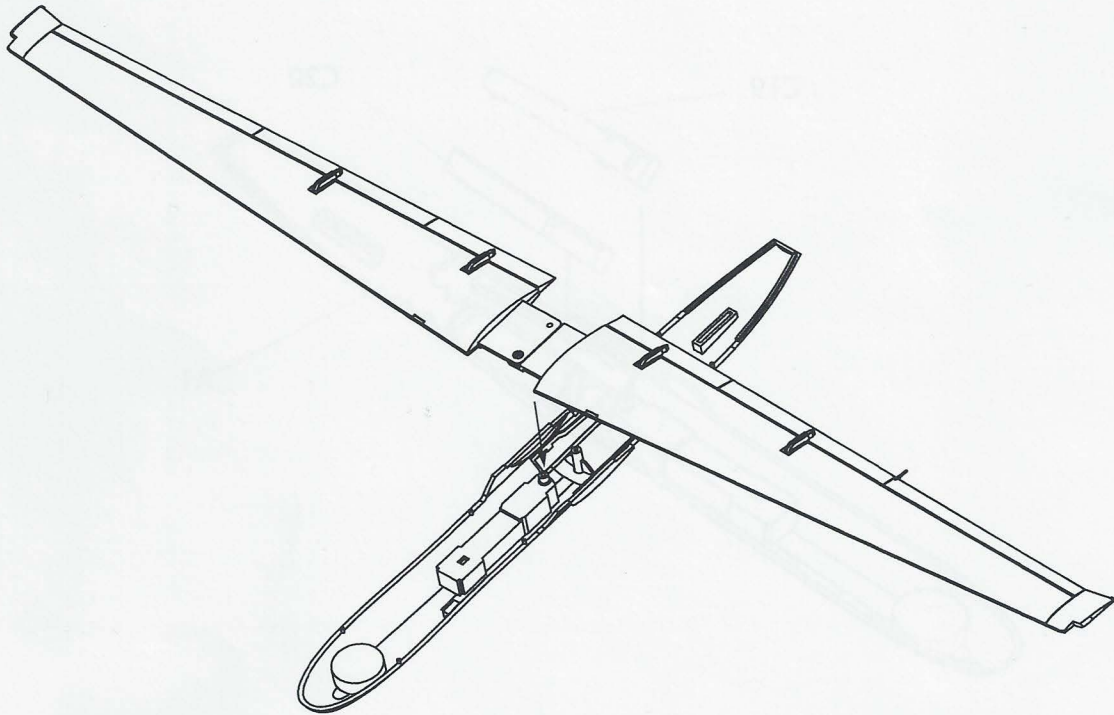
1 Landing Gear base



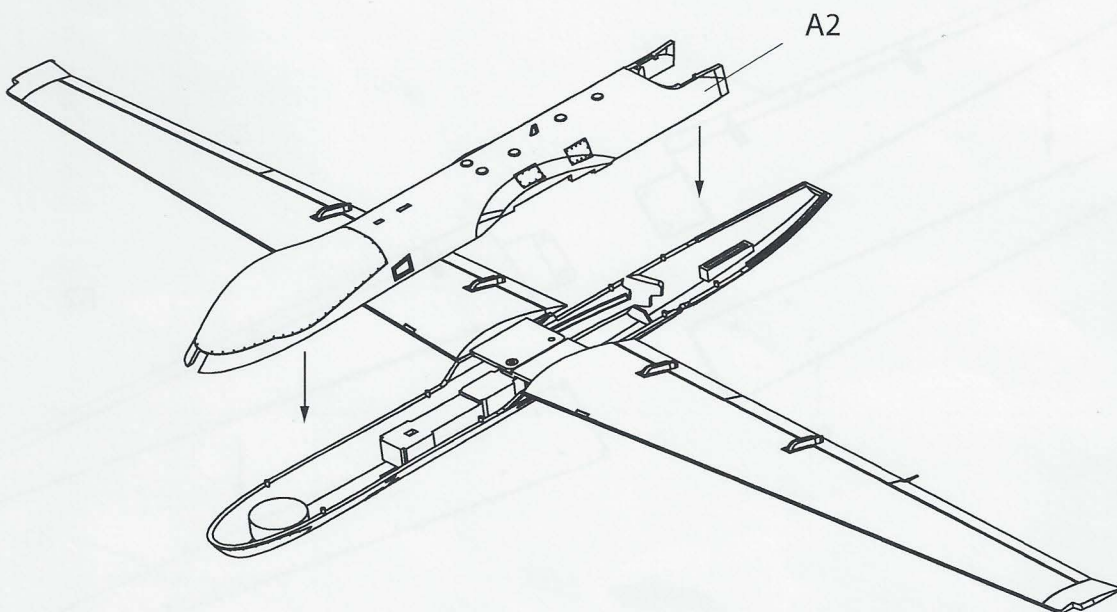
2 Main Wing Assembly



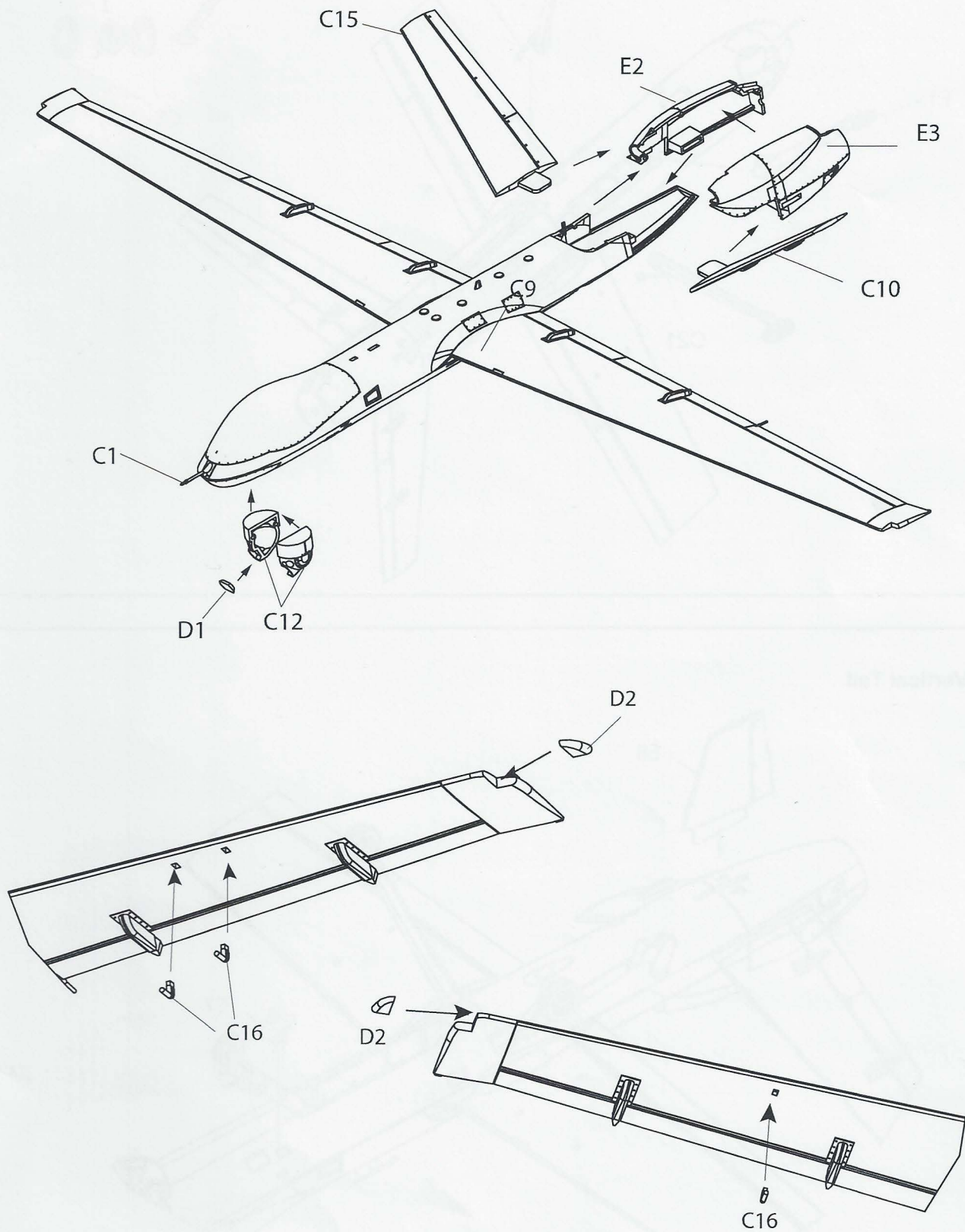
3 Attaching Main Wing to Fueslage



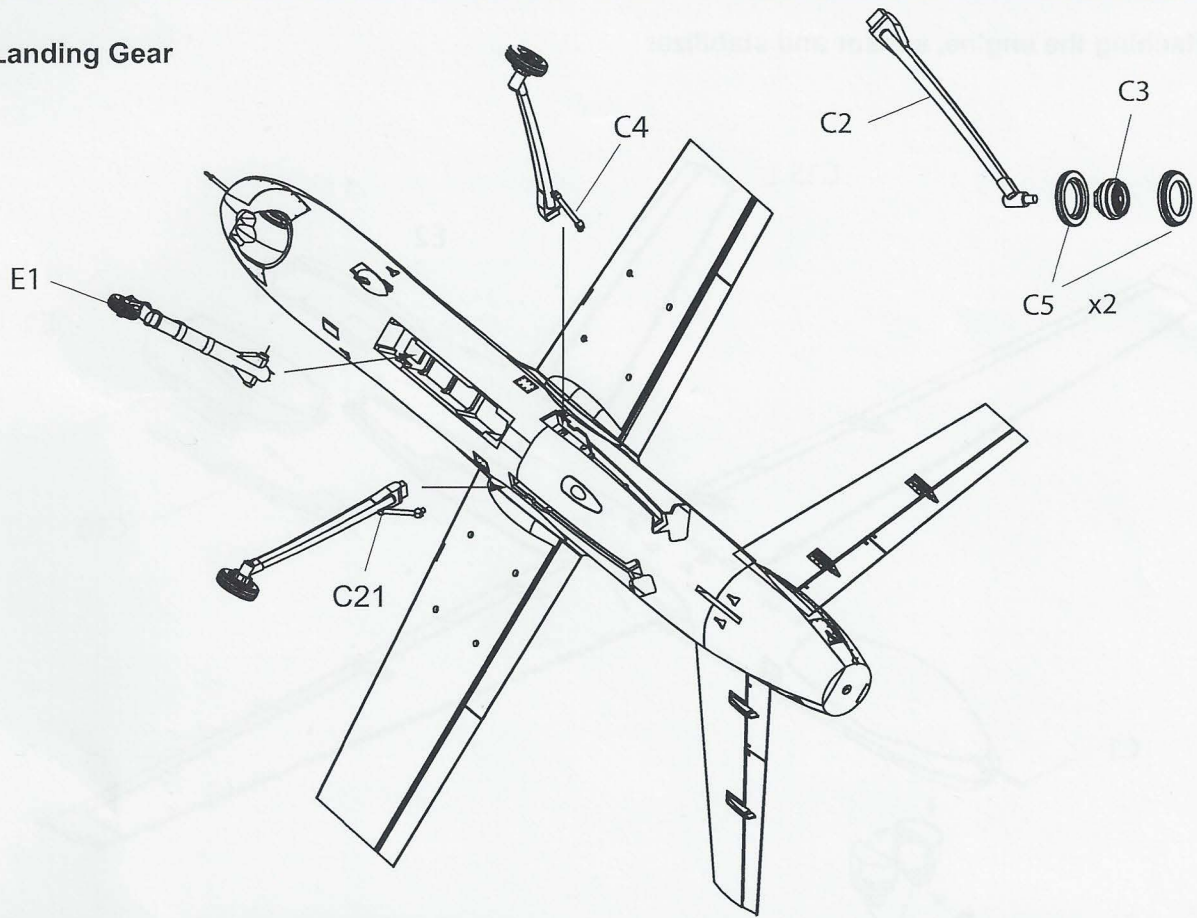
4 Joining the upper fueslage



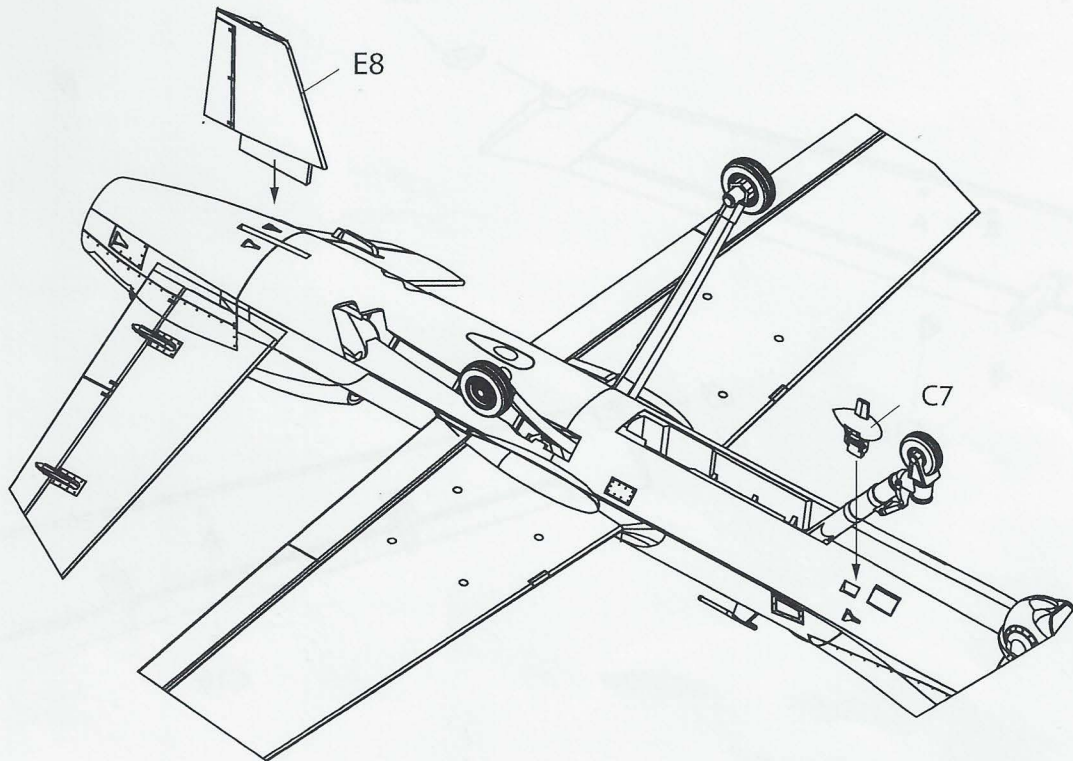
5 Attaching the engine, sensor and stabilizer



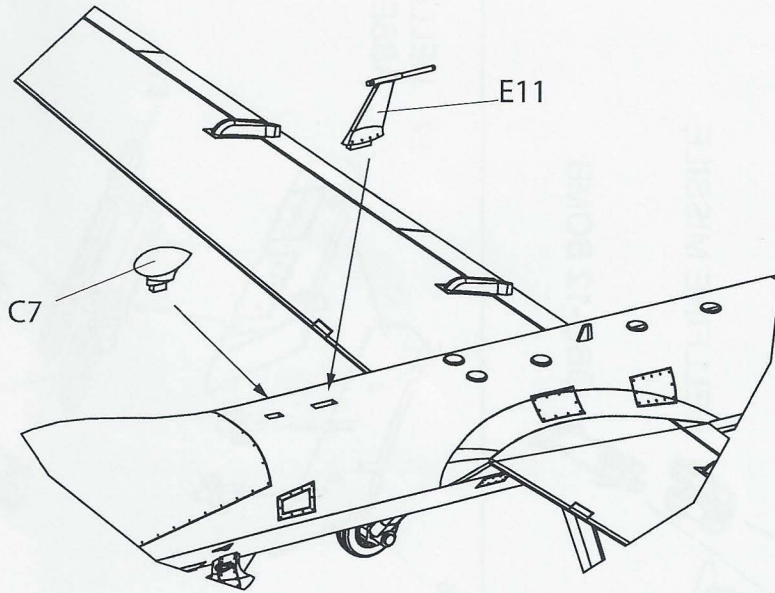
6 Landing Gear



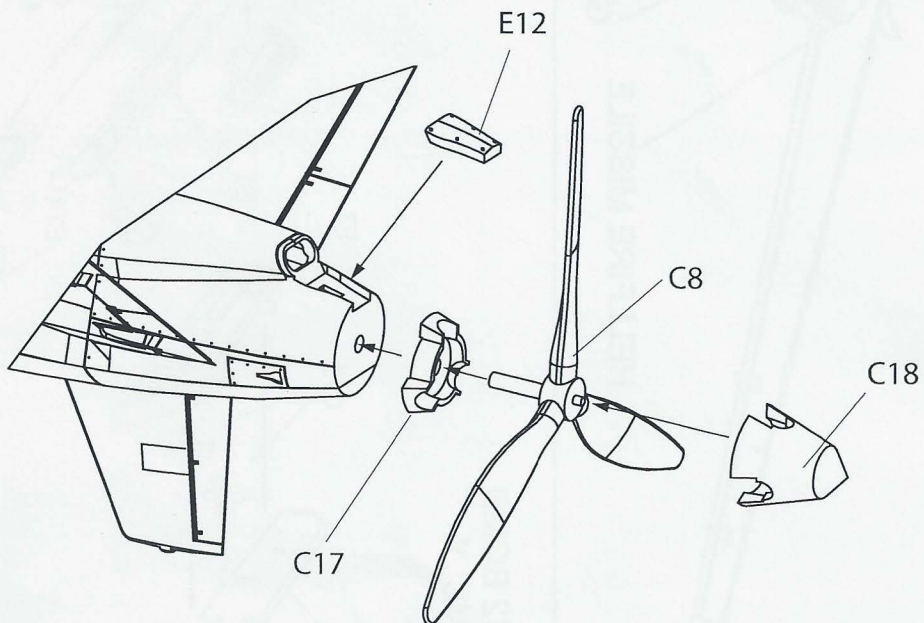
7 Vertical Tail



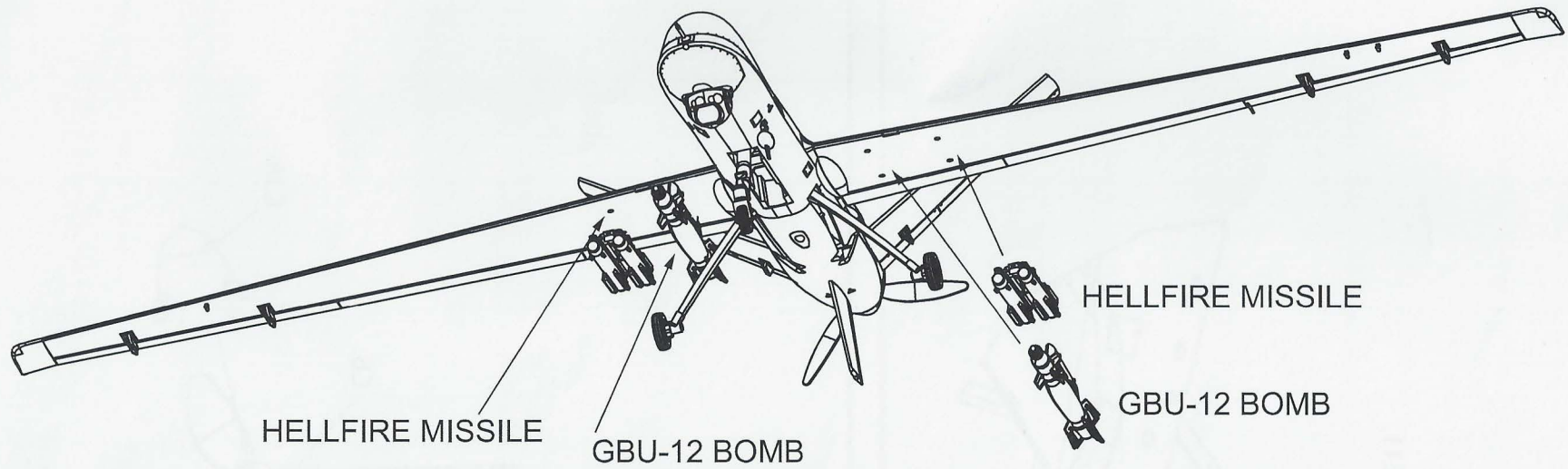
8 Upper Fueslage Parts



9 Propeller assembly

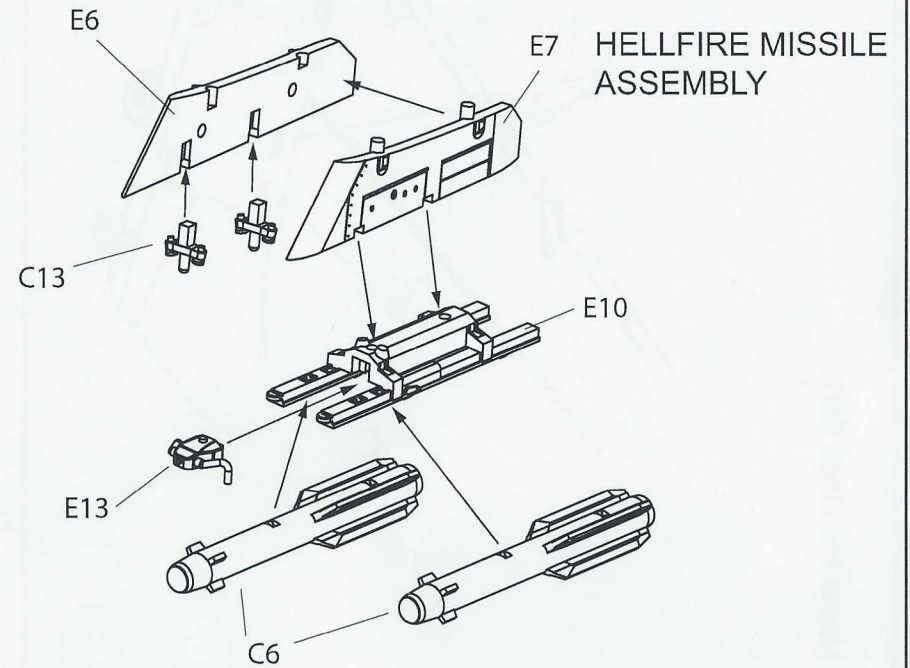
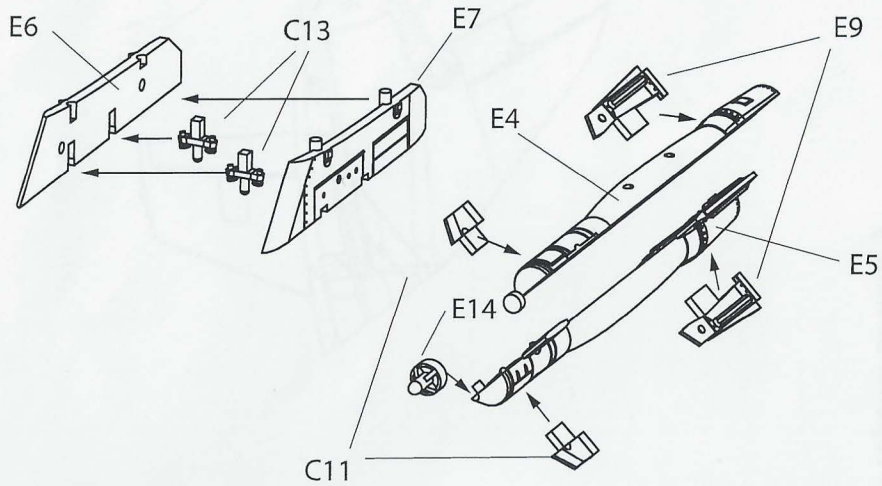


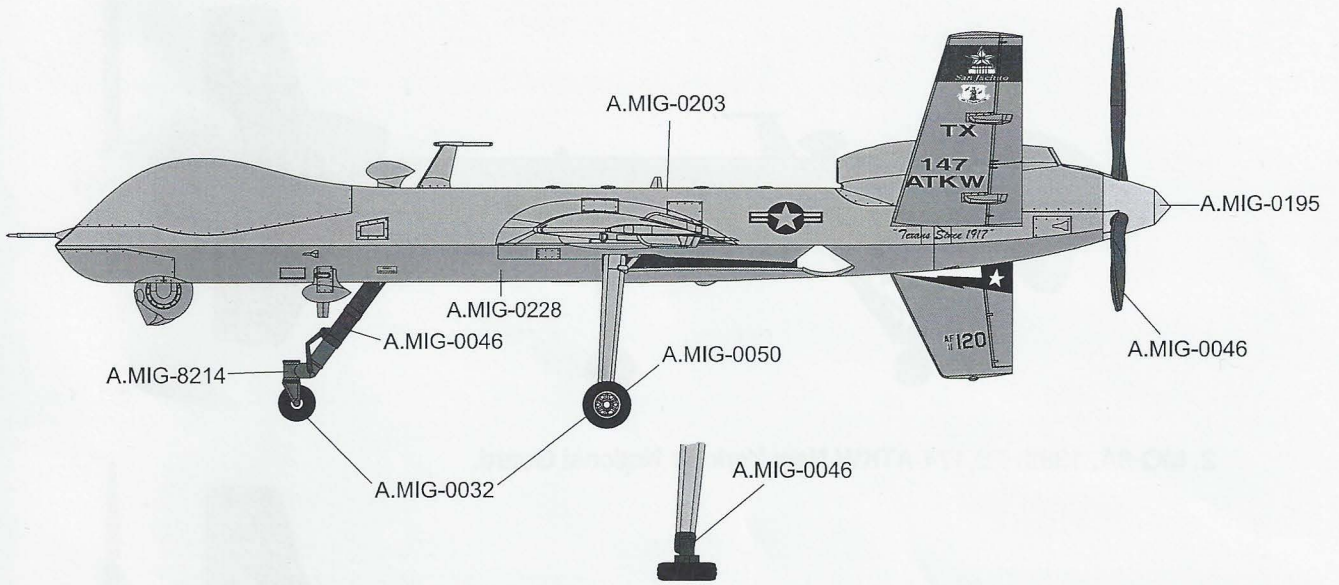
10



P8

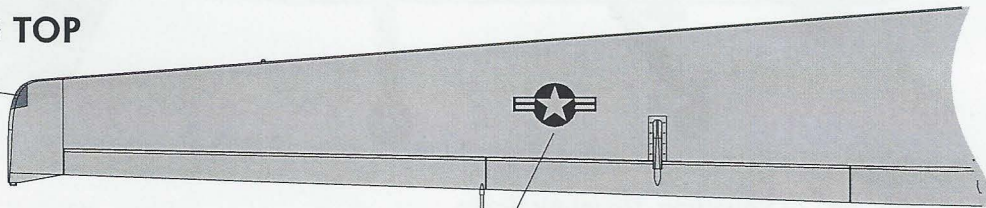
GBU-12 BOMB ASSEMBLY





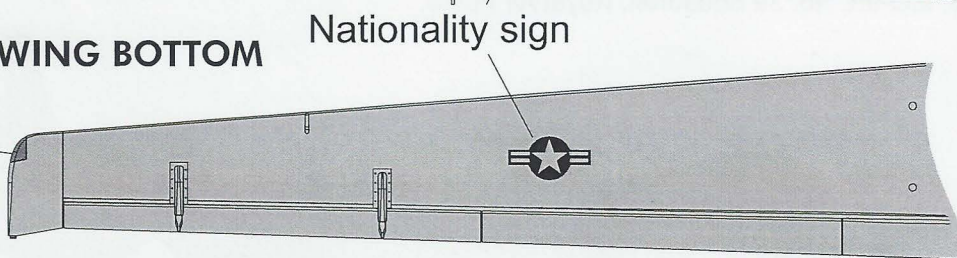
PORT WING TOP

A.MIG-0093



STARBOARD WING BOTTOM

A.MIG-0098



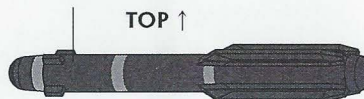
A.MIG-0237

TOP ↑



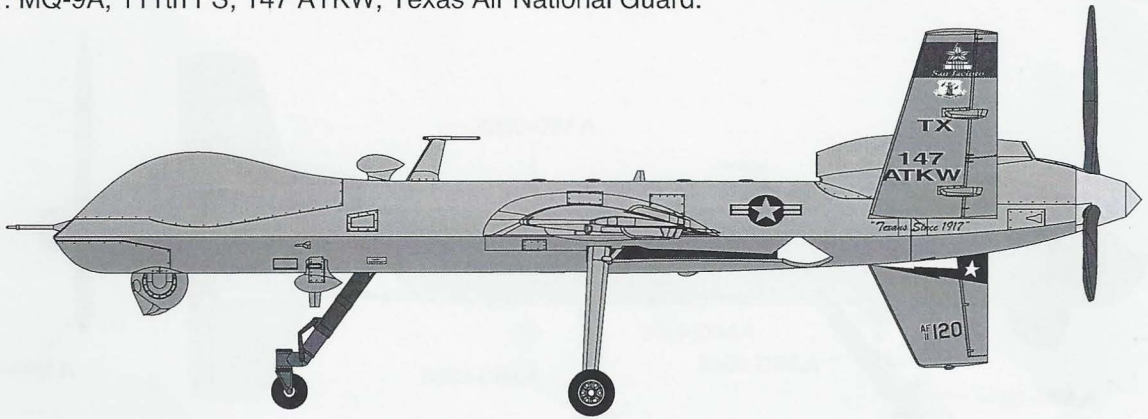
A.MIG-0237

TOP ↑

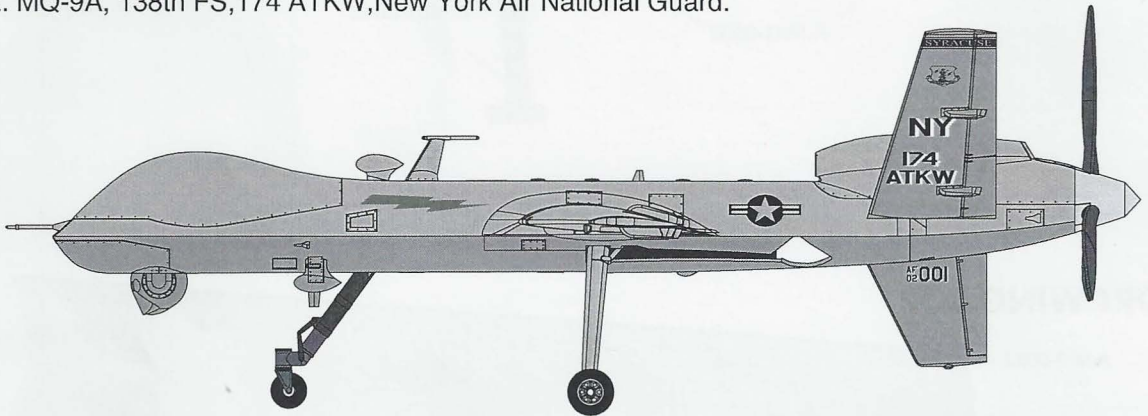


1/48 SCALE AIRCRAFT SERIES NO: K48067

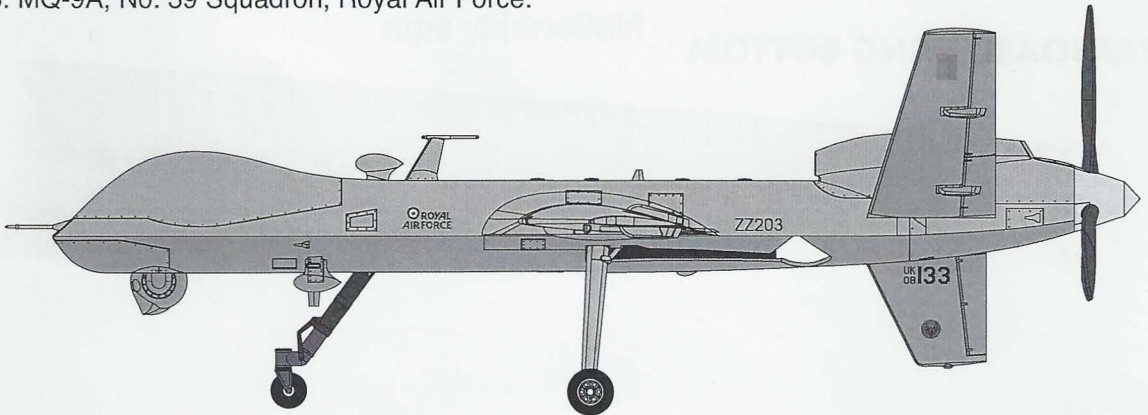
1. MQ-9A, 111th FS, 147 ATKW, Texas Air National Guard.



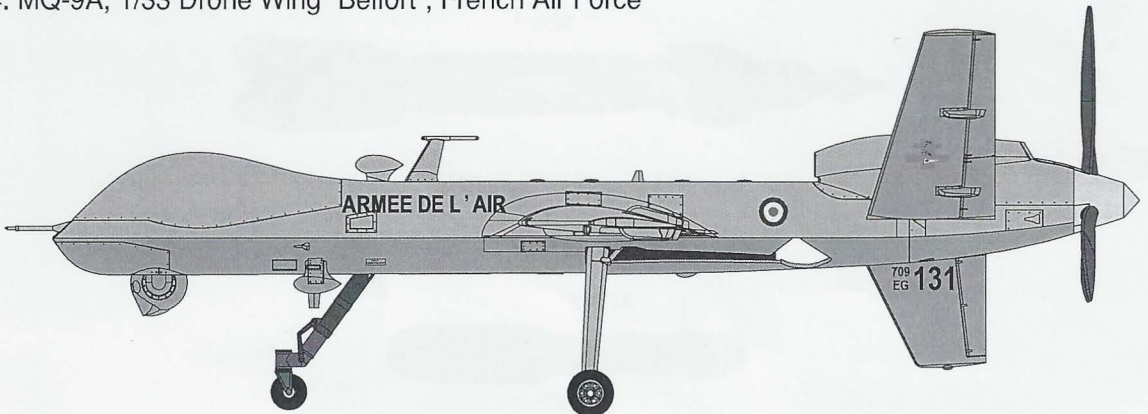
2. MQ-9A, 138th FS, 174 ATKW, New York Air National Guard.



3. MQ-9A, No. 39 Squadron, Royal Air Force.

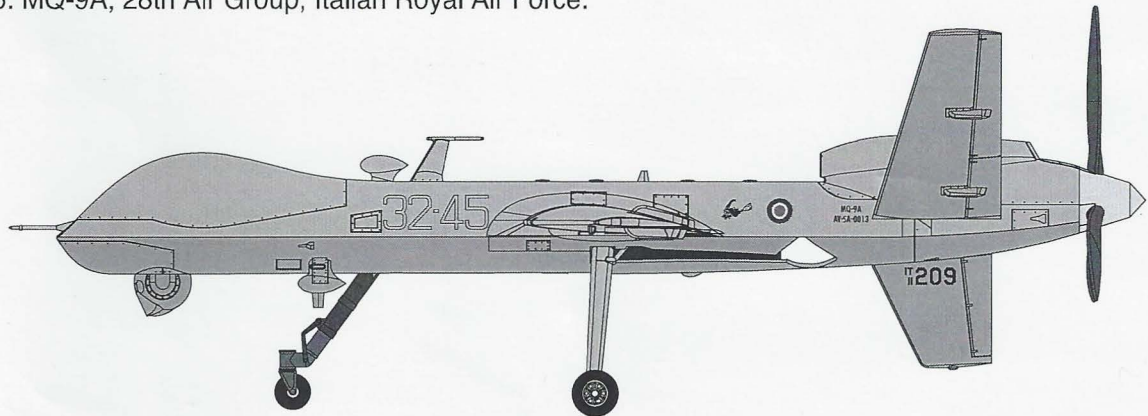


4. MQ-9A, 1/33 Drone Wing "Belfort", French Air Force

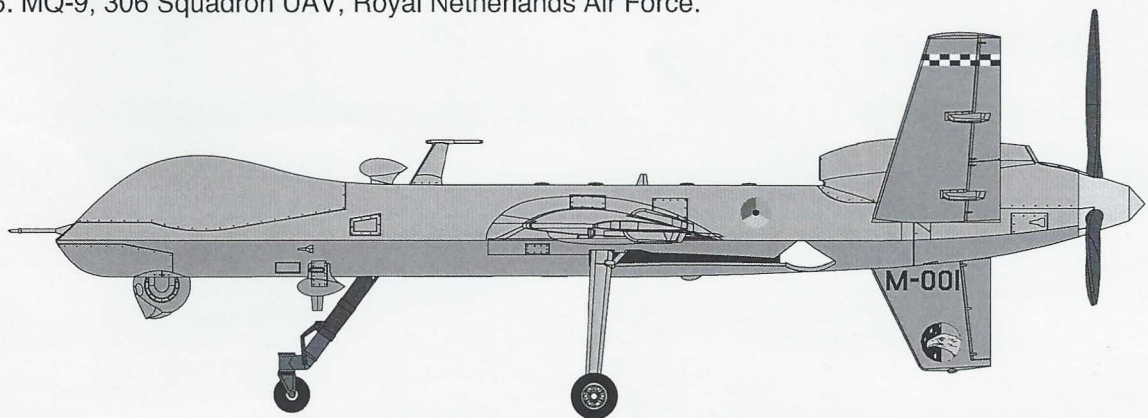


1/48 SCALE AIRCRAFT SERIES NO: K48067

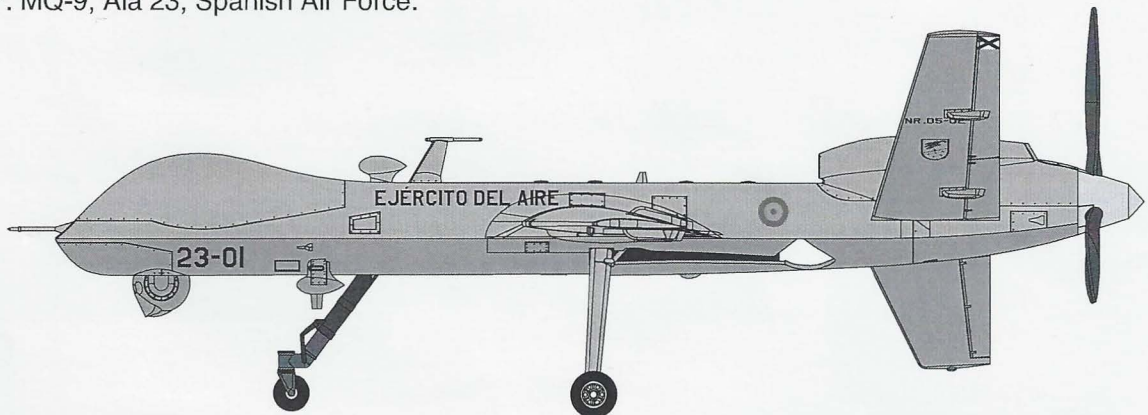
5. MQ-9A, 28th Air Group, Italian Royal Air Force.



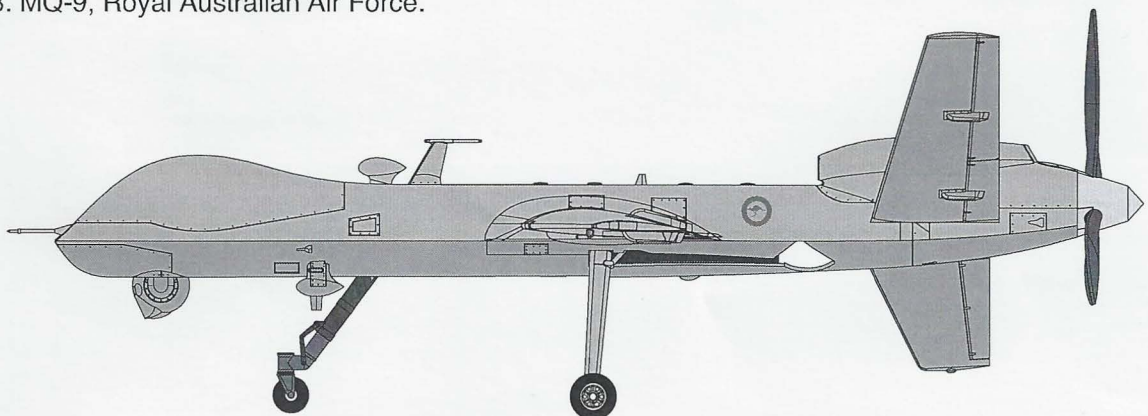
6. MQ-9, 306 Squadron UAV, Royal Netherlands Air Force.



7. MQ-9, Ala 23, Spanish Air Force.



8. MQ-9, Royal Australian Air Force.



15 14 13 12 11 10 9 8 7 6 5 4 3 2 1



32-42 32-42 32-45 32-45

A TX B TX C AF II 120 E AF 02 001 "Texans Since 1917" NR.05-02



M-001

G H D AF II 120 F AF 02 001 "Texans Since 1917" NR.05-02

M-001

NY NY



23-01 23-01

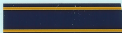


SYRACUSE

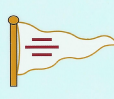
SYRACUSE



I 147 J 147 K 174 L 174



ATKW ATKW ATKW ATKW



ARMEE DE L' AIR ARMEE DE L' AIR EJERCITO DEL AIRE EJERCITO DEL AIRE



M N O P

ZZ200 ZZ201 ZZ202 ZZ203 ZZ204 ZZ205 ZZ206 ZZ207 ZZ208 ZZ209 ZZ210

ZZ200 ZZ201 ZZ202 ZZ203 ZZ204 ZZ205 ZZ206 ZZ207 ZZ208 ZZ209 ZZ210

UK 07 109 UK 07 III UK 08 132 UK 08 133 UK 10 157 UK 10 162 UK 12 707 UK 12 708 UK 12 709 UK 12 710 UK 12 711

UK 07 109 UK 07 III UK 08 132 UK 08 133 UK 10 157 UK 10 162 UK 12 707 UK 12 708 UK 12 709 UK 12 710 UK 12 711

709 EG 131 709 EG 131 709 EJ 601 709 EJ 601 709 EH 132 709 EH 132 709 EL 612 709 EL 612 709 EK 602 709 EK 602

IT 09 140 IT 09 140 IT 09 149 IT 09 149 IT 09 160 IT 09 160 MQ-9A AV-SA-0010 MQ-9A AV-SA-0010 IT II 209 IT II 209 MQ-9A AV-SA-0013 MQ-9A AV-SA-0013



1/48 MQ-9 REAPER

01-125-48067

