

1:72 SCALE

P-40E "Kittyhawk"



EASY ASSEMBLY AUTHENTIC KIT

-  cyanoacrylate glue 强力胶
-  weight 配置
-  make hole 钻孔
-  cut / remove 切除
-  option 选择
-  no cement 不涂胶水
-  decal 贴纸
-  bend 弯曲

The way to apply the decals

1. Cut off the decal from the decal paper and put it into the warm water 40°C for 10 seconds.
2. Take the decal from the water and put it on a piece of clean cloth.
3. Remove the decal slowly from the paper to the targeted location by a wet finger.
4. Use a piece of dry and soft cloth to press it gently on the decal until it getting dry and no bubble existing.

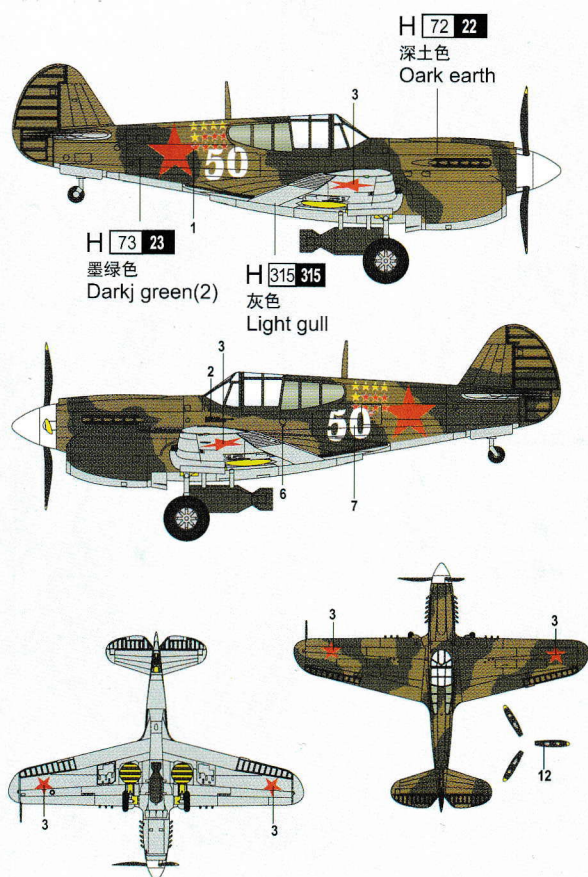
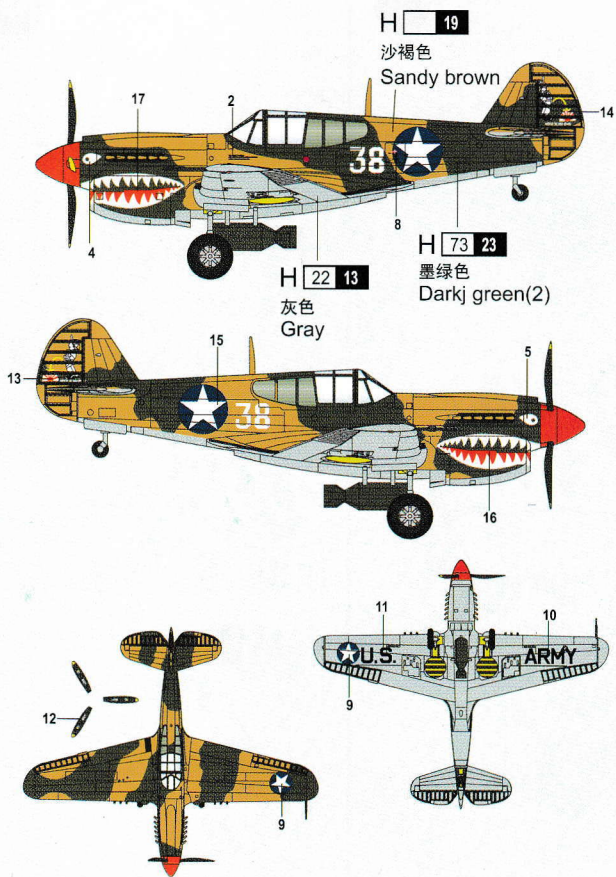
水贴纸的使用方法:

- 一、把相关的印花从水贴纸上面剪下，放入40°C左右的温水中浸10秒。
- 二、然后将印花放在干净的布上。
- 三、拿上印花纸版，手指蘸水将印花移到适当的位置。
- 四、用软干布轻压印花直至水干，气泡消失。

80250

16 Fighter Wing 23 Fighter Group 1942

154 IAP, 1942

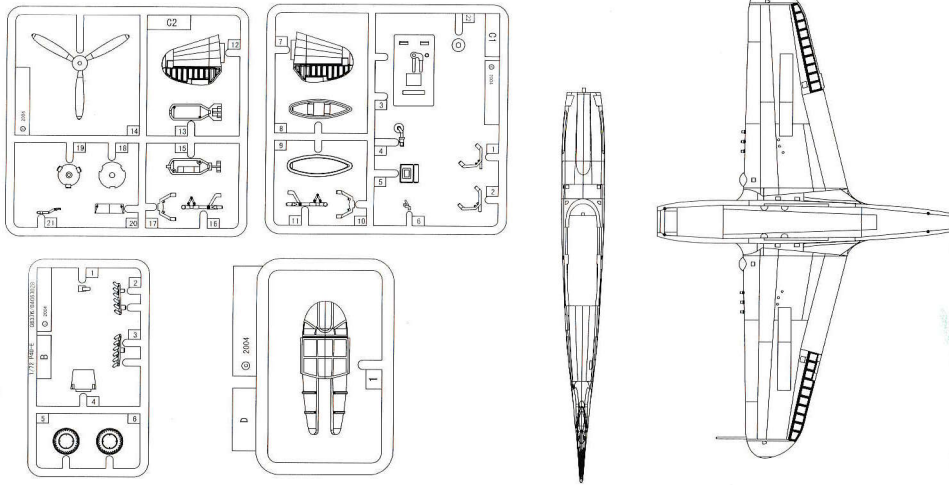


涂装同标贴指示
Painting & Marking guide

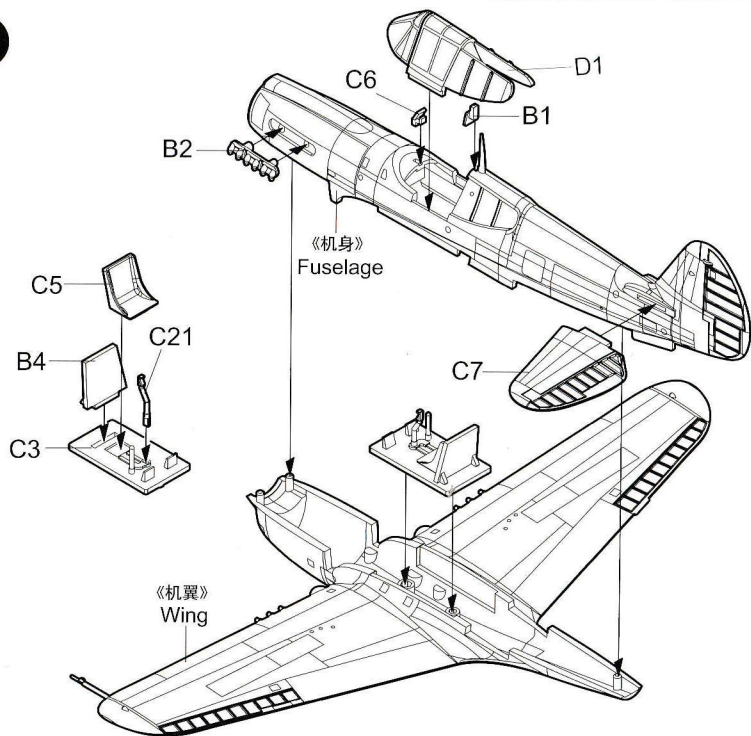
H [X] GUNZE SANGYO AQUEOUS HOBBY COLOUR X GUNZE SANGYO MR.COLOUR

※ Some paints may not be available in your country. Please check your local hobby shop for substitute

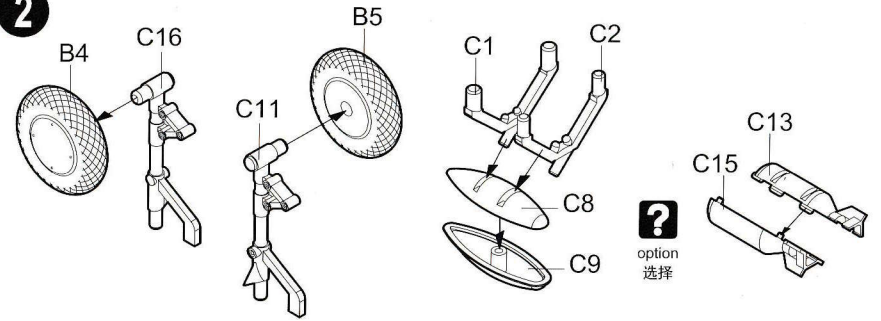
部品图 Parts



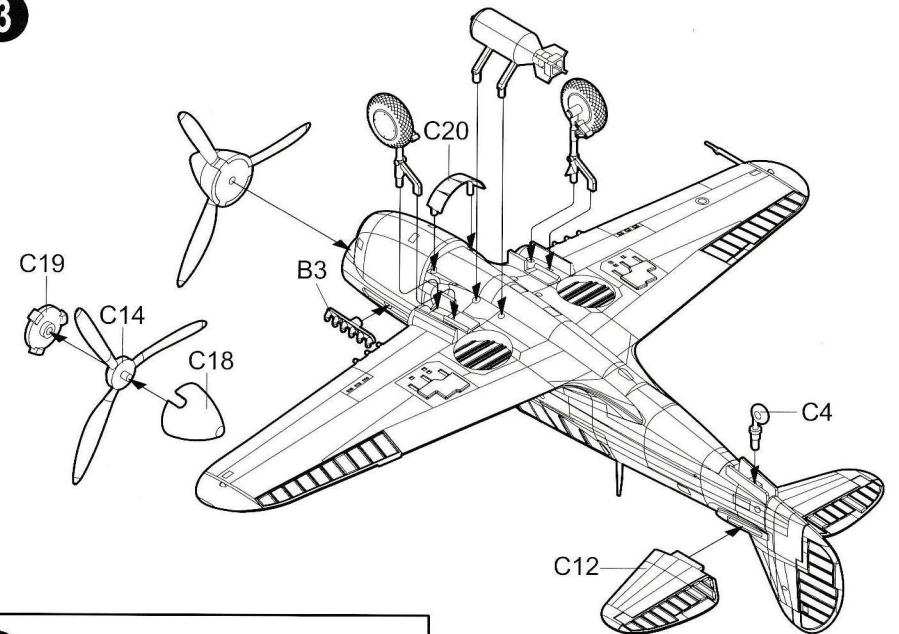
1



2



3



4

