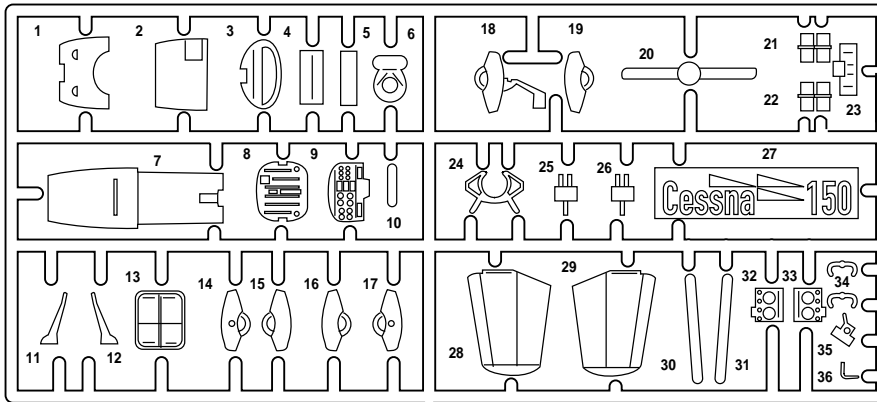
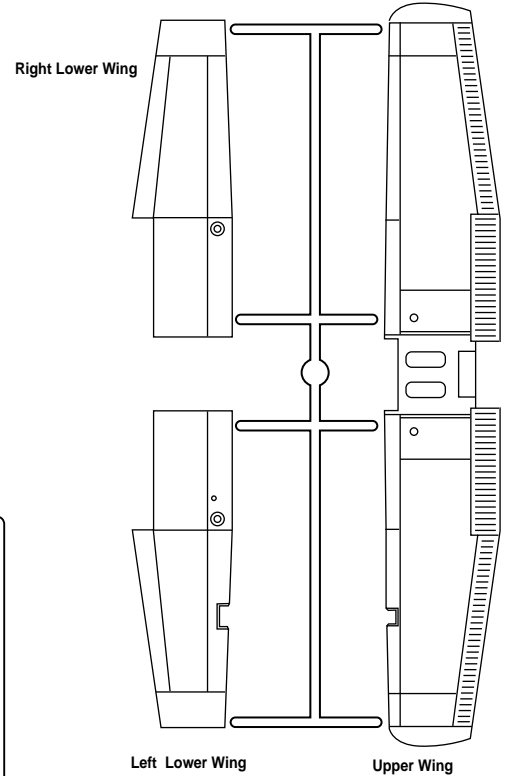
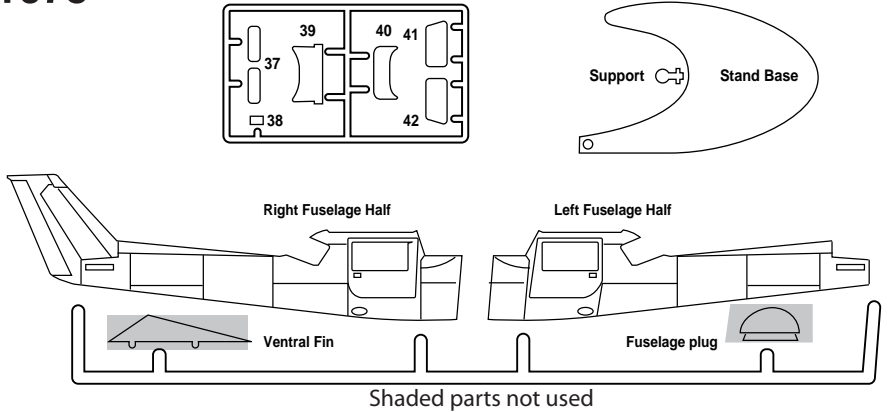


Cessna 150

Your MINICRAFT Cessna 150 is a highly detailed replica of one of the world's most popular civil aircraft. Please review the assembly steps as well as the color and decal guide to become familiar with the parts before beginning assembly.

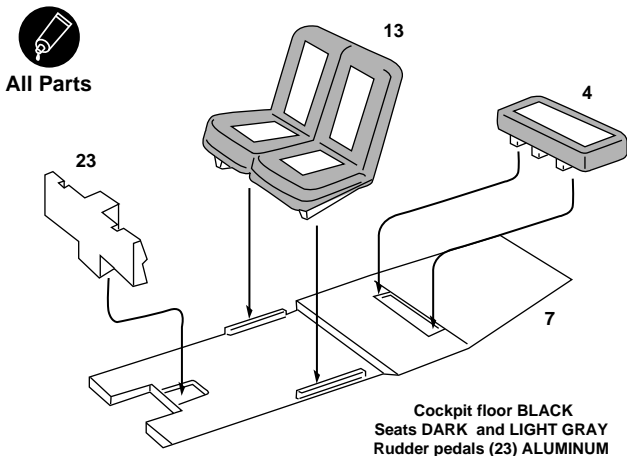
PARTS LAYOUT DIAGRAM

11675

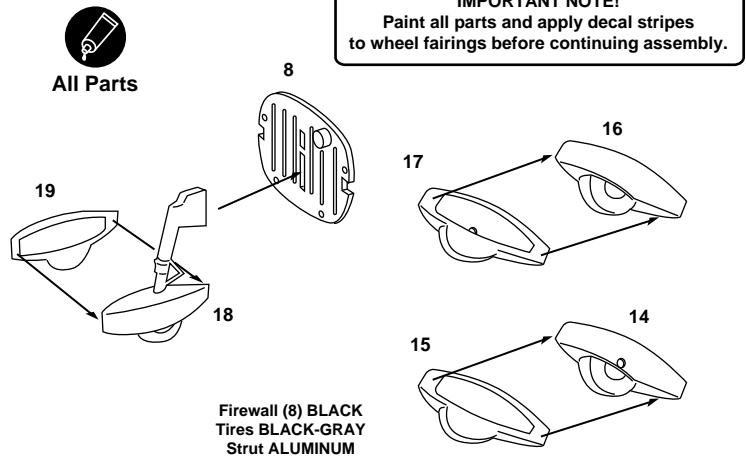


- Cement
Coller
Kleben
Pegar
Incollare
Colar
Kleven
- DO NOT Cement**
Ne pas Coller
Nicht Kleben
No Pegar
Non Incollare
Nao Colar
Niet Kleven
- Cut away
Couper
Scheiden
Cortar
Tagliere
Cortar
Snijden
- Optional parts
Choix
Auswahlmoglichkeit
Eleccion
Scelta
Opaco
Keuze
- Repeat operation
RŽpetet l' opŽration
Vorgang wiederholen
Repitir la operacion
Ripetere
Repitir a operaco
Herhalen
- Symmetrical assembly
- Drill hole

1 COCKPIT ASSEMBLY



2 LANDING GEAR ASSEMBLY

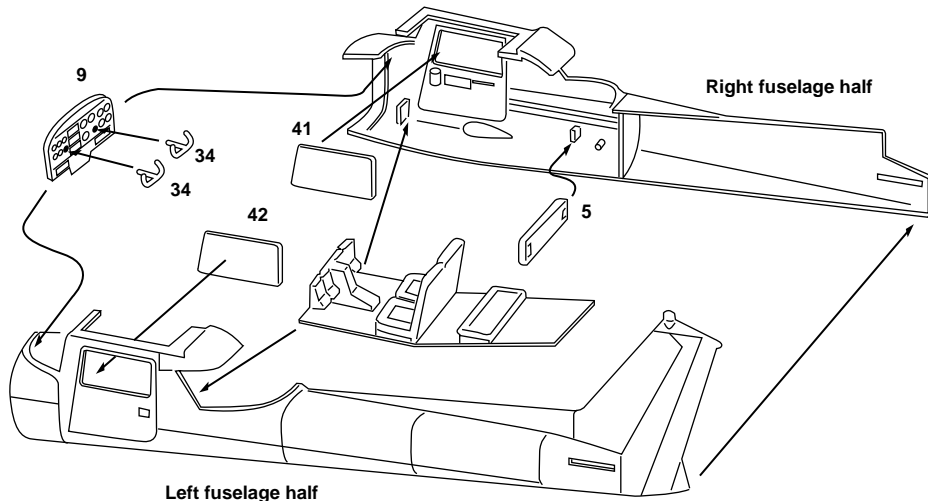
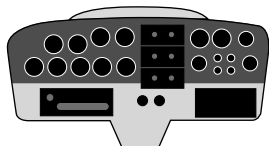
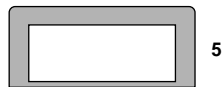


3 FUSELAGE ASSEMBLY



All Parts

Seat back (5) DARK and LIGHT GRAY
 Interior LIGHT GRAY
 Instrument panel BLACK-GRAY
 with SILVER and BLACK details
 Control wheels BLACK

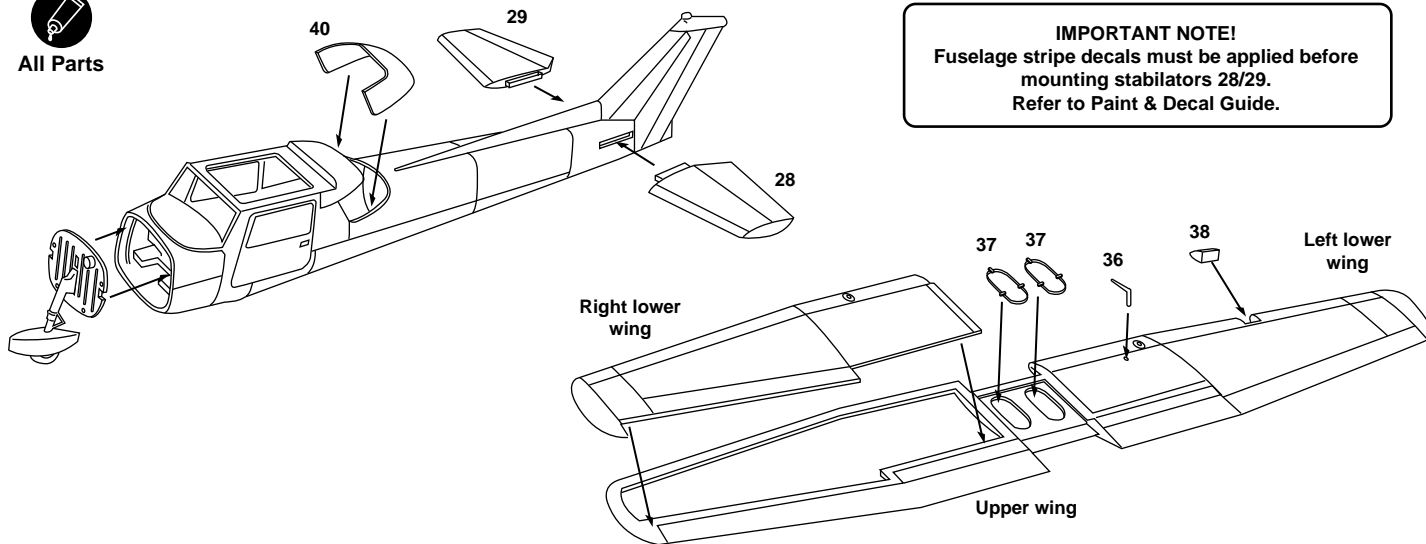


4 NOSE GEAR AND STABILATOR MOUNTING, WING ASSEMBLY



All Parts

IMPORTANT NOTE!
 Fuselage stripe decals must be applied before mounting stabilators 28/29. Refer to Paint & Decal Guide.

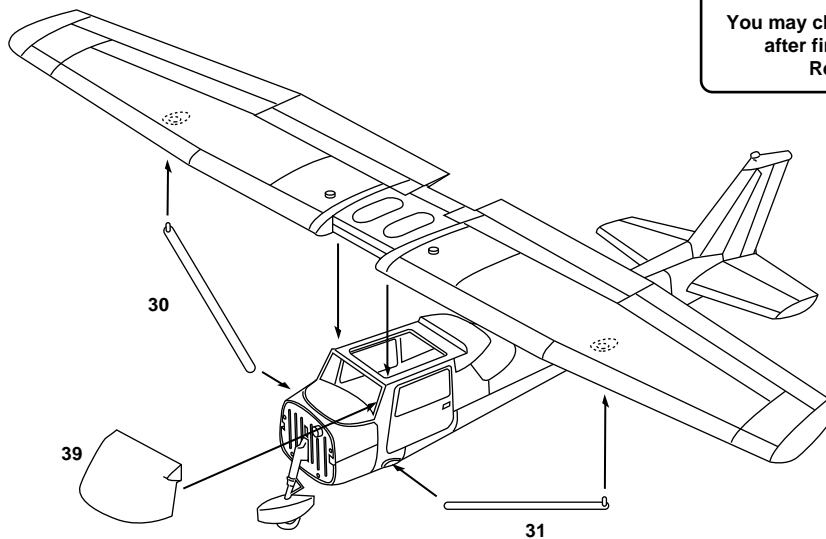


5 WINGS, STRUTS AND WINDSHIELD MOUNTING



All Parts

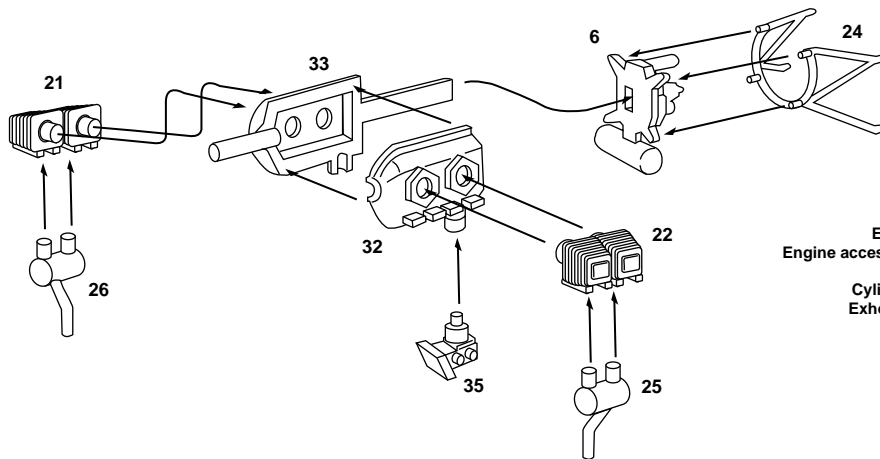
IMPORTANT NOTE!
 You may choose to assemble wing struts 30/31 after final paint and decals are applied. Refer to Paint & Decal Guide.



6 ENGINE ASSEMBLY



All Parts

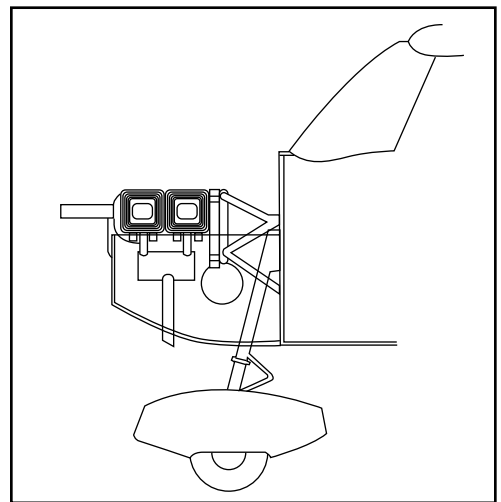
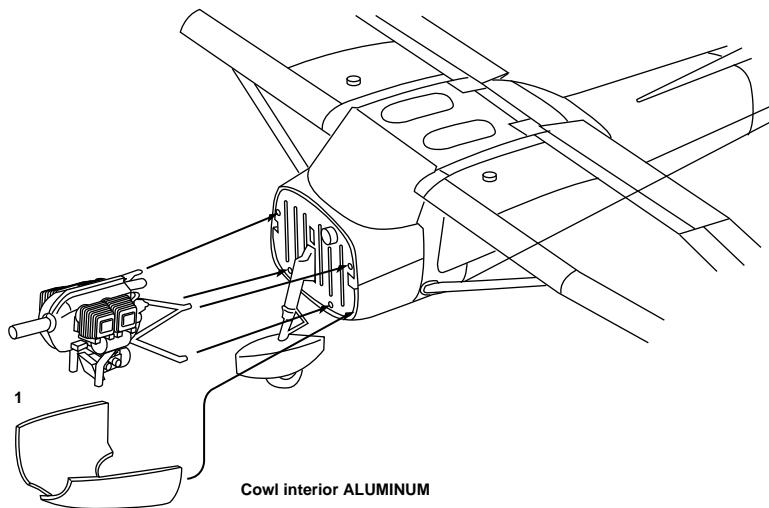


Engine mount (24) BLACK
 Engine accessories (6) , block (32/33) GUNMETAL
 Carburetor (35) BLACK
 Cylinders (21/22) BLACK-GRAY
 Exhausts (25/26) BURNT METAL

7 ENGINE / LOWER COWL INSTALLATION



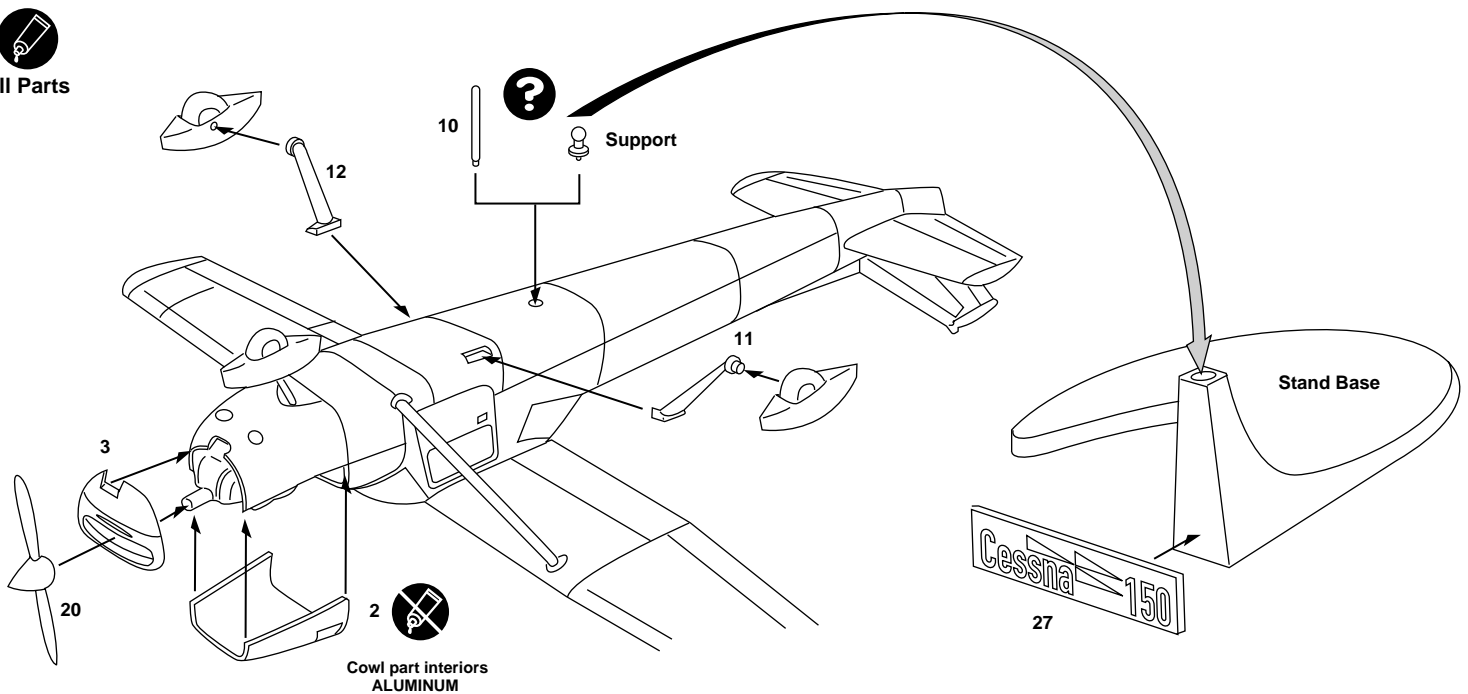
All Parts



8 FINAL ASSEMBLY / OPTIONAL STAND



All Parts



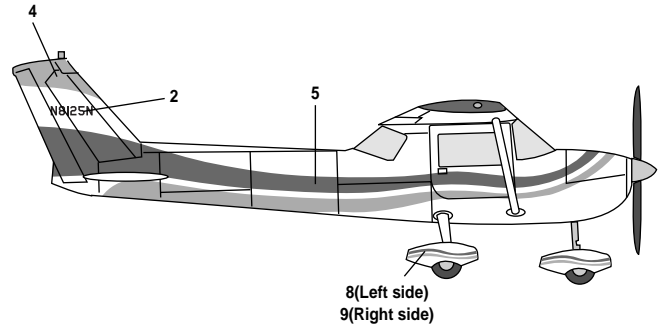
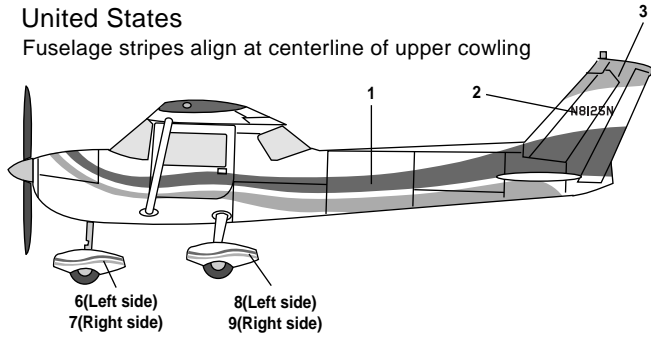
Cowl part interiors
 ALUMINUM

PAINT & DECAL GUIDE

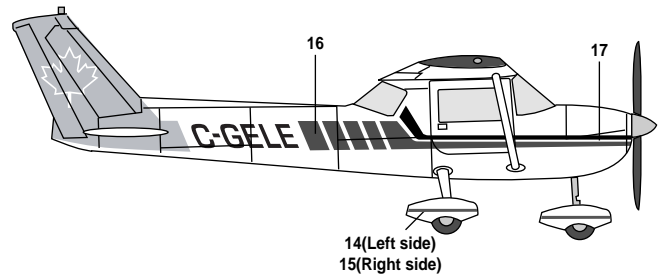
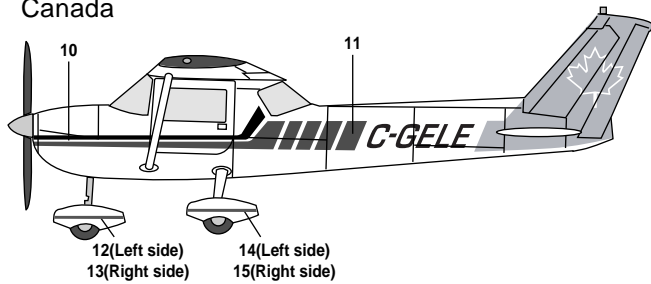
All aircraft are overall Gloss White, with Black propeller blades and Silver spinner. Apply fuselage stripe decals BEFORE installing stabilizers 28/29. Apply large side stripes by aligning stabilator mount cutout indicated on decal, then carefully wrap decals around fuselage contours and align as indicated. It is recommended to temporarily attach removable upper cowl (Part 2) to fuselage before applying decals. Extra decals are provided for the advanced modeler to change registration numbers to personalize the model.

United States

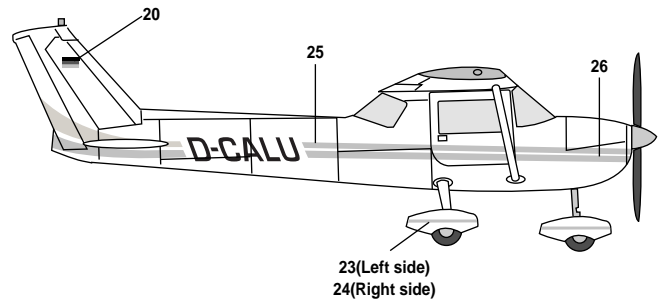
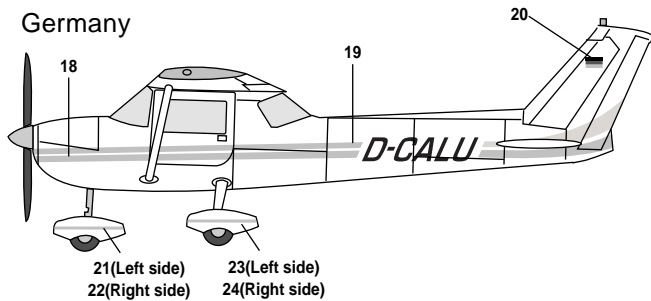
Fuselage stripes align at centerline of upper cowling



Canada

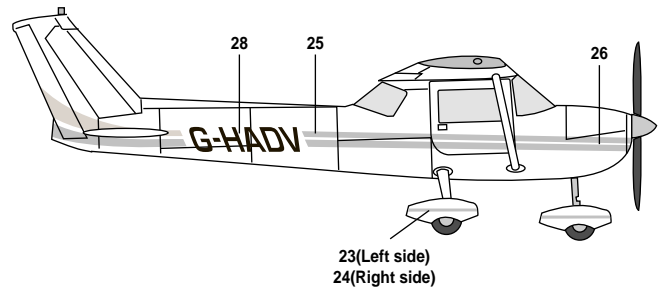
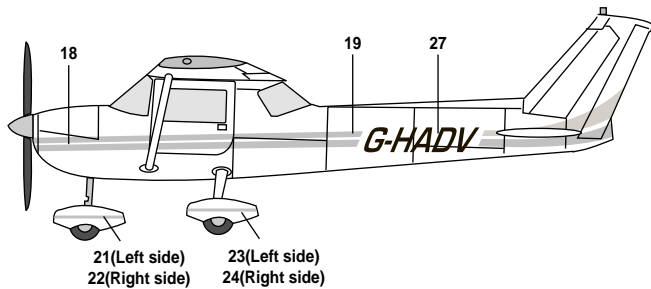


Germany



Great Britain

Apply decal stripes 19/25, align stripes, then trim to remove registration code. Apply codes 27/28 in place.

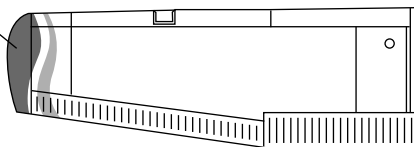


29(Upper Left/Lower Right)
30(Upper Right/Lower Left)

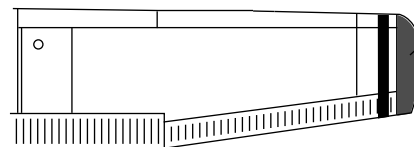
Wing stripes are symmetrical, upper/lower left and right.

31(Upper Right/Lower Left)
32(Upper Left/Lower Right)

United States

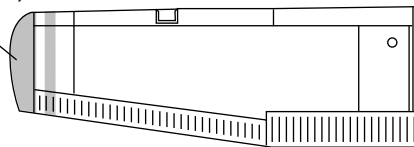


Canada



33(Upper Left/Lower Right)
34(Upper Right/Lower Left)

Germany & Great Britain



G-HADV

NOTE
Great Britain ONLY
UNDERWING serial

Your Minicraft model includes high-quality waterslide decals. These decals adhere best to a glossy surface; and it is recommended that you apply a clear gloss coat over your painted model.

Use a sharp scissors or knife to cut individual decals from the carrier sheet. Do not cut into the clear film surrounding the individual decals.

* It is recommended that you apply one decal at a time.

* Place the decal section in warm water, when first inserted in the water your decal will curl, after approximately ten seconds the decal will uncurl. Remove from water and lay on a paper towel. After approximately 10 - 20 seconds the decal will slide freely from the backing paper. Use a small brush to help slide the decal from the backing paper and into position on the model. Carefully blot excess water from the decal, using care not to move the decal or tear it.

* If you choose to use a setting solution, apply a thin coat over the decal following the manufacturer's instruction.

* Allow the decal to dry overnight. Wash any adhesive residue off the model with a small amount of clean water and dry thoroughly.

* Apply clear gloss, matte or flat coat to seal decals following the instructions from the manufacturer.



Legends in the making™

Visit our Website-
www.minicraftmodels.com

Minicraft Models (US) LLC
1501 Commerce Drive
Elgin, IL 60123

Phone: 847-429-9676

Look for our other Cessna aircraft:



11634 - Cessna 172 Floatplane



11635 - Cessna 172



11663 - Cessna 150 Floatplane