



1/72 McDONNELL DOUGLAS SKYHAWK II A-4F/TA-4J "Blue Angels"

1/72 SCALE
KIT NO. 26019



In 1946, an acrobatic team of the U.S. Navy, named the "Blue Angels", was organized. The first aircraft used was the F6F Hellcat. Since then, its model was changed to the F8F Bearcat, and further to the F9F-2 Panther. A new team of the A-4F6 was started in 1974. This was the first such attempt to adopt attack airplanes like the A-4F Series. In that case, engines were reinforced stronger than those of ordinary A-4F equipment. In addition, there was some modification such as addition of drag chutes, provision of tanks for inverted flight, and so on. The TA-4J in the same coating as for the acrobatic airplanes was used as No. 7 liaison aircraft. The A-4F was used for 13 seasons from 1974 to 1986. This was record-breaking in terms of the longest use of the same equipment for the same team.

READ BEFORE ASSEMBLY

- Read all instructions thoroughly before assembly.
- Keep plastic bags away from babies and small children. Tear up and discard bags to avoid the possibility of suffocation.
- Assemble and paint the model in a well-ventilated area.
- Do not use glue or paint near an open flame.
- Use a side cutter or a modeling knife to remove parts from the runner and trim excess material.
- Check for fit of each part before gluing.
- Use aqueous (water-base) paint.
- The color reference numbers, such as H , indicated in painting instructions are those of Gunze Sangyo Aqueous Hobby Color. Numbers indicated as  are those of Mr. Color.

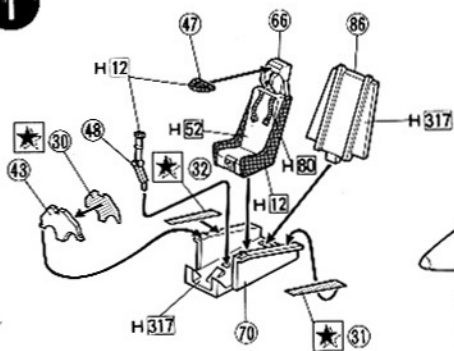


MRC 

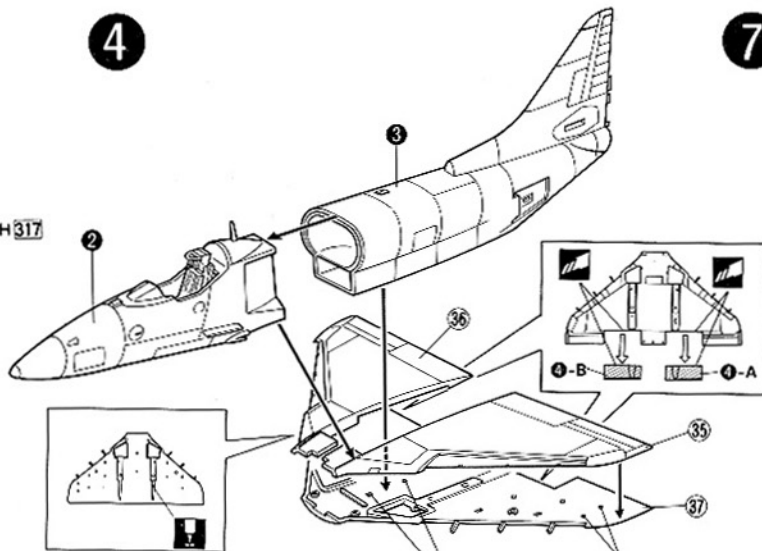
FUJIMI

MODEL RECTIFIER CORPORATION
Edison, New Jersey 08817 U.S.A.

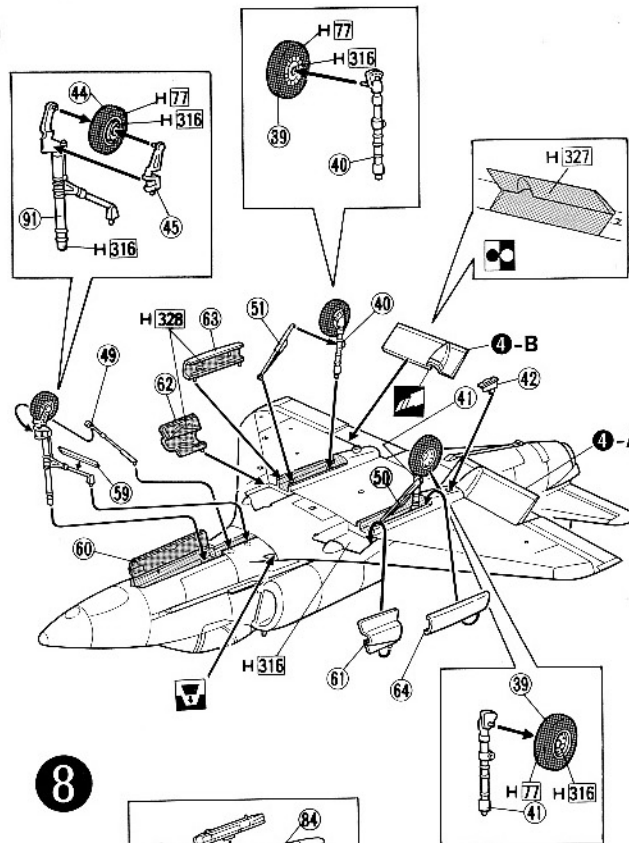
1



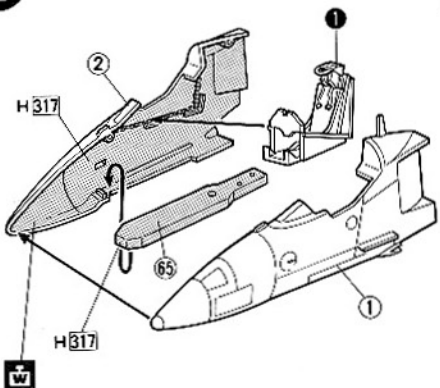
4



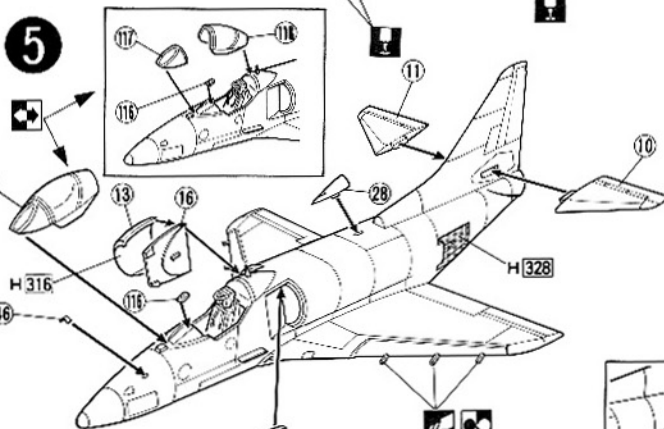
7



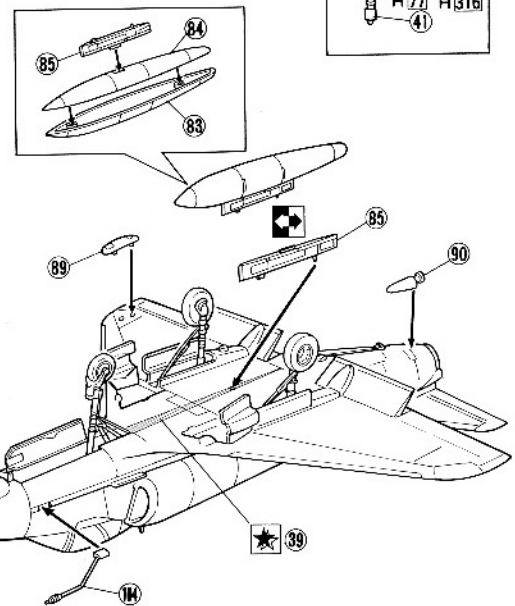
2



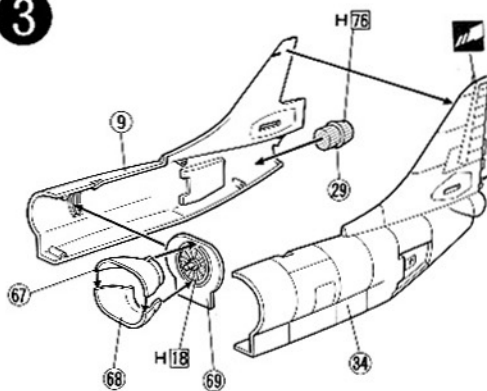
5



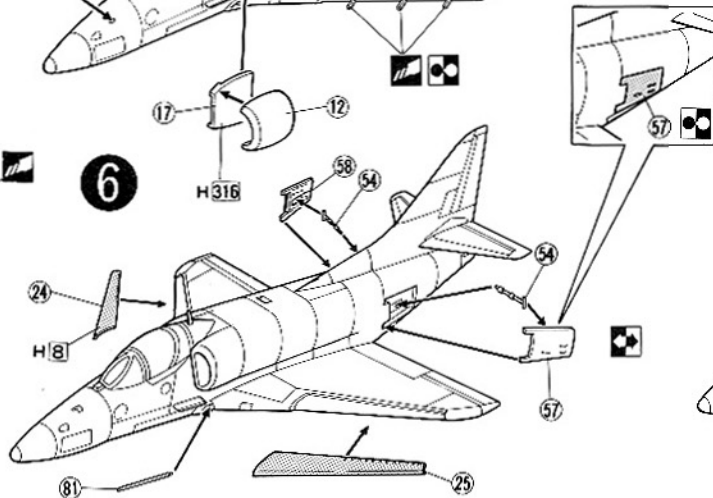
8



3



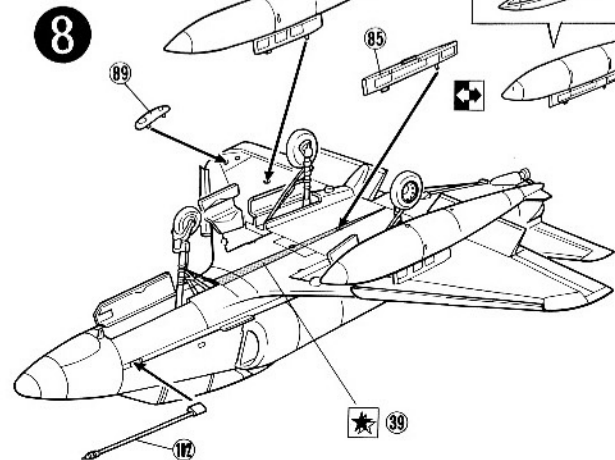
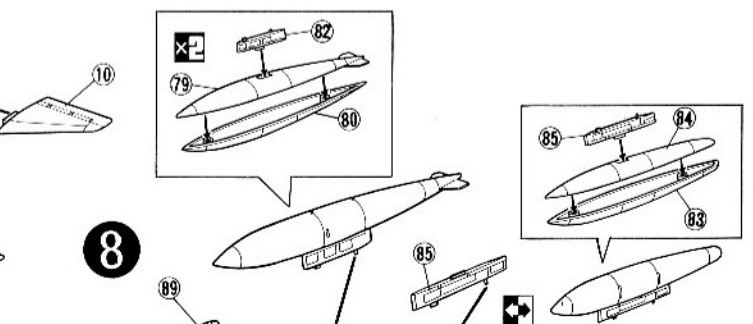
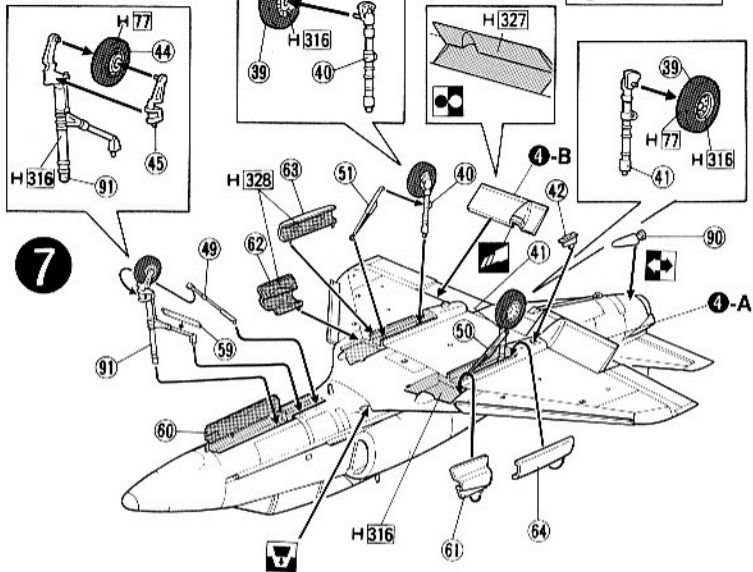
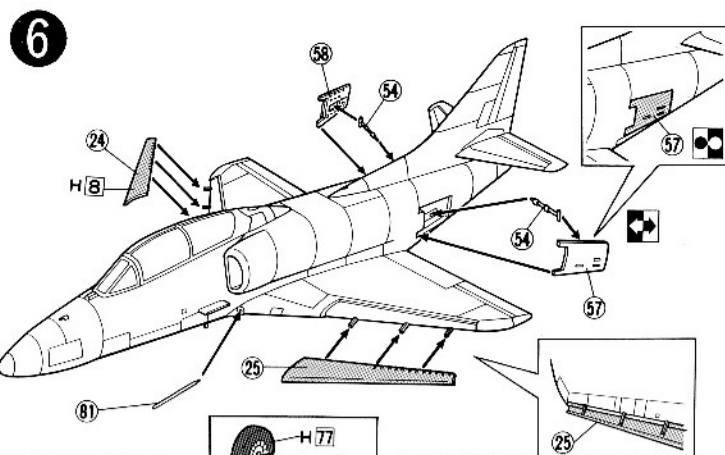
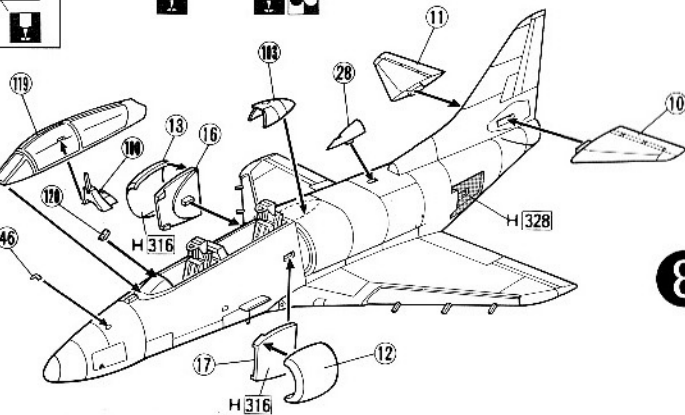
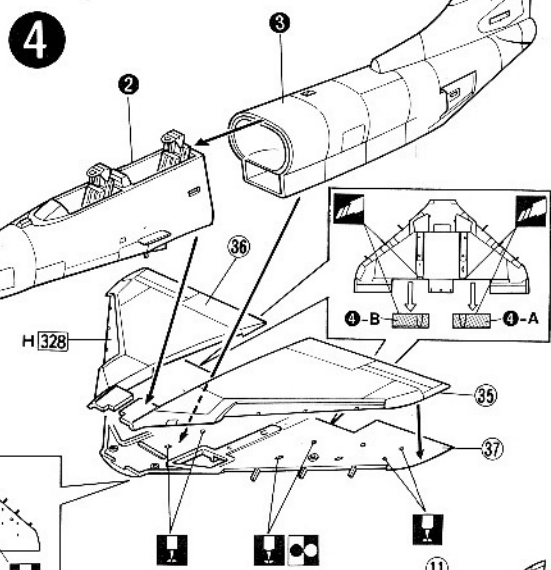
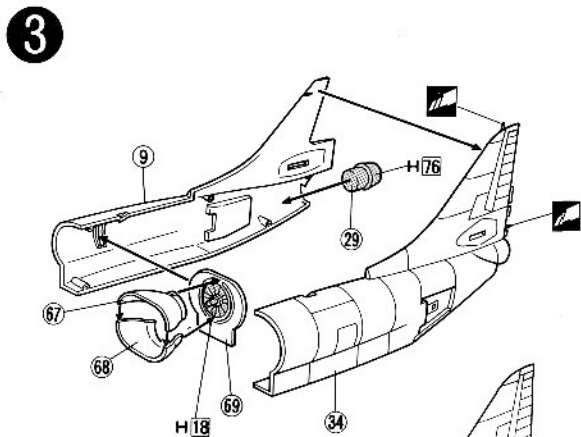
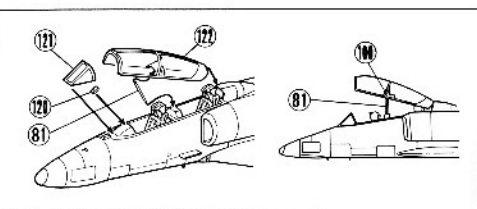
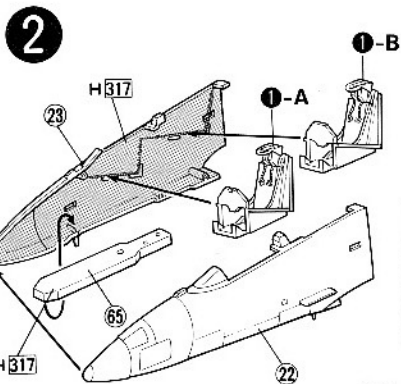
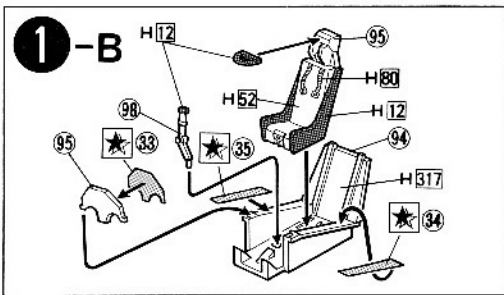
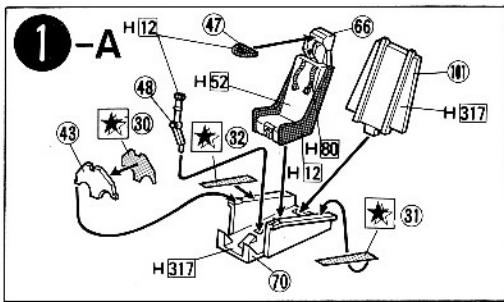
6













H 2	2	BLACK
H 8	8	SILVER
H 12	33	FLAT BLACK
H 18	28	STEEL
H 52	12	OLIVE DRAB (1)
H 76	61	BURNT IRON
H 77		TIRE BLACK
H 80	54	KHAKI GREEN
H 80	47	CLEAR RED
H 93	50	CLEAR BLUE

H 316	316	WHITE FS17875
H 317	317	GRAY FS36231
H 327	327	RED FS11136
H 328	328	BLUE FS15050
H 329	329	YELLOW FS13538

• The color reference numbers, such as H 8, indicated in painting instructions are those of Gunze Sangyo Aqueous Hobby Color. Numbers indicated as 8 are those of Mr. Color.

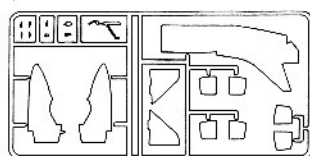


- | | | | | |
|--|--|---|--|--|
|  Cement. |  Remove. |  Optional parts. |  Make 2 sets. |  Add weight. |
|  Do not cement. |  Make hole. |  Repeat for opposite side. |  Caution. |  Apply decal. |

DECAL APPLICATION:

1. Remove dirt, dust and excess glue smears with a damp cloth before application of decals.
2. Cut off the decal to be applied.
3. Dip the decal in tepid water for approximately 20 seconds.
4. Position the decal in place and carefully slide the backing sheet away from the decal.
5. Remove air bubbles by pressing the decal gently with a clean cloth. Do not touch the decal until it is dry.

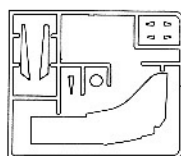
(A)



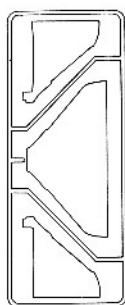
(B)



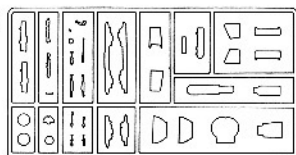
(C)



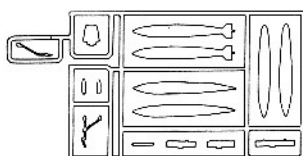
(D)



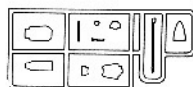
(E)



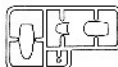
(F)



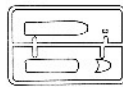
(G)



(H)

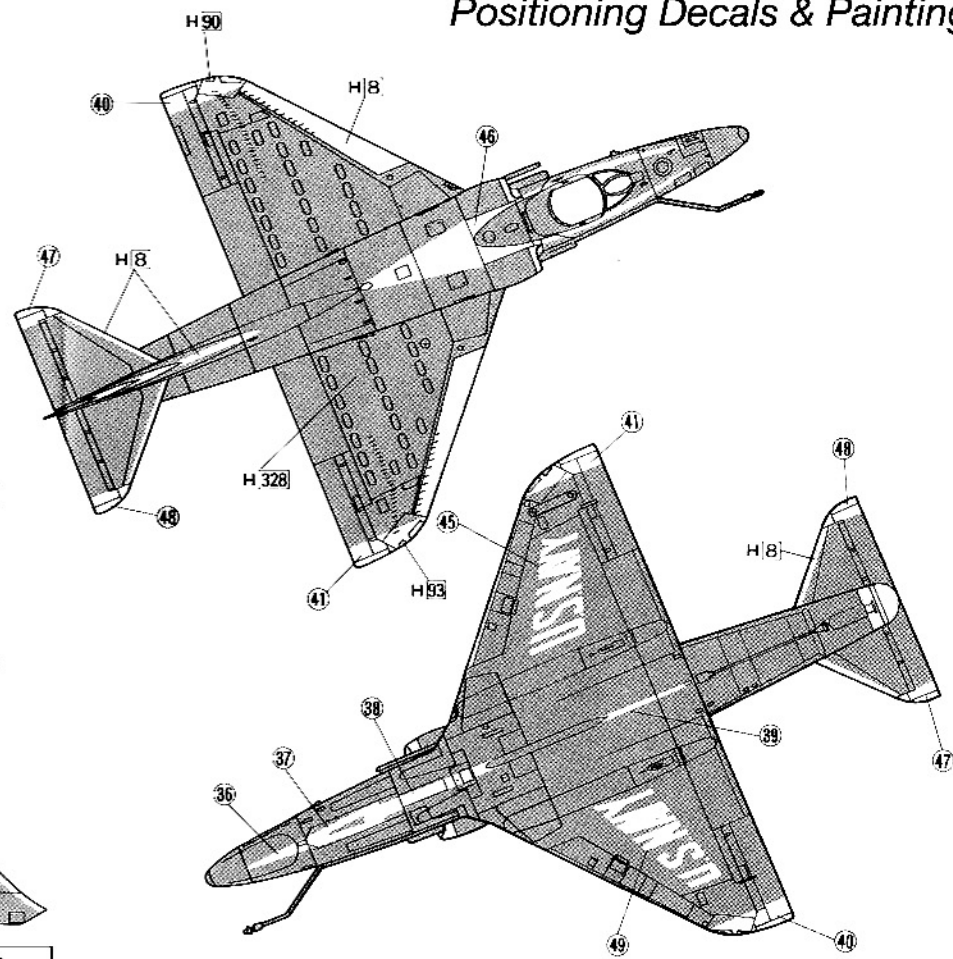
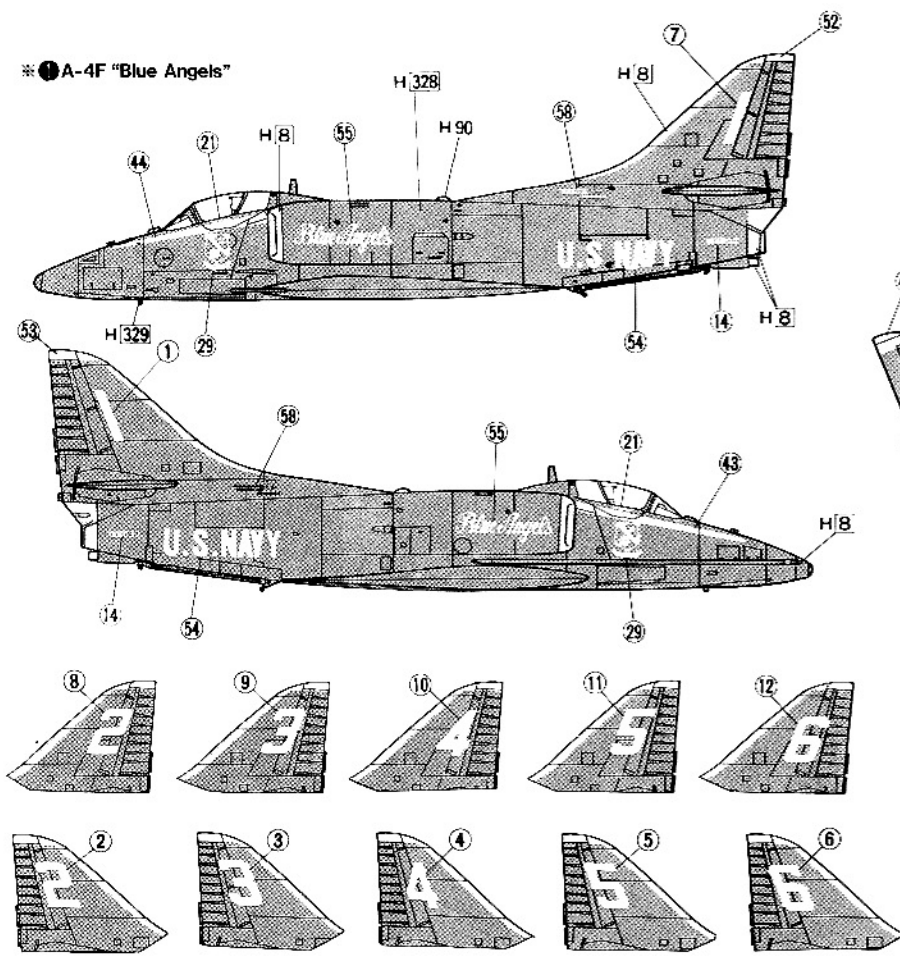


(I)



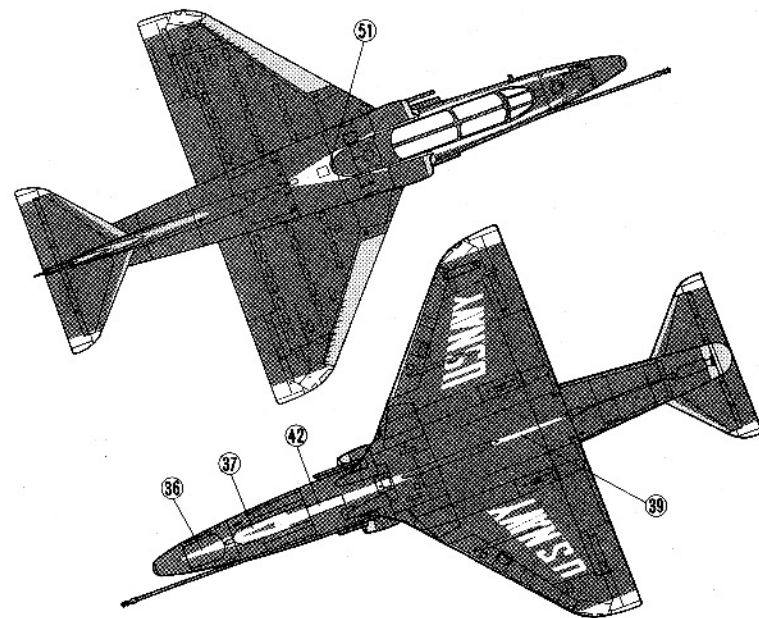
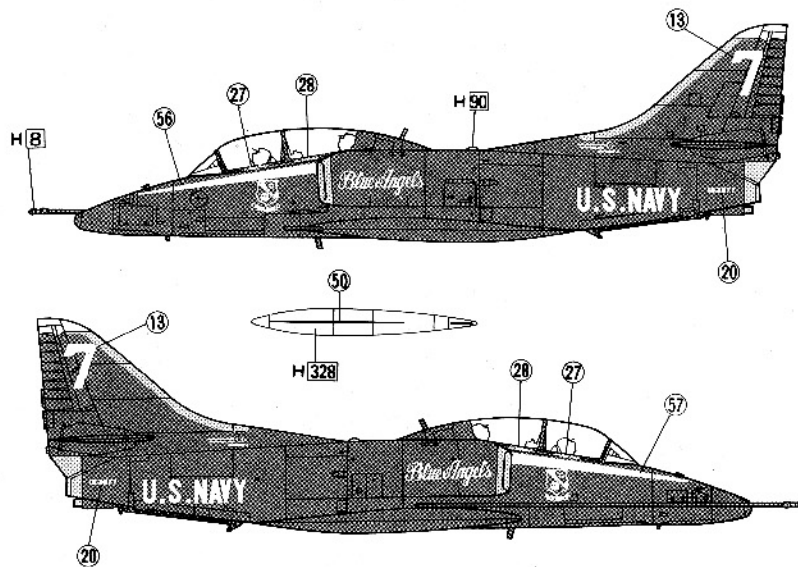
Positioning Decals & Painting

※ 1 A-4F "Blue Angels"



★ 15 154172	★ 16 154873	★ 17 154180	★ 18 154211	★ 19 155000
★ 22 Capt Mark Brudner	★ 23 Cdr Denise Carlson	★ 24 Lt Jut Lofels	★ 25 Cdr Curt LaFolton	★ 26 Lt David Anderson

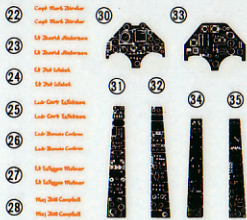
※ 2 TA-4J "Blue Angels"



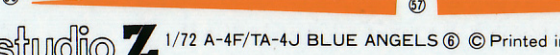
① ② ③ ④ ⑤ ⑥ ⑬
1 2 3 4 5 6 7

⑦ ⑧ ⑨ ⑩ ⑪ ⑫ ⑬
1 2 3 4 5 6 7

⑭ 156033 ⑰ 164211
⑭ 156033 ⑰ 164211
⑮ 164172 ⑱ 166000
⑮ 154172 ⑱ 166000
⑯ 154873 ⑳ 153877
⑯ 154873 ⑳ 153877
⑰ 154180 ㉑
⑰ 154180 ㉑



⑤① ⑤② ⑤③ ⑤④



④⑤
④⑥
④⑦
④⑧
④⑨
U.S. NAVY
U.S. NAVY

⑤⑤
⑤⑥
U.S. NAVY Blue Angels
U.S. NAVY Blue Angels

