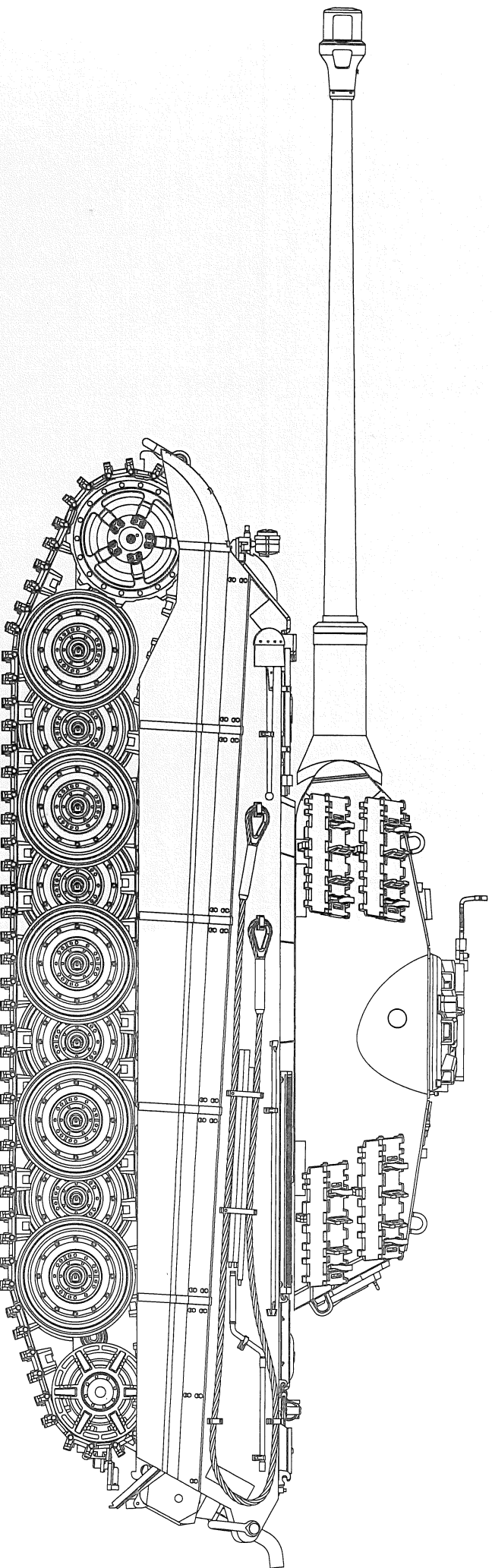


# KING TIGER

## PORSCHE TURRET w/ZIMMERIT



The German Tiger Ausf. B, or King Tiger was arguably the very best tank that was put onto the battlefield during WWII, as well as the most costly. With each unit requiring some 300,000 skilled man-hours to complete, the King Tiger went into serial production in December 1943 at the Henschel factory in Kassel. At the peak of production it took only 14 days to complete, and by the end of the war 492 examples were ultimately produced due to the intense Allied bombing campaign.

With frontal armor reaching up to 150mm thick and side armor 80mm thick, this nearly 70 ton tank was built around the famous dual-purpose semi-automatic 88mm canon firing armor-piercing or high explosive rounds, the KwK 43 (L71) produced by Krupp, with the T.Z.F.9b/1 binocular gun sight (later followed by the monocular T.Z.F.9d) built into the cradle. This set-up allowed the tank to engage virtually any enemy tank before it could come within firing range. The King Tiger with Porsche turret carried a maximum combat load of 80 rounds of internally stored ammunition. Additional armament came in the form of 3 Rheinmetall Machinengewehr 34's with 5800 rounds; one mounted in a Kugelblende on the right bow position; one mounted coaxially to the main gun; one mounted externally to the commander's cupola.

This massive tank was mobilized by a OLVAR EG40 12 16B mechanical transmission with 8 forward and 4 reverse gears powered by a 690hp Maybach HL230 P30 gasoline engine, with a top speed of 25.8 mph (41.5 km/h). The crew of 5 consisted of the tank commander, the loader, the gunner, the driver, and the radio operator. The only other variant of the King Tiger was the Hunting Tiger, or Jagdtiger. With the exception of the initial prototype, all King Tigers were coated with zimmerit until September 11, 1944.

The King Tiger dominated the battlefield in terms of capabilities, but often suffered from shortages of lubricants & fuels. These tanks proved themselves in battles ranging from Normandy, the Ardennes, Lake Balaton, and Berlin. Although they lived up to the expectations of the 'Wunderwaffe', the King Tigers were ineffective in stopping the overwhelming numbers of opponents they faced on the battlefield. Today there are a total of 11 King Tigers preserved around the world, with the rest having been long lost to the scrap yards.

This new King Tiger model kit represents the ultimate in dimensional accuracy for the first time through the unique feature of scale-thickness armor and a complete interior. For the first time in 1/35 scale we can appreciate the full experience inside this infamous tank, from the driver & radio operator in the fighting compartment to the loader, gunner, and commander in the turret, as well as the engine compartment complete with Maybach engine. Every detail inside & out was painstakingly measured from a surviving vehicle from s.SS Pz.Abt.501 abandoned by German troops in 1944 during the Battle of the Bulge, currently in storage at the U.S. Armor & Cavalry Museum at Ft. Benning, Georgia. In addition, the remaining variants of the King Tiger were carefully researched and are included in our collection as well.

# READ BEFORE ASSEMBLY

## CAUTION

- Read carefully and fully understand the instructions before commencing assembly. A supervising adult should also read the instructions if a child assembles the model.
- When assembling this kit, tools including knives used. Extra care should be taken to avoid personal injury.
- Keep out of reach of small children. Children must not be allowed to suck any part, or pull vinyl bag over their heads.



Optional



Instant Glue for Metal



Apply Decal



Drill



Do Not Cement



Remove

## PAINTS REQUIRED

Color info and profiles by Mig Jimenez



Redbrow



Dark Tracks



Old Wood



New Wood



Dunkelgelb



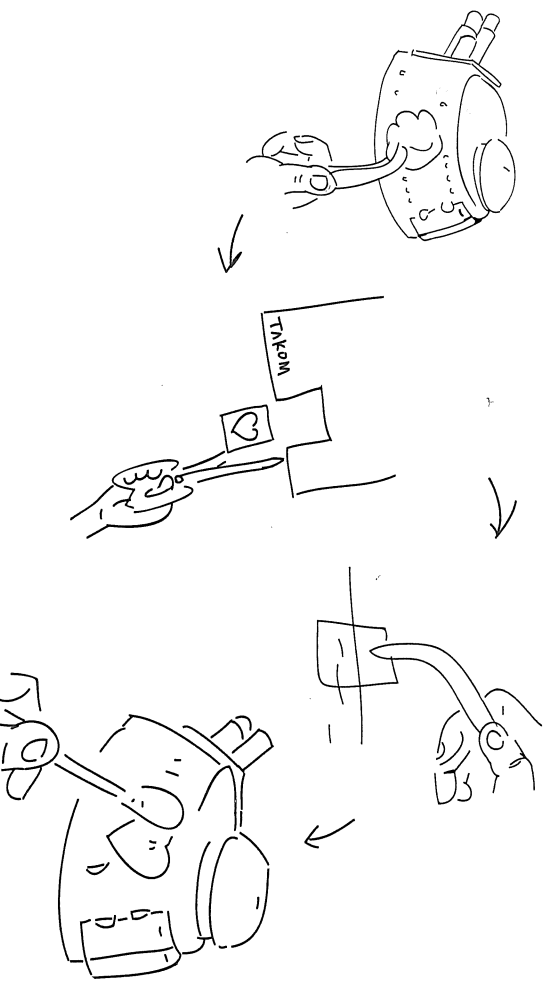
Machete White Camo



Schokolabrown

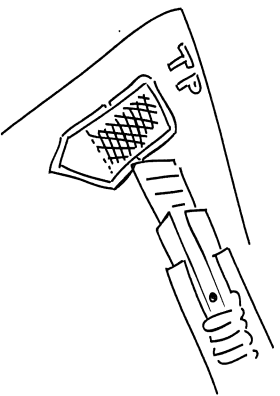
## APPLYING DECALS

1. Clean the model surface with a wet cloth.
2. Cut out each decal design from sheet, and dip it in tepid water for 15-20 sec.
3. Hold the backing sheet edge and slide decal onto the model.
4. Move decal into position by wetting decal with finger.
5. Press decal gently down with a soft cloth until excess water and air bubbles are gone.



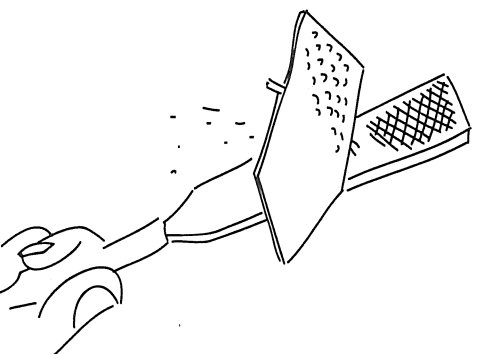
## REMOVING PE

Be careful not to hurt when removing PE parts.

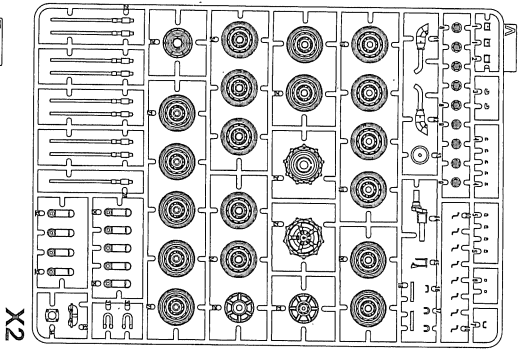


Secure using instant glue (not included).

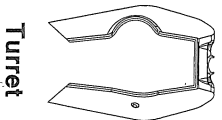
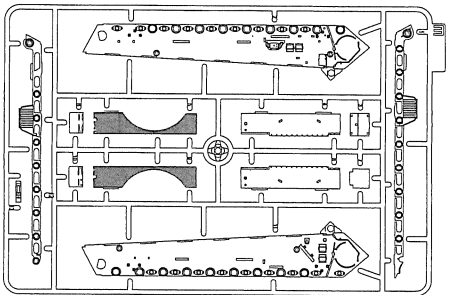
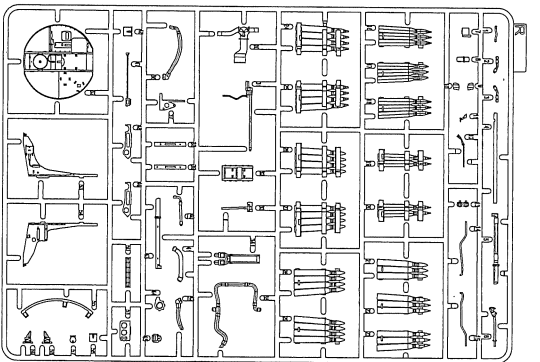
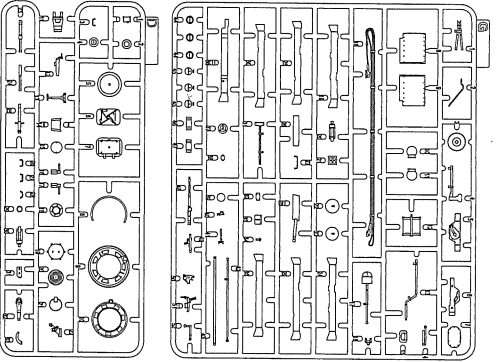
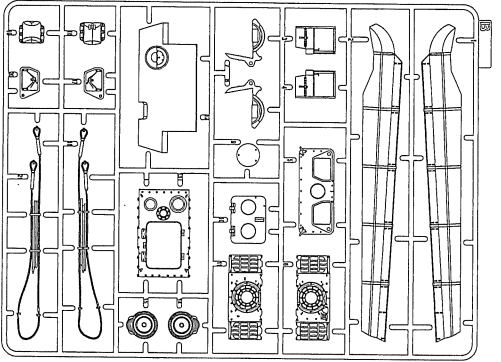
Finish using file.



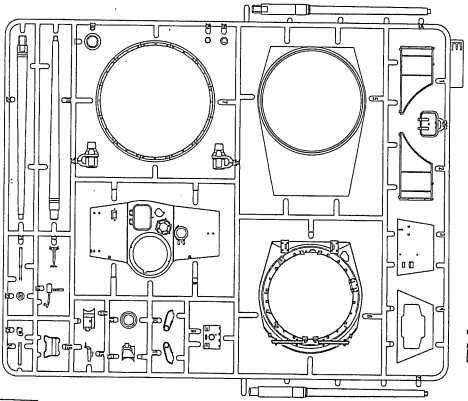
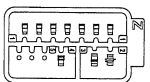
# PARTS



X2

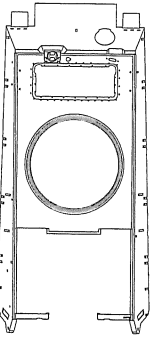
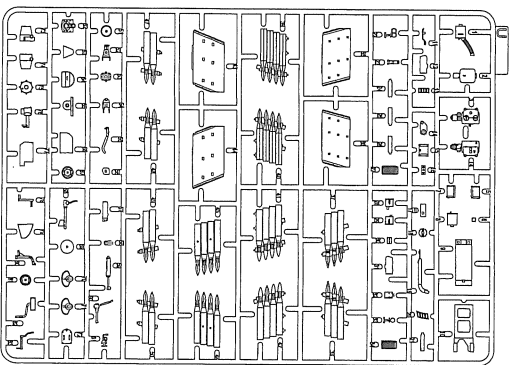
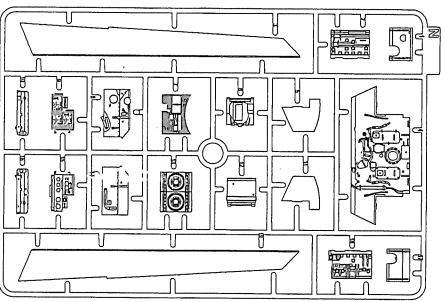
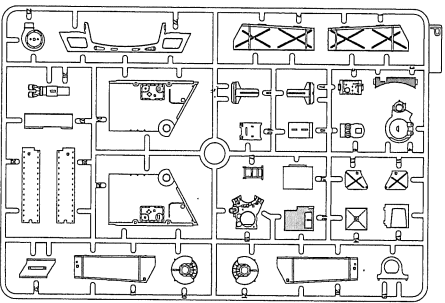
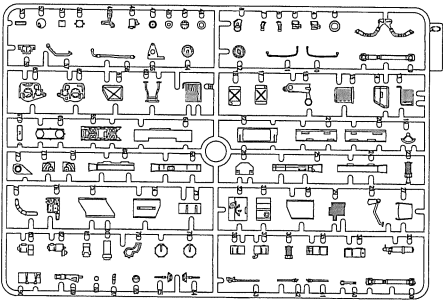
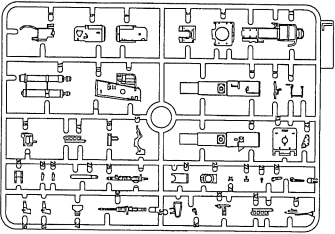


Turret

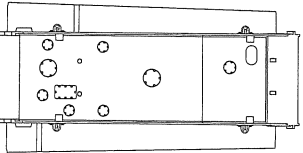


X96

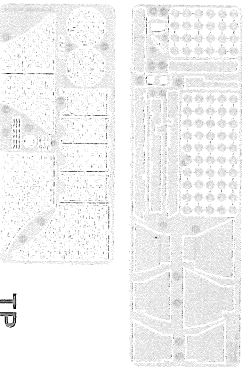
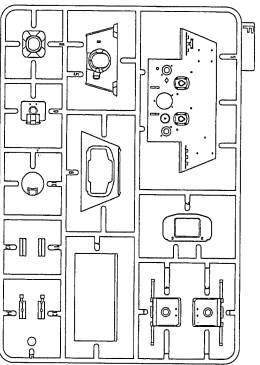
X96



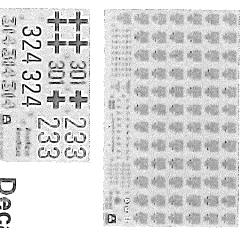
Upper Hull



Lower Hull

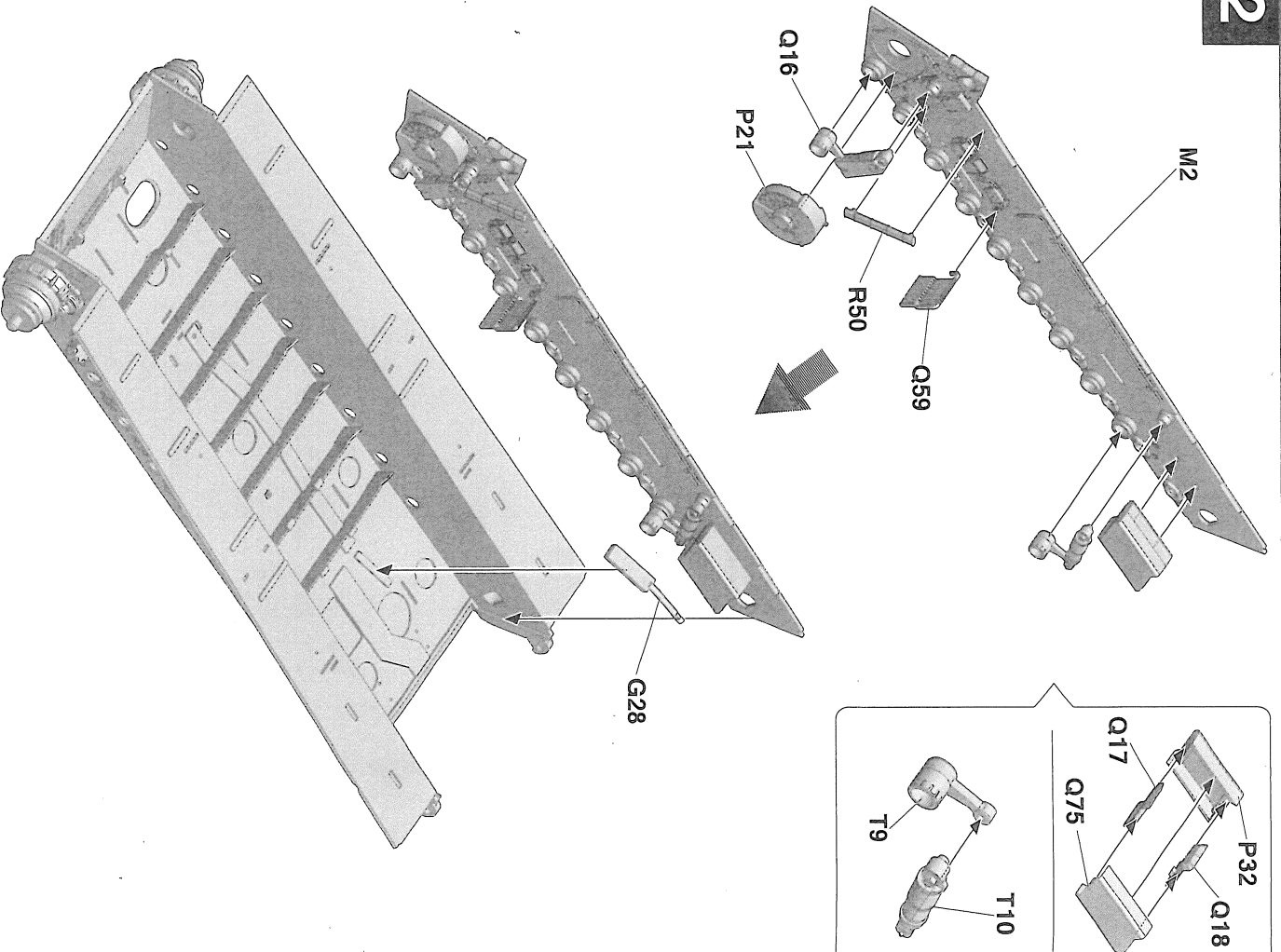
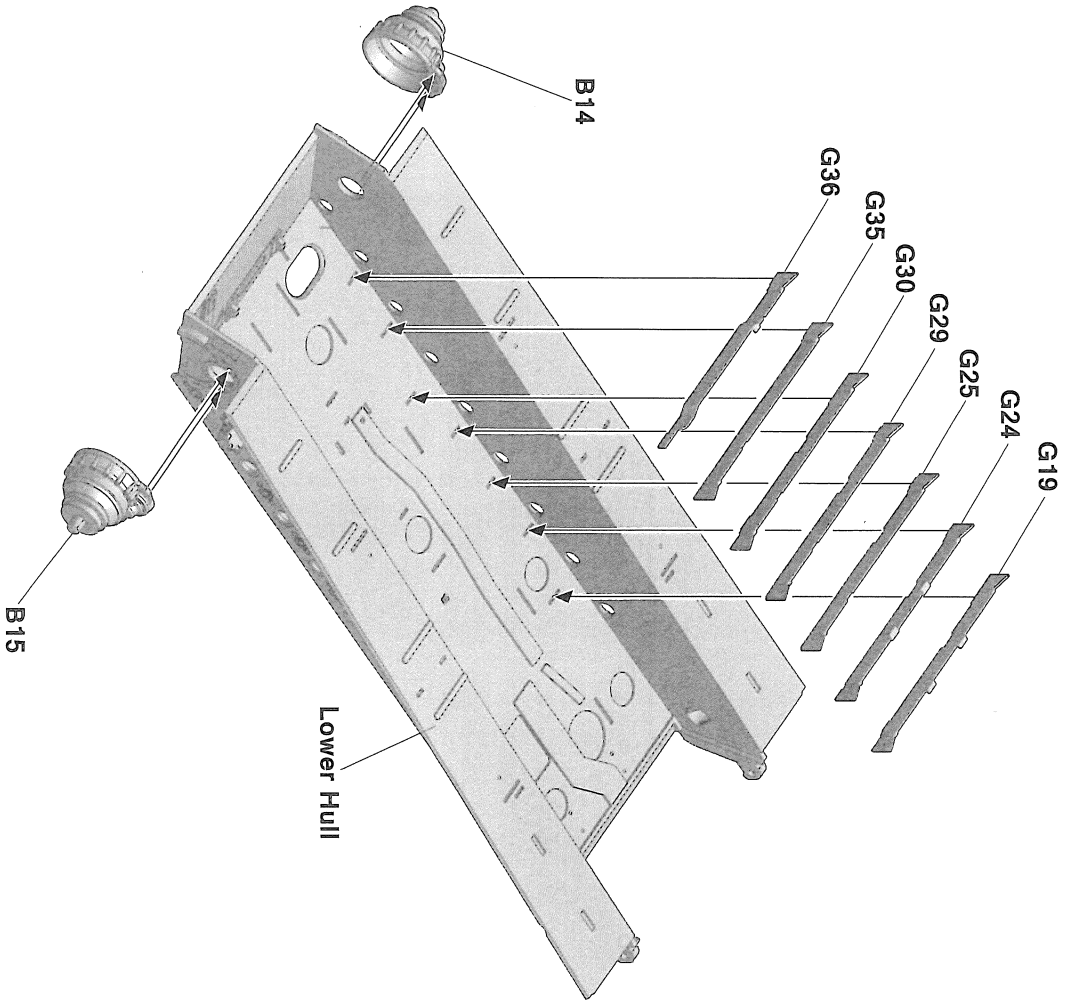


TP

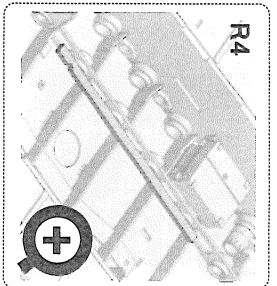
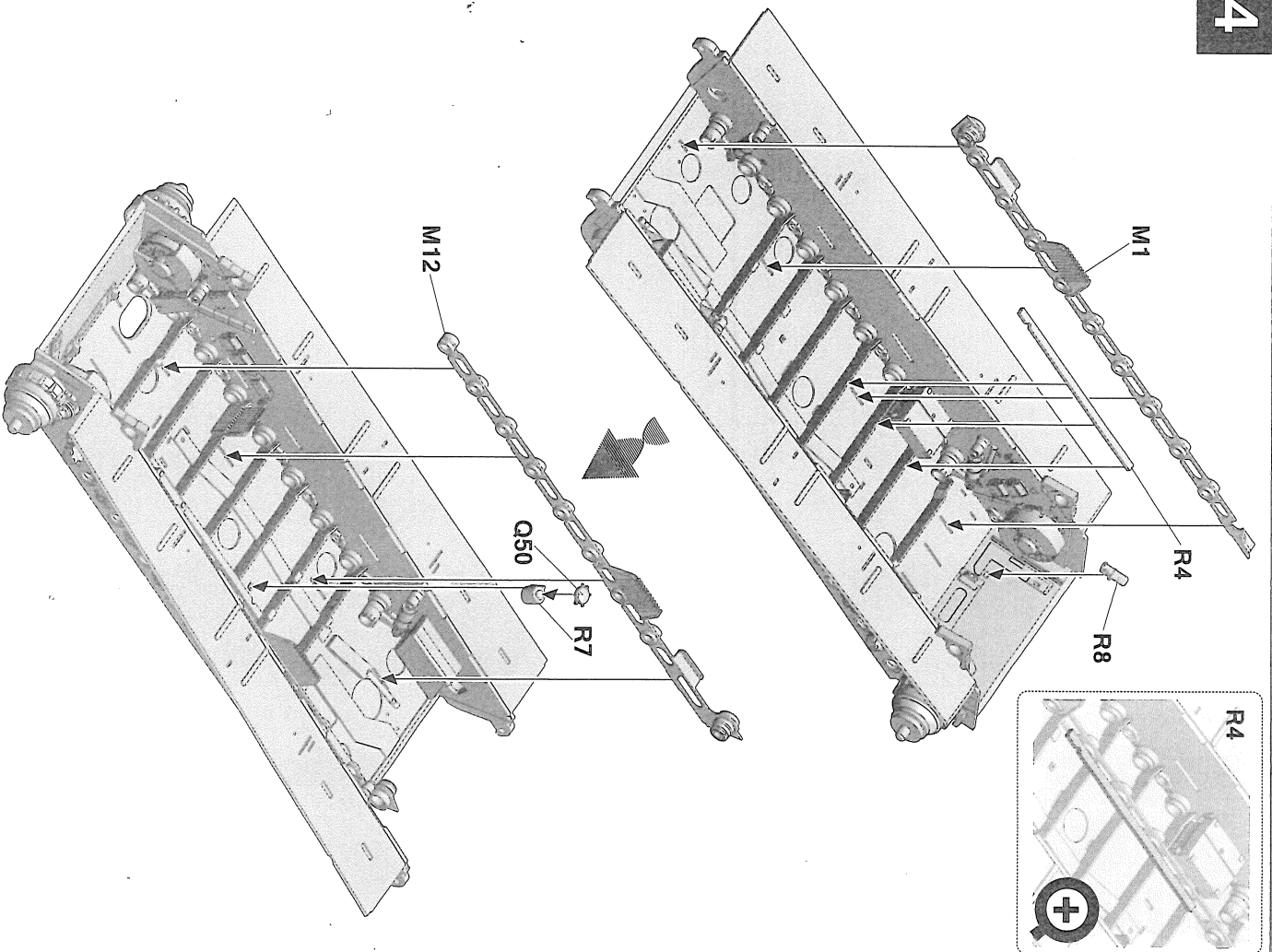
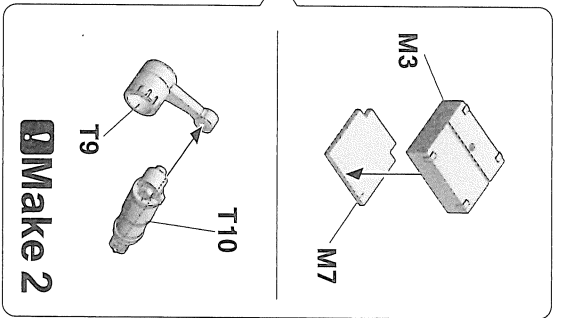
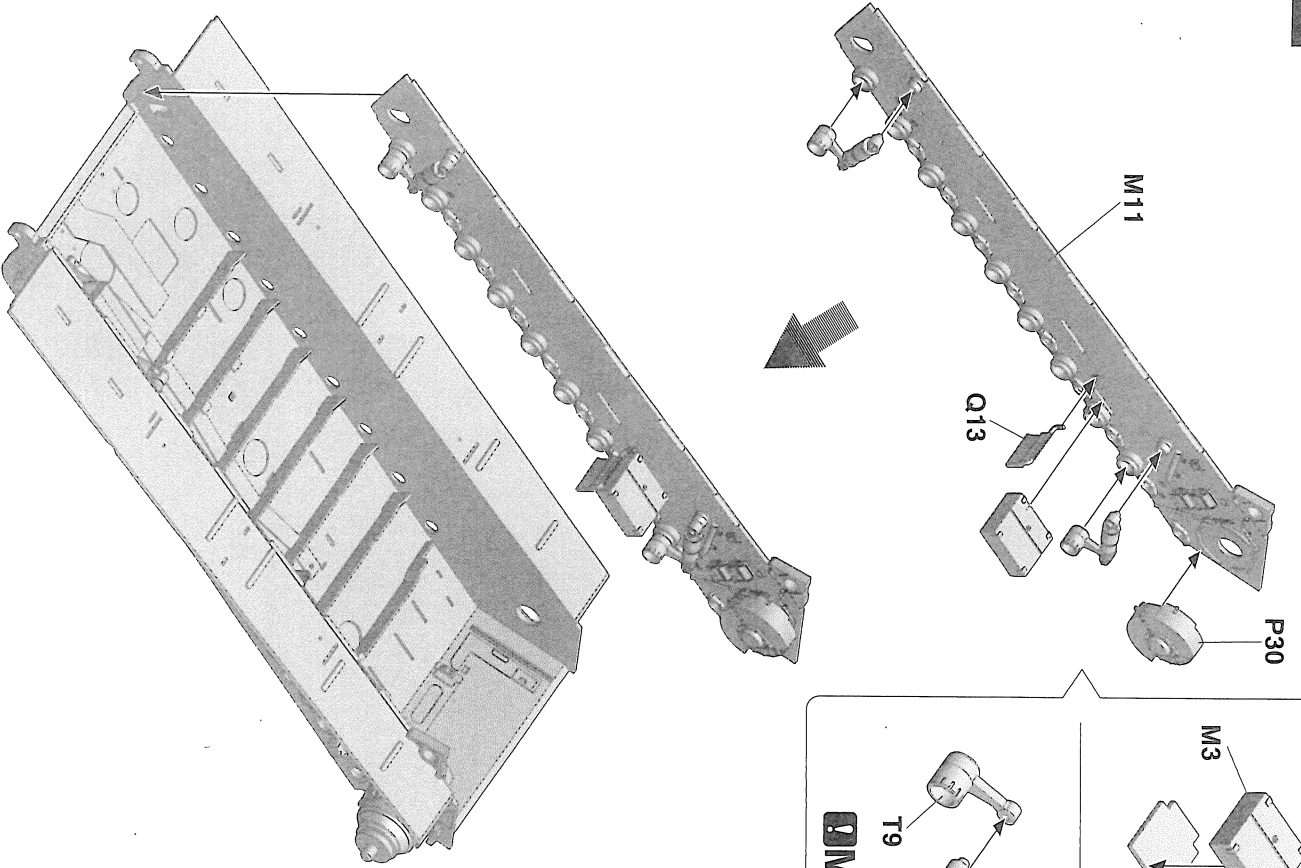


Decal

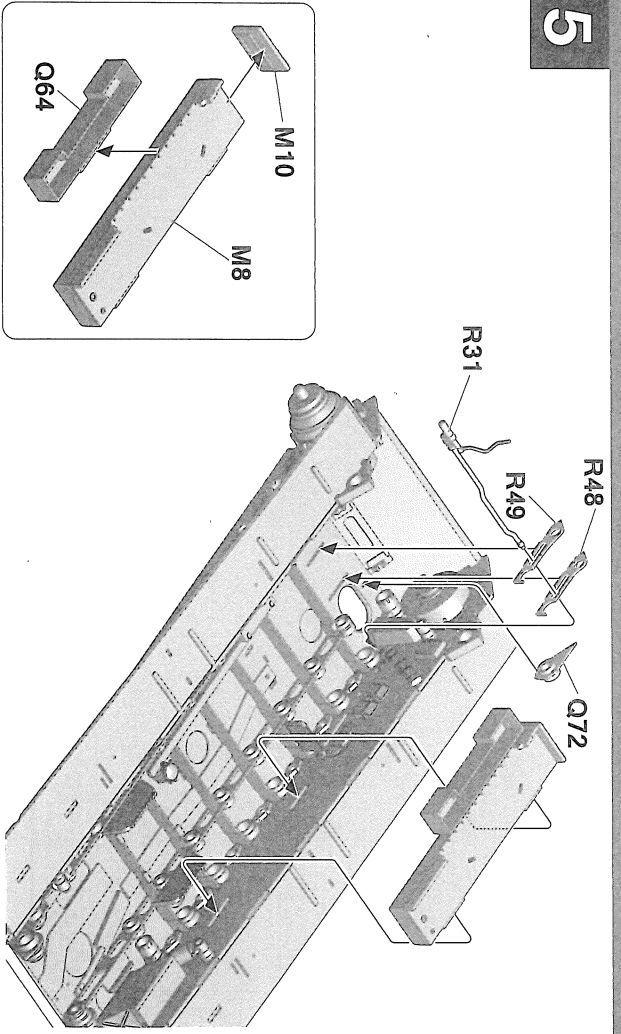
30 233  
30 233  
324 324



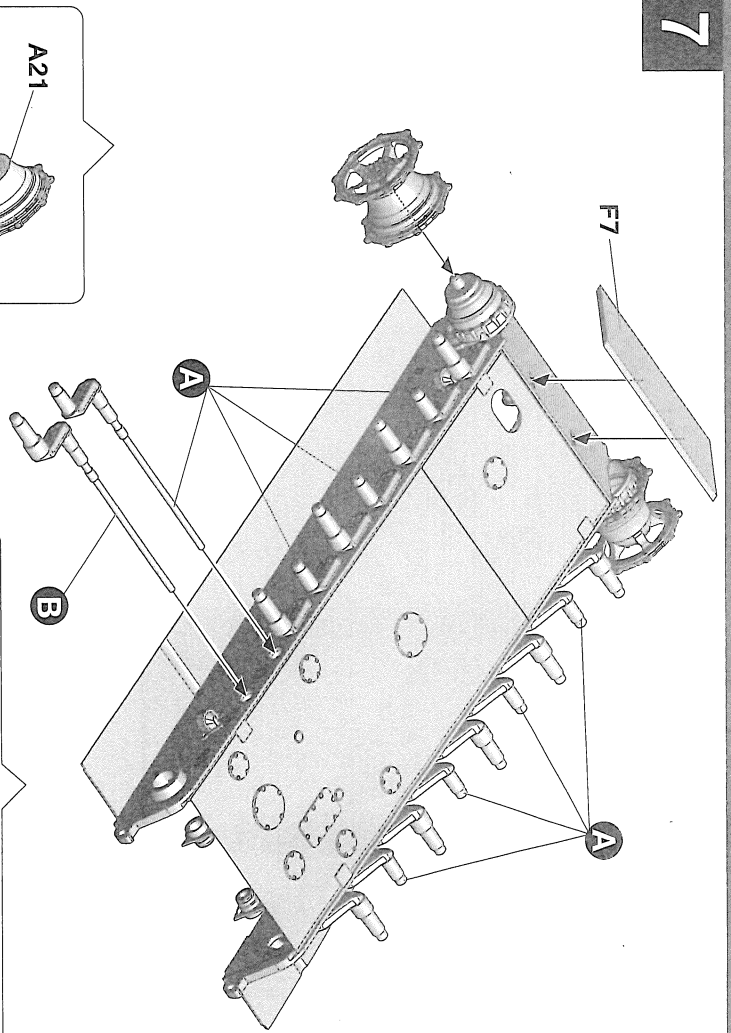




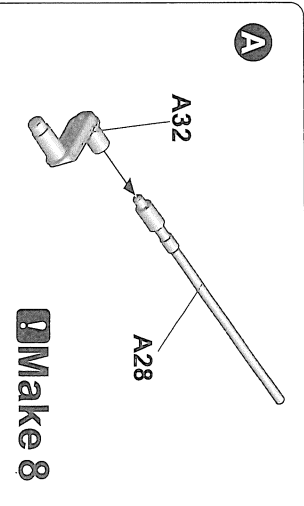
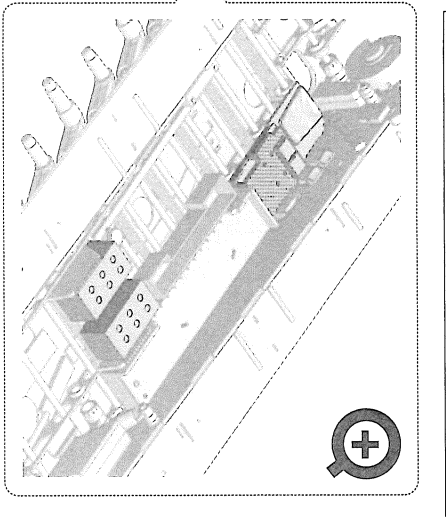
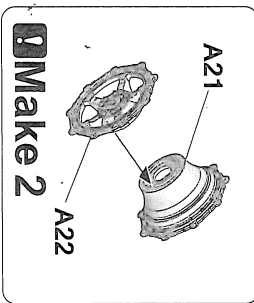
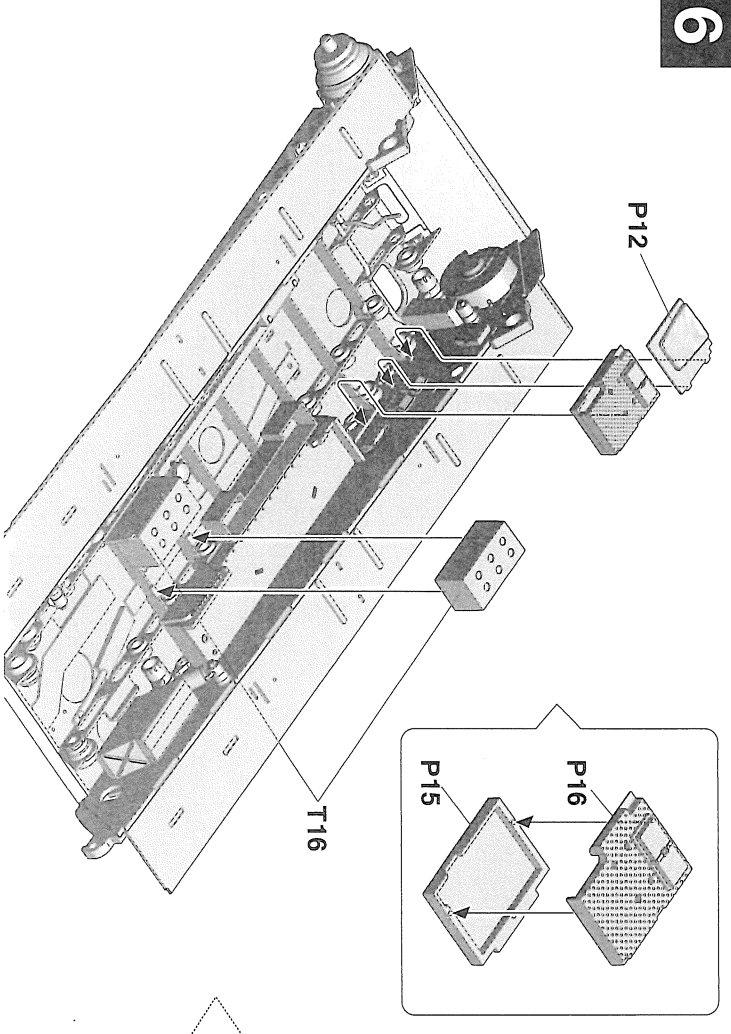
5



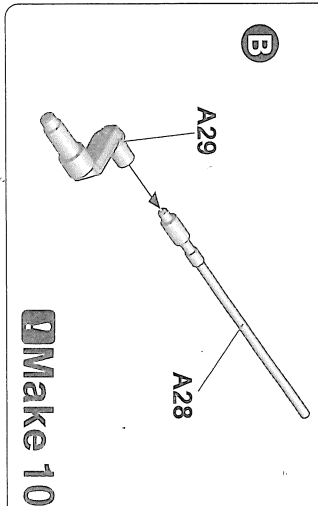
7



6



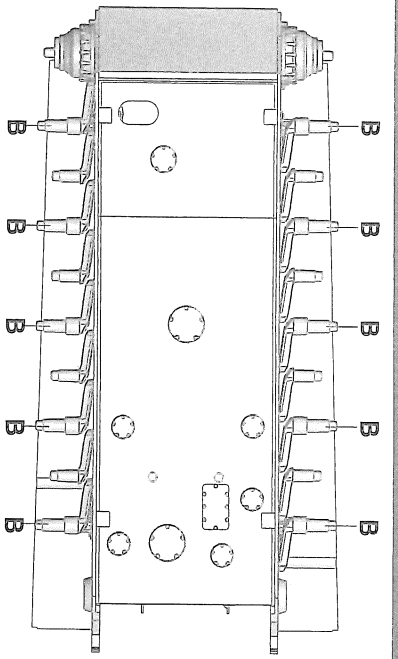
Make 8



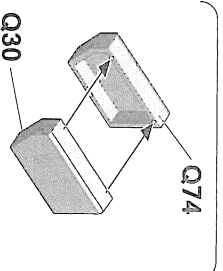
Make 10

5

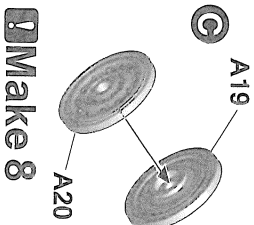
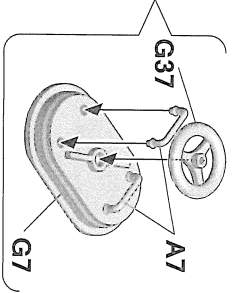
8



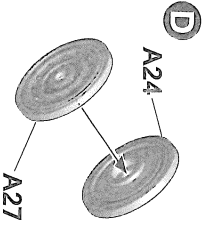
10



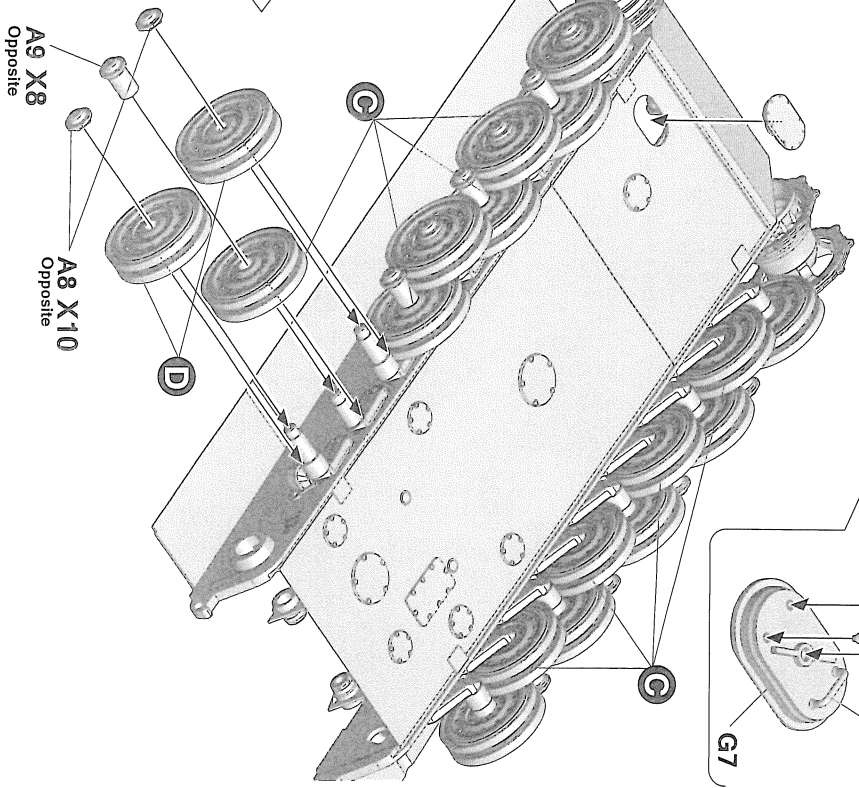
9



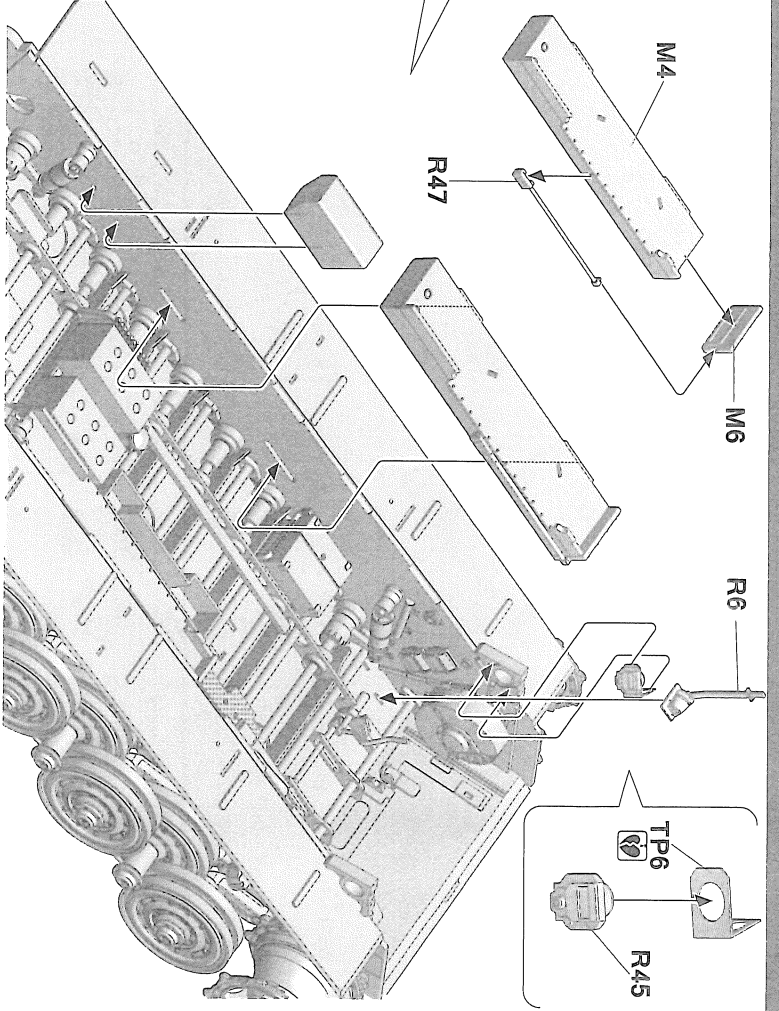
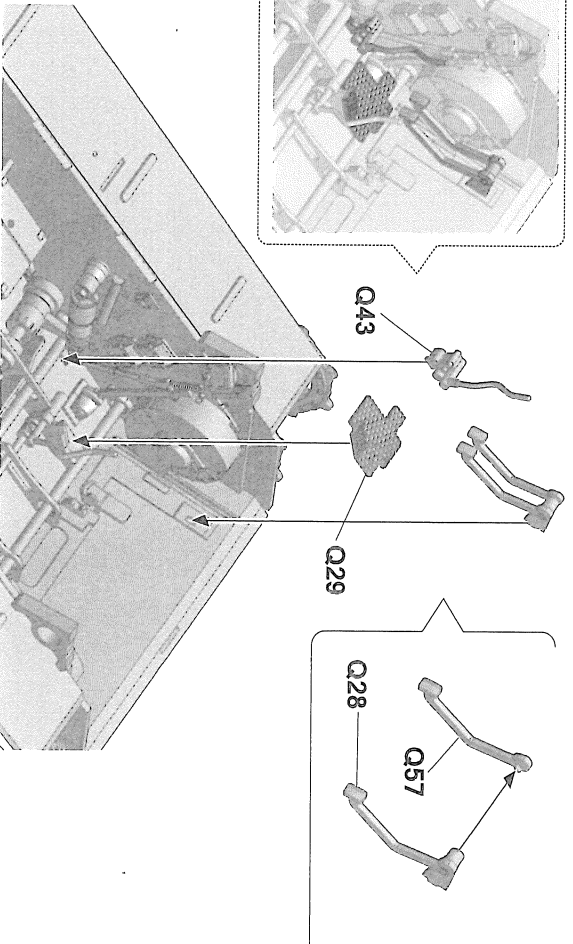
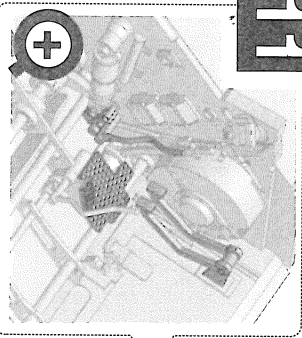
Make 8



Make 10

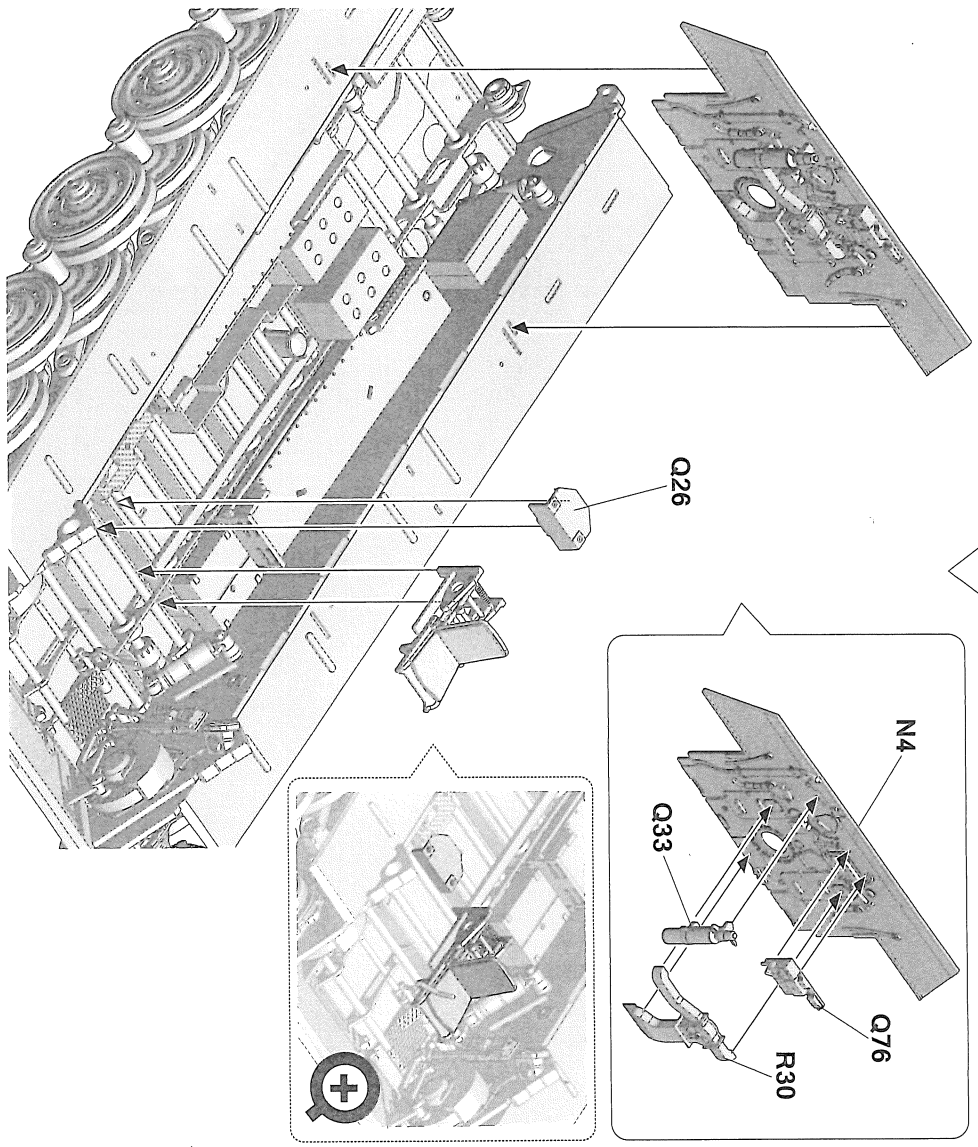
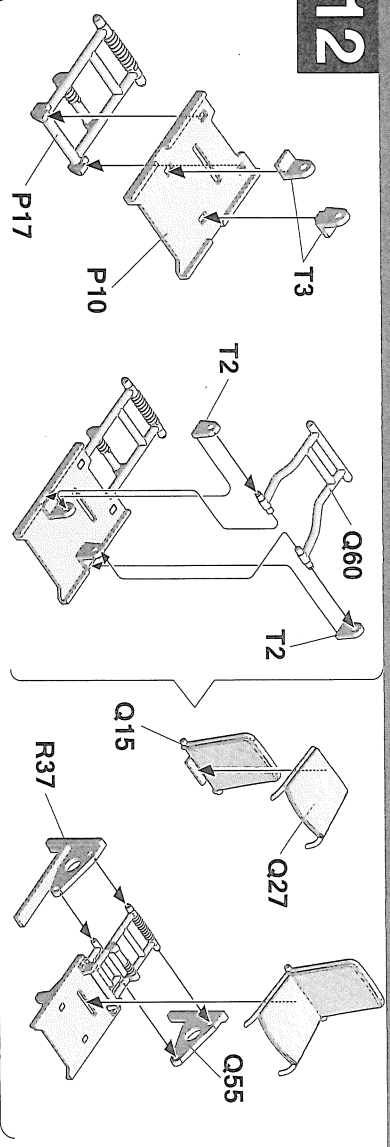


11

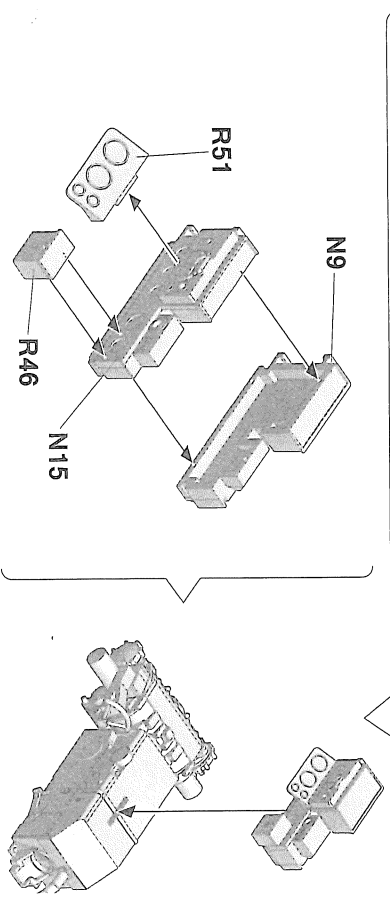
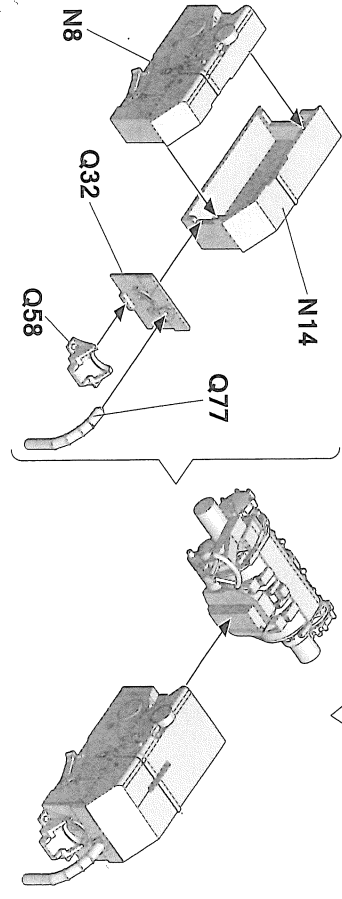
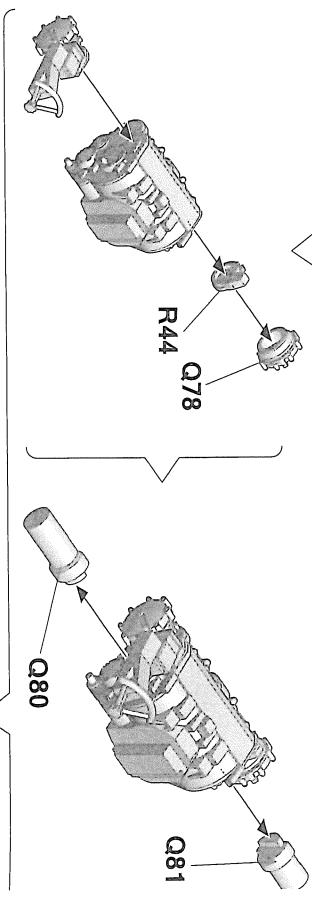
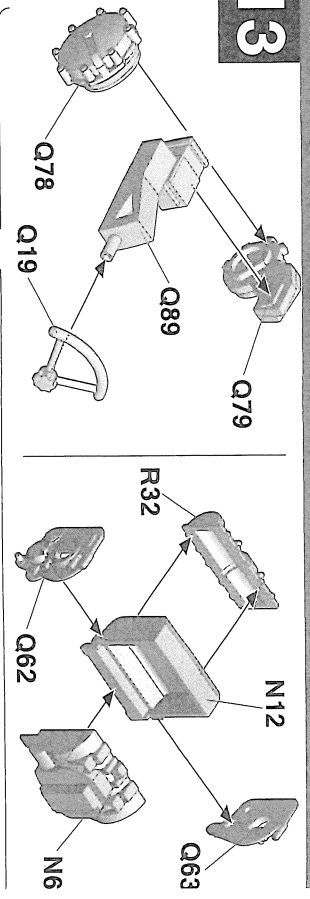




# 12

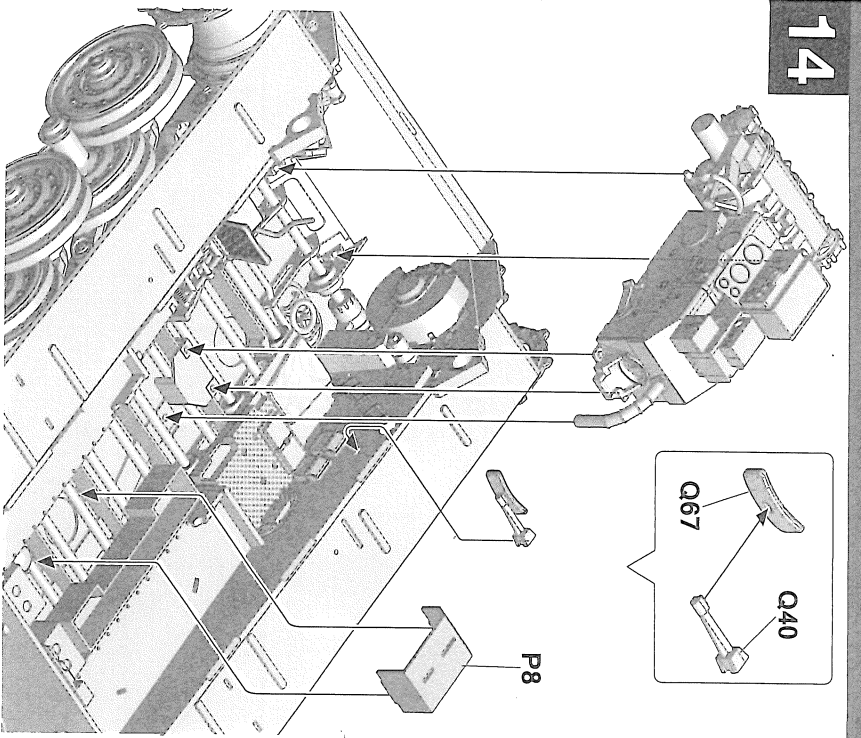


# 13

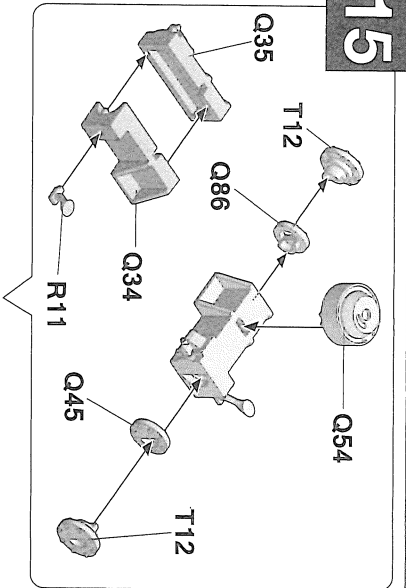




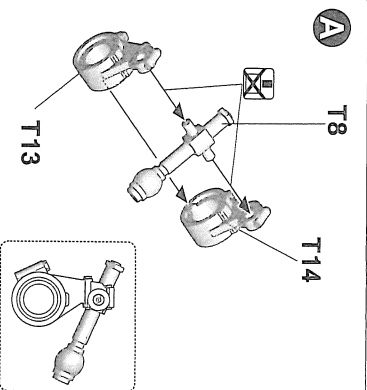
14



15



A



T8

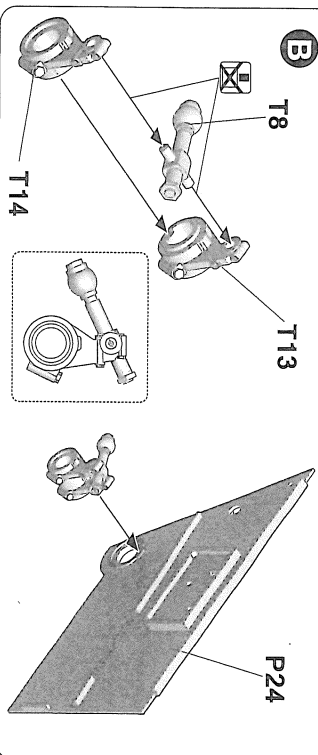
T14

T13

P25



B



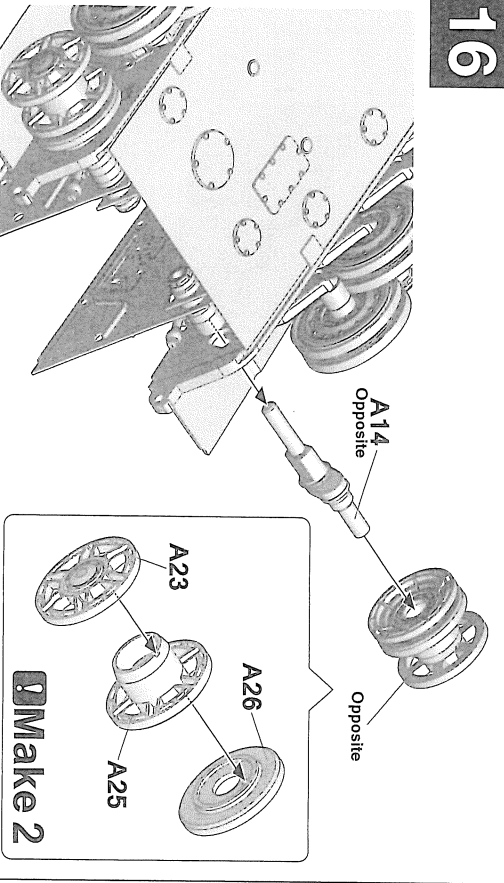
T8

T13

T14

P24

16



A14

Opposite

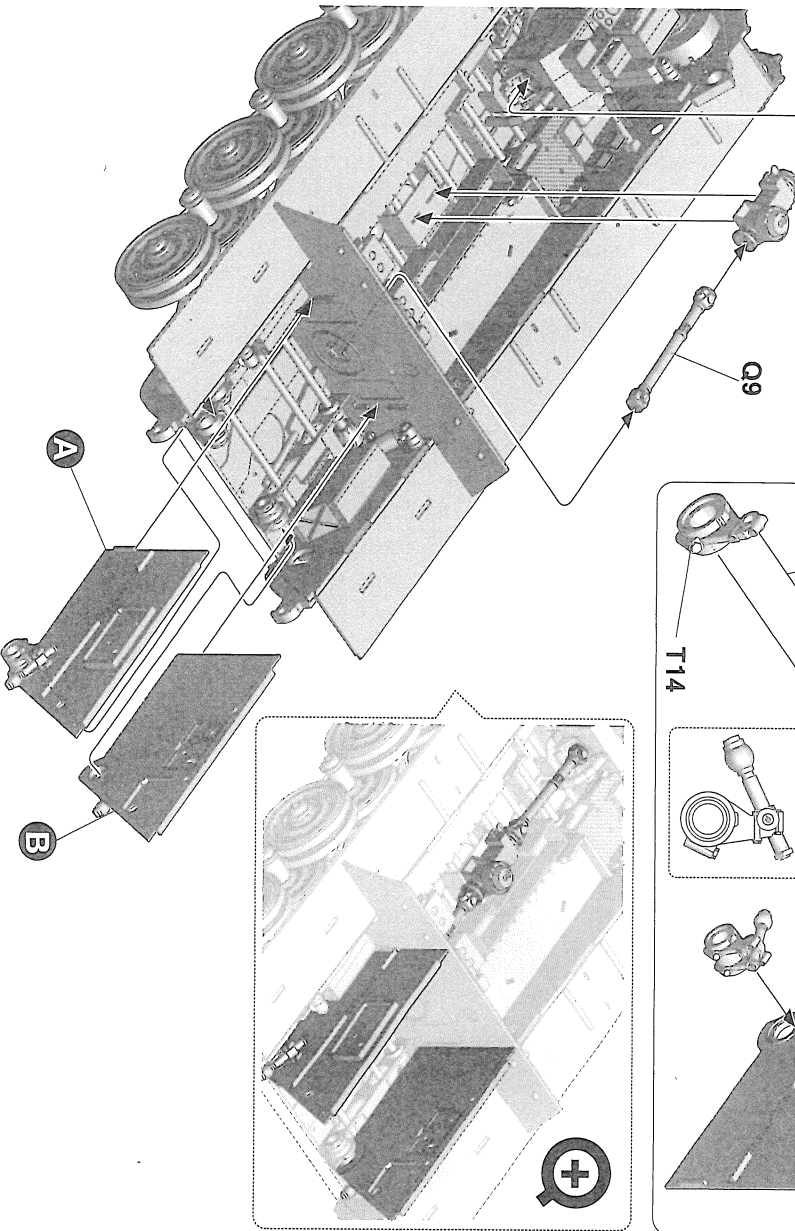
A23

A25

A26

Opposite

BMake 2



Q39

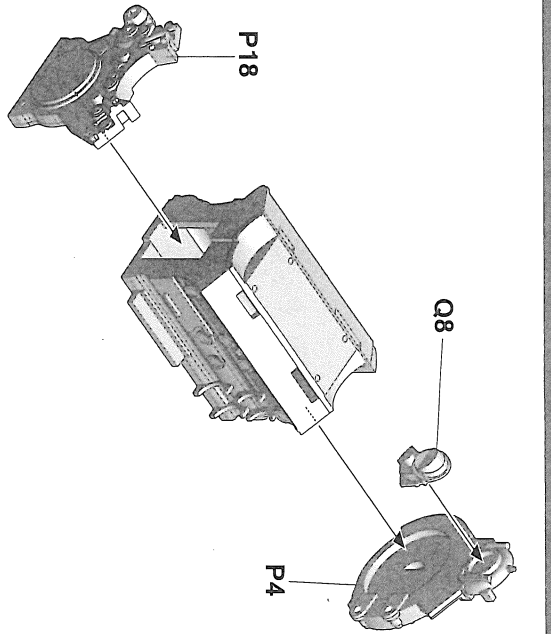
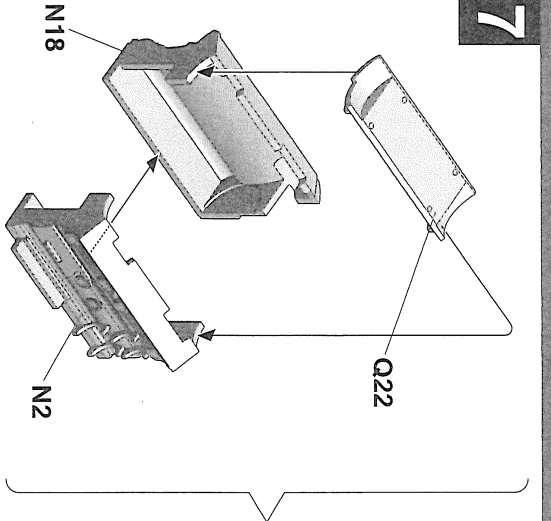
Q9

A

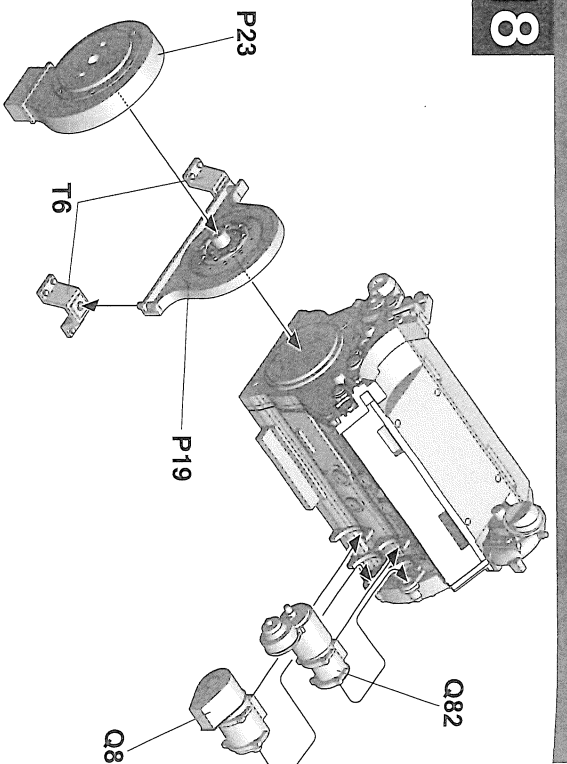
B



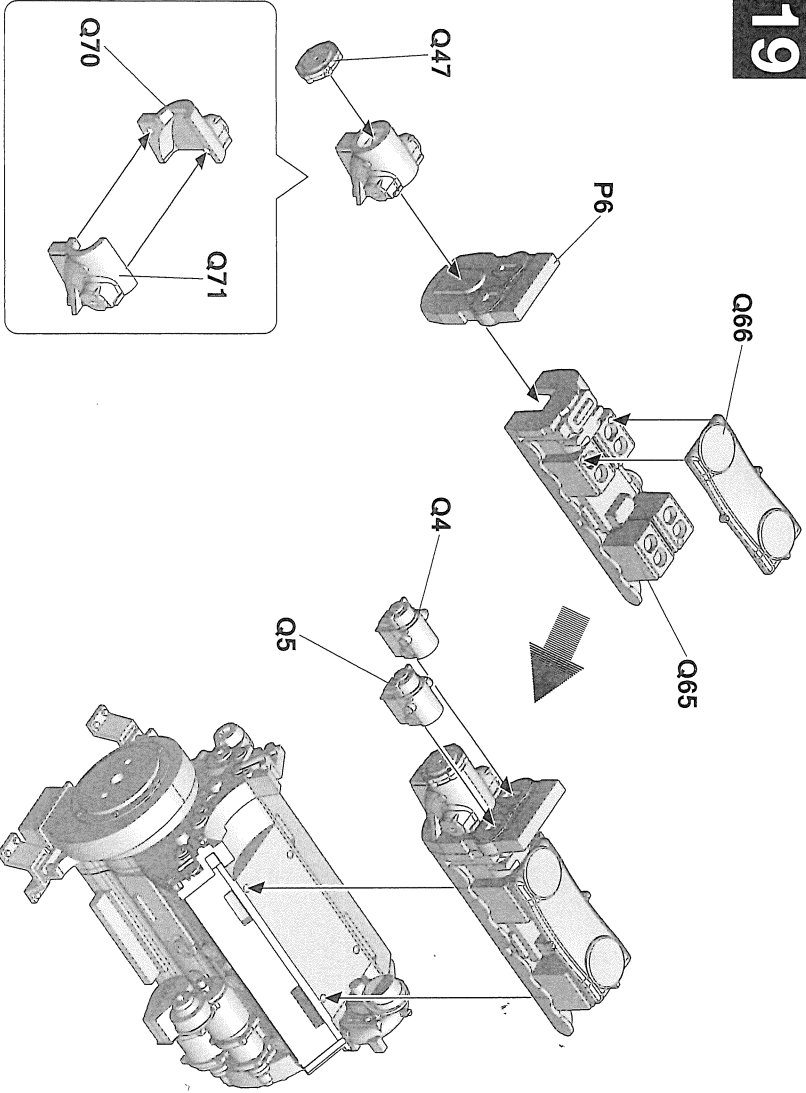
17



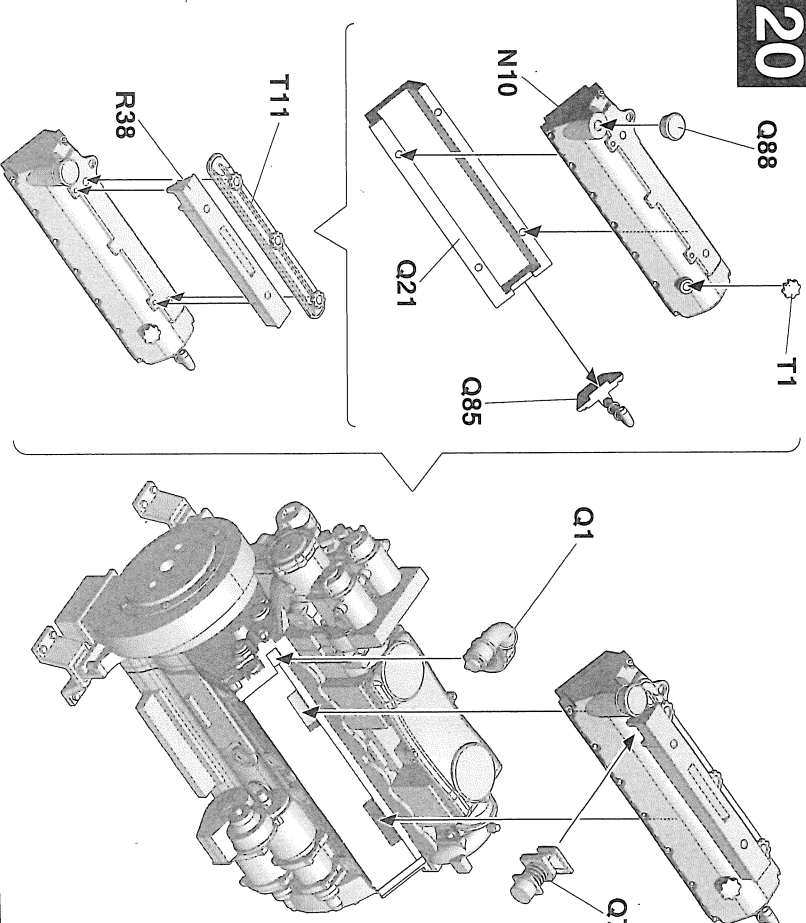
18



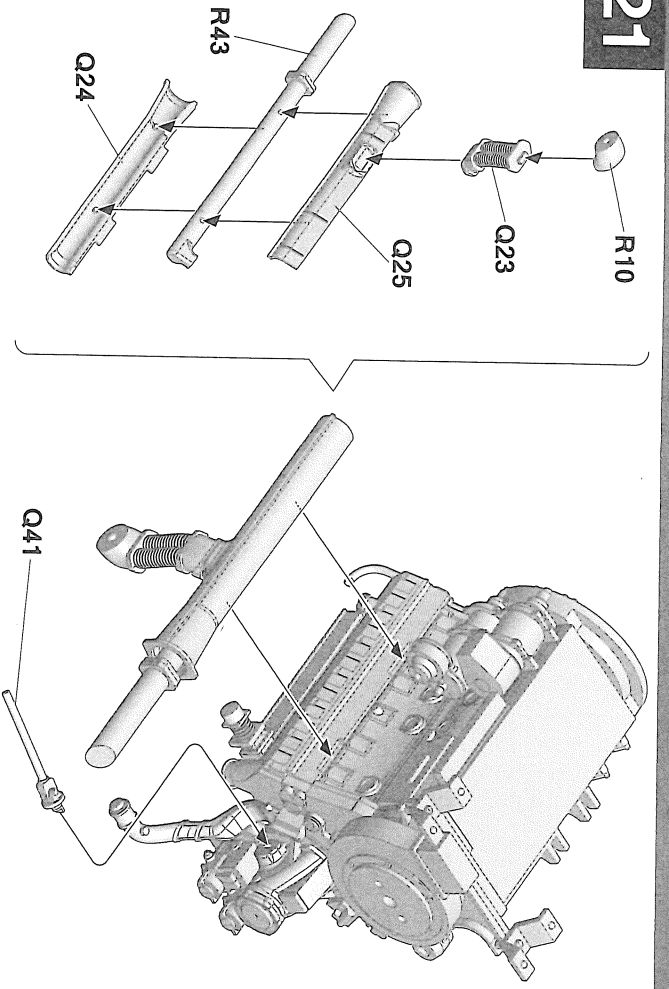
19



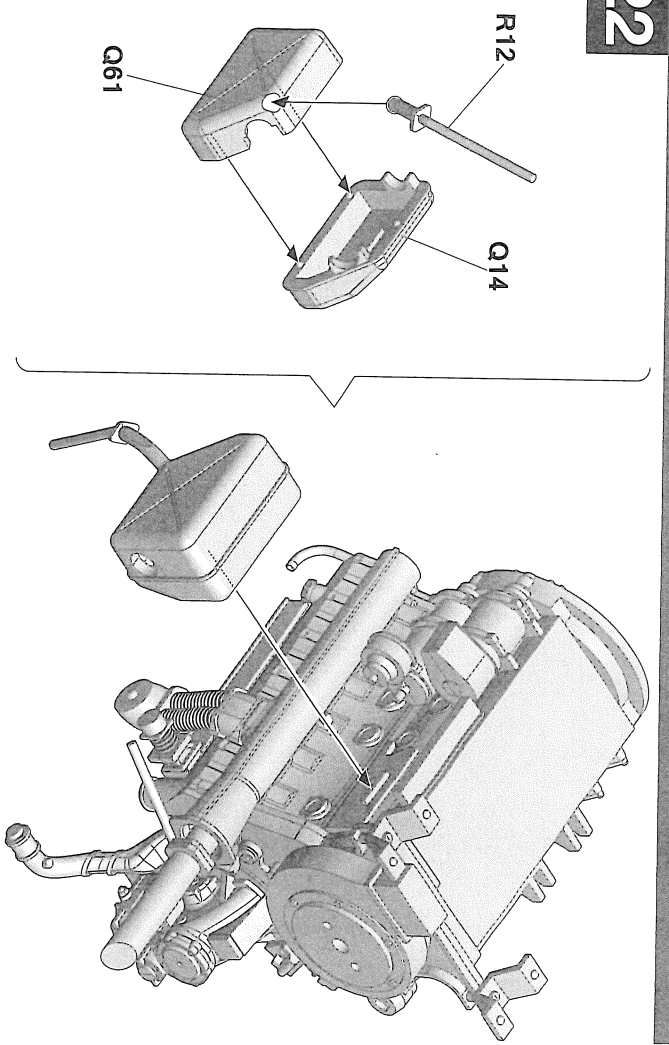
20



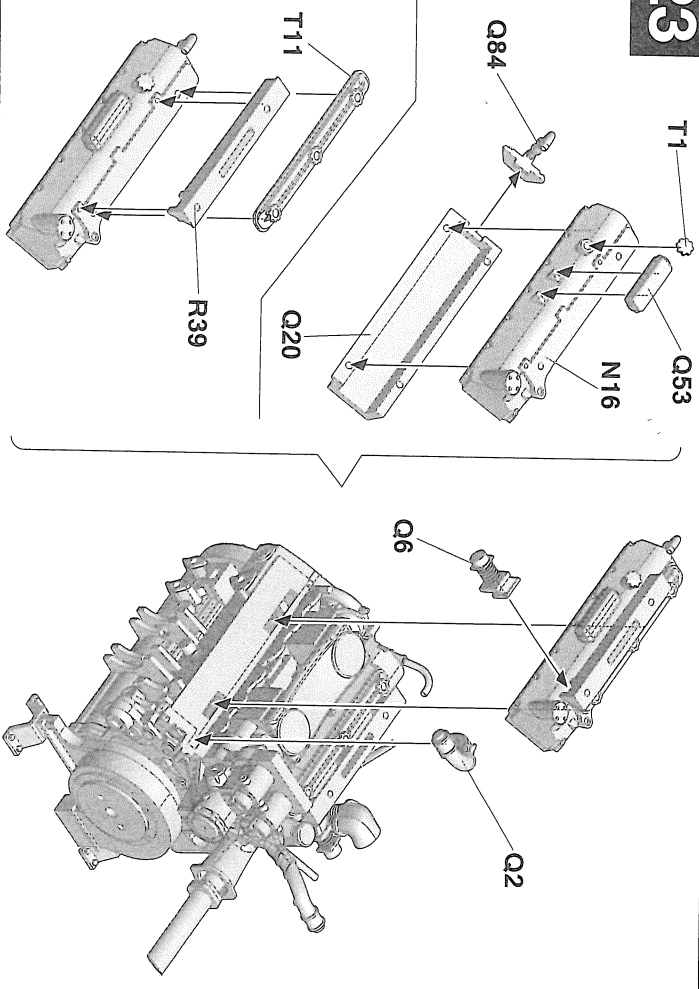
21



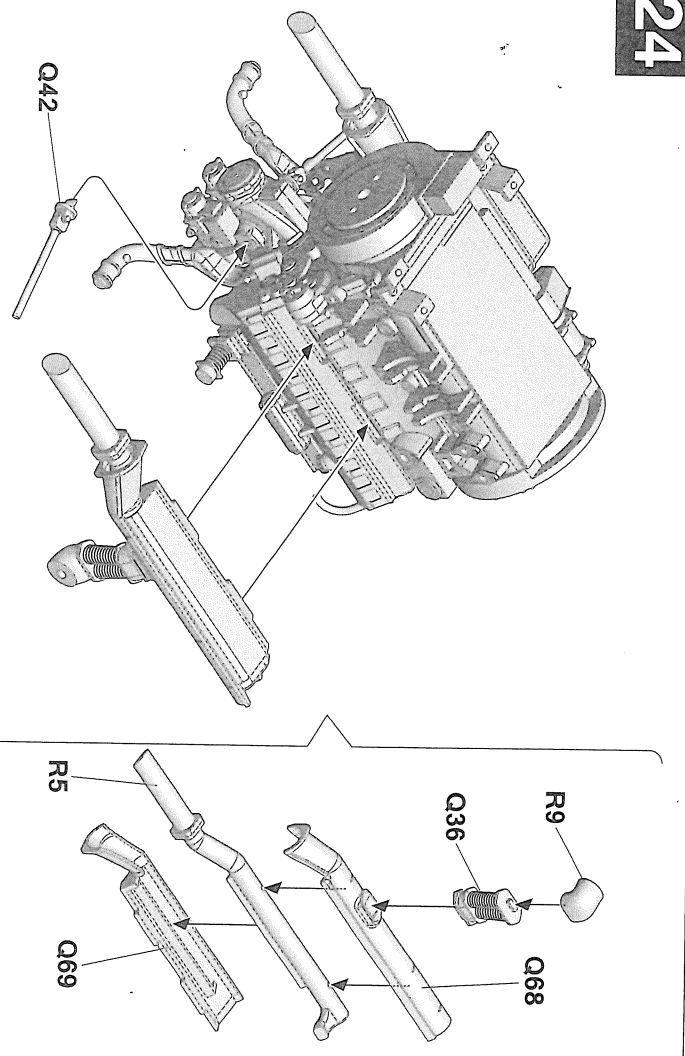
22

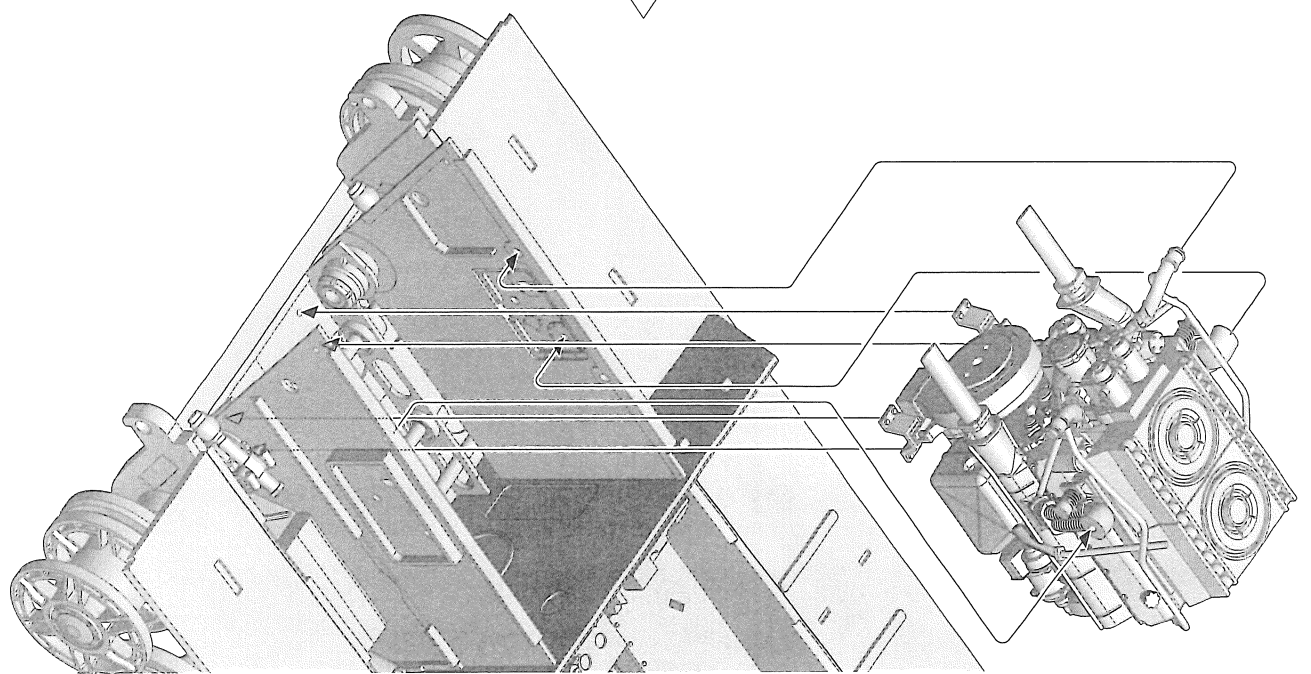
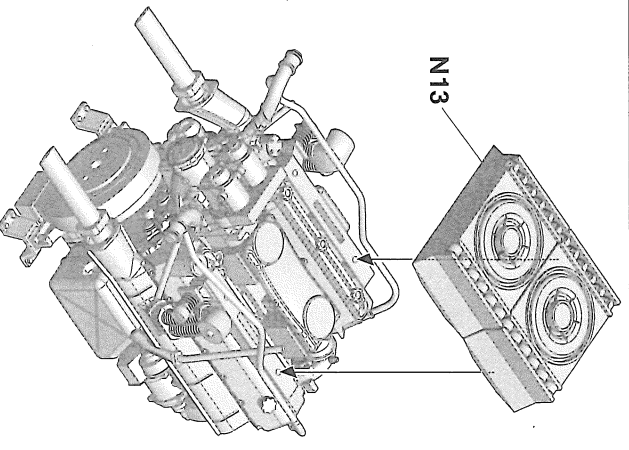
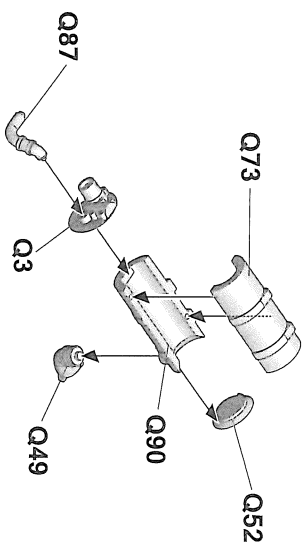
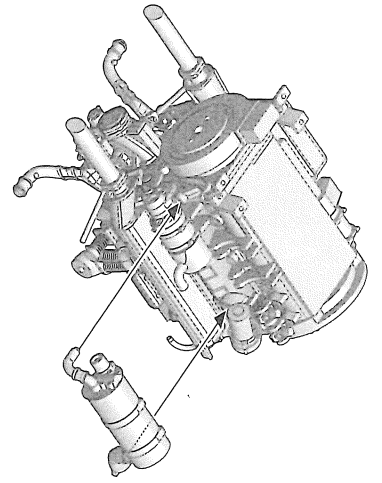
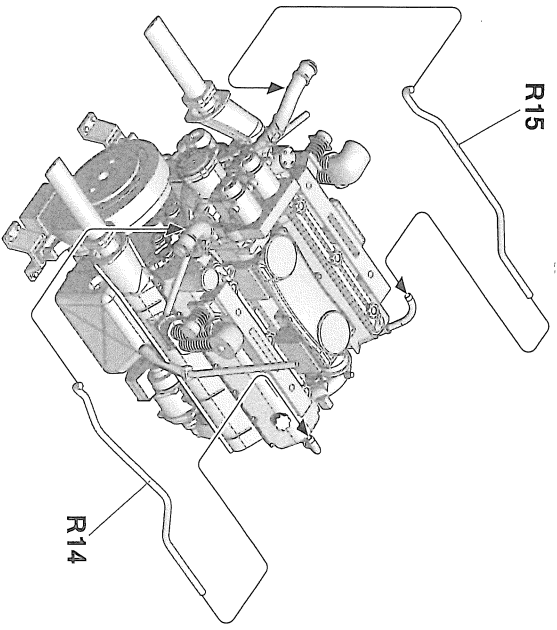
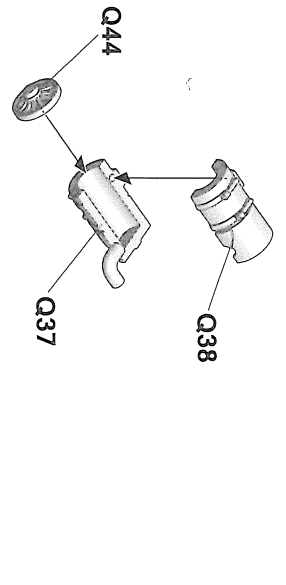
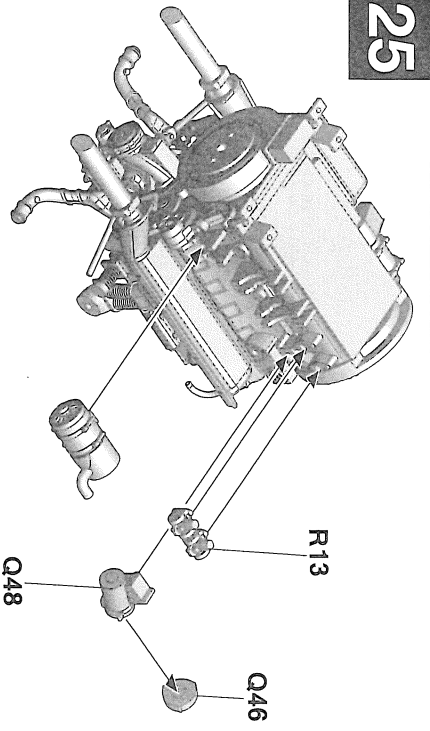


23

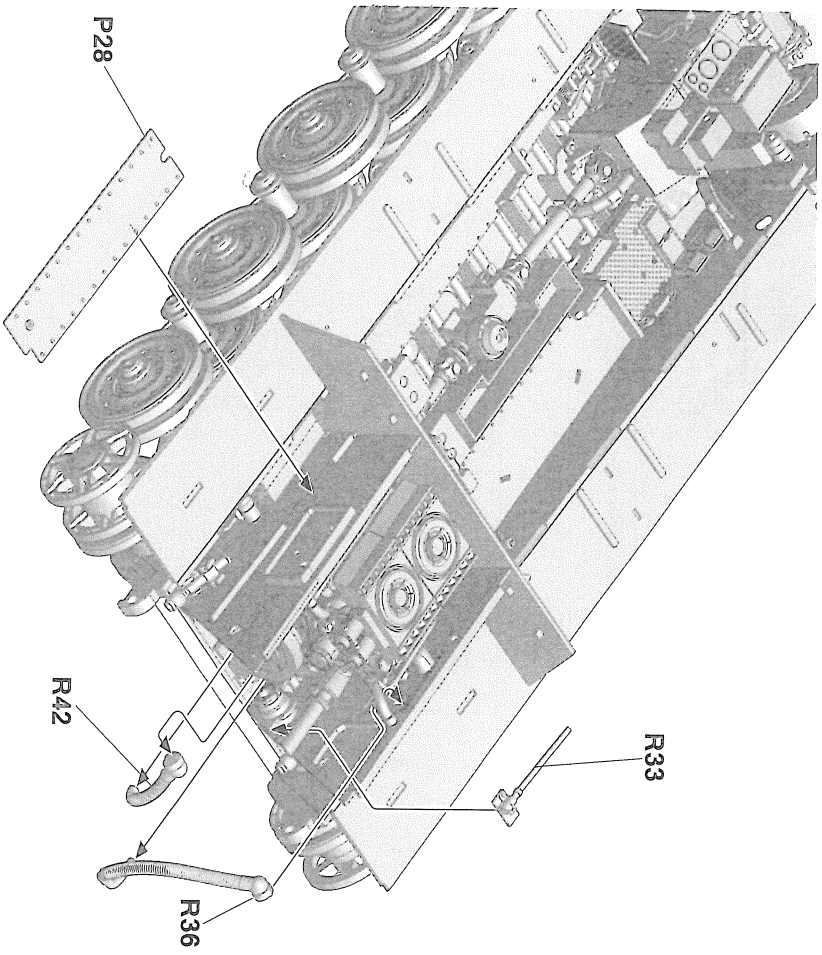
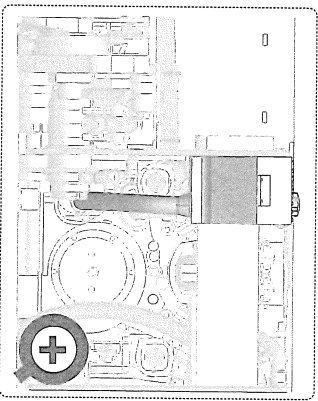
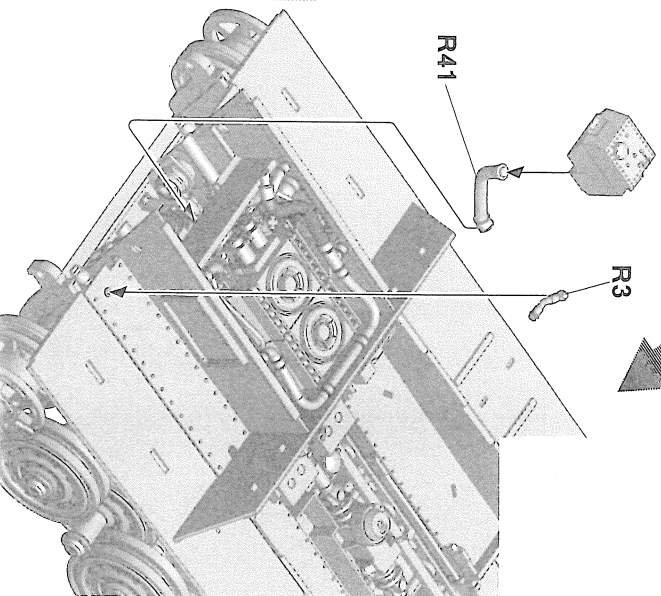
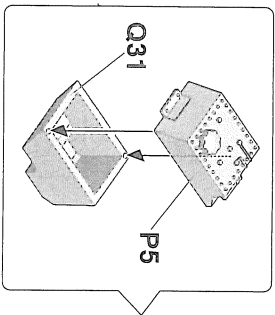
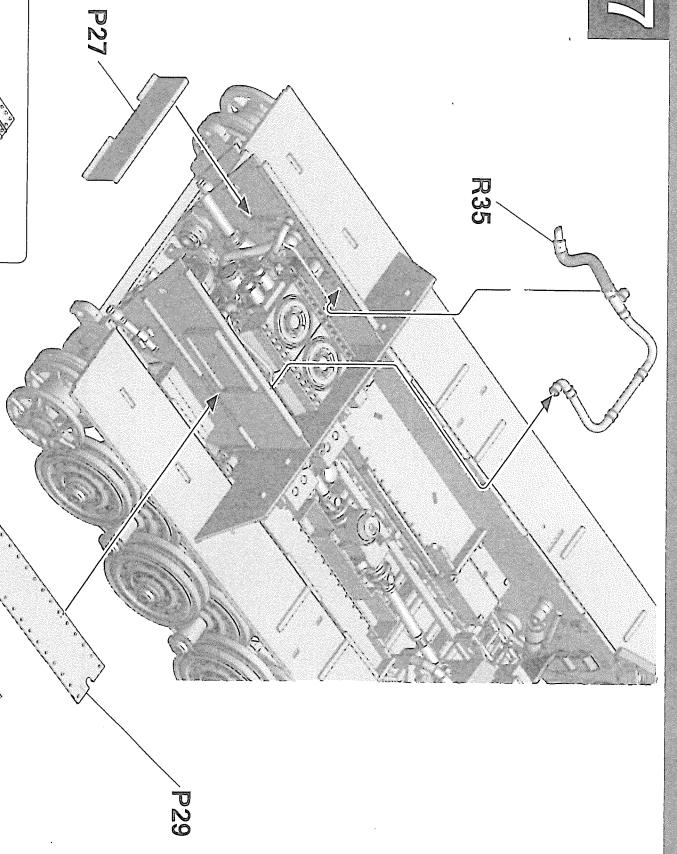
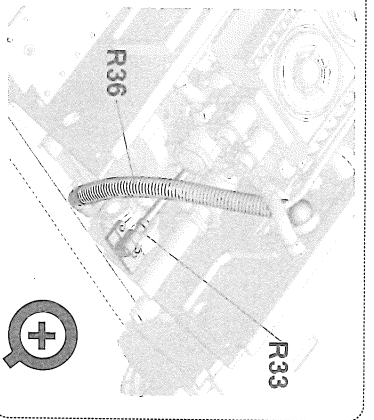
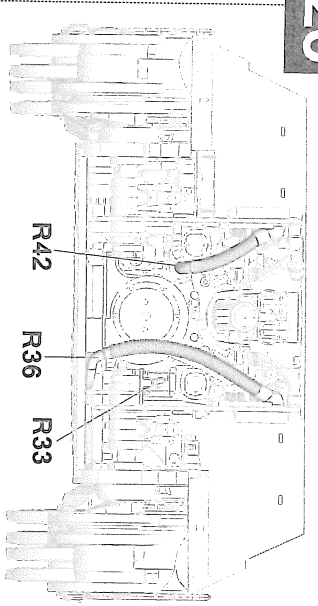


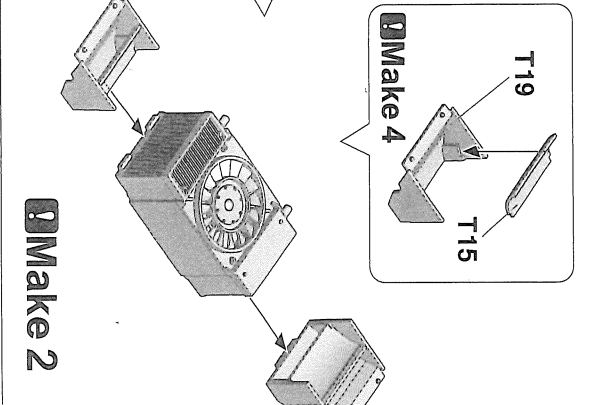
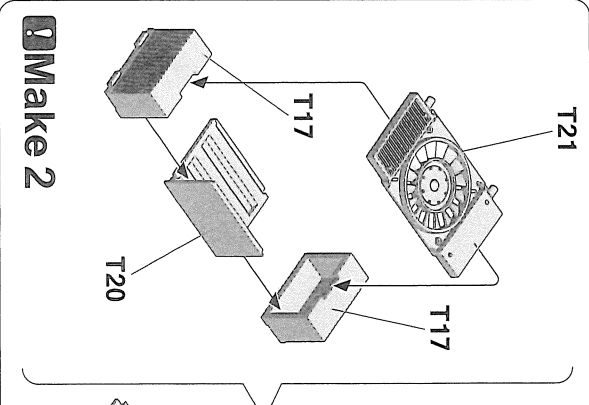
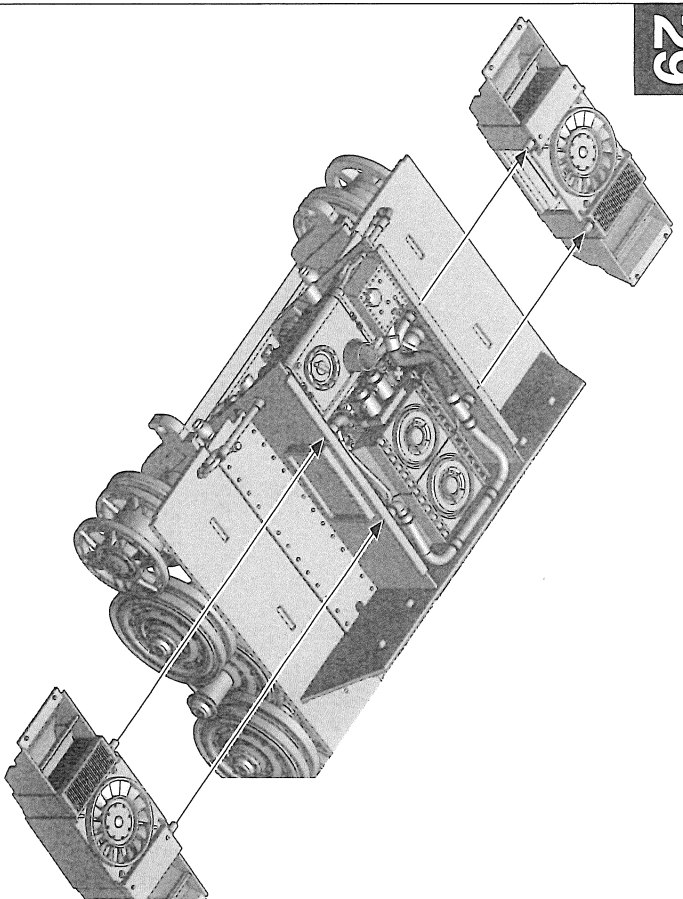
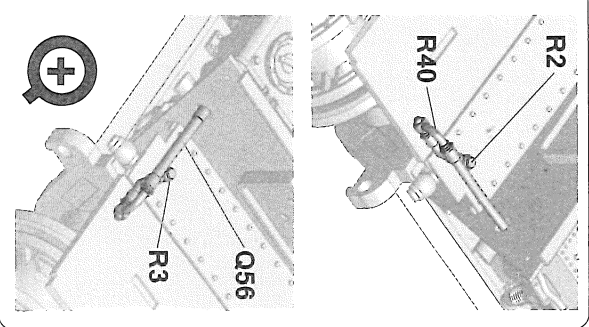
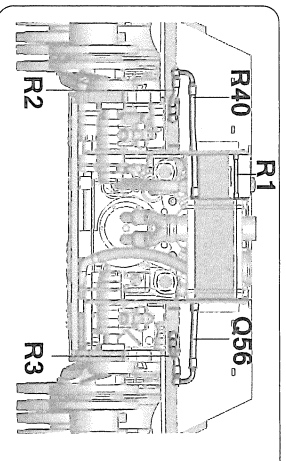
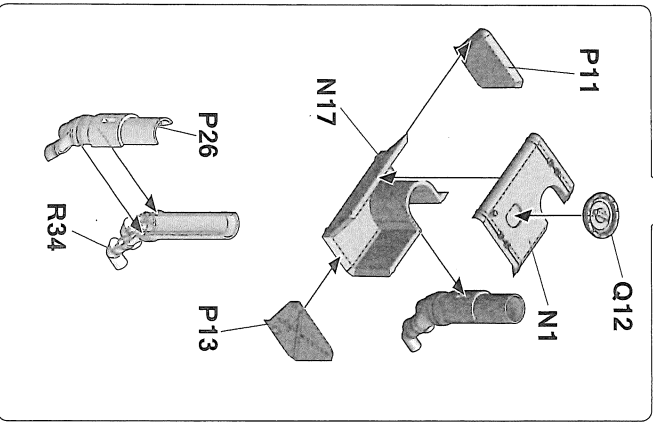
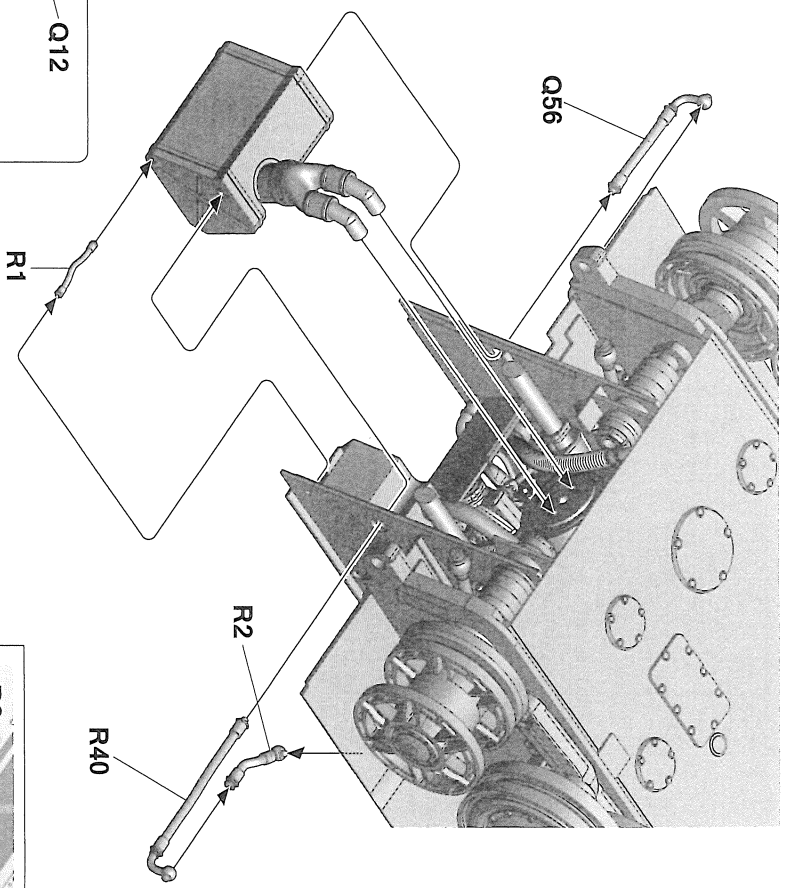
24

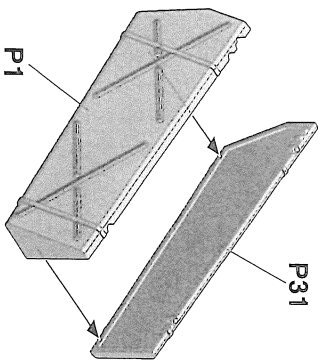




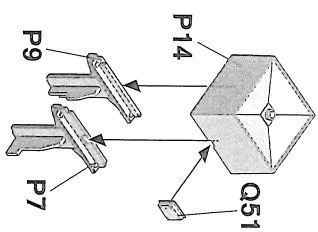
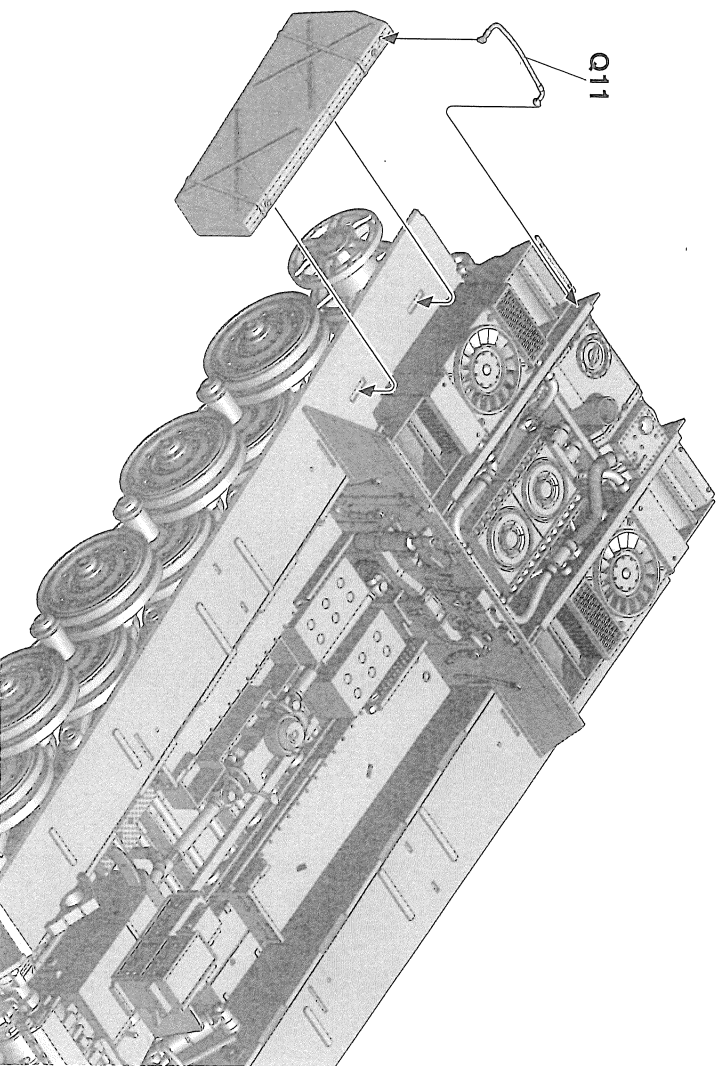




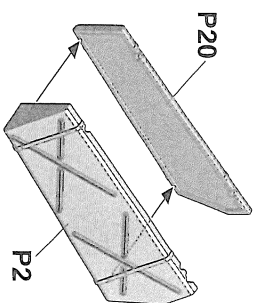
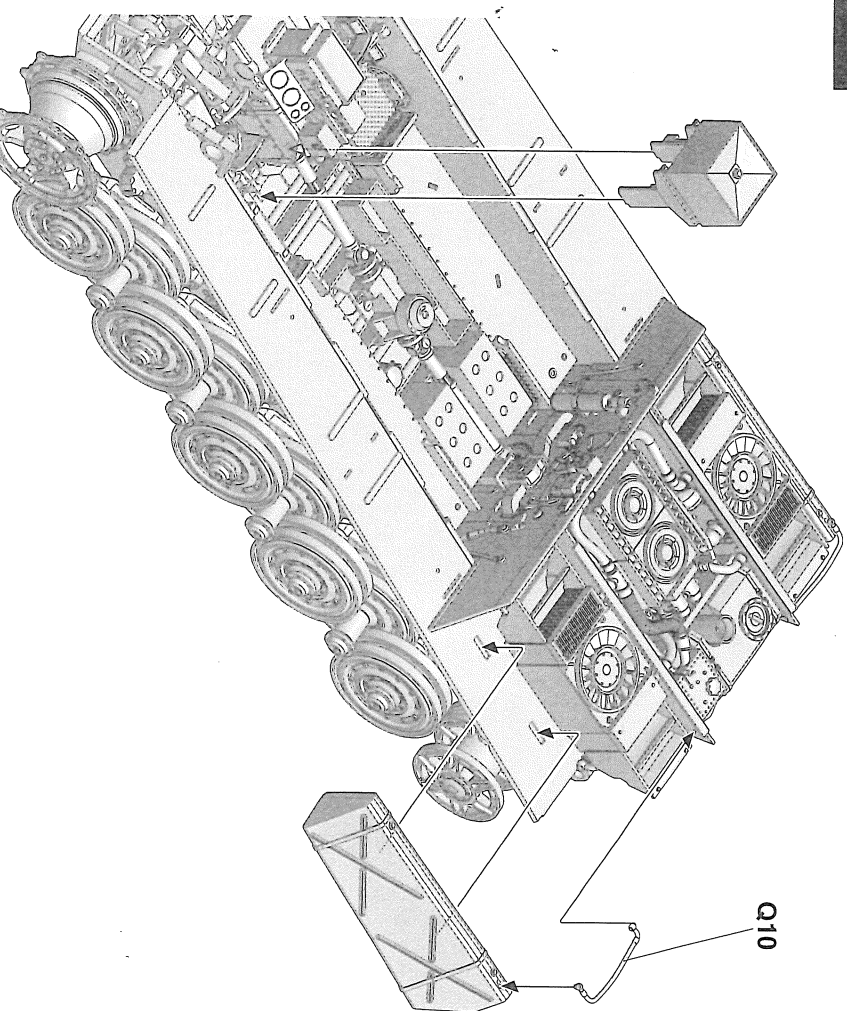




30

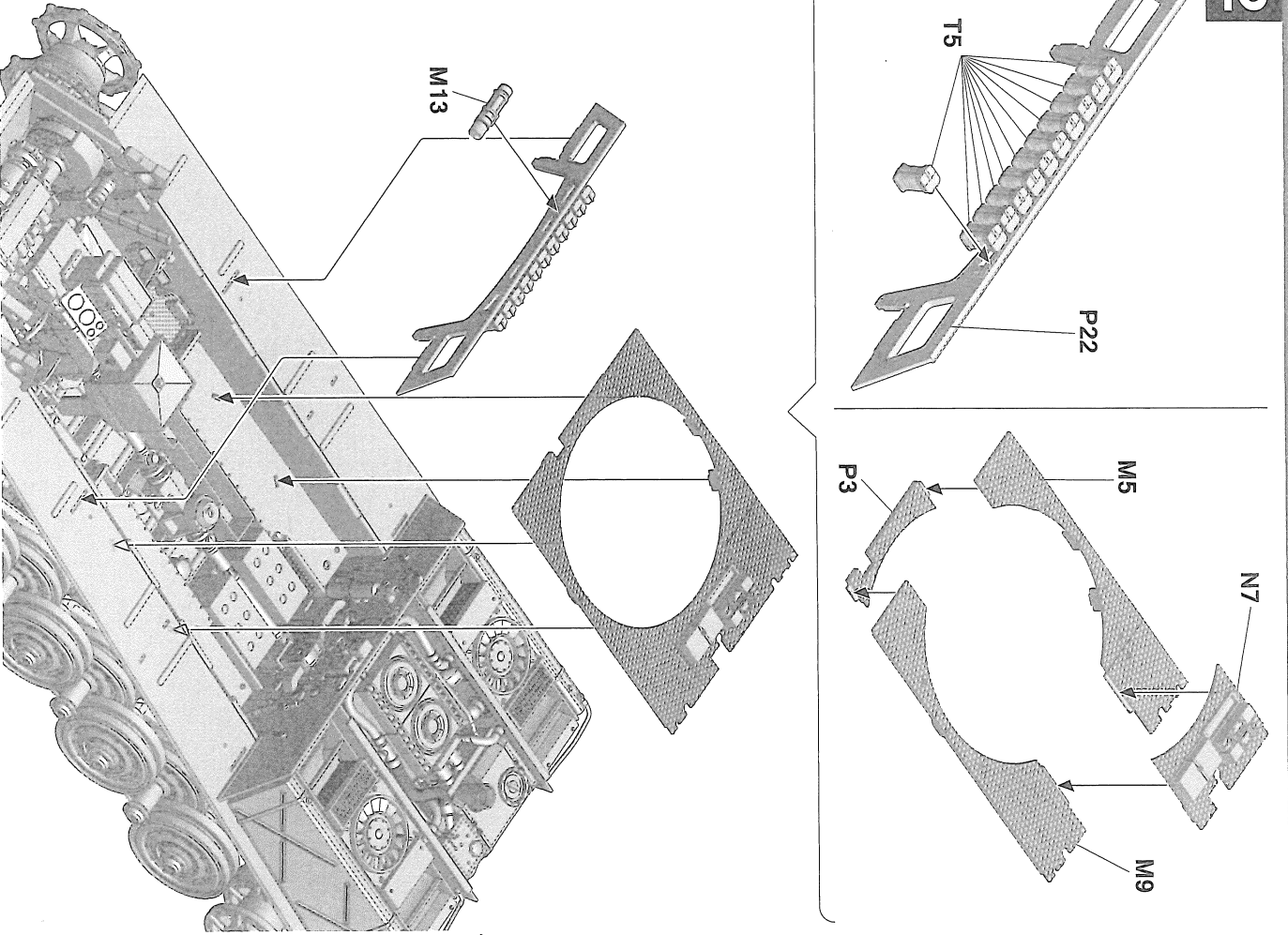


31

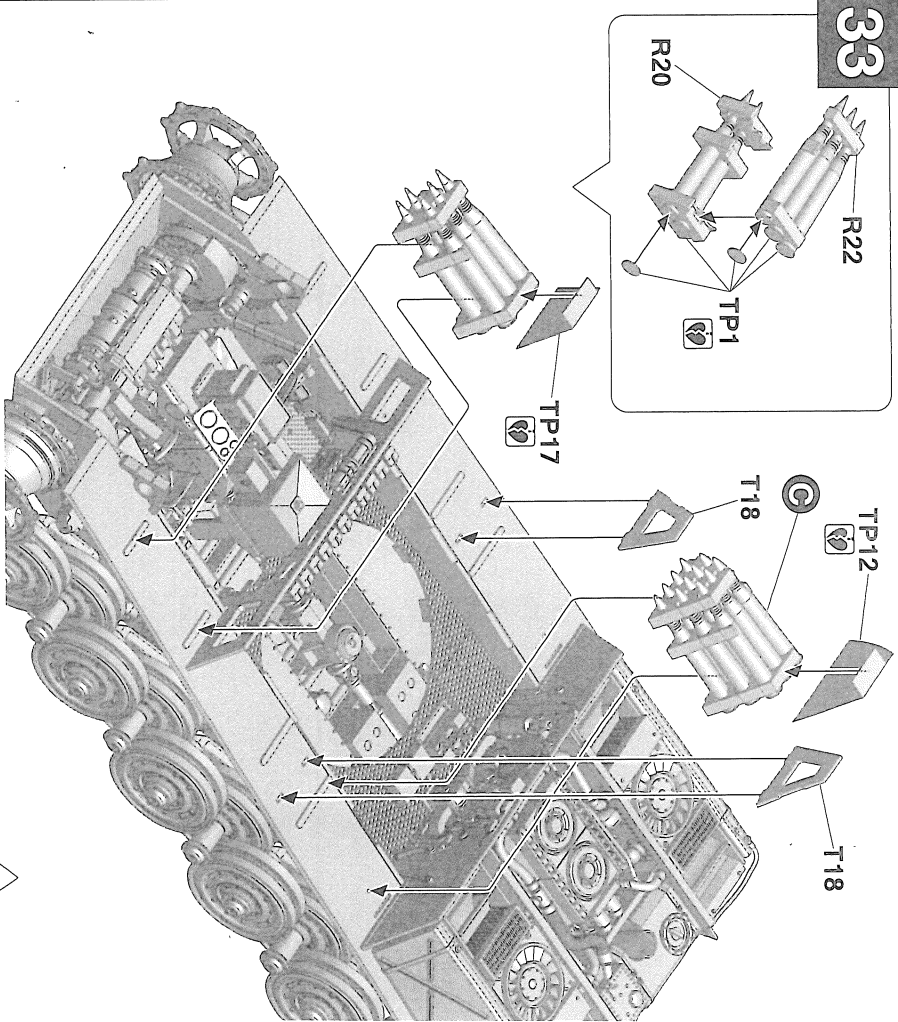




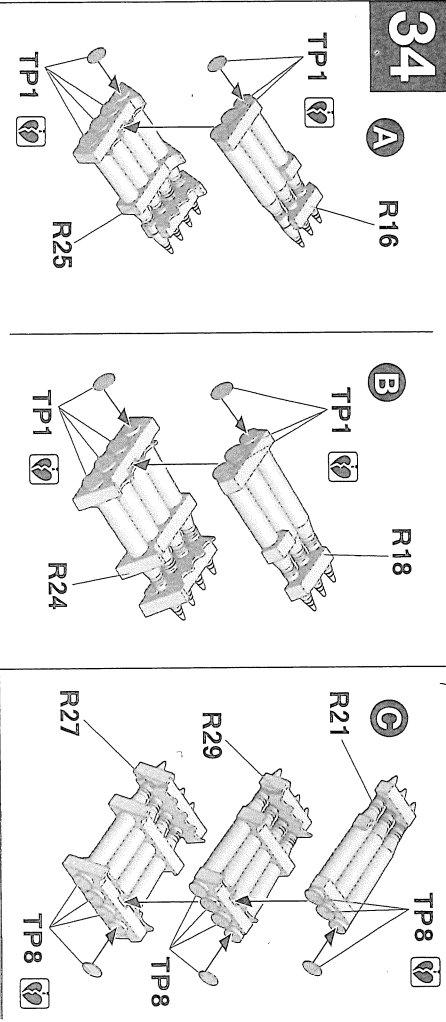
32



33

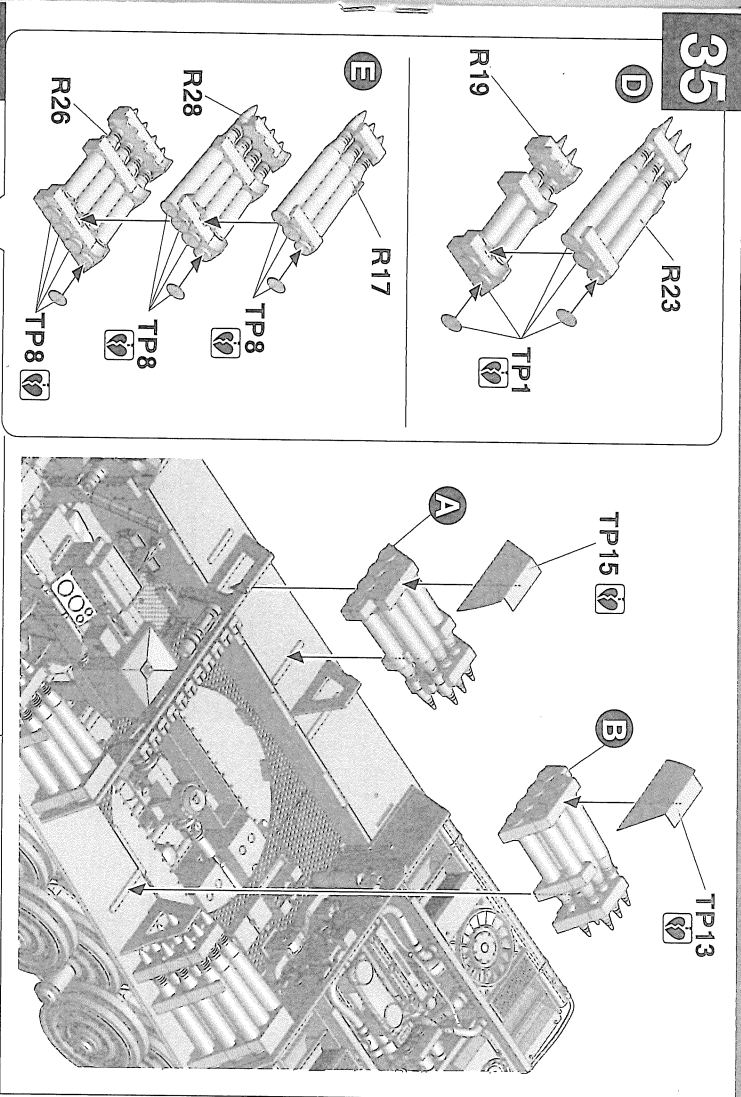


34

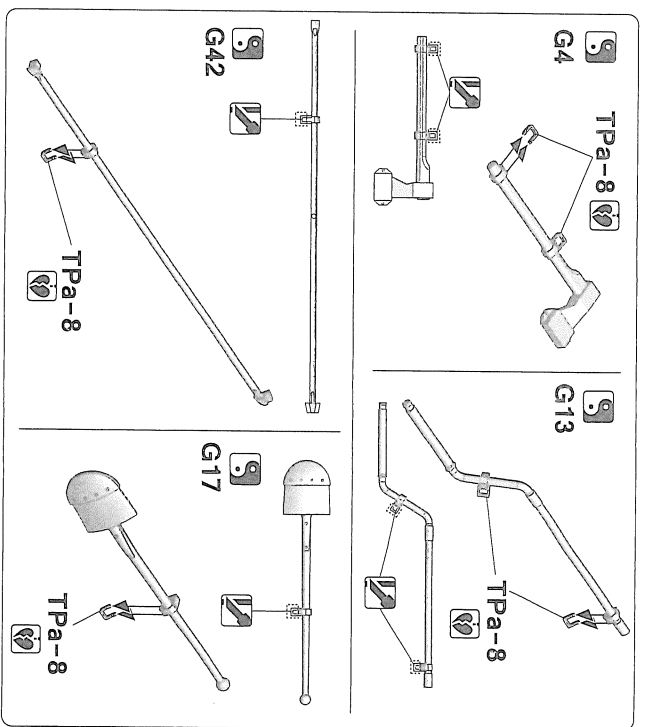
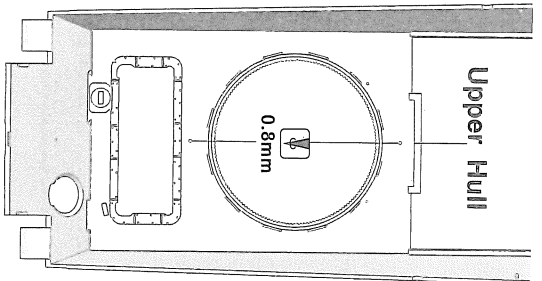




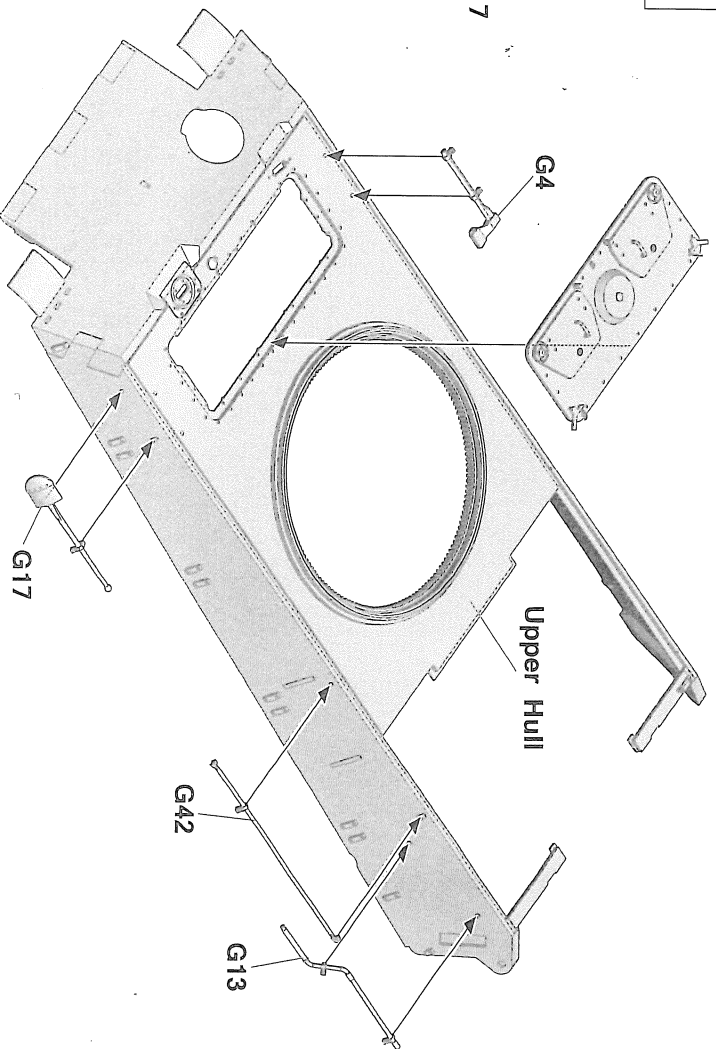
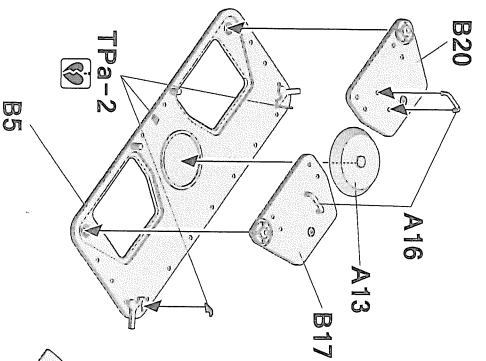
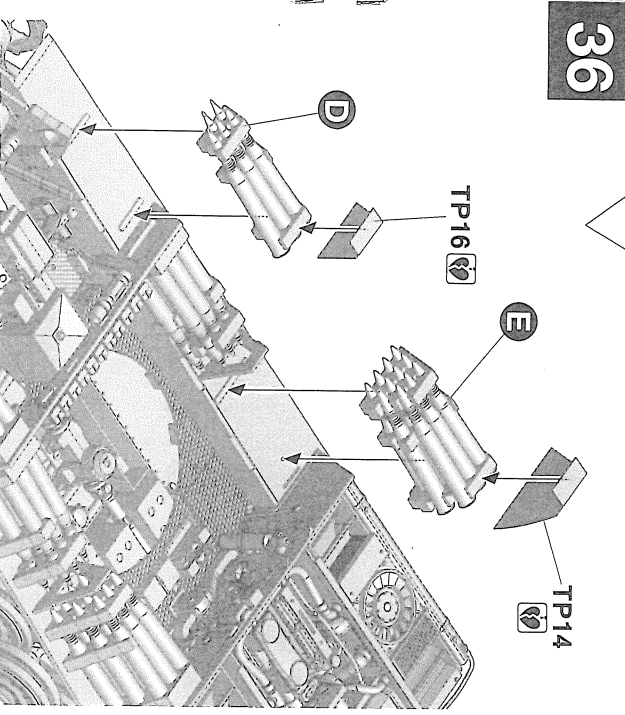
35



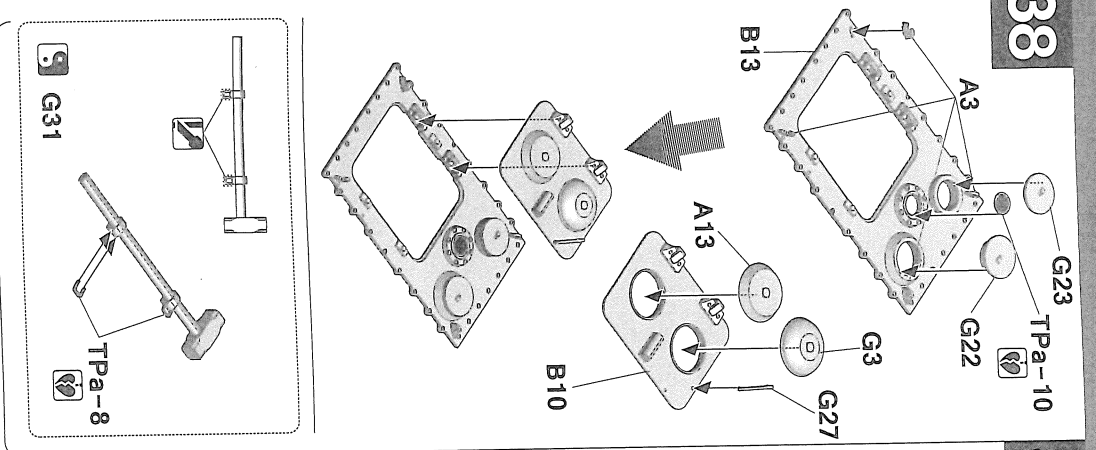
37



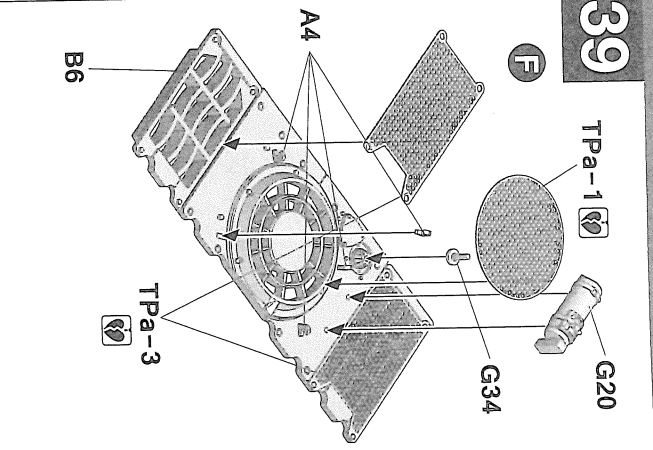
36



38

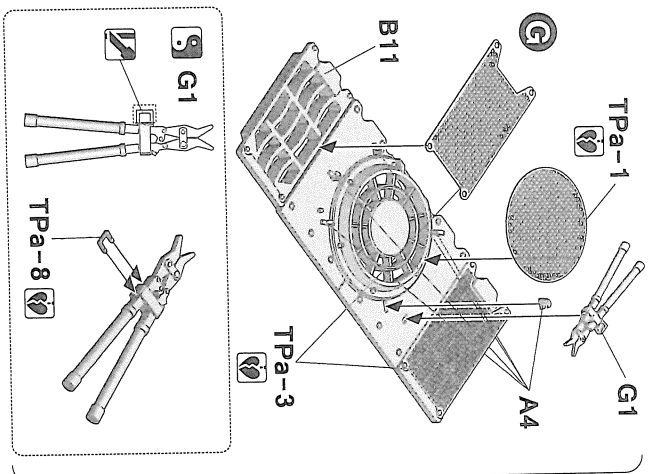


39

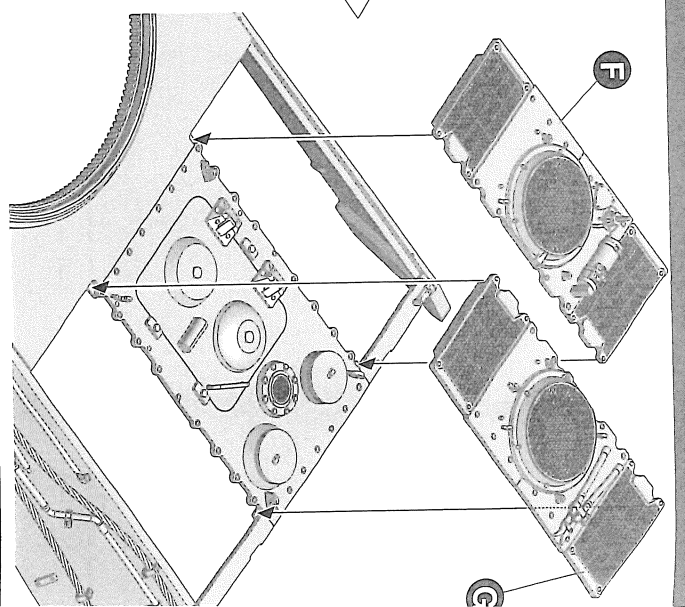
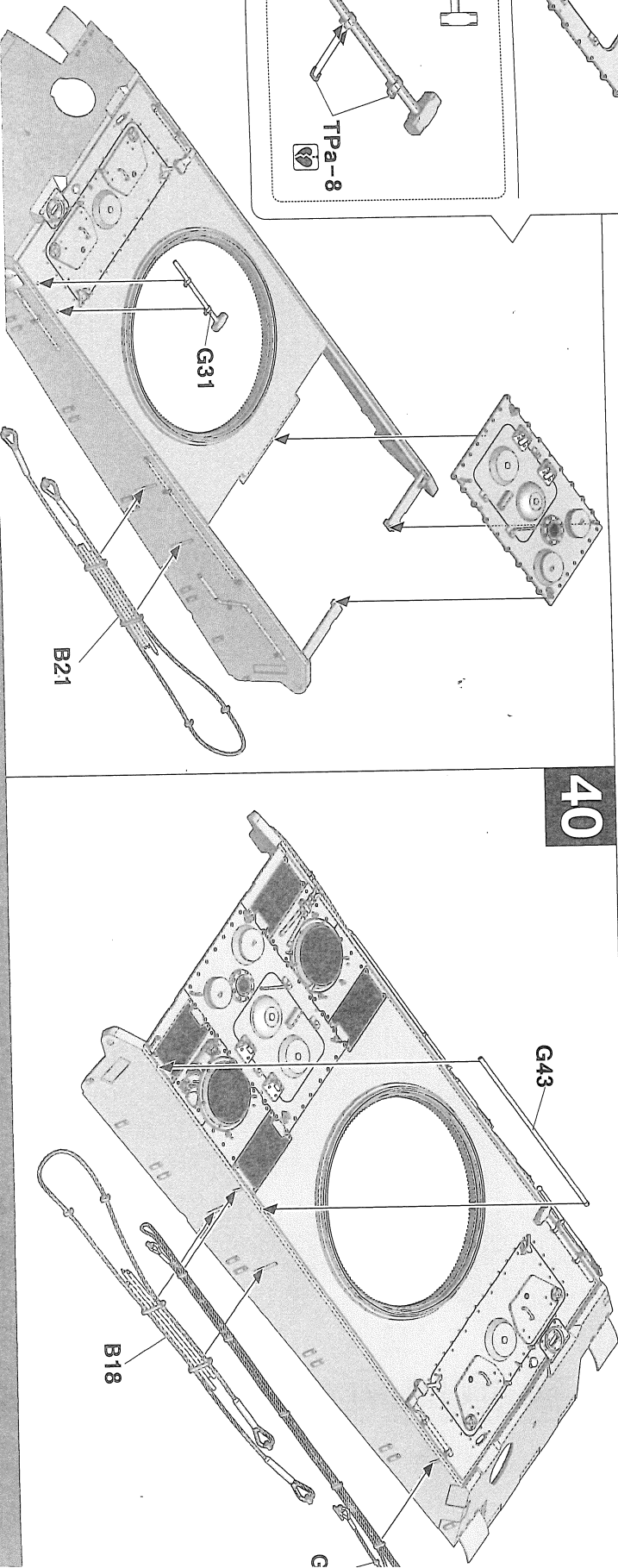


F

G



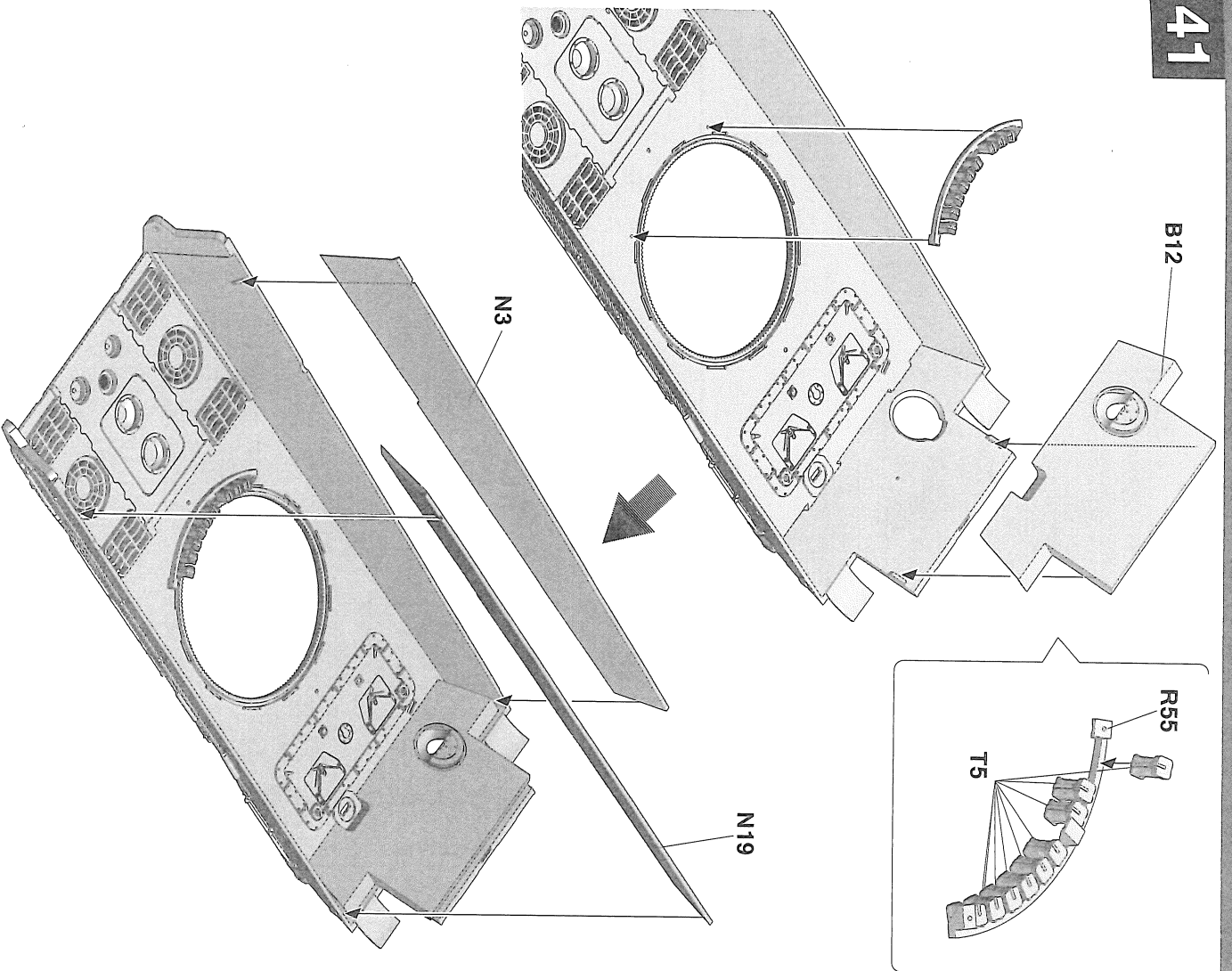
40



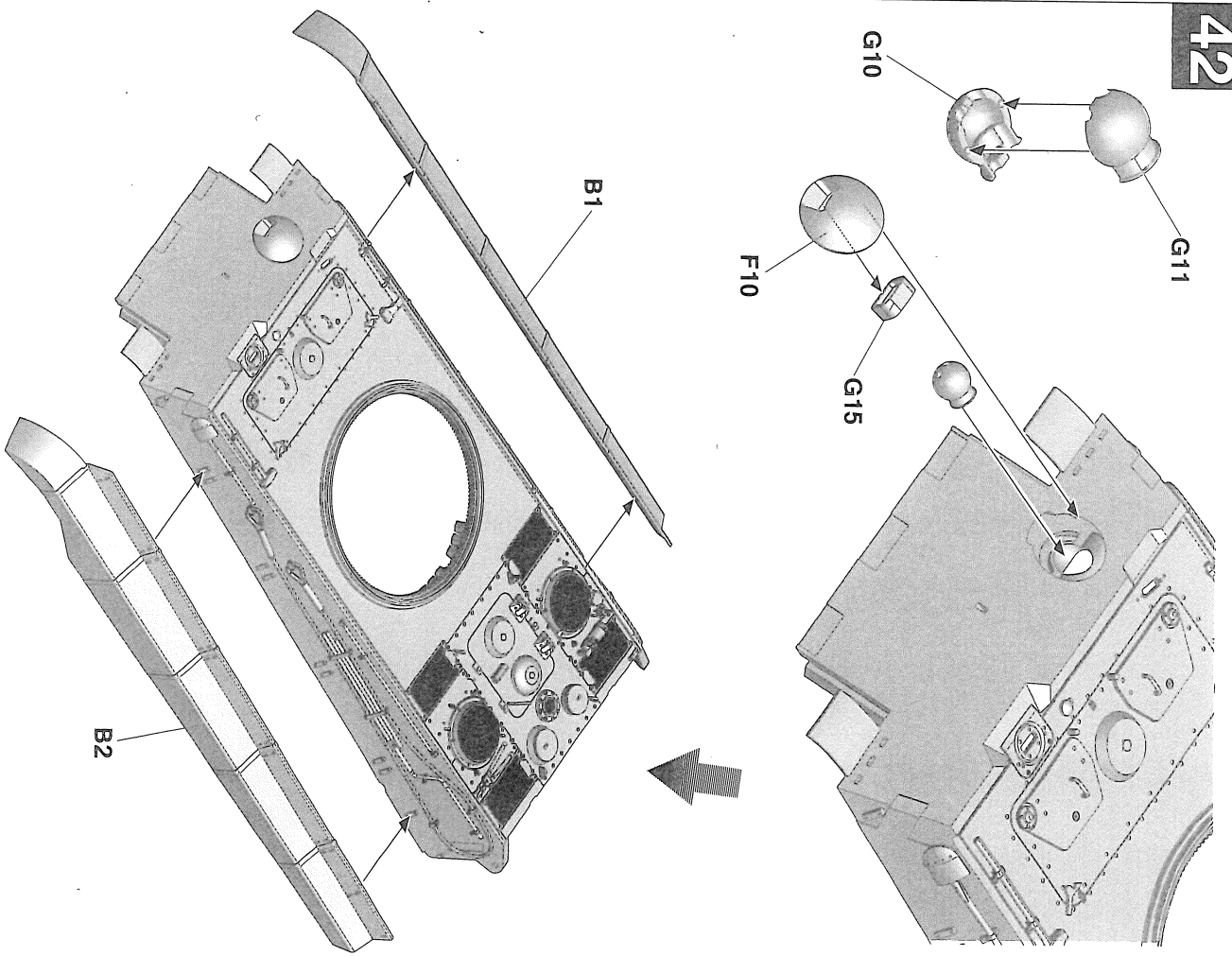
F

G

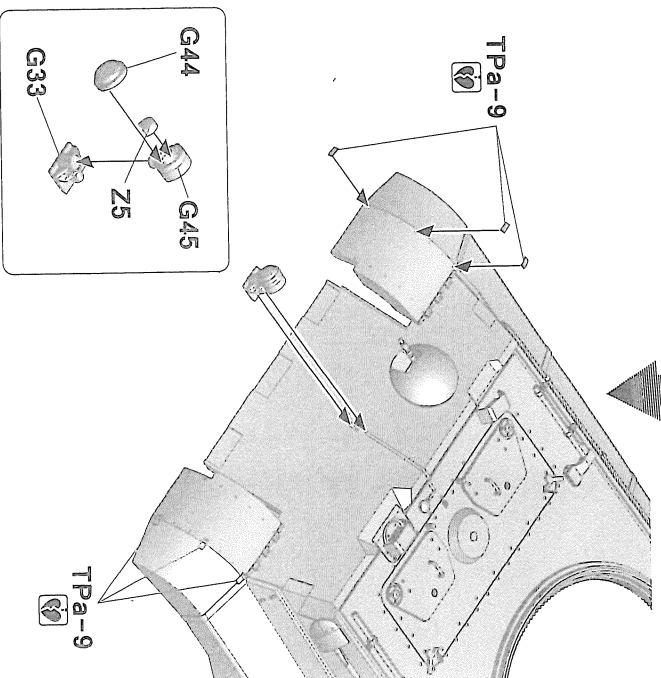
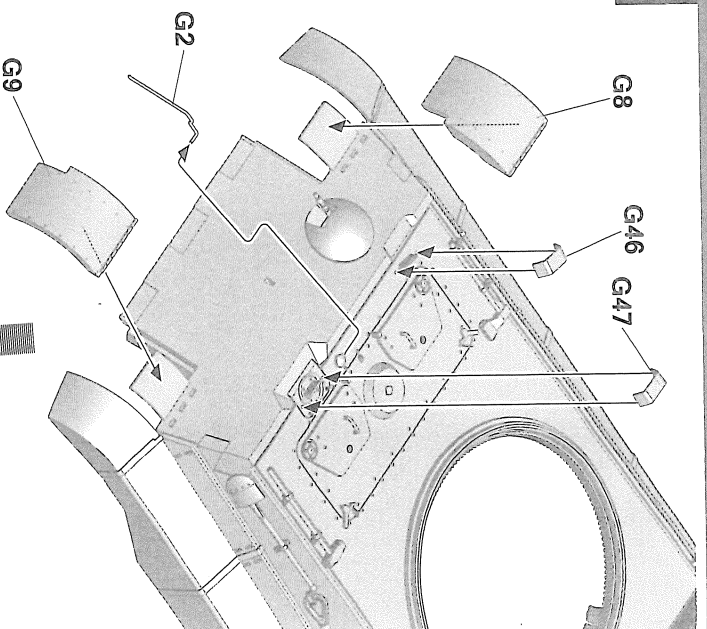
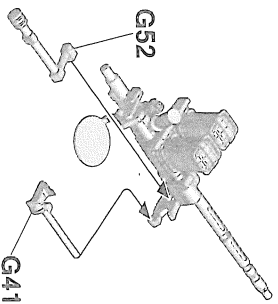
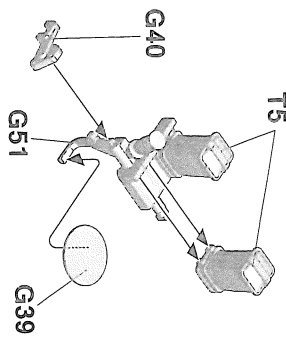
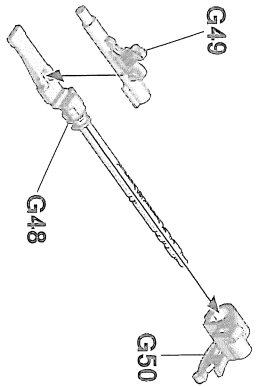
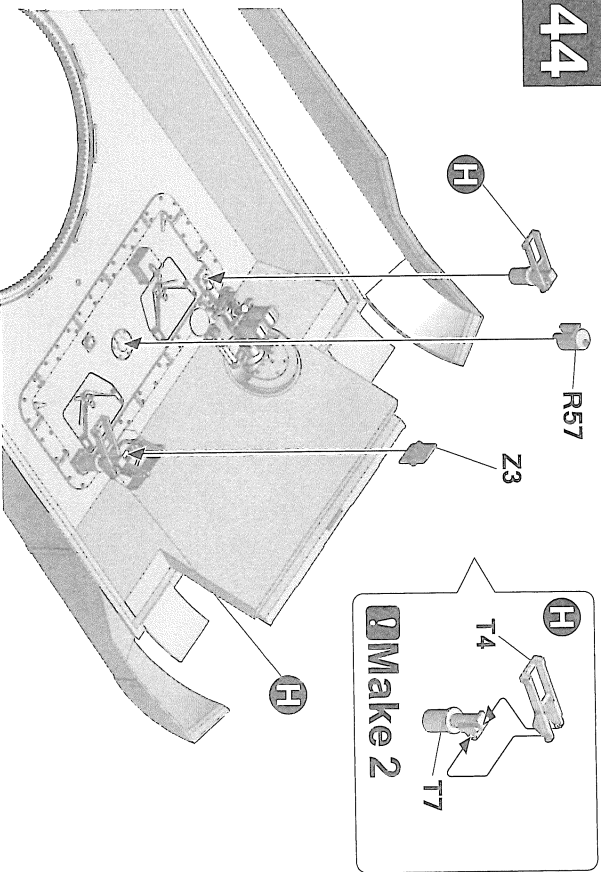
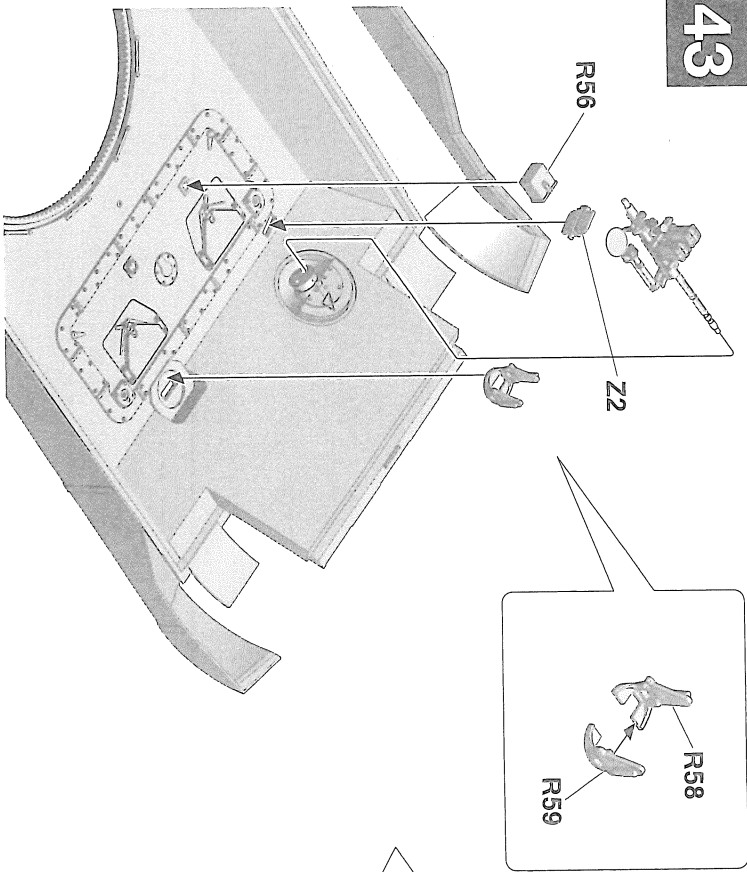
41



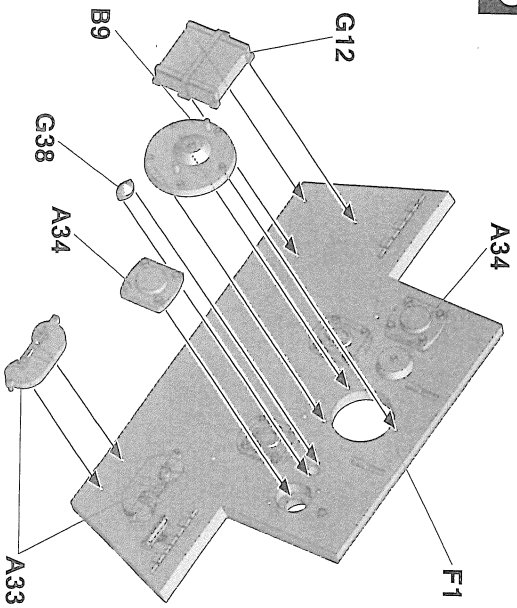
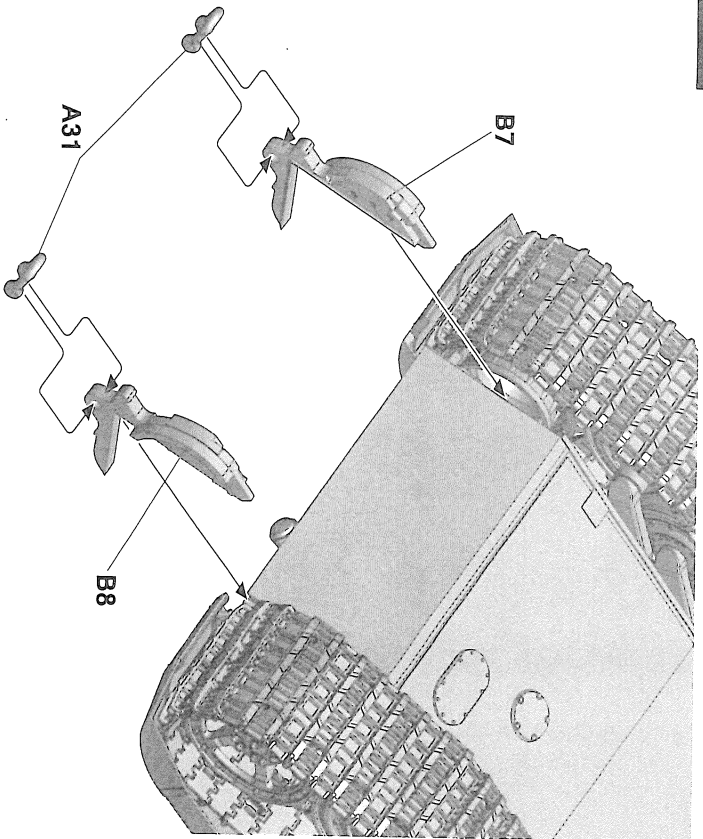
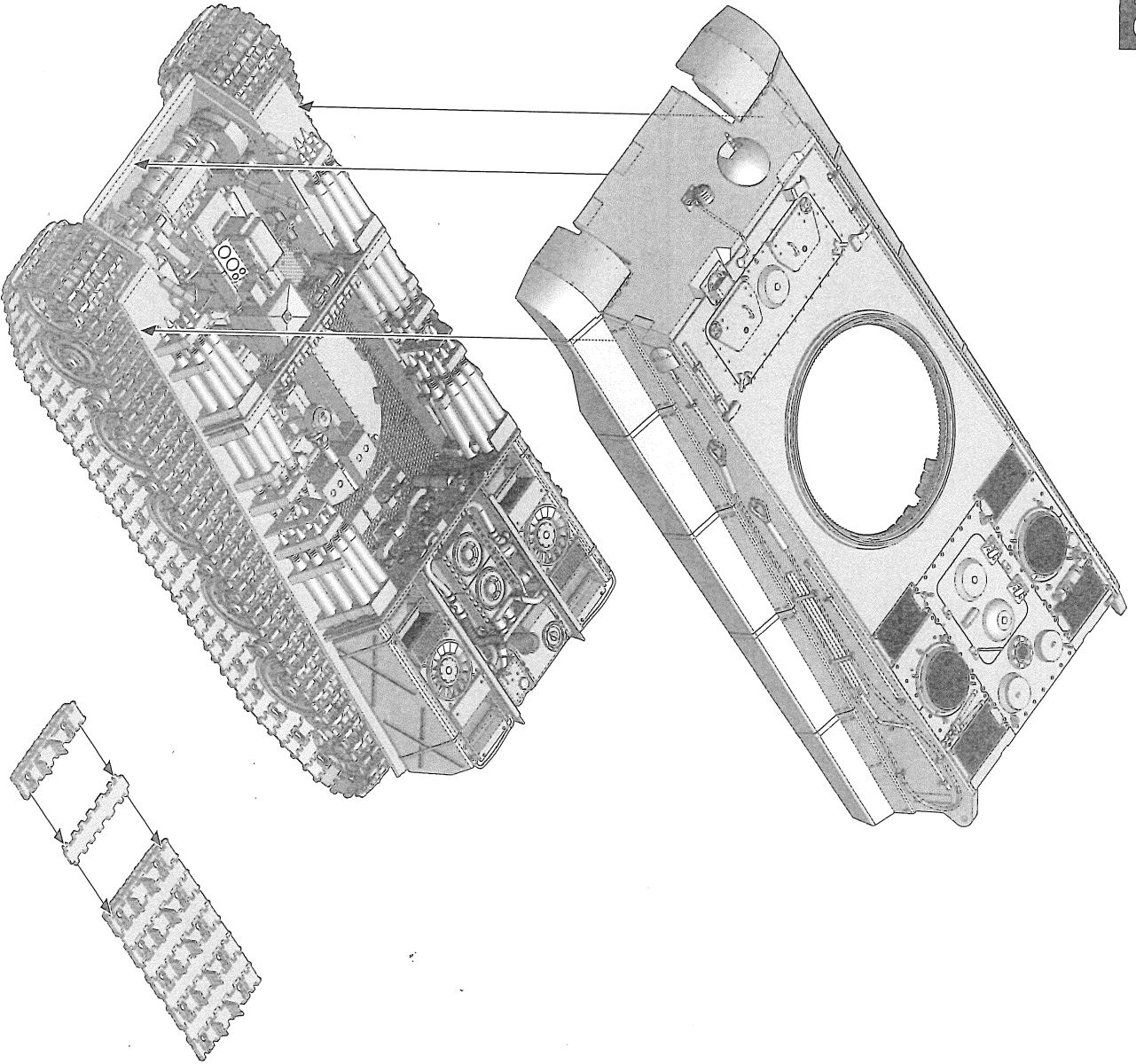
42

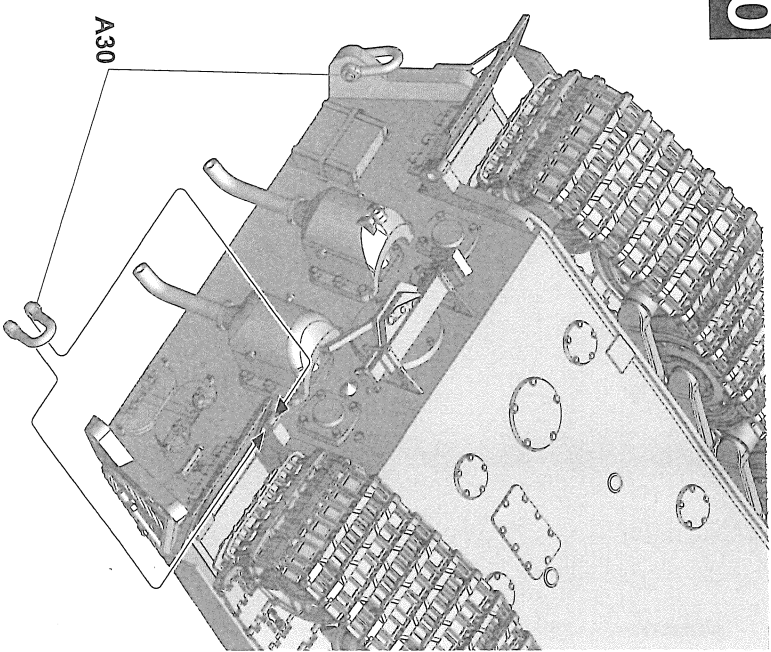
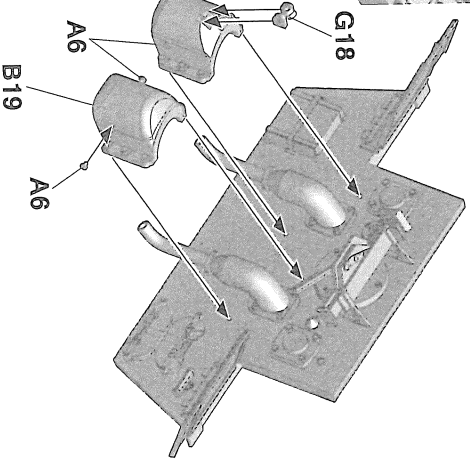
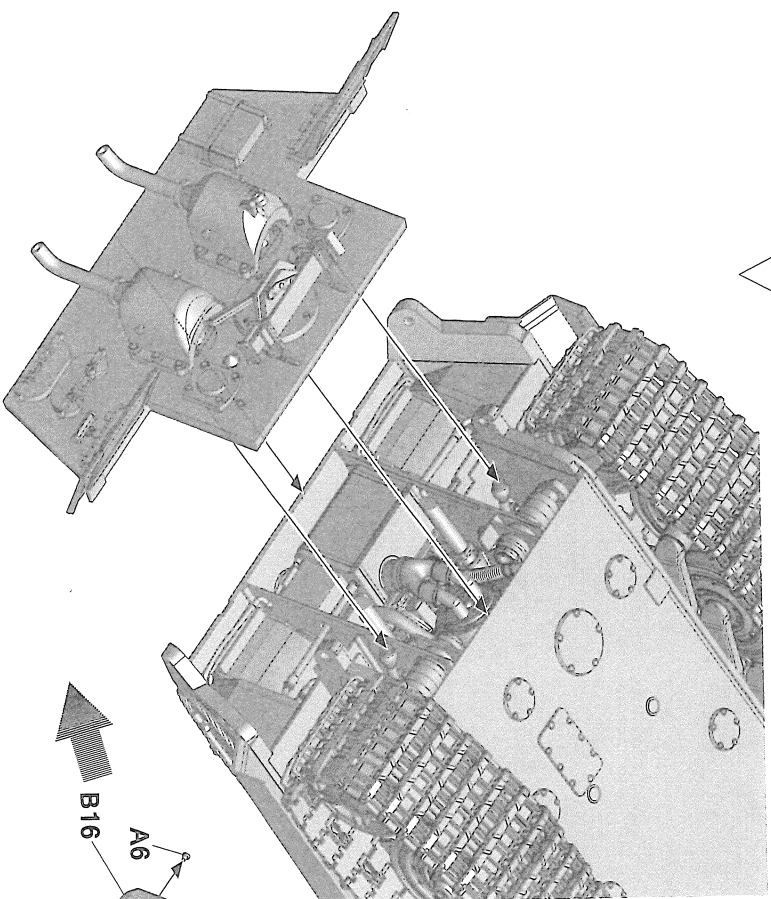
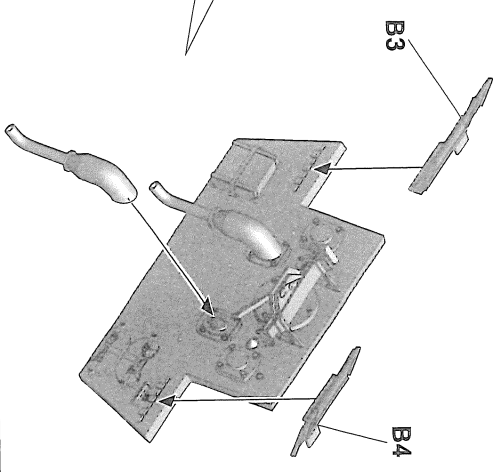
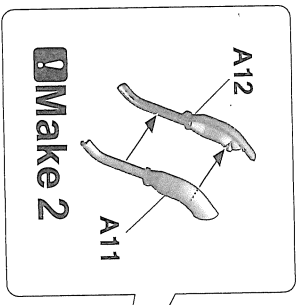
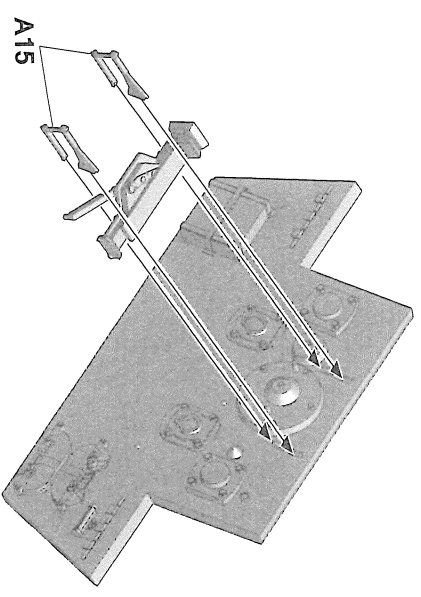
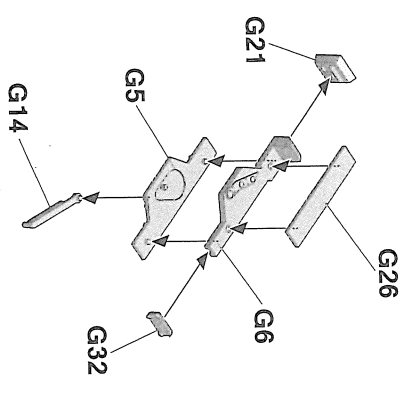




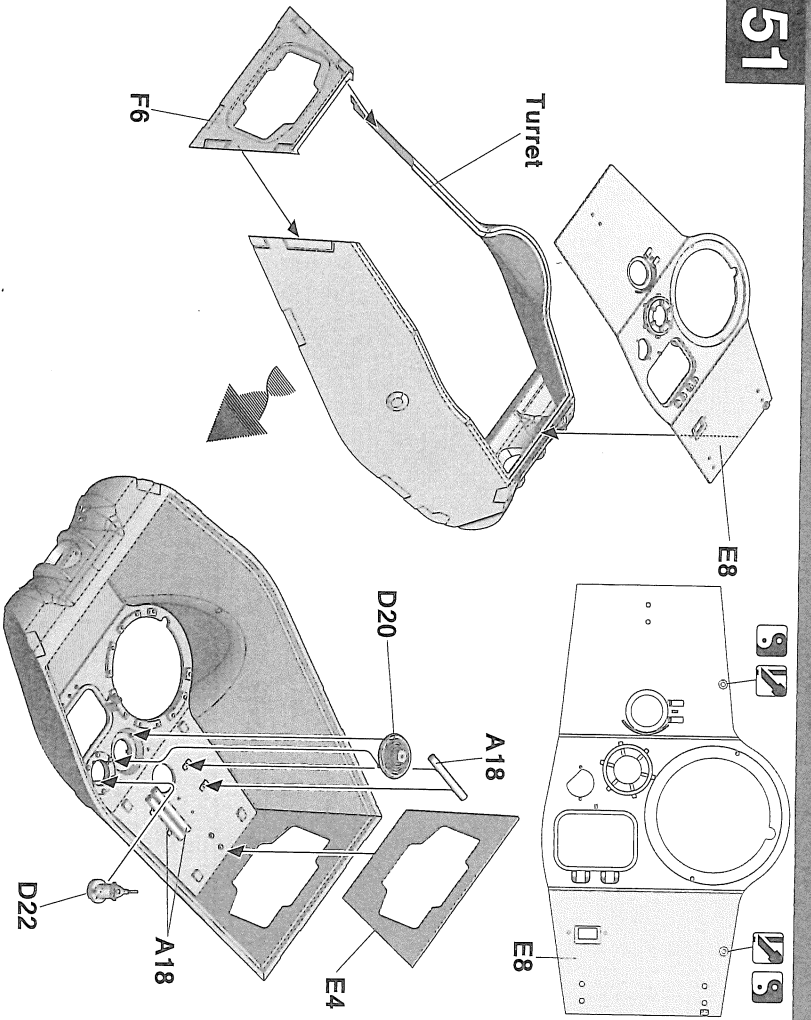




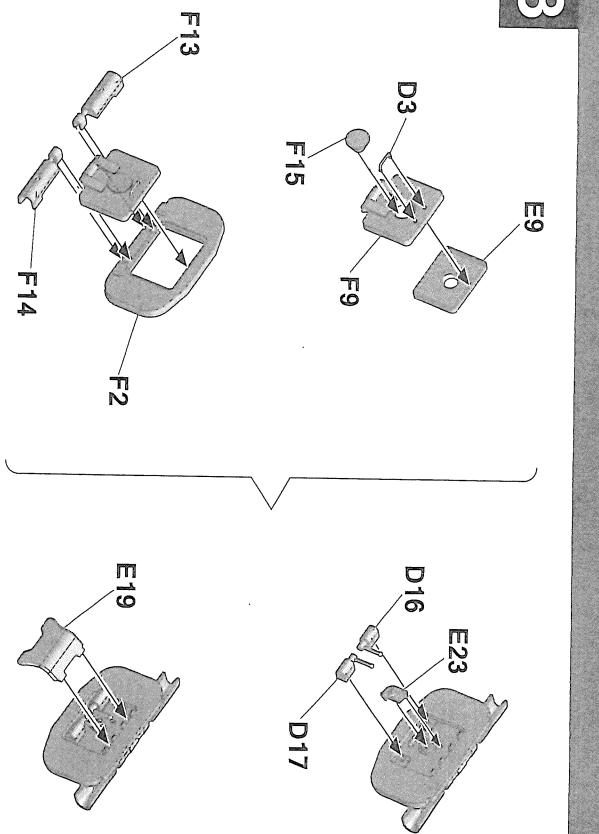




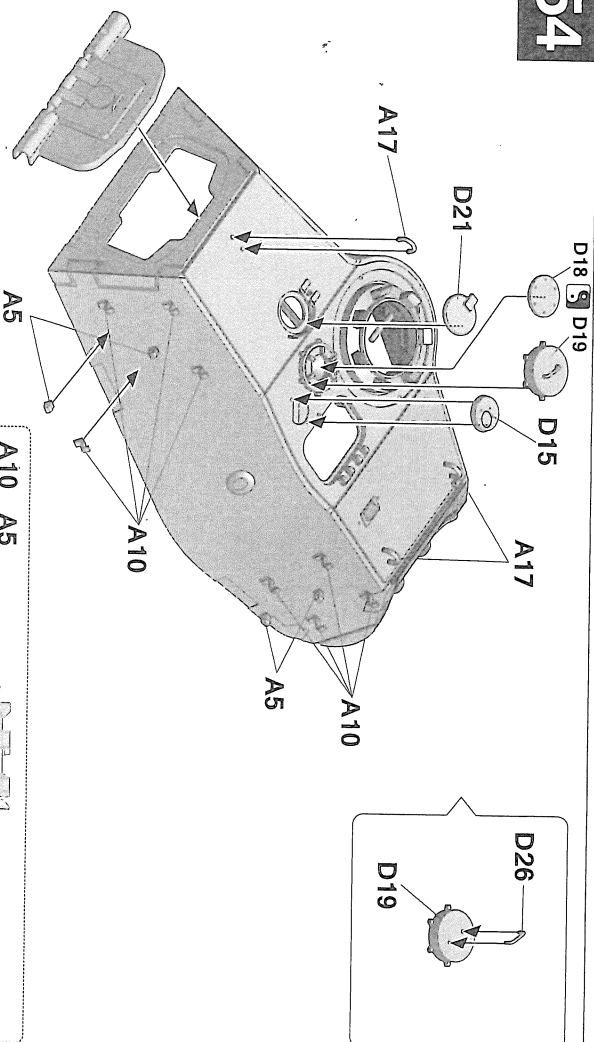
51



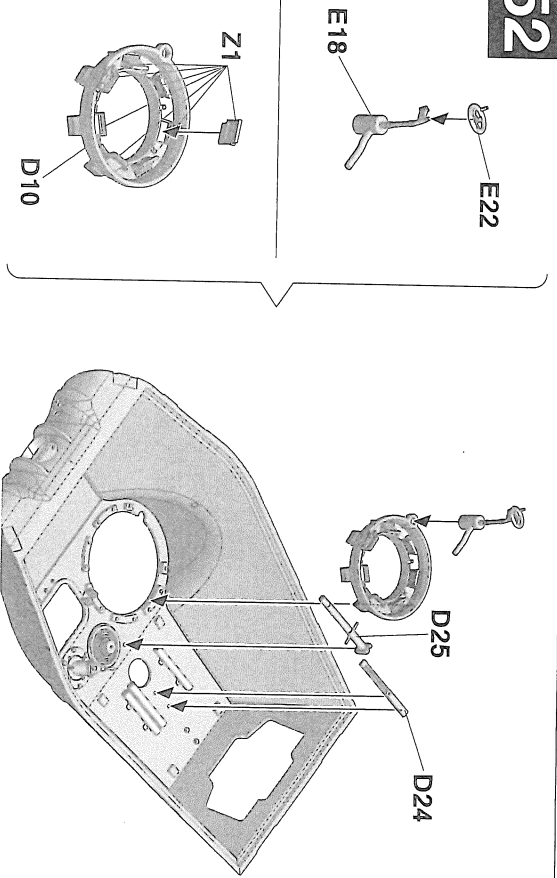
53



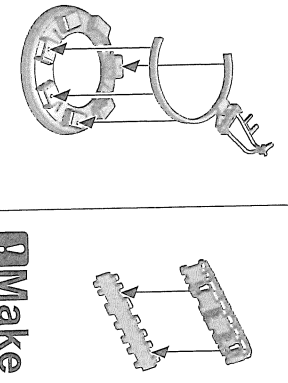
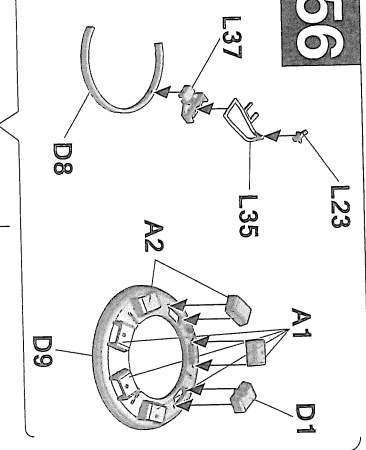
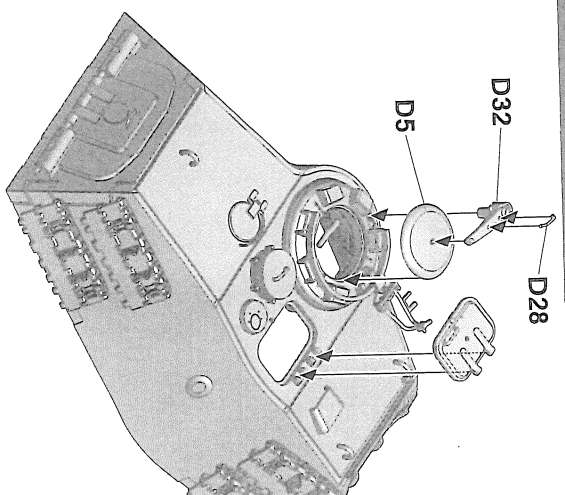
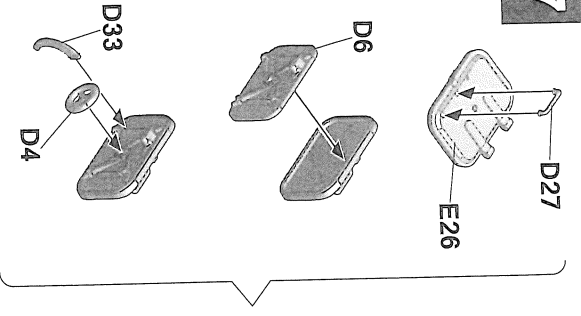
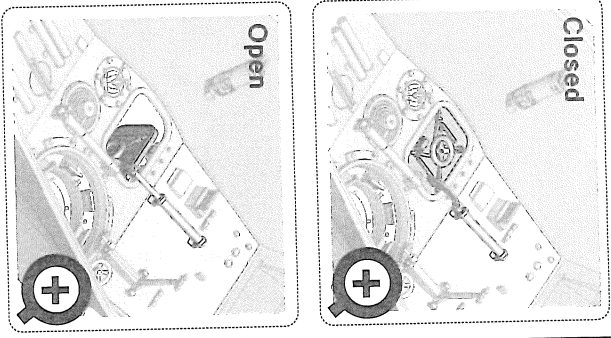
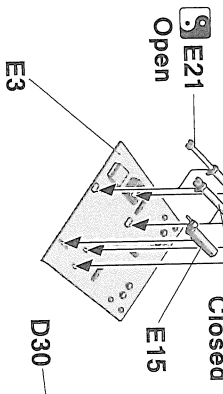
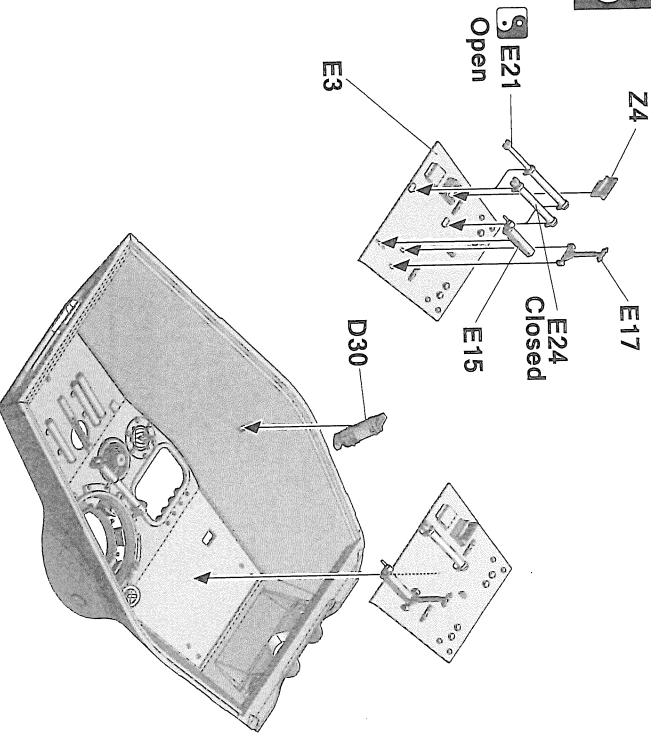
54



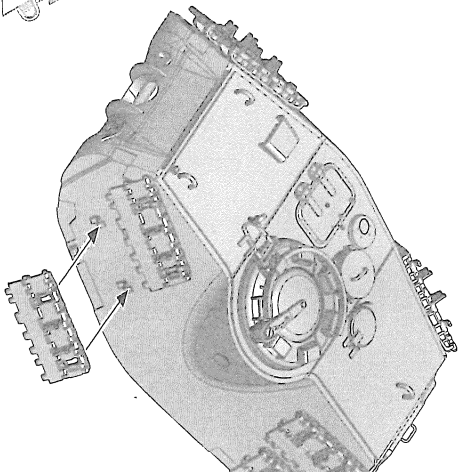
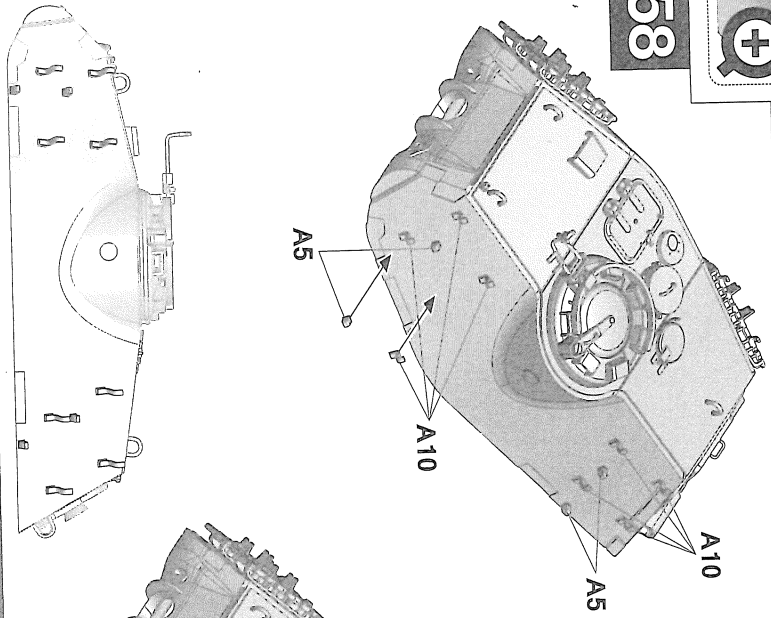
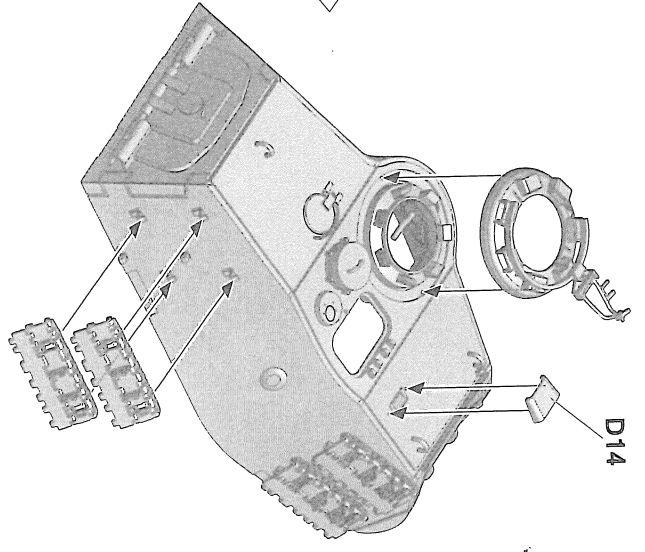
52



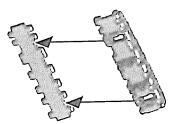




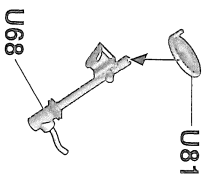
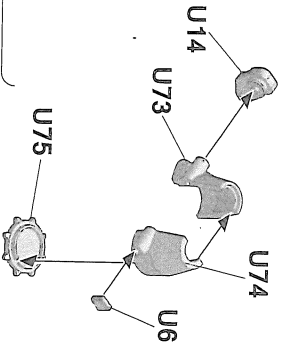
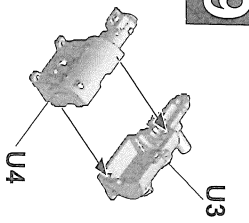
Make 4



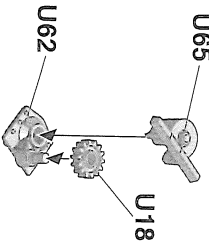
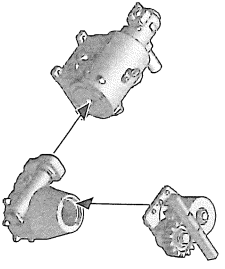
Make 4



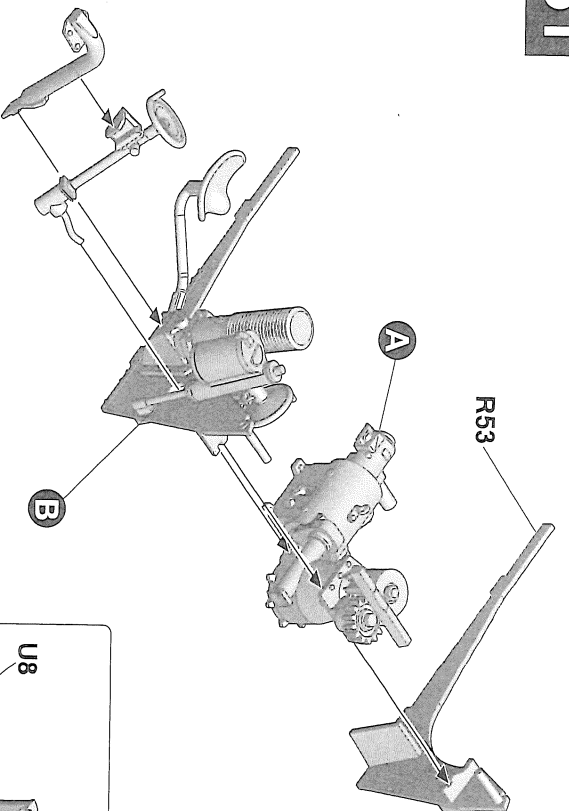
59



A

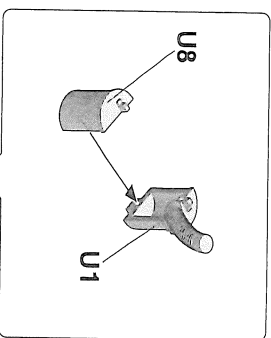


61

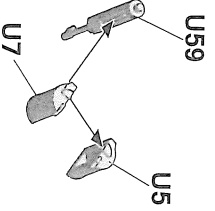
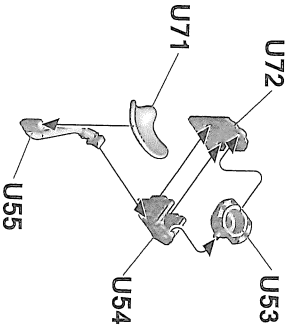
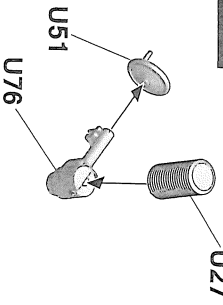


A

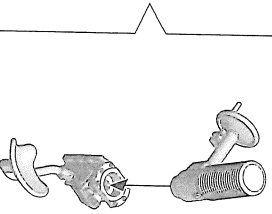
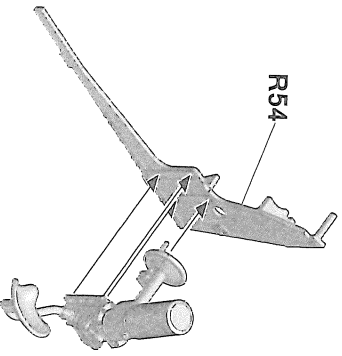
B



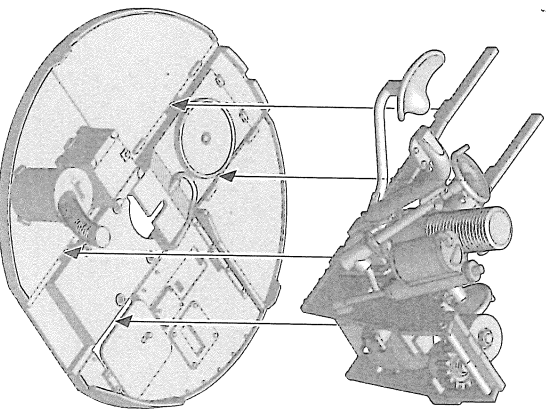
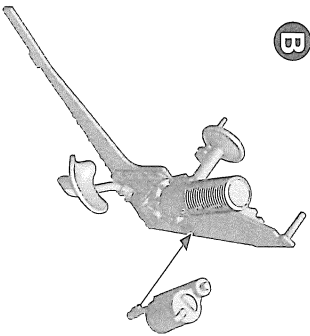
60



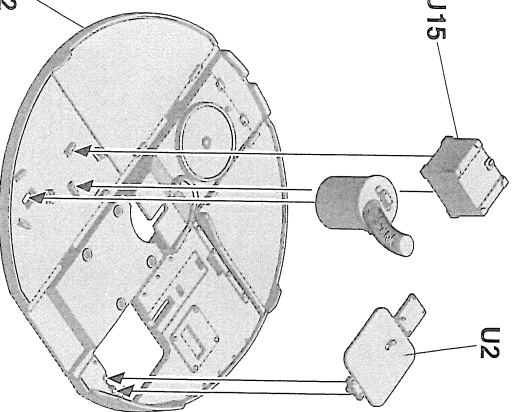
R54



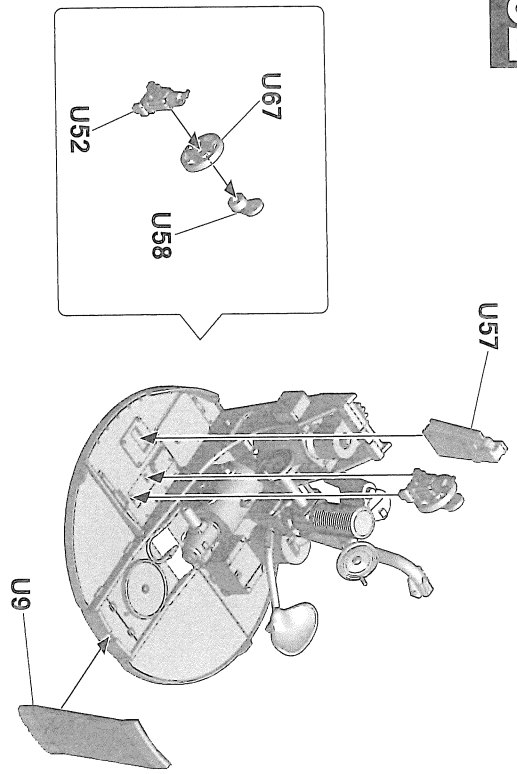
B



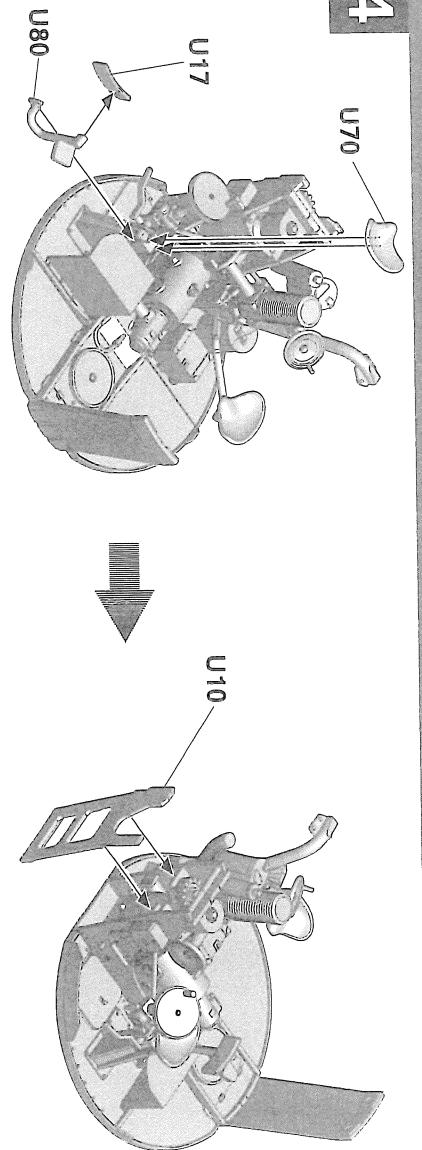
R52



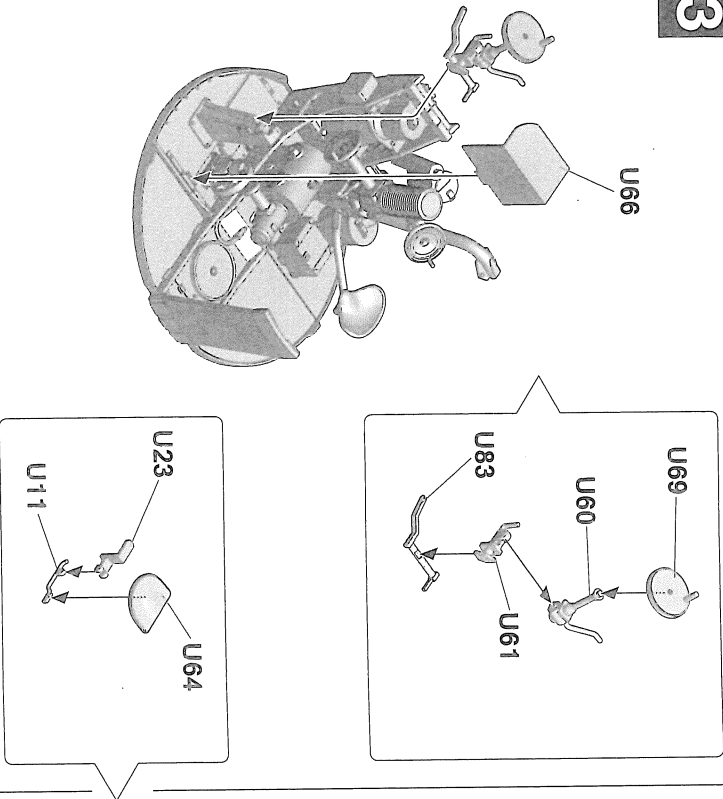
62



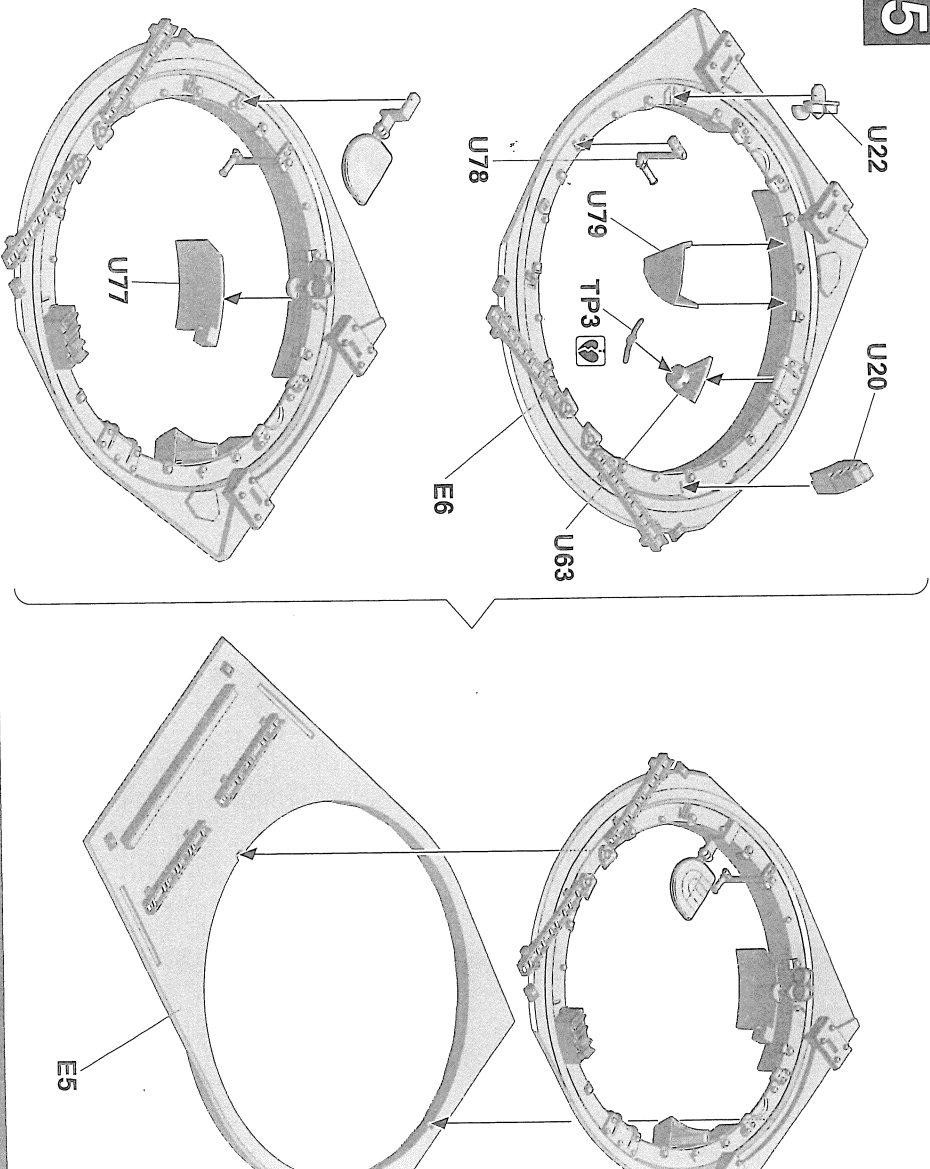
64



63

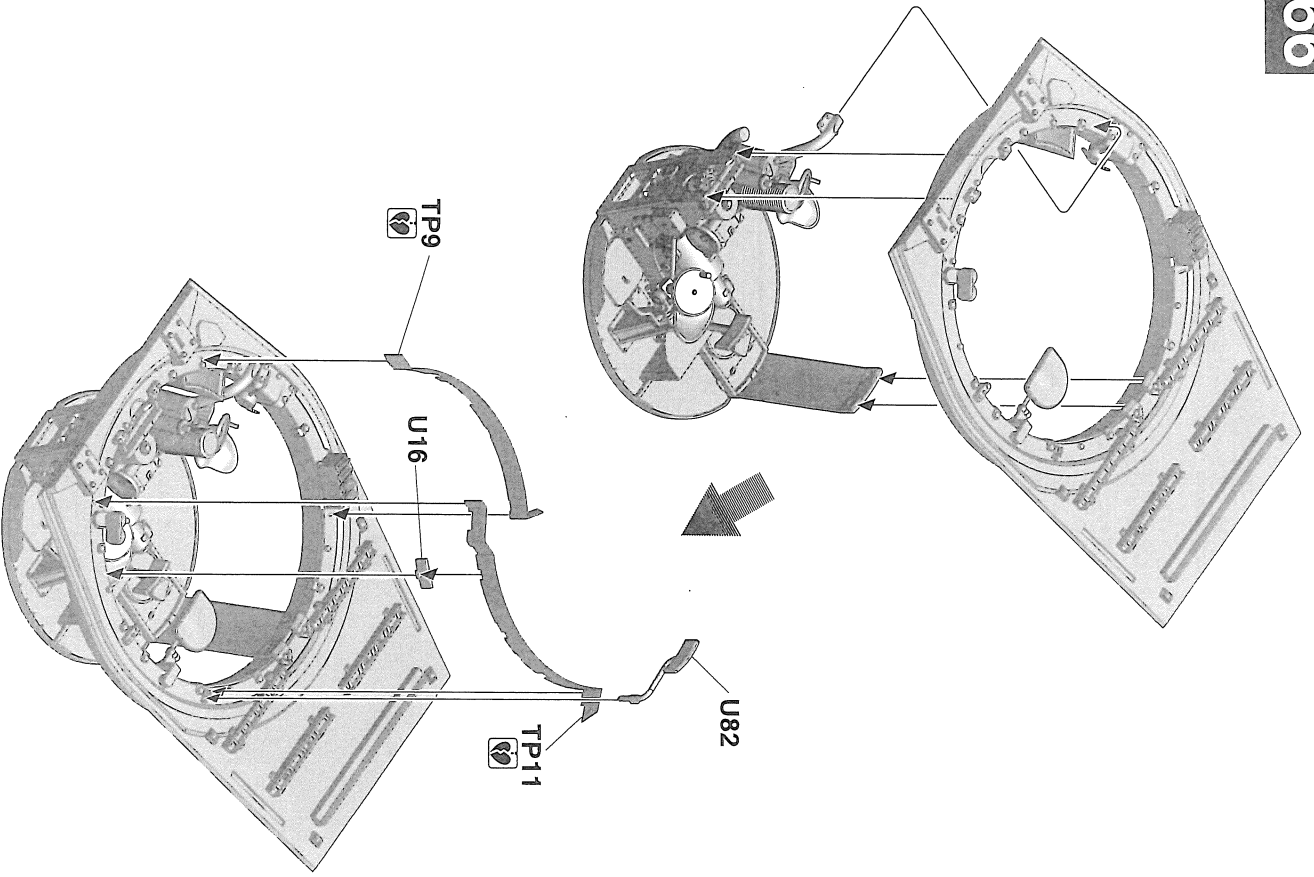


65

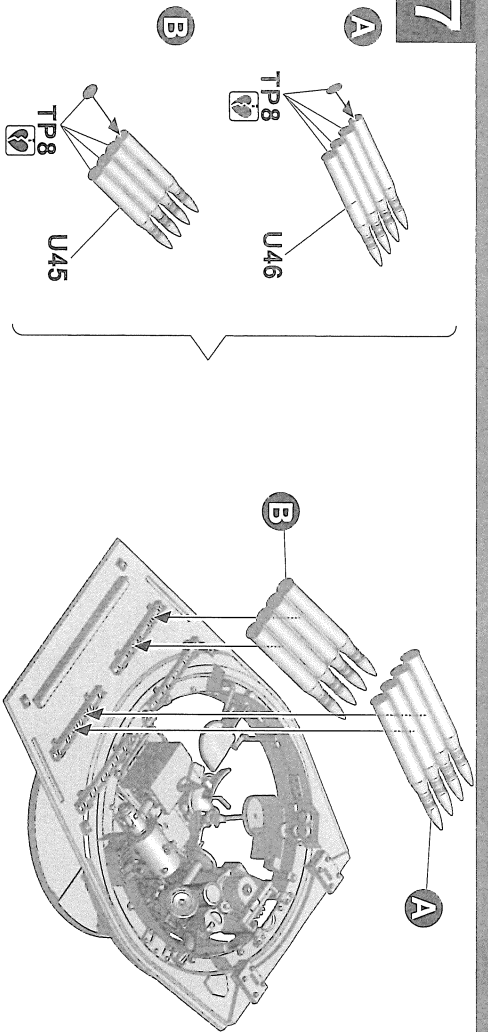




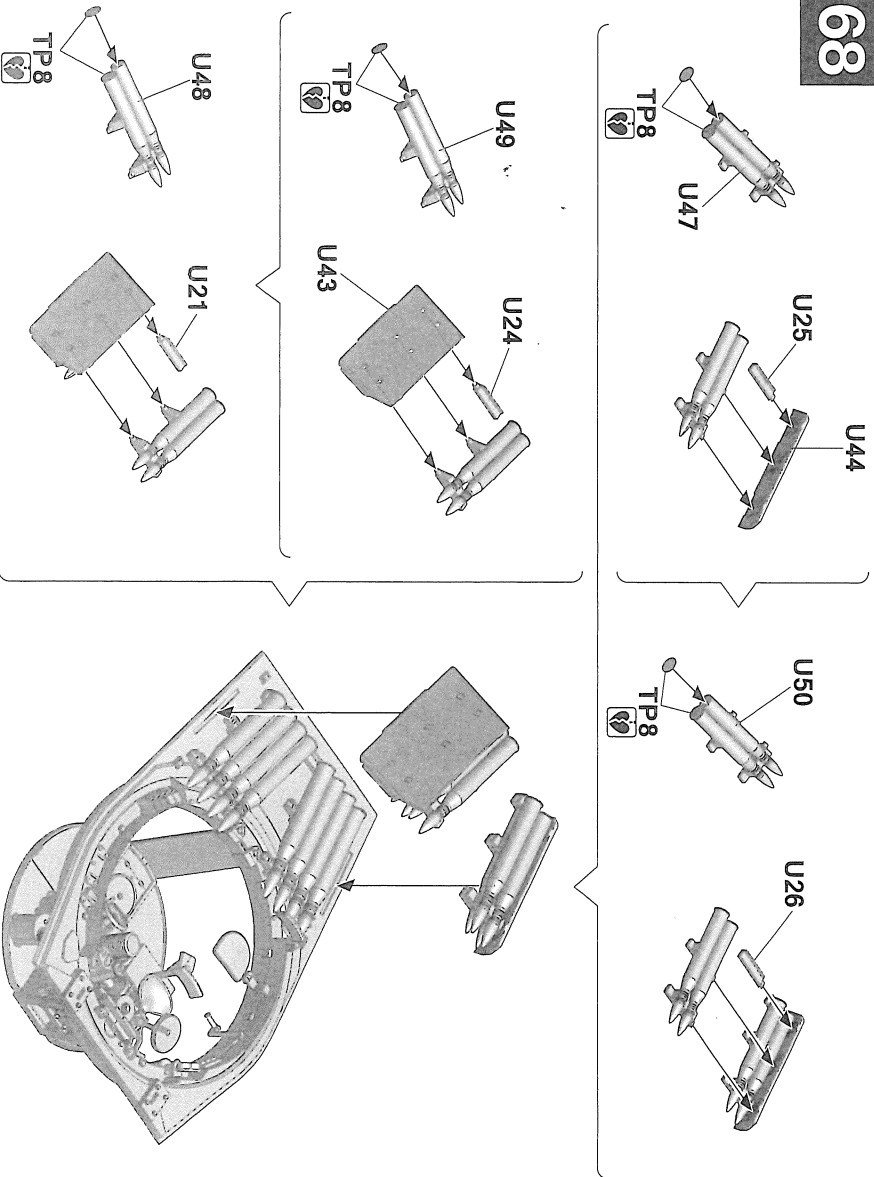
66



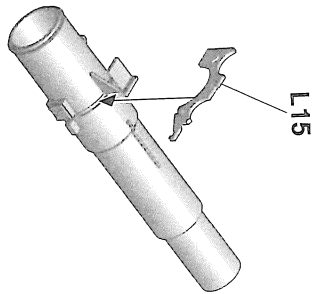
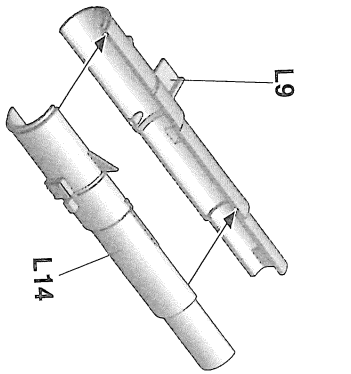
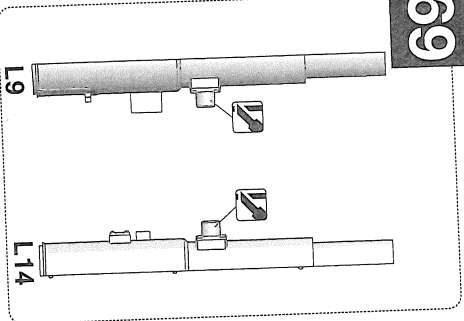
67



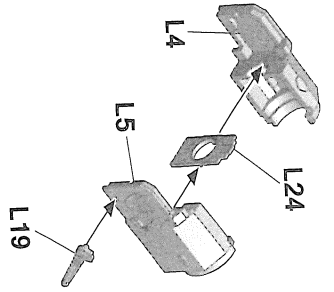
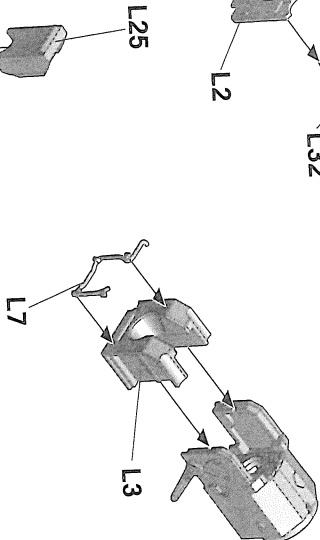
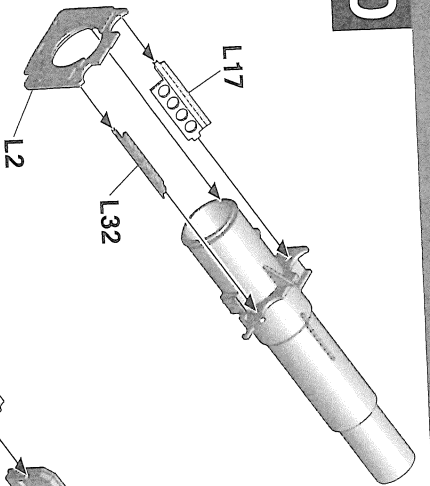
68



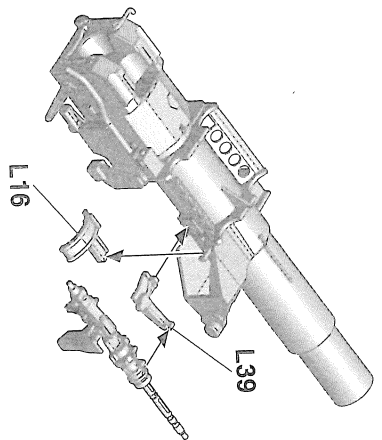
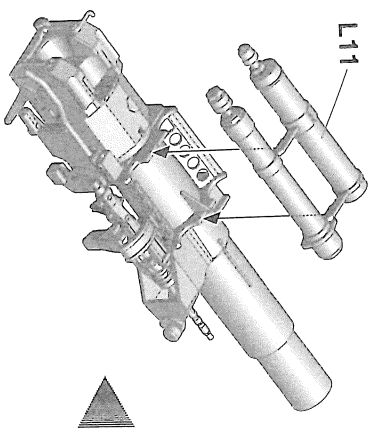
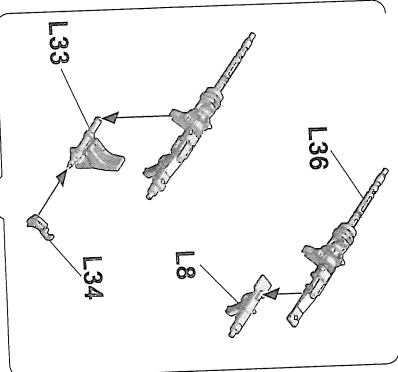
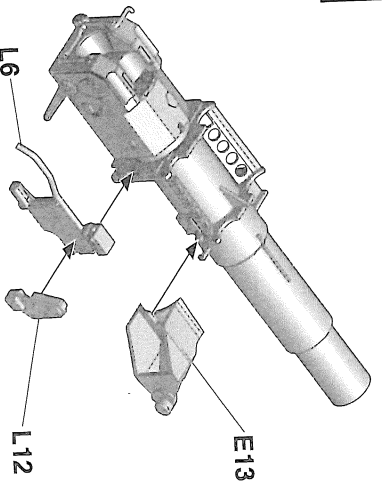
69



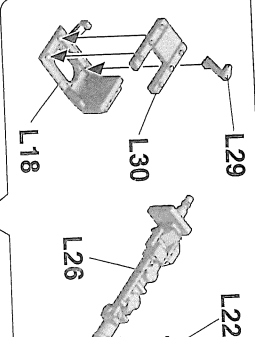
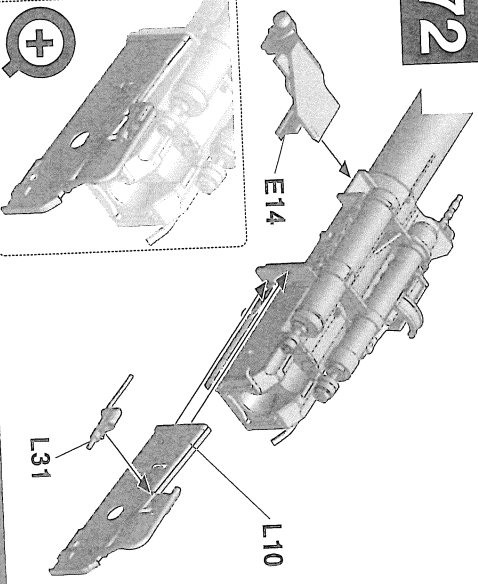
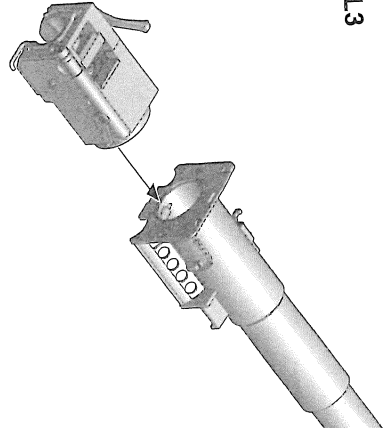
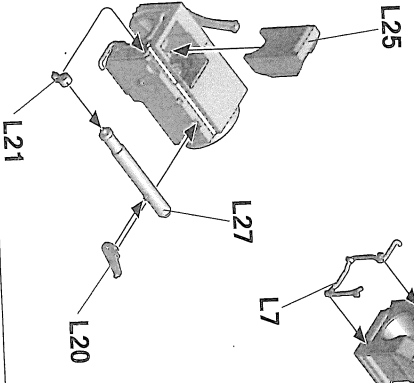
70



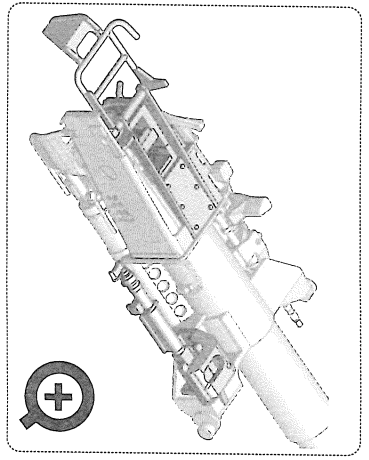
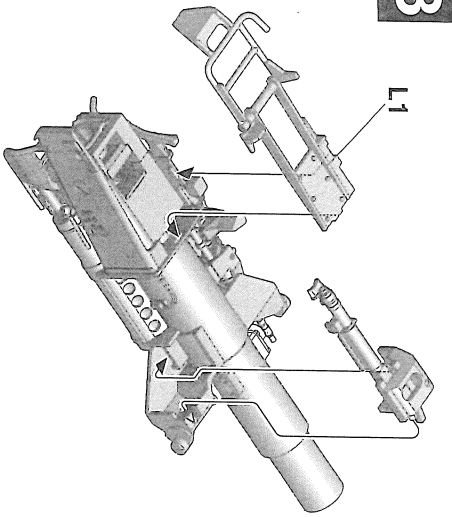
71



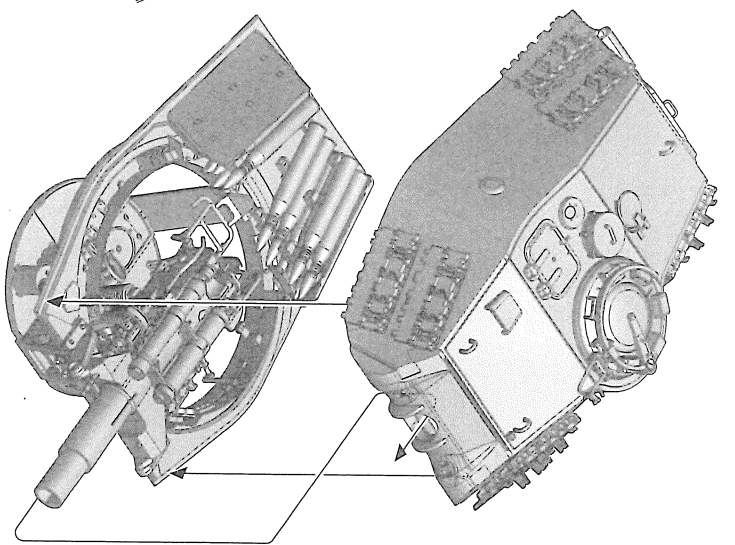
72



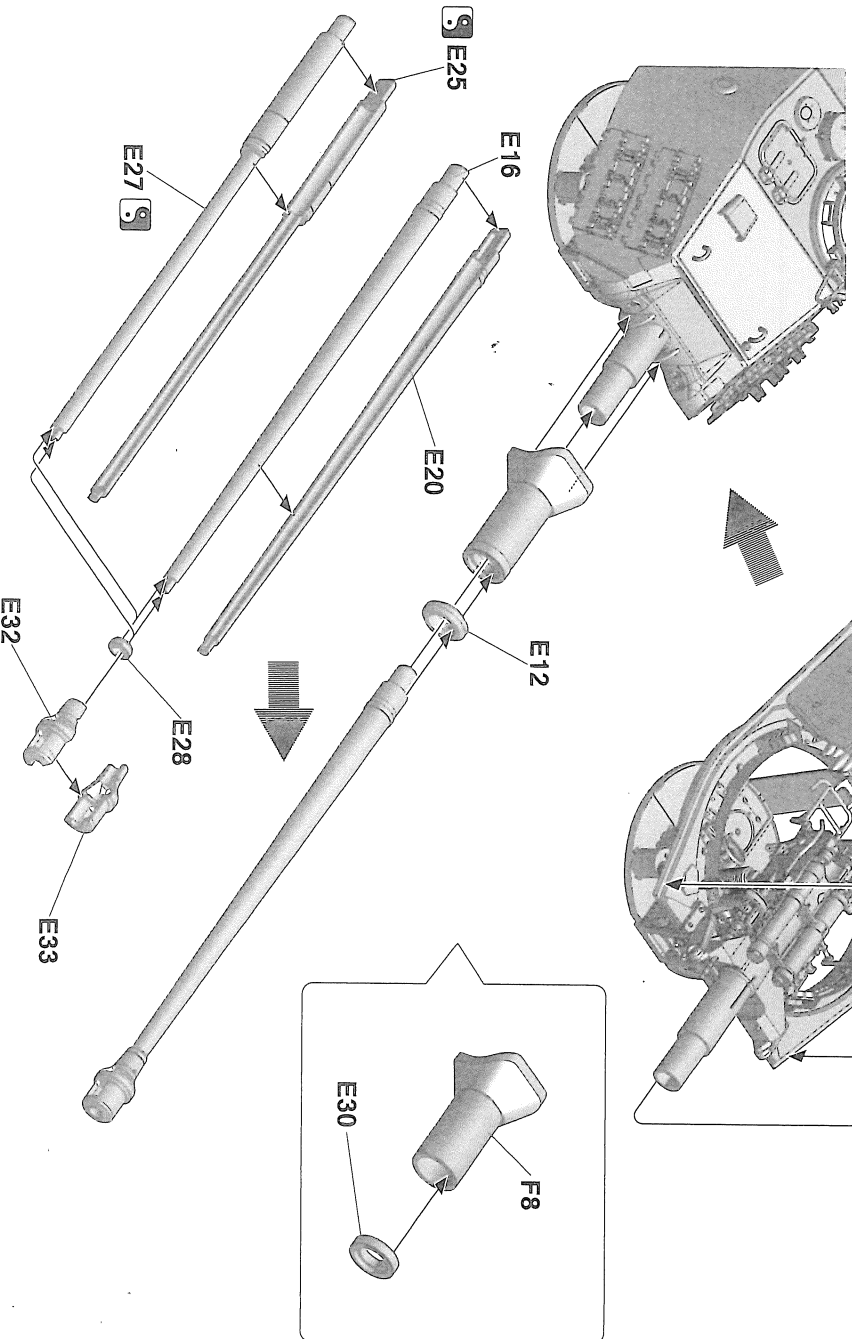
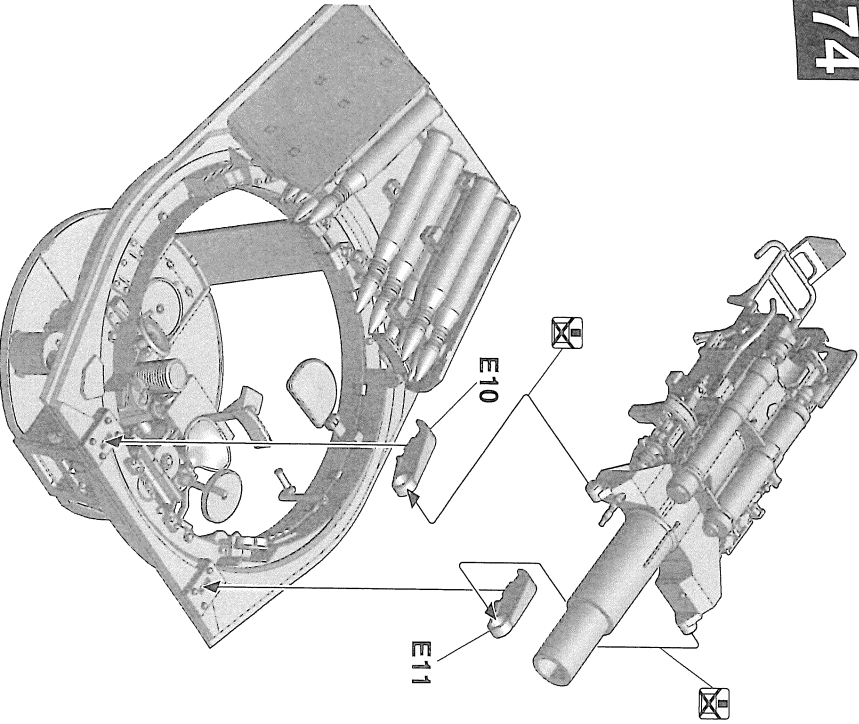
73



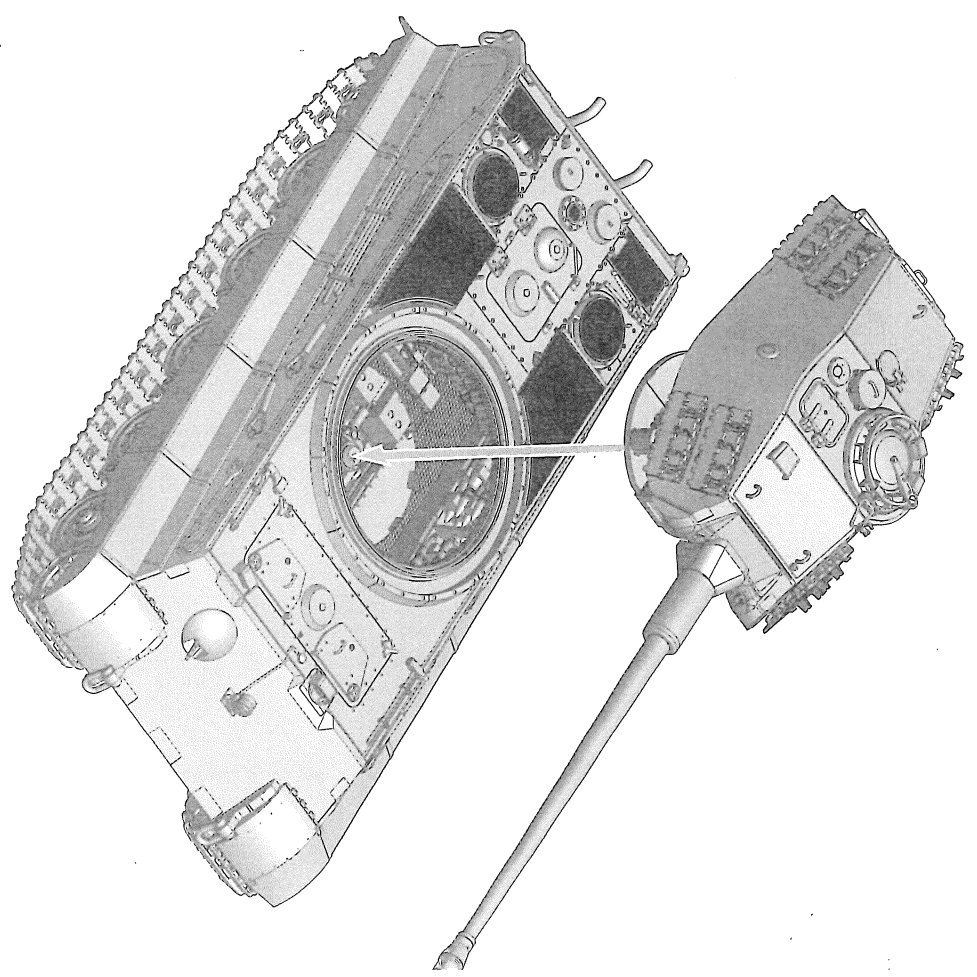
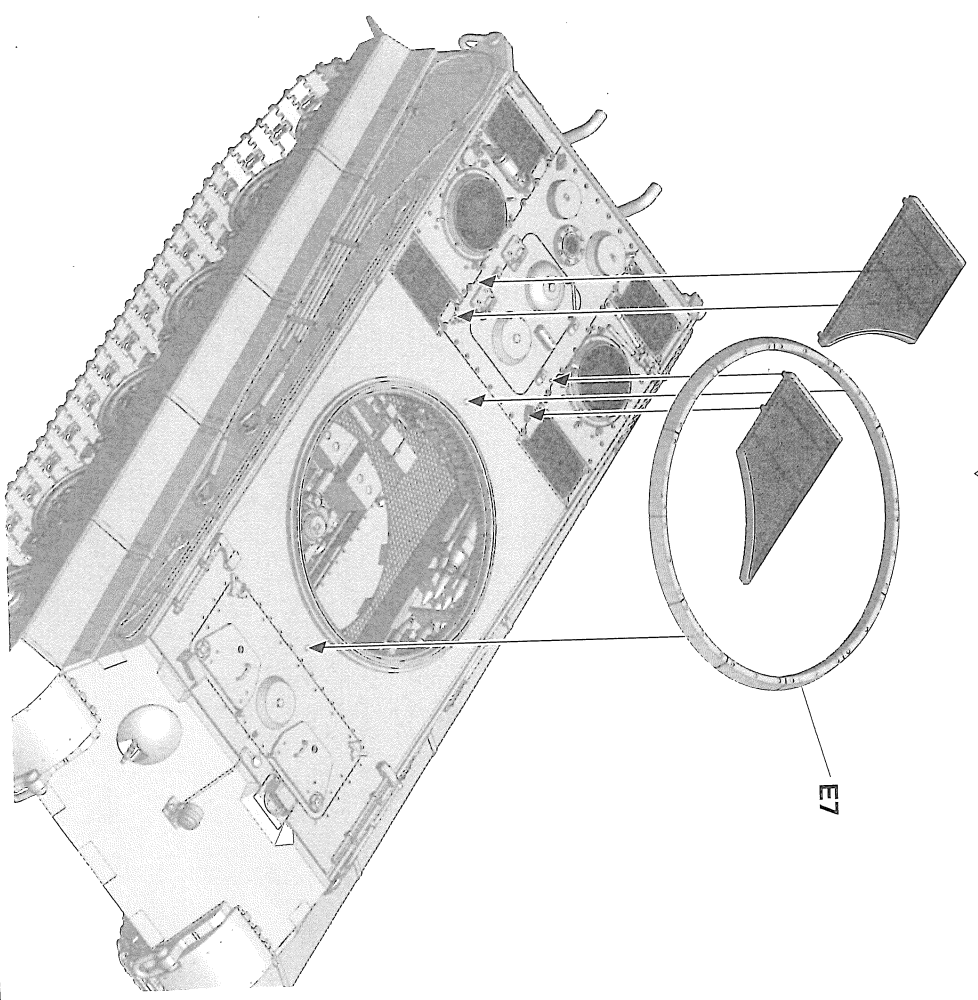
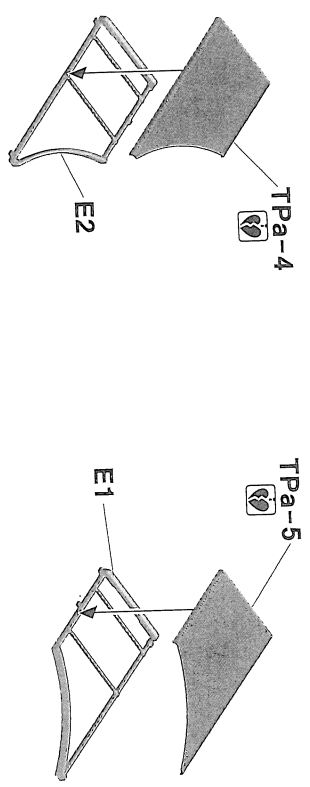
75



74









# GERMAN HEAVY TANK

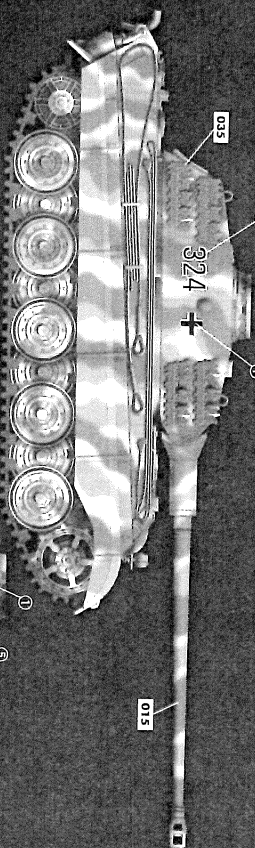
Color info and profiles by



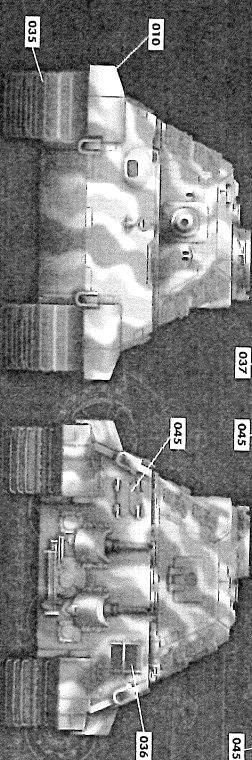
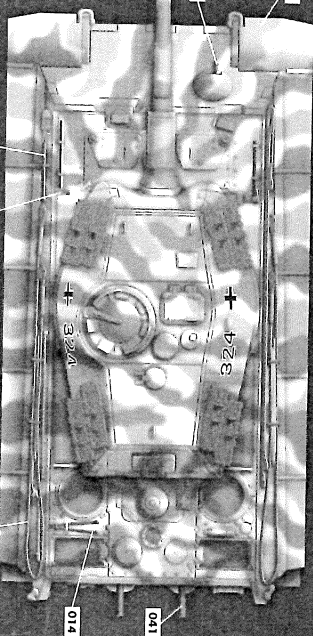
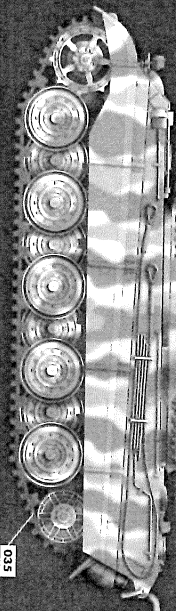
## Painting and Marking Guide

Tiger Ausf.B. 3./s.H Pz.Abt.503  
(no 324), Mally, le Camp,  
France 07.1944.

- AMIG 014 Kohlrain
- AMIG 035 Dark Fuchs
- Old Wood
- New Wood
- AMIG 041 Dark Red
- AMIG 043 Gun Metal
- AMIG 045 Olive/Gn. G1/2
- Dark Grey
- AMIG 015 Schoktram



Specific colors for  
Takom kits



TAKOM

Sd.Kfz. 182 KingTiger Porsche Turret w/ Zimmerit Ref. 2046



# GERMAN HEAVY TANK

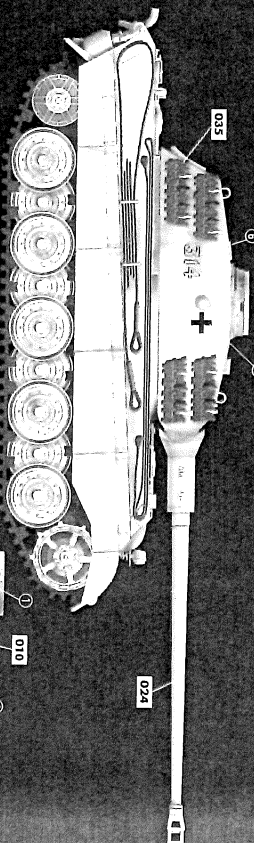
Color info and profiles by



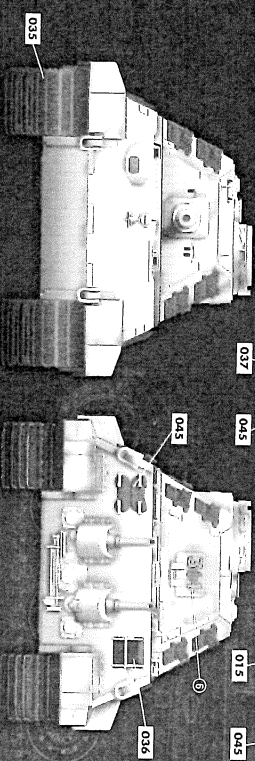
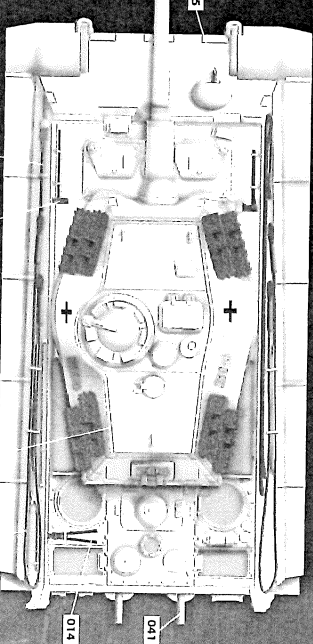
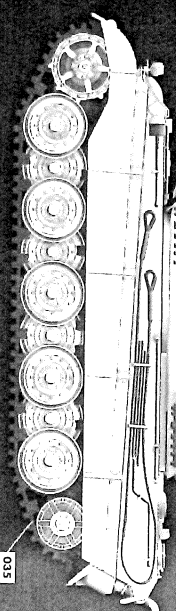
## Painting and Marking Guide

Tiger Ausf.B. 3./s.H Pz.Abt.FHH  
(no 314, commander, Ulf Jaekl),  
The area west of Stuhlfenningen,  
Hungary, 22.01.1945.

- AMIG 014 Rebrun
- AMIG 035 Dark Fuchs
- Old Wood
- New Wood
- AMIG 041 Dark Red
- AMIG 045 Gun Metal
- AMIG 045 Olive/Gn. G1/2
- Dark Grey
- AMIG 015 Schoktram
- AMIG 024 Washable White Camo



Specific colors for  
Takom kits



TAKOM

Sd.Kfz. 182 KingTiger Porsche Turret w/ Zimmerit Ref. 2046

