

# OV-10A BRONCO

**NORTH AMERICAN ROCKWELL  
MARINE CLOSE SUPPORT AIRCRAFT**



MADE AND PRINTED IN U.S.A.

**Model No.  
567-130**

Currently in operation with the U.S. Marine Corps in Vietnam, the OV-10A **Bronco** is proving itself a highly versatile and rugged aircraft.

Designed for armed reconnaissance and forward air control missions, the Bronco is also used by the U.S. Air Force. Your model depicts the original pre-production prototype that spanned 30 ft. 3 in. Production aircraft have a wing span of 40 ft. and a future design calls for a 50 ft. span version.

North American Aviation engineers have coupled the plane's multi-mission capability with maintenance and reliability engineering. Various aircraft systems have been simplified and maintenance, often a problem with complex jet aircraft, has been minimized by virtue of easy access to major components that can be worked on with simple standard equipment and with relatively low skill level personnel.

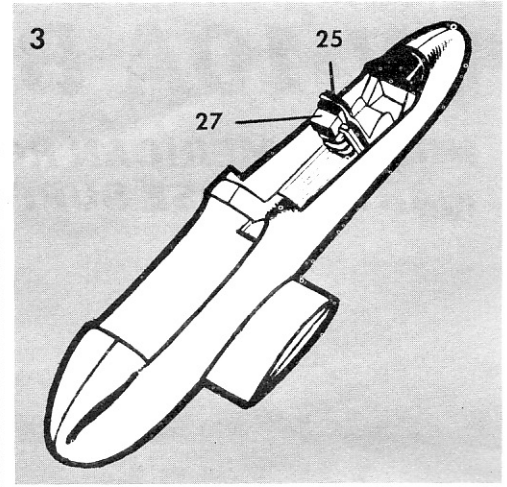
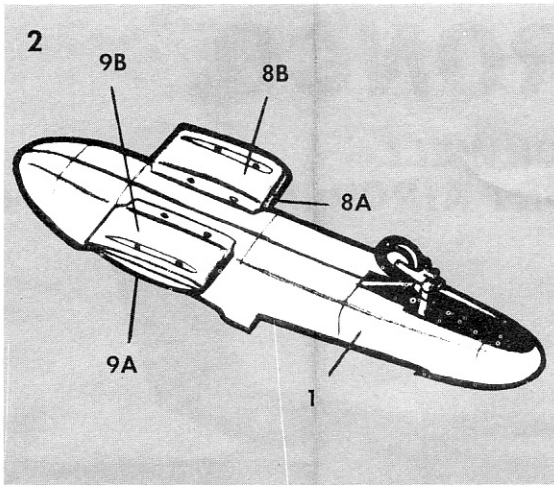
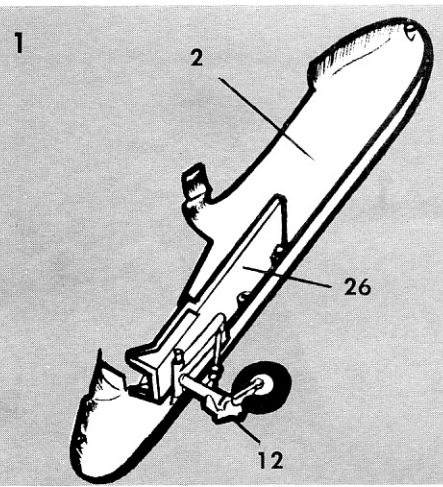


**hawk**

Most  
Trusted  
Name  
In  
Modeling

Hawk Model Company  
4600 N. Olcott  
Chicago, Ill. 60656, U.S.A.

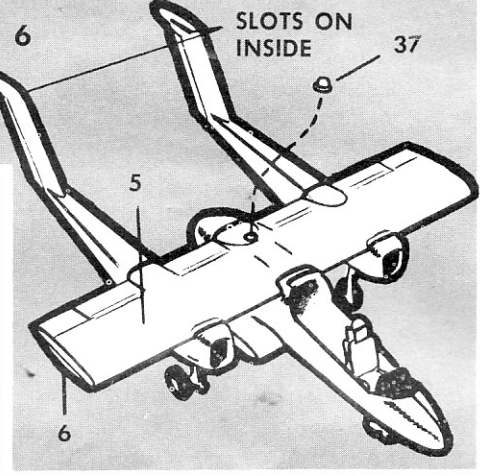
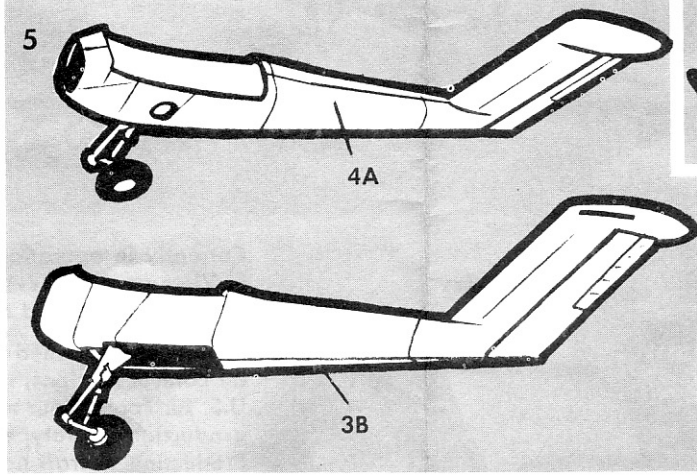
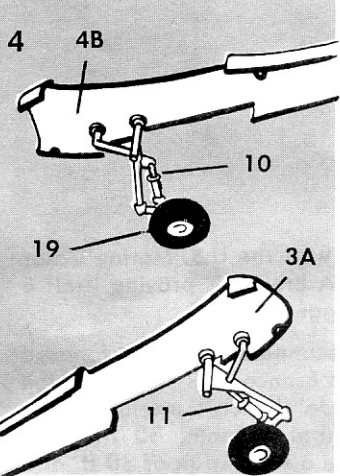
© HAWK - COPYRIGHT - 1969



Glue the nose gear strut -12- into the holes located in the right fuselage half -2-. Glue the cockpit floor -26- to the top of the gear and to the stop pin at the rear of the floor. Note the sharp points at the front of the floor lineup with the bottom of the instrument panel.

Glue left fuselage half -1- to the right fuselage half . . . be sure to guide the nose gear pin into the hole in the left fuselage half. Glue sponson halves 9A and 9B together. Glue halves 8A and 8B together. Now glue them to the fuselage as shown.

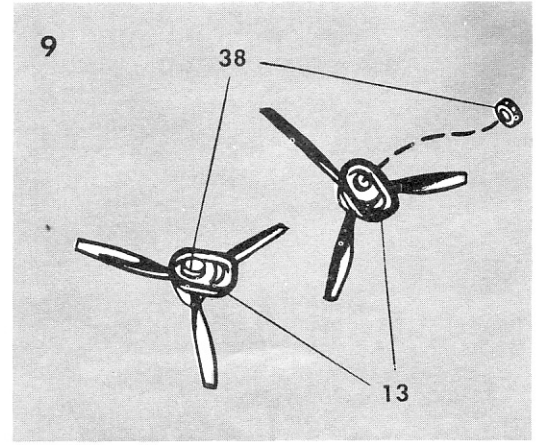
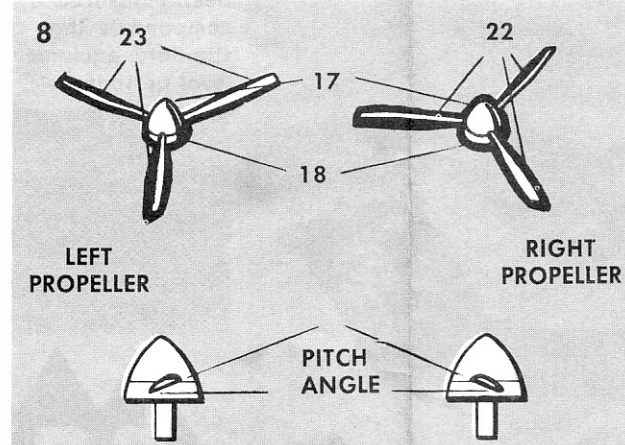
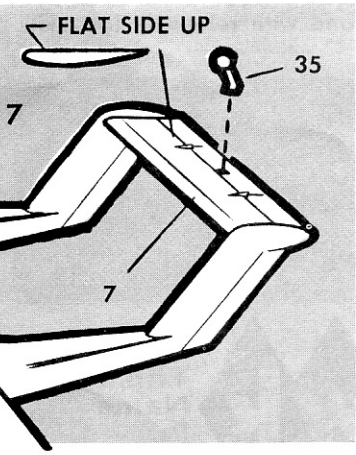
Glue 27 to the back of the seat -25- as shown. Now glue the seat into the notch on the cockpit floor. Paint the seat, cockpit floor, and cockpit sidewalls gray. The instrument panel and glare shield over the panel is painted flat black as shown.



Glue the left main gear -10- to the left inboard boom half -4B- as shown. Glue the right main gear -11- to the right inboard boom half -3A-. Paint the gear gray. Paint tires -19- flat black and glue to the gear.

Glue the right outboard boom half -3B- to the right boom assembly. Glue the left outboard boom half -4A- to the left boom.

Glue upper wing half -5- to lower wing half -6-. Glue the wing to the fuselage sliding the leading edge under the forward notch then pushing the trailing edge down. Glue the booms to the wing—stabilizer slots facing each other. Add the collision beacon -37- to the wing as shown.

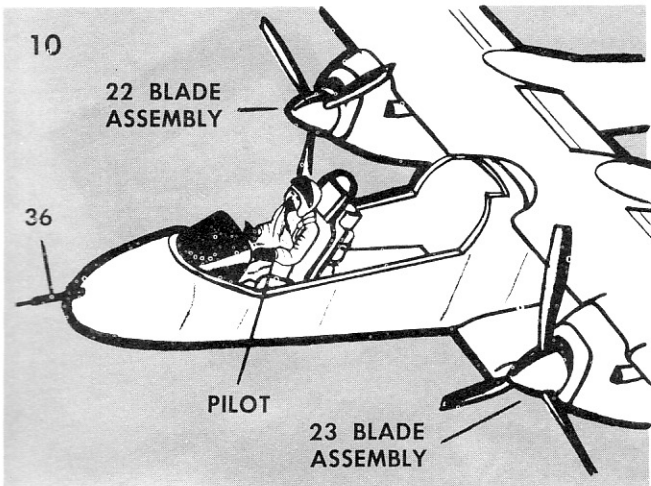


Glue the stabilizer -7- to the booms. The flat surface of the stabilizer faces up. Glue the elevator counterbalance -35- to the elevator.

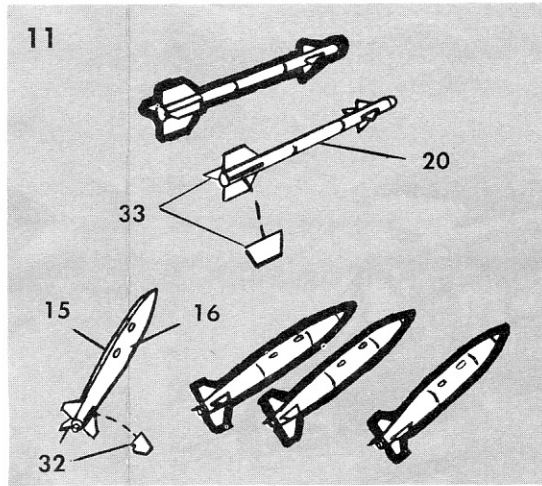
Glue the propeller hub halves together—front, 17; rear, 18—carefully lining up the holes for the propeller blades. Take 3 blades marked -23- and glue them into one of the hubs. This will make the propeller for the left boom. Be sure the prop blades have the correct pitch angle as shown in the lower sketch. Repeat for the right boom propeller—blades 22. Note the pitch angle is reversed.

Place the propellers into the boom nose intake scoops -13- as shown—do not cement. Place a SMALL drop of cement in the hole of the propeller retainers -38- and glue the retainers to the propeller shafts as shown in the left sketch.

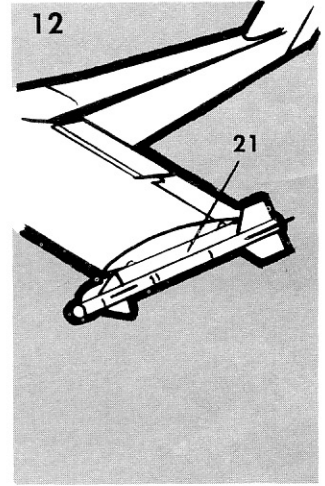




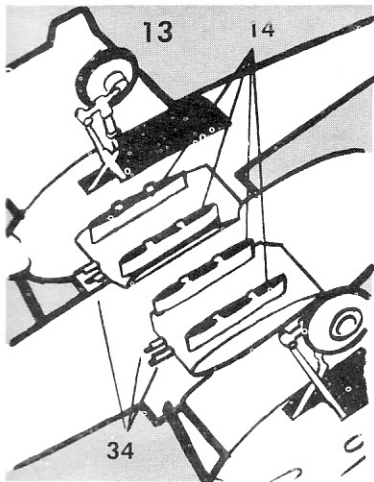
Glue the blade assemblies and intake scoops to the boom as shown. Glue the pitot tube -36- to the fuselage. Paint the pilot figure as shown on the last page and glue him to the seat.



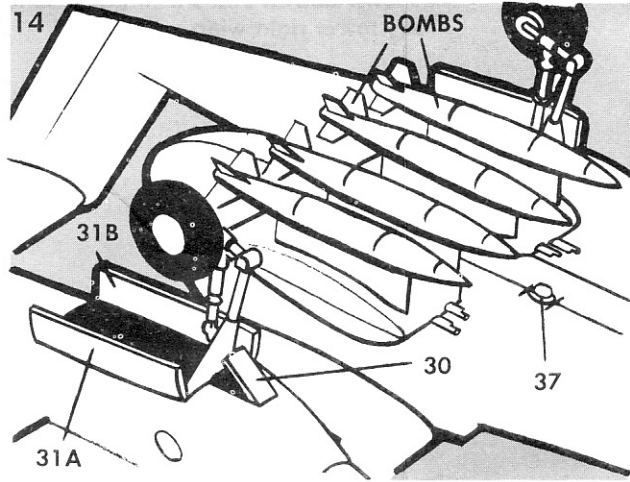
Glue the Sidewinder fins -33- into the slots in the missile body -20-. Paint entire missile white. Cement bomb halves -15 and 16- together. Add the bomb fins -32-. Paint entire bomb olive drab.



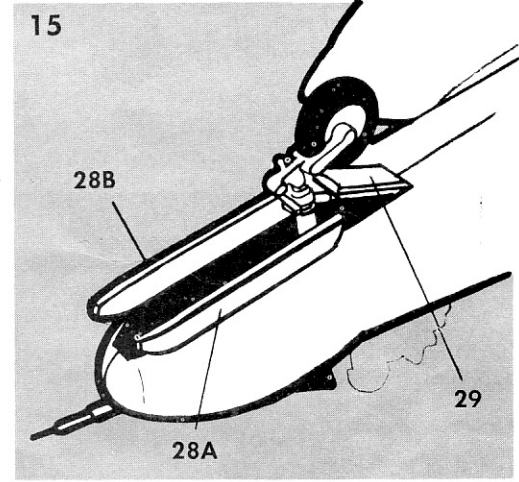
Glue the missile launcher -21- to the wingtips. Glue the Sidewinder missiles into place.



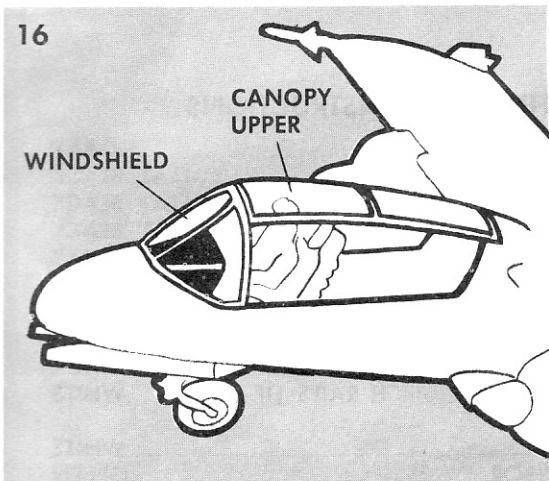
Glue the bomb racks -14- to the sponsons. Glue the guns -34- into place as shown.



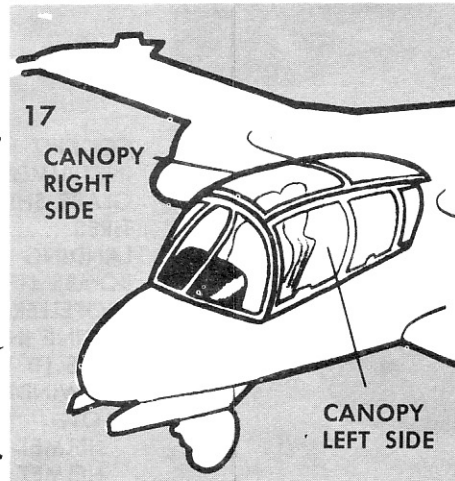
Glue the bombs into place. Add the collision beacon -37-. Add the landing gear doors to both booms as shown.



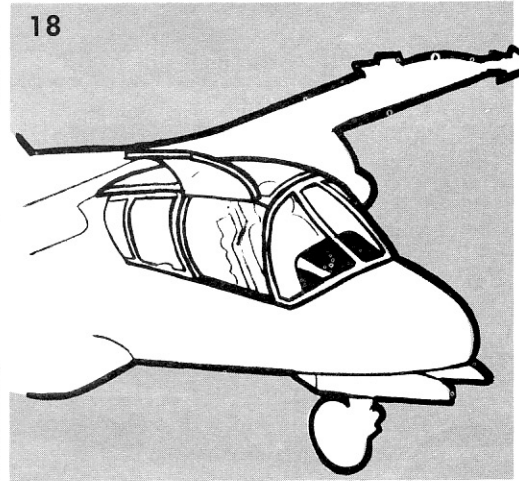
Glue the nose gear door into place as shown.



Carefully glue the windshield into place. Now glue the upper canopy section into place.



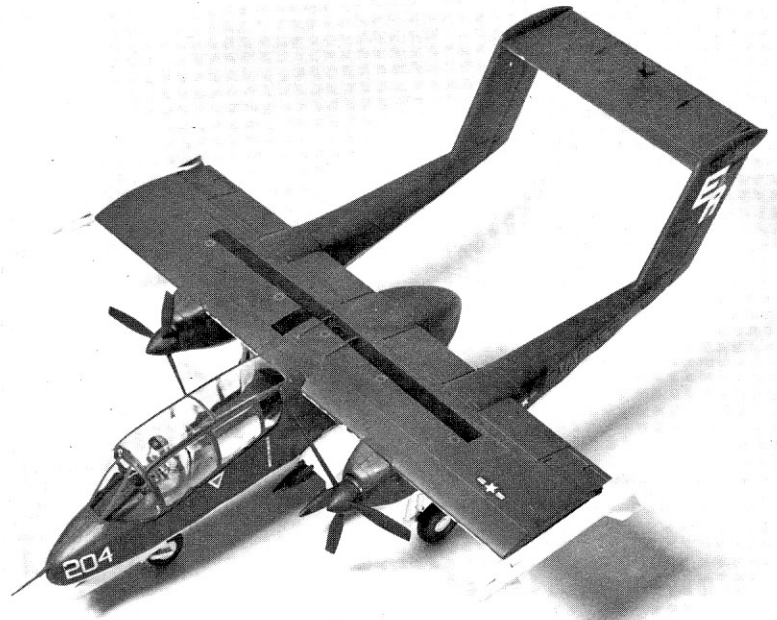
Add the canopy left and right sides as shown. Paint the framework to match the fuselage color.



This shows a special modification that you can make by carefully cutting one canopy side panel. Work very carefully.



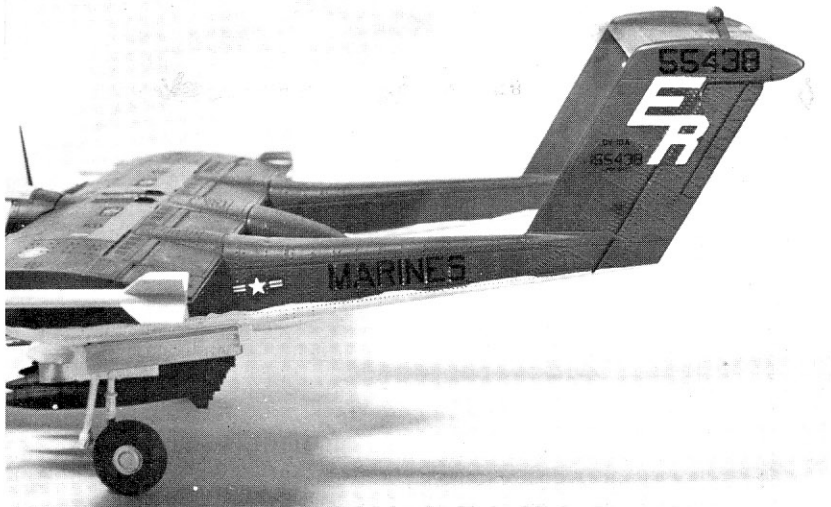
This photograph shows decal placement on the right body side. The rectangular step and handhold markings are used on the right side only.



Black wingwalk stripe, red fueling circles, and star insignia are shown above. The star insignia is located in the same position on the lower right wing.



Apply the decals to the tail booms as indicated in the photos at left.



### FINISHING INSTRUCTIONS

COCKPIT INTERIOR .....	GRAY
INSTRUMENT PANEL .....	FLAT BLACK
GLARE SHIELD .....	FLAT BLACK
TIRES .....	FLAT BLACK
LANDING GEAR STRUTS .....	GRAY
BOMBS (IF USED) .....	OLIVE DRAB
PROPELLER SPINNER .....	FLAT BLACK
ENGINE INTAKE SCOOPS .....	FLAT BLACK
GUNS (IF USED) .....	FLAT BLACK
SIDEWINDERS and LAUNCH RAILS (IF USED) .....	WHITE
PILOT:	
HELMET .....	WHITE
HELMET VISOR .....	GREEN
SUIT .....	GRAY-GREEN
GLOVES, BOOTS, OXYGEN MASK .....	FLAT BLACK
FACE .....	FLESH

#### AIRCRAFT EXTERIOR:

Olive green with light gray undersurfaces.



OV-10A  
155438  
NH 01



204

204

204

MARINES  
MARINES

OV-10A  
155438  
NH 01

204

55438



DANGER  
EXHAUST

DANGER  
EXHAUST



55438

