

■ Decal 전사지 X 1

1	83H12	FLAT BLACK	MATTSCHWARZ	NOIR MAT	つや消しブラック	무광검정색
2	23H18	STEEL	STAHL	GRIS ACIER	黒鉄色	흑철색
3	55H81	KHAKI	KHAKI	KAKI	カーキ	카키색
4	3H8	SILVER	SILBER	ARGENT	シルバー (銀)	은색
5	19	SANDY BROWN	SAND GELB	BRUN SABLE	サンディブラウン	샌디브라운
6	83H78	OLIVE DRAB(2)	BRAUNOLIVE	BRUN OLIVE	オリーブドラブ	올리브드랍

ACADEMY
HOBBY MODEL KITS

ACADEMY
ACADEMY PLASTIC MODEL CO., LTD.
고객상담부: 031-890-8556



※ You can download the latest version of an instruction manual for this model by visiting www.academyhobby.com, clicking the link for 'INSTRUCTION & DOWNLOAD' and entering the item number.
본 제품의 조립 중 궁금한 점은 www.academy.co.kr 접속 후 메뉴 '자료실' -> '프라모델' 로 이동하여 해당 제품명을 입력하면 최신의 설명서를 확인 하실 수 있습니다.

현재의 부품 Current parts Do not cement No use cutter Check	현재의 부품 Do not cement No use cutter Not used	3 Repair operation Repeat operation Verify replacement	☆ Details Check dimensions Assemble	9 Add weight Measure weight	□ Use filler Measure Scratch
잘라내기 Cut away Cut	? Capable parts Check Availability	▶ Read instructions Read page Refer to page	⚠ Make hole Be careful Make hole	! Pay attention Pay attention Pay attention	□ Label number Label number Label number

<READ THIS BEFORE YOU BEGIN>
 - Study the instructions before assembling. - Check the fit of each piece before cementing it in place.
 - Do not use too much cement to join parts. - Never use cement or paint near open flame.
 - Open a window or make area well ventilated when cement or paint is in use.
 - Tear up and throw away the empty plastic bags to avoid danger of suffocation for little children.

<LISEZ CE QUI SUIT AVANT DE COMMENCER LE MONTAGE>
 - Etudier les schémas d'assemblage. - Contrôler que chaque pièce soit bien conforme avant de la coller à sa place.
 - N'utiliser pas trop de colle pour réunir les pièces. - Ne jamais manipuler la colle ou peindre à proximité d'une flamme.
 - After adhesion, the pieces are to be kept in position, checking the sac after detaching the sac after detaching the sac and no s'écrouler.

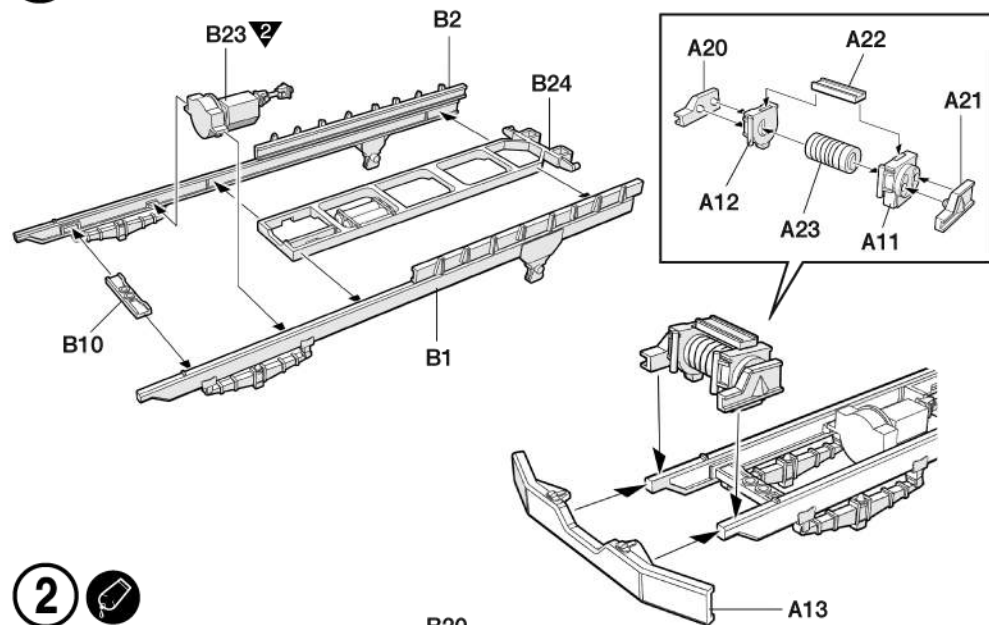
■ 조립하기 전에
 -부품을 조립하기 전에 설명서를 잘 읽어본 후 조립한다. -부품을 지를 때는 열이나 불에 가까이 가지 않는다. -접착제를 사용할 곳과 사용하지 않는 곳에 주의하고 너무 많이 바르지 않도록 한다.
 -접착하기 전에 부품을 맞추어 확인한 후 조립한다. -에나멜 페인트나 접착제를 사용할 때는 창문을 열어 환기를 시키고 화기를 멀리한다. -사용 후 남은 부품을 어린 아이들의 손이 닿지 않도록 잘 처리한다.

⚠ 보호자 분들은 반드시 읽어 주십시오

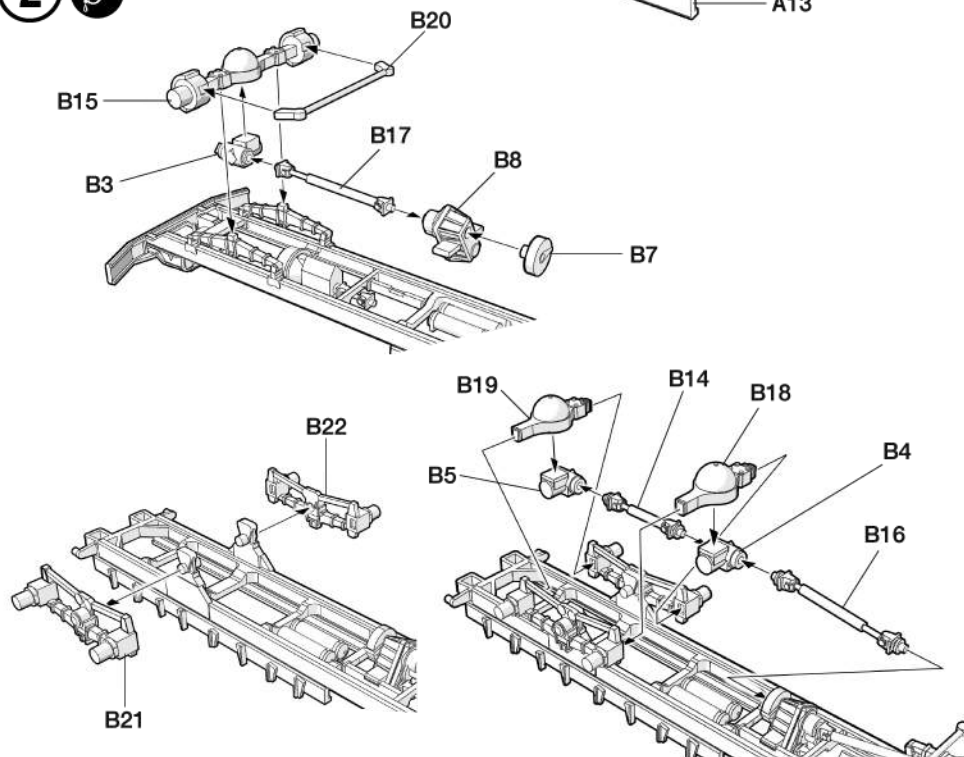
주의
WARNING!

Before starting to assemble, read the instruction manual very carefully to understand well everything of the instructions.
 Before cutting a part off sprue, check the part number again and use proper tool such as ripper to cut it clearly. Take care not to be hurt in use of modeling knife to cut or trim parts.
 Never put small parts in the mouth to avoid any danger of suffocation by accidentally swallowed ones. ● Never let children less than 3 years old have it to avoid any danger of taking it.
 The product may have some protruding parts for functional reasons and take care of handling it always.
 After cutting a part off sprue, trim it clearly to assemble and the wastes should be properly sorted to dispose.
 Plastic bags packed with the product and parts should be disposed in a proper place immediately to keep out of children to avoid any danger of suffocation by pulling it over head or putting it over face.
 Before using modeling colors or cement, open windows to keep the room well ventilated and do not use near fire or flame. After using them, keep in a proper place out of children.

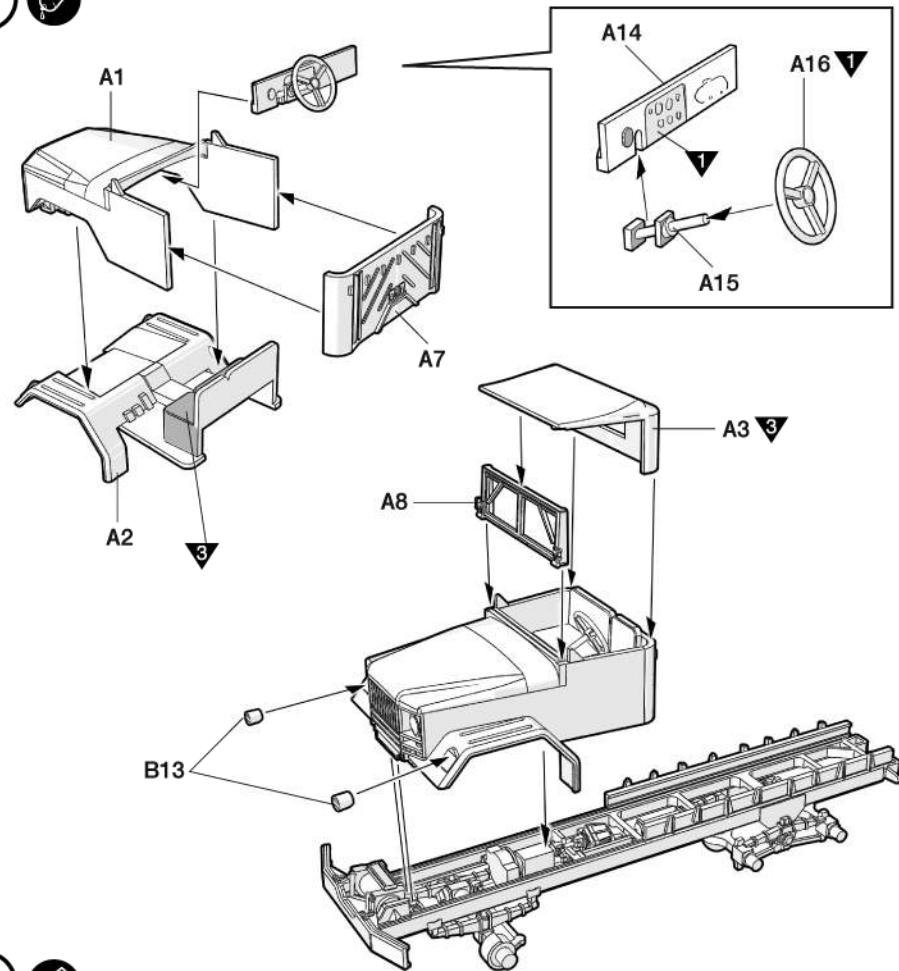
1



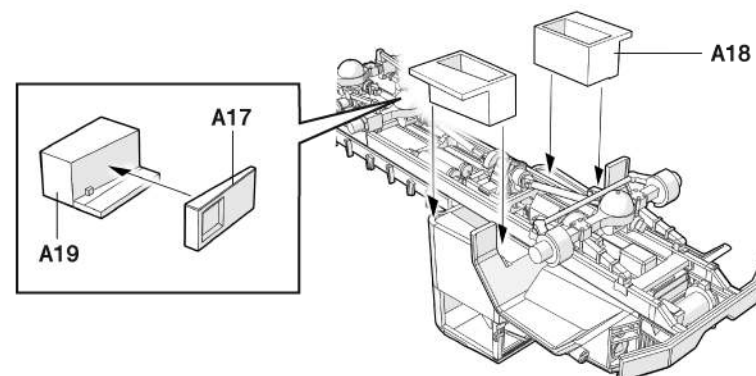
2



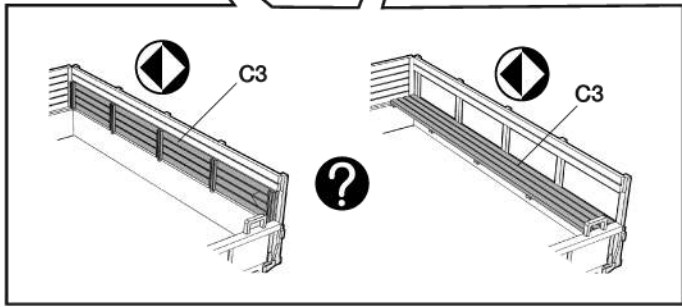
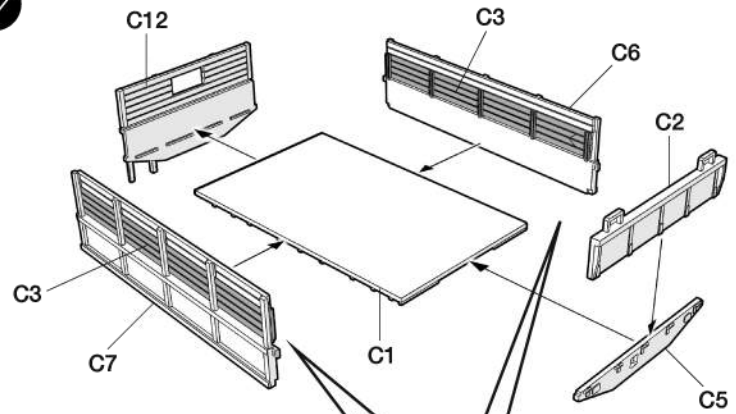
3



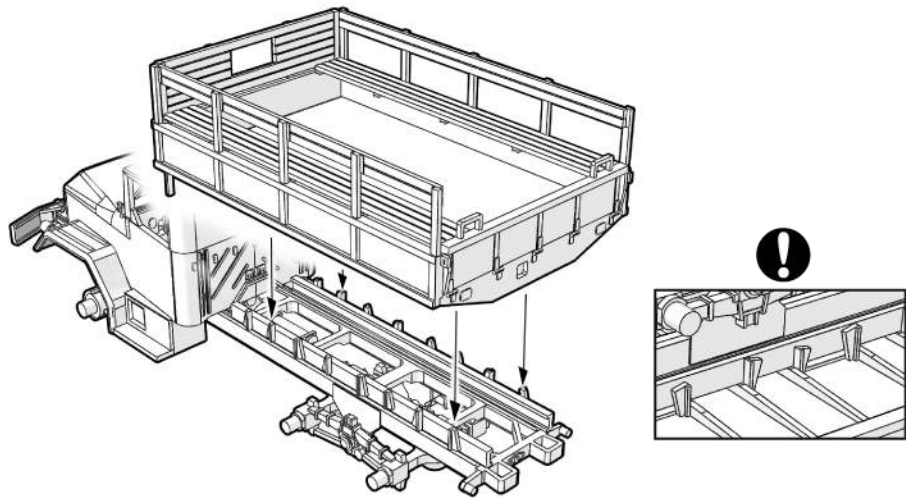
4



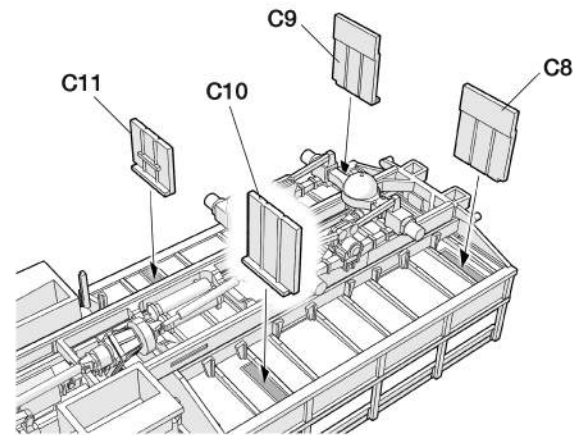
5



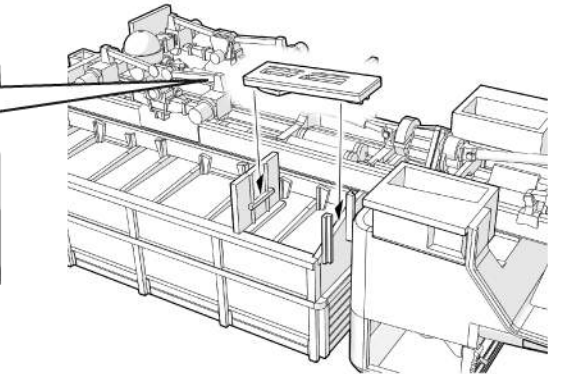
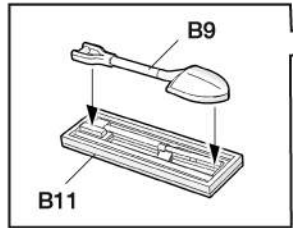
6



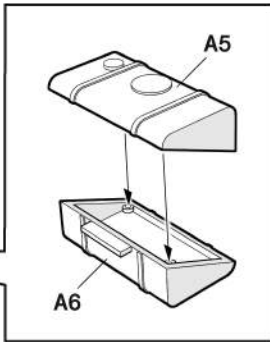
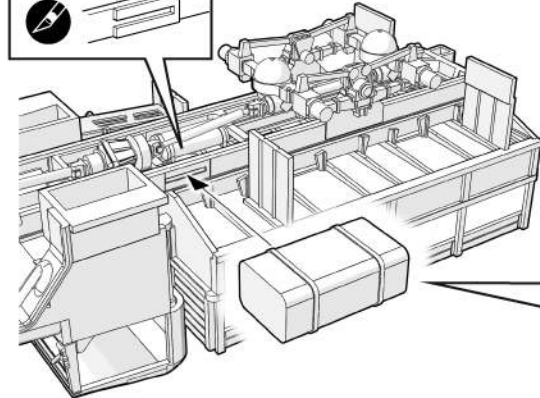
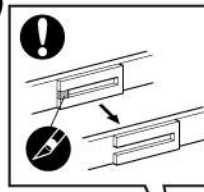
7



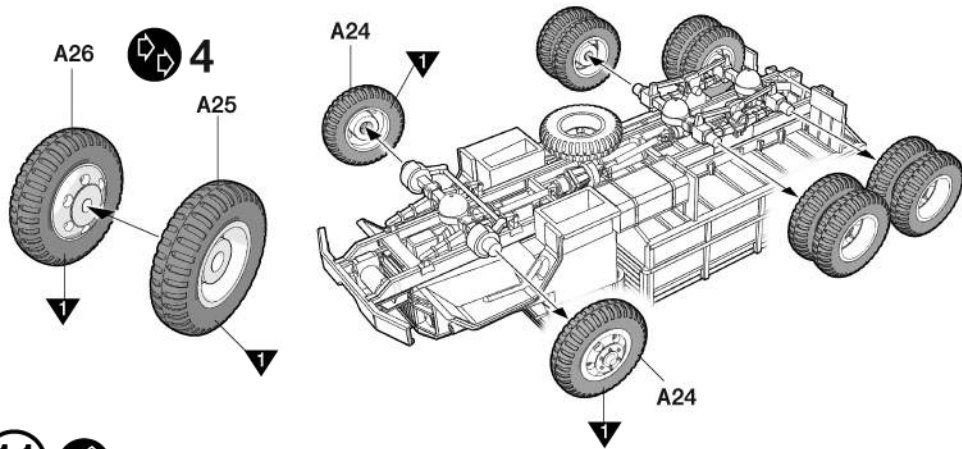
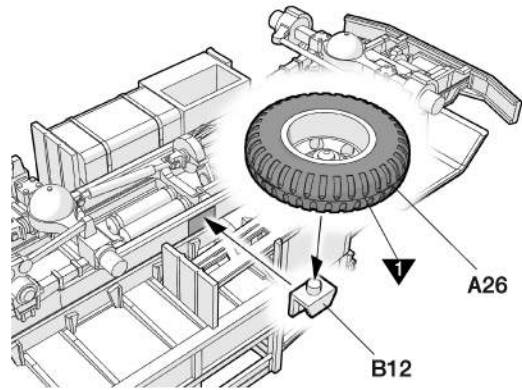
8



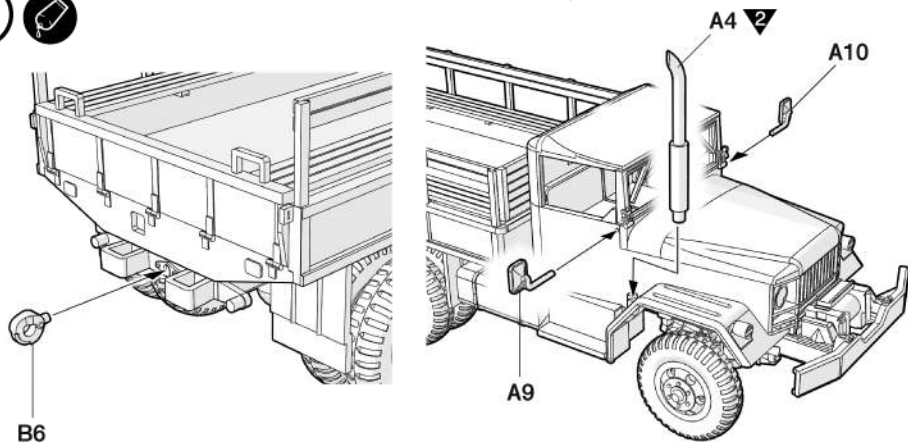
9



10



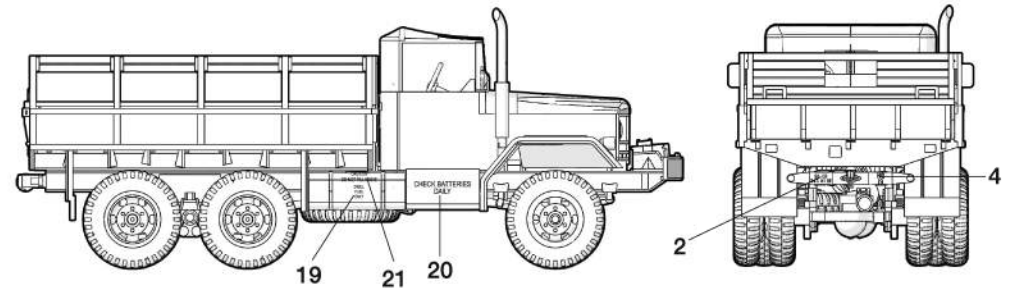
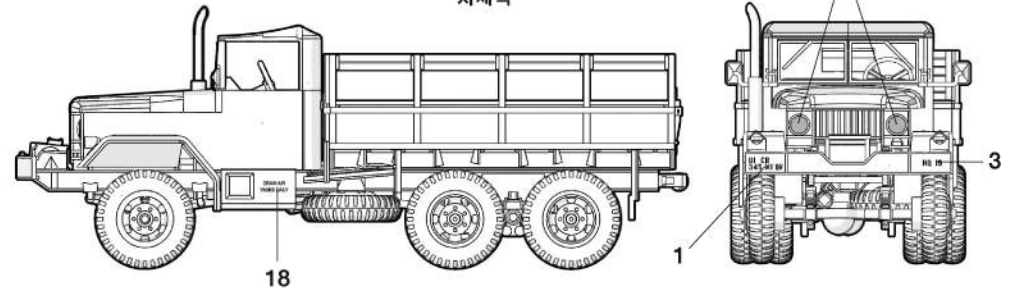
11



Painting & Decal placement 색칠 및 전사지 붙이기

1 Baghdad Iraq, 2003
2003년 이라크, 바그다드

5
Body Color
차체색



2 Vietnam, 1968
1968년, 베트남

6
Body Color
차체색

