

5033

MILITARY MINIATURE SERIES

RFM
RYEFIELD MODEL

Pz.Kpfw.IV Ausf.J Late Production

Pz.Beob.Wg.IV Ausf.J w/workable track links **2 in 1**

IV号战车 J型 後期型/观测战车 w/連結組立可動式履帶 IV号坦克 J型 最后期型/炮兵观测车 含可動式履帶

ASSEMBLY ICONS



OPTIONAL
选择



CEMENT
膠水



DO NOT CEMENT
不使用膠水



INSTANT CEMENT
瞬間接著劑



BEND
彎折



MAKE 2
製作2組



OPEN HOLE
鑽孔



REMOVE
切除



BE CAREFUL
注意



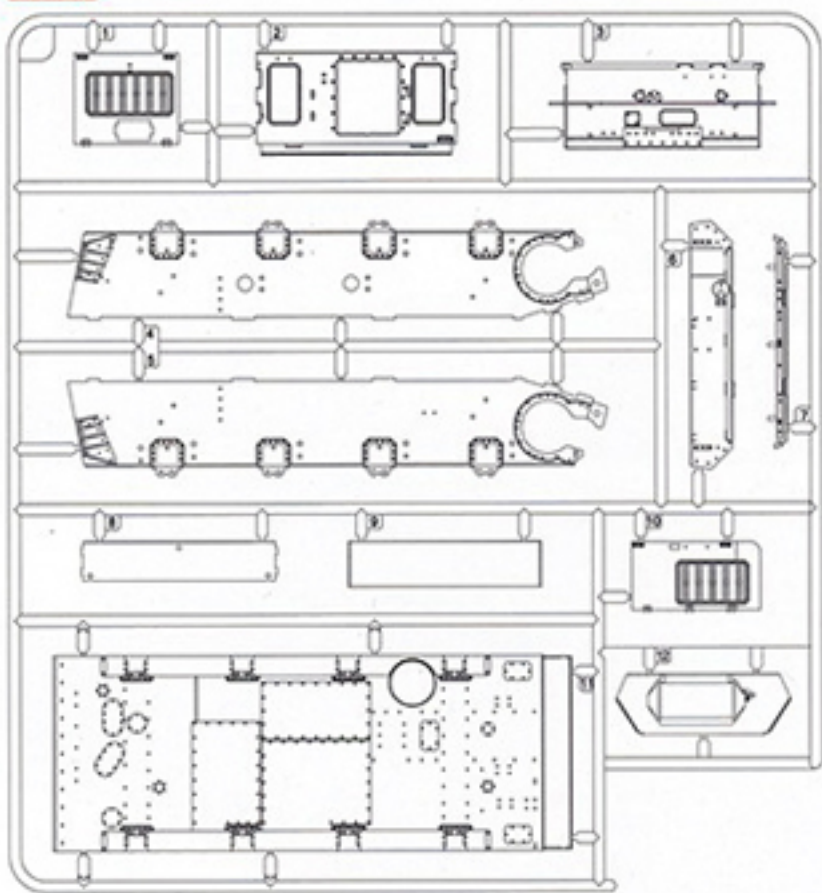
APPLY DECAL
貼上水貼紙

CAUTION!

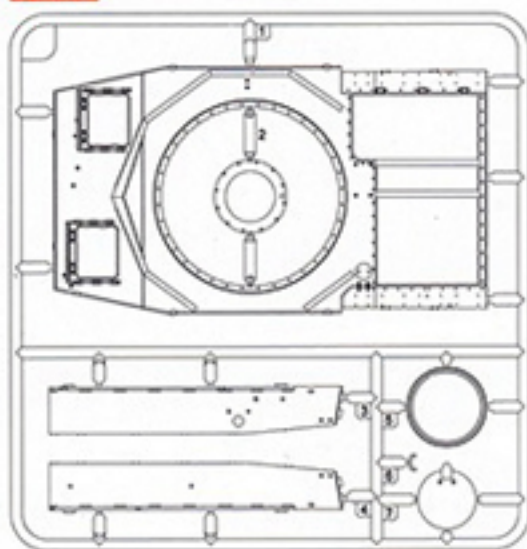
Read carefully and fully understand the instructions before commencing assembly. Supervising adult should also read the instructions if a child assembles the model. When you used glue or paint, do not use near a naked flame, and use in a well-ventilated room. When assembling this kit, tools including knives are used. Extra care should be taken to avoid personal injury. Read and follow the instructions supplied with paints and/ or cement. Use plastic cement and paints only. Keep out of reach of small children. Children must not be allowed to suck any part, or pull vinyl bag over the head.

在裝配前仔細閱讀說明並完全理解。小孩裝配時需成人看護且需仔細閱讀說明。使用膠水和油漆時，應遠離火源並打開窗戶保持空氣流通。製作時請格外注意工具刀和零件的鋒利尖銳部分，避免對身體造成傷害。在使用膠水和油漆前仔細閱讀注意事項，按照說明正確使用膠水和油漆。請將本品放在兒童接觸不到的地方，套件中的塑膠包裝袋會對兒童造成窒息的危險。

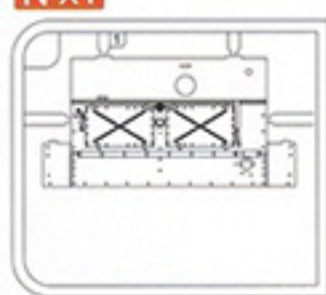
A x1



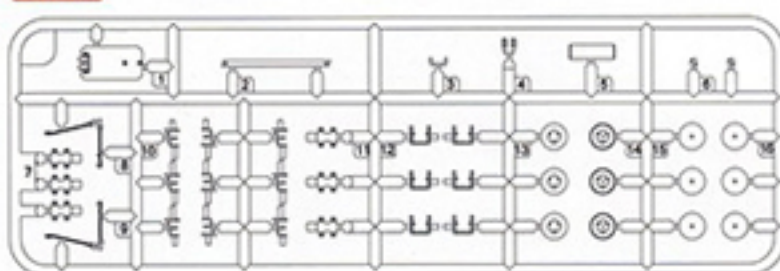
B x1



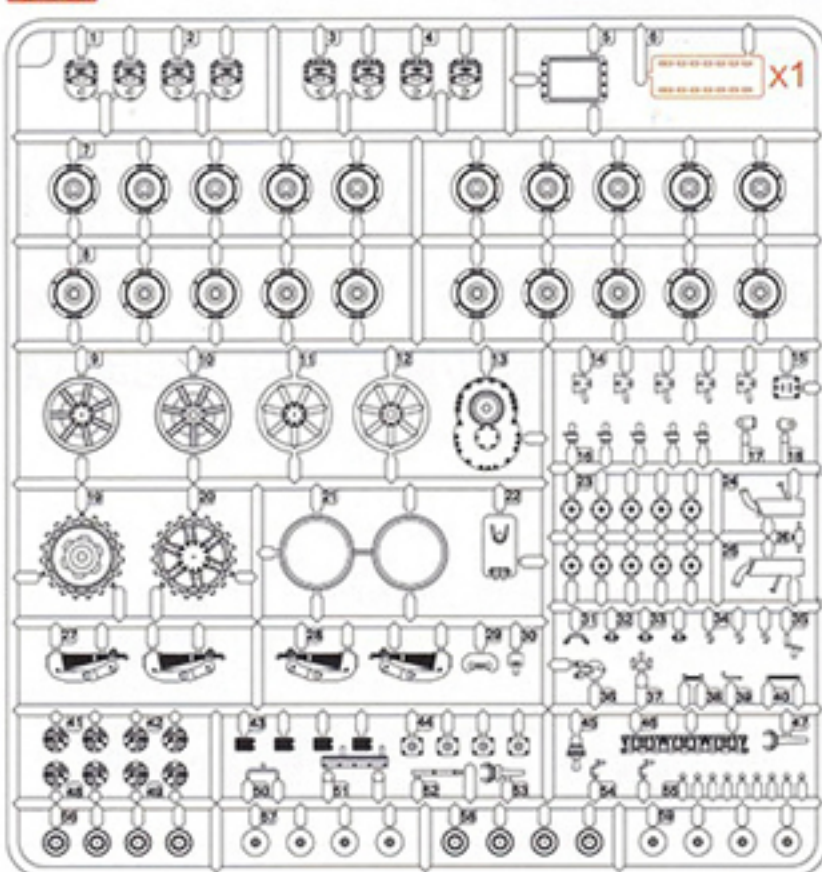
N x1



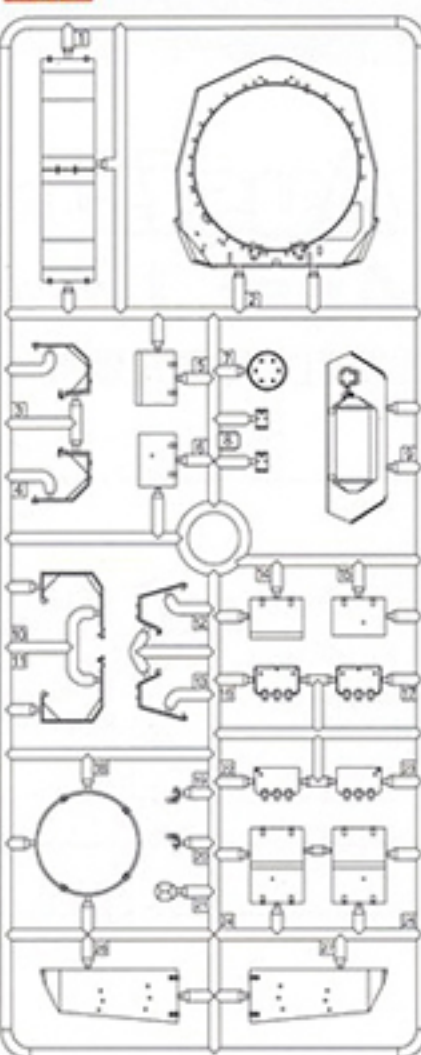
D x2



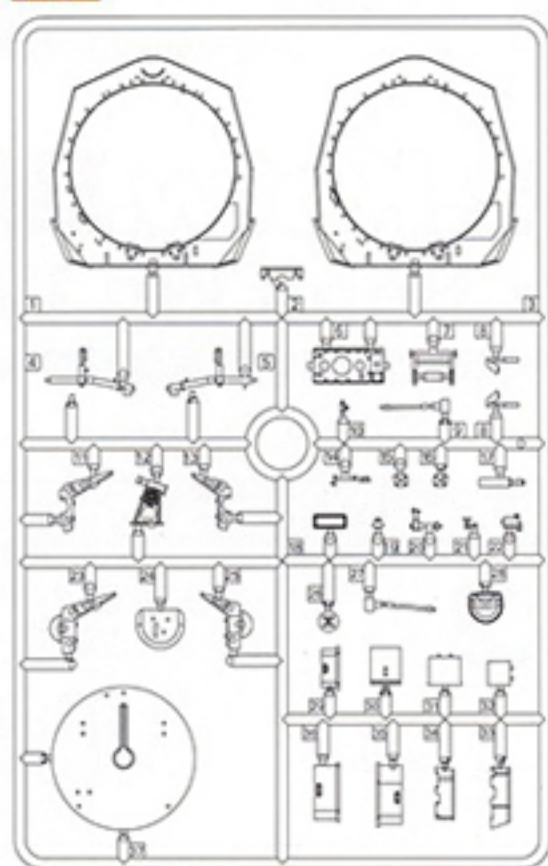
C x2



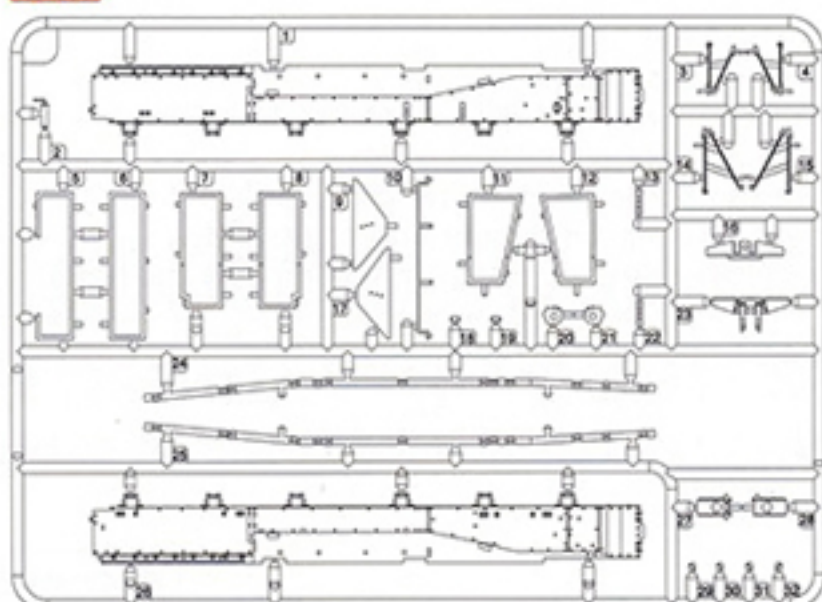
E x1



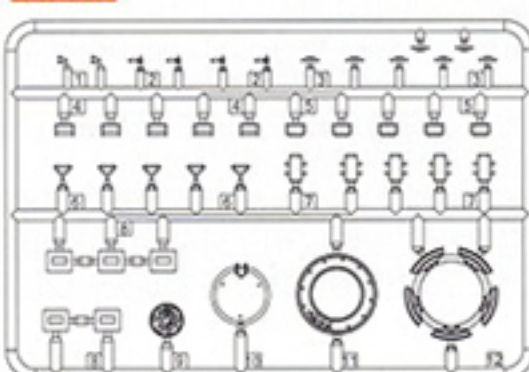
F x1



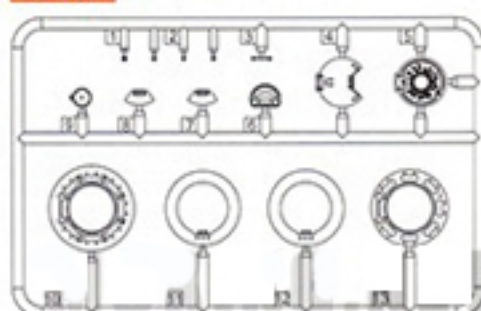
G x1



J1 x1

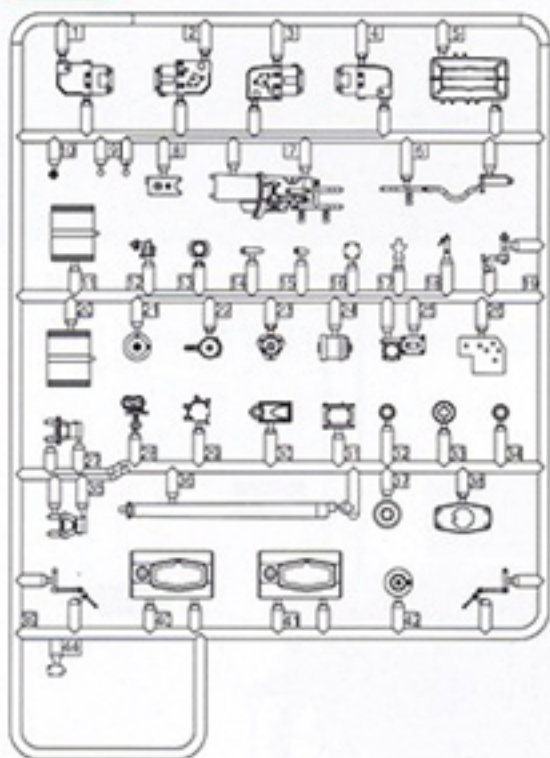


J2 x1

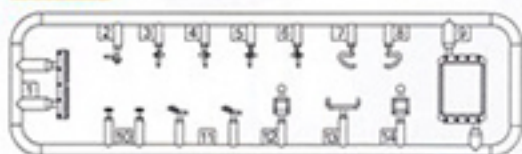


PARTS · 部品图

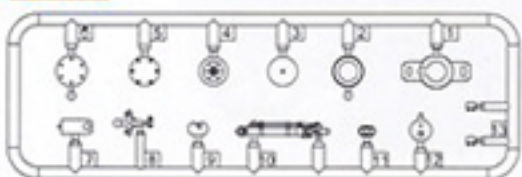
H x1



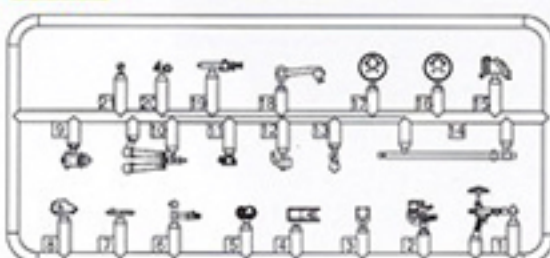
M x1



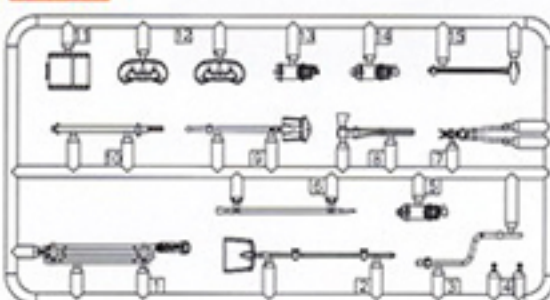
P x1



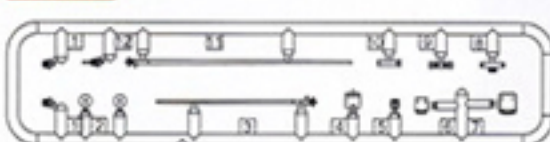
S x1



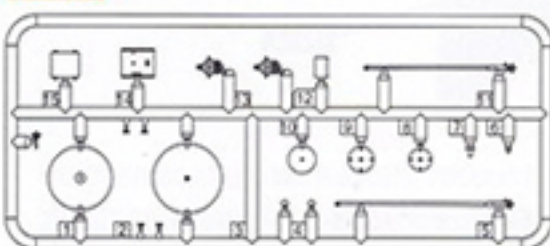
T x1



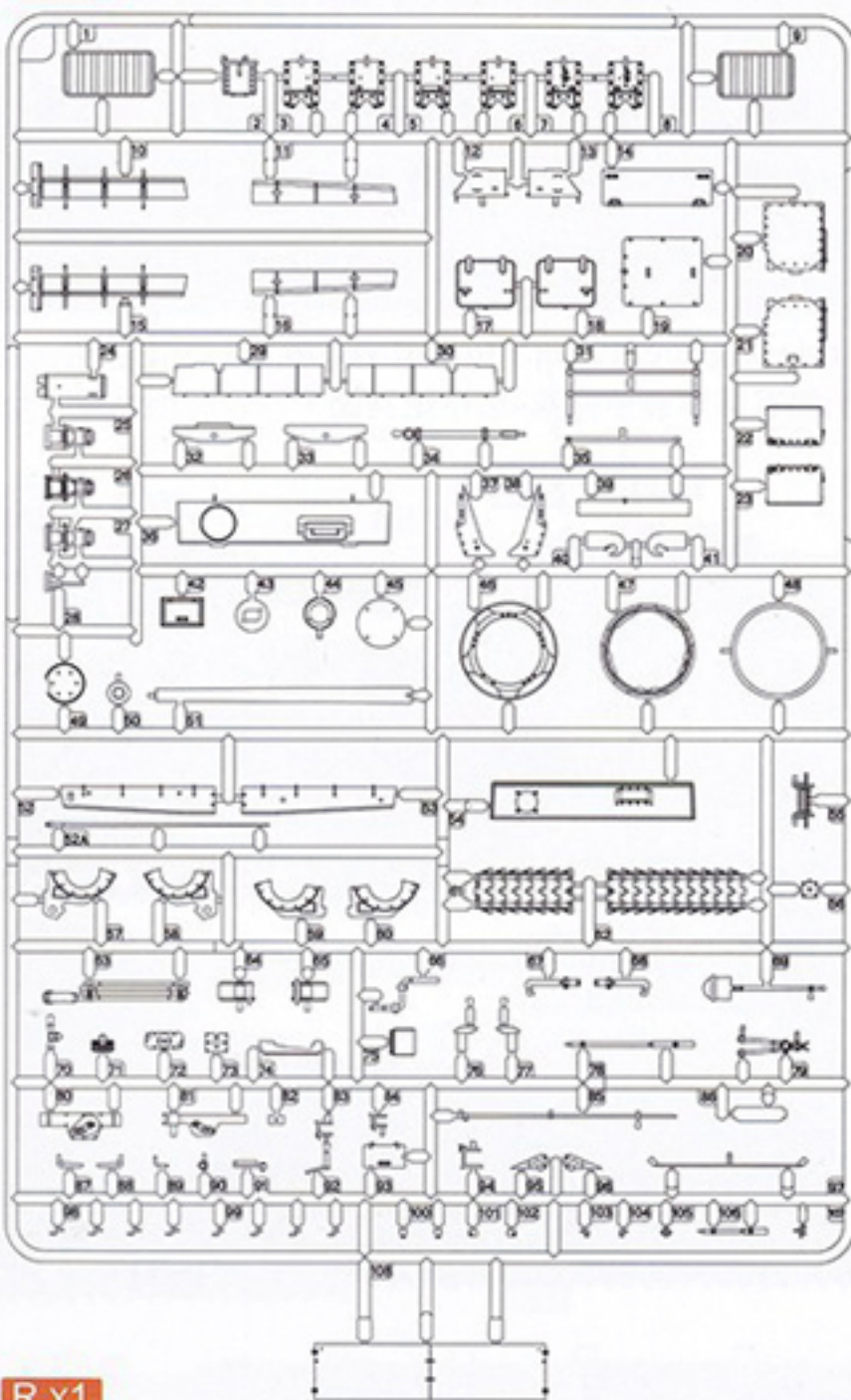
U1 x1



U x1



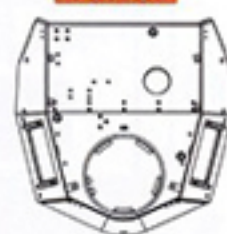
K x1



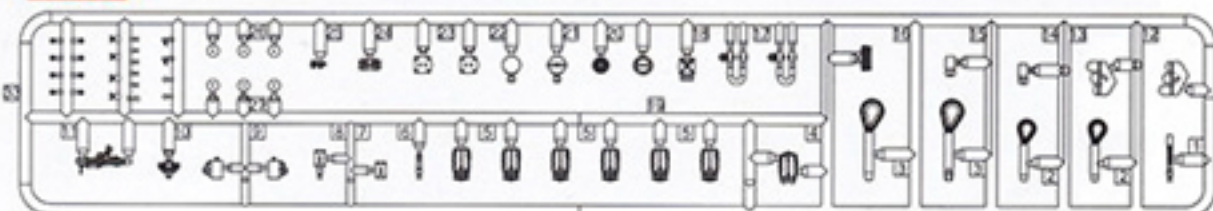
J4 x1



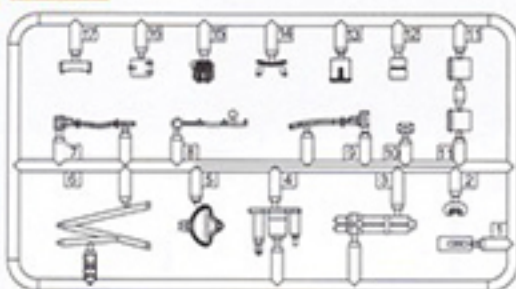
Turret



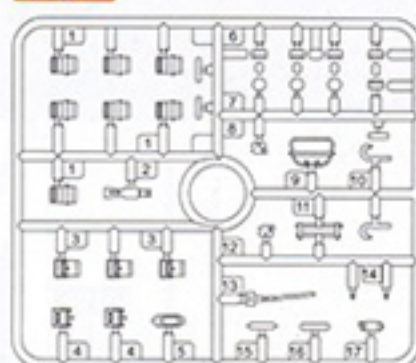
R x1



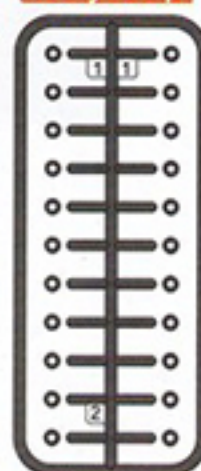
V x1



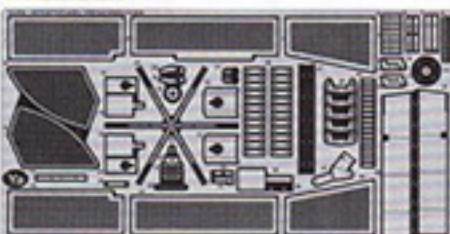
W x1



Poly Cap



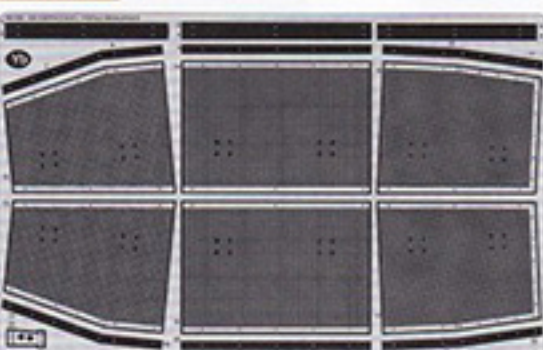
Ya x1



Decal



Yb x1

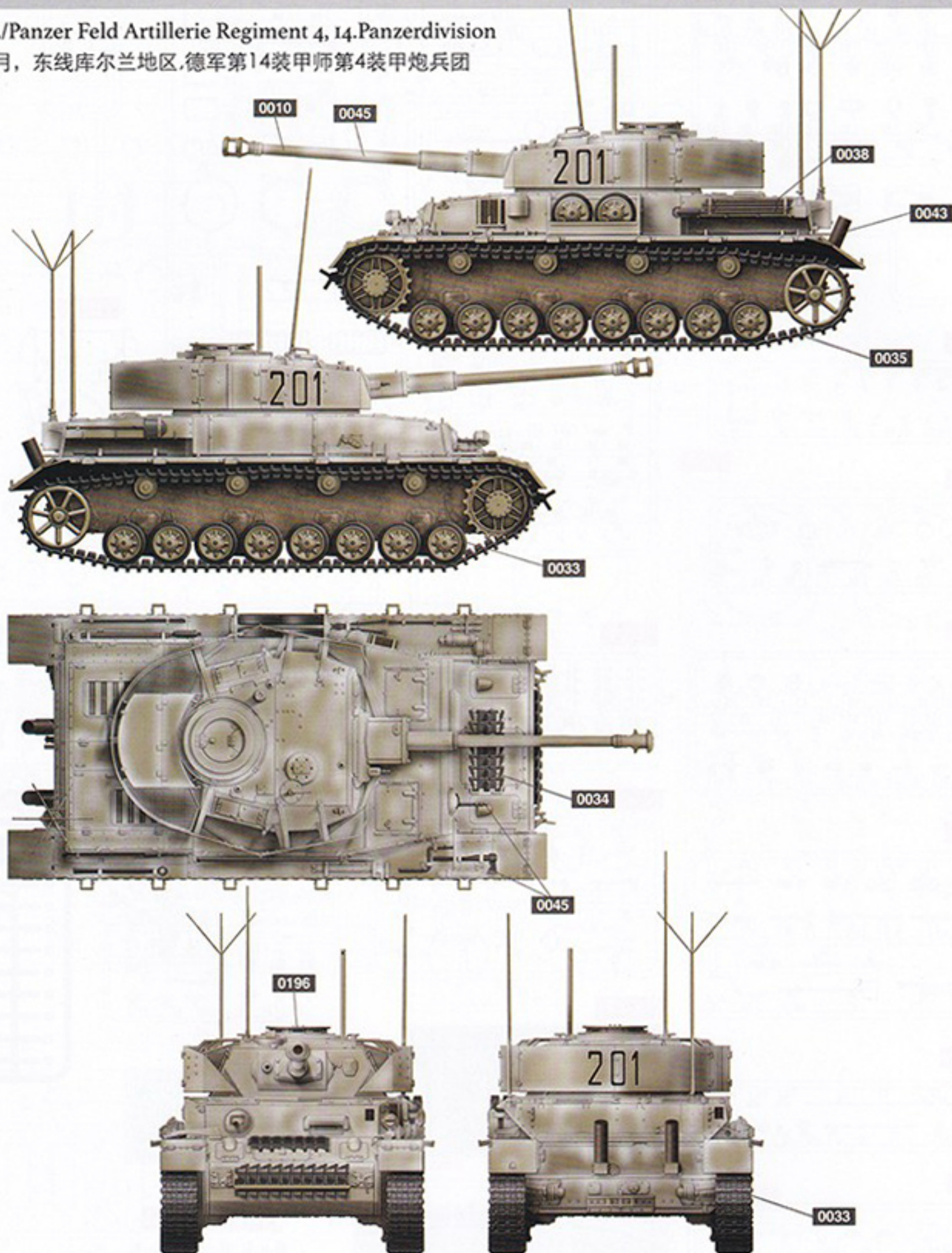


Tracks x 204



A.MIG-0033 Rubber & Tires	A.MIG-0034 Rust Tracks	A.MIG-0035 Dark Tracks	A.MIG-0038 Light Wood
A.MIG-0045 Gun Metal	A.MIG-0043 Shadow Rust	A.MIG-0096 Crystal Periscope Green	A.MIG-0010 Dunkelgelb Mid War
A.MIG-0045 Washable White Camo			

No.201, 2./Panzer Feld Artillerie Regiment 4, 14.Panzerdivision
 1945年2月, 东线库尔兰地区, 德军第14装甲师第4装甲炮兵团



WEATHERING STEPS WITH AMMO PRODUCTS

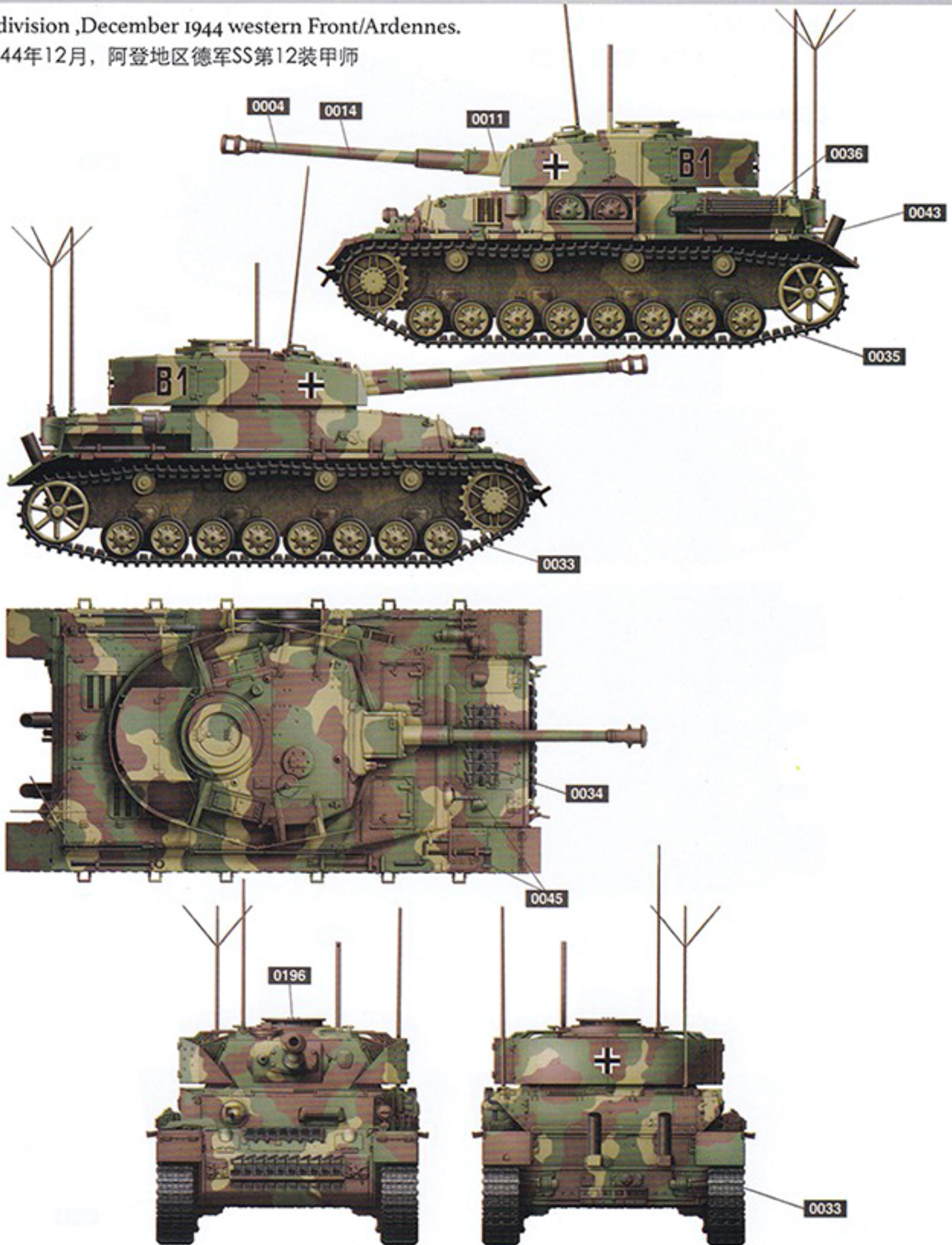
- | | | | |
|--|--|---|---|
| 1 GENERAL WASH
A.MIG-1000 Brown Wash for German Yellow | 3 STREAKING
A.MIG-1255 Streakingbrusher Winter Grime | 5 TRACK WASH
A.MIG-1002 Tracks Wash | 7 MUD & SPLASHES
A.MIG-1704 Heavy Earth A.MIG-1754 Damo Earth |
| 2 FILTER
A.MIG-1505 Grey for Yellow Sand | 4 RUST
A.MIG-3510 Rust | 6 DUST
A.MIG-3007 Dark Earth | 8 GREASE & OIL
A.MIG-1408 Fresh Engine Oil A.MIG-1409 Fuel Stains |

PAINTING AND MARKING GUIDE

 A.MIG-0033 Rubber & Tires	 A.MIG-0034 Rust Tracks	 A.MIG-0035 Dark Tracks	 A.MIG-0036 Old Wood
 A.MIG-0045 Gun Metal	 A.MIG-0043 Shadow Rust	 A.MIG-0096 Crystal Periscope Green	 A.MIG-0011 Dunkelgelb AUS '44 DG I
 A.MIG-0004 B Resedagrün	 A.MIG-0014 Rotbraun		

12. Panzerdivision, December 1944 western Front/Ardennes.

No. B1, 1944年12月, 阿登地区德军SS第12装甲师



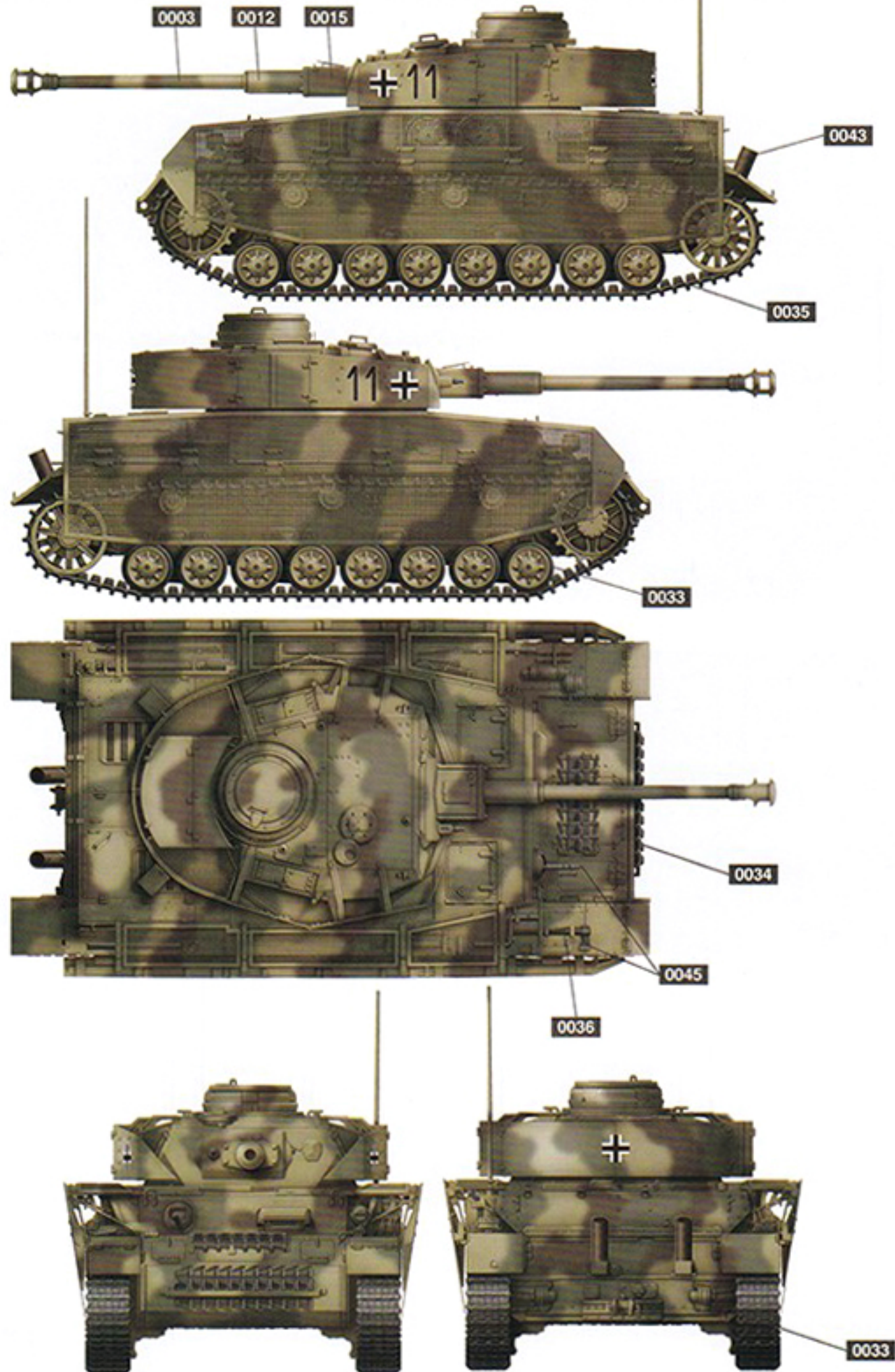
WEATHERING STEPS WITH AMMO PRODUCTS

1 GENERAL WASH A.MIG-1008 Dark Wash	3 STREAKING A.MIG-1206 Dark Streaking Grime	5 TRACK WASH A.MIG-1002 Tracks Wash	7 MUD & SPLASHES A.MIG-1704 Heavy Earth A.MIG-1753 Turned Dirt
2 FILTER A.MIG-1510 Tan for 3 Tone Camo	4 RUST A.MIG-1254 Streakingbrusher Rust	6 DUST A.MIG-3004 Europe Earth	8 GREASE & OIL A.MIG-1408 Fresh Engine Oil A.MIG-1409 Fuel Stains

PAINTING AND MARKING GUIDE

 A.MIG-0033 Rubber & Tires	 A.MIG-0034 Rust Tracks	 A.MIG-0035 Dark Tracks	 A.MIG-0036 Old Wood
 A.MIG-0045 Gun Metal	 A.MIG-0043 Shadow Rust	 A.MIG-0011 Dunkelgelb Aus '44	 A.MIG-0003 RAL 6011 Reseda Grün
 A.MIG-0012 Dunkelgelb Aus '44 DG III	 A.MIG-0015 Schokobraun		

No.II, Bad Kötzing, Bavaria, May 1945 1945年5月, 巴特克茨廷, 德军第11装甲师第15装甲团2营



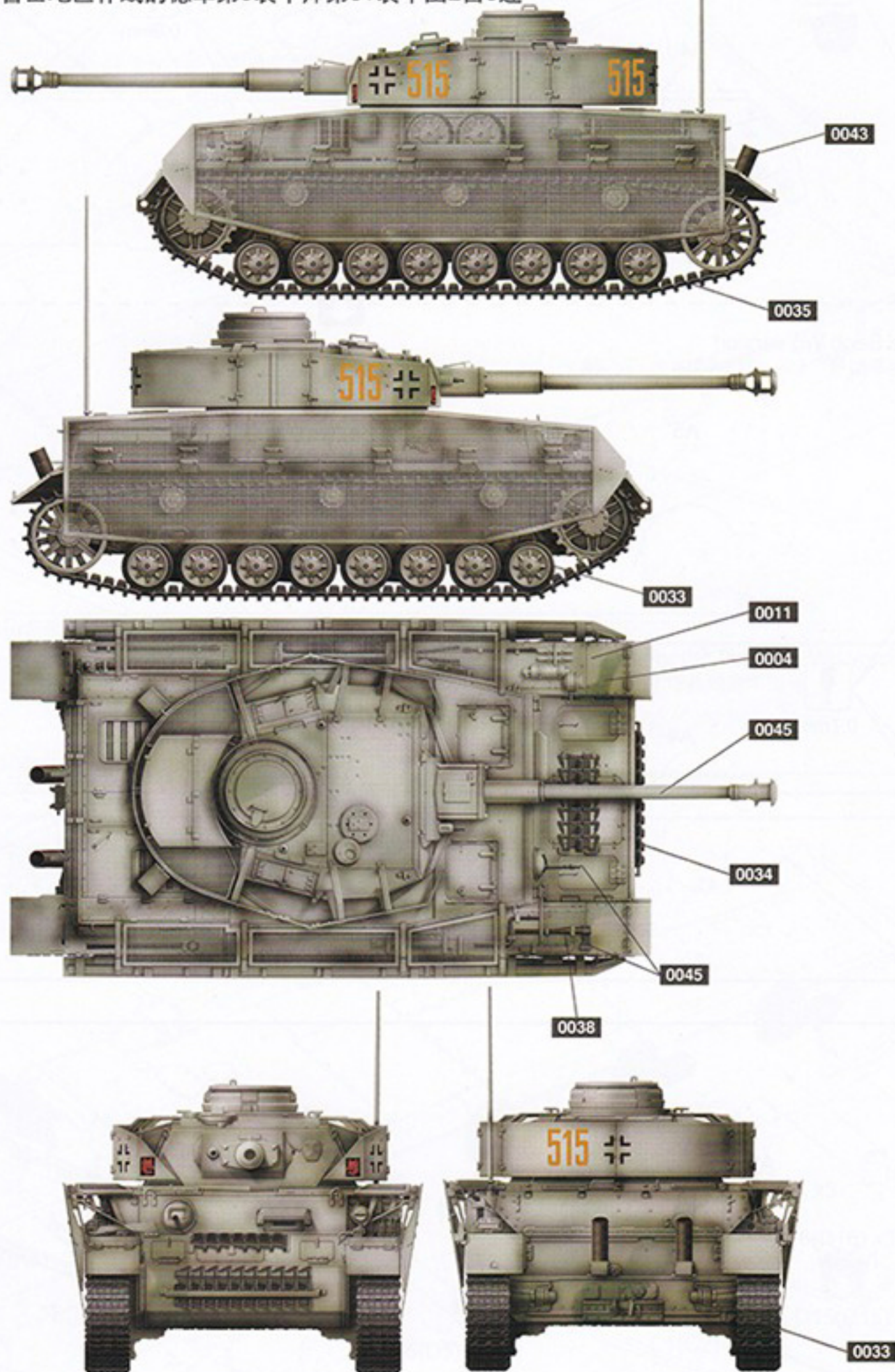
WEATHERING STEPS WITH AMMO PRODUCTS

1 GENERAL WASH A.MIG-1000 Brown Wash for Dark Yellow	3 STREAKING A.MIG-1253 Streakingbrusher Grime	5 TRACK WASH A.MIG-1002 Tracks Wash	7 MUD & SPLASHES A.MIG-1703 Moist Ground A.MIG-1752 Loose Ground
2 FILTER A.MIG-1510 Tan for 3 Tone Camo	4 RUST A.MIG-1204 Streaking Rust Effects	6 DUST A.MIG-3013 Rubble	8 GREASE & OIL A.MIG-1408 Fresh Engine Oil A.MIG-1409 Fuel Stains

PAINTING AND MARKING GUIDE

 A.MIG-0033 Rubber & Tires	 A.MIG-0034 Rust Tracks	 A.MIG-0035 Dark Tracks	 A.MIG-0038 Light Wood
 A.MIG-0045 Gun Metal	 A.MIG-0043 Shadow Rust	 A.MIG-0011 Dunkelgelb Aus '44	 A.MIG-0004 RAL 6011 B Resedagrün
 A.MIG-0045 Washable White Camo			

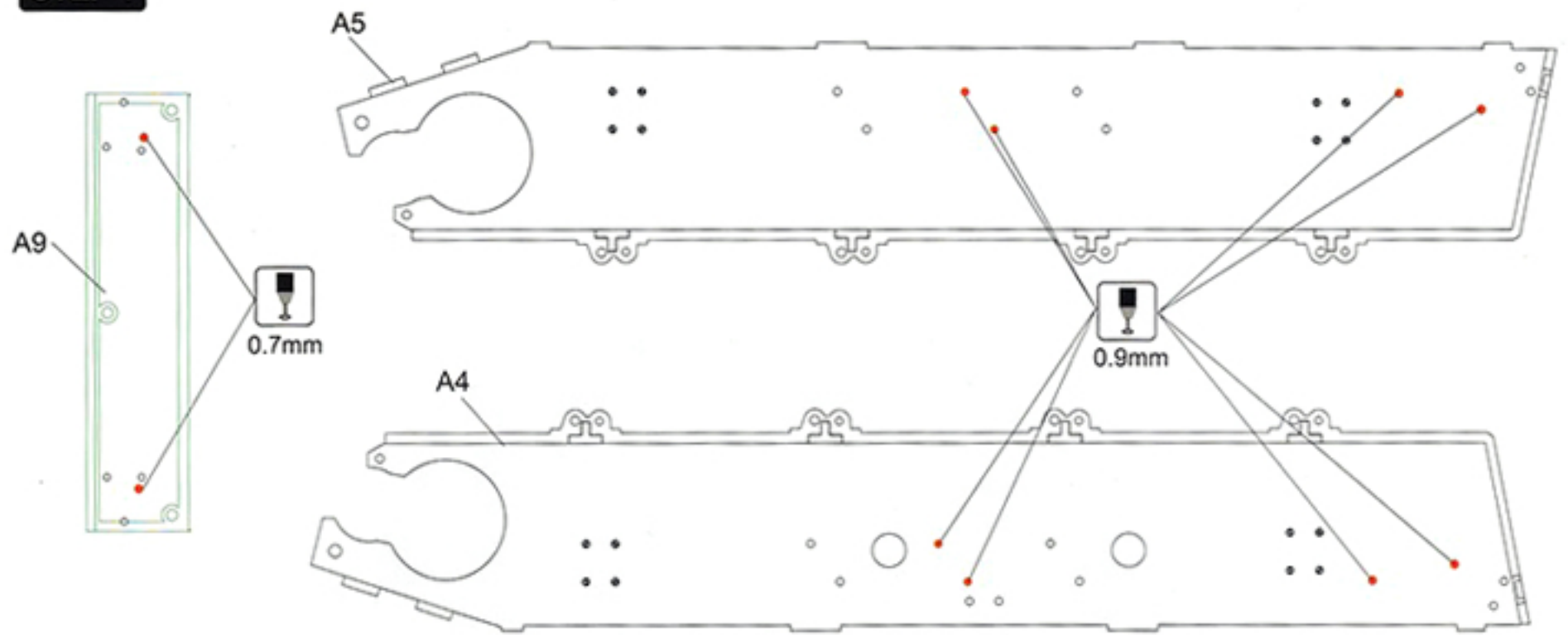
No.515, 5./Panzerregiment 31, 5.Panzerdivision, March 1945 Ost Preussen
1945年3月, 在东普鲁士地区作战的德军第5装甲师第31装甲团2营5连



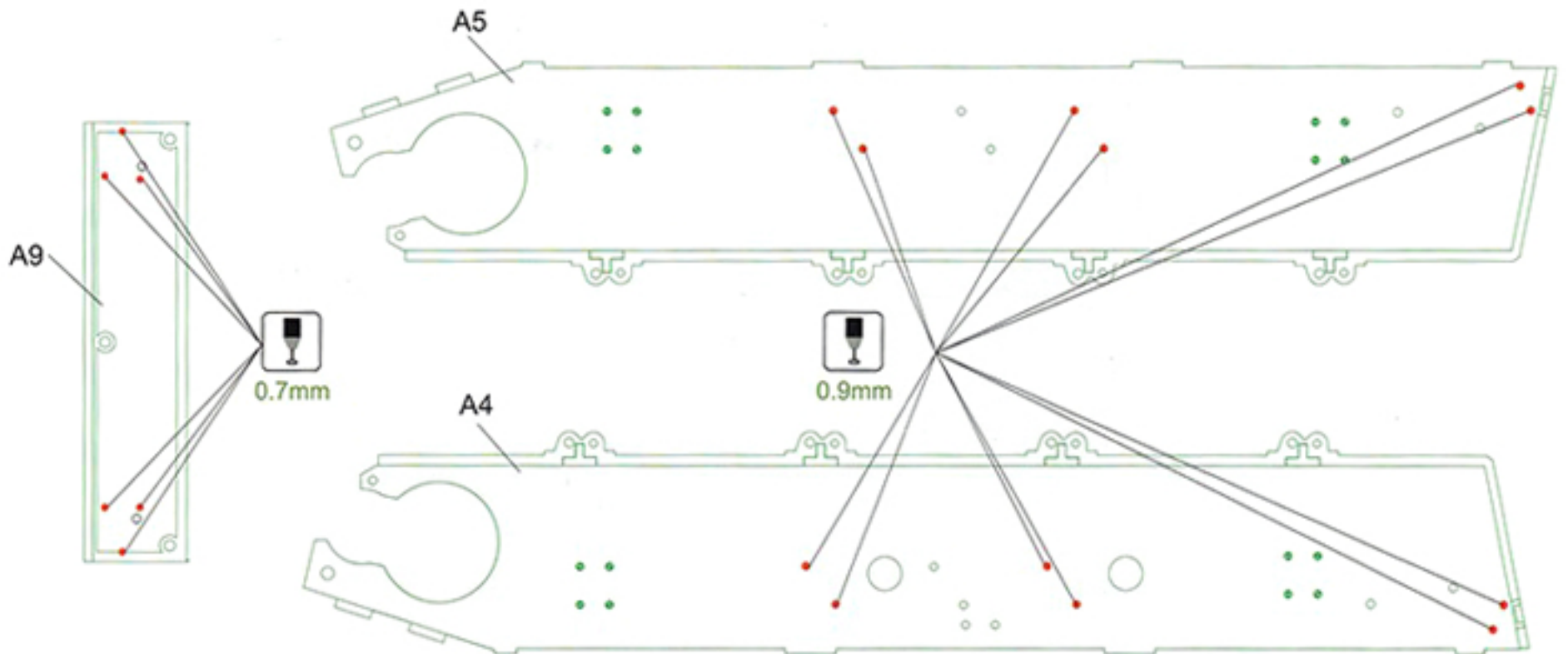
WEATHERING STEPS WITH AMMO PRODUCTS

1 GENERAL WASH A.MIG-1010 Neutral Wash	3 STREAKING A.MIG-1205 Streaking Grime for Winter Vehicles	5 TRACK WASH A.MIG-1002 Tracks Wash	7 MUD & SPLASHES A.MIG-1705 Wet Mud A.MIG-1754 Damp Earth
2 FILTER A.MIG-1501 Grey for White	4 RUST A.MIG-1254 Streakingbrusher Rust	6 DUST A.MIG-3029 Winter Soil	8 GREASE & OIL A.MIG-1408 Fresh Engine Oil A.MIG-1409 Fuel Stains

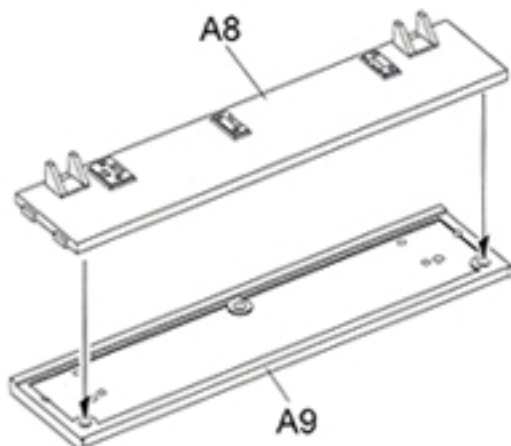
STEP 1



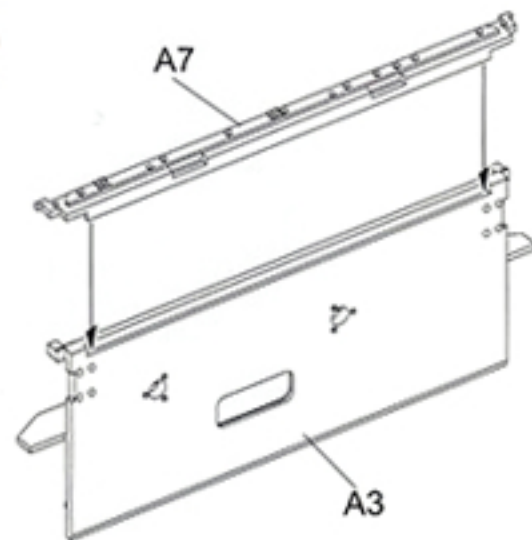
Apply for the Pz.Beob.Wg version
仅适用于炮兵观测车型号

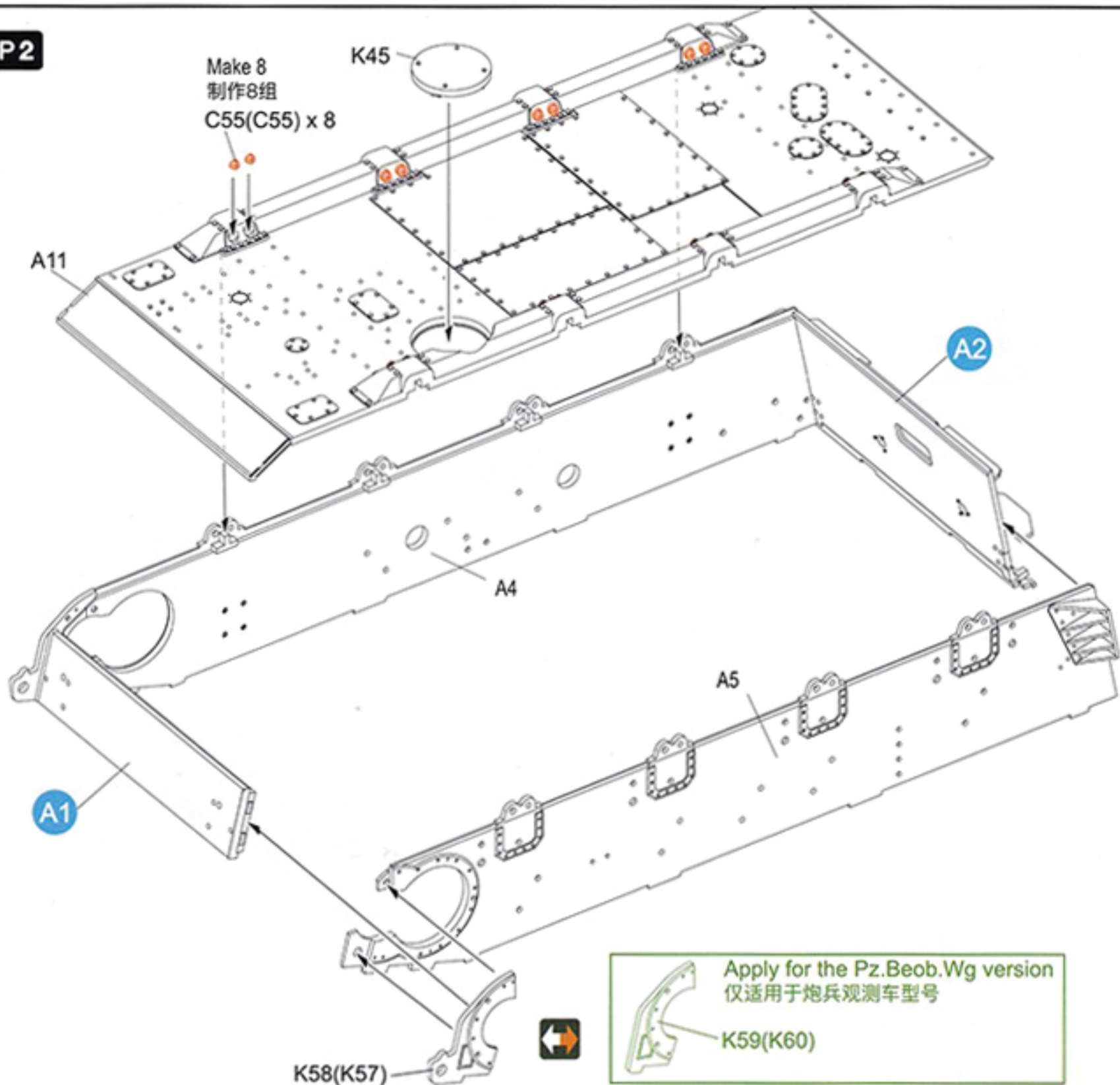


A1

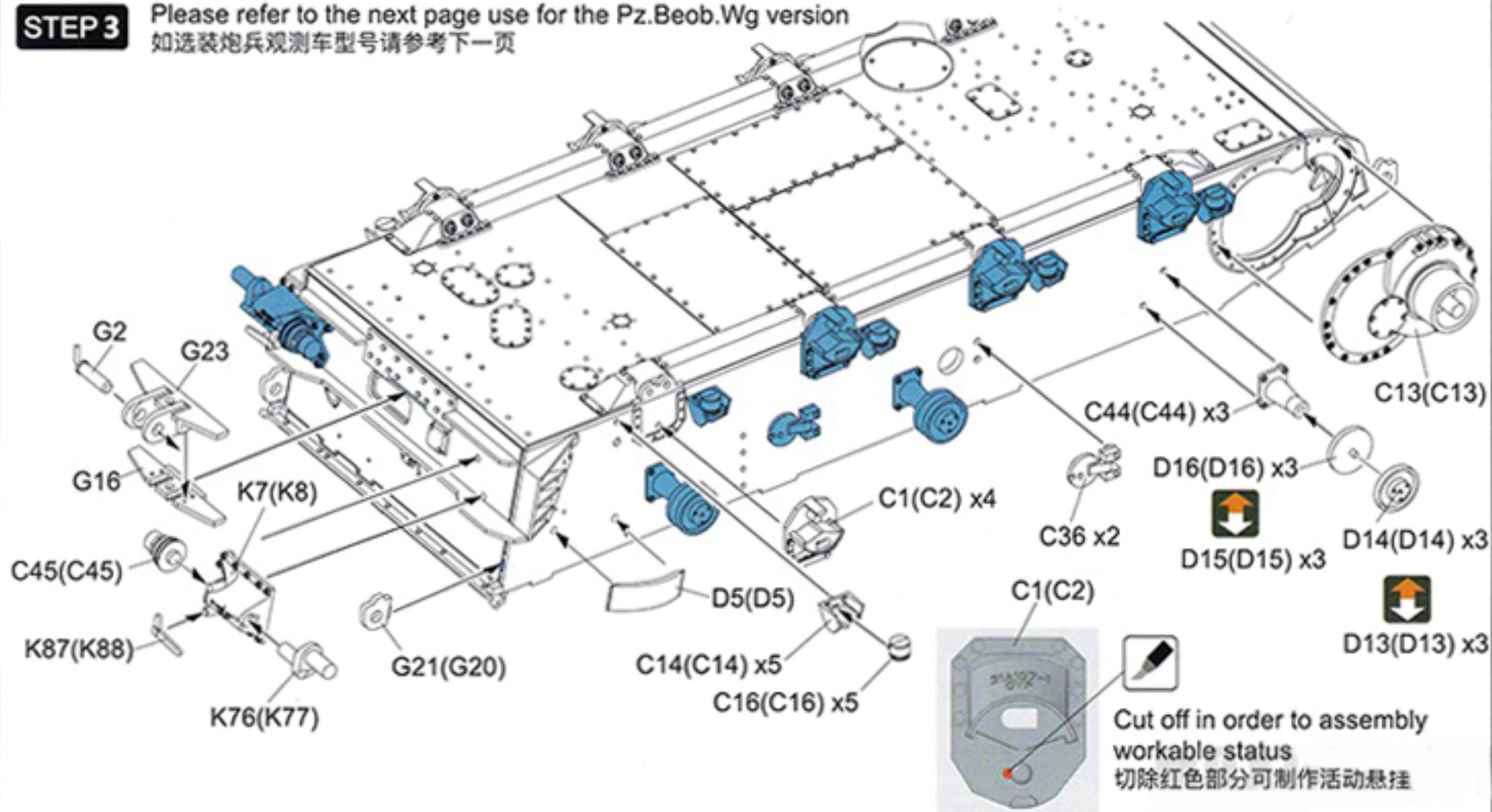


A2

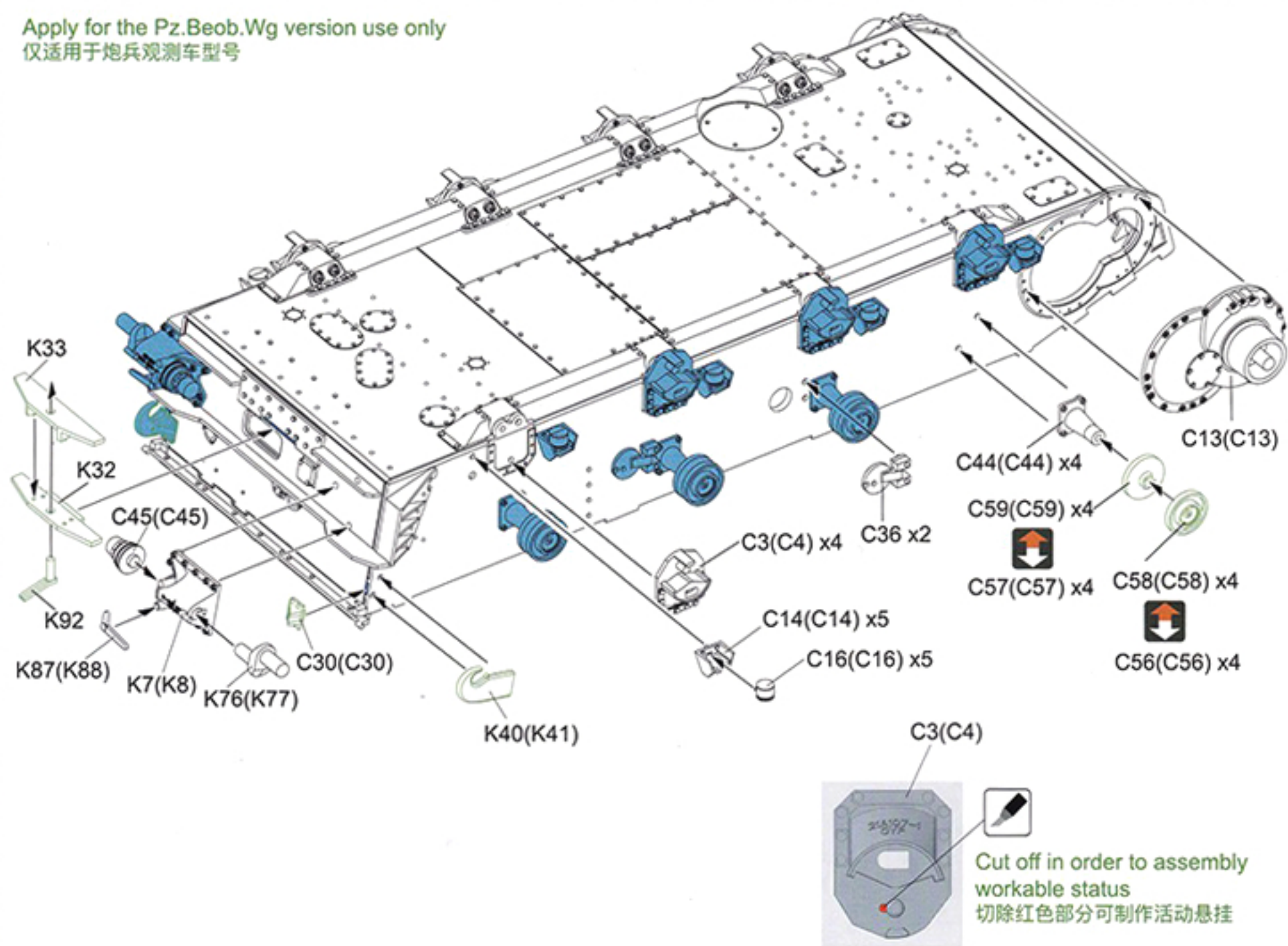


STEP 2**STEP 3**

Please refer to the next page use for the Pz.Beob.Wg version
如选装炮兵观测车型号请参考下一页

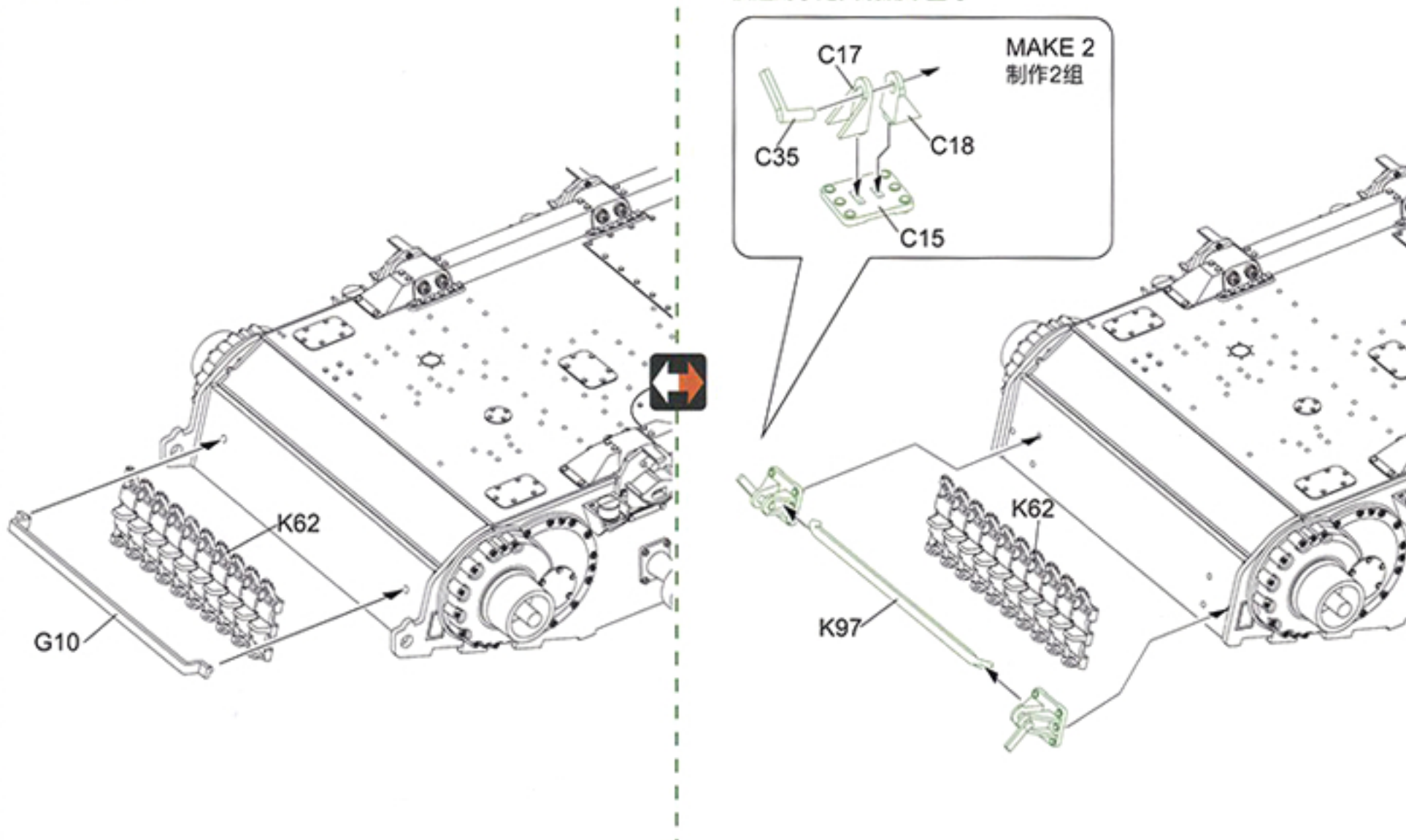


Apply for the Pz.Beob.Wg version use only
 仅适用于炮兵观测车型号

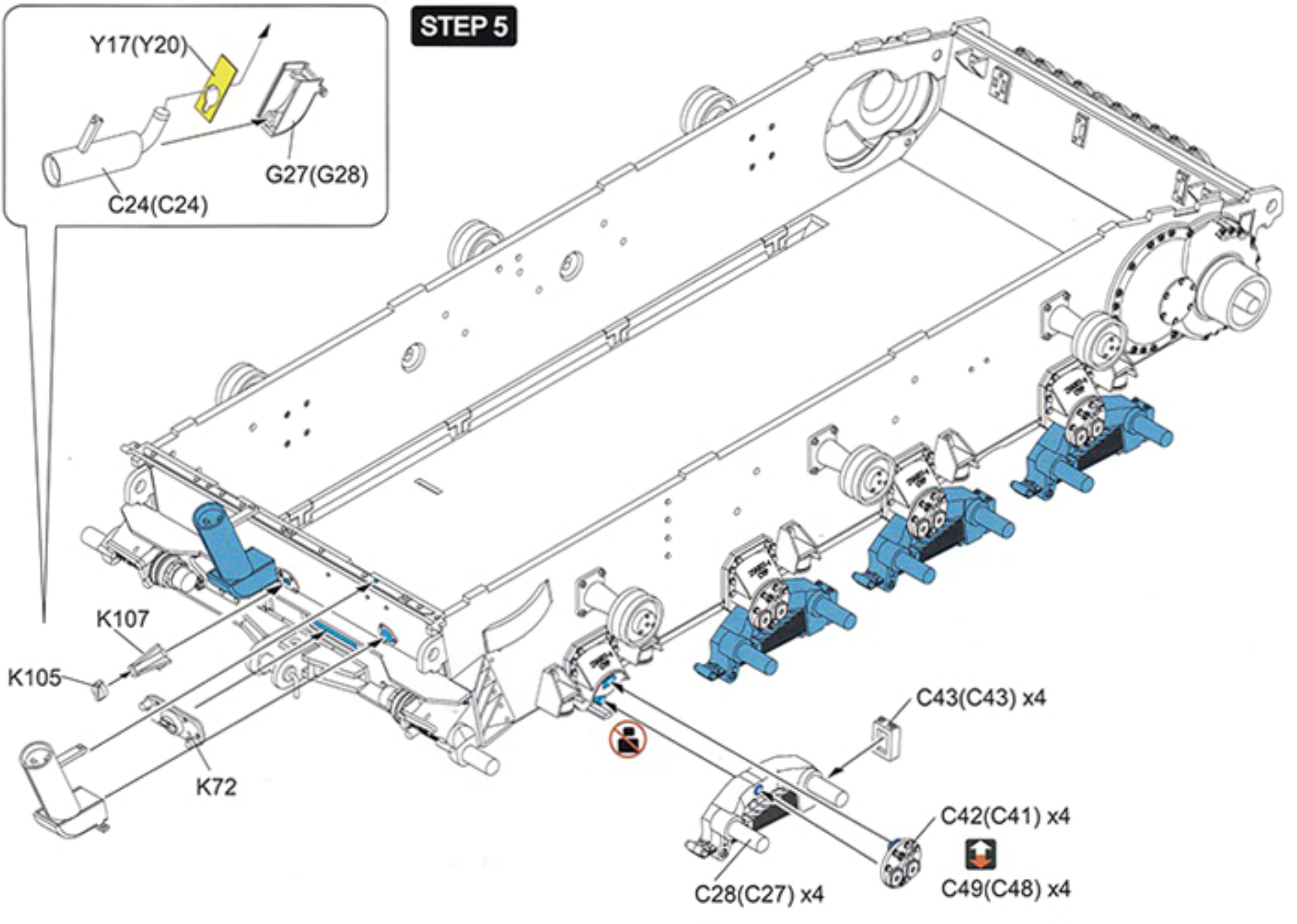


STEP 4

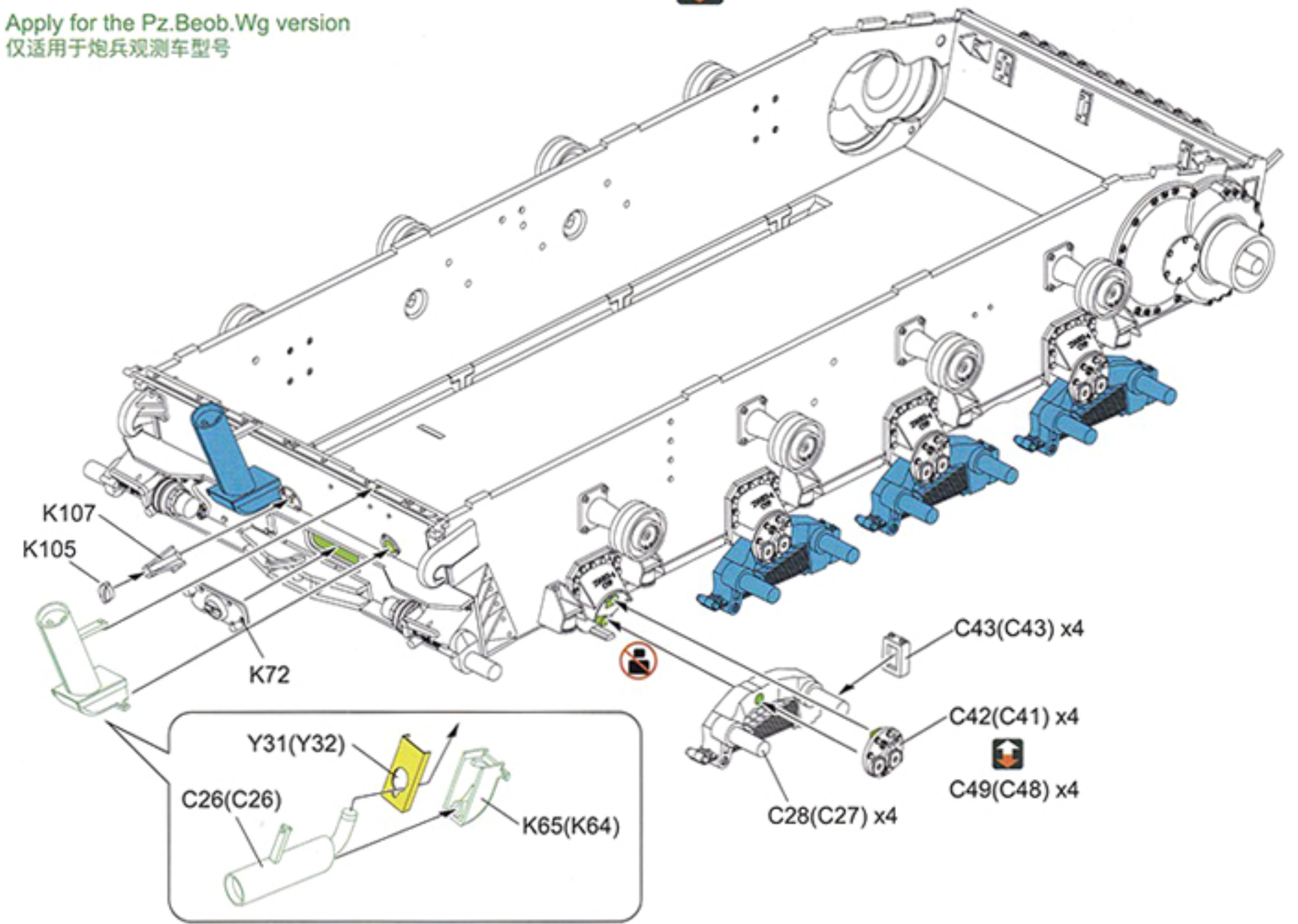
Apply for the Pz.Beob.Wg.version
 仅适用于炮兵观测车型号



STEP 5

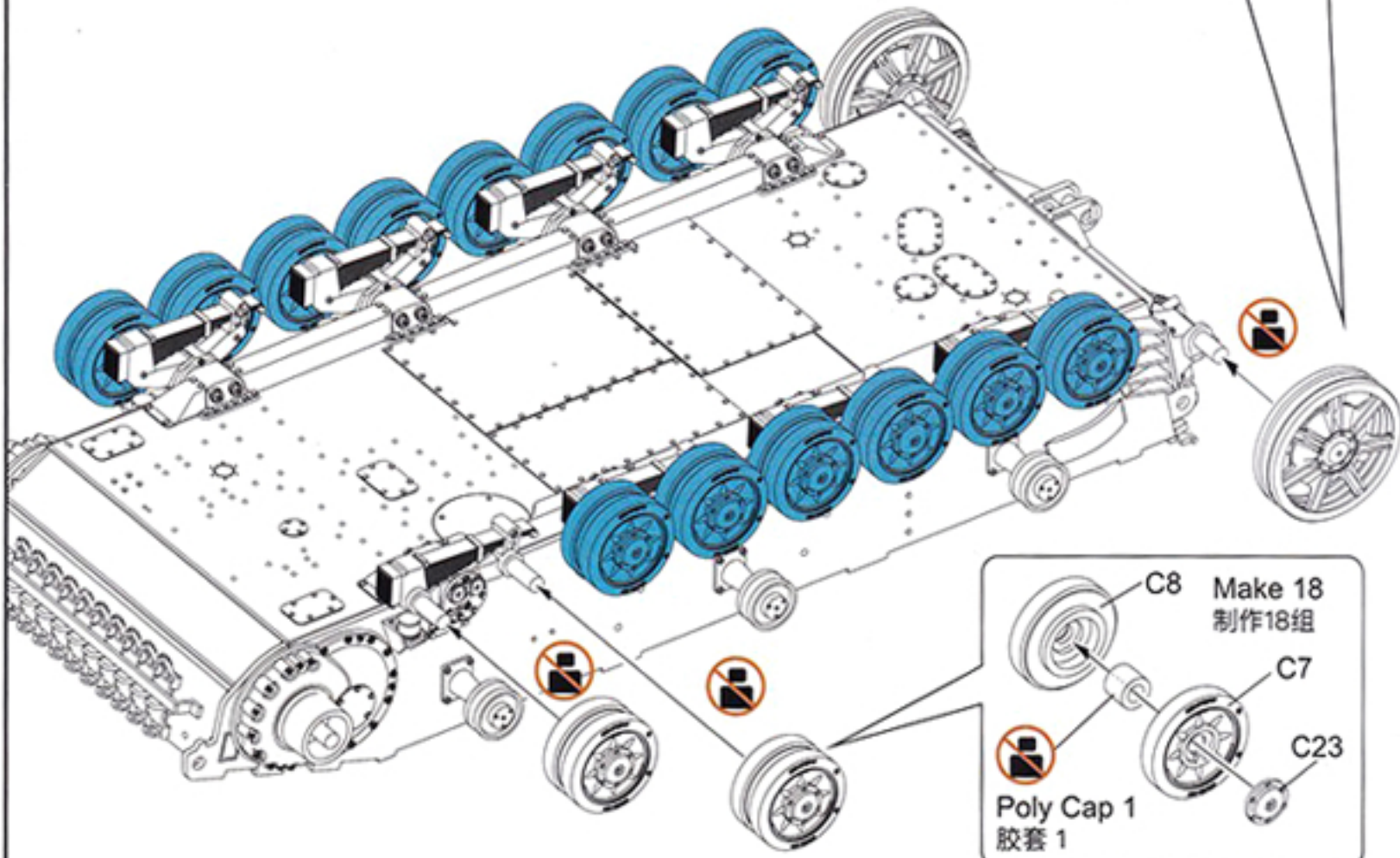
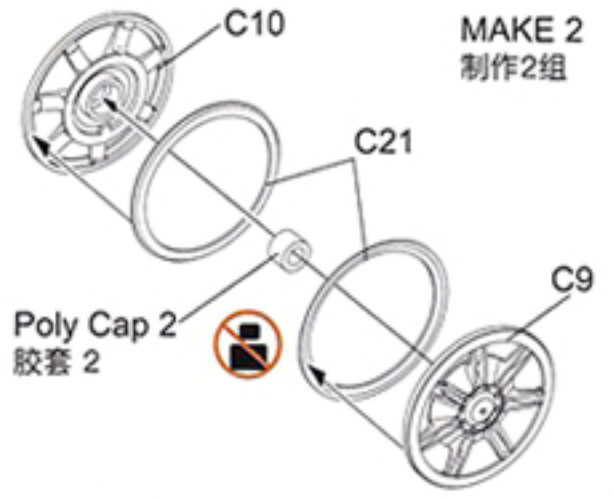
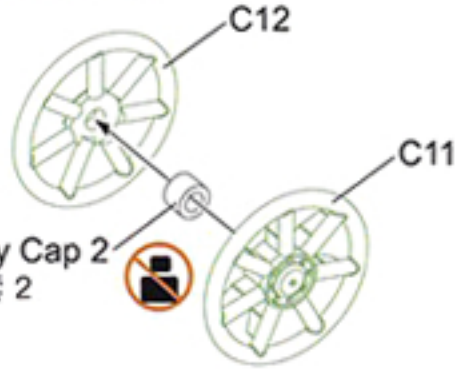


Apply for the Pz.Beob.Wg version
仅适用于炮兵观测车型号



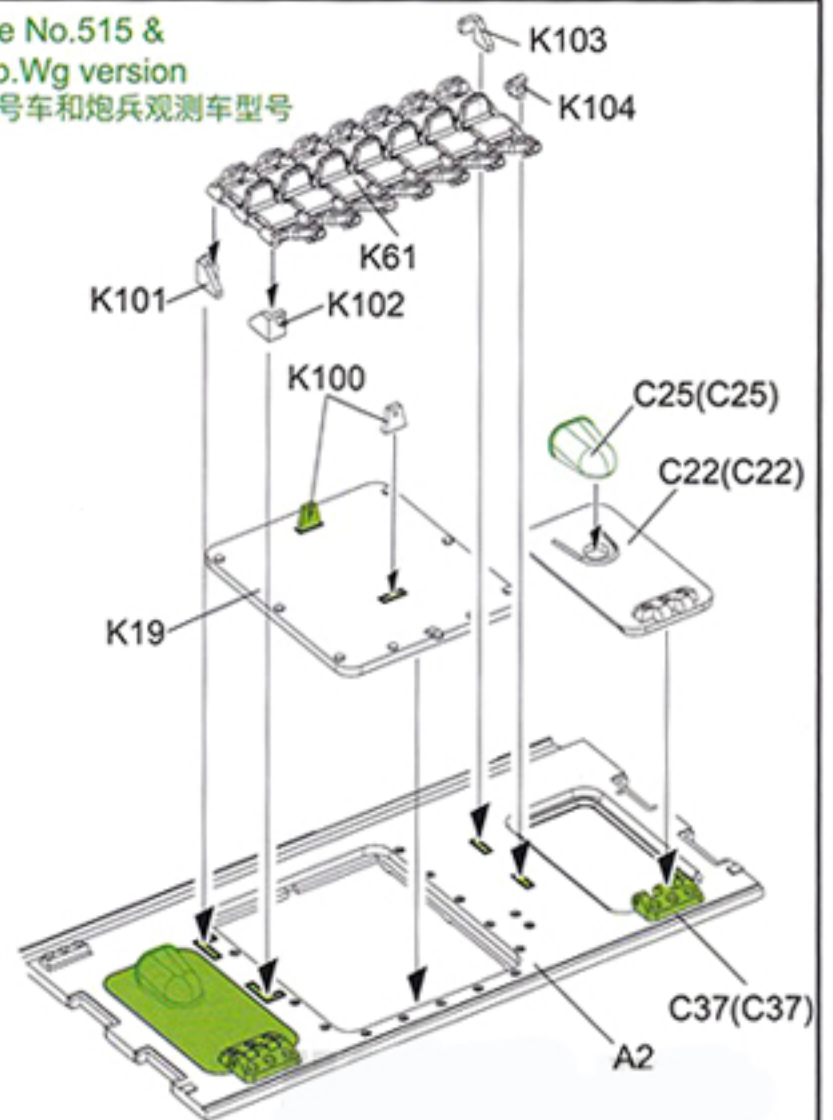
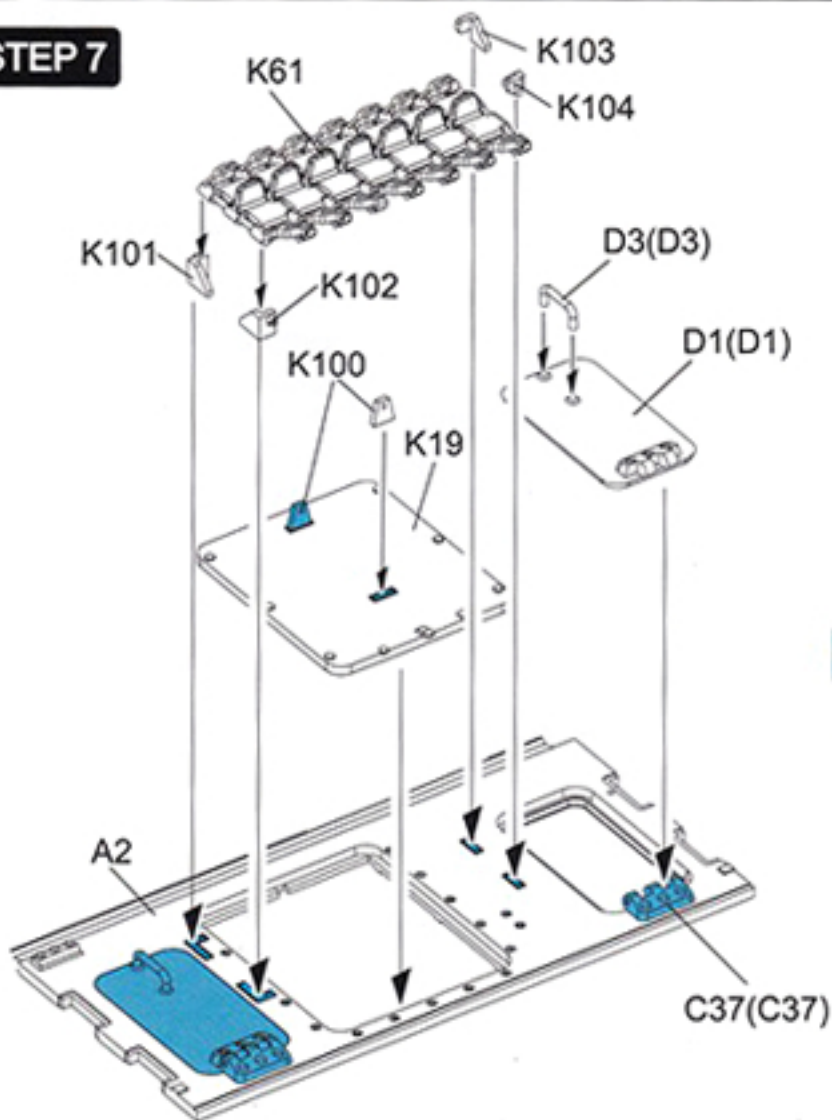
STEP 6

Apply for the Pz.Beob.Wg version
仅适用于炮兵观测车型号

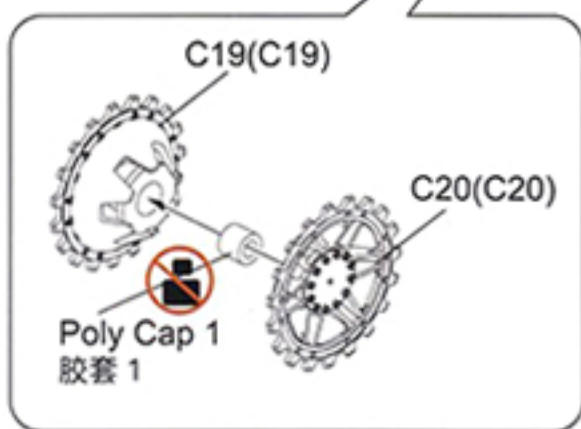
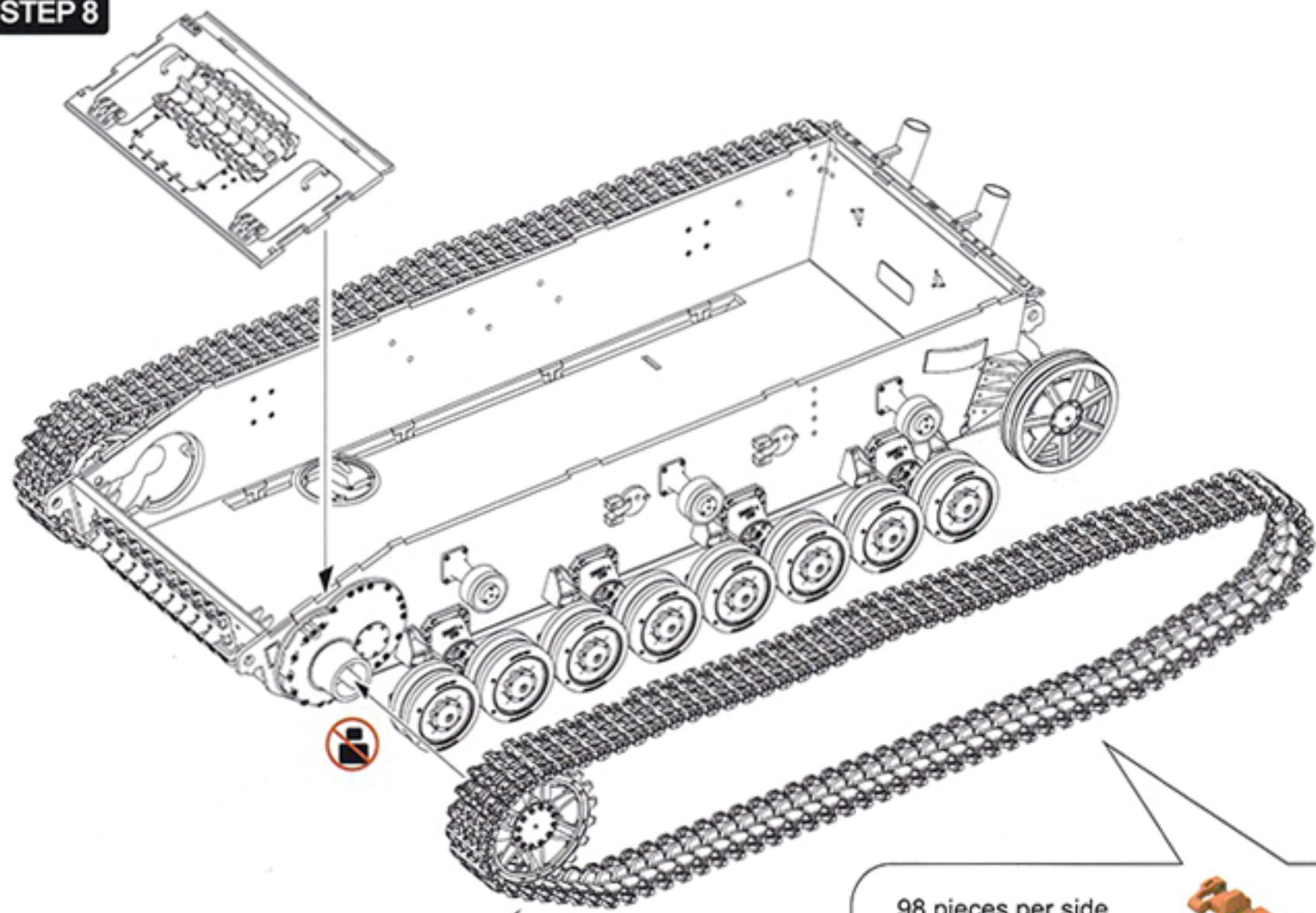


STEP 7

Apply for the No.515 & the Pz.Beob.Wg version
仅适用于515号车和炮兵观测车型号



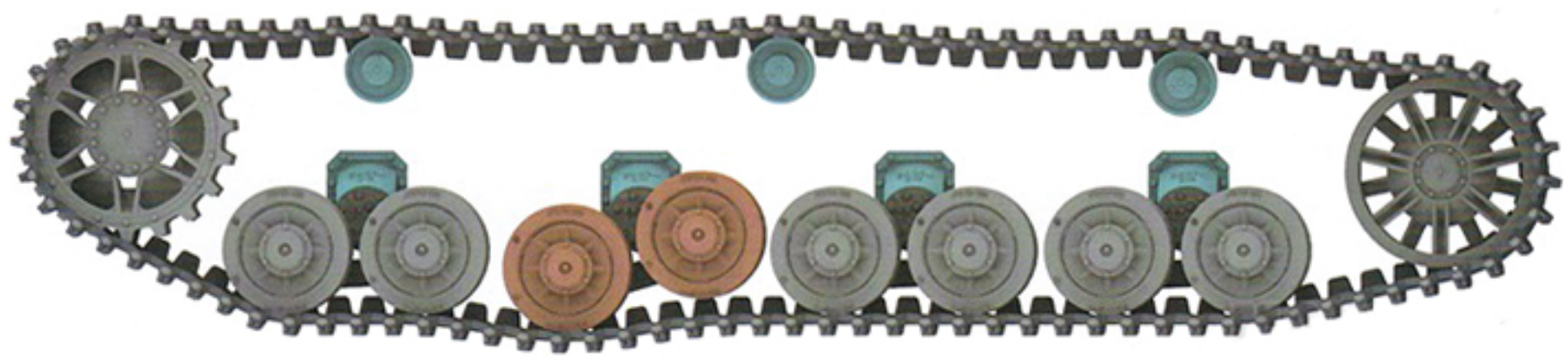
STEP 8



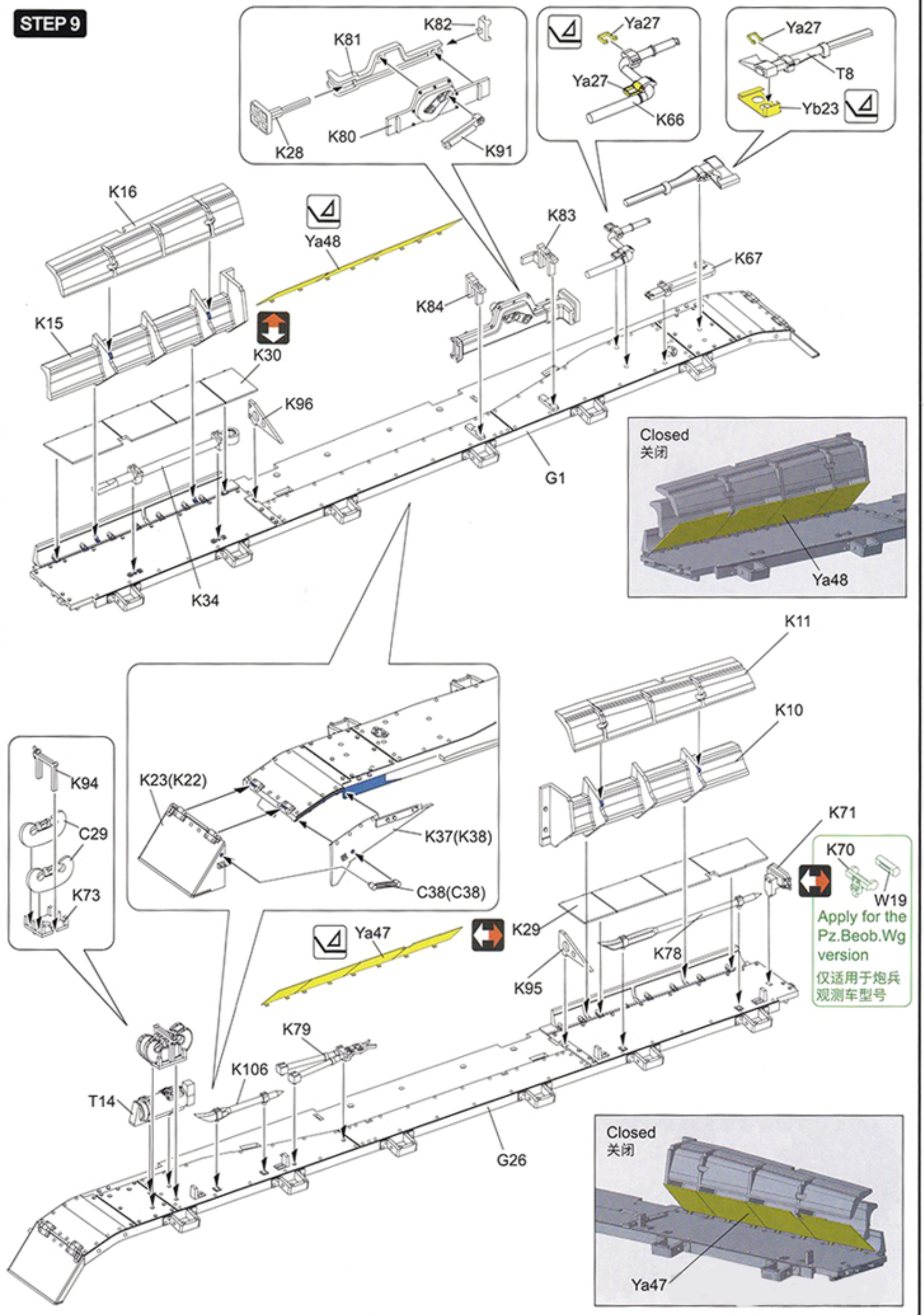
98 pieces per side
每侧98节

MAKE 2
制作2组

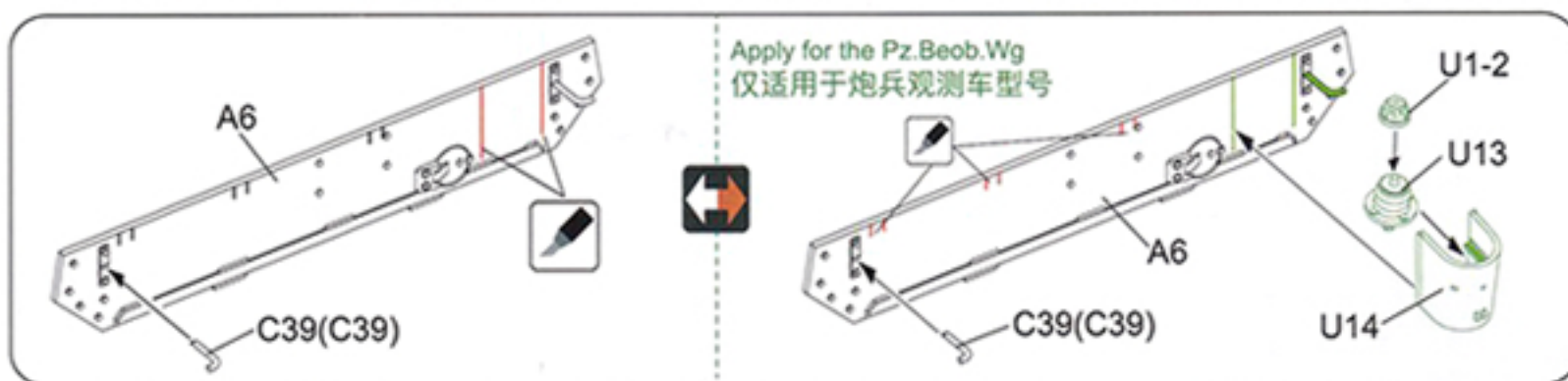
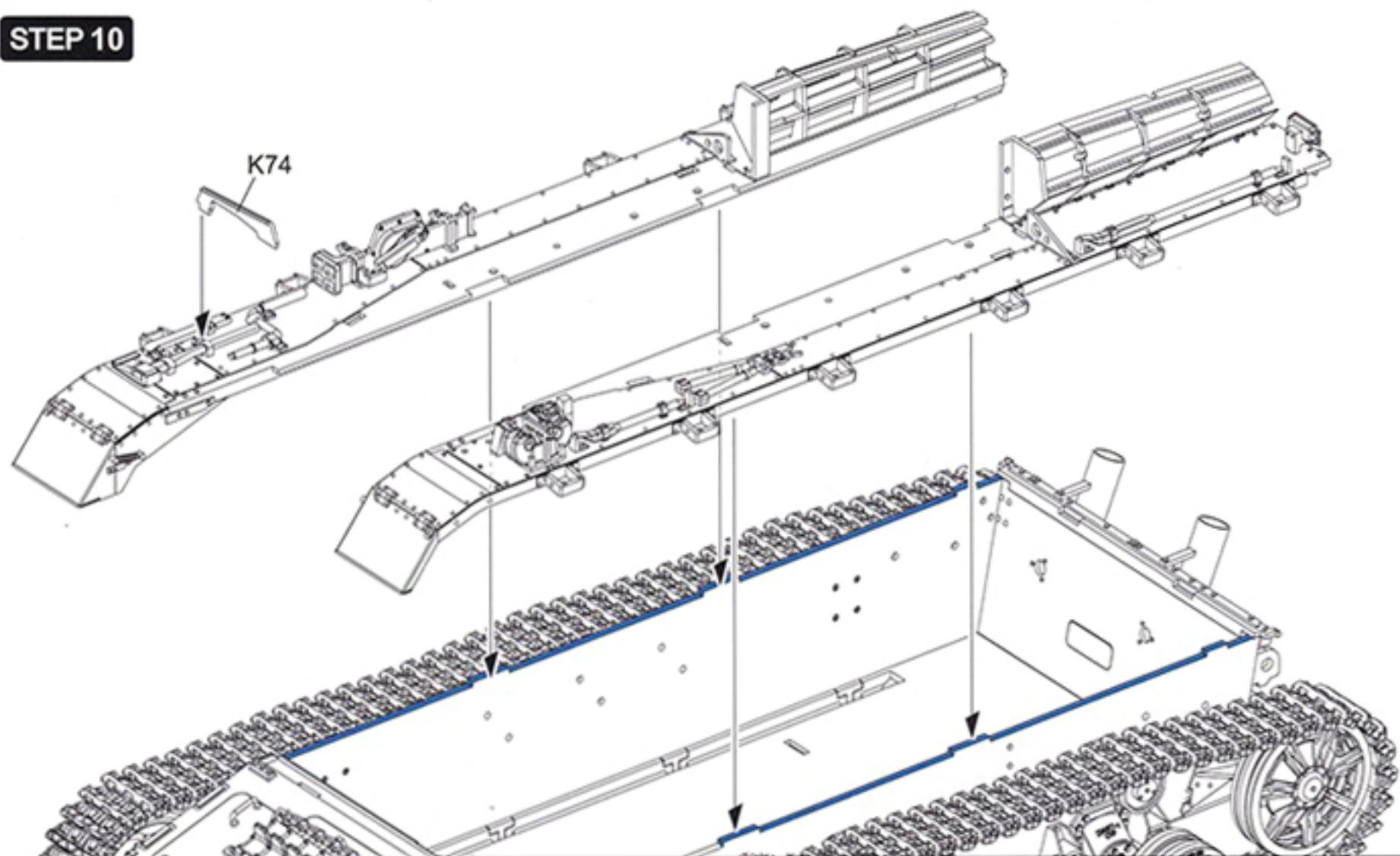
Use the cement only on the red parts to ensure that the track can workable.
仅在红色部分上使用胶水以确保履带的活动性。



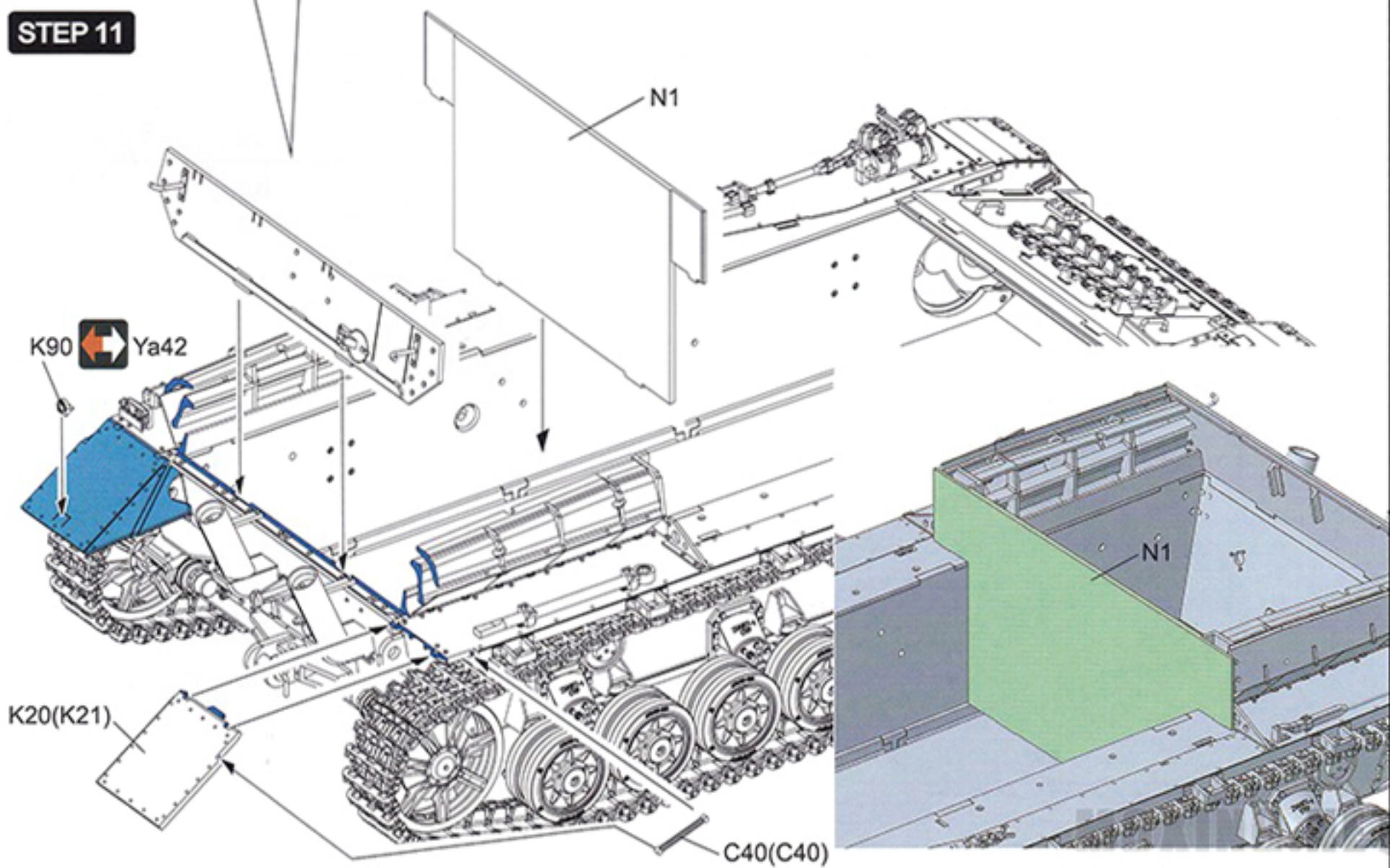
STEP 9

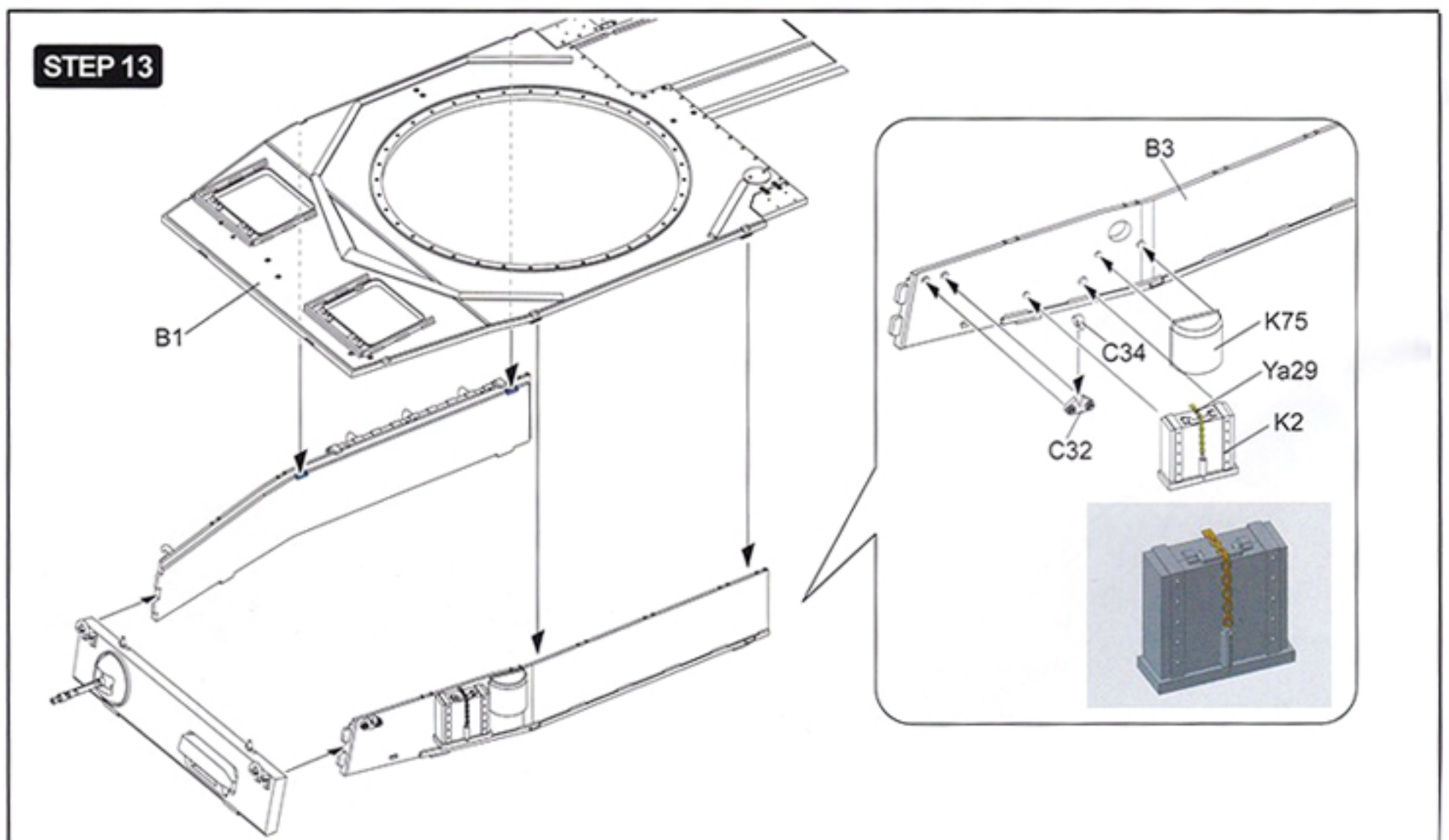
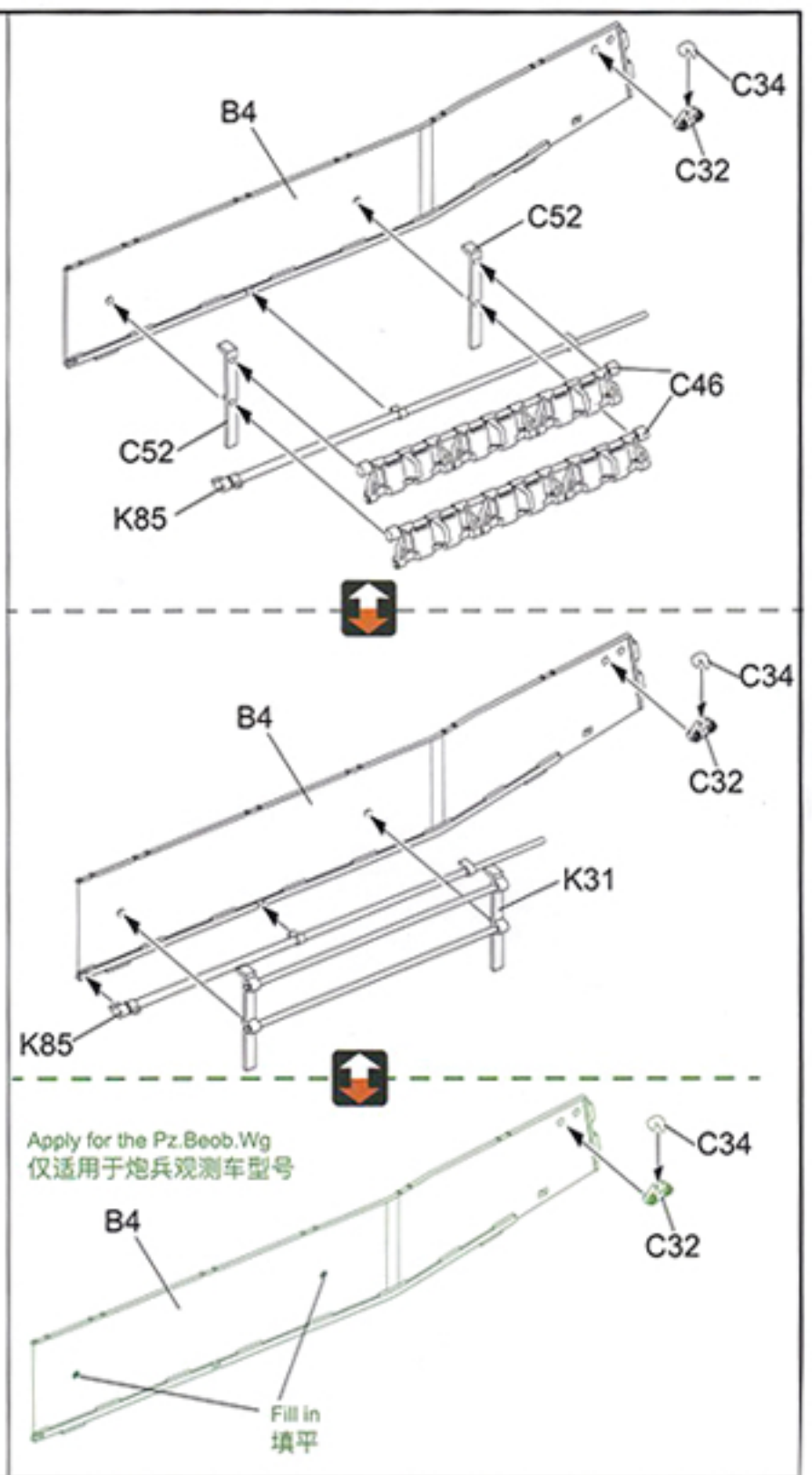
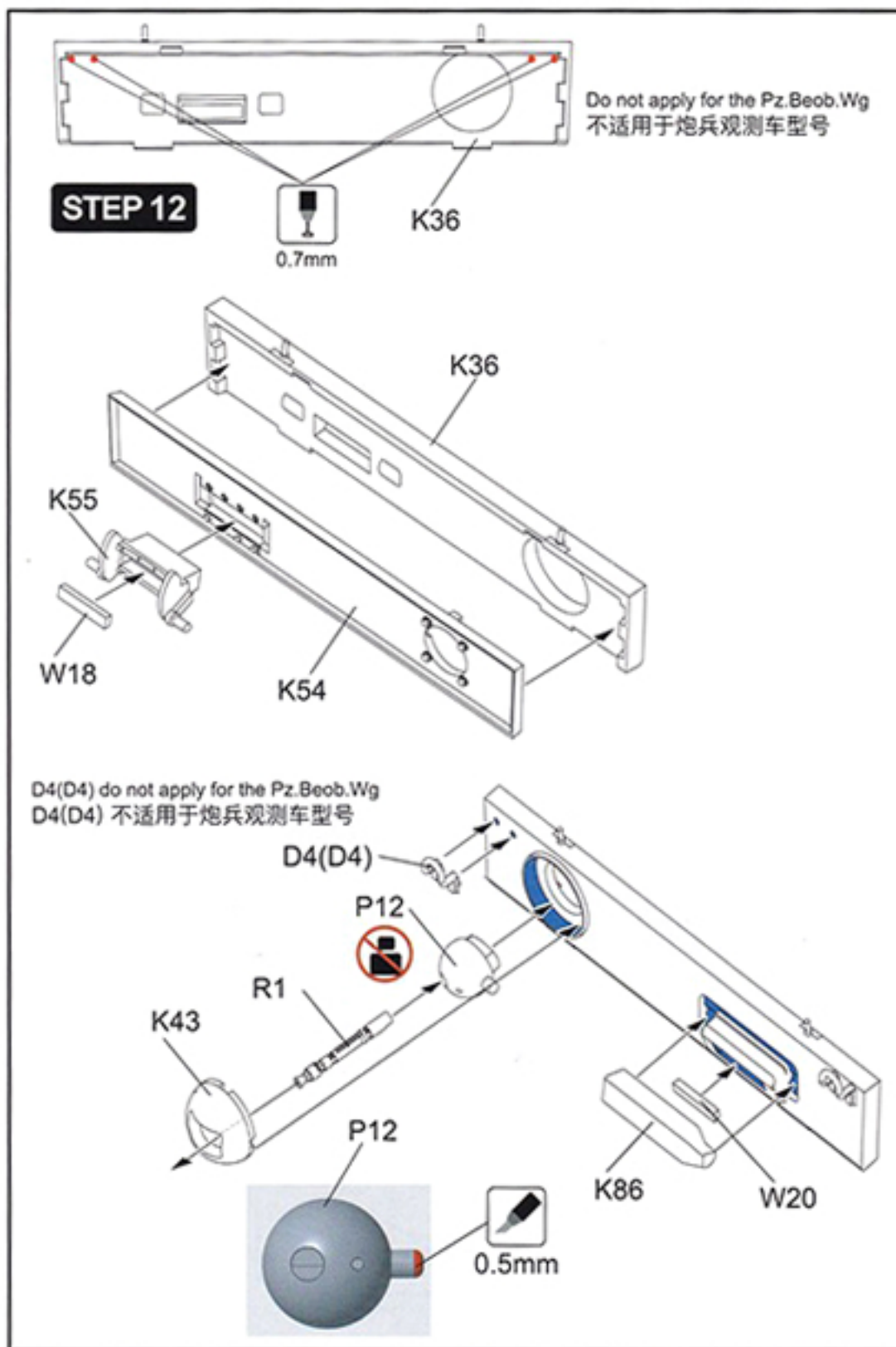


STEP 10



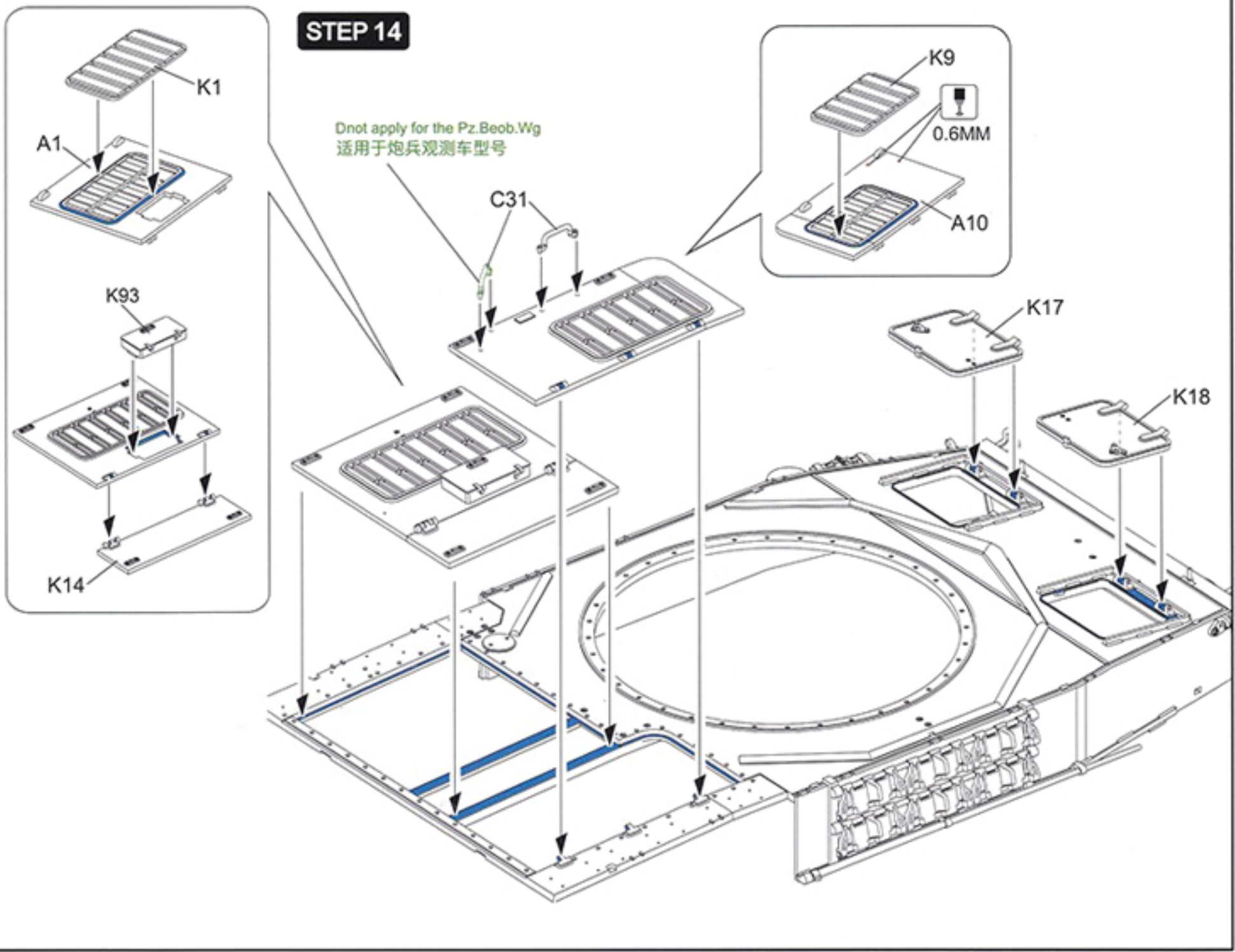
STEP 11



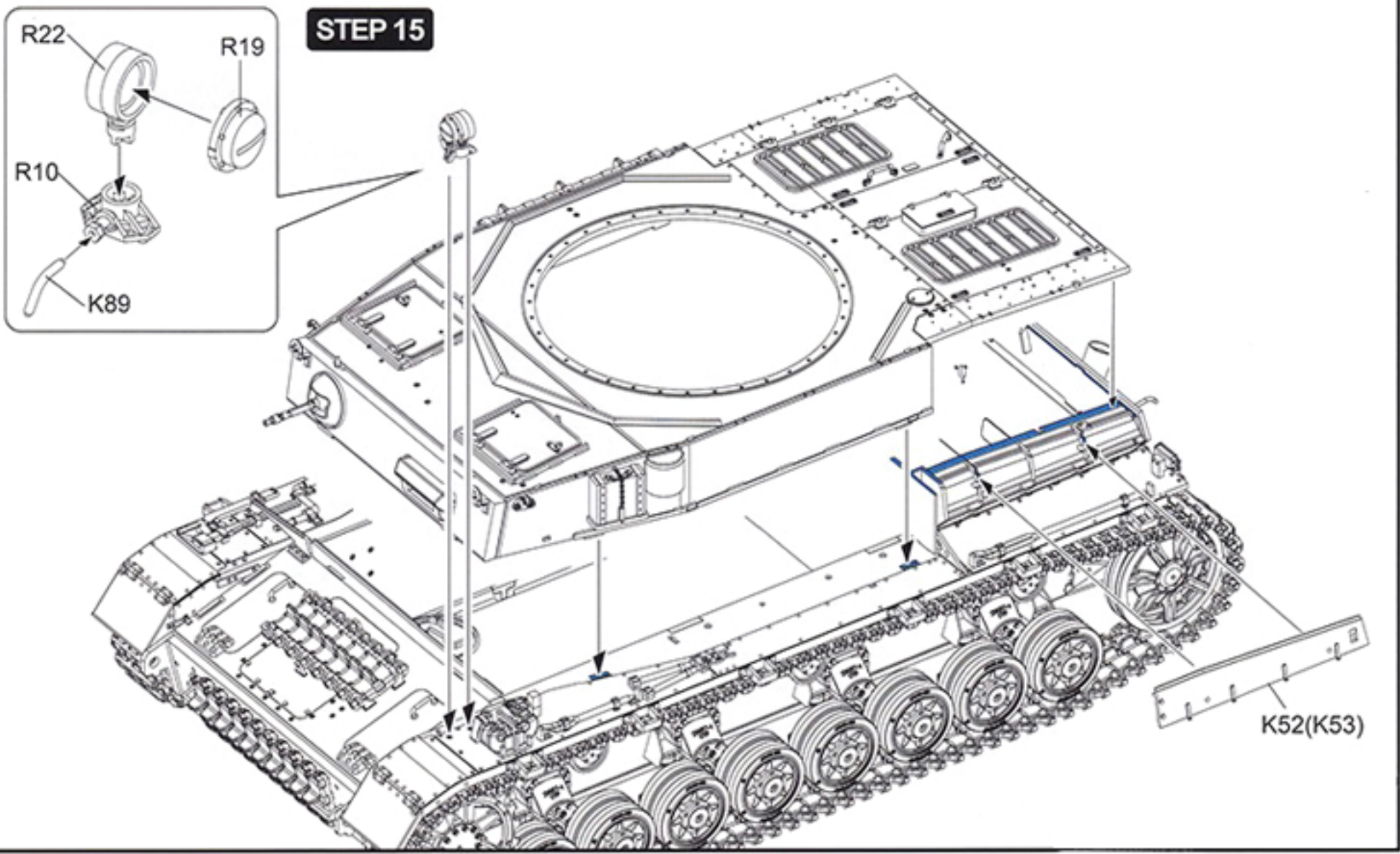


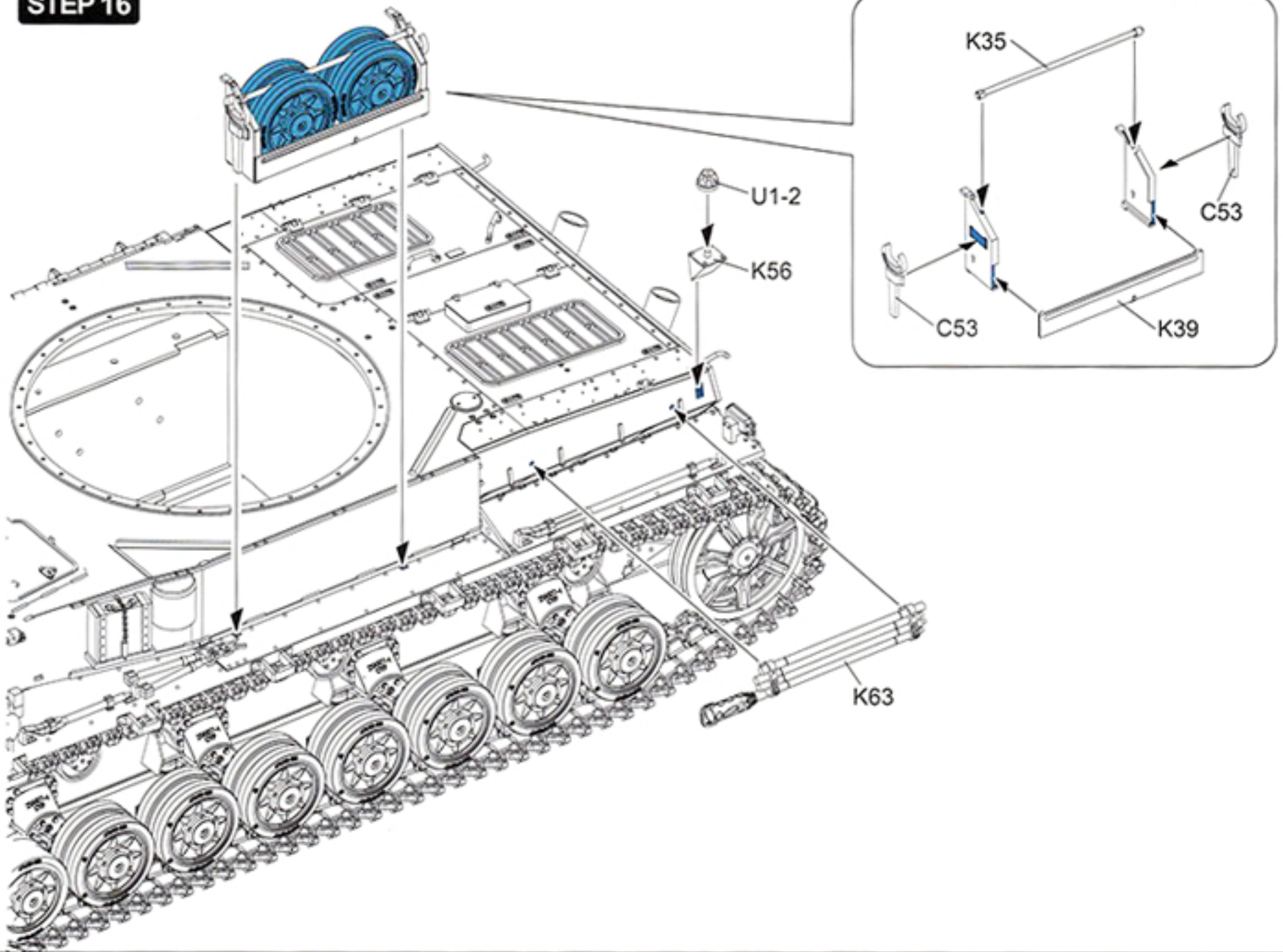
STEP 14

Do not apply for the Pz.Beob.Wg
适用于炮兵观测车型号

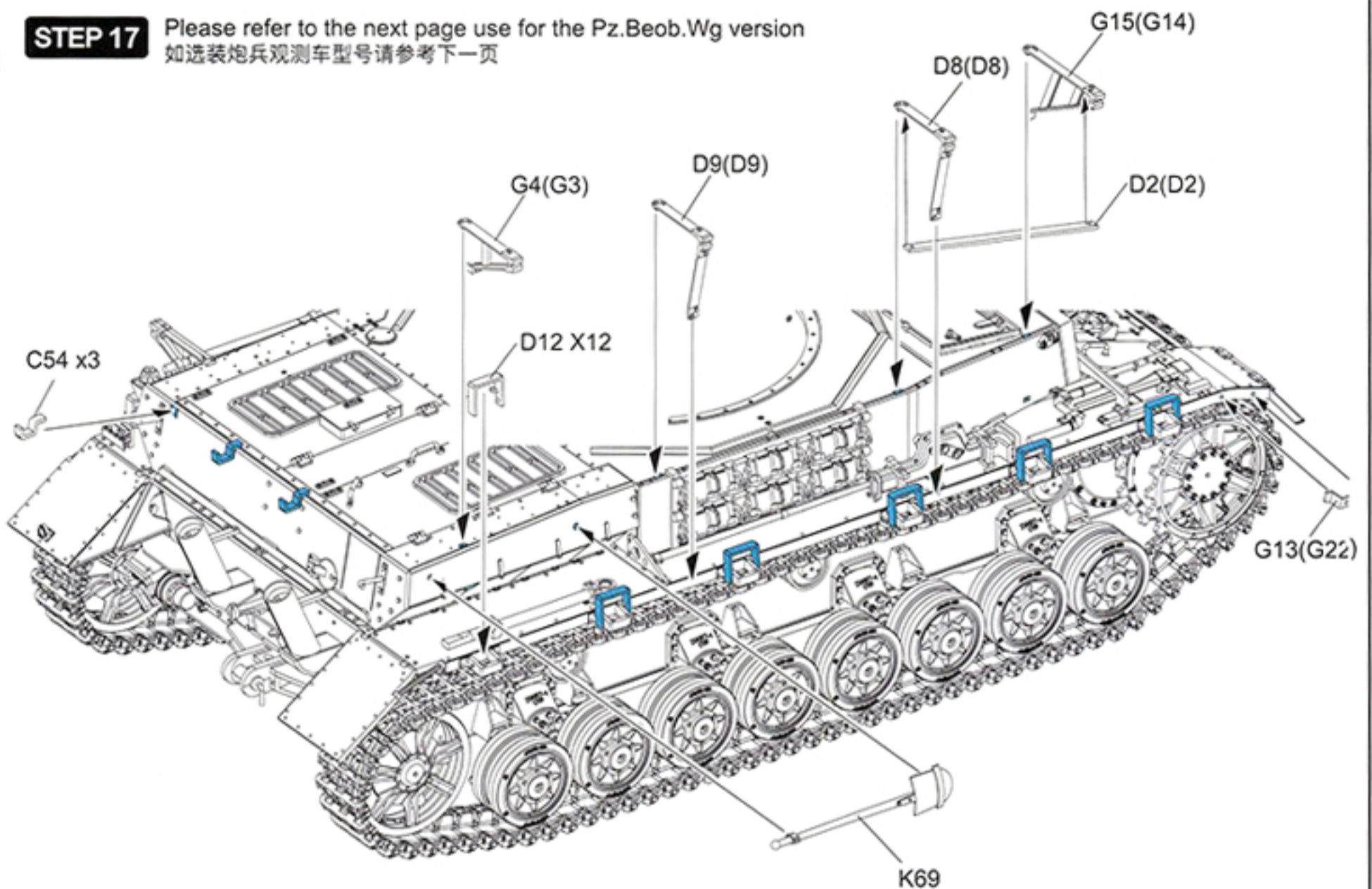


STEP 15

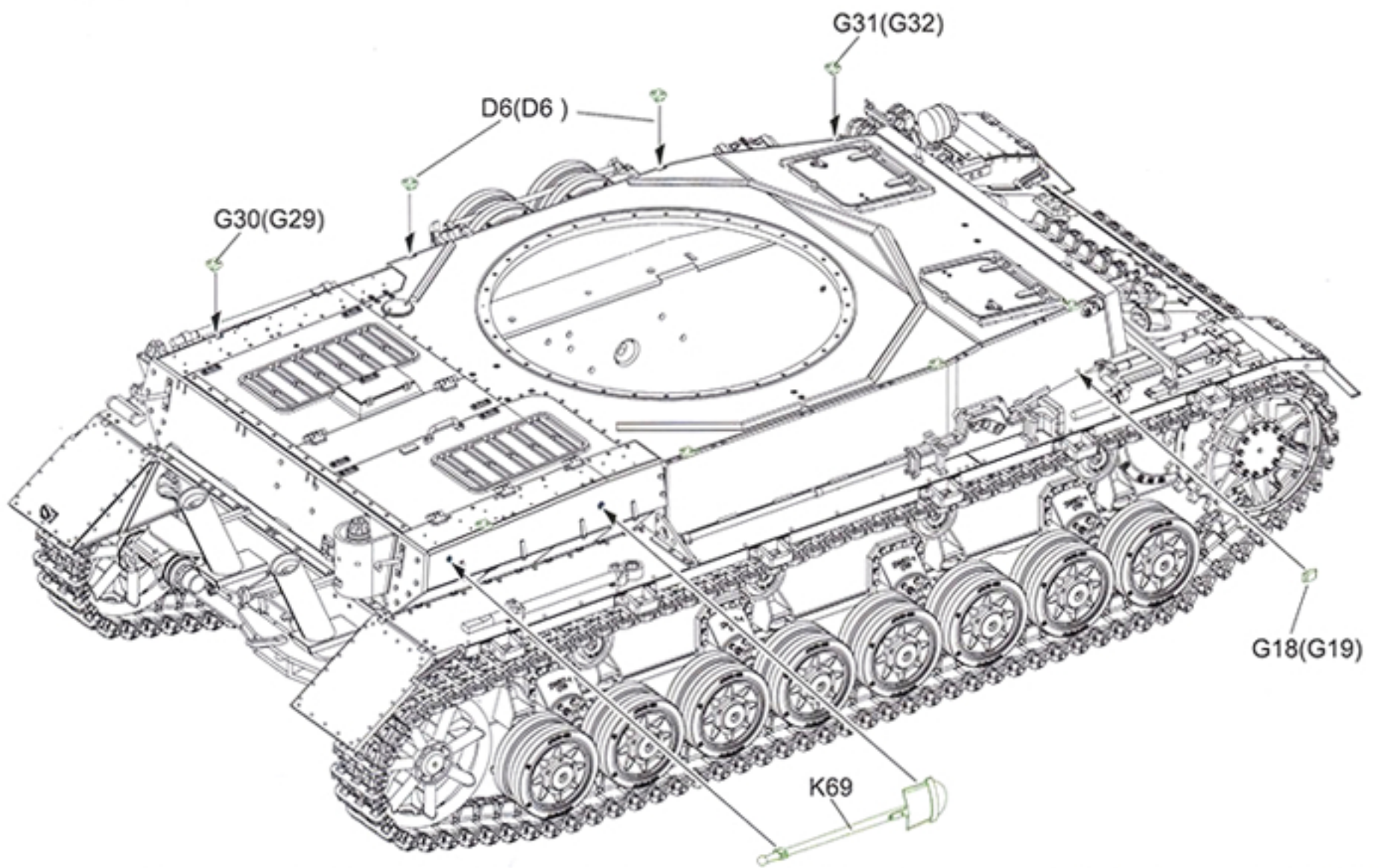


STEP 16**STEP 17**

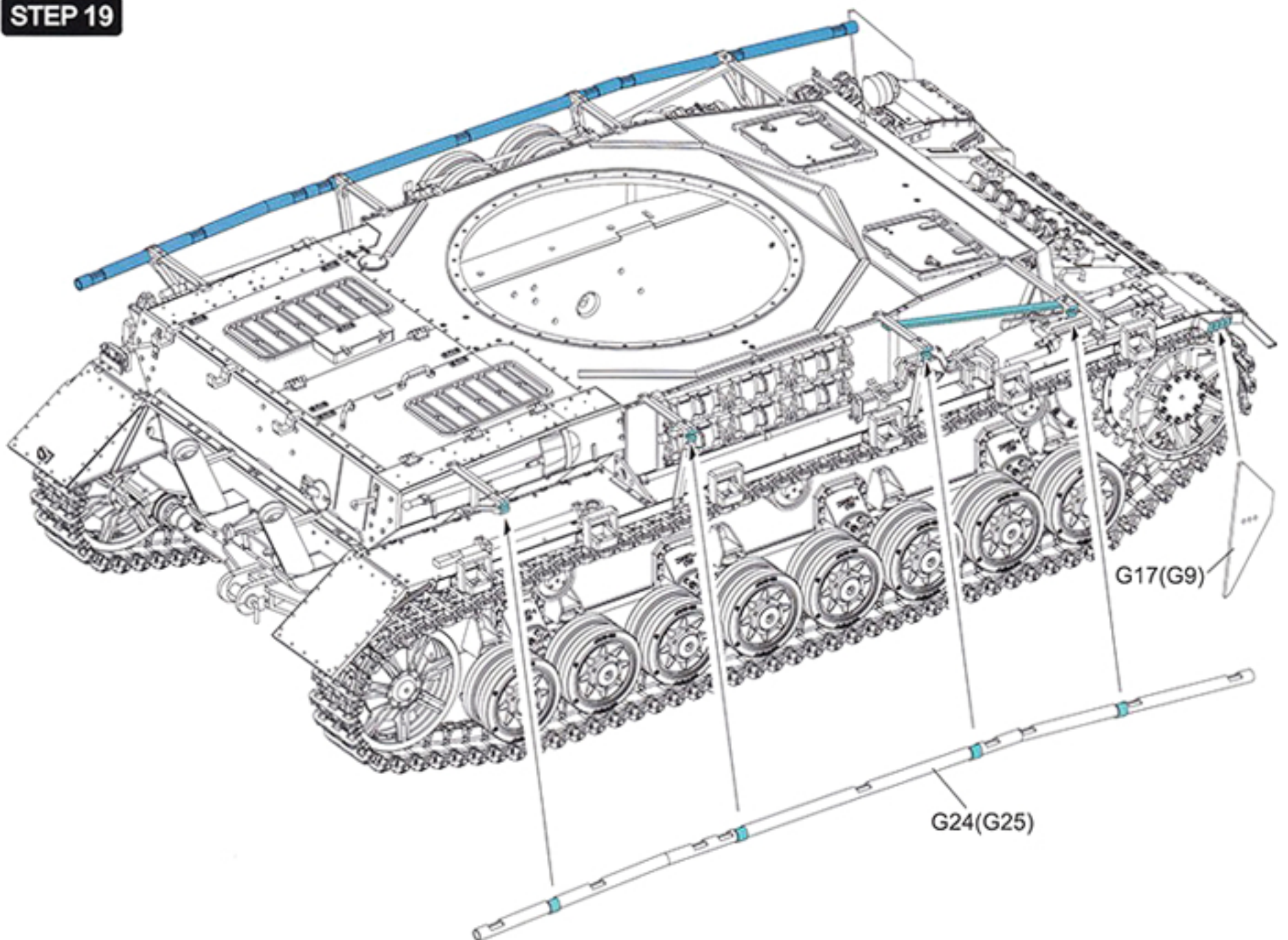
Please refer to the next page use for the Pz.Beob.Wg version
如选装炮兵观测车型号请参考下一页



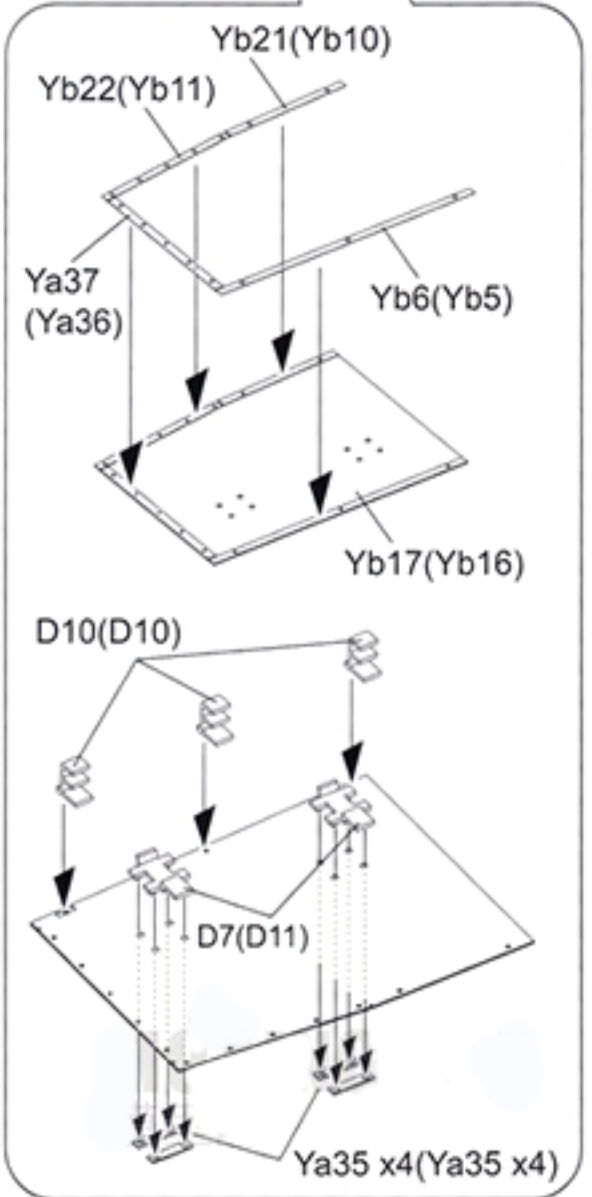
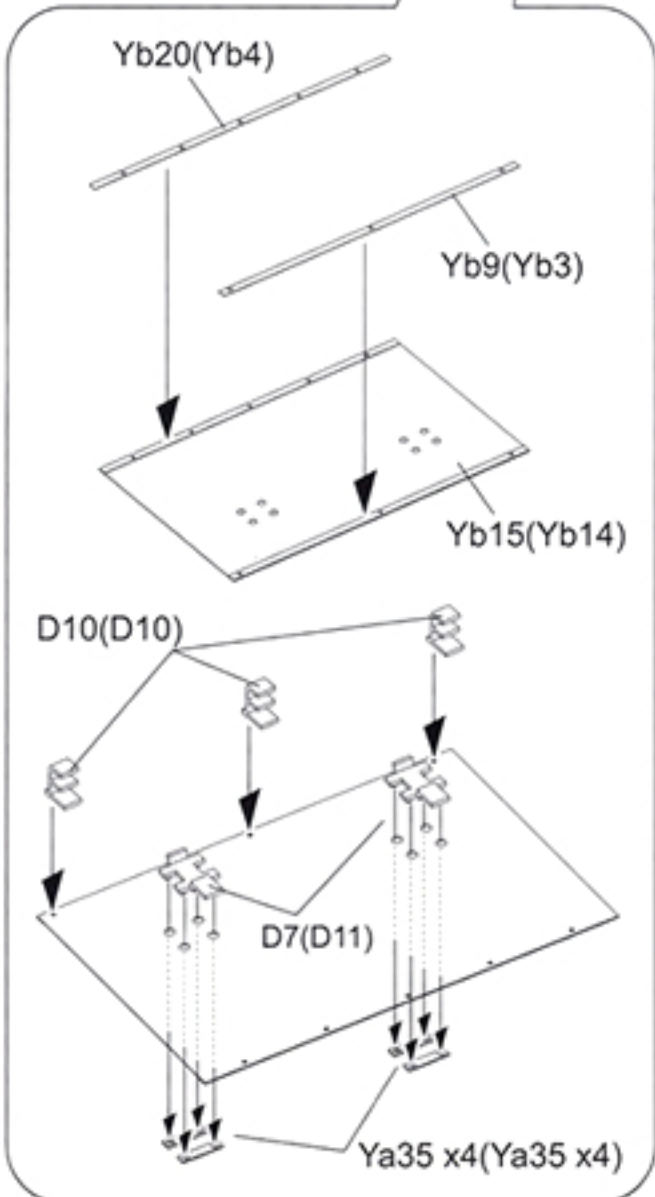
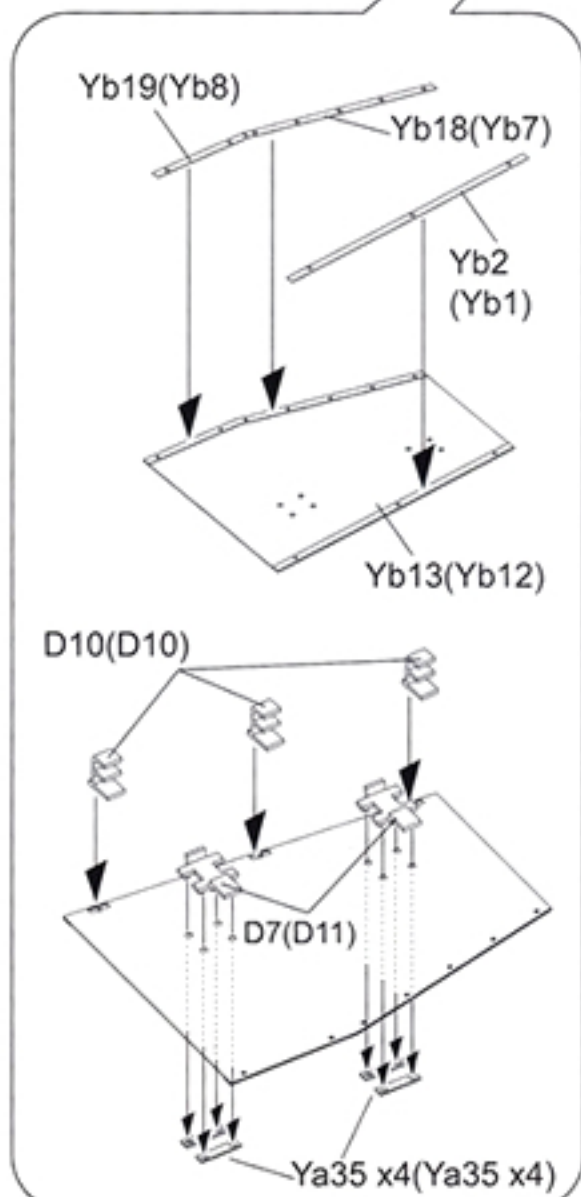
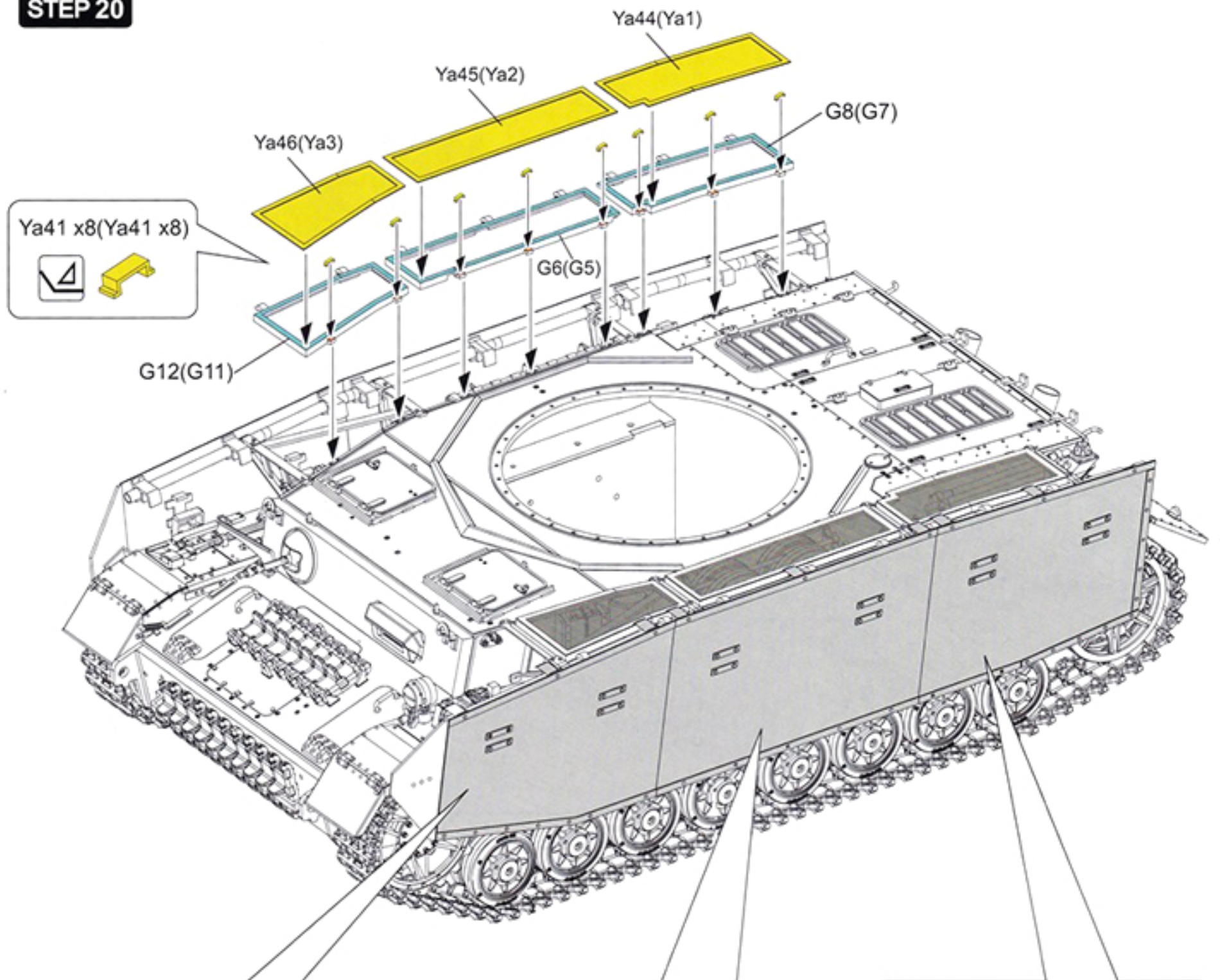
Apply for the Pz.Beob.Wg version
仅适用于炮兵观测车型号



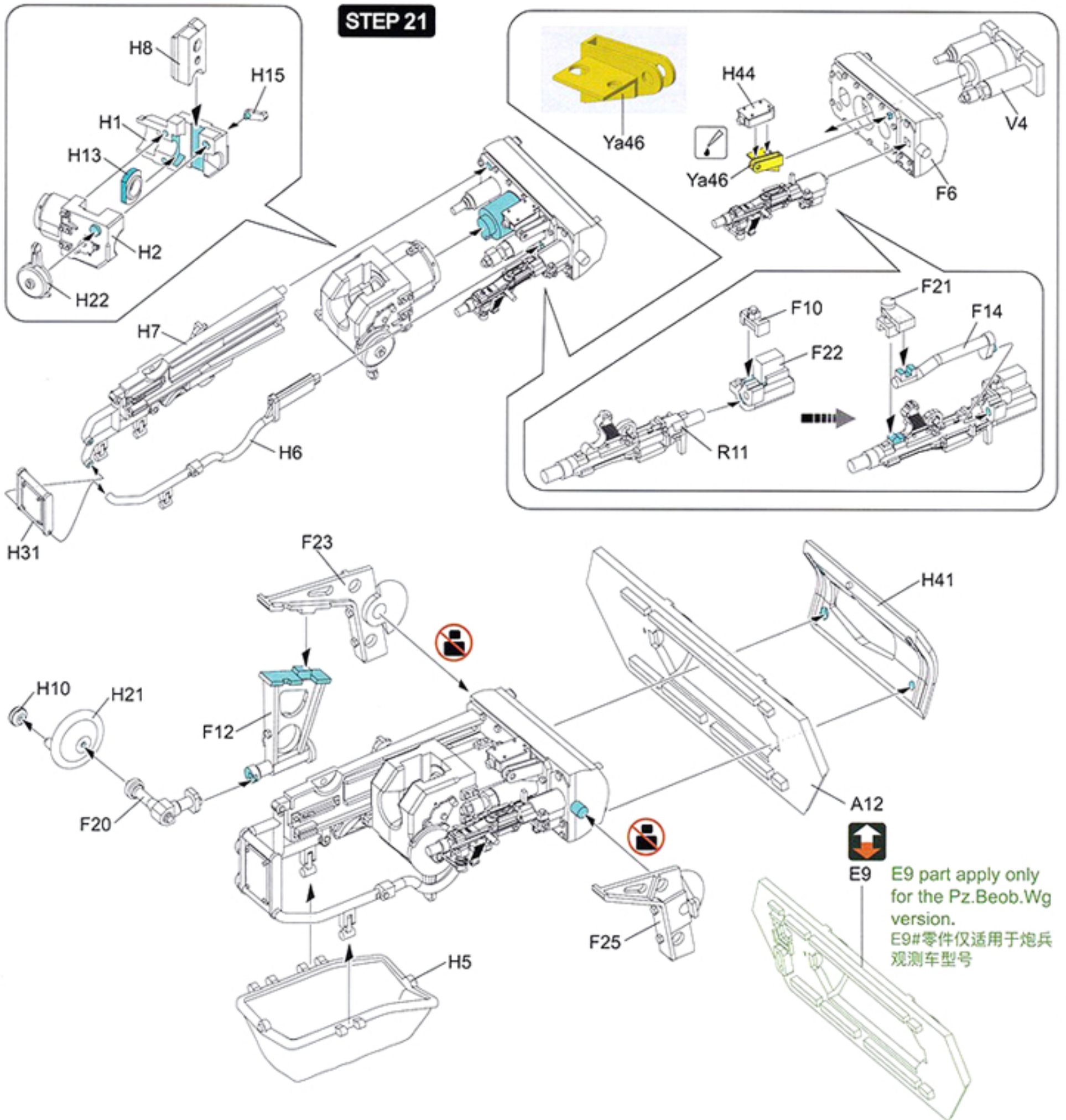
STEP 19



STEP 20

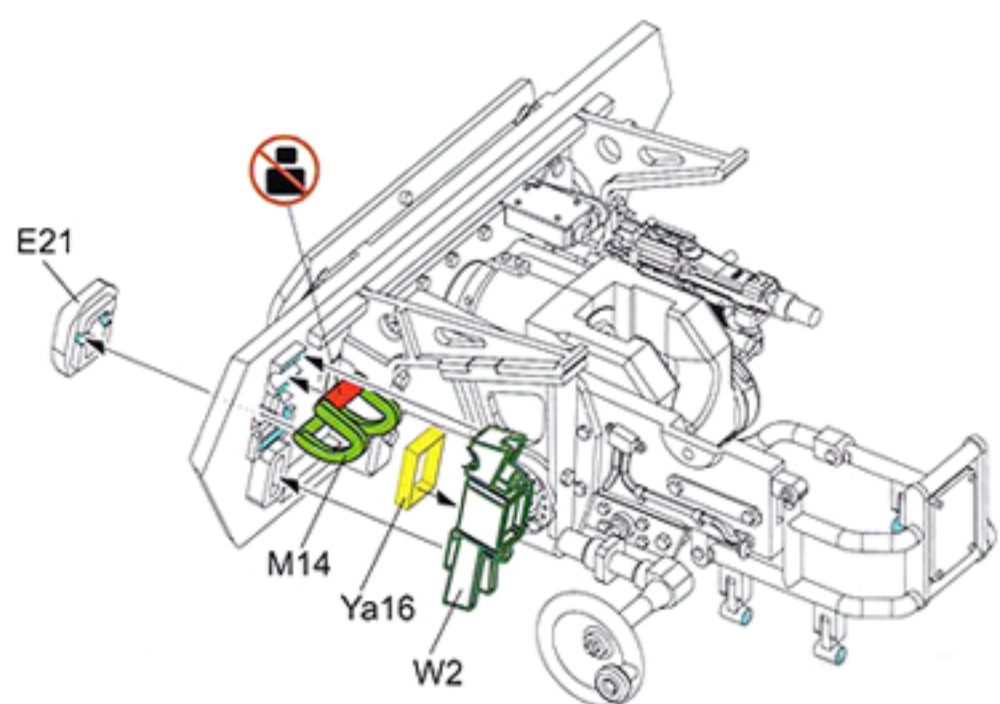
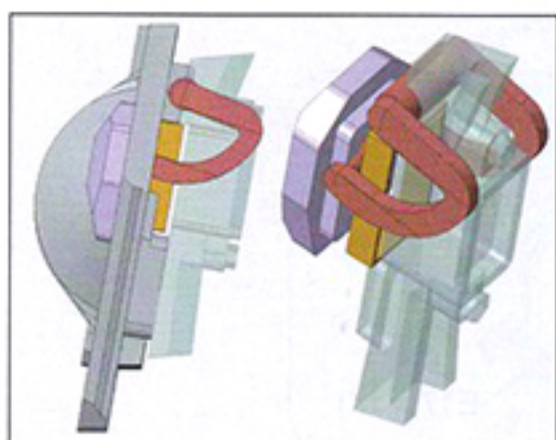


STEP 21

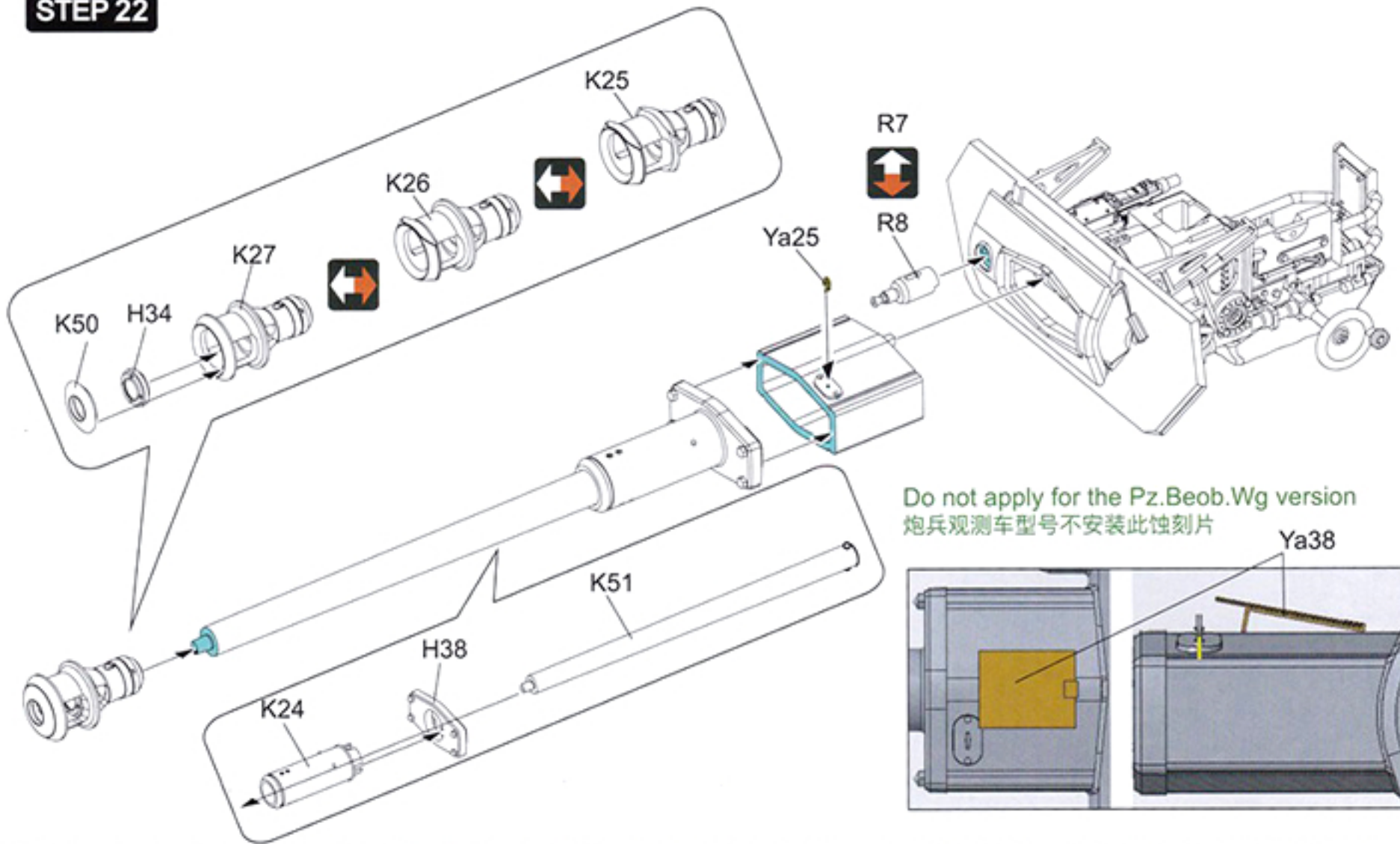


E9 E9 part apply only for the Pz.Beob.Wg version.
E9#零件仅适用于炮兵观测车型号

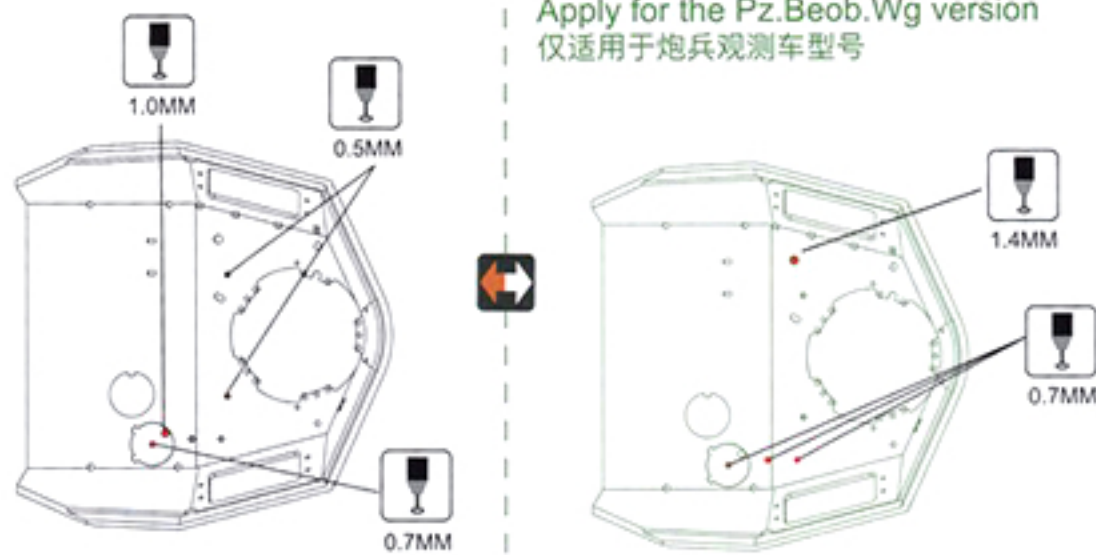
Apply for the Pz.Beob.Wg version
仅适用于炮兵观测车型号



STEP 22

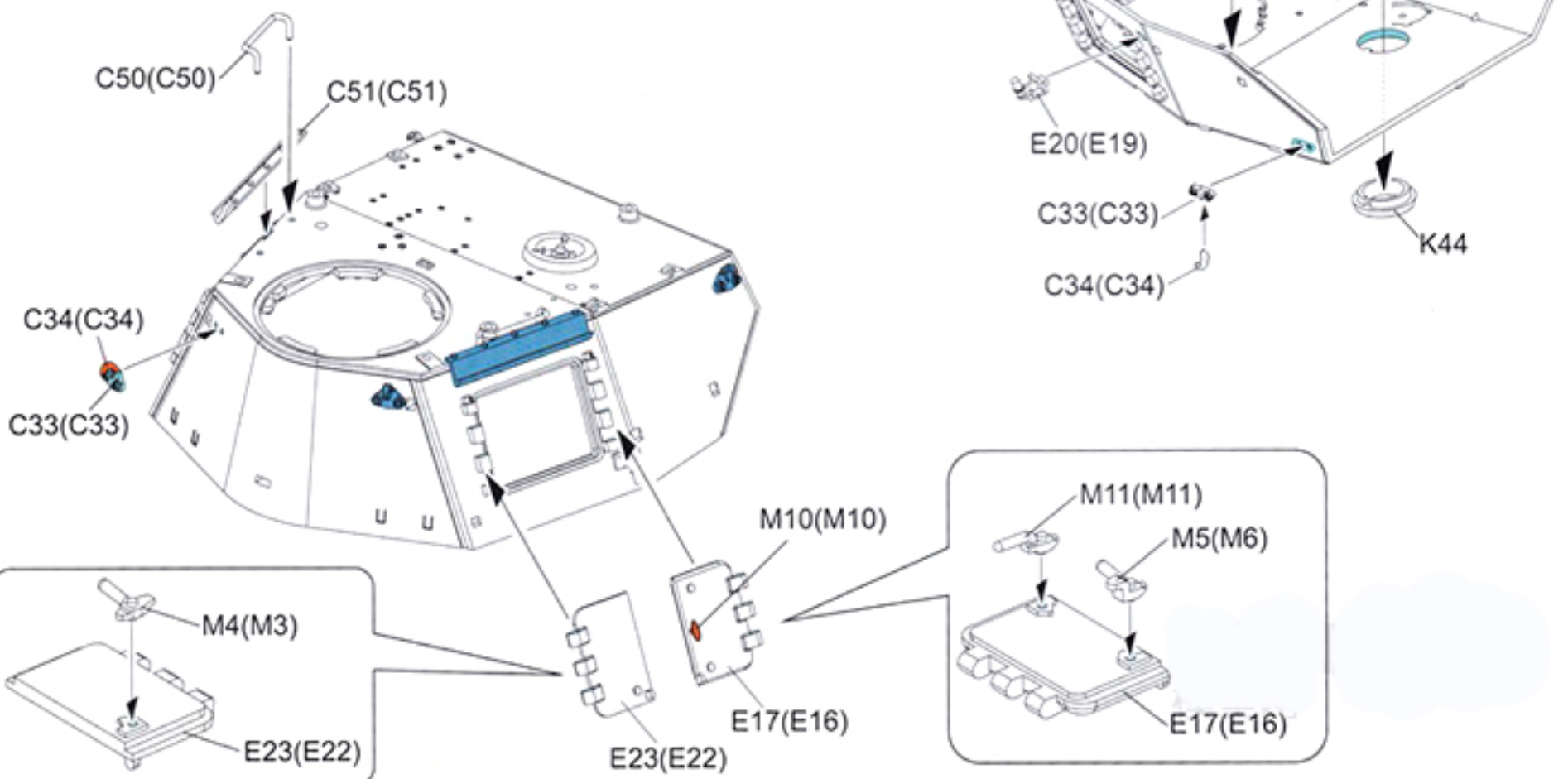


Apply for the Pz.Beob.Wg version
仅适用于炮兵观测车型号

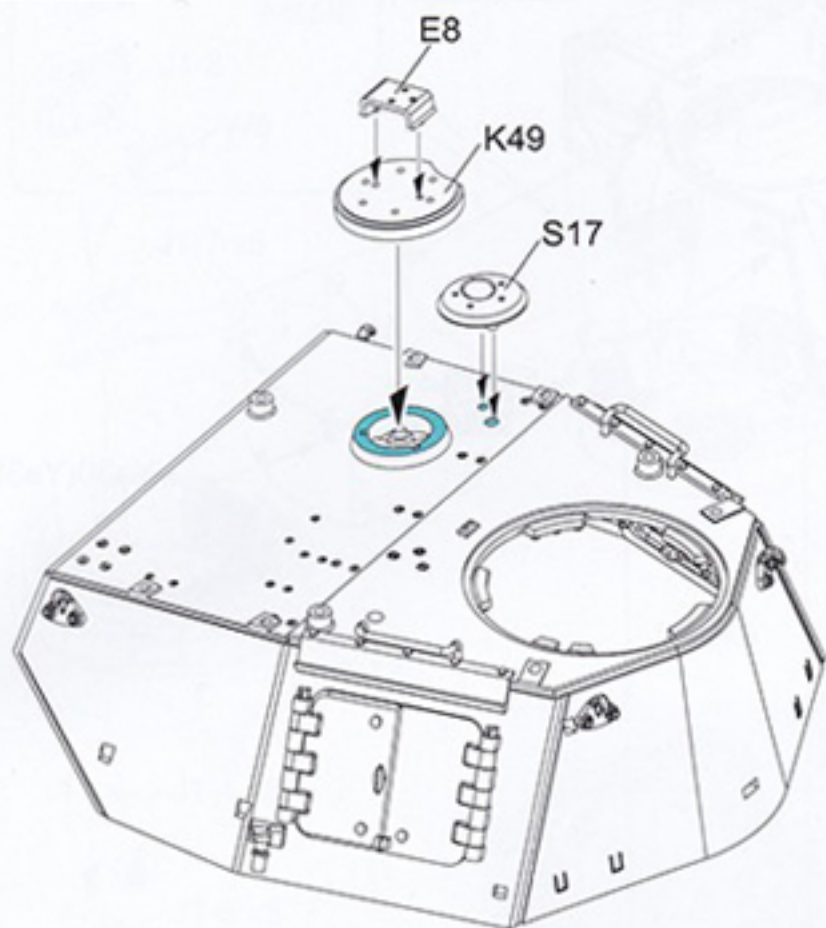


STEP 23

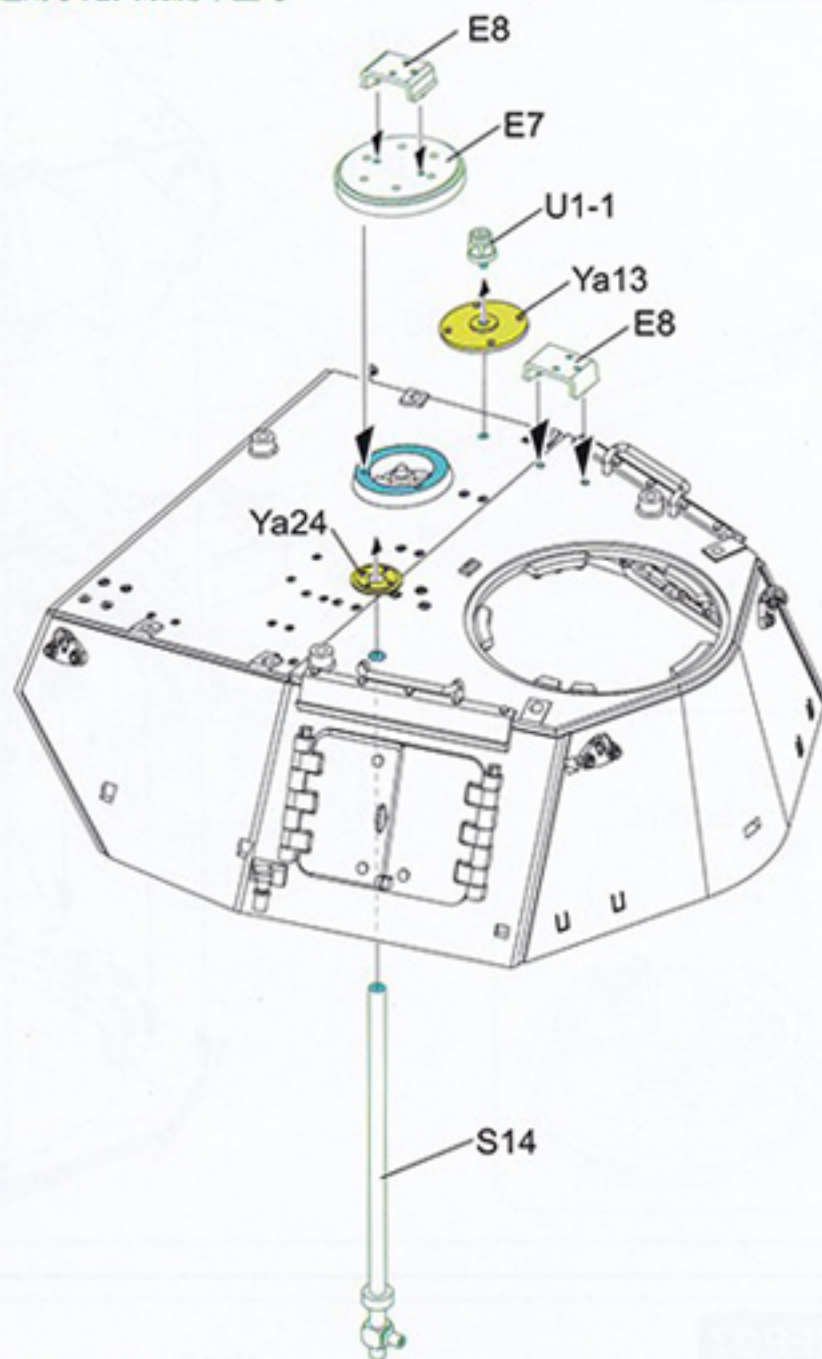
S18 part apply for
the Pz.Beob.Wg version
S18#零件仅适用于
炮兵观测车型号



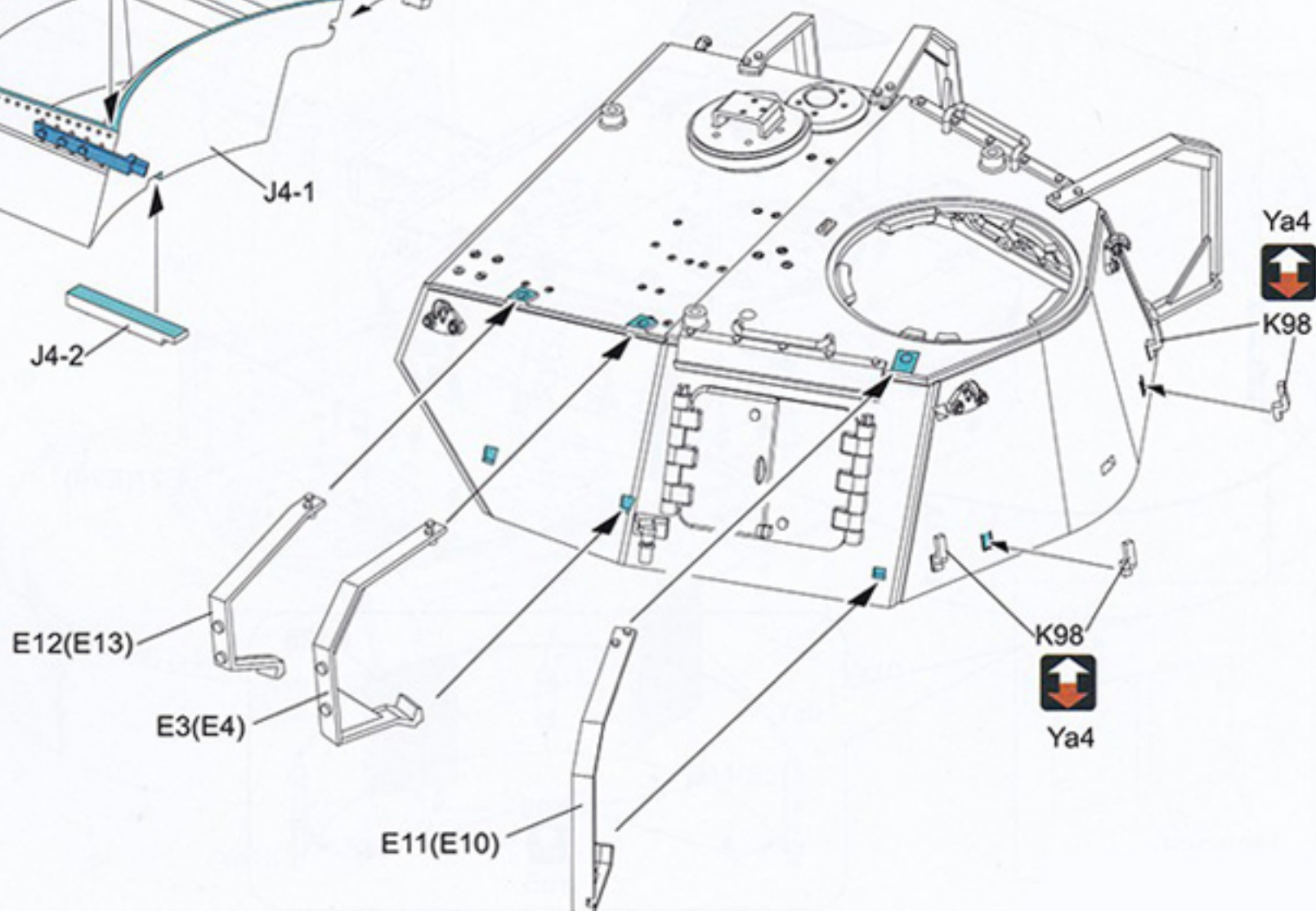
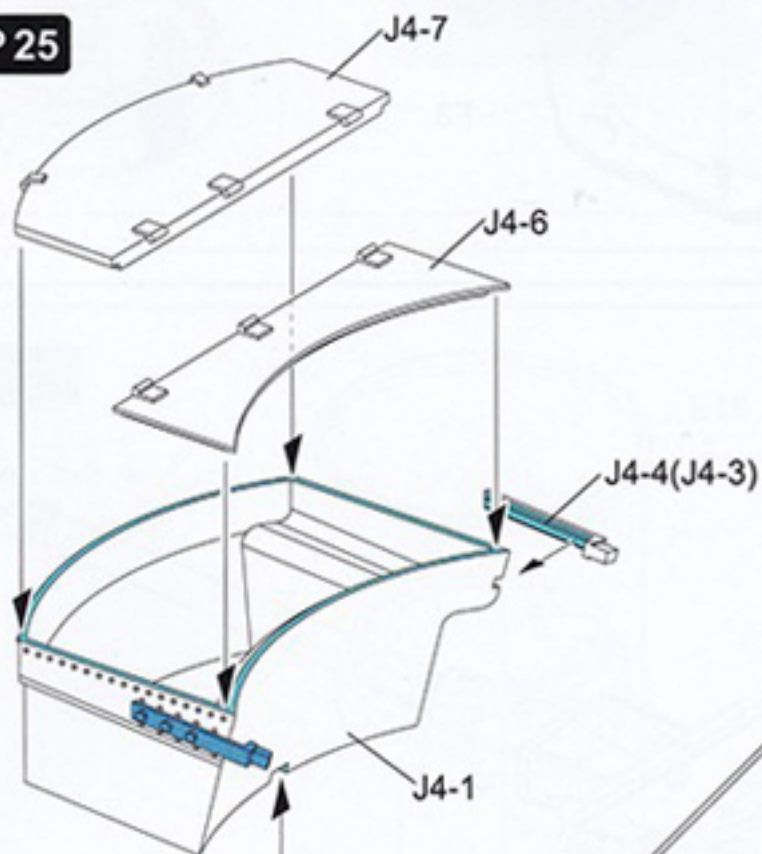
STEP 24



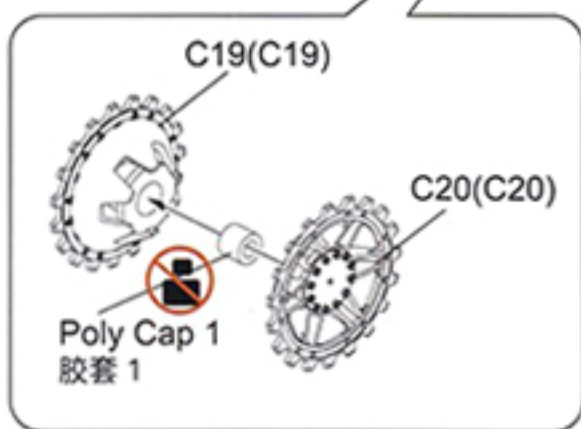
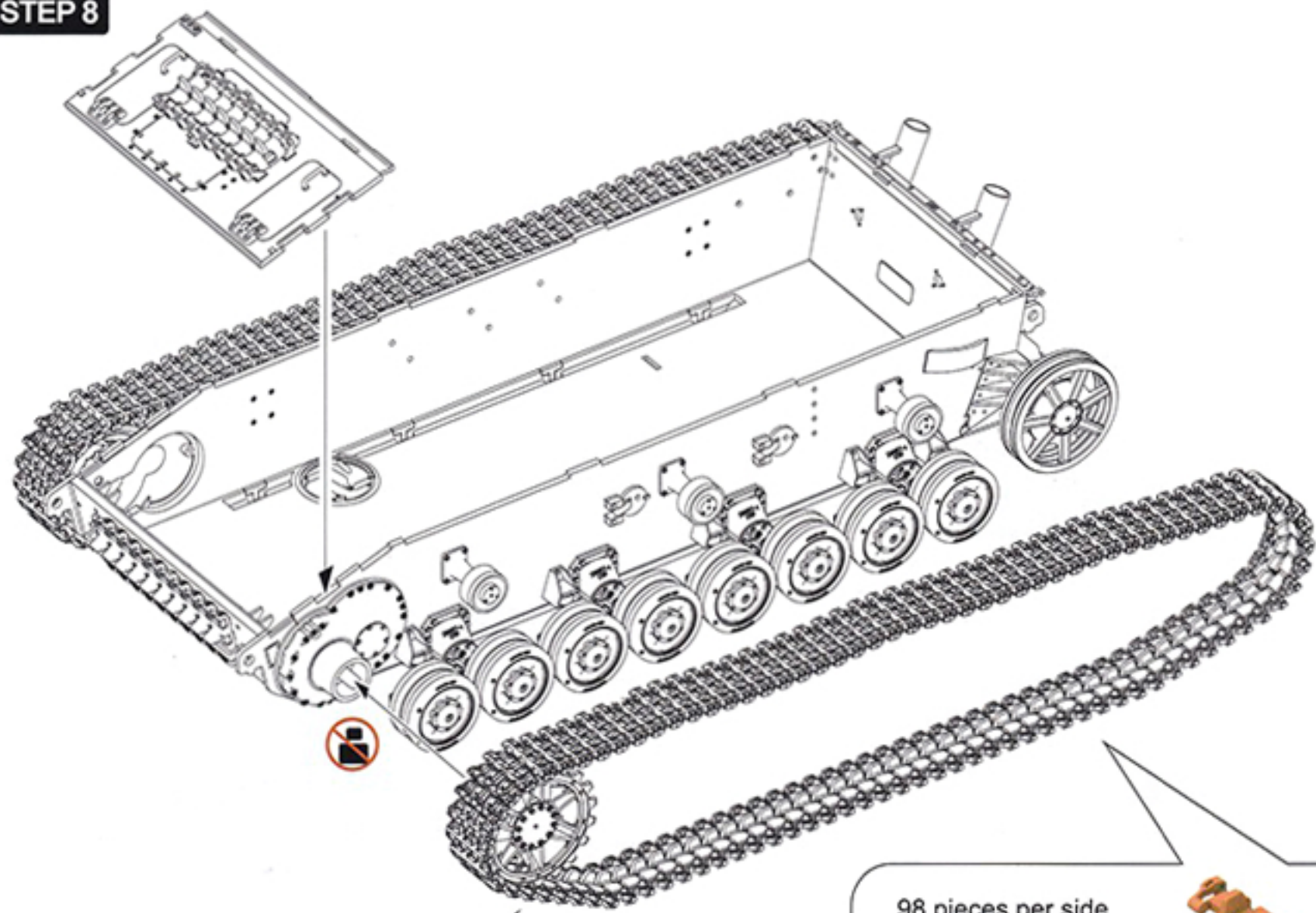
Apply for the Pz.Beob.Wg version
仅适用于炮兵观测车型号



STEP 25



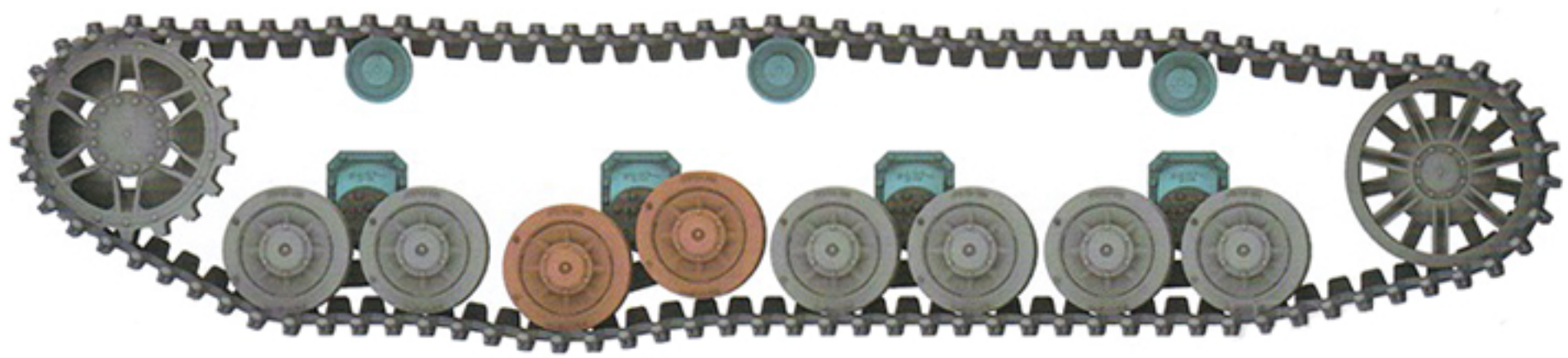
STEP 8

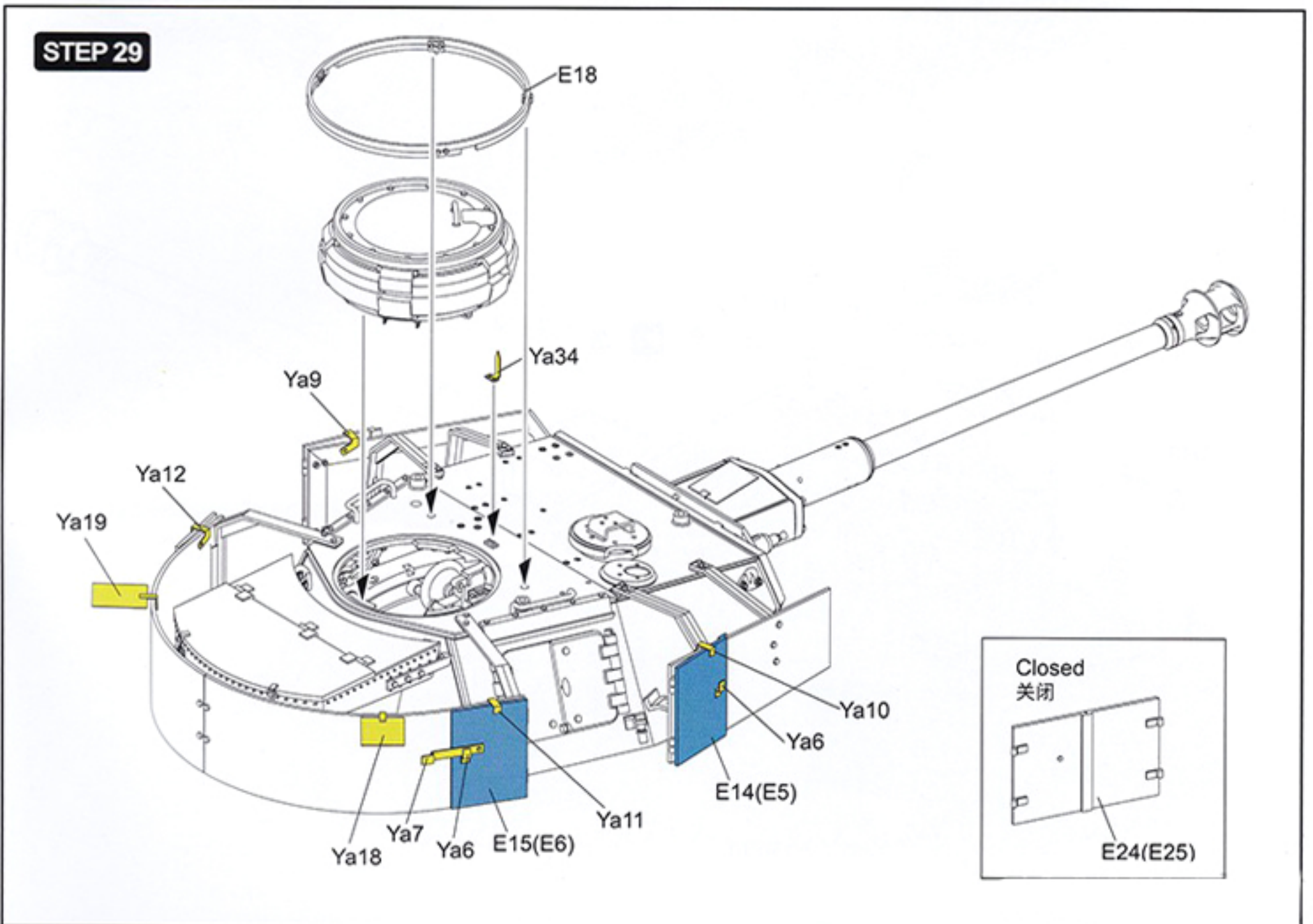
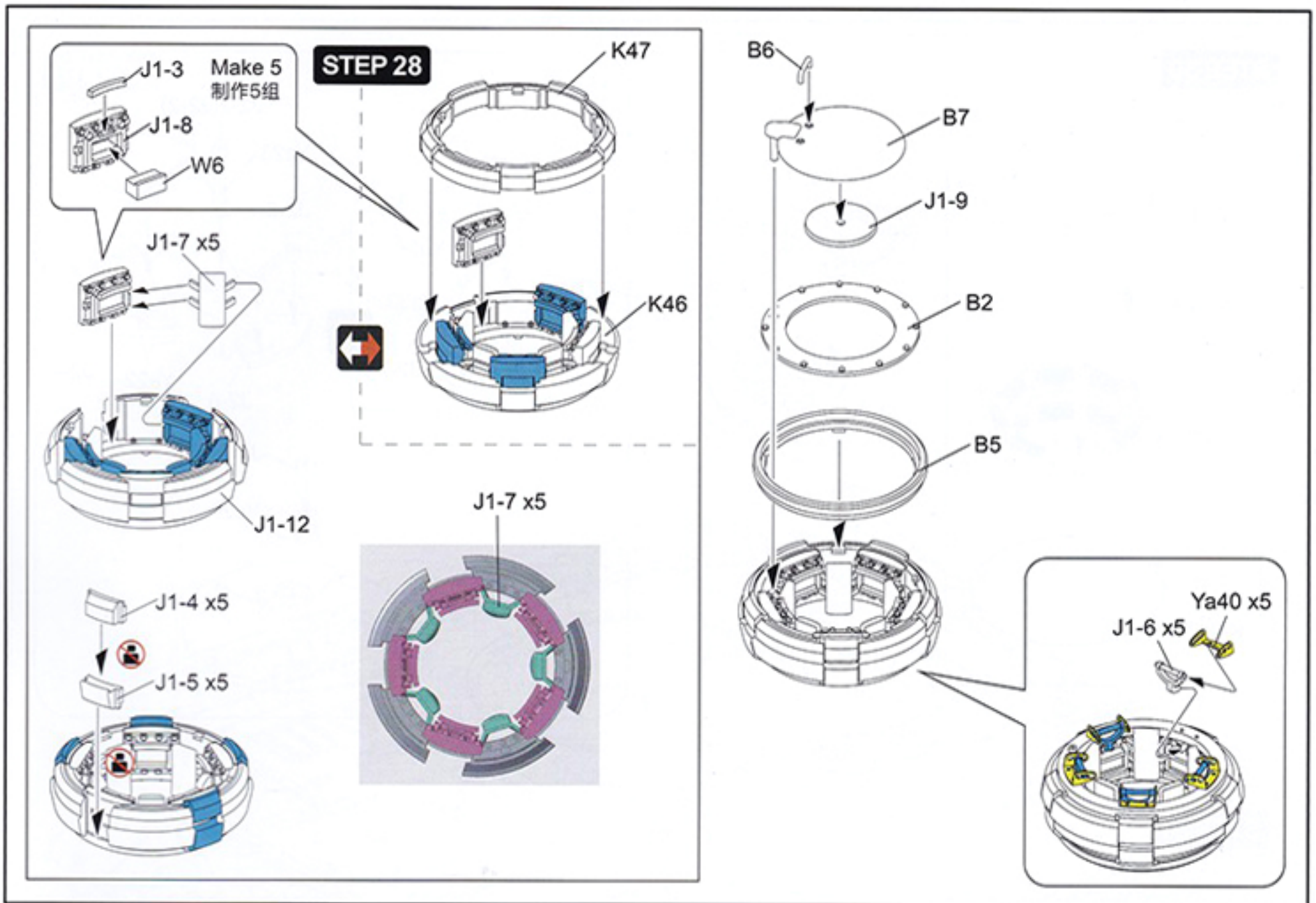


98 pieces per side
每侧98节

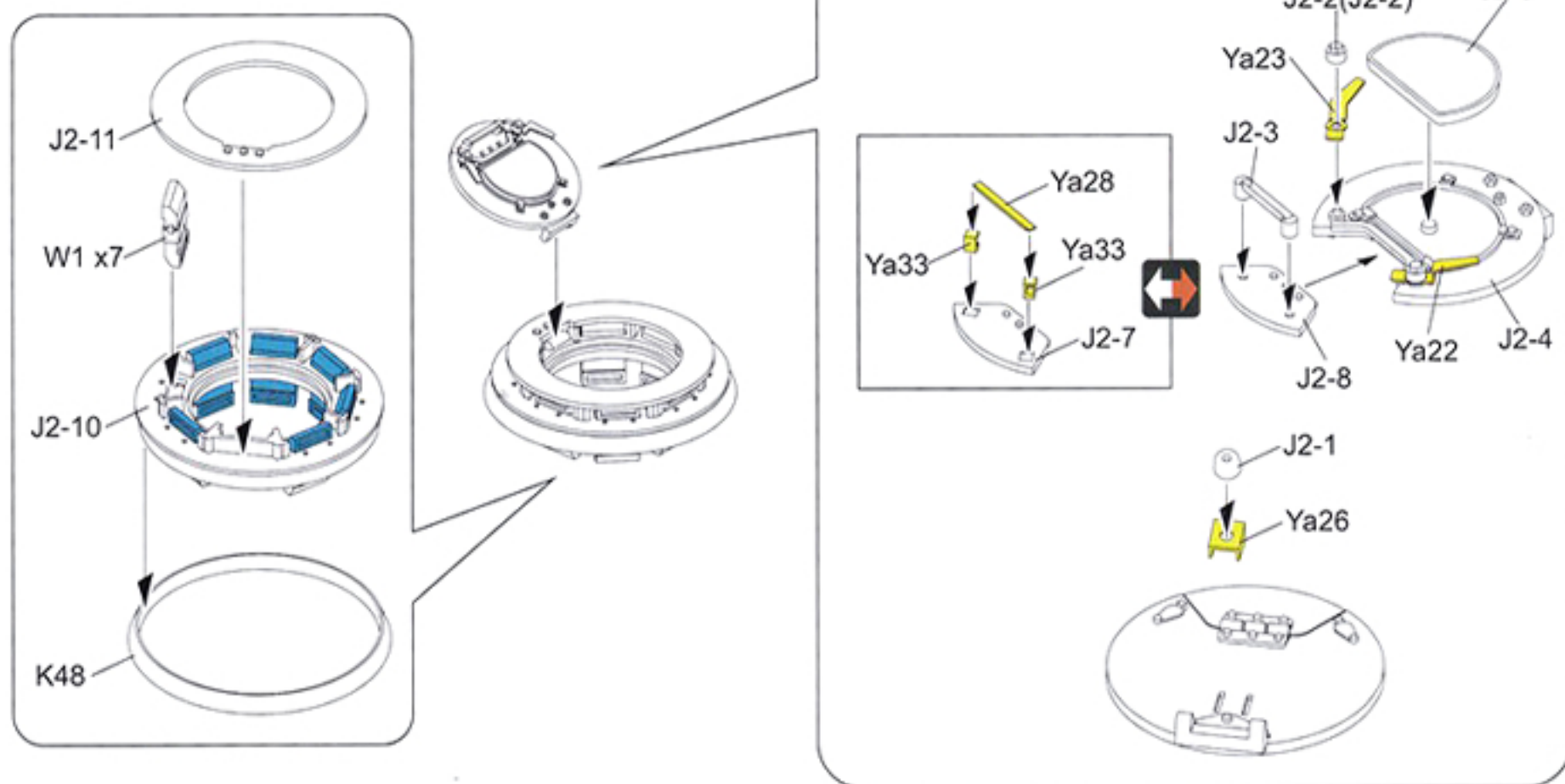
MAKE 2
制作2组

Use the cement only on the red parts to ensure that the track can workable.
仅在红色部分上使用胶水以确保履带的活动性。

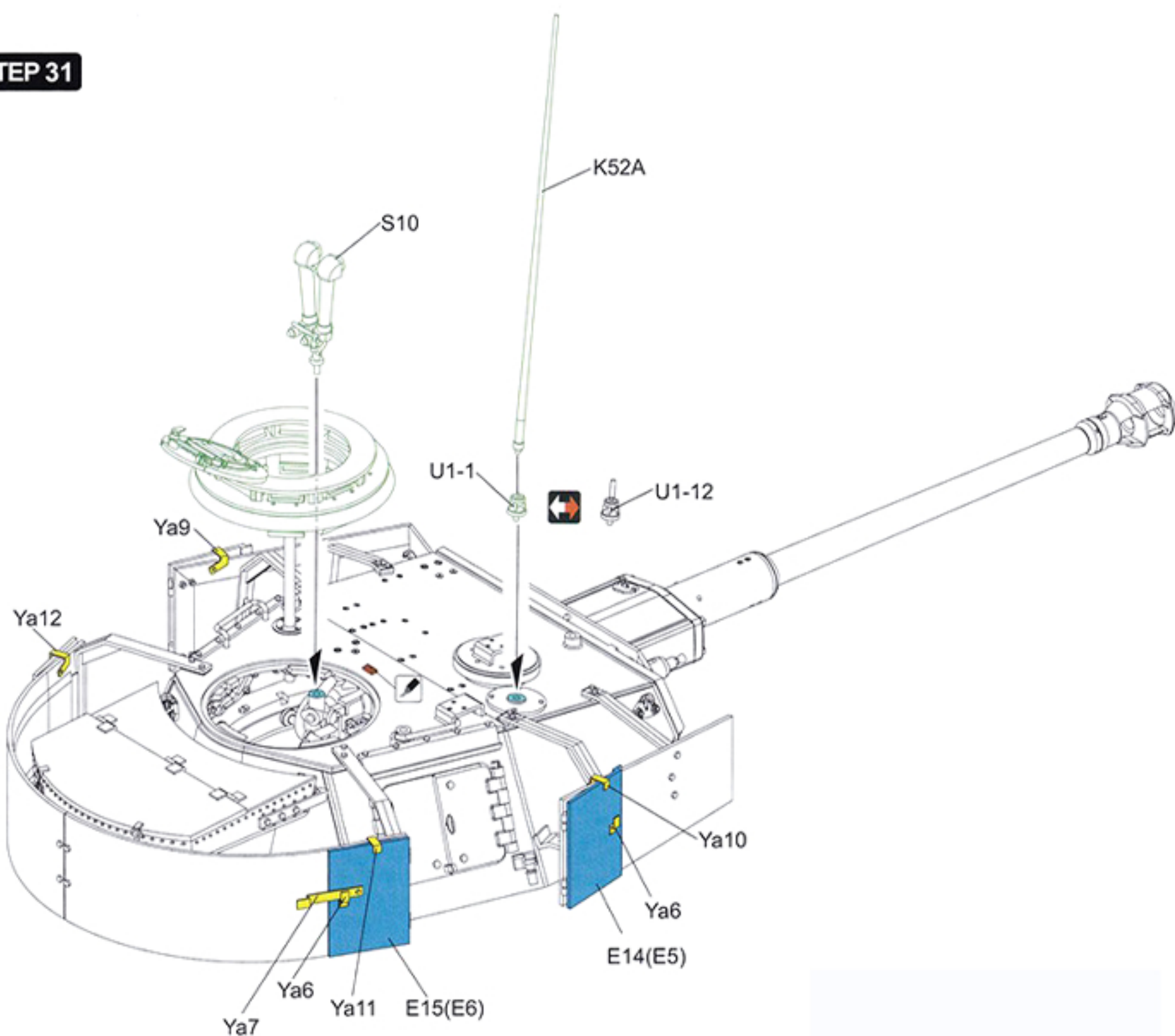




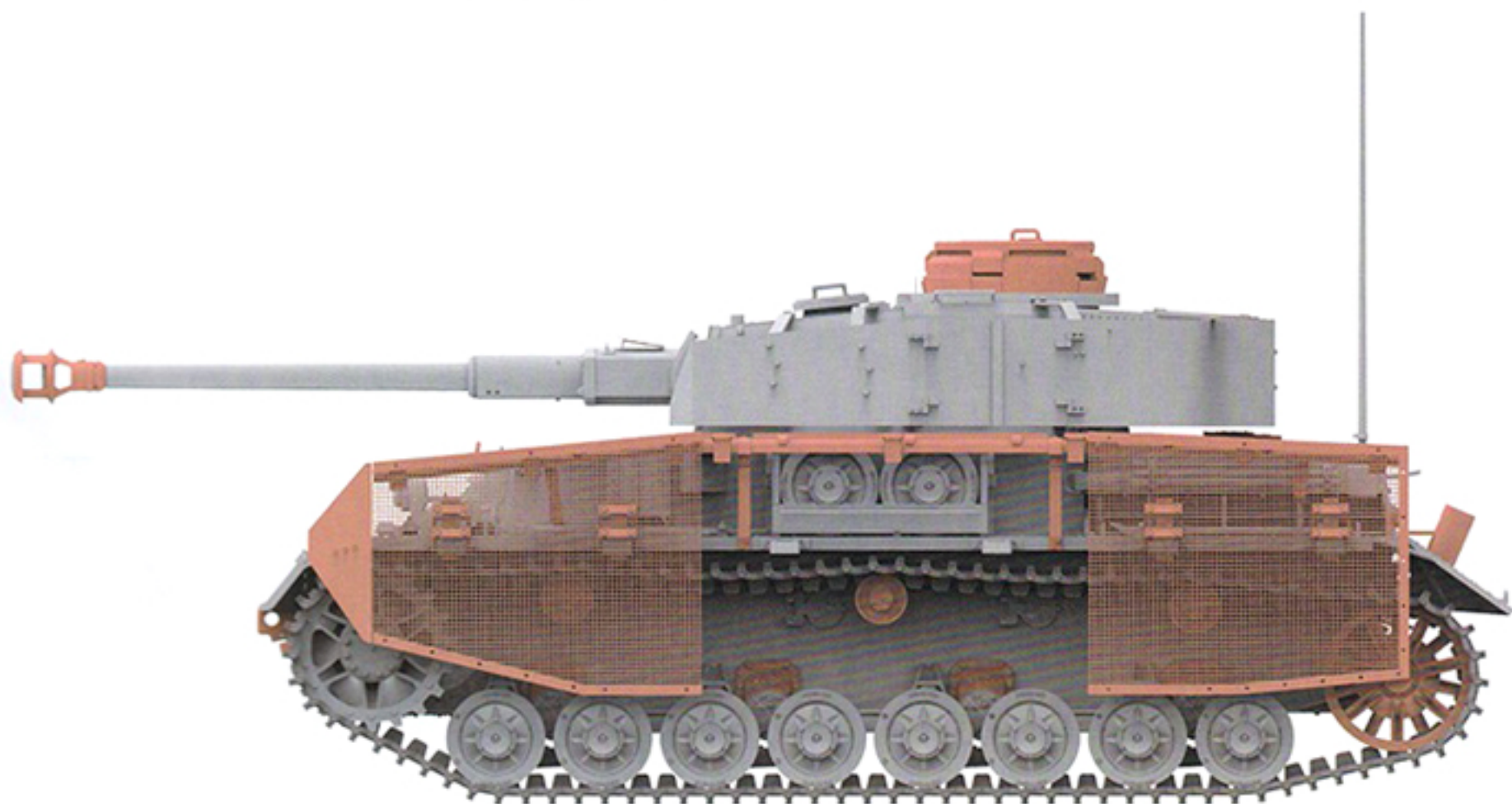
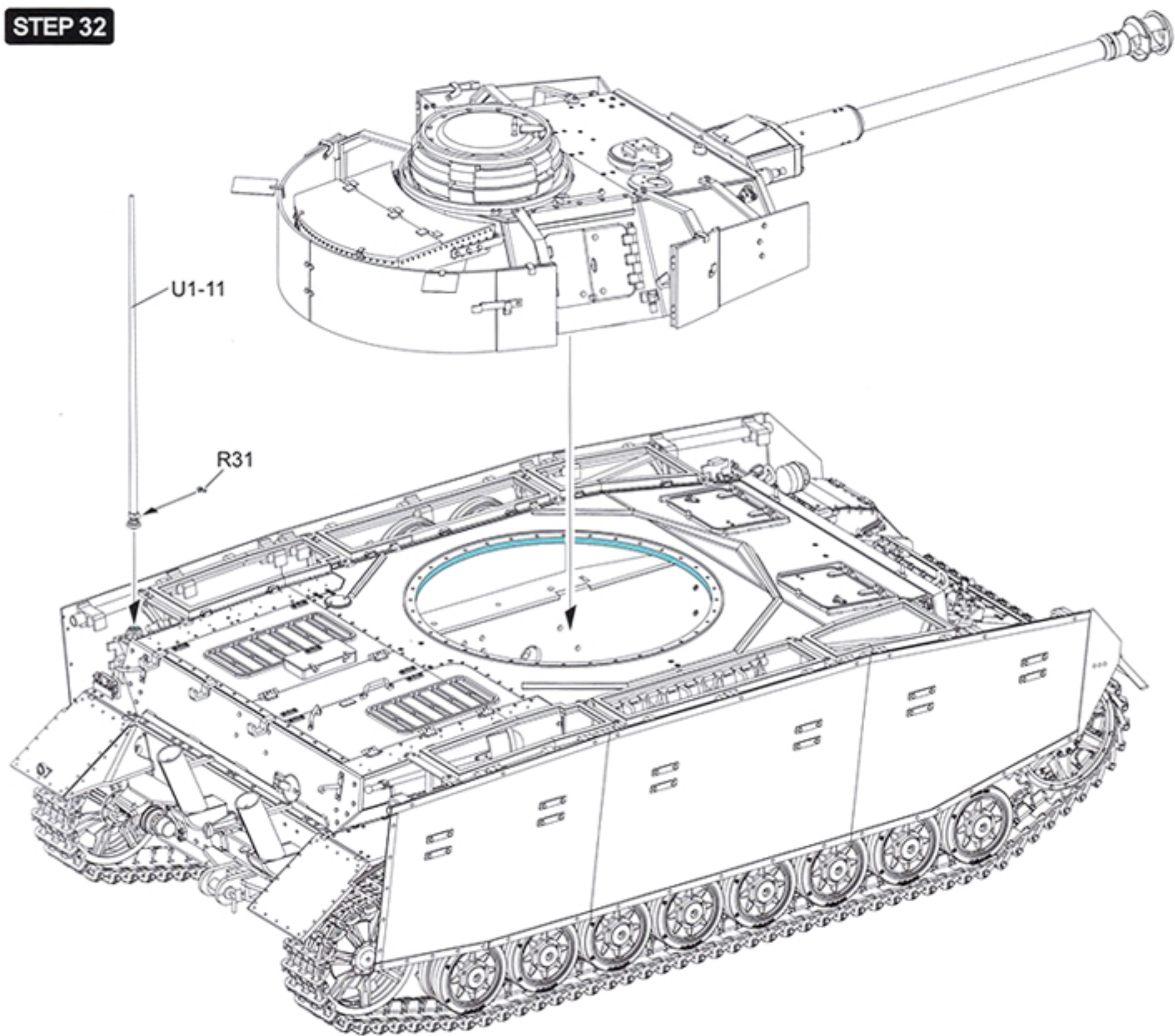
STEP 30

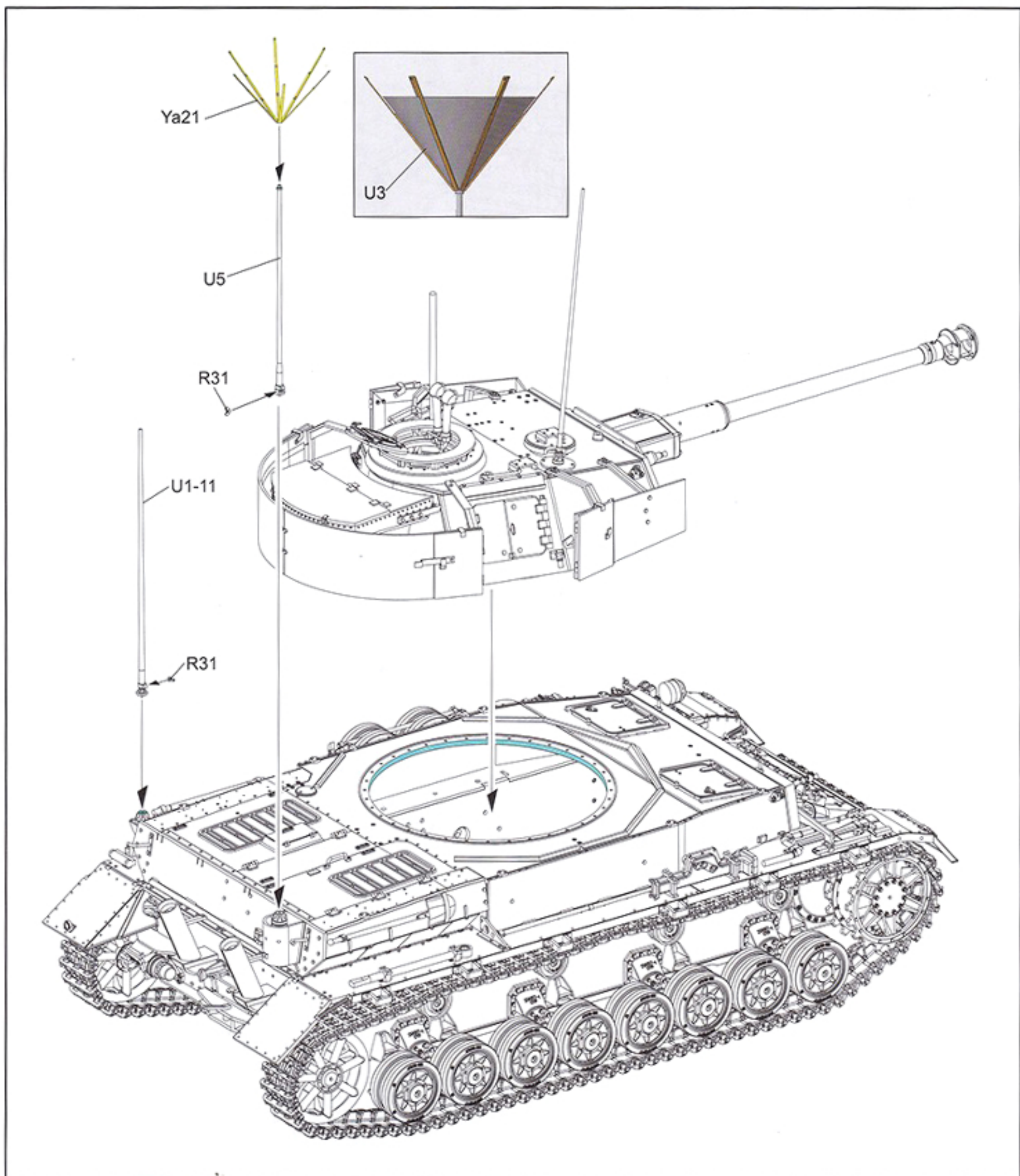


STEP 31



STEP 32





Pz.Kpfw.IV Ausf.J Late Production

Pz.Beob.Wg.IV Ausf.J w/workable track links

2 in 1



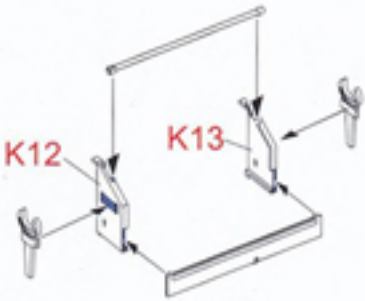
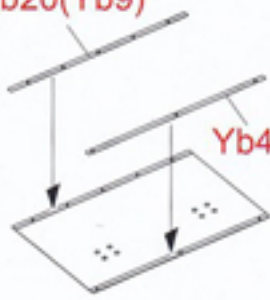
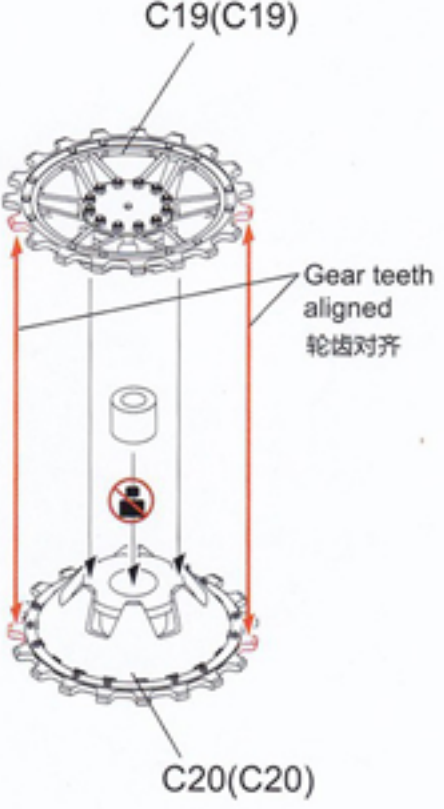
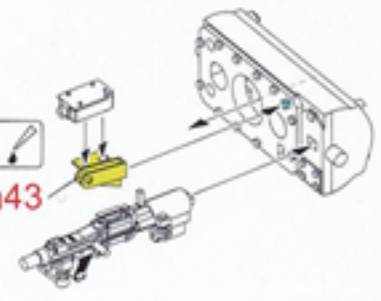
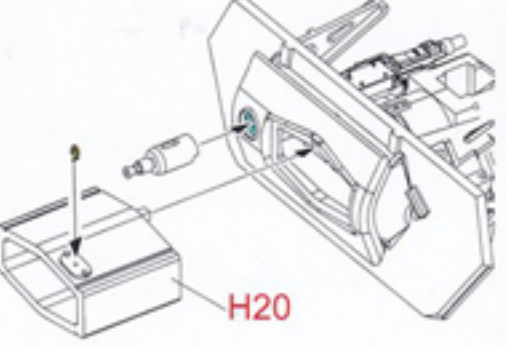
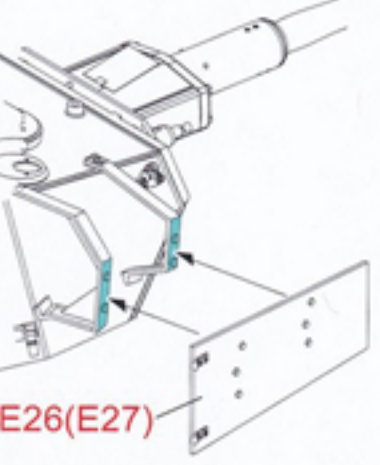
IV号戦車 J型 後期型/観測戦車 w/連結組立可動式履帯 IV号坦克 J型 最后期型/炮兵观测车 含可动式履带

5033

MILITARY MINIATURE SERIES

RFM
RYEFIELD MODEL®

Correction of mistakes for the parts 零件编号错误的修正

<p>The Step5 on page11 第11页step5</p> <p>Ya17(Ya20)</p>  <p>Ya31(Ya32)</p> 	<p>The Step16 on page18 第18页step16</p> <p>K12</p>  <p>K13</p>	<p>The Step20 on page20 第20页step20</p> <p>Yb20(Yb9)</p>  <p>Yb4(Yb3)</p>	<p>The Step 8 on page13 第13页step8</p> <p>C19(C19)</p>  <p>Gear teeth aligned 轮齿对齐</p> <p>C20(C20)</p>
<p>The Step21 on page21 第21页step21</p> <p>Ya43</p> 	<p>The Step22 on page22 第22页step22</p> <p>H20</p> 	<p>The Step27 on page24 第24页step27</p> <p>E26(E27)</p> 	<p style="text-align: right;">MOXING.NET 模型网</p>