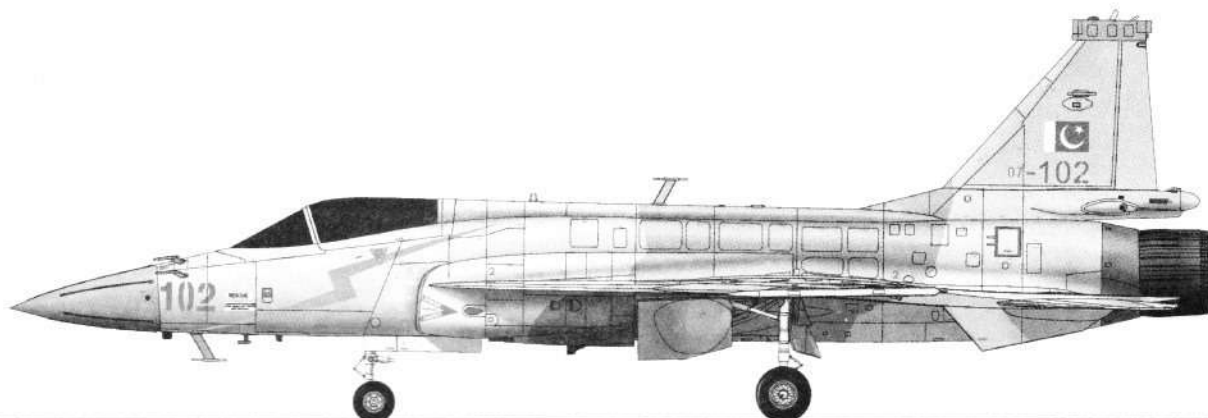


# Chinese FC-1 Fierce Dragon (Pakistani JF-17 Thunder)

中国FC-1“枭龙”(巴基斯坦JF-17“雷电”)战斗机



## READ BEFORE ASSEMBLY:

- Study and understand these instructions thoroughly before beginning assembly
- When needed, remove photo-etch parts carefully using a modeling knife or photo etch sprue cutter, being careful not to damage or lose small parts.
- Take extra care in handling photo etch parts in order to avoid injury
- Apply instant cement sparingly to photo etch parts where instructed
- Tools recommended(not included in kit):Plastic and instant cements, sprue cutters,long nose pliers,modeling knife, small files, tweezers, pin vise & scissors. Soft cloth and sandpaper will also assist in construction
- Glue and paint are not included in the kit. Use plastic cement and hobby paints only. Color guide for purchasing paint is included in the kit.

## 装配之前仔细阅读

- 小心用模型锉刀锉平所有零件表面的注射浇口。
- 小心用刀片切下蚀刻片零件，不要遗失小零件。
- 用强力快干胶水粘合蚀刻片零件和金属轴。过量快干胶水使用可能导致可动零件会粘住，小心涂胶。
- 取蚀刻片时应特别注意安全，防止利边划伤手指。
- 某些零件表面需贴水贴纸，请选择在装配的同时进行。
- 推荐模型工具(自备)：胶水，水口剪刀，长咀钳，刀片，锉刀，镊子，钳，钻，剪刀，瞬间快干胶。
- 软布同砂纸同时也应该是必备工具。
- 请使用塑料胶水和油漆，模型内不含。



配重  
Weight



使用强力胶  
Cyanoacrylate glue



钻孔  
Make hole



切除  
Cut / Remove



贴纸  
Decal



锉平  
File / Sand



选择  
Option



不涂胶水  
No cement



弯曲  
Bend

## 水贴纸的使用:

- 1.从水贴上剪下印花;
- 2.将印花放入温水中浸10秒, 然后放在干净布上。
- 3.拿着印花纸板将印花移到模型上;
- 4.手指蘸水将印花移到适当的位置;
- 5.用软布轻压印花直至水干, 气泡消失

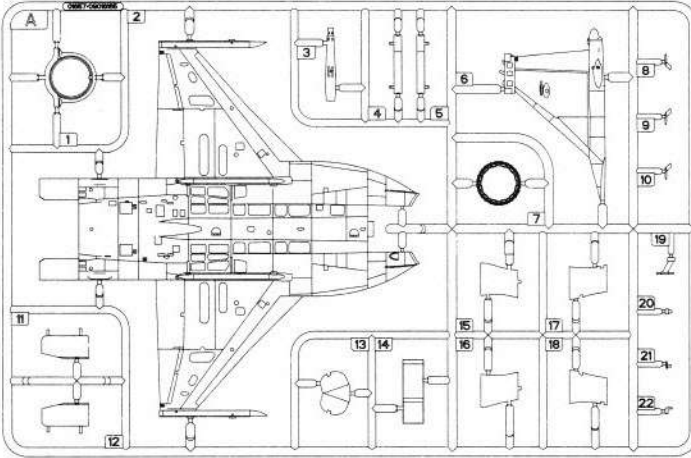
## DECAL APPLICATION

- 1.Cut decals from sheet as needed
- 2.Dip the decal in warm water for about 10 seconds and then place on soft clean cloth.
- 3.Hold the decal backing sheet edge and gently slide the decal onto the model in its proper position.

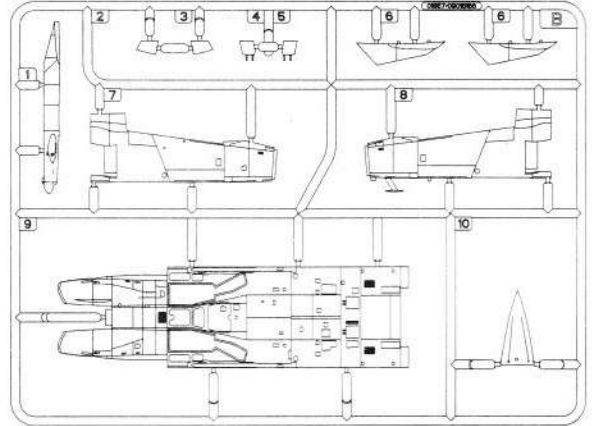
- 4.While still wet,decal can be adjusted for better fit on model by dampening it gently with your finger.
- 5.When placed in the proper position,gently press decal down with a soft cloth until excess water and air bubbles are gone.
- 6.Allow decal to dry completely before handling model

# 部品图 Parts

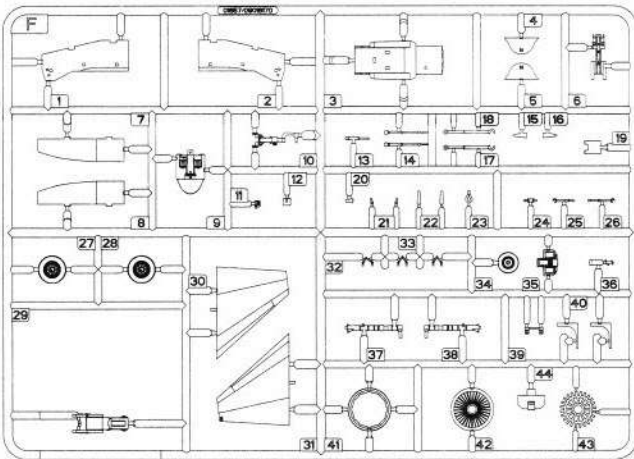
A



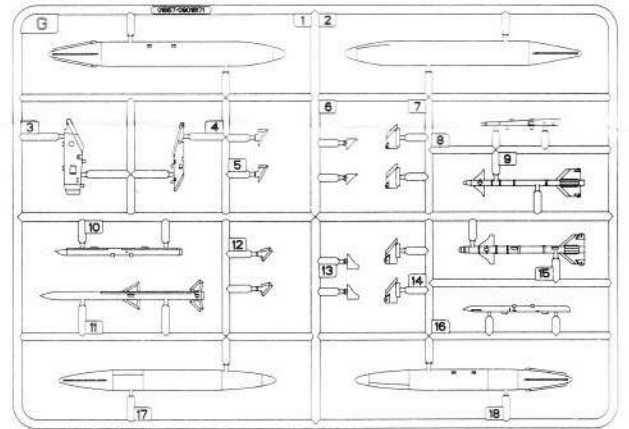
B



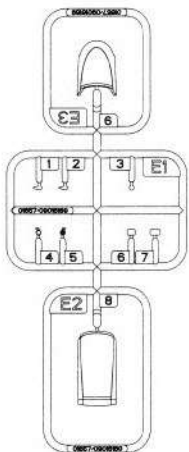
F



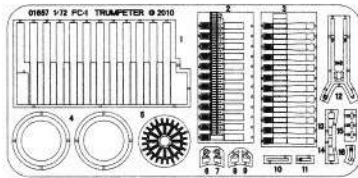
GX2



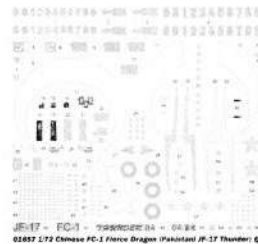
E



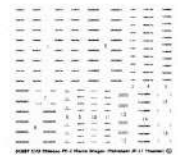
《蚀刻片》  
Photo etched part (PE)



《贴纸》 A  
Decal A

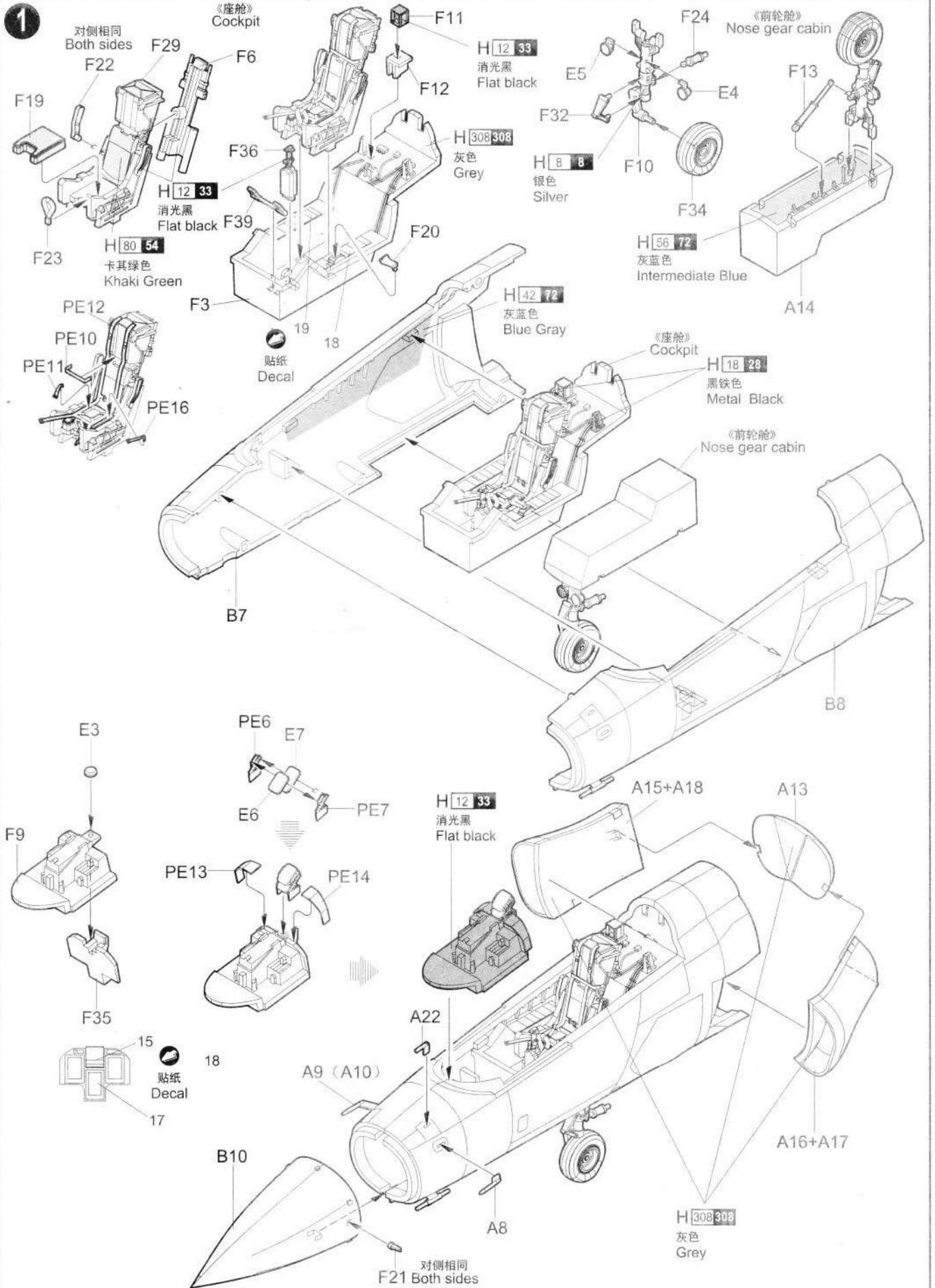


《贴纸》 B  
Decal B



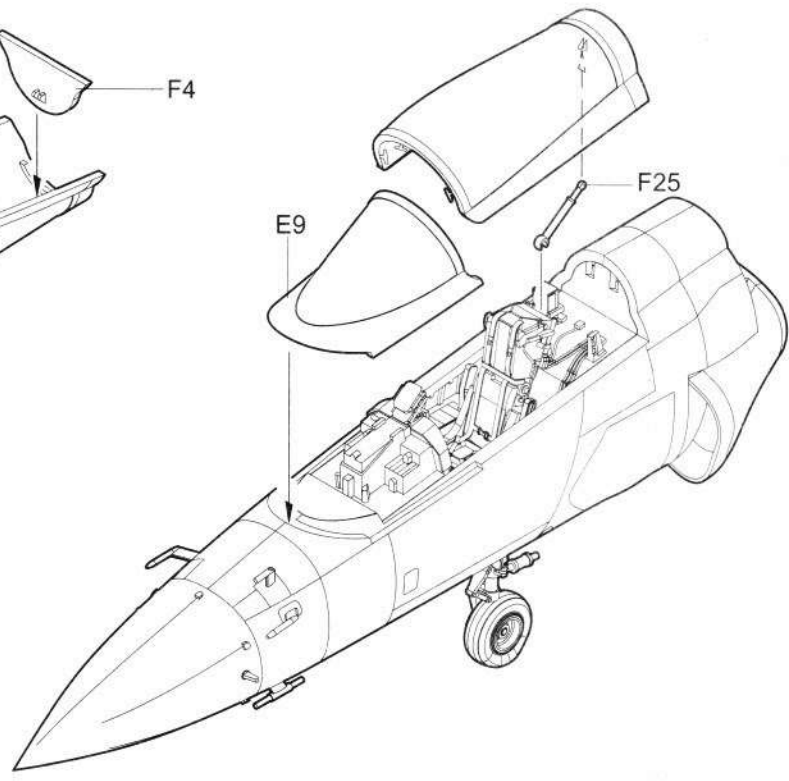
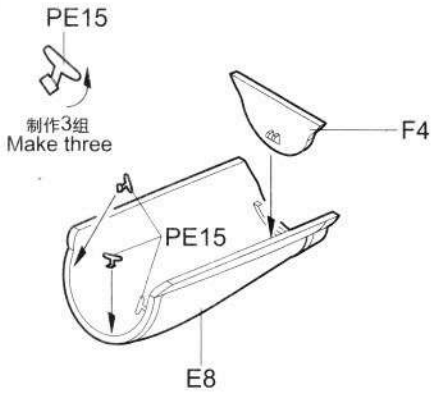
不用的部件: F44 PE8 PE9  
Unused parts

1



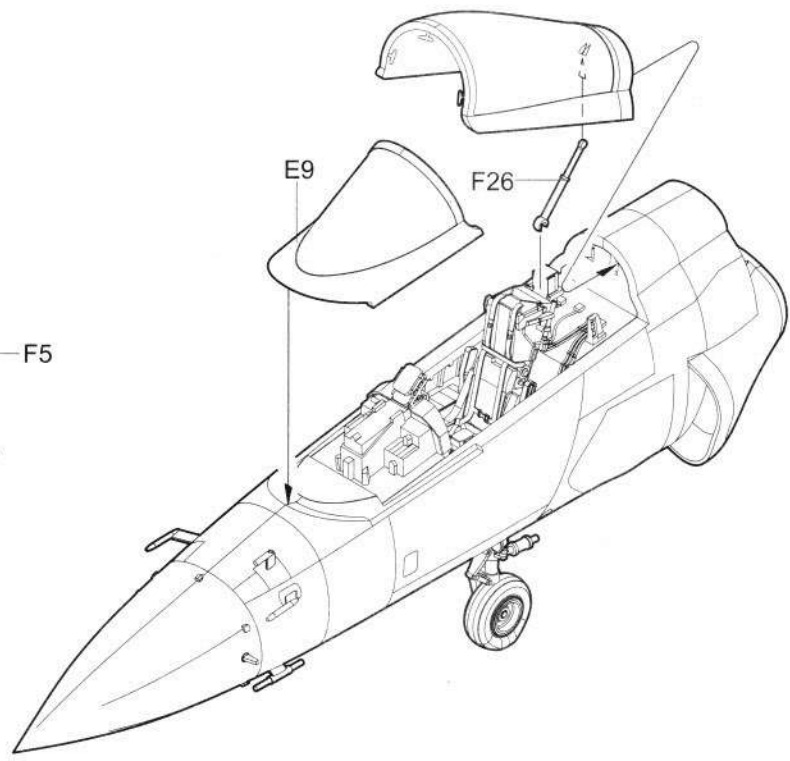
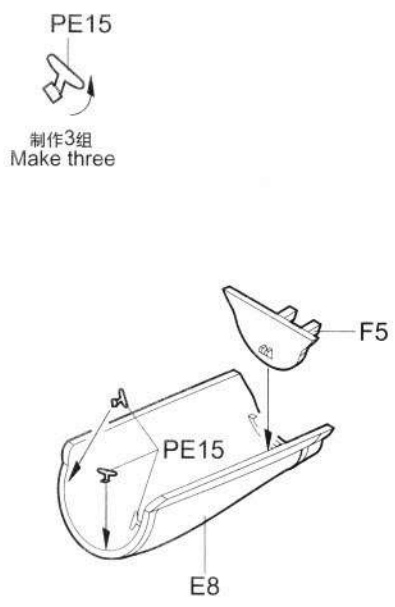
2

闭合状态  
Close



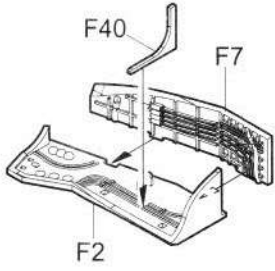
选择  
Option

打开状态  
Open

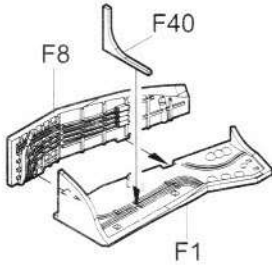


3

《左侧轮舱》  
Left gear cabin



《右侧轮舱》  
Right gear cabin



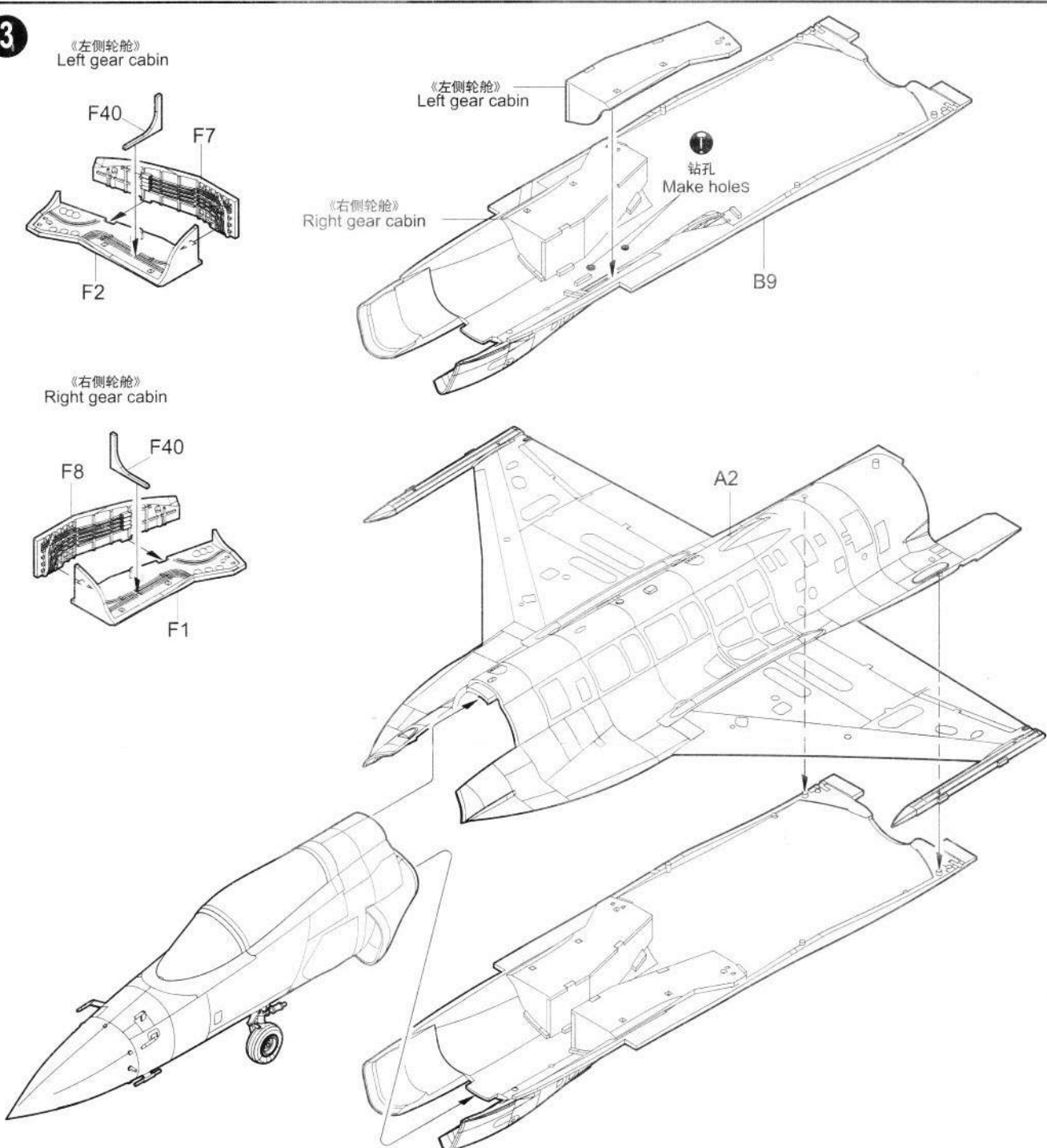
《左侧轮舱》  
Left gear cabin

《右侧轮舱》  
Right gear cabin

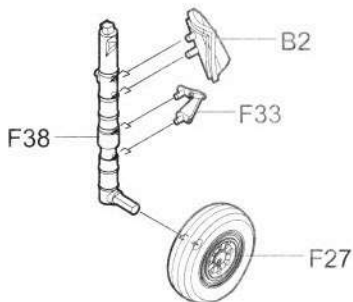
①  
钻孔  
Make holes

B9

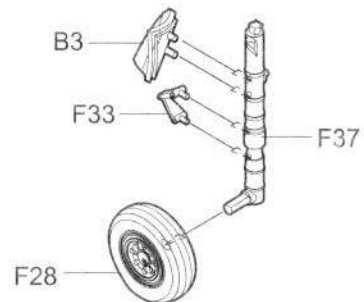
A2



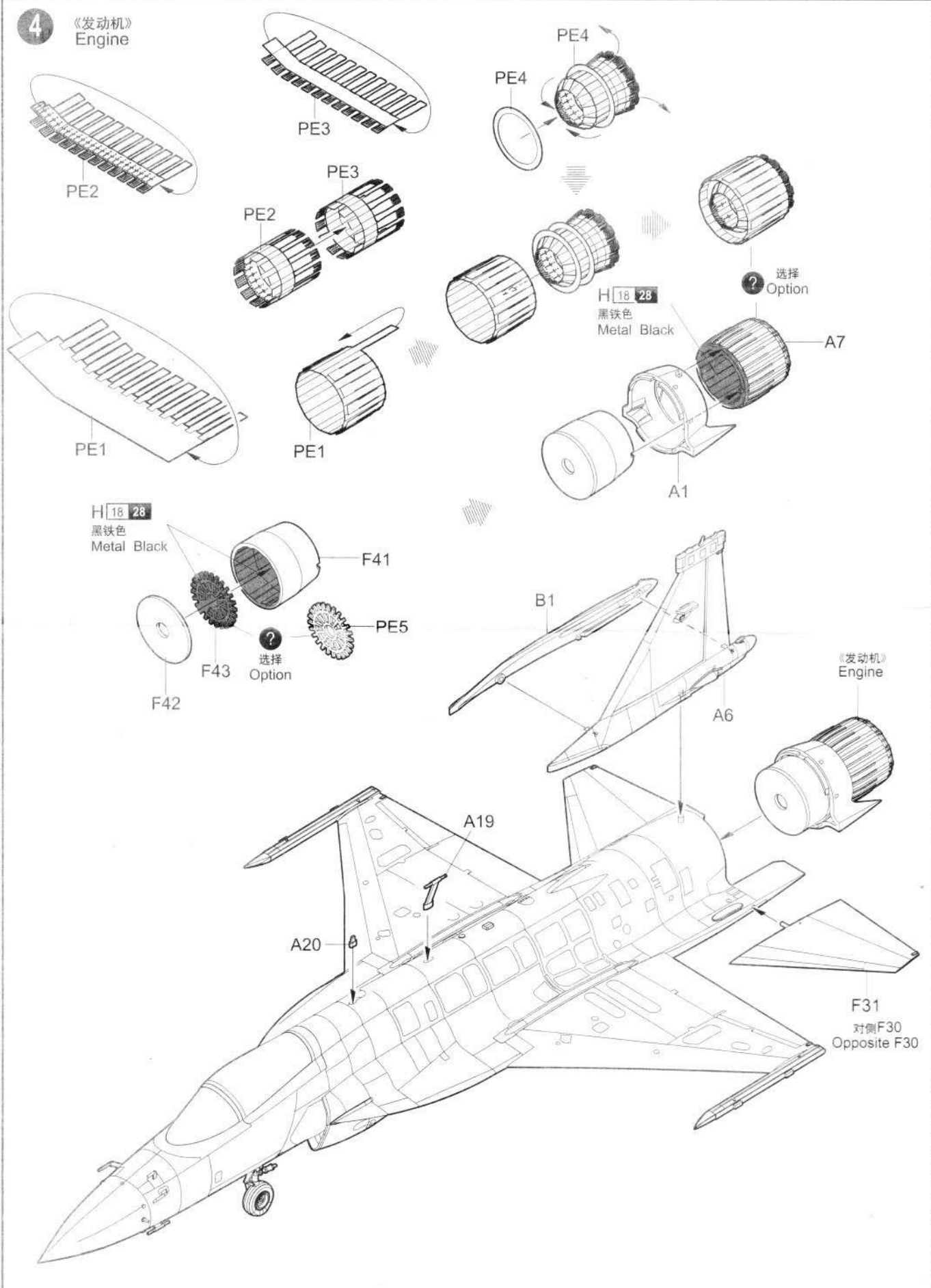
《左侧起落架》  
Left undercarriage



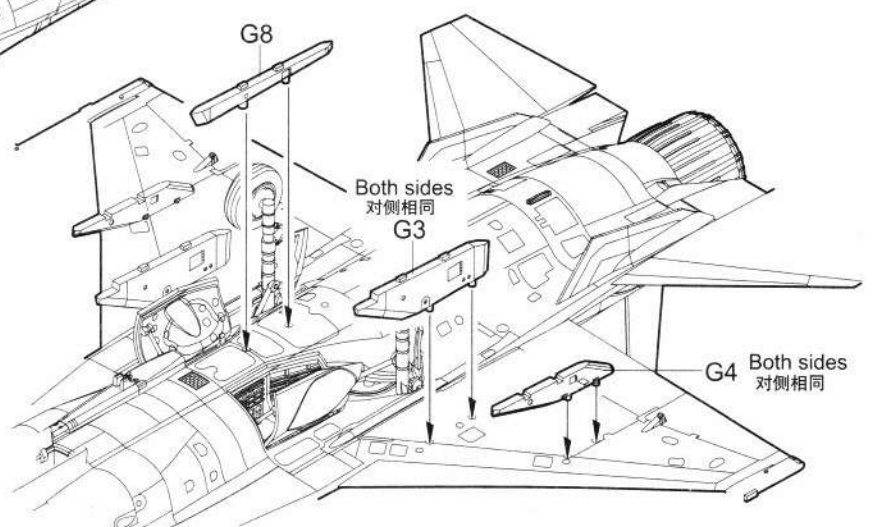
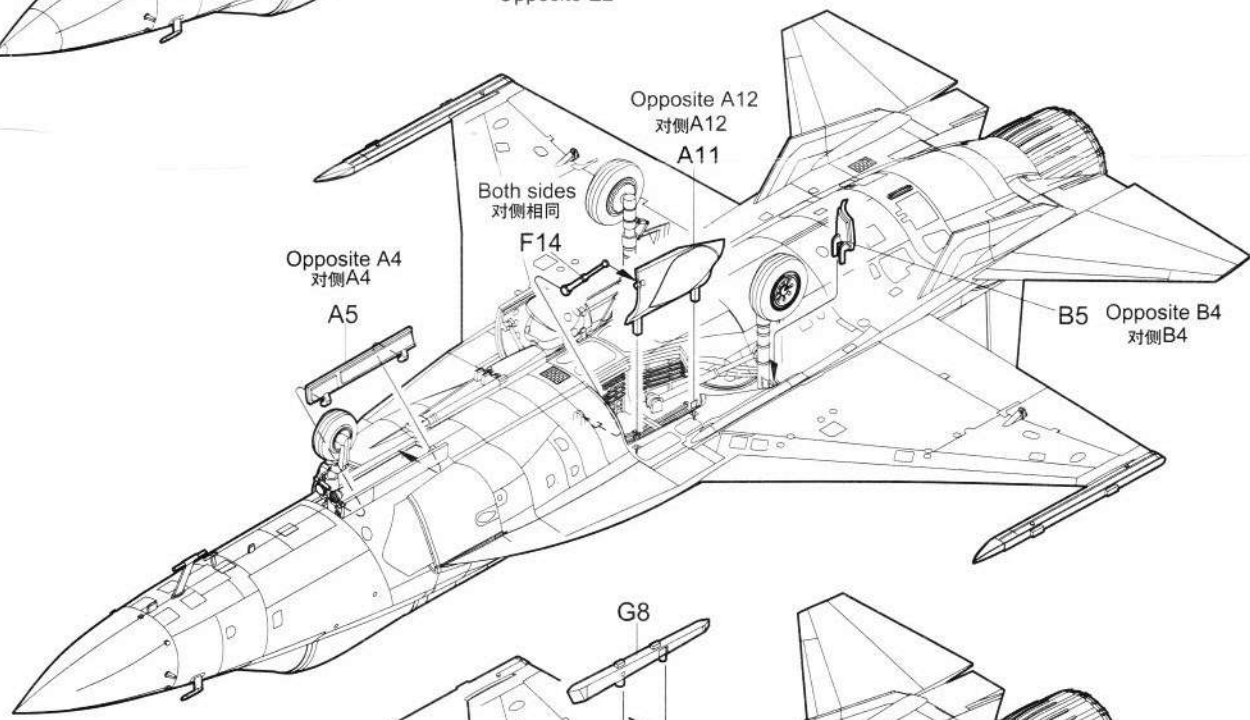
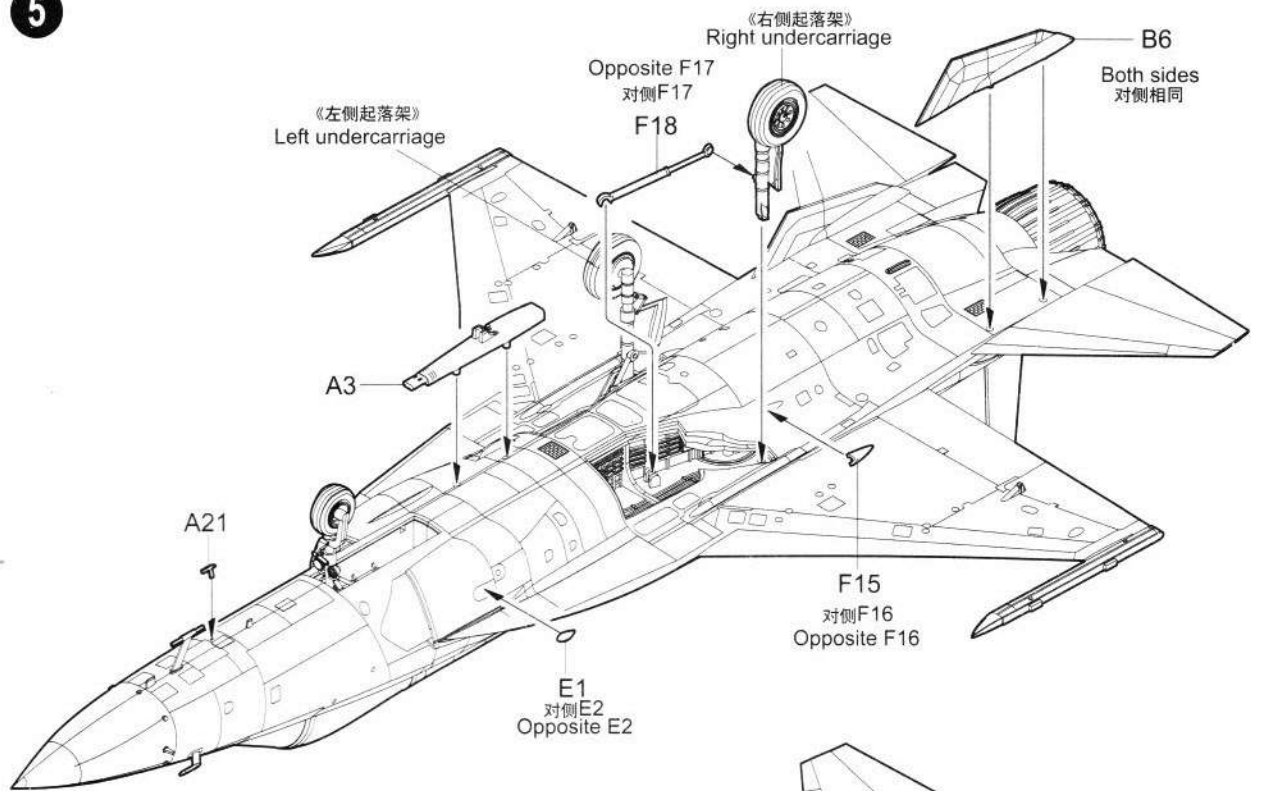
《右侧起落架》  
Right undercarriage



4 《发动机》  
Engine

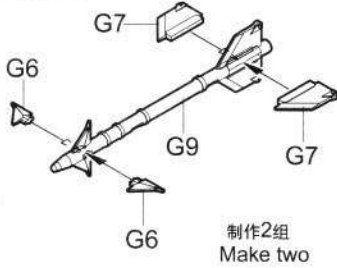


5

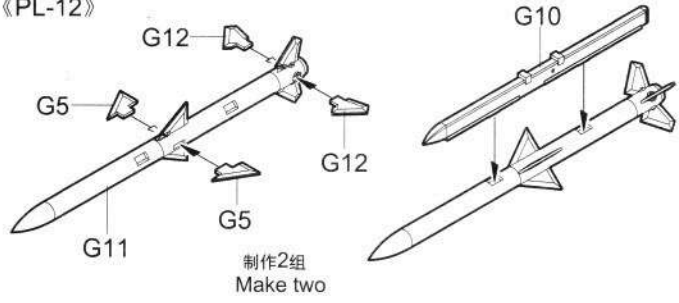


6

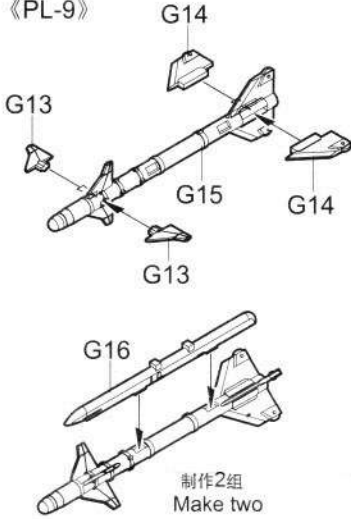
《PL-5》



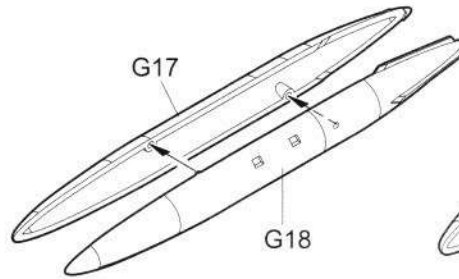
《PL-12》



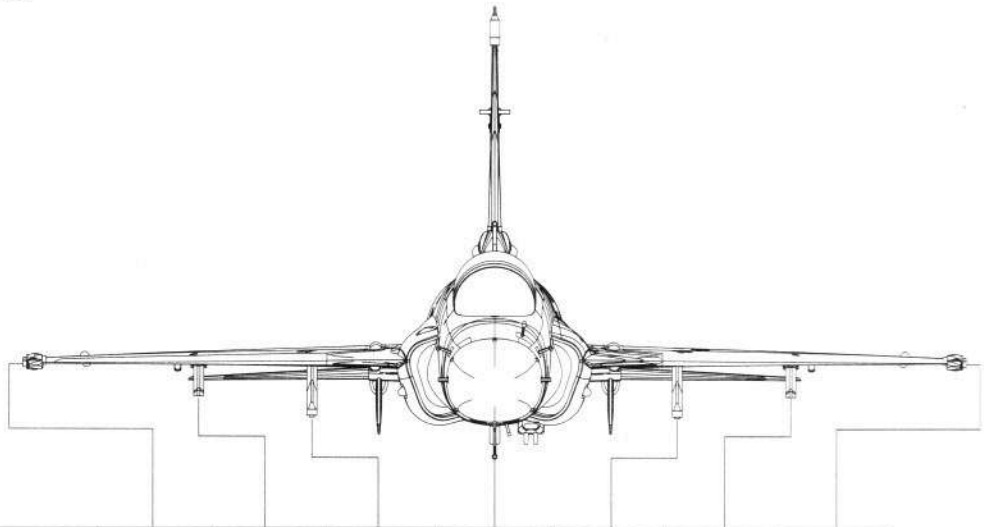
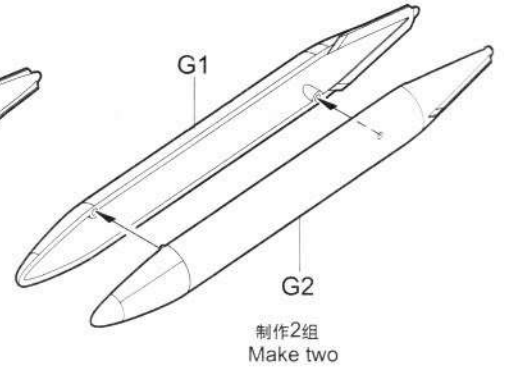
《PL-9》



《Fule Tank》 I



《Fule Tank》 II

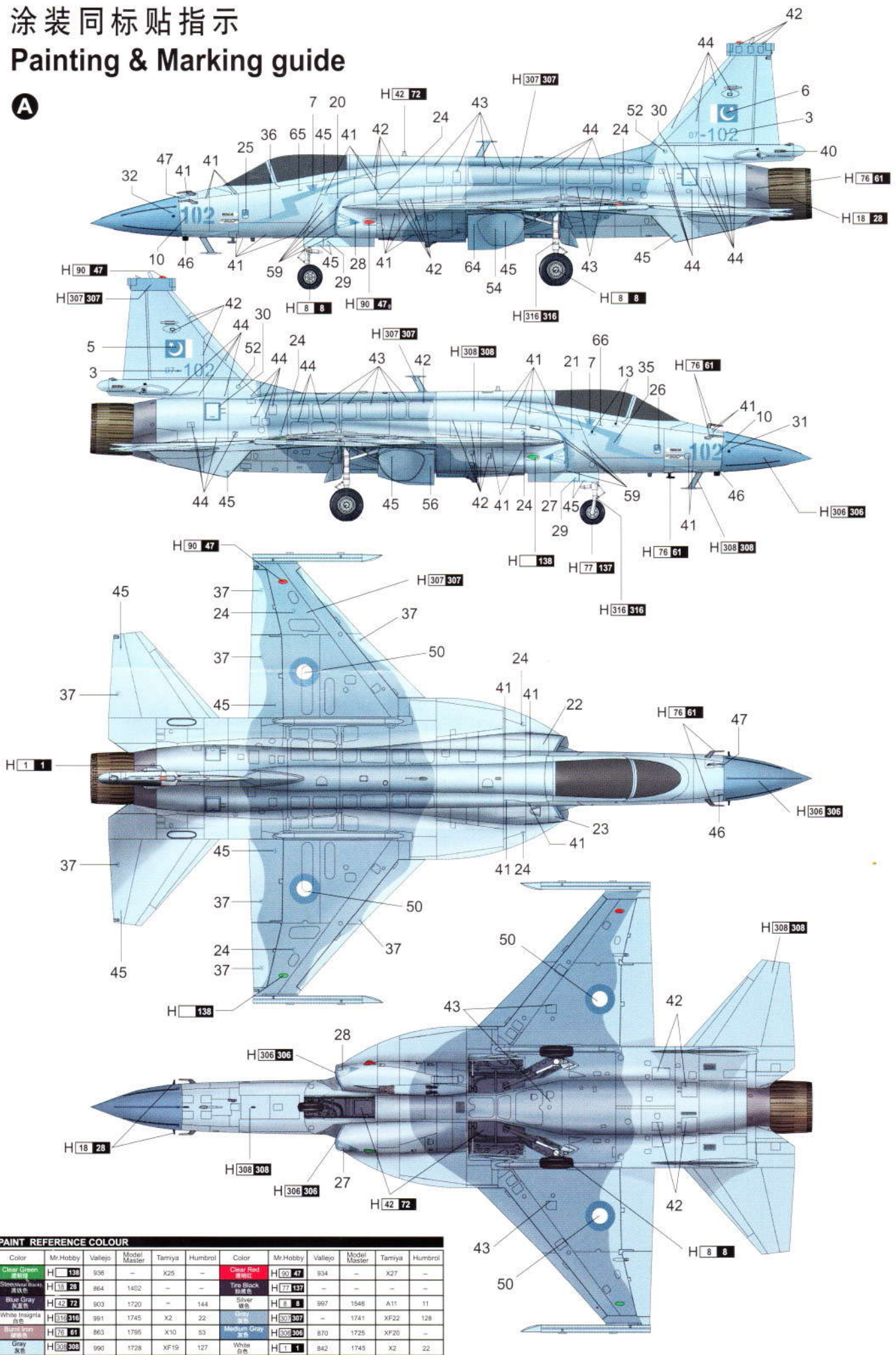


Sta.No.	1	2	3	4	5	6	7
Missile/Tank							
Fule Tank I				●			
Fule Tank II			●		●		
PL-5	●	●				●	●
PL-9		●				●	
PL-12		●				●	



# 涂装同标贴指示 Painting & Marking guide

**A**



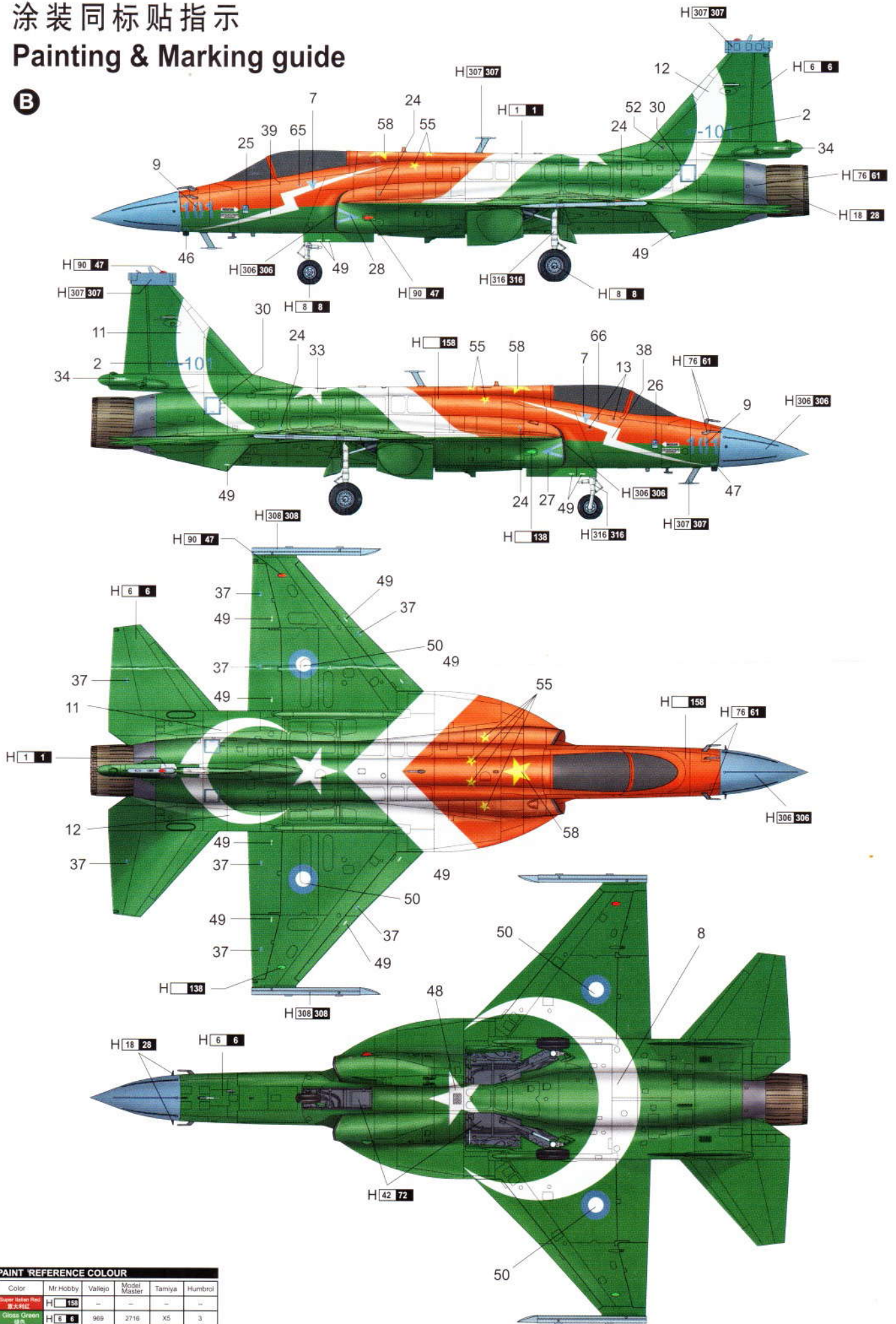
**PAINT REFERENCE COLOUR**

Color	Mr.Hobby	Vallejo	Model Master	Tamiya	Humbrol	Color	Mr.Hobby	Vallejo	Model Master	Tamiya	Humbrol
Clear Green 透明绿	H 430	936	-	X25	-	Clear Red 透明红	H 90 47	934	-	X27	-
Stainless Steel 不锈钢色	H 18 28	864	1402	-	-	Tire Black 轮胎黑	H 77 137	-	-	-	-
Blue Gray 蓝灰色	H 32 72	803	1720	-	144	Silver 银色	H 8 8	997	1546	A11	11
White Insignia 白色	H 316 316	991	1745	X2	22	Light Blue 浅蓝色	H 307 307	-	1741	XF22	128
Burnt Iron 烧铁色	H 76 61	863	1795	X10	83	Medium Gray 中灰色	H 306 306	870	1725	XF20	-
Gray 灰色	H 308 308	990	1728	XF19	127	White 白色	H 1 1	842	1745	X2	22

# 涂装同标贴指示

## Painting & Marking guide

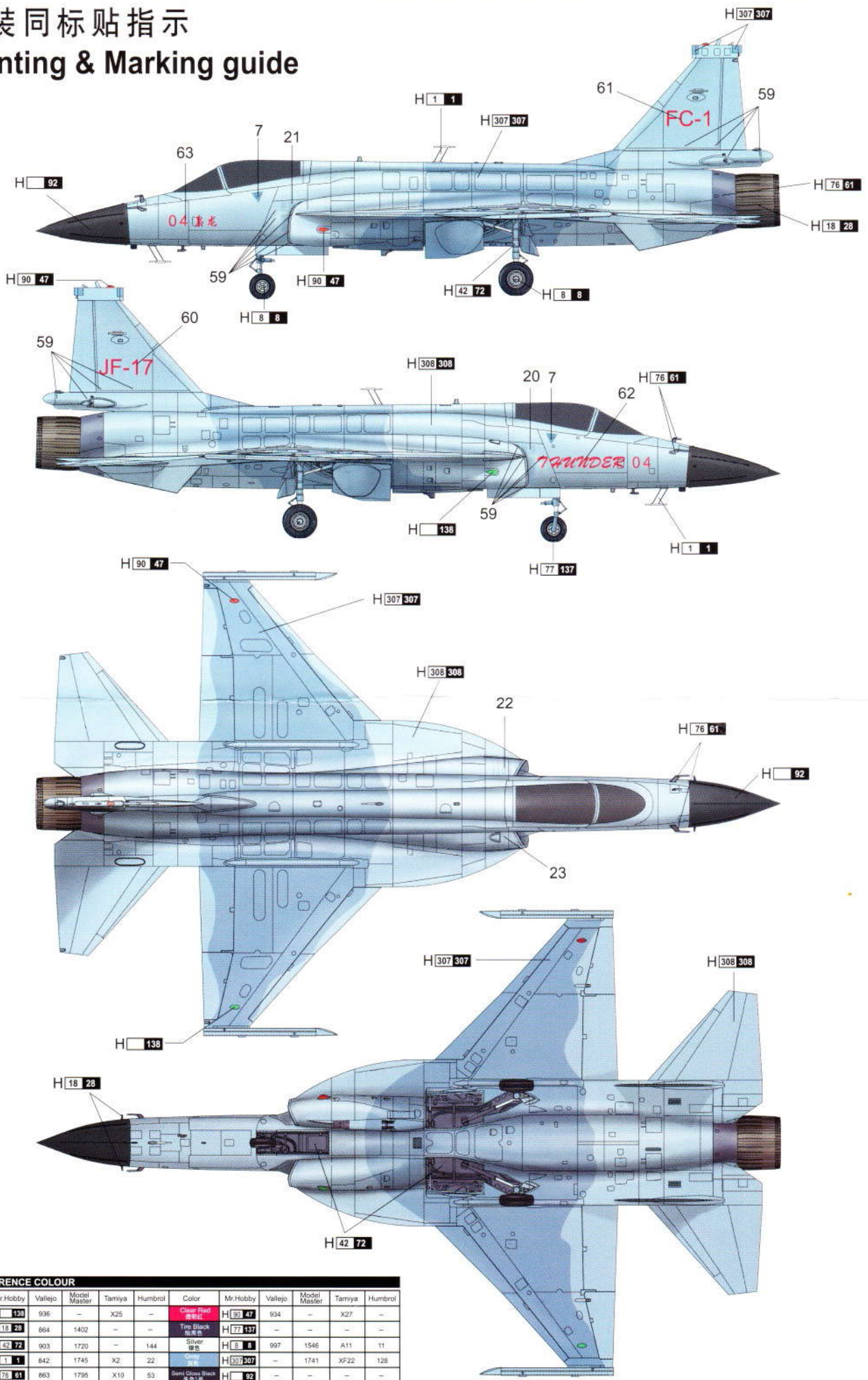
**B**



PAINT REFERENCE COLOUR					
Color	Mr Hobby	Vallejo	Model Master	Tamiya	Humbrol
Silver Satin Red H.S.114	H 138	-	-	-	-
Gloss Green G.6	H 6 6	989	2716	X5	3
Gloss White G.6	H 1 1	842	1745	X2	22

# 涂装同标贴指示 Painting & Marking guide

©

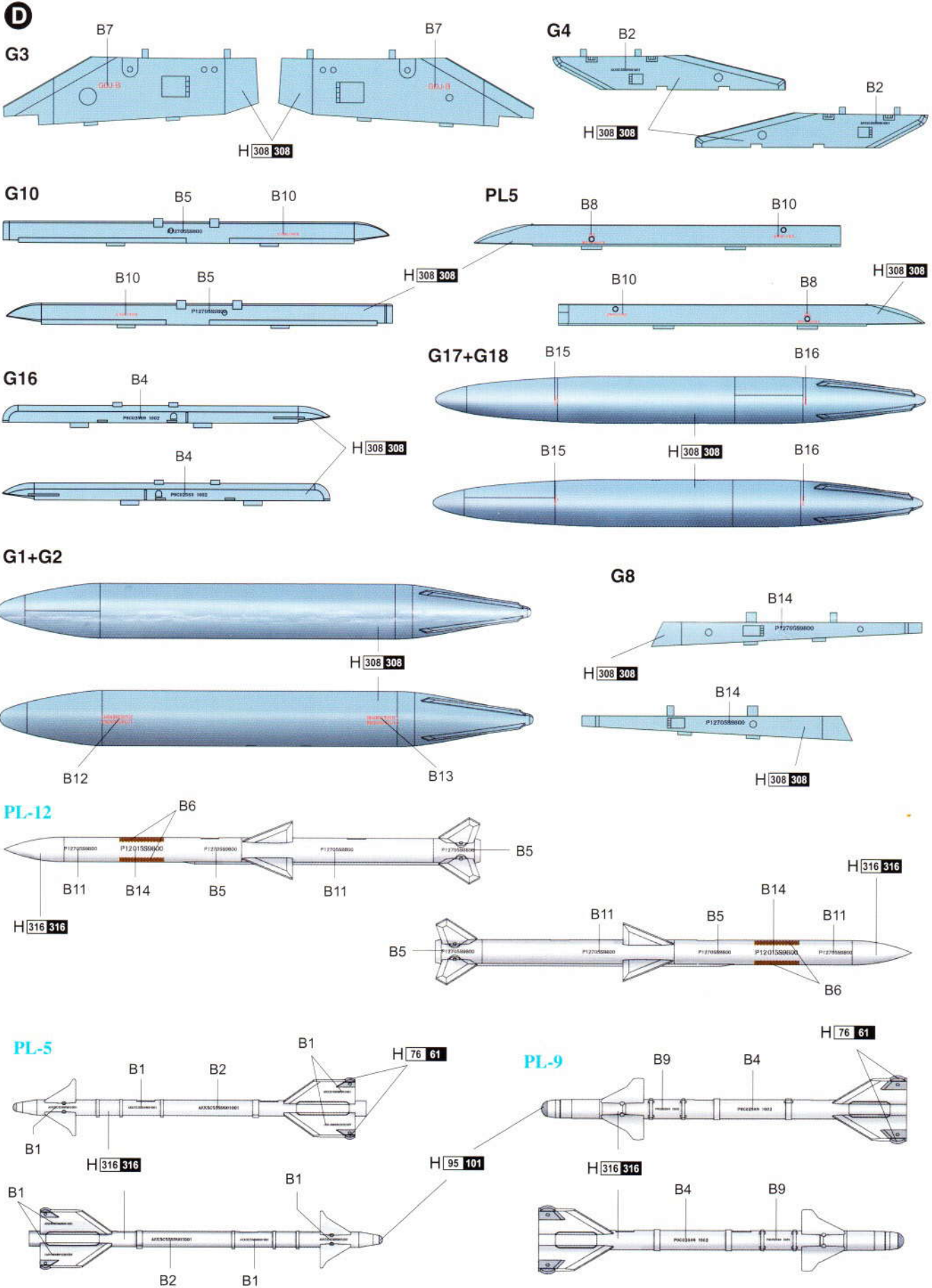


PAINT REFERENCE COLOUR											
Color	Mr.Hobby	Vallejo	Model Master	Tamiya	Humbrol	Color	Mr.Hobby	Vallejo	Model Master	Tamiya	Humbrol
Cream Green 奶油绿	H 138	936	-	X25	-	Clear Red 透明红	H 30 47	934	-	X27	-
Stone/Matrix Black 黑铁粉	H 18 28	864	1402	-	-	Tire Black 轮胎黑	H 77 137	-	-	-	-
Blue Grey 灰蓝色	H 42 72	903	1720	-	144	Silver 银色	H 8 8	997	1546	A11	11
White 白色	H 1 1	842	1745	X2	22	Gray 灰色	H 307 307	-	1741	XF22	128
Bluish Iron 铁蓝色	H 76 61	863	1795	X10	53	Semi Gloss Black 半光黑	H 92	-	-	-	-
Gray 灰色	H 308 308	990	1728	XF19	127						

# 涂装同标贴指示

## Painting & Marking guide

PAINT REFERENCE COLOUR					PAINT REFERENCE COLOUR						
Color	Mr Hobby	Vallejo	Model Master	Tamiya	Humbrol	Color	Mr Hobby	Vallejo	Model Master	Tamiya	Humbrol
White 白色	H 101	842	1745	XF2	22	Smoke Blue 烟色	H 95 101	—	—	—	—
Burnt Iron 锈棕色	H 76 61	863	1795	XF10	53	White 白色	H 316 316	991	1745	X2	22
Grey 灰色	H 308 308	990	1728	XF19	127						



H □ AQUEOUS HOBBY COLOR ■ Mr. COLOR

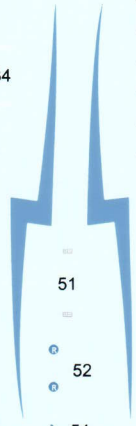
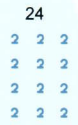
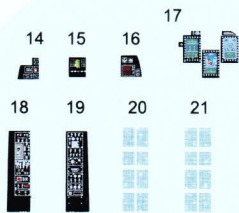
0 0 1 2 3 4 5 6 7 8 9 07-101 07-102 00 1 2 3 4 5 6 7 8 9

0 0 1 2 3 4 5 6 7 8 9 07-101 07-102 00 1 2 3 4 5 6 7 8 9

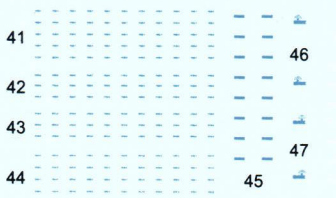
5 6 101 9 101 102 11 12

8 10 102 13

7 35 36 37 38 39



25 RESCUE 26 RESCUE



JF-17 60 FC-1 61 THUNDER 04 62 04 轰龙 63 64 65 66

01657 1/72 Chinese FC-1 Fierce Dragon (Pakistani JF-17 Thunder) (A)



01857 W72 FC-1 TRUMPETER © 2010

