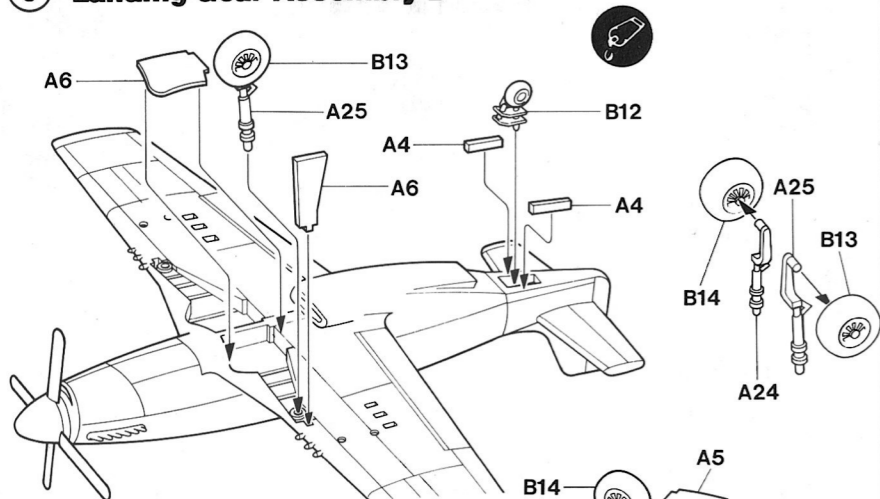
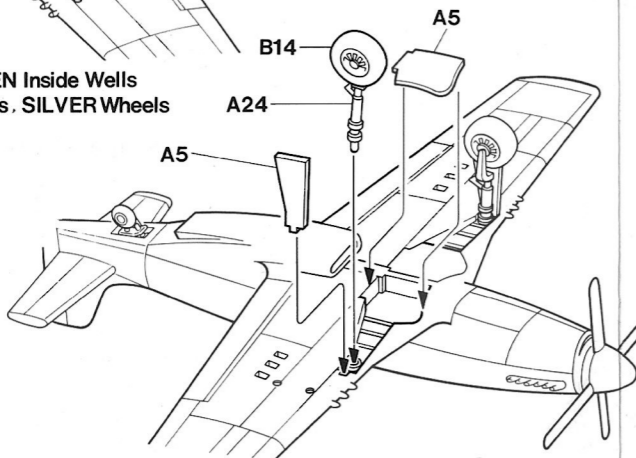


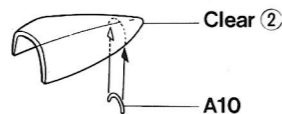
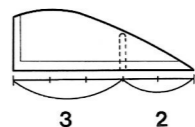
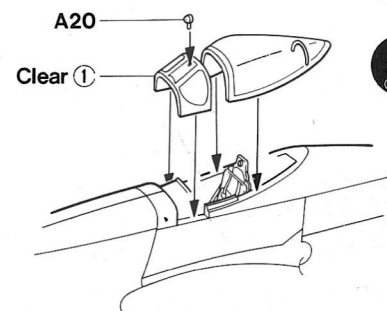
9 Landing Gear Assembly B



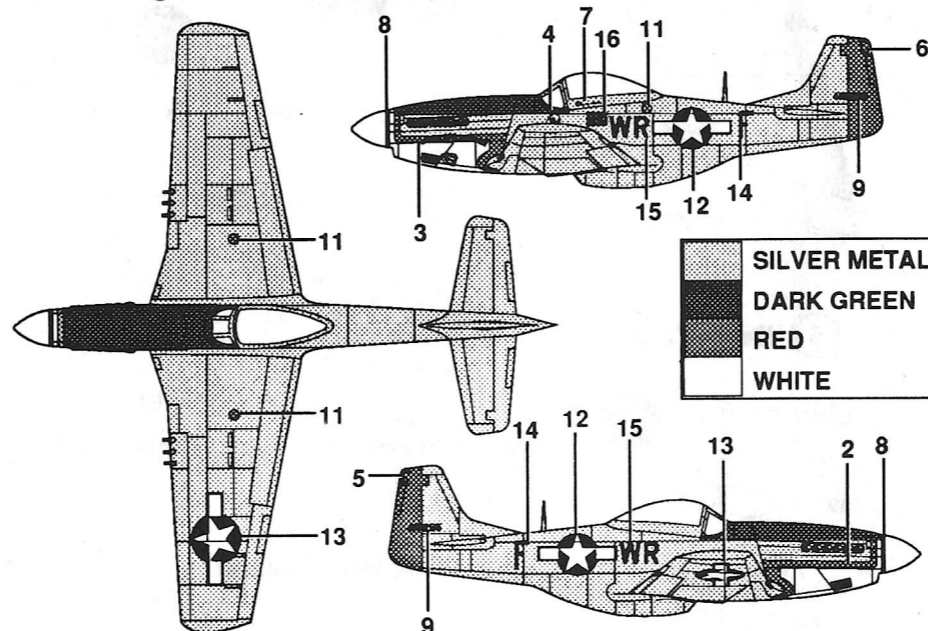
CHROMATE GREEN Inside Wells
FLAT BLACK Tires, SILVER Wheels



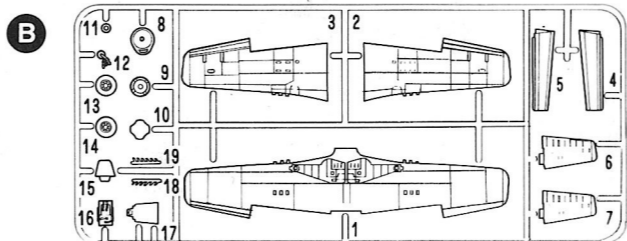
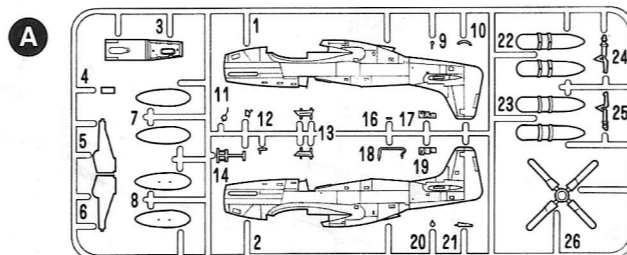
10 Canopy



Painting and Decal Placement



Parts Locating Diagram



ACADEMY
HOBBY MODEL KITS



NORTH AMERICAN P-51D MUSTANG

1/72 Scale

The controversy will never end, but of all the *World War II* fighter planes, the **P-51D Mustang** has to be regarded as the best all-around fighter. The Focke-Wulf 190 may have been a better dog-fighter; the A6M5 Zero was probably the most nimble, but the tremendous range, firepower and speed of the **Mustang** endeared it to all who flew this outstanding airplane. Designed in only 90 days for the RAF, the original A-36 design was a fair but not outstanding airplane. When the plane was wedded to the superb Rolls Royce Merlin engine, the results were phenomenal.

SPECIFICATION:

MAXIMUM SPEED:	437 mph at 25,000 feet
MAXIMUM RANGE:	950 miles at 362 mph
ARMAMENT:	Six .50 calibre machine guns
WINGSPAN:	37 feet
LENGTH:	32 feet, 3 inches
WEIGHT:	7,125 pounds empty, 10,100 loaded

2132



Cement Parts
Coller
Kleben
Pegar
Incollare
Collar
Kleben

Do Not Cement Parts
Ne Pas Coller
Nicht Kleben
No Pegar
Non Incollare
Não Colar
Niet Kleven

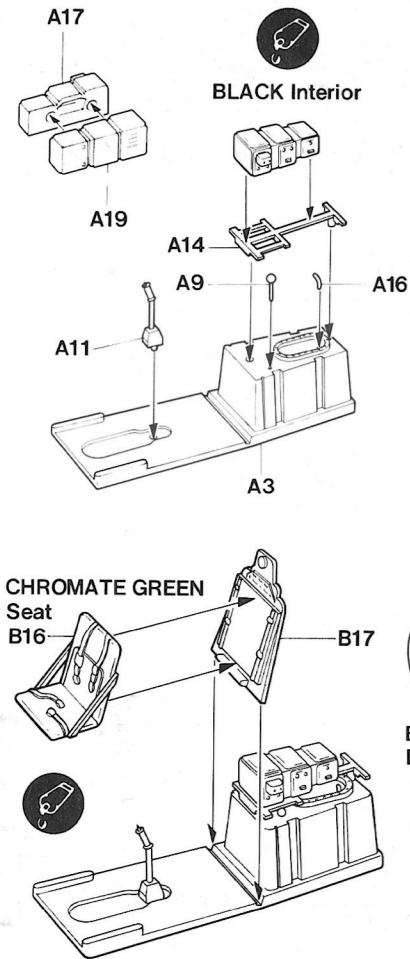
Cut Away
Couper
Schneiden
Cortar
Tagkare
Cortar
Snyden

Optional Parts
Chose
Auswahlmoglichkeit
Escoger
Opcao
Kauze

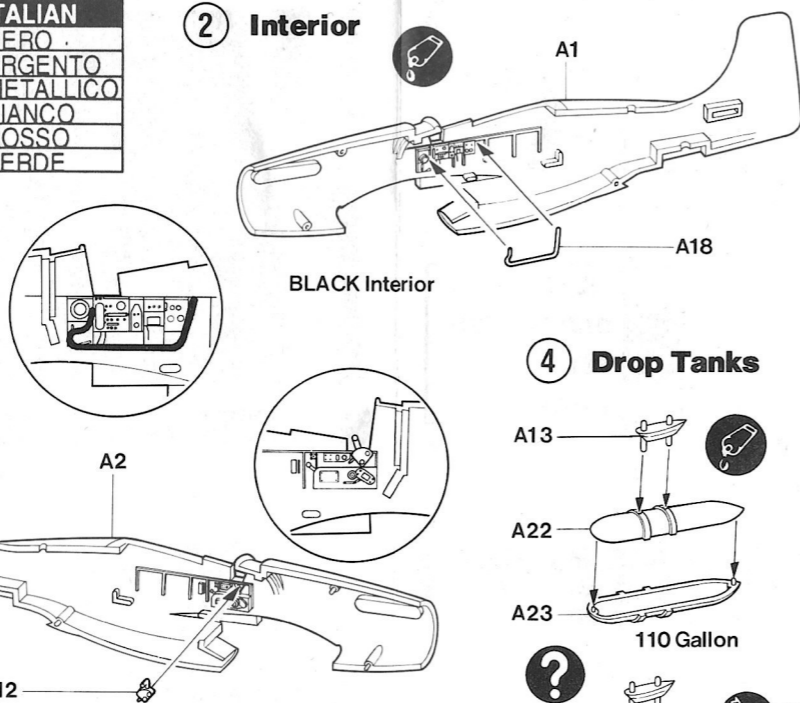
Repair Operation
Réparer l'opération
Vorgang Wiederholen
Reparir la operación
Repariere
Reparir a Operação
Herstellen

ENGLISH	FRENCH	GERMAN	SPANISH	ITALIAN
BLACK	NOIR	SCHWARZ	NEGRO	NERO
SILVER	ARGENT	SILBERN	PLATA	ARGENTO
GUNMETAL	METALLIC	METALLIC	METALICO	METALLICO
WHITE	BLANCO	WEISS	BLANC	BIANCO
RED	ROUGE	ROT	ROJO	ROSSO
GREEN	VERT	GRÜN	VERDE	VERDE

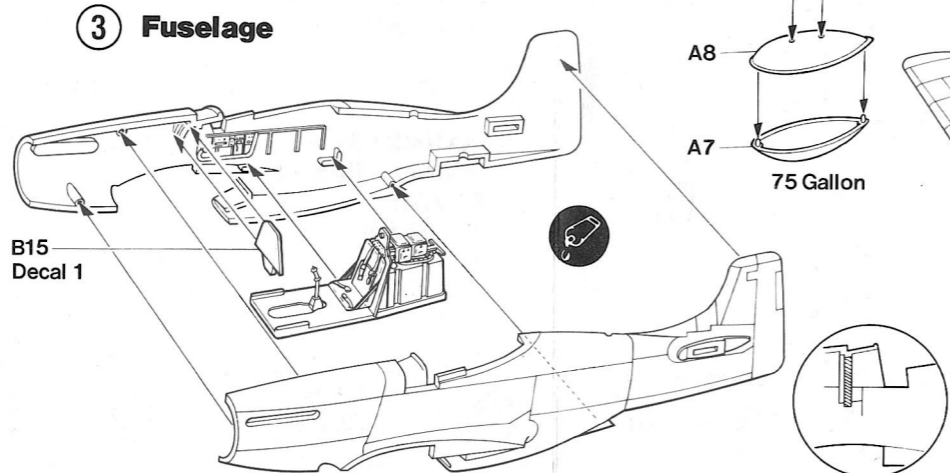
1 Cockpit



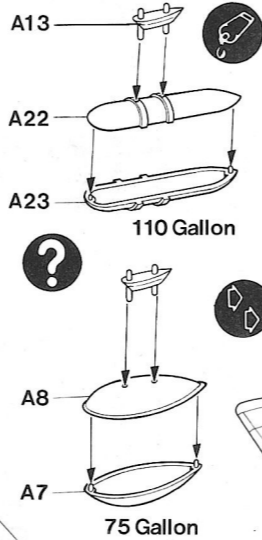
2 Interior



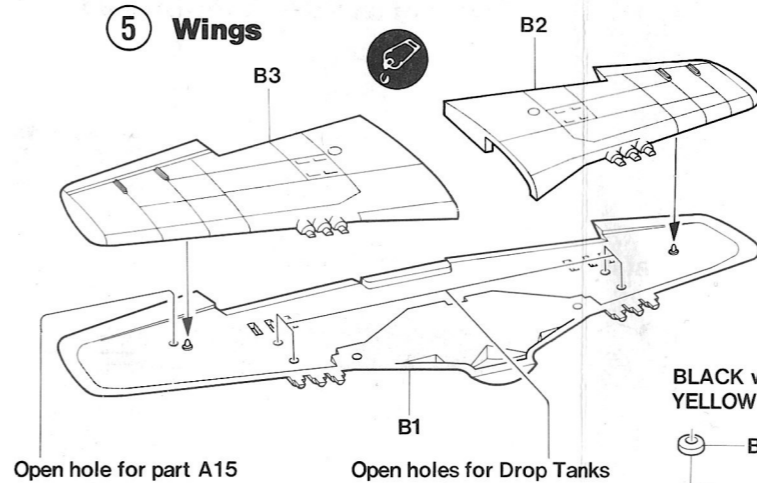
3 Fuselage



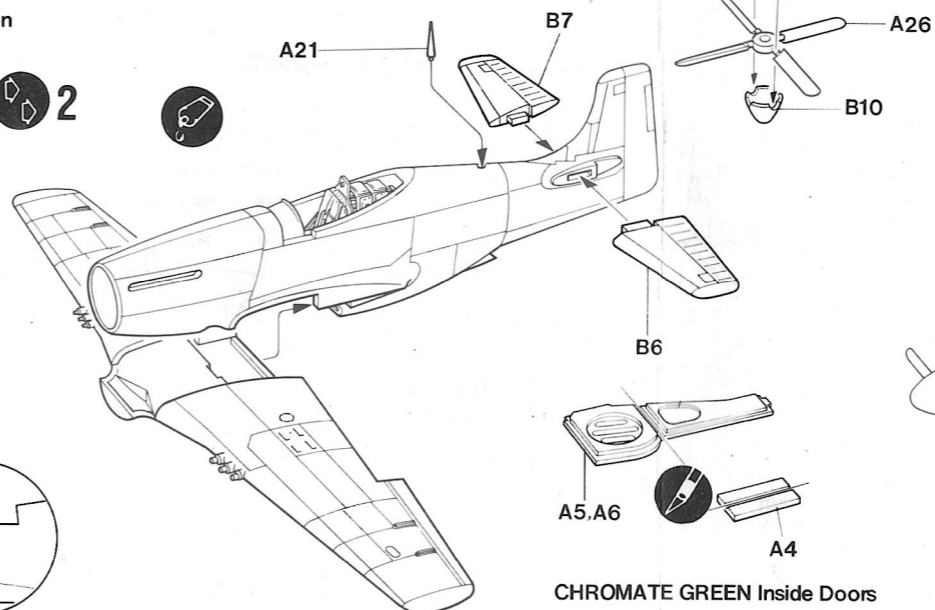
4 Drop Tanks



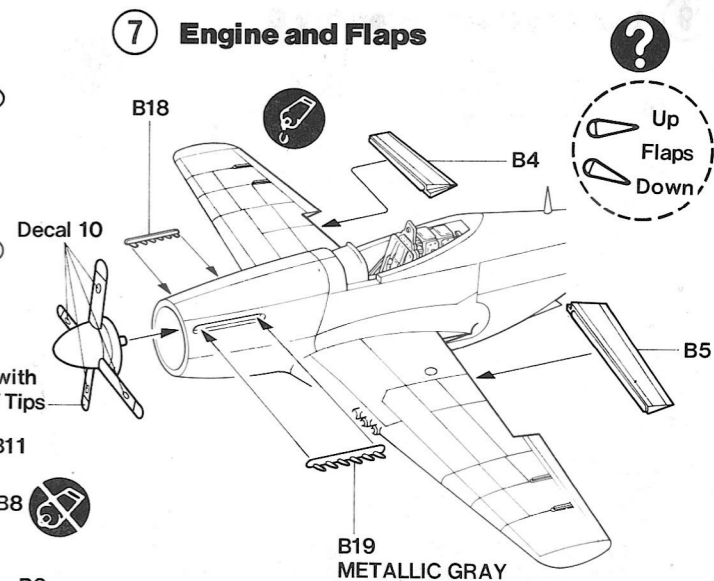
5 Wings



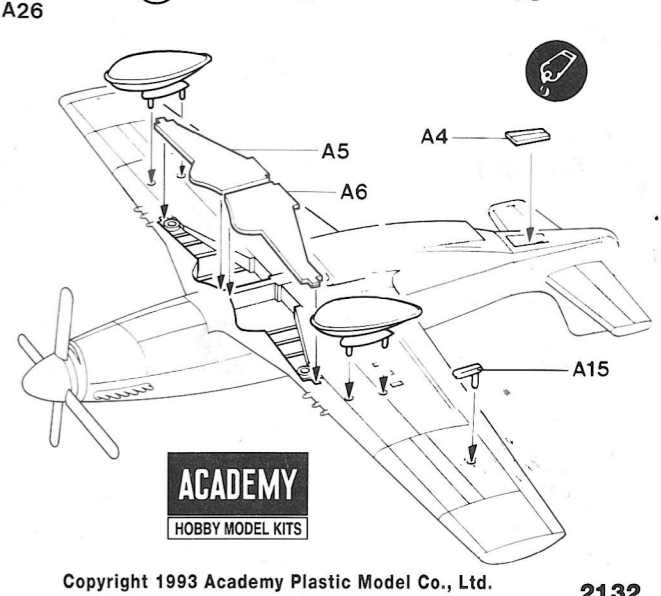
6 Wing Installation



7 Engine and Flaps



8 Landing Gear Assembly A



ACADEMY
HOBBY MODEL KITS