

3.7cm

ANTITANK GUN

PAK35/36

KIT NO.MM-135A



TAMIYA

MODEL RECTIFIER CORPORATION
EDISON, NEW JERSEY 08817

1/35 MILITARY MINIATURES SERIES



German 3.7 cm Anti-tank Gun (PAK-35/36, L/45)

World War I brought into action two kinds of new weapons which did not prove their merits during the war but were to play the leading part in the next world war. They were, needless to say, the aircraft called "Flying Cage" and the tank called "Moving Steel Box".

The development of the new weapons was continued also after the war and, from the very nature of things, defensive weapons against them were also developed at the same time. Weapons against the tank appeared before long. They were the large-calibre shell "mine" buried in the ground and the gun with high muzzle velocity.

In the first few years of the 1930s when the tank improved its ability and tank tactics was established accordingly, some people came to nurse a new idea that the tank should be put against the tank but the army authorities of most countries stuck to the conventional idea that the gun should be put against the tank.

It was in 1934 that the German Army ordered Rheinmetall A.G to develop a new 3.7 cm anti-tank gun. Rheinmetall ranked beside Krupp as the biggest gun maker of Germany and already manufactured the first 3.7 cm anti-tank rapid firer in 1918.

In 1935, Rheinmetall finished designing the new anti-tank gun. The overall weight was 450 kg. Having two rubber-tyred wheels, torsion-bar suspension system and two rear trail legs, the gun could be easily moved by only a few men. A gun shield of 4 mm thickness was fixed for the protection of the gun crew. The gunner was on the left side of the gun and could traverse it by 60° both ways, elevate by 25° and depress by 8°. The loader was on the right side of the horizontal

sliding breech block and the gun could make continuous fire at a rate of 15 rounds per minute.

The 3.7 cm gun which was 45 calibres long had a muzzle velocity of 762 metres per second (when firing an armour-piercing projectile) and penetrated a 48 mm armour plate standing erect at a distance of 457 metres.

The 3.7 cm anti-tank gun was immediately accepted by the German Army and officially designated Anti-tank Gun Model 35/36 (PAK 35/36). In 1936, the Germans began to deliver the gun to the anti-tank gun company of each division as its standard equipment. It is reported that the excellent design of the then typical anti-tank gun exerted a great influence on the progress of anti-tank guns in the Soviet Union, the United States and Japan.

As a new tungsten-cored projectile (AP40) was produced in 1940, the muzzle velocity increased to 1,030 metres per second and the penetration to 51 millimetres.

In the Operation Barbarossa which started in 1941, the 3.7 cm gun was not able to destroy the strong armour of Russian tanks and got the dishonourable nickname of "Door Knocker". The gun was kept away from the first line until a hollow-charge stick bomb (Stielgranate-42) of the muzzle-loading type was completed at the last stage of World War II.

For years until the middle stage of World War II, the anti-tank gun was mounted on the half-track type armoured personnel carrier Sd.Kfz 251/10 that was long used as platoon leader's vehicle of the tank grenadier company.

by courtesy of Akira Kikuchi

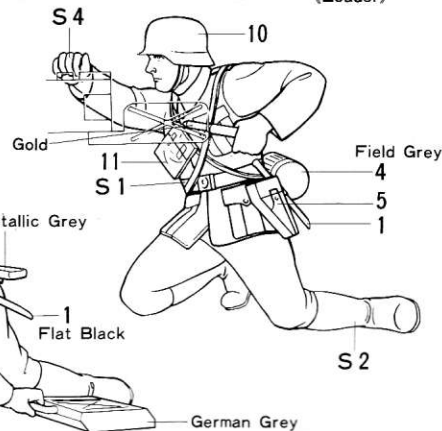
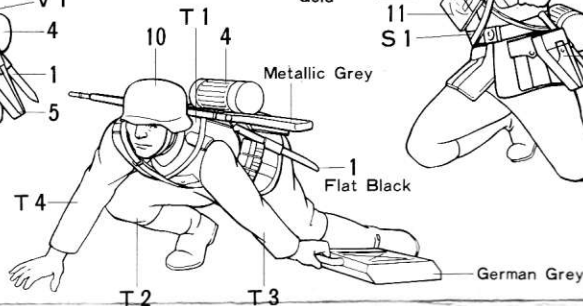
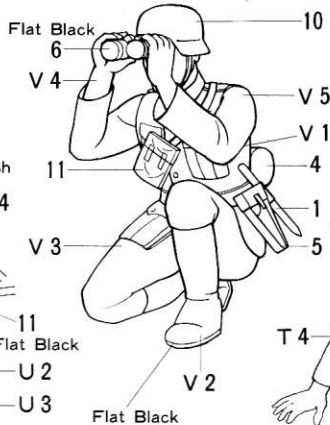
⟨Gunner⟩

⟨Commander⟩

⟨Supplier⟩

⟨Loader⟩

Fix Range-Finder Case 9 to the left of the belt.



⟨Painting of 3.7 cm Anti-Tank Gun⟩

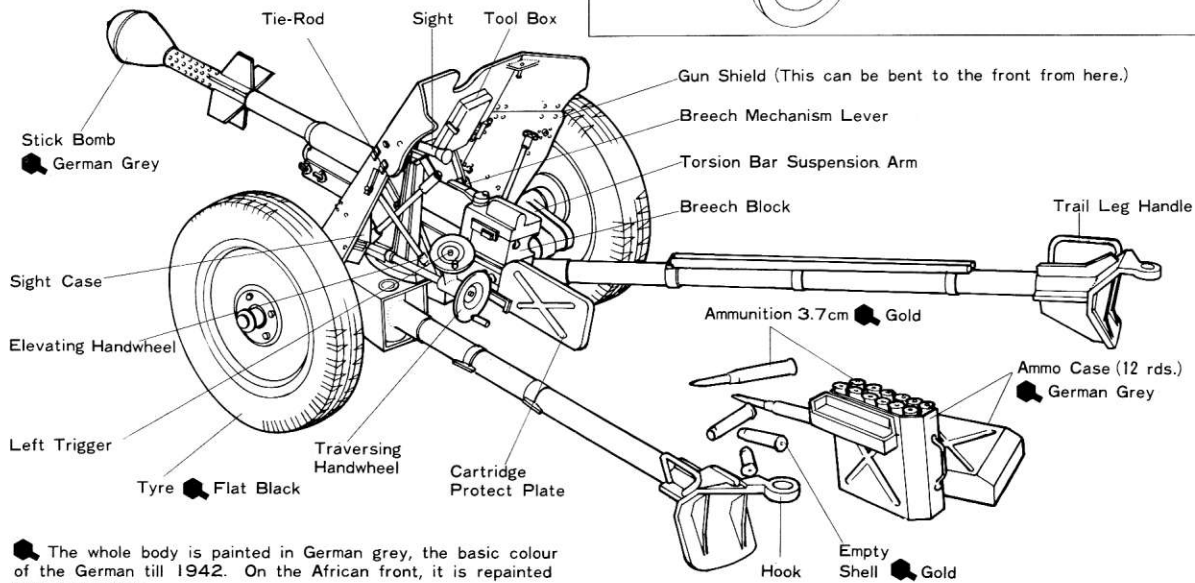
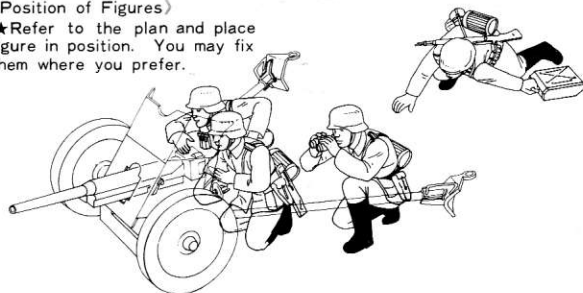
In the year of 1942, German military weapon were painted in a single German grey colour. And some 3.7cm anti-tank guns were used on the African front, and they used to carry dark yellow colour on the German grey base.

⟨Paint to be used⟩

- Flat Black
- German Grey
- Gold
- Dark Yellow
- Field Grey
- Flesh

⟨Position of Figures⟩

★Refer to the plan and place figure in position. You may fix them where you prefer.



☛ The whole body is painted in German grey, the basic colour of the German till 1942. On the African front, it is repainted into dark yellow.



Please read
this before
commencing
assembly.

★Study the instructions and photographs before commencing assembly.

★The actual 3.7cm gun was used not only as the 3.7cm gun itself but also as the mounted gun on various vehicles. This kit includes the MOUNT PARTS which makes it specially easy if you are going to house the gun onto the TAMIYA's Hanomag model, Military Miniatures Series No.20. If you decide to enjoy this conversion, follow the instructions from step 1 to 3 first, and proceed to (How to use Accessory Parts) at the bottom of this page.

★You will need a sharp knife, a pair of pliers, and a file.

★Do not break parts away from sprue, but cut off carefully with a pair of pliers.

★Painting Your Model

As well as improving the reality of your completed model, painting will give you greater satisfaction to make your own model. Moreover, paint coat ensures a good application of decals.

■ This mark indicates a recommended colour scheme.

(Construction of 3.7cm Gun)

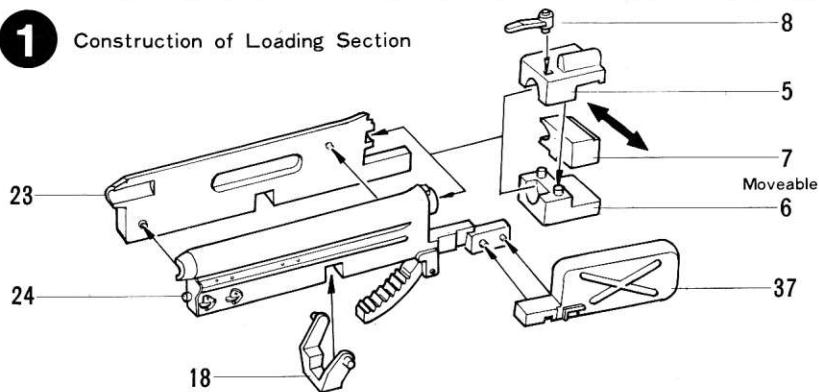
Follow each construction steps from 1 to 3. And if you want to mount this model onto TAMIYA's Hanomag model and assemble Sd.Kfz 251/10, proceed from the step 3 to (How to use Accessory Parts) at the bottom of this page.

(What is Stick Bomb?)

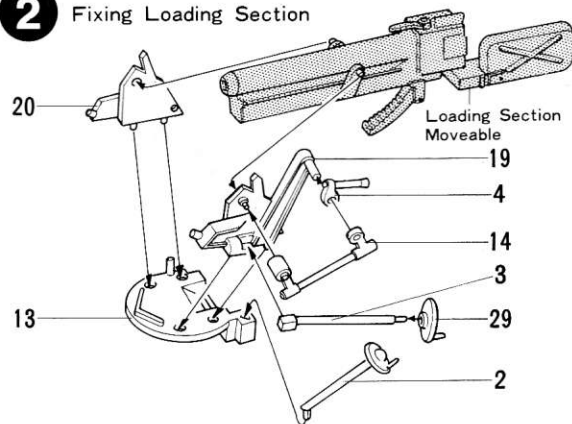
The actual German 3.7cm anti-tank gun could discharge both normal ammunition and the stick bomb. This stick bomb was developed in order to take place of the existing ammunition which had lost its penetrating power because of the reinforced armour on enemy tanks.

It was discharged by being fitted over the barrel with using a normal shot.

1 Construction of Loading Section

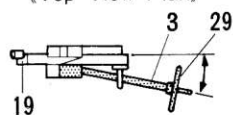


2 Fixing Loading Section

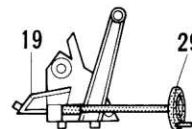


★When you fix parts 29 & 3, refer to the plans below and cement in position.

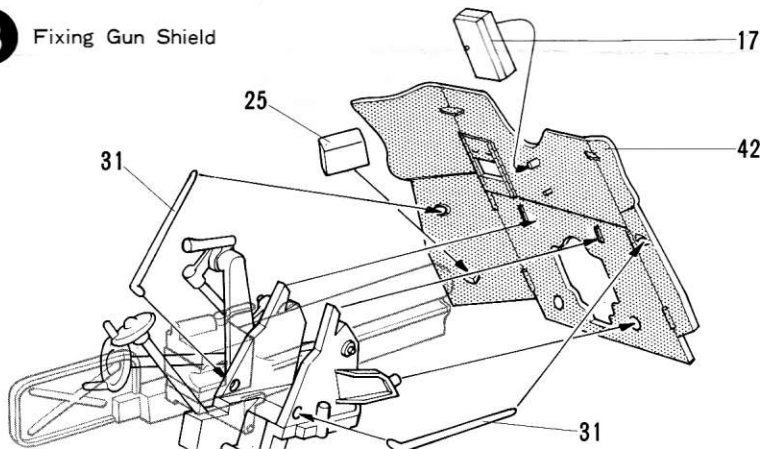
(Top View Plan)



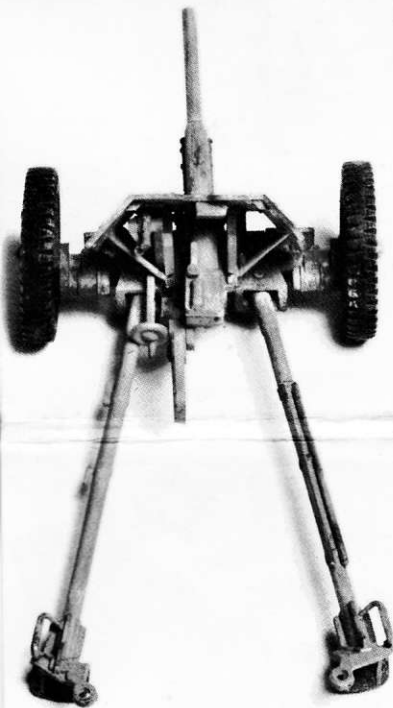
(Side View Plan)



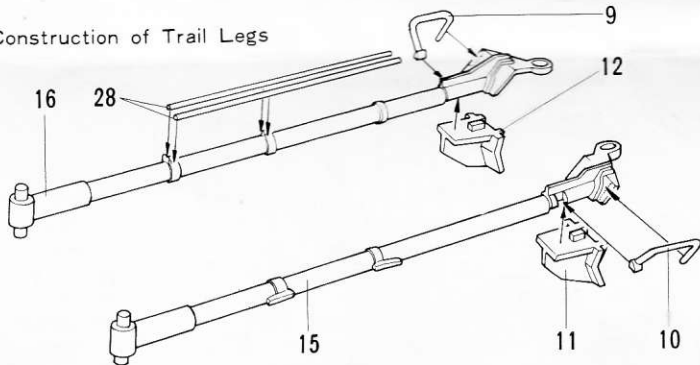
3 Fixing Gun Shield



It exploded by the shock when it hit the enemy tank, and penetrated armour by bursting on the outside and directing a jet of gas, molten metal, and burnt inside.

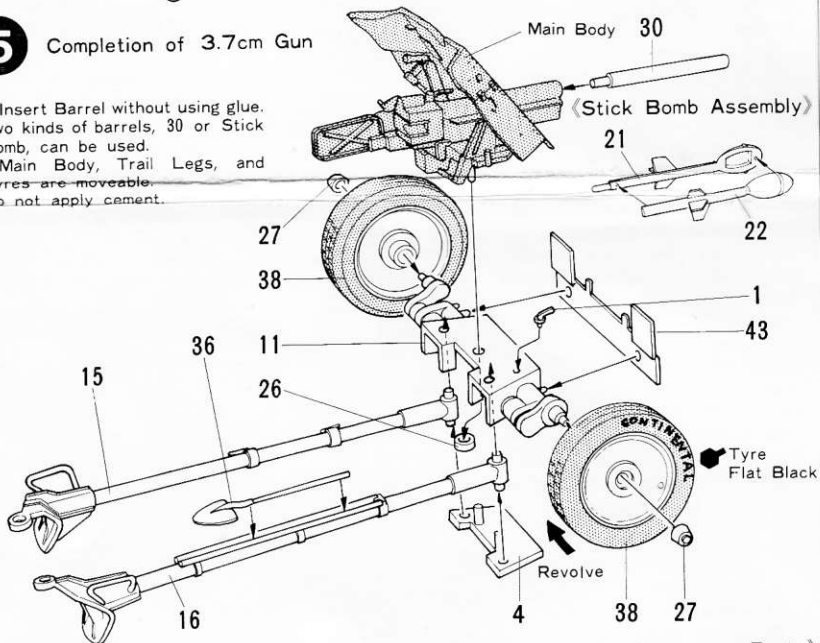


4 Construction of Trail Legs

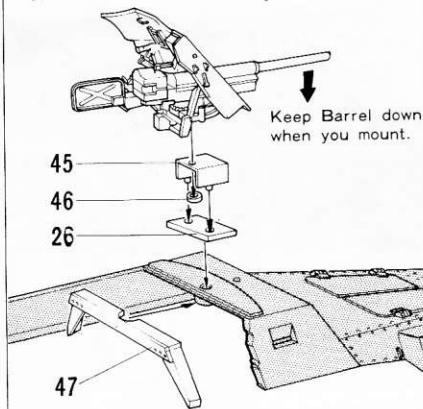


5 Completion of 3.7cm Gun

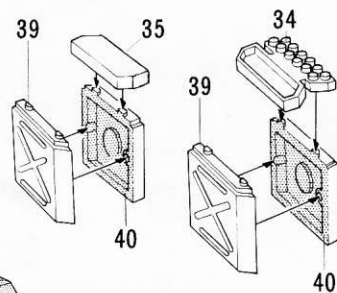
★Insert Barrel without using glue. Two kinds of barrels, 30 or Stick Bomb, can be used.
★Main Body, Trail Legs, and Tyres are moveable. Do not apply cement.



《How to use Accessory Parts》



《Construction of Accessory Parts》



Upper Hull of Hanomag
(This part is not included in this kit)

