

eduard

LIMITED EDITION

SUPERBUG

1/48



INSTRUCTION SHEET



ATTENTION



UPOZORNĚNÍ



ACHTUNG



ATTENTION



注意



Carefully read instruction sheet before assembling. When you use glue or paint, do not use near open flame and use in well ventilated room. Keep out of reach of small children. Children must not be allowed to suck any part, or pull vinyl bag over the head.



Před započítím stavby si pečlivě prostudujte stavební návod. Při používání barev a lepidel pracujte v dobře větrané místnosti. Lepidla ani barvy nepoužívejte v blízkosti otevřeného ohně. Model není určen malým dětem, mohlo by dojít k požití drobných dílů.

INSTRUCTION SIGNS * INSTR. SYMBOL * INSTRUKTION SINNBILDEN * SYMBOLES * 記号の説明

OPTIONAL
VOLBABEND
OHNOUTSAND
BROUSITOPEN HOLE
VYVRTAT OTVORSYMETRICAL ASSEMBLY
SYMETRICKÁ MONTÁŽREMOVE
ODŘÍZNOUTREVERSE SIDE
OTOČITAPPLY EDUARD MASK
AND PAINT
POUŽIT EDUARD MASK
NABARVIT

PARTS



DÍLY



TEILE

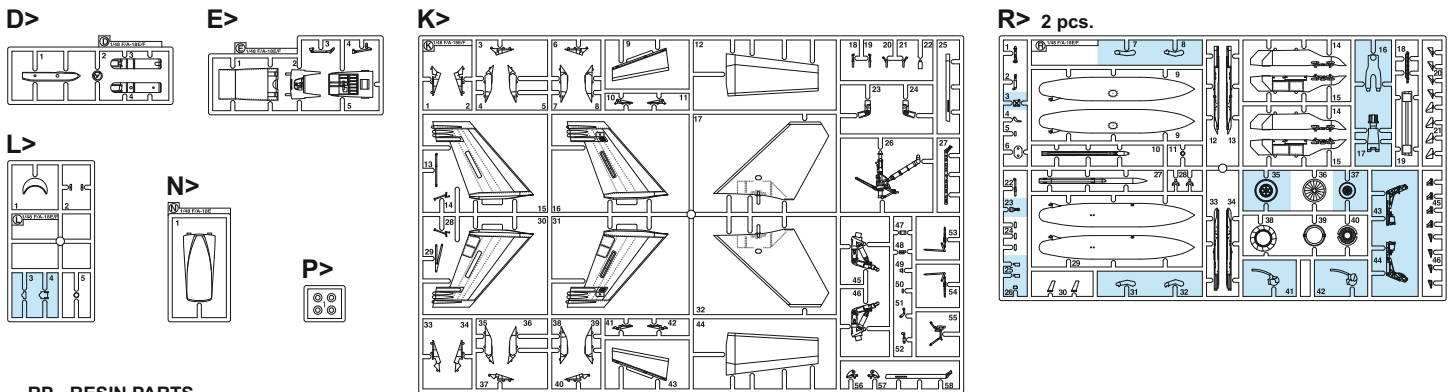
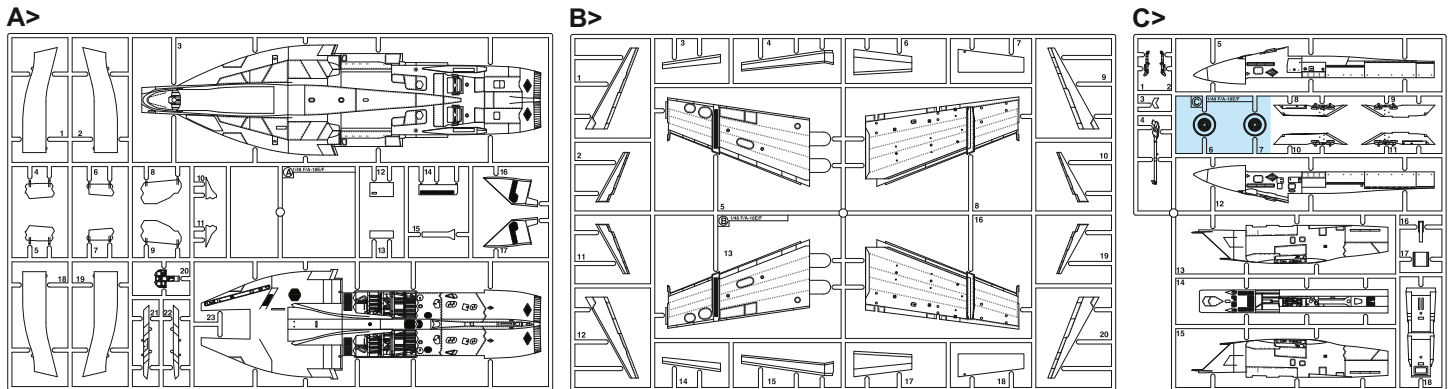


PIÈCES



部品

PLASTIC PARTS



RP - RESIN PARTS

eduard
BRASSINRP1
2 pcs.RP2
2 pcs.

RP3



RP4



RP5

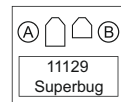
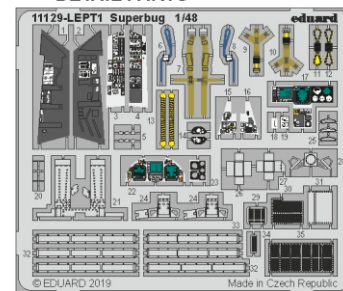
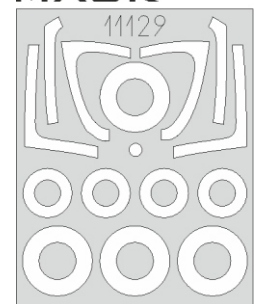


RP6



RP7

FILM

PE - PHOTO ETCHED
DETAIL PARTSeduard
MASK

-Parts not for use. -Teile werden nicht verwendet. -Pièces à ne pas utiliser. -Tyto díly nepoužívejte při stavbě. - 使用しない部品

COLOURS



BARVY



FARBEN



PEINTURE

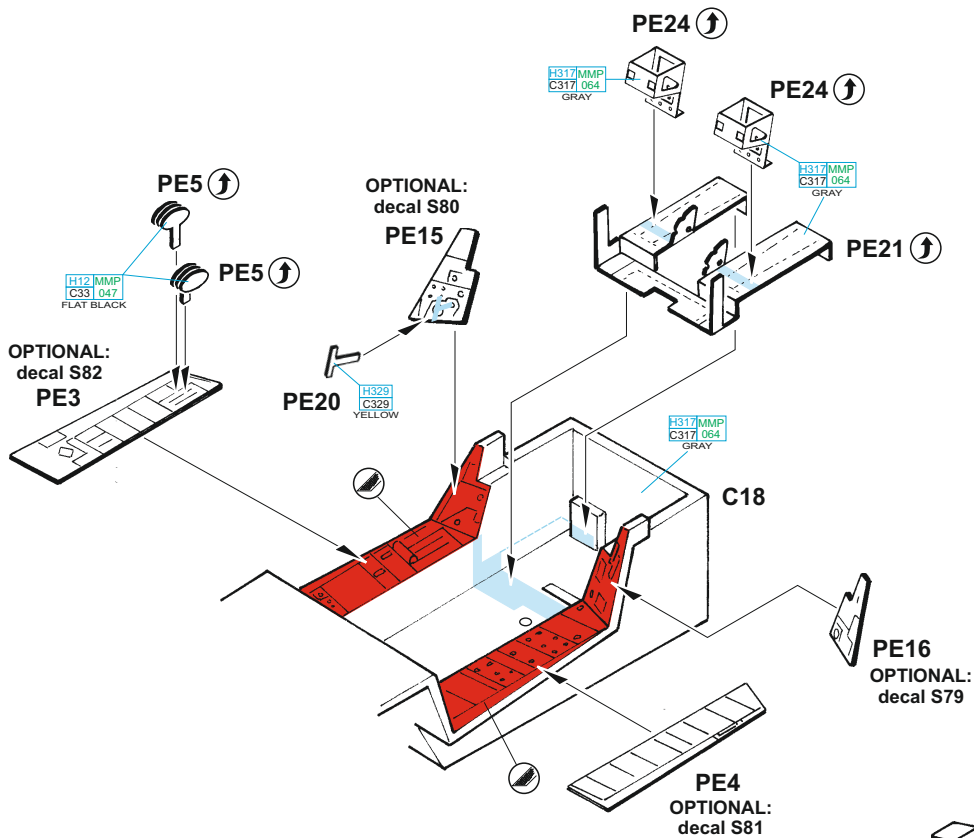


色

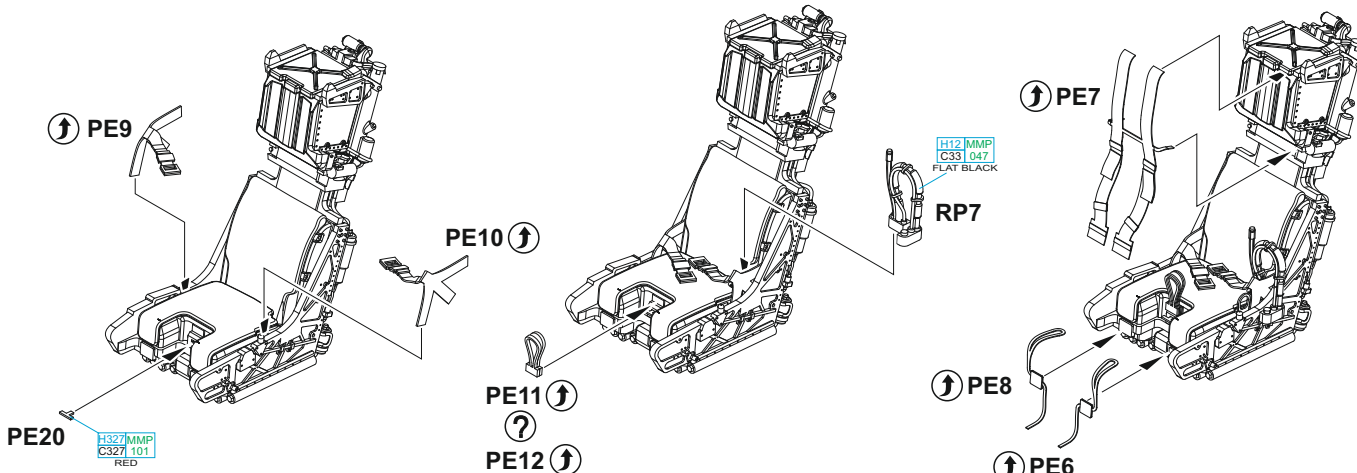
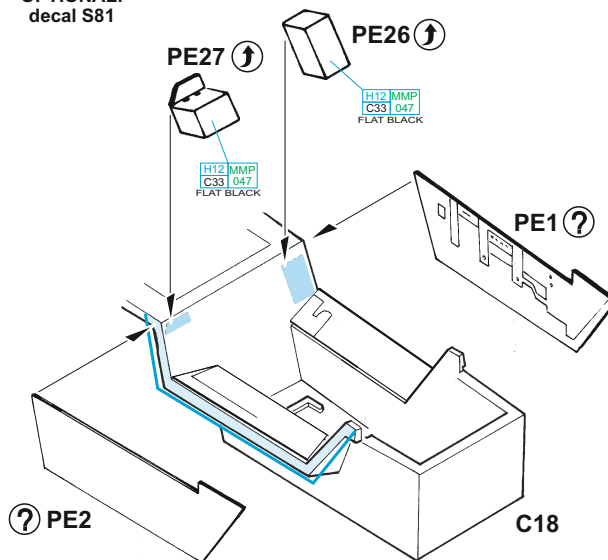
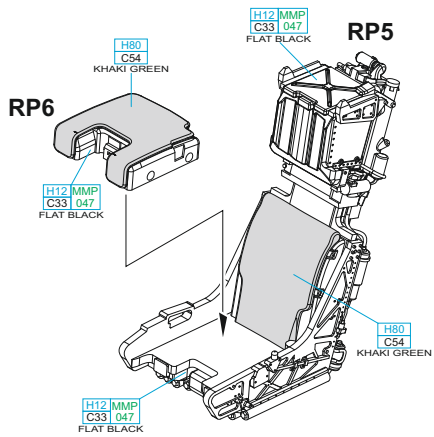
GSI Creos (GUNZE)		MISSION MODELS	
AQUEOUS	Mr.COLOR	PAINTS	
[H12]	[C33]	[MMP-047]	FLAT BLACK
[H14]	[C59]	[MMP-005]	ORANGE
[H77]	[C137]	[MMP-040]	TIRE BLACK
[H80]	[C54]		KHAKI GREEN
[H90]	[C47]		CLEAR RED
[H307]	[C307]	[MMP-074]	GRAY
[H308]	[C308]	[MMP-073]	GRAY
[H316]	[C313]	[MMP-104]	WHITE
[H317]	[C317]	[MMP-064]	GRAY

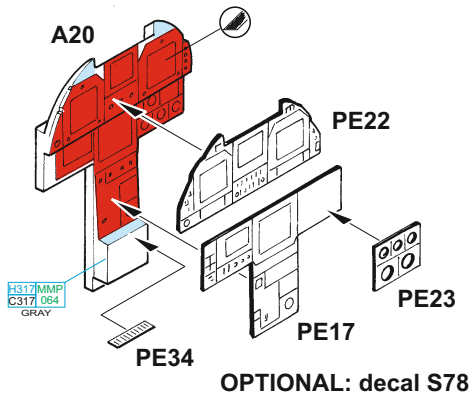
GSI Creos (GUNZE)		MISSION MODELS	
AQUEOUS	Mr.COLOR	PAINTS	
[H326]	[C326]		BLUE
[H327]	[C327]	[MMP-101]	RED
[H329]	[C329]		YELLOW
Mr.METAL COLOR		METALLICS	
[MC213]		[MMM-006]	STEEL
[MC214]		[MMM-001]	DARK IRON
Mr.COLOR SUPER METALLIC		METALLICS	
[SM01]		[MMC-001]	SUPER CHROME

A



B eduard BRASSIN

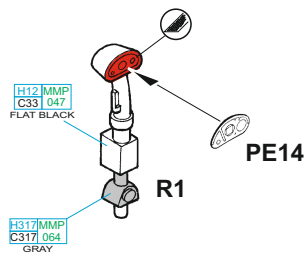
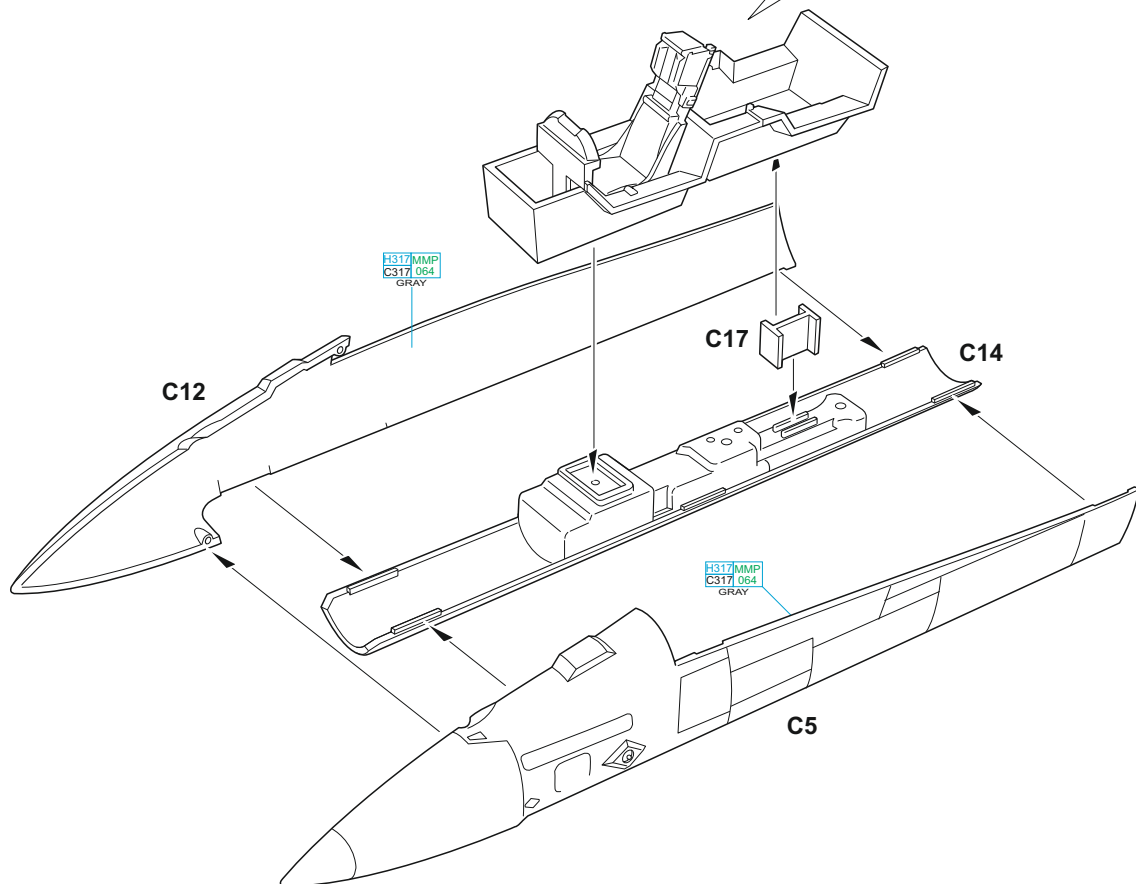


C

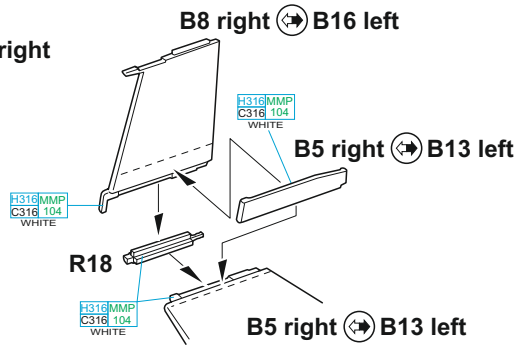
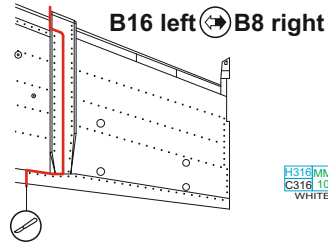
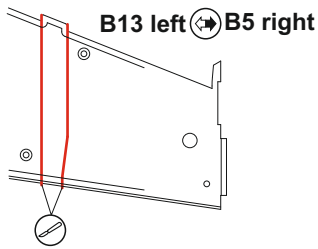
decal S67

decal S63

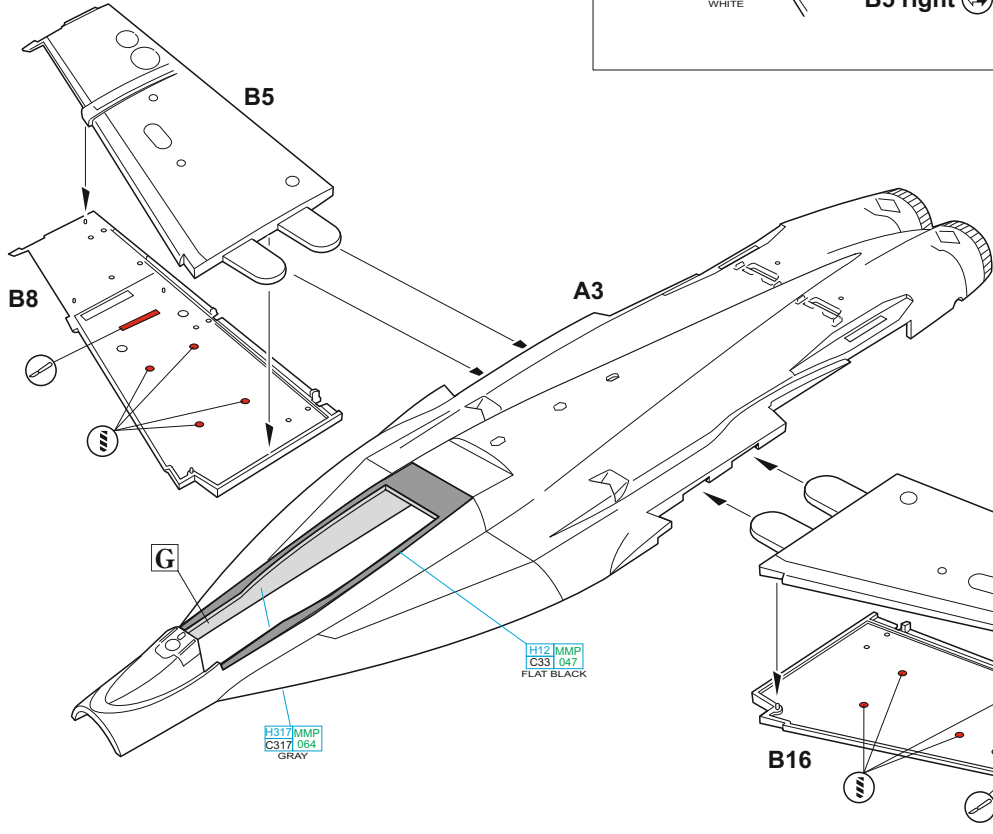
decal S66

D**E**

? FOR FOLDED WINGS ONLY

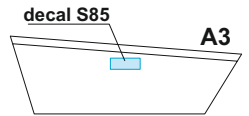


F

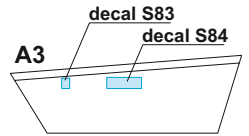


G

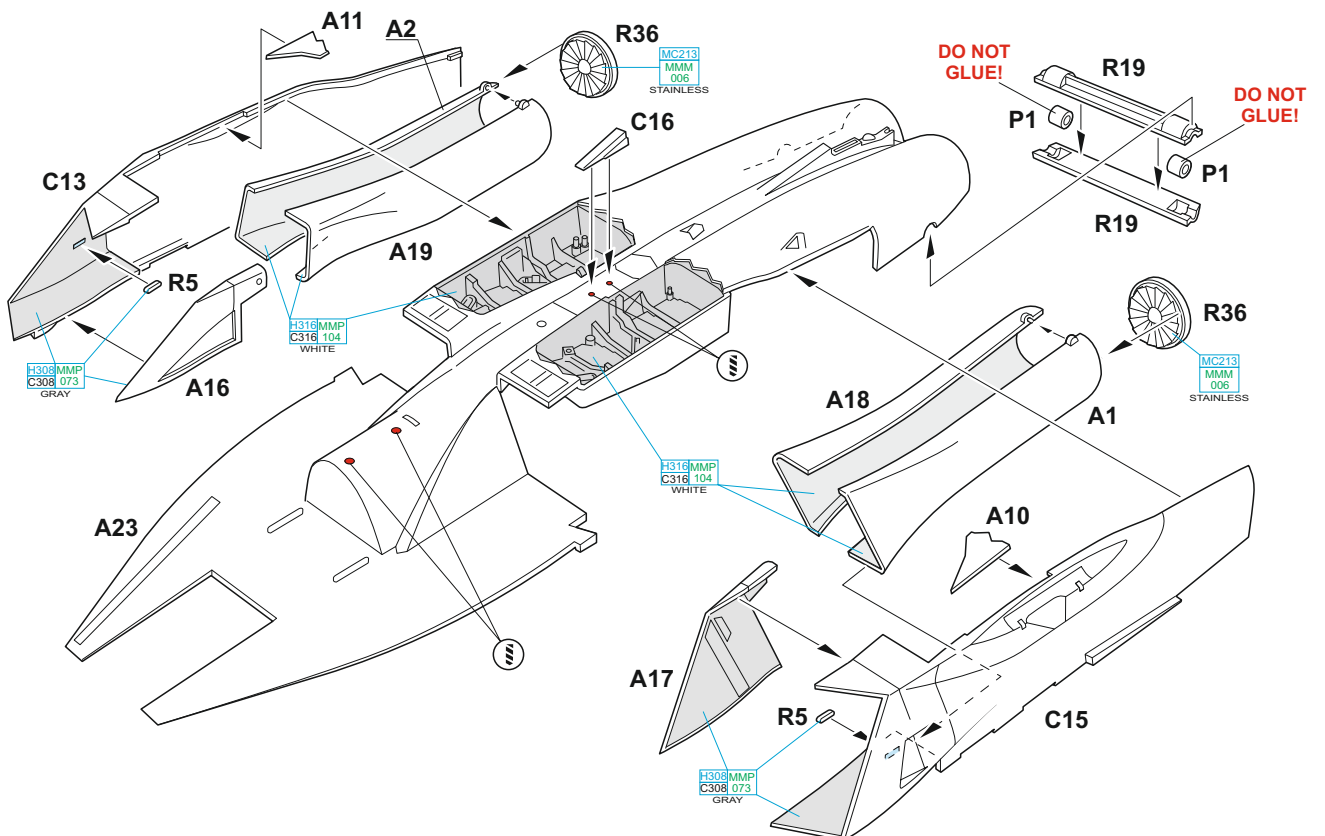
PORT SIDE

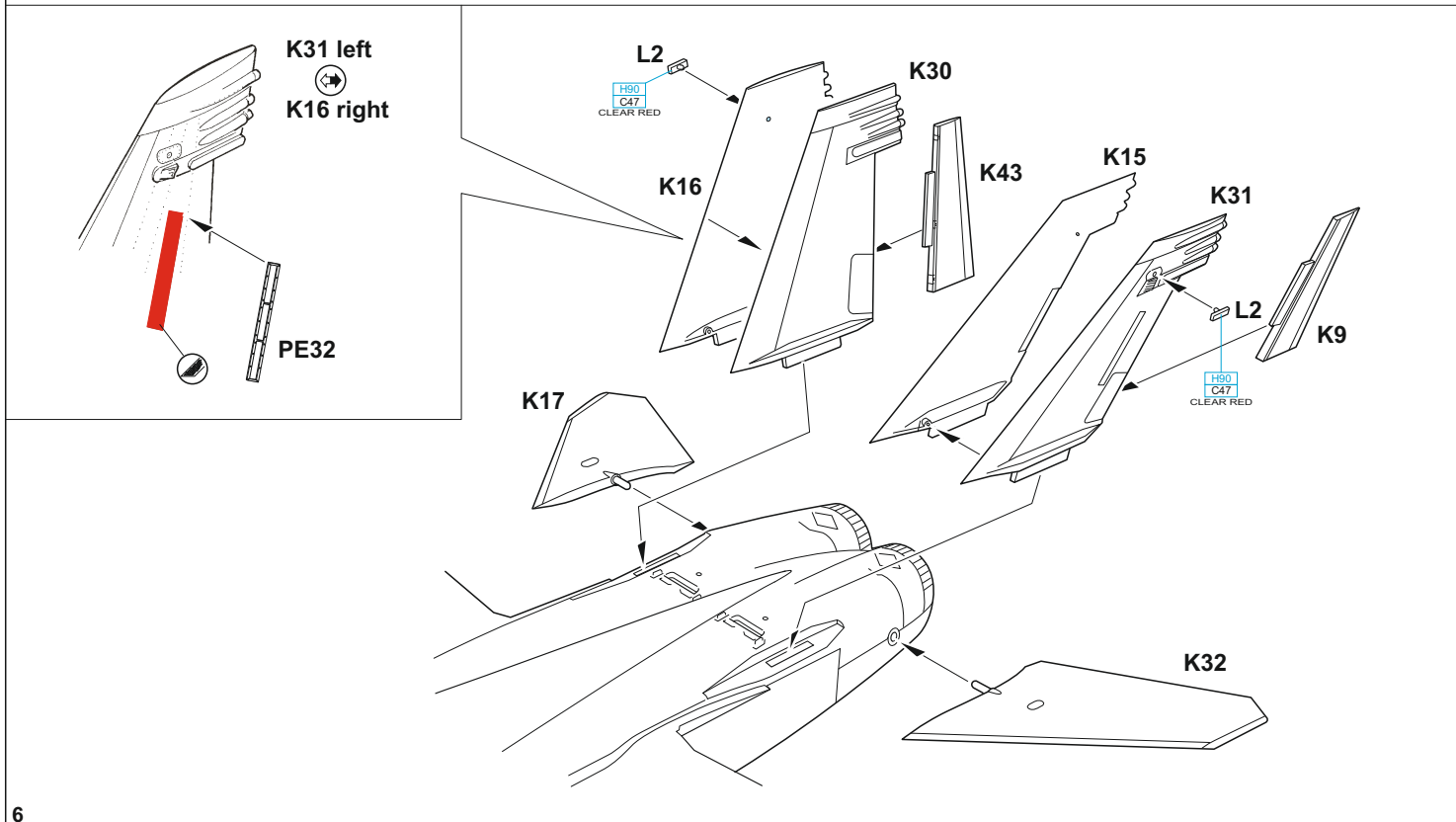
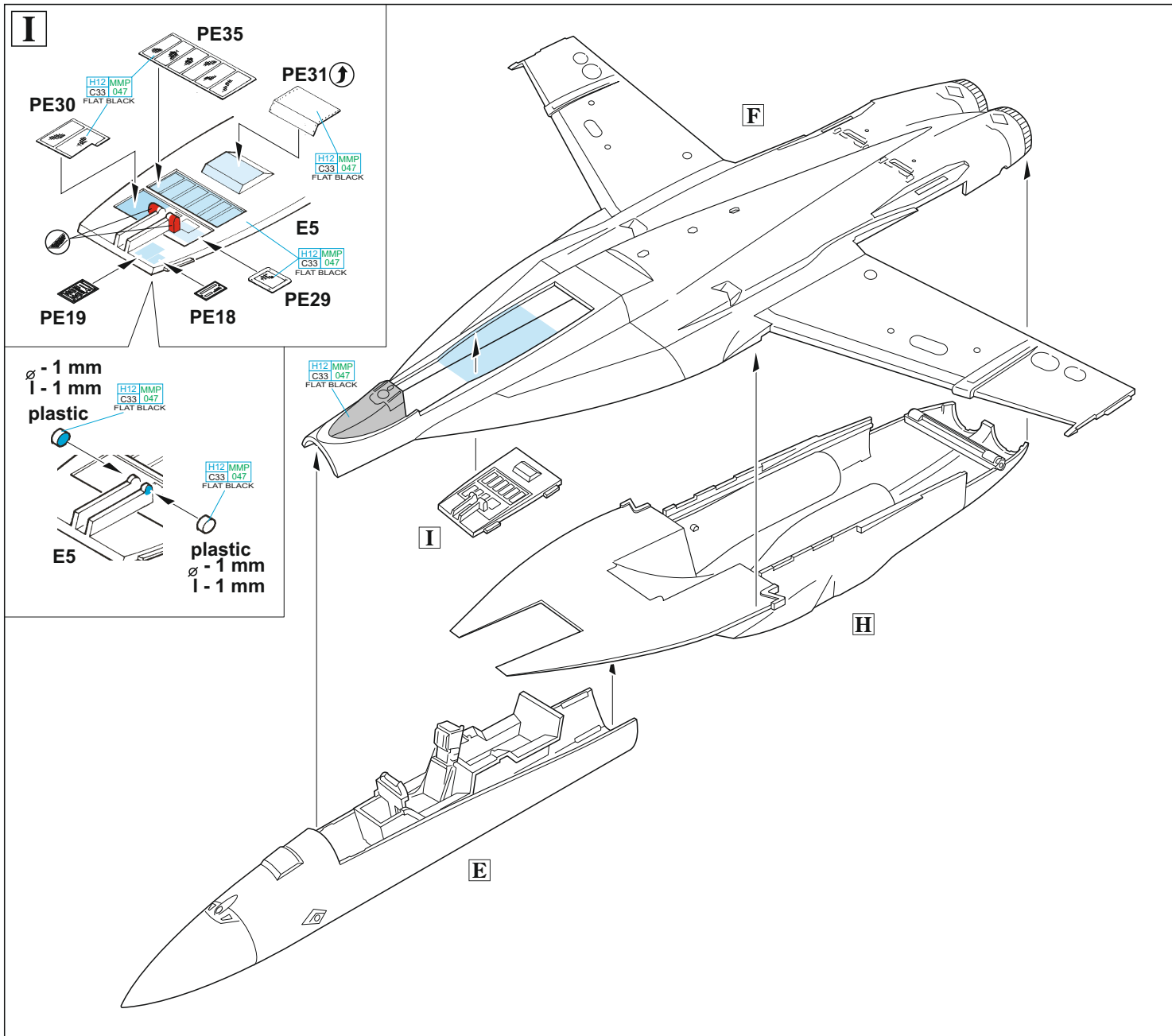


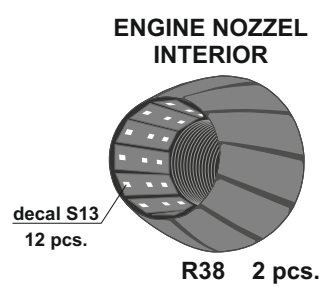
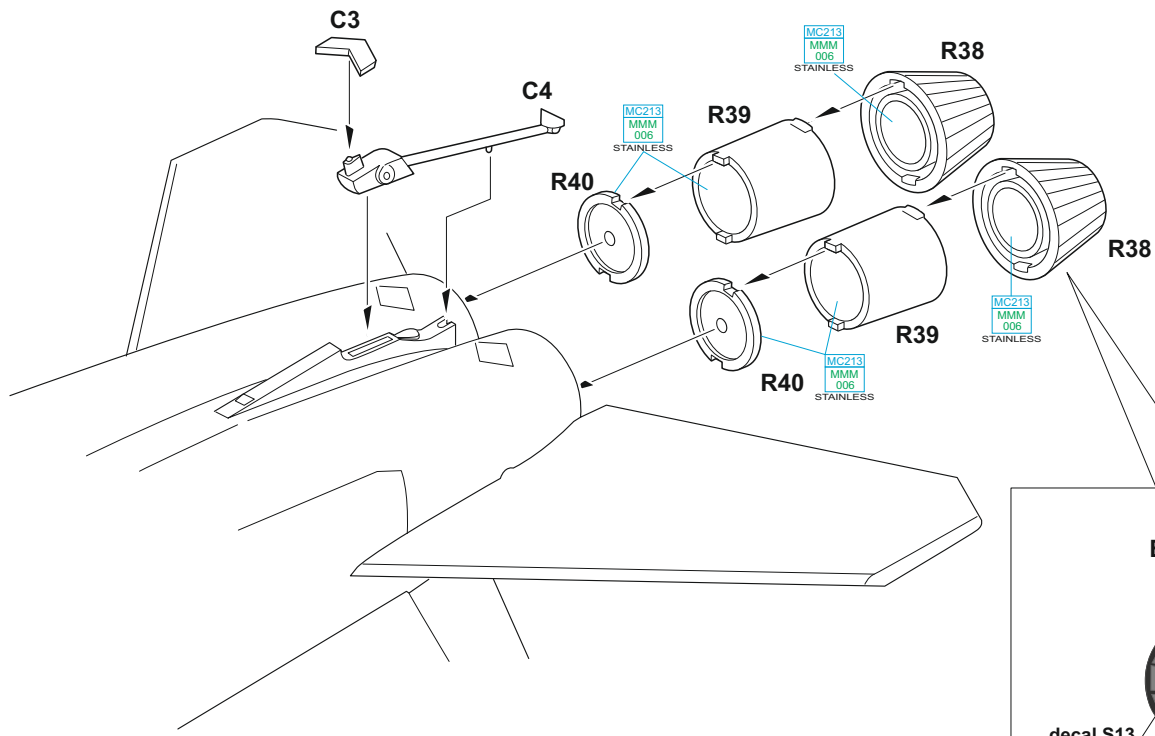
STARBOARD SIDE



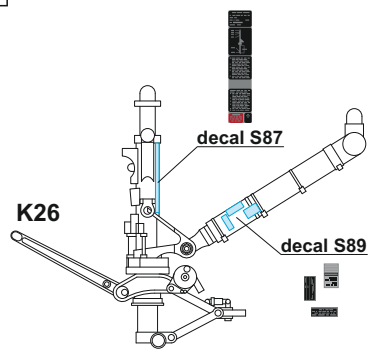
H







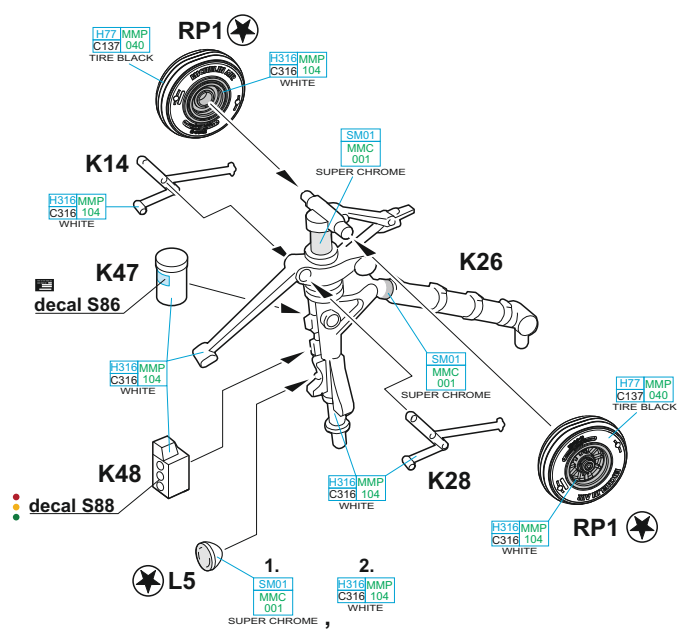
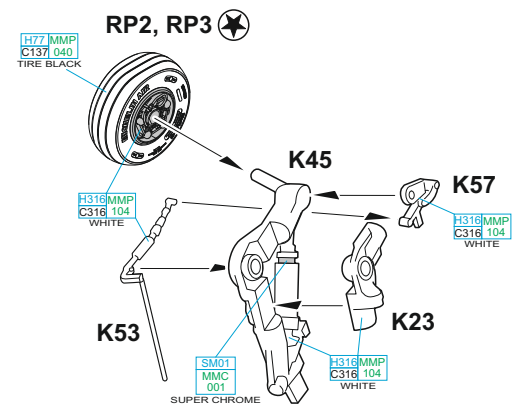
J **eduard**
BRASSIN



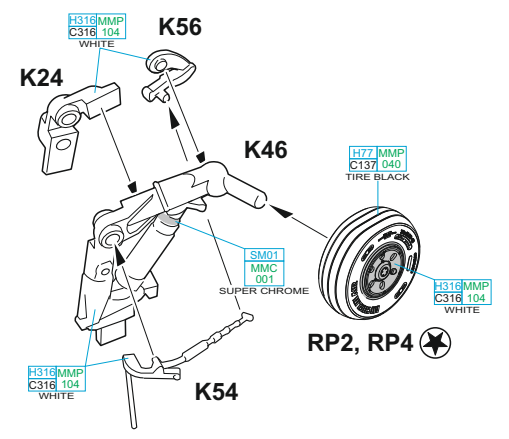
eduard
BRASSIN



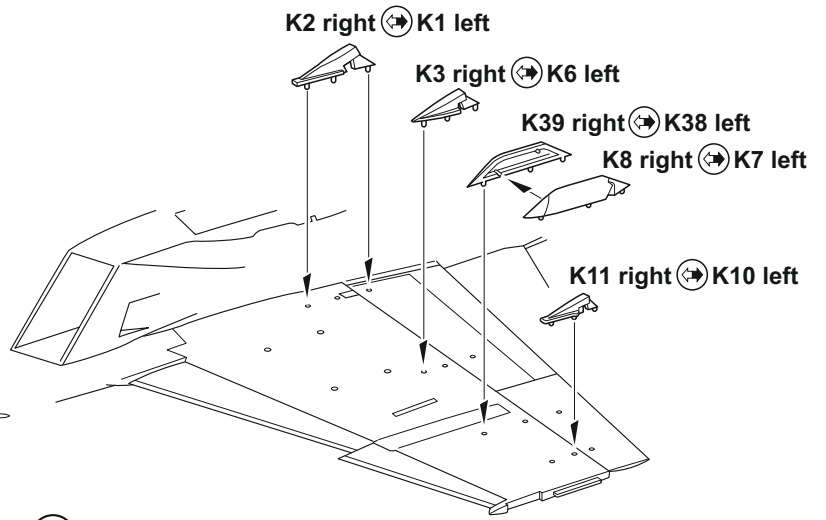
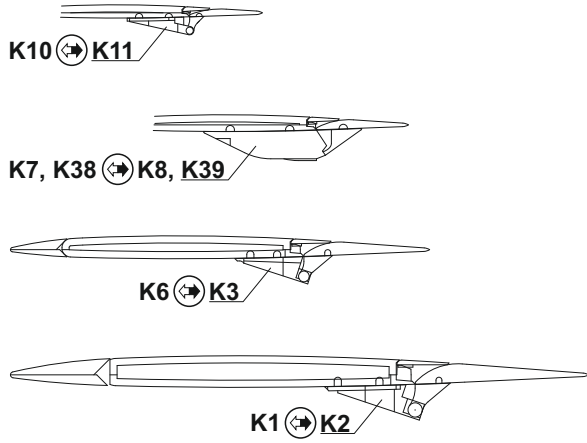
K



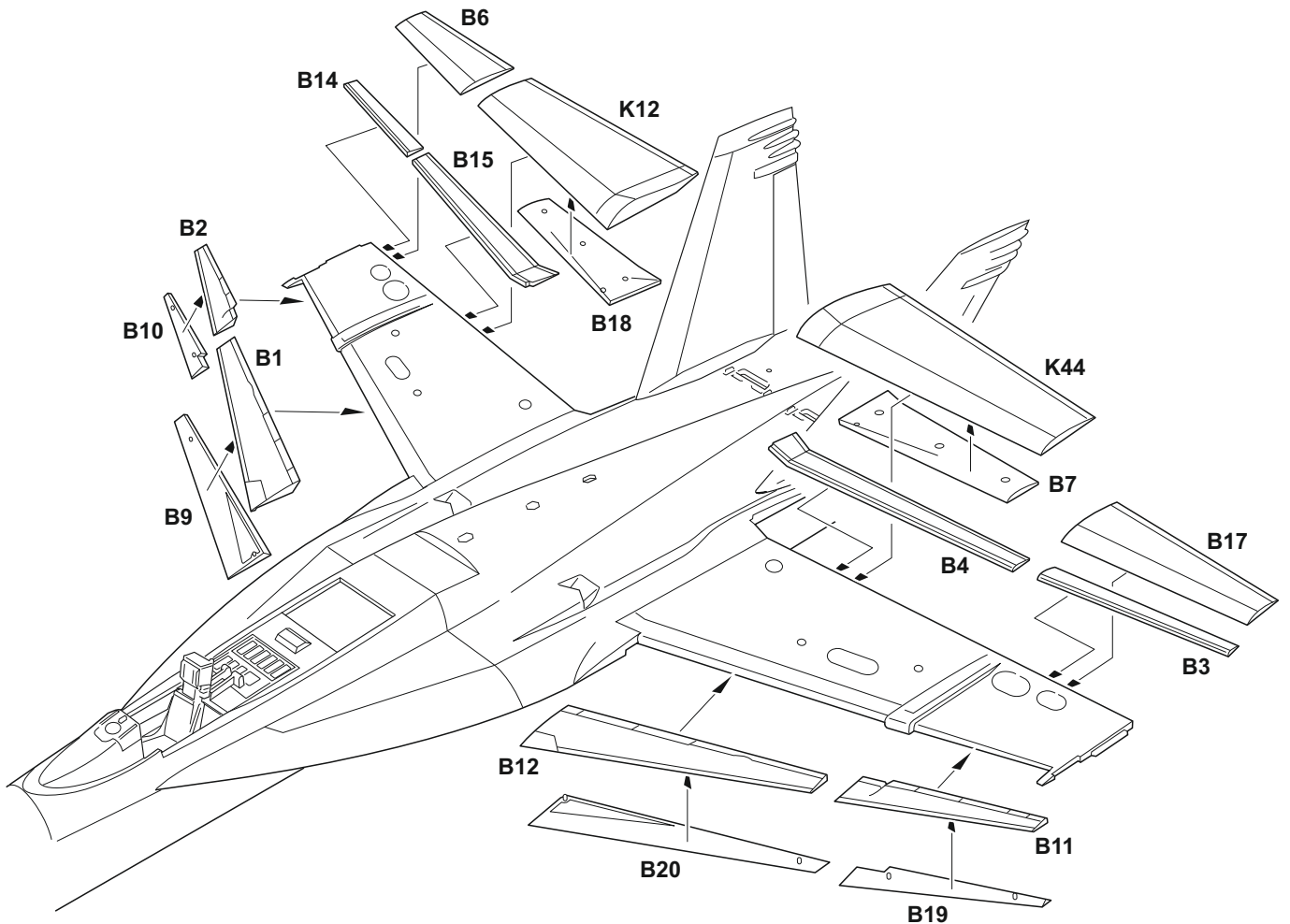
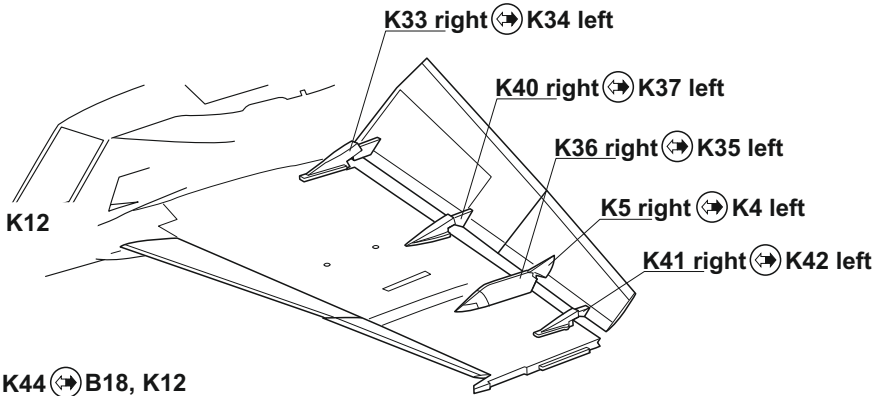
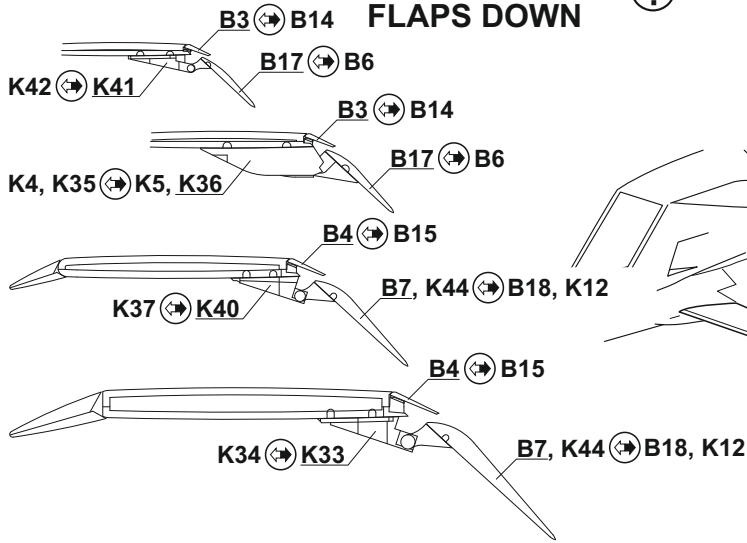
L

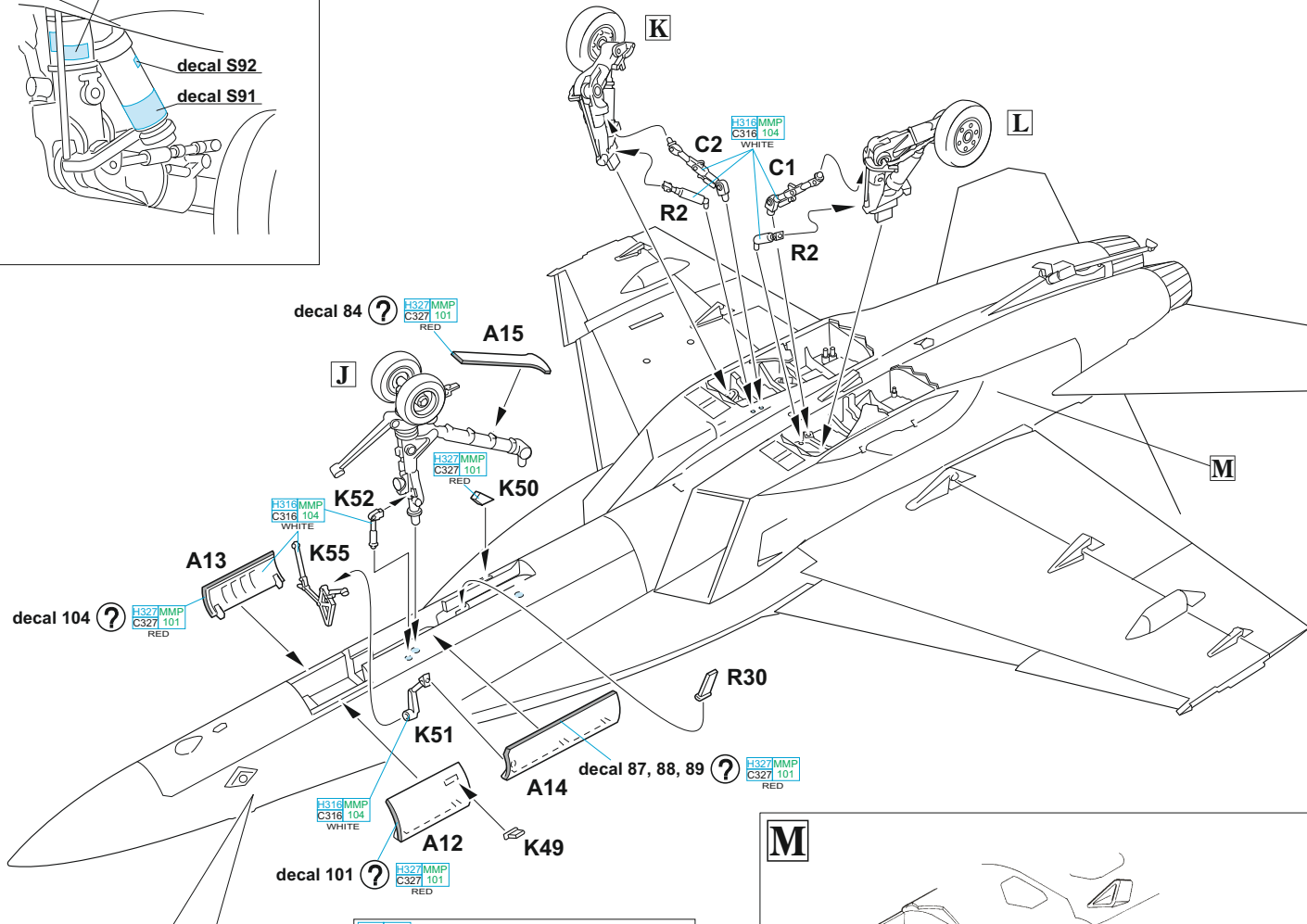
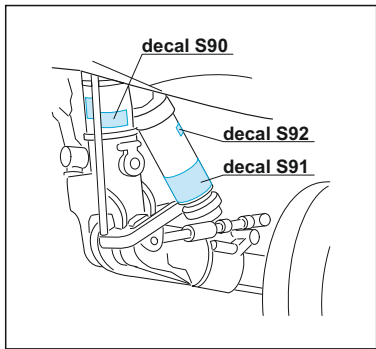


FLAPS UP

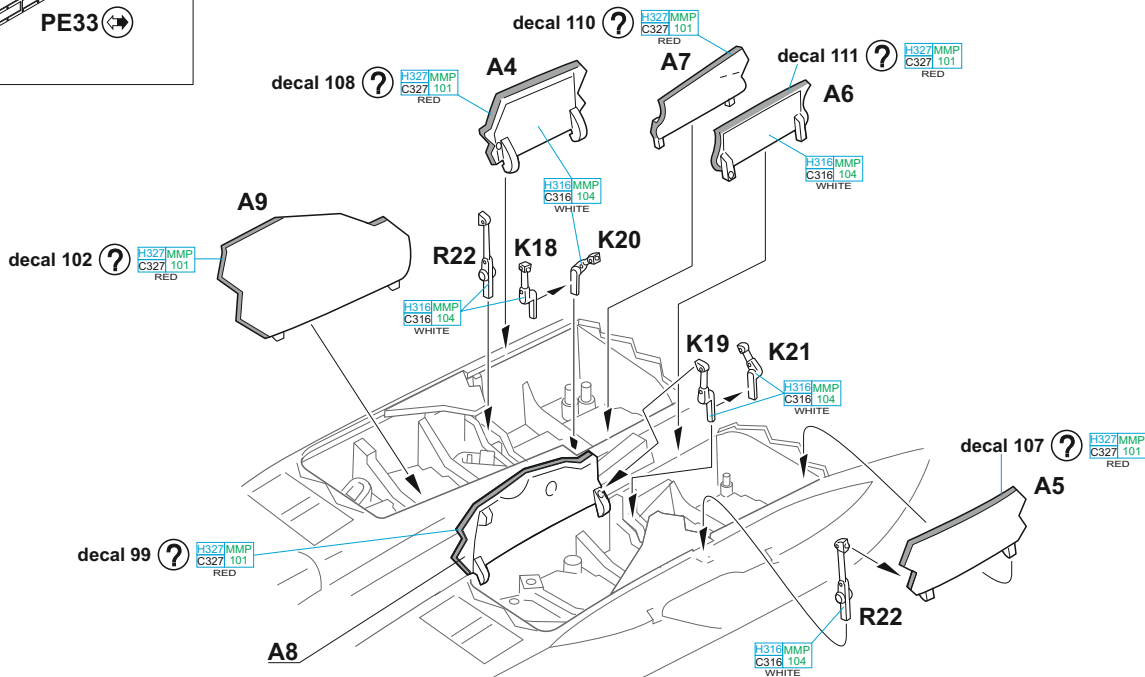
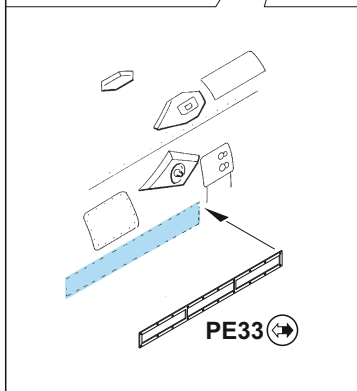
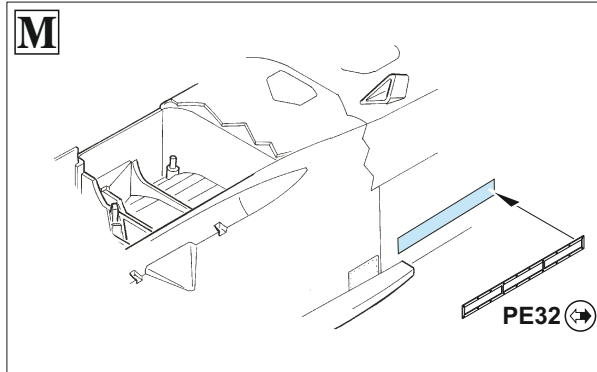


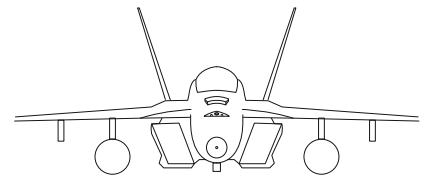
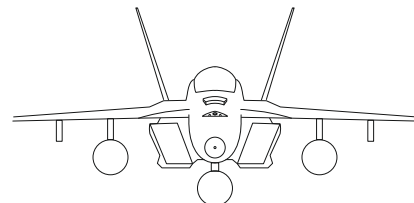
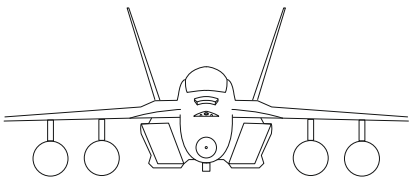
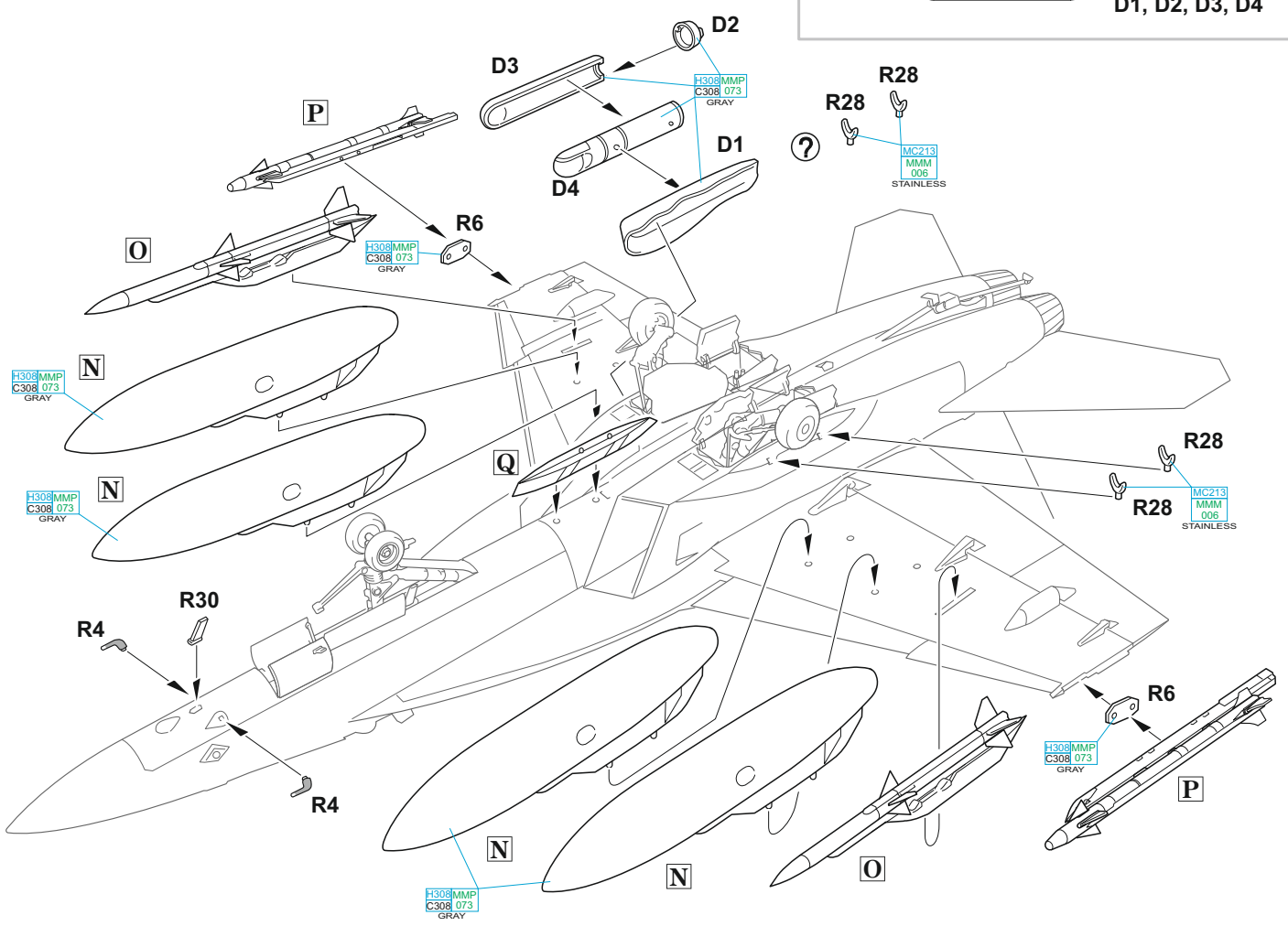
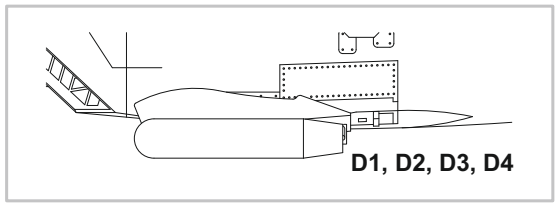
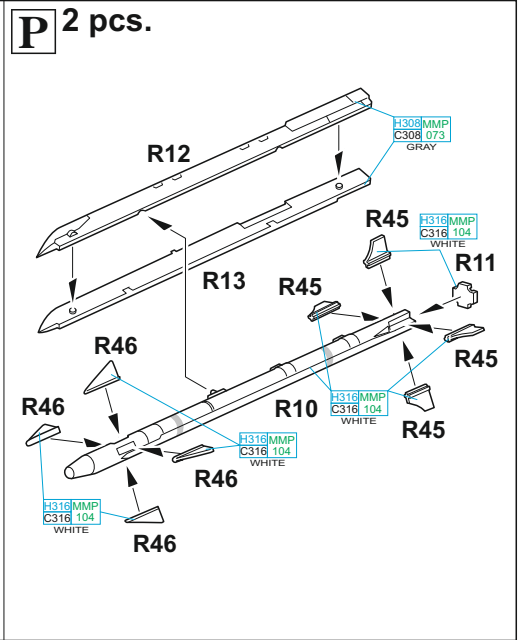
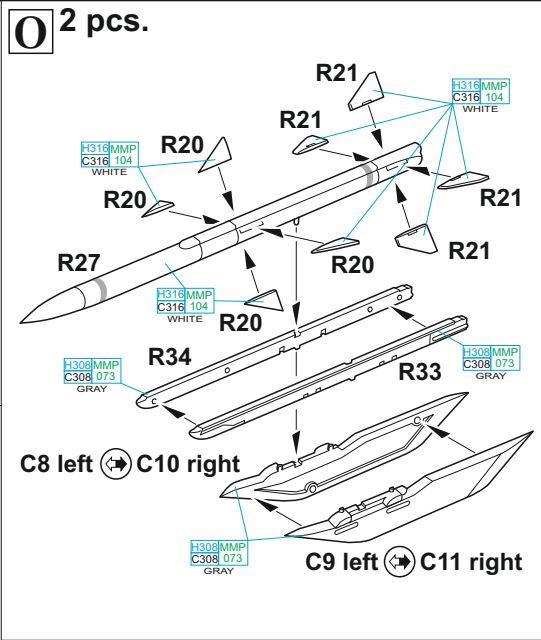
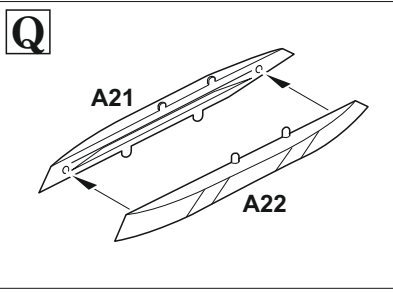
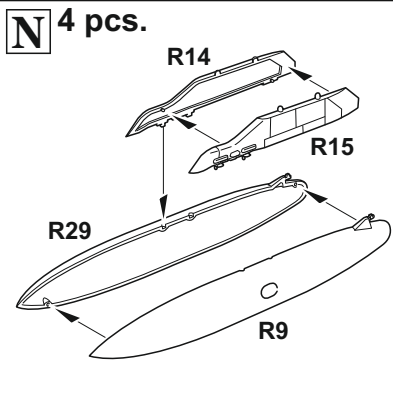
FLAPS DOWN

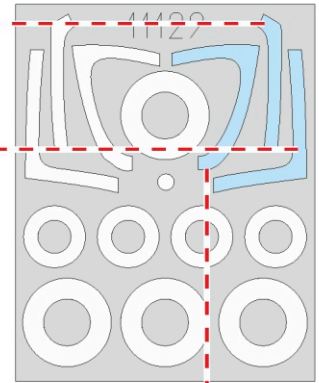
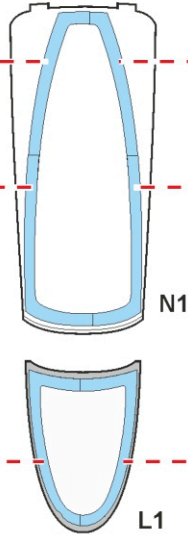
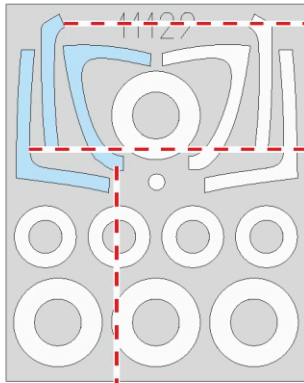
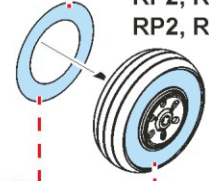
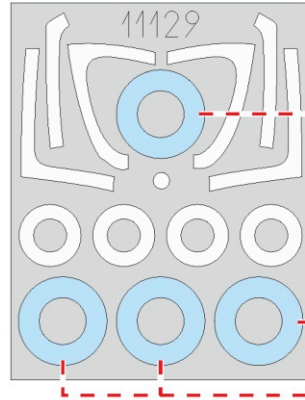
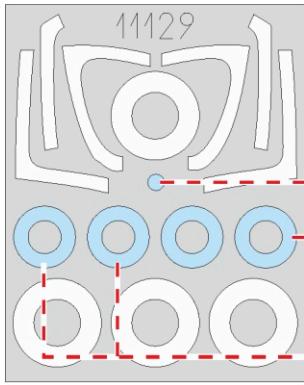




H327/MMP C327 101 RED - MARKINGS A; B; D; E ONLY







3 pcs.

PE25

H12 MMP
C33 047
FLAT BLACK

SM01
MMC
001
SUPER CHROME

H12 MMP
C33 047
FLAT BLACK

1 PE25
3 pcs.

N1

R

N1

E2

H12 MMP
C33 047
FLAT BLACK

Closed
E4

H12 MMP
C33 047
FLAT BLACK

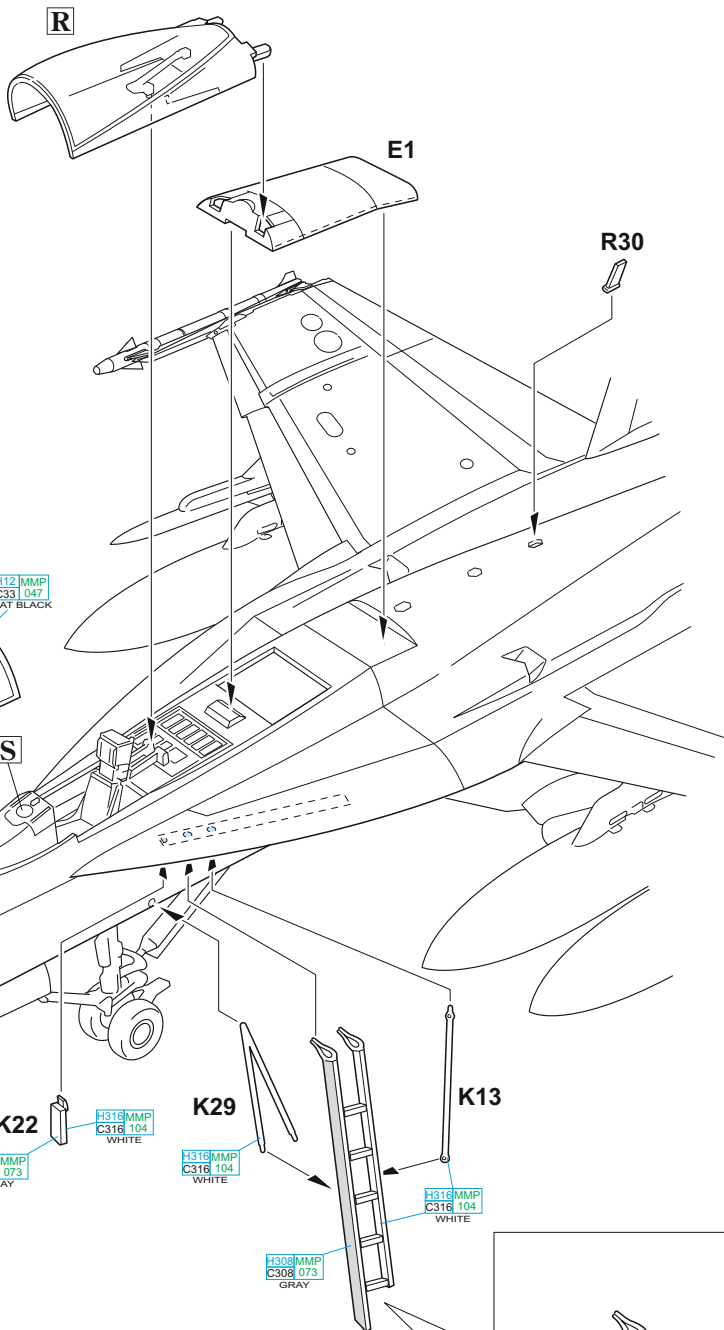
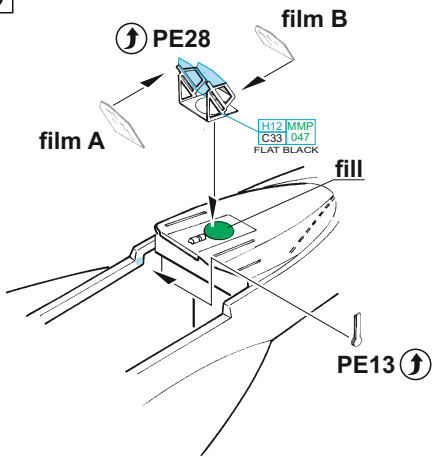
E3
Open

H12 MMP
C33 047
FLAT BLACK

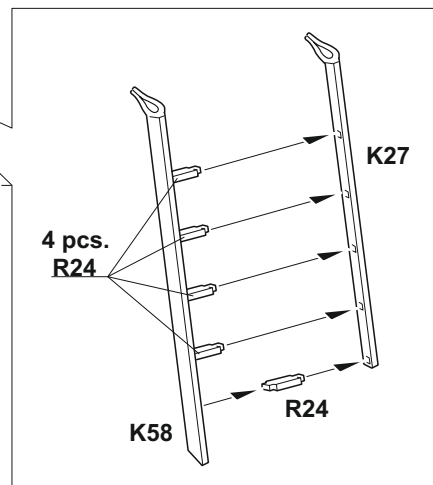
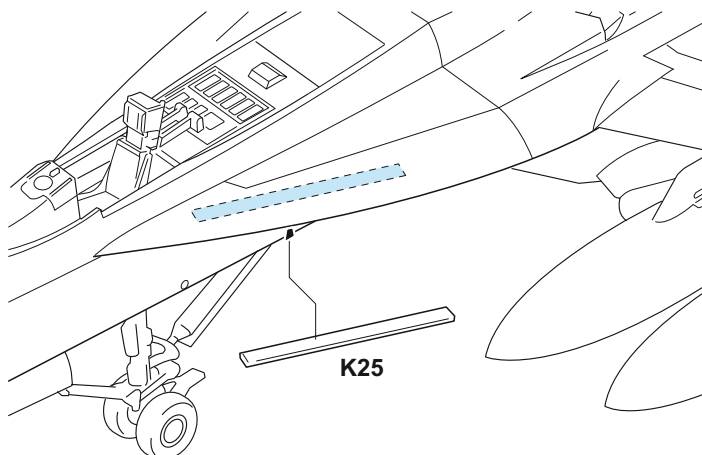
Open
E3

Closed
E4

S

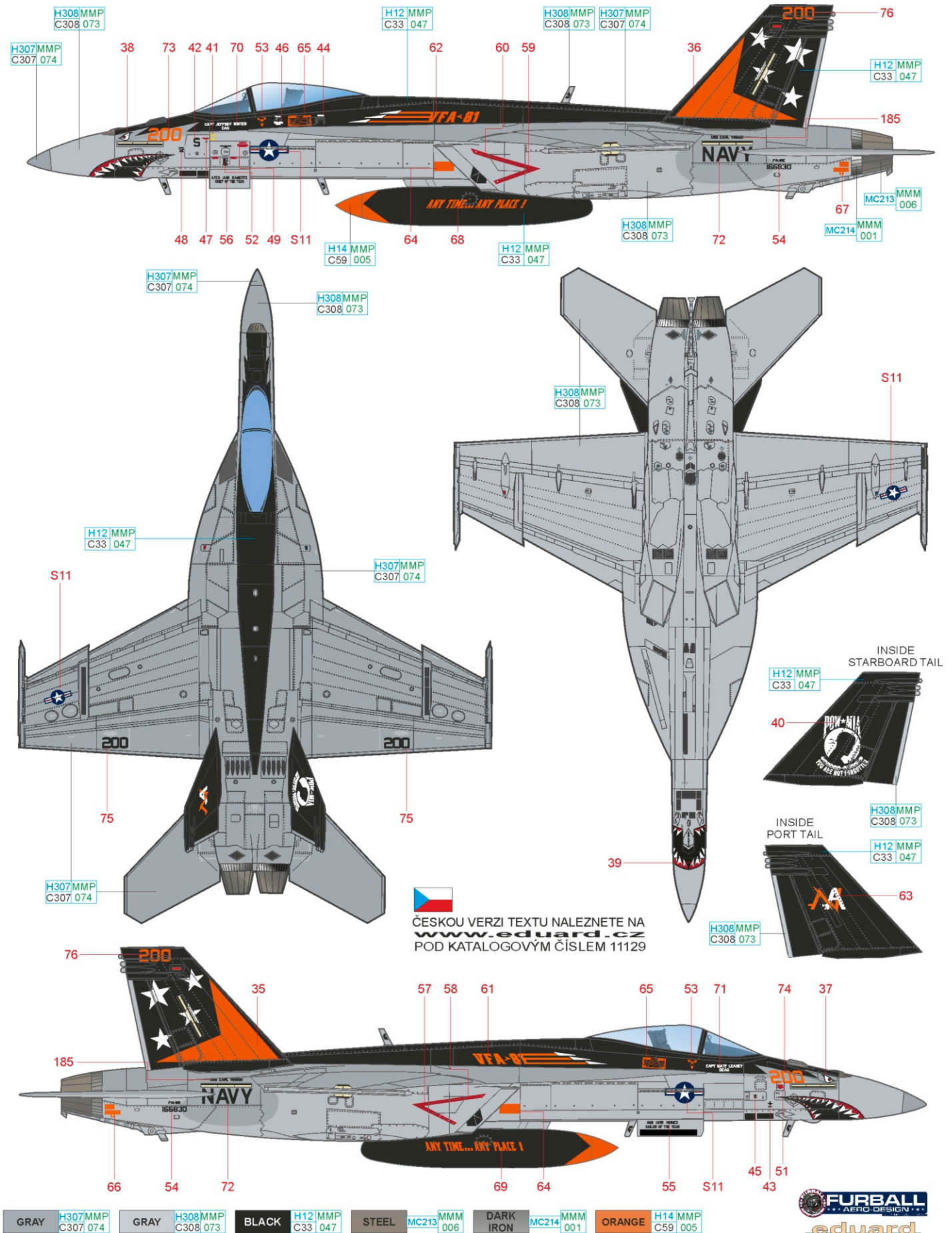


?



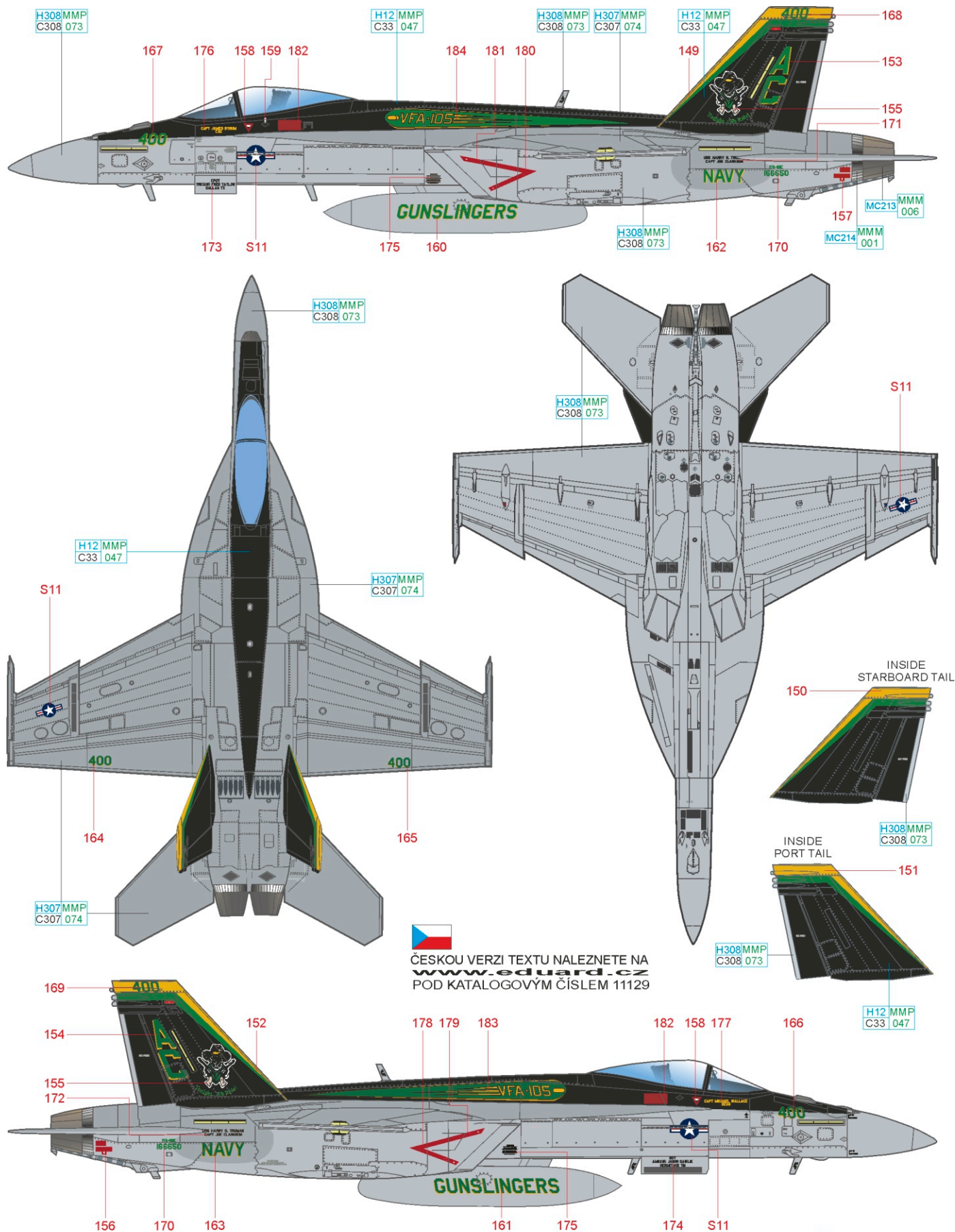
A BuNo. 166830, VFA-81 "Sunliners", USS Carl Vinson, 2013

VFA-81 was originally formed as VF-81 in 1959. In addition to the Super Hornet, the unit has operated the F9F-8 Cougar, A-4 Skyhawk, A-7 Corsair, F/A-18C Hornet over the years. During the Operation Desert Storm, the squadron shot down two MiG-21s, which were the US Navy's only aerial (fixed wing) victories during the short war. Unfortunately, on the same day LCDR Scott Speicher was shot down by an Iraqi MiG-25. For 18 years, LCDR Speicher's fate was not known as his remains had never been found. For most of this time, he was listed as Missing in Action and potentially still held in captivity. In 2009 however, US Marines found human remains that were later positively identified as LCDR Speicher's. The squadron honored LCDR Speicher's legacy by adorning the 2013 CAG jet with the POW/MIA emblem.



B BuNo. 166650, VFA-105 "Gunslingers", USS Truman, 2010

"The Gunslingers" were established in 1967 as VA-105 flying the A-7B Corsair. They would make two deployments in support of bombing operations during the Vietnam War. In 1973 the squadron transitioned to the A-7E. In 1990, the squadron would transition to the F/A-18C and be re-designated VFA-105. The squadron would see action in Operations Southern Watch and Desert Fox while assigned to the USS Roosevelt. In 2003, the squadron flew hundreds of sorties in support of Operation Iraqi Freedom. In 2006, The Gunslingers became the first Atlantic Fleet squadron to convert to the F/A-18E Super Hornet. In 2007, CDR Sara "Clutch" Joyner took command of the squadron and became the first woman to command a US Navy Strike Fighter Squadron.



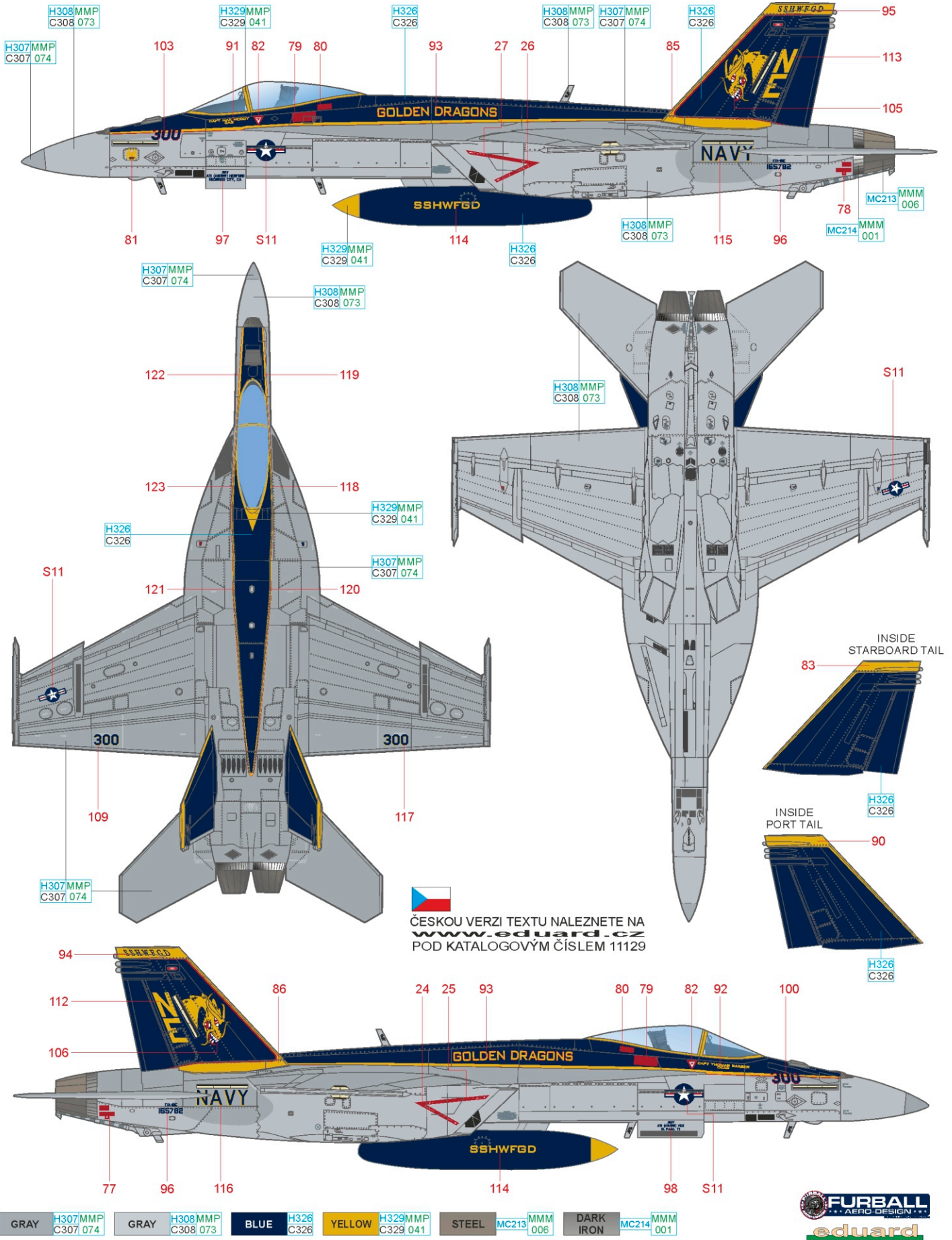
ČESKOU VERZI TEXTU NALEZNETE NA
www.eduard.cz
 POD KATALOGOVÝM ČÍSLEM 11129

GRAY H307/MMP C307 074 GRAY H308/MMP C308 073 BLACK H12/MMP C33 047 STEEL MC213/MMM 006 DARK IRON MC214/MMM 001



C BuNo. 165782, VFA-192 "Golden Dragons", USS George Washington, 2015

"The Golden Dragons" can trace their lineage back to 1945 when they were originally formed as VF-153 flying the F6F-5 Hellcat. The squadron's designation was changed to VF-151 and was assigned the F8F-1/2 from 1947-1950. Transitioning to the F4U-4 Corsair in 1950, the squadron would receive the designation VF-192. The unit flew combat missions in support of the Korean War during two deployments between 1951 and 1952. In 1953 the squadron transitioned to the F9F-2/5 Panther and deployed aboard the USS Oriskany. During this deployment they participated in the filming of the movie "The Bridges at Toko-Ri". Because their aircraft were prominently featured in the movie, the squadron referred to itself as "The World Famous Golden Dragons". The squadron would go on to fly F9F Cougar, FJ-4B, A-7, F/A-18C, and eventually transition to the F/A-18E in 2014. The "SSHWF6D" titling on their aircraft stands for "Super Sh*t Hot World Famous Golden Dragons".



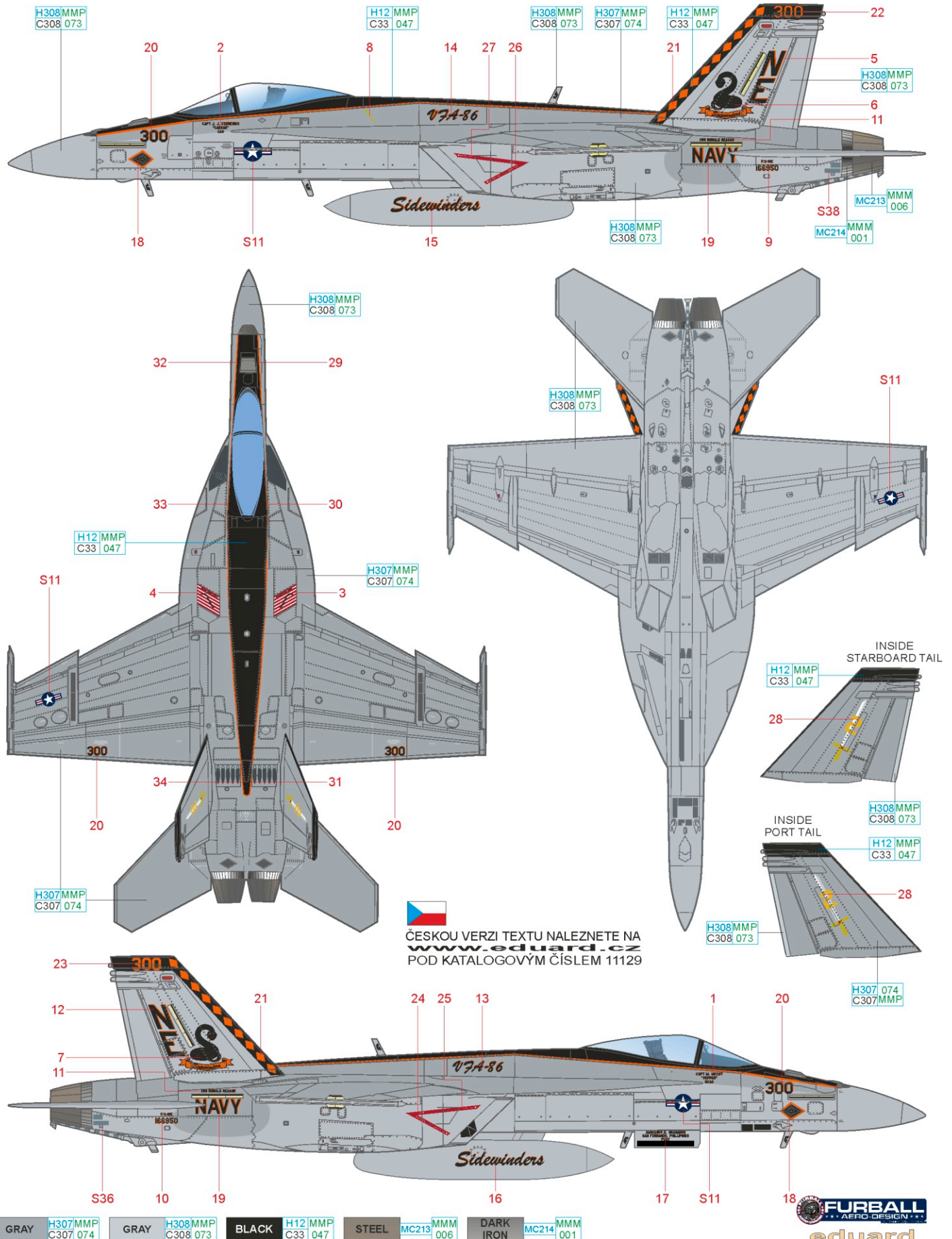
ČESKOU VERZI TEXTU NALEZNETE NA www.eduard.cz POD KATALOGOVÝM ČÍSLEM 11129

- GRAY H307MMP C307 074
- GRAY H308MMP C308 073
- BLUE H326 C326
- YELLOW H329MMP C329 041
- STEEL MC213 MMM 006
- DARK IRON MC214 MMM 001



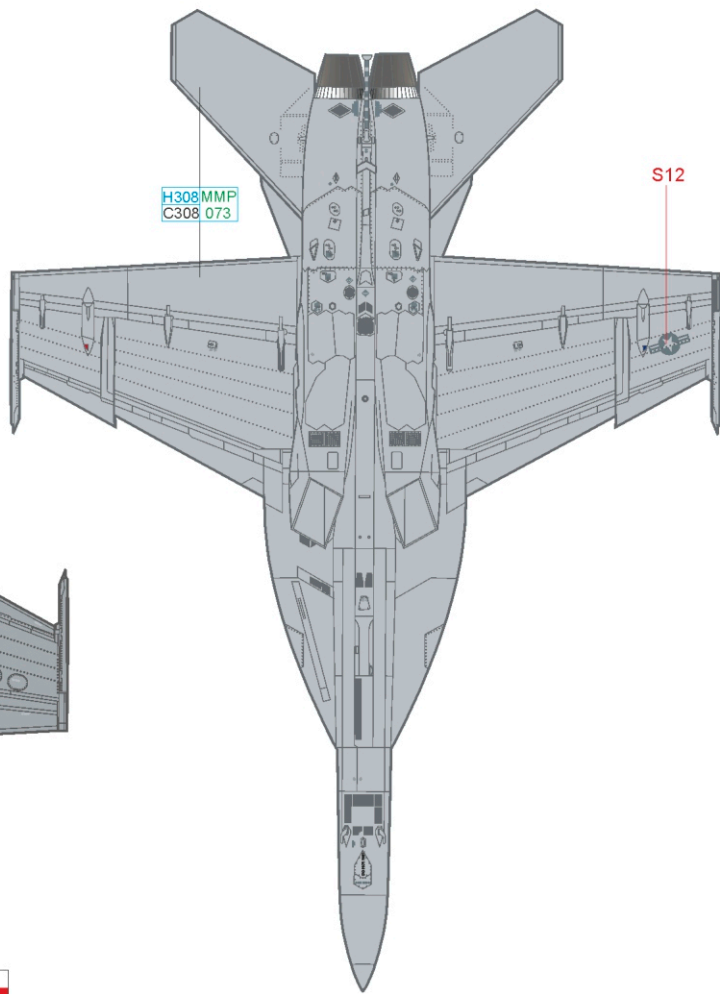
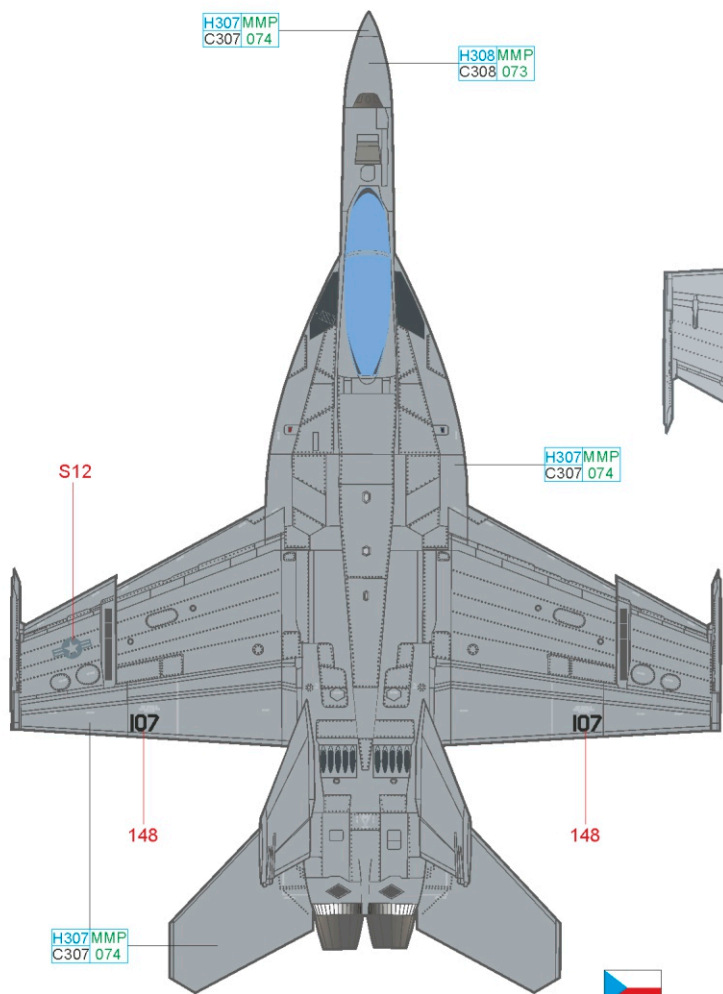
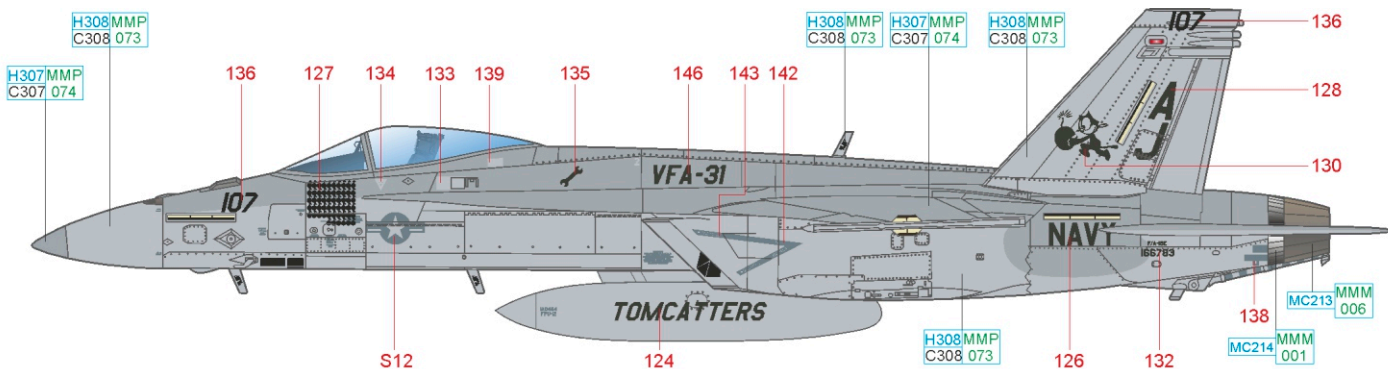
D BuNo.166950, VFA-86 "Sidewinders", USS Reagan, 2015

"The Sidewinders" history dates to 1951, and their original designation as VF-921. Flying the F4U Corsair, they saw action during the Korean War. In 1953, their designation changed to VF-84 and they were briefly assigned the F8F-2 Bearcat as they transitioned to the F9F-5 Panther. In 1955 the unit was re-designated VA-86 and flew the F7U-3M Cutlass from until 1957. This aircraft proved to be unsuitable for carrier operations and the squadron transitioned to the legendary A-4 Skyhawk. In 1967, the squadron became the first Atlantic Fleet squadron to fly the A-7A Corsair II. In 1987, the squadron designation changed to VFA-86 as they transitioned to the F/A-18C Hornet. In 2011 the squadron received F/A-18E Super Hornets. Over the years, The Sidewinders have participated in the Korean War, The Vietnam War, Operation Desert Storm, Operation Enduring Freedom, Operation Iraqi Freedom, and most recently, Operation Inherent Resolve.

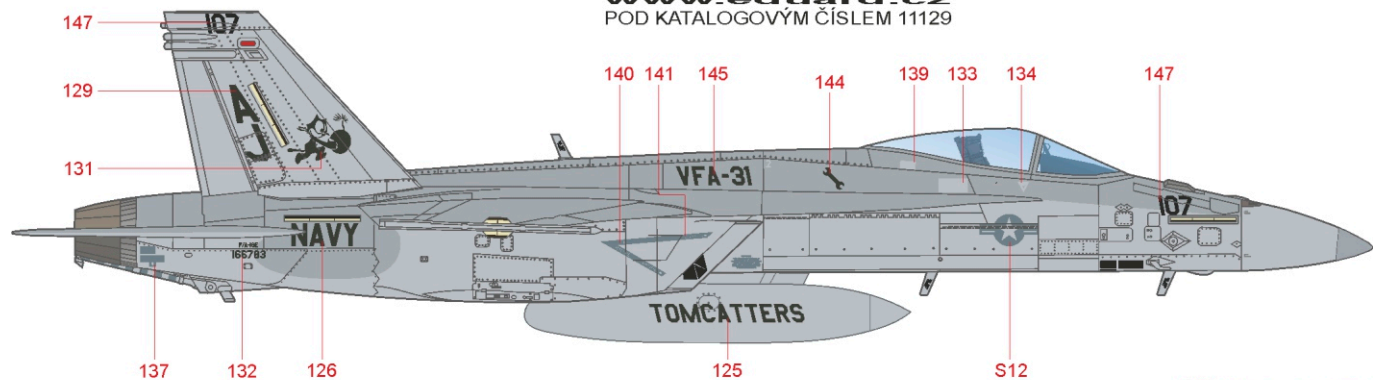


E BuNo. 166783, VFA-31 "Tomcatters", USS Bush, 2017

VFA-31 can trace its lineage back to 1935 making it the second oldest Fighter/Attack squadron in the US Navy. The classic "Felix the Cat" emblem adorned the squadron's aircraft from its earliest days. The Tomcatters were the last operational unit to fly the F-14, and transitioned to the F/A-18E in 2006. This low visibility painted Super Hornet saw heavy action during Operation Inherent Resolve. Sporting 56 mission markings, this aircraft supported Coalition Forces in their fight against the Islamic State.

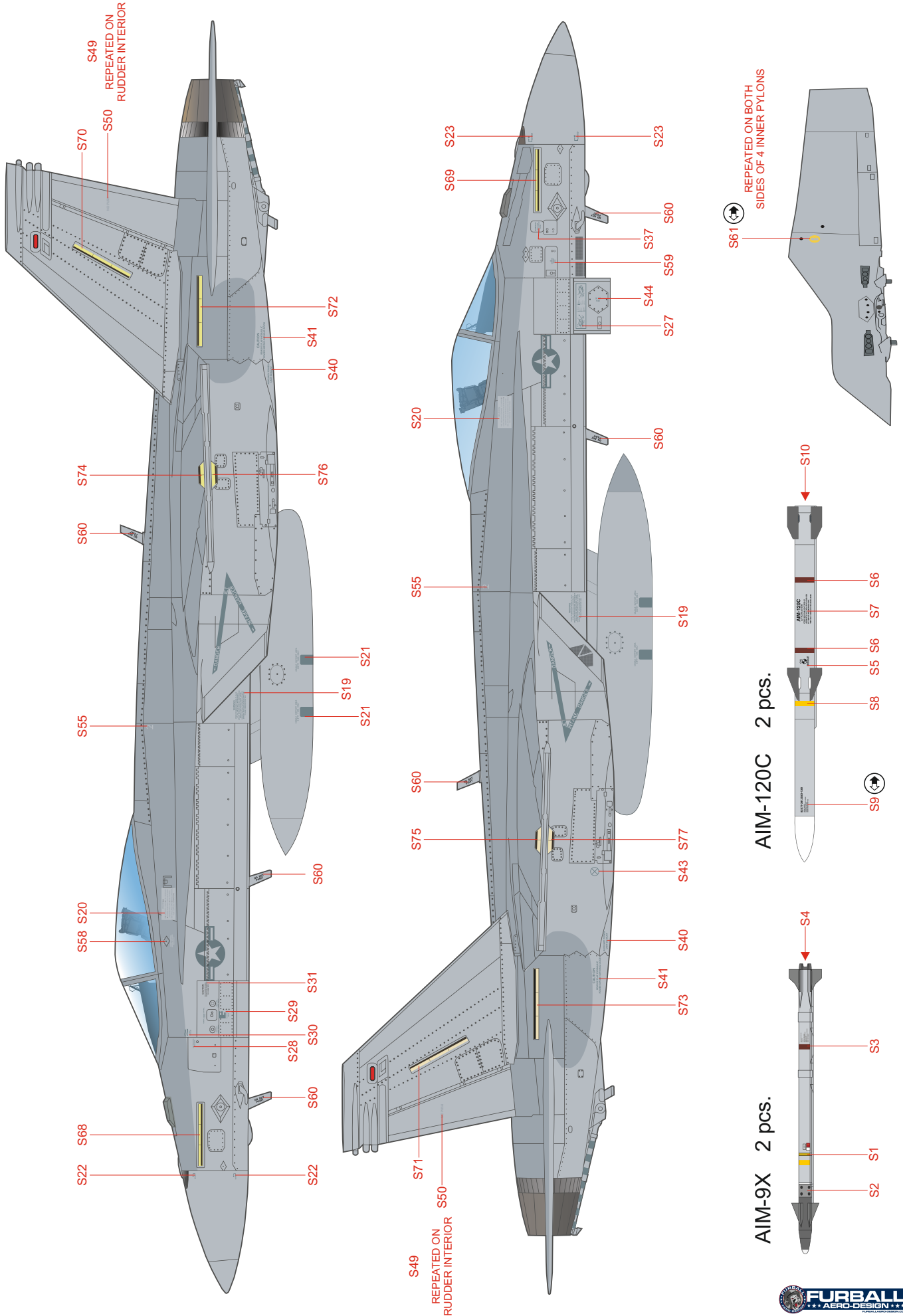


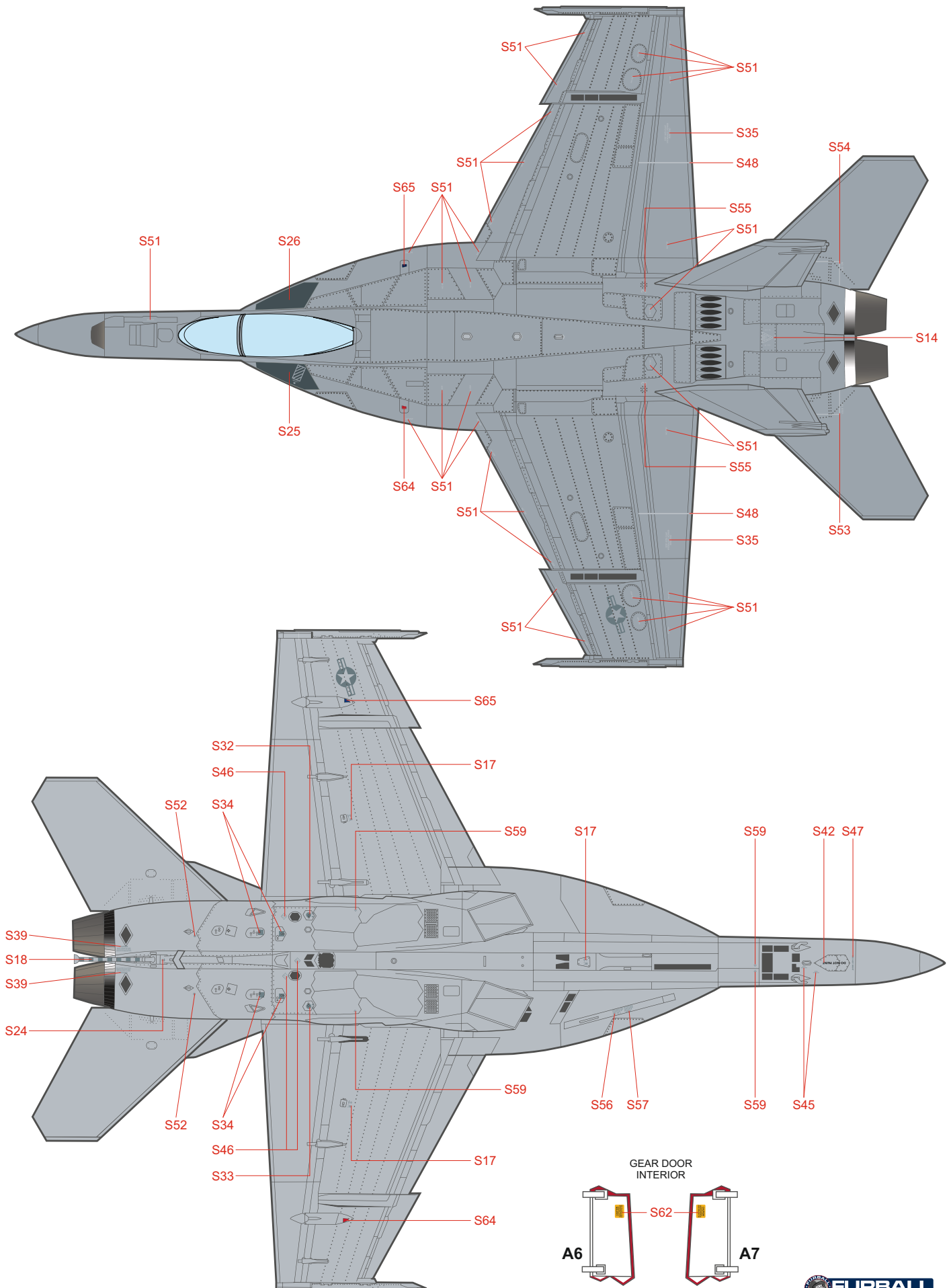
ČESKOU VERZI TEXTU NALEZNETE NA
www.eduard.cz
 POD KATALOGOVÝM ČÍSLEM 11129



- GRAY H307MMP C307 074
- GRAY H308MMP C308 073
- STEEL MC213 MMM 006
- DARK IRON MC214 MMM 001

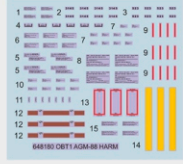




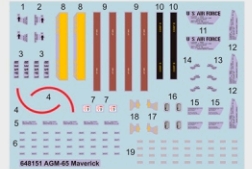
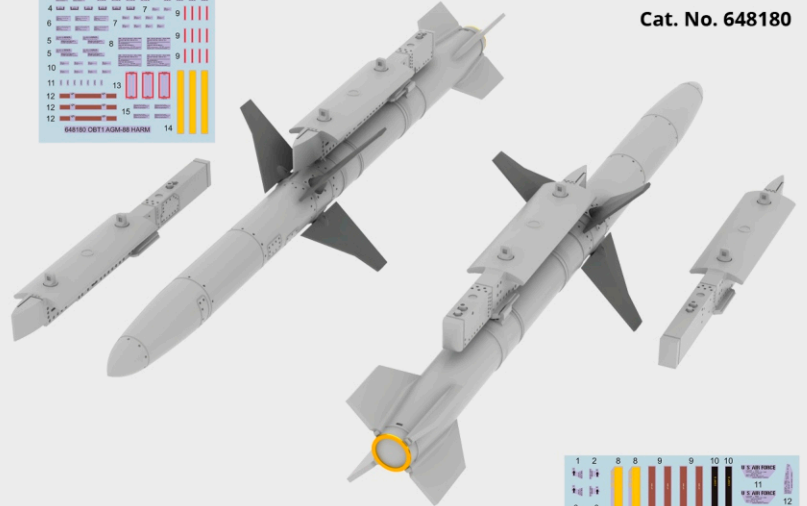


RELATED PRODUCTS for F/A-18E:

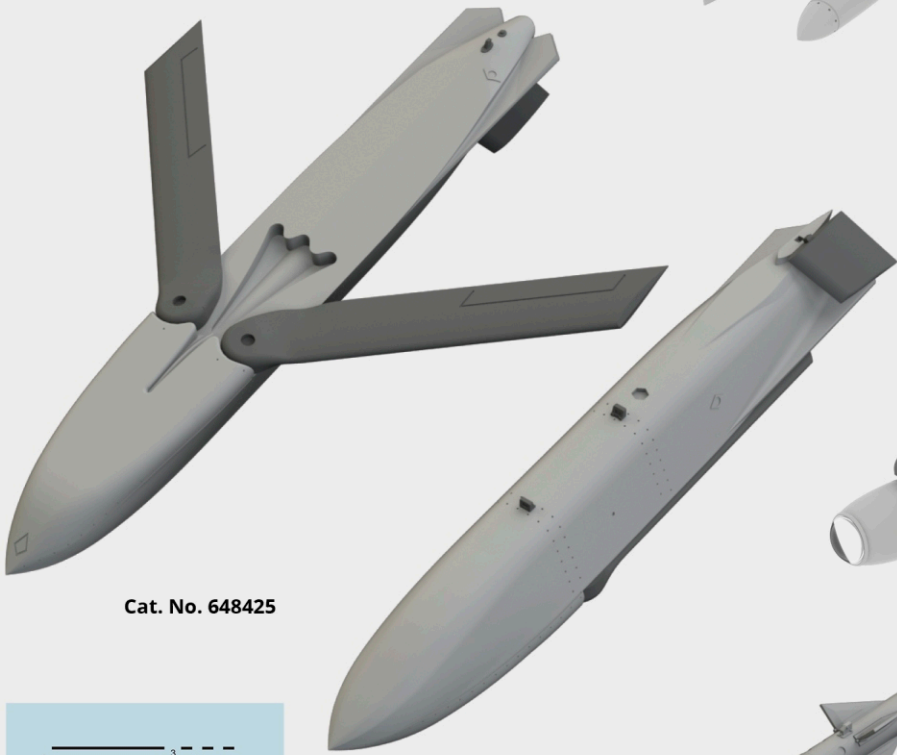
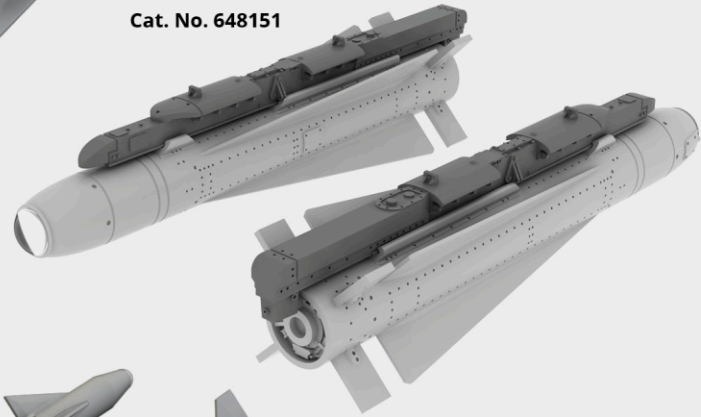
- 49103 Remove Before Flight STEEL 1/48 (PE-Set)
- 648087 AIM-120C AMRAAM 1/48 (Brassin)
- 648151 AGM-65 Maverick 1/48 (Brassin)
- 648155 GBU-12 bomb 1/48 (Brassin)
- 648172 GBU-10 Paveway II 1/48 (Brassin)
- 648180 AGM-88 HARM 1/48 (Brassin)
- 648386 GBU-38 Thermally Protected 1/48 (Brassin)
- 648425 AGM-158 1/48 (Brassin)
- 648435 AIM-9X 1/48 (Brassin)



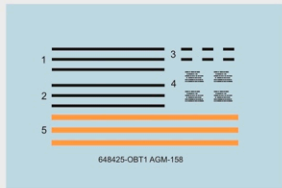
Cat. No. 648180



Cat. No. 648151



Cat. No. 648425



Cat. No. 648435

