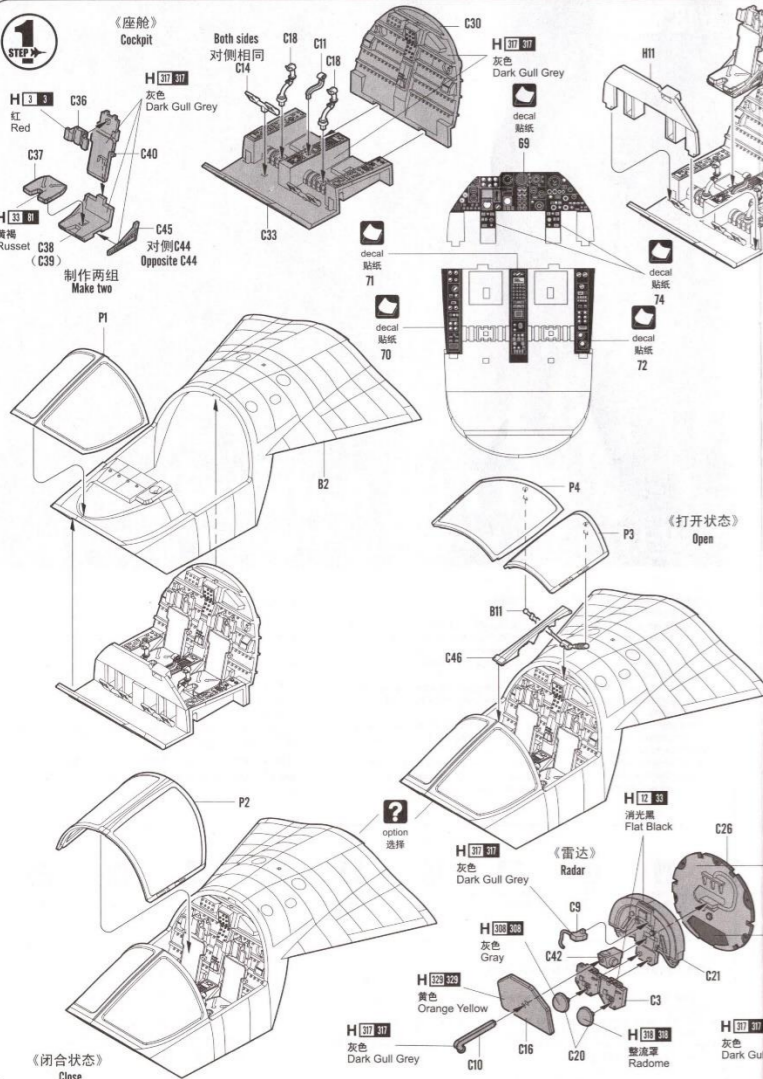
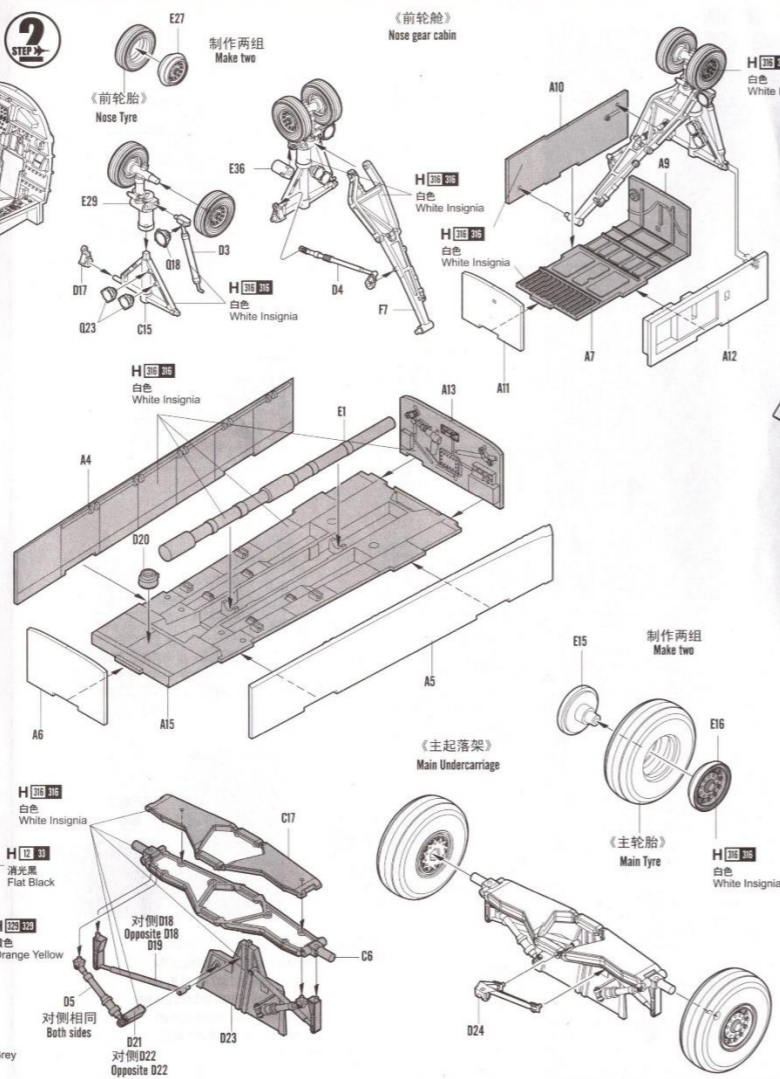


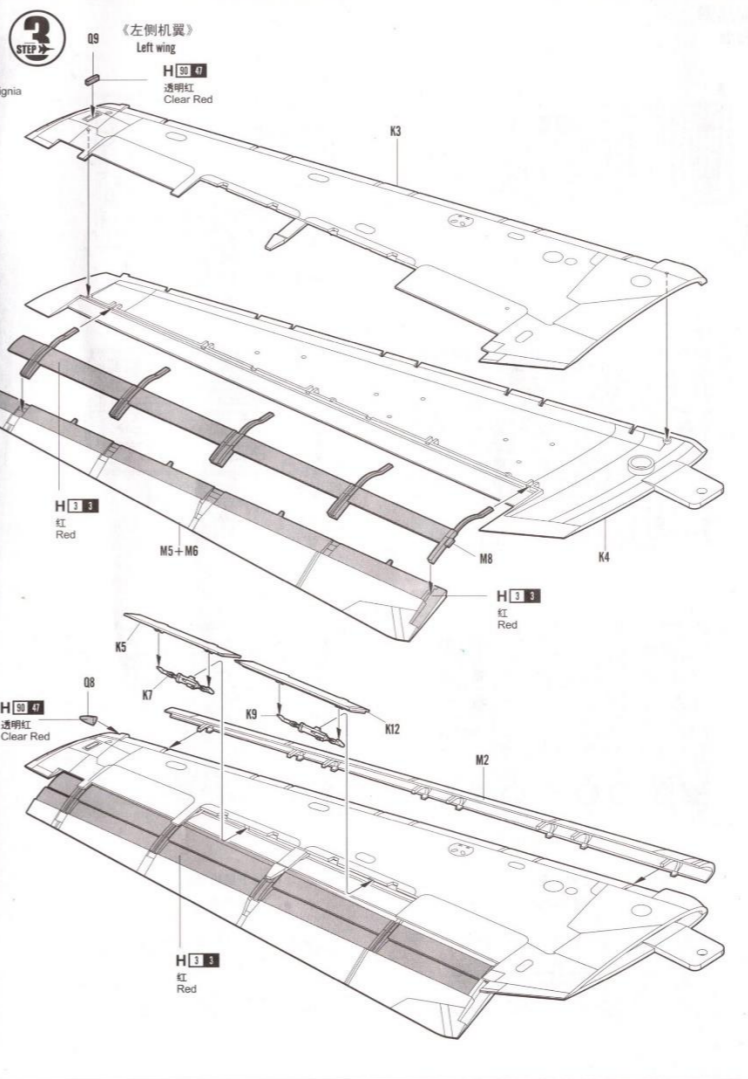
1 STEP 1



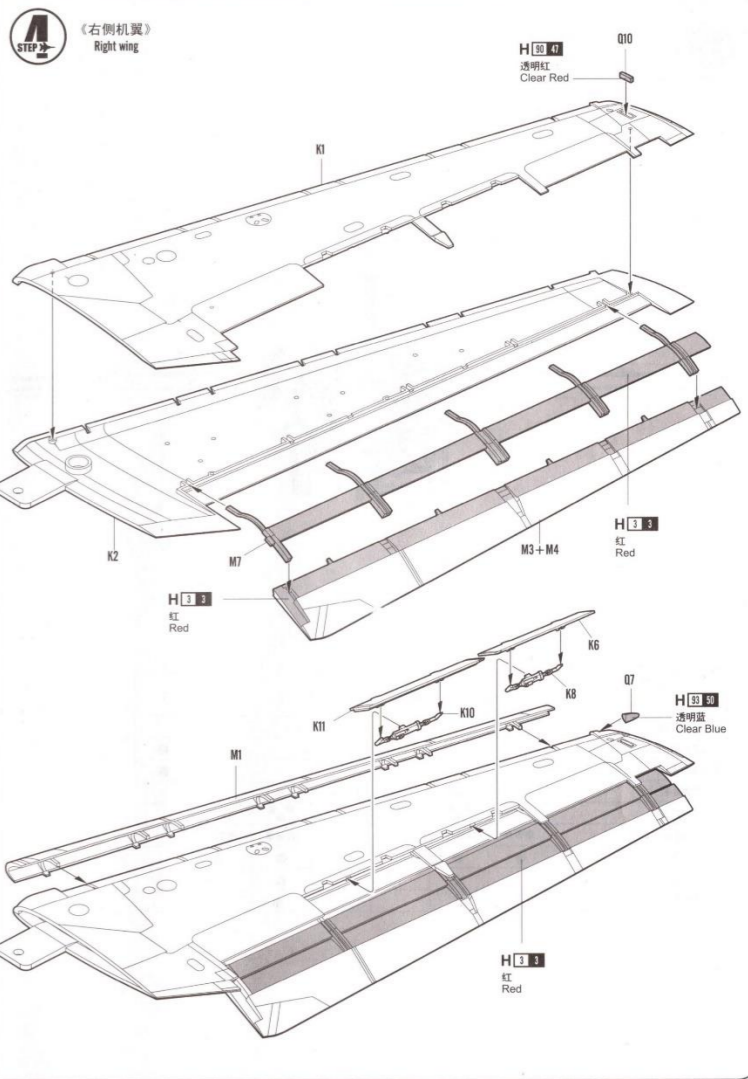
2 STEP 2



3 STEP 3

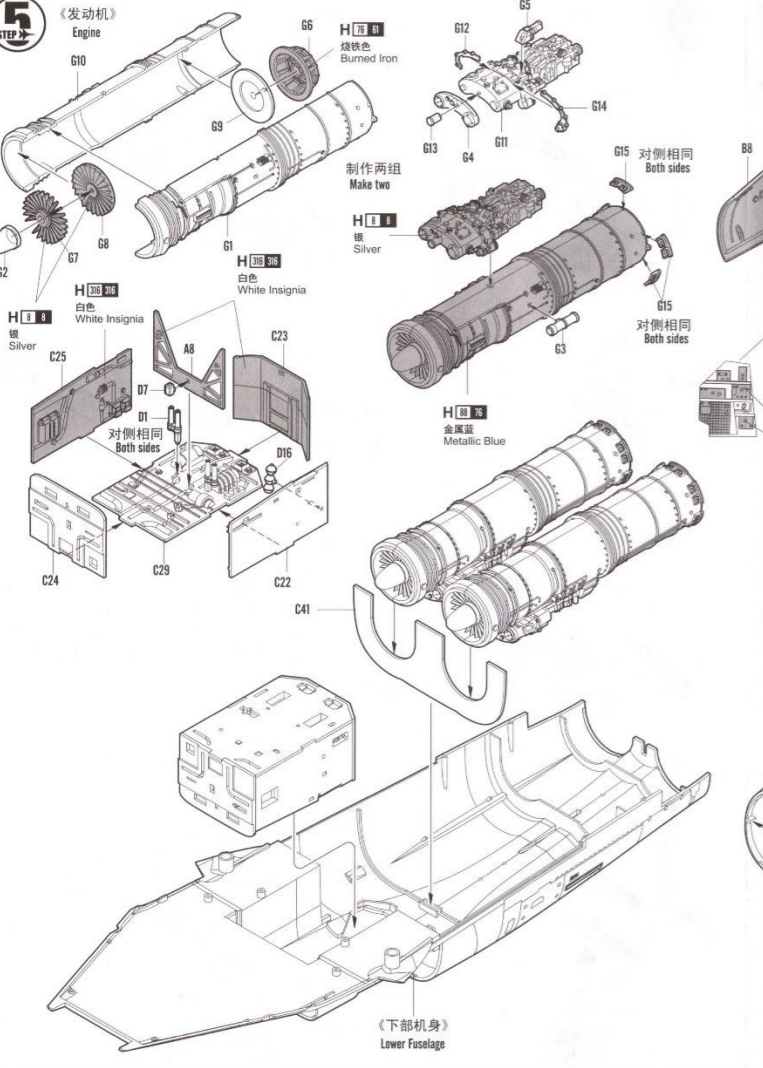


4 STEP 4

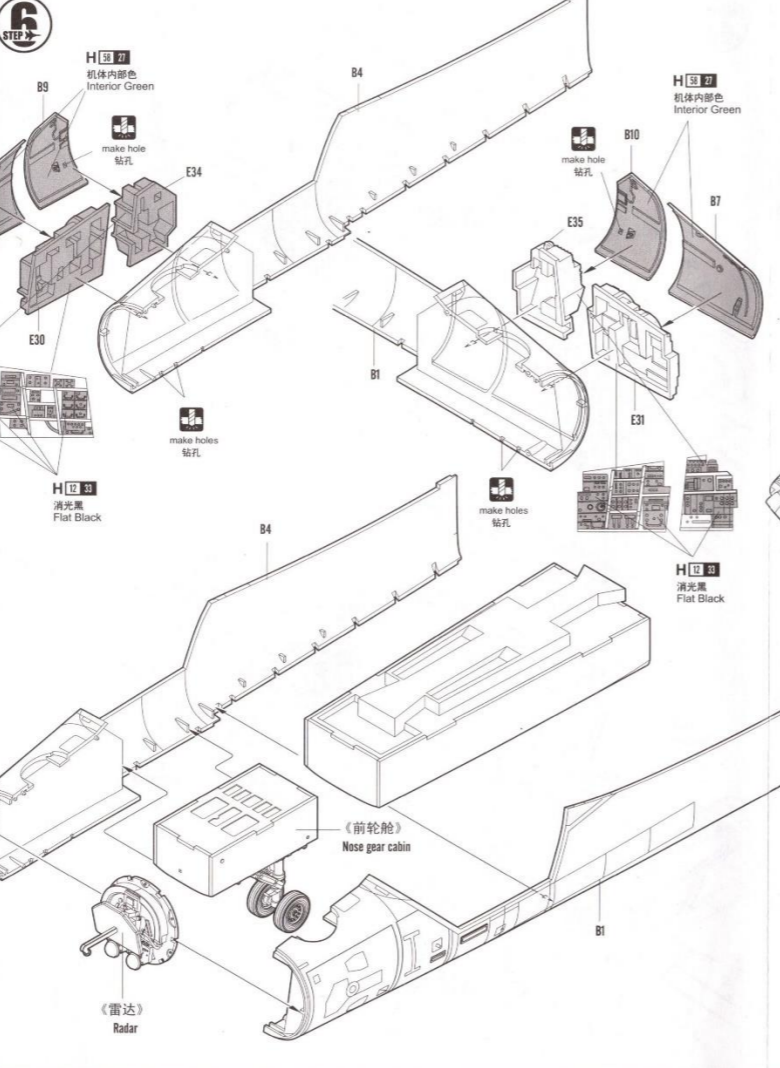


80348

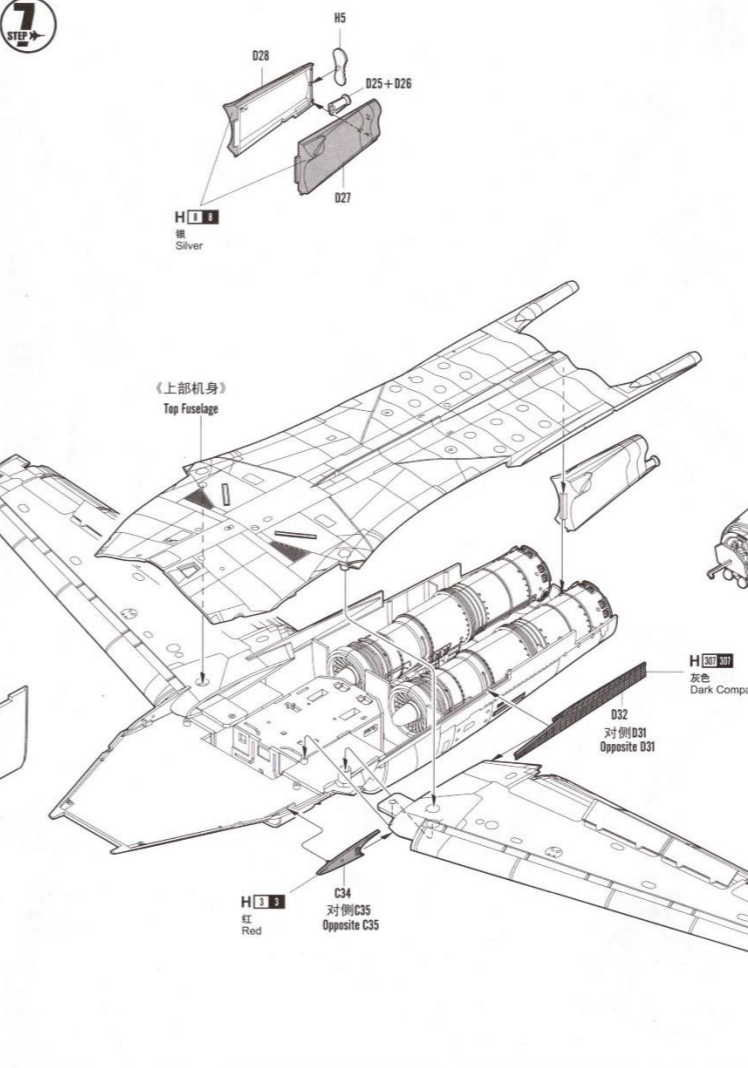
5 STEP 5



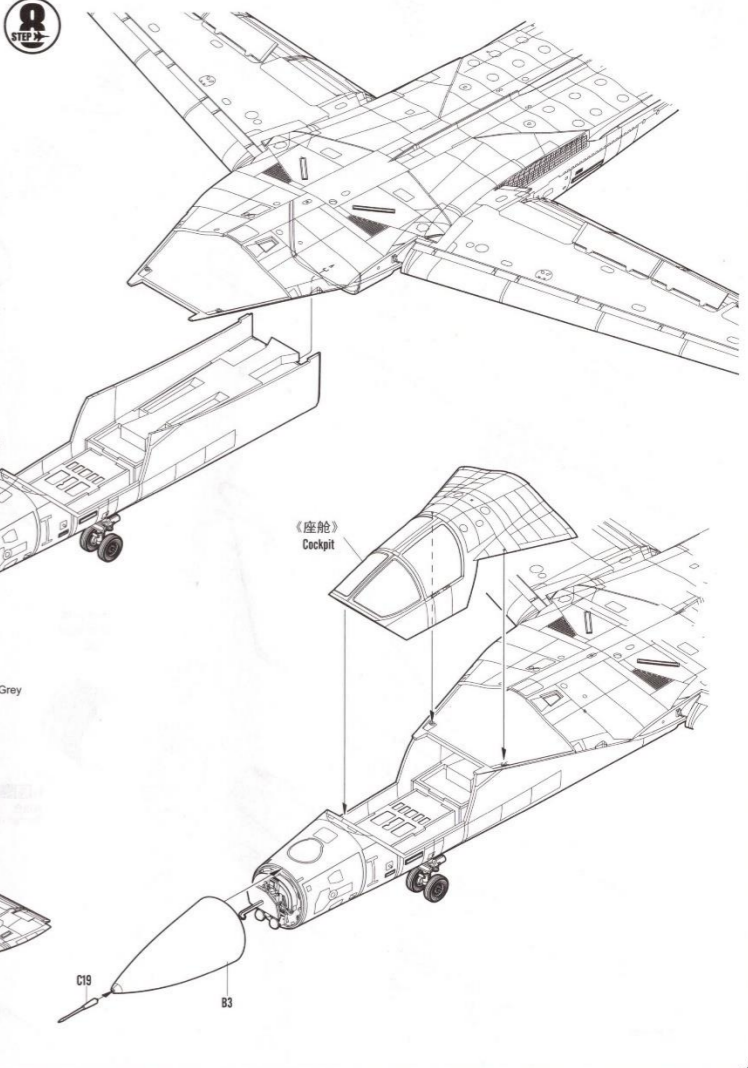
6 STEP 6



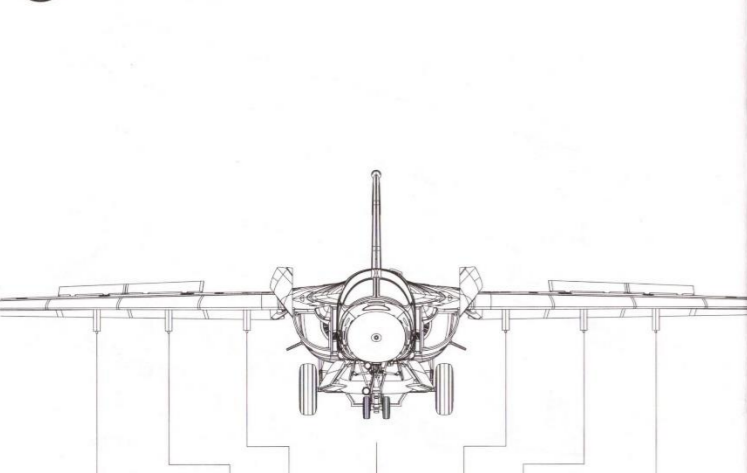
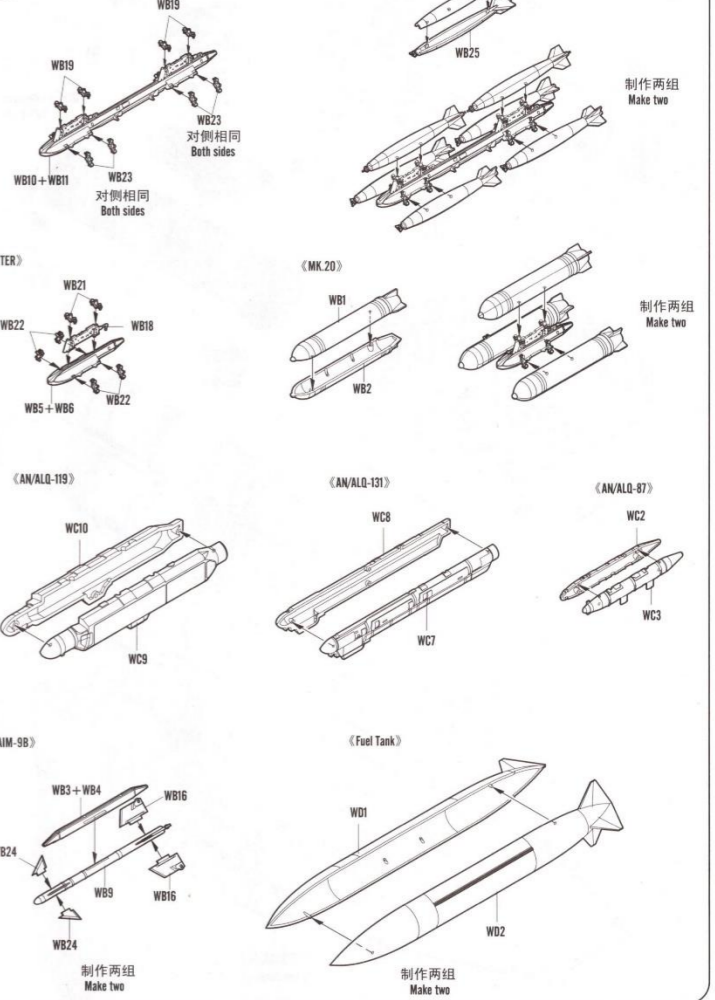
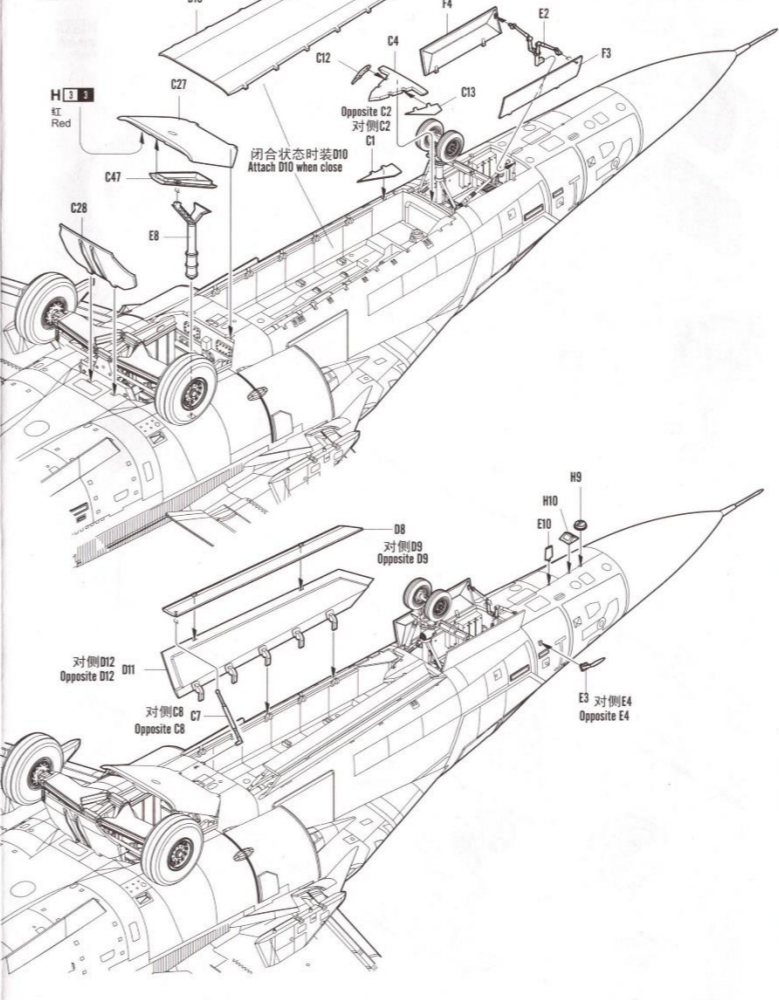
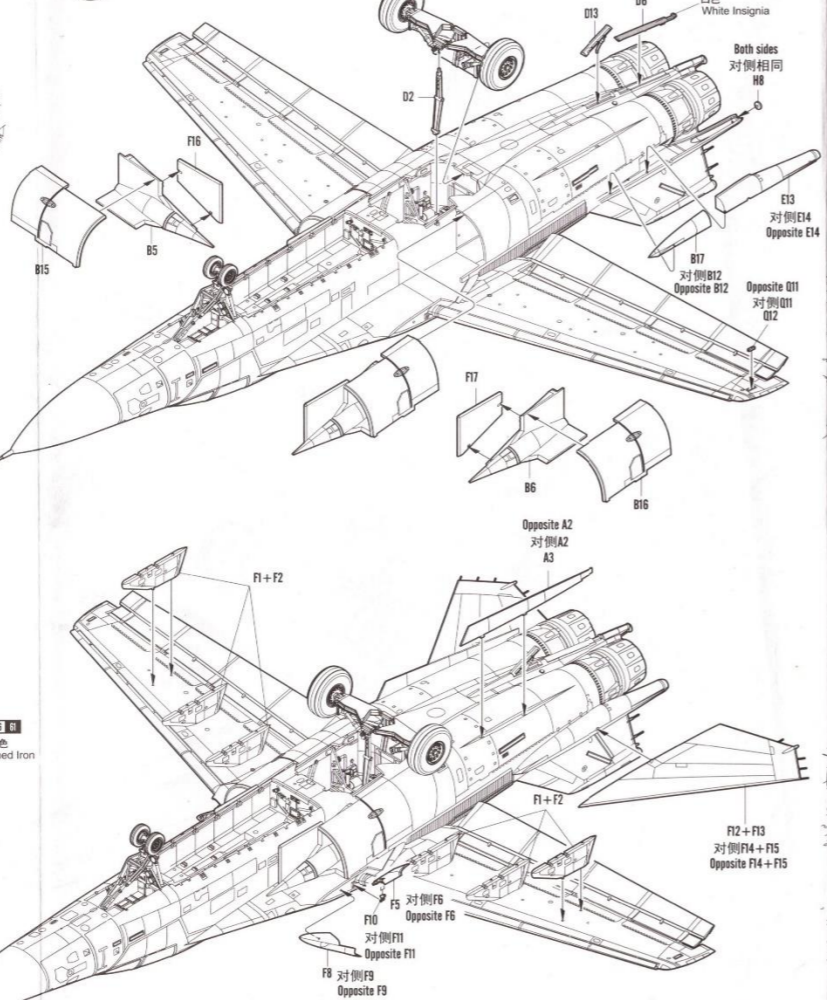
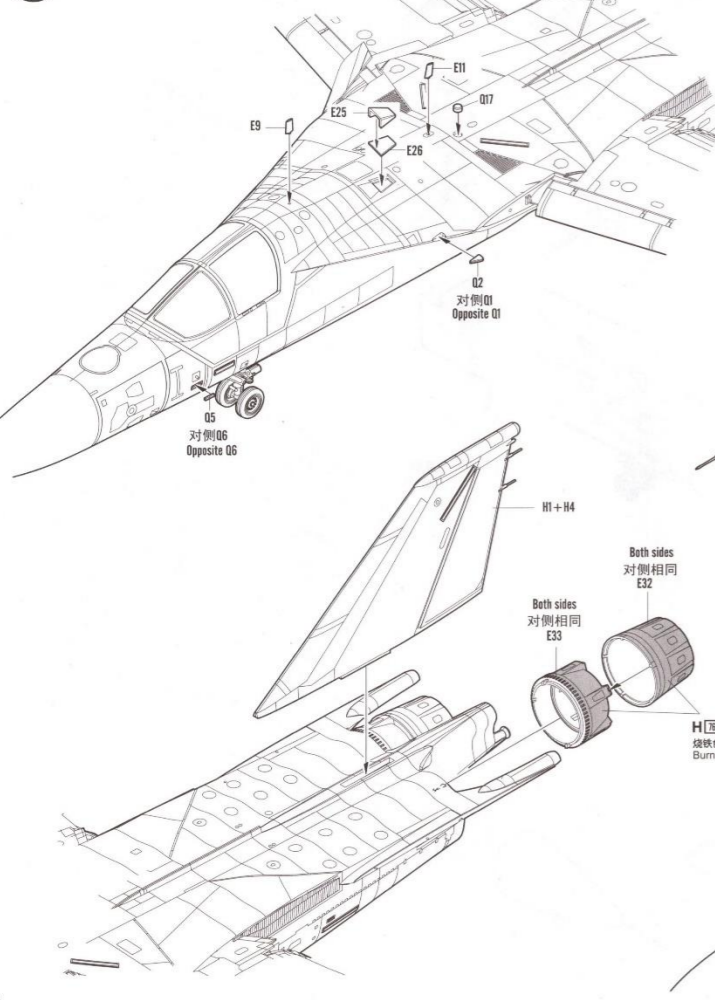
7 STEP 7



8 STEP 8

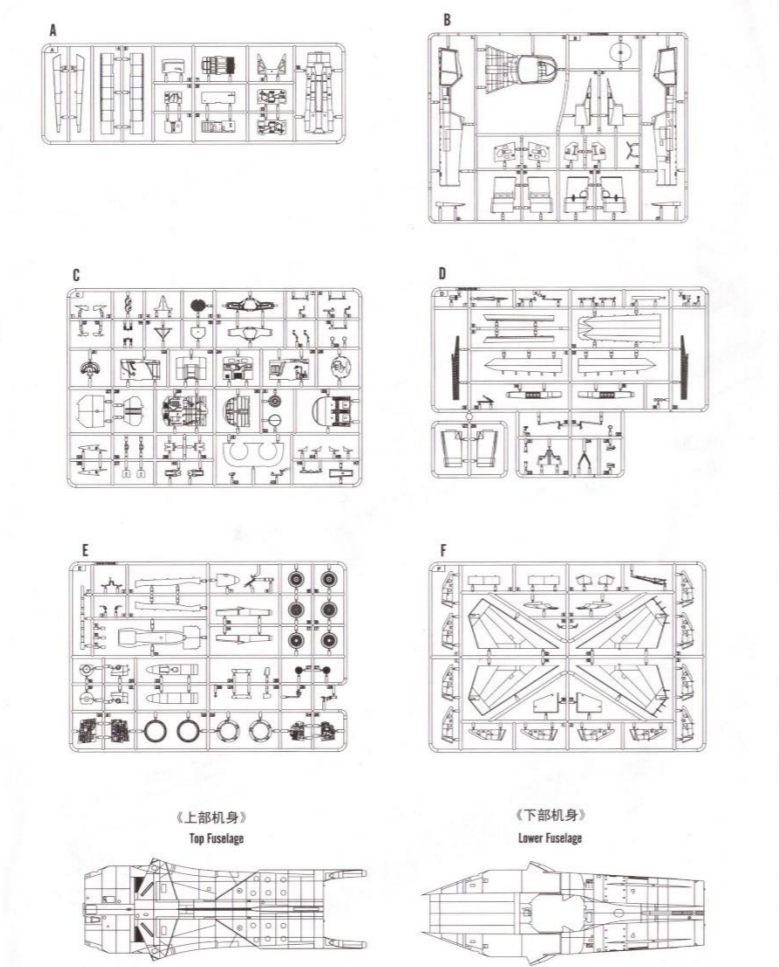


80348

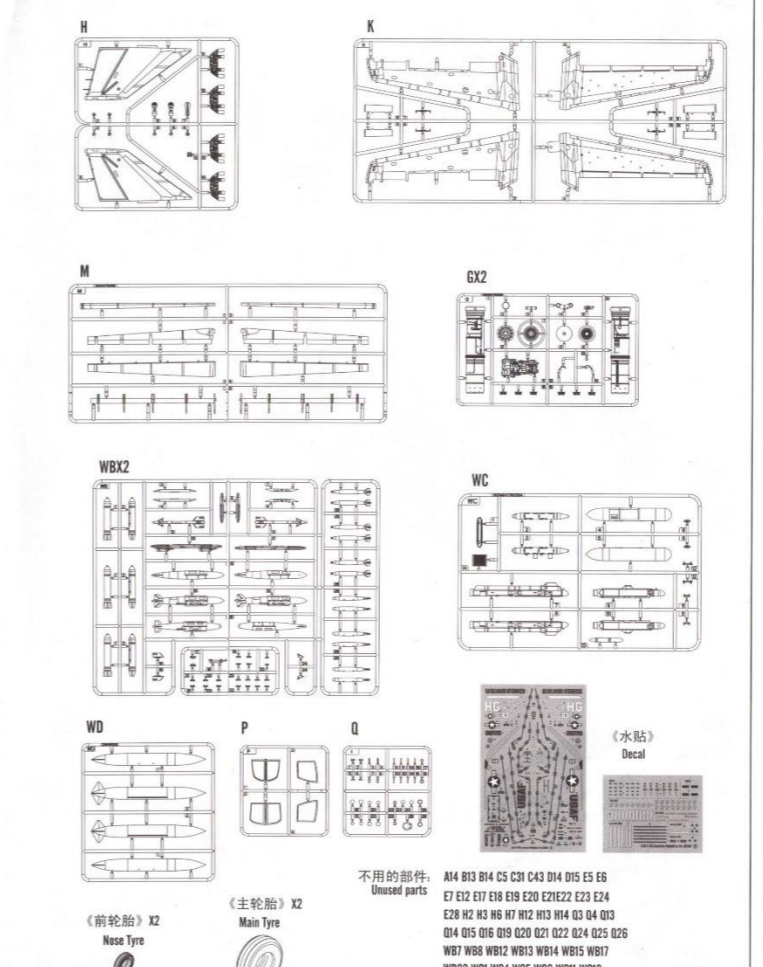


Sta.No.	1	2	3	front	back	5	6	7
AIM-9B		●					●	
AN/ALQ-119								●
AN/ALQ-131								●
AN/ALQ-97			●		●		●	
MK.20			●		●		●	
MK.82		●	●		●		●	
TER		●					●	
MER			●					
Fuel Tank			●					

部品图 Parts



部品图 Parts



F-111A Aardvark F-111A アードバーク F-111A“土豚”战斗轰炸机

PLEASE READ BEFORE OPERATION!

Tools recommended as below. (Not included)
 Adhesives; Paints; Side Cutters; Sharp Edged Pliers; Modeling Knife; Modeling File; Nippers; Drill; Scissors; Sand Paper; Soft Cloth; Cyanoacrylate Glue.

Make sure to read this instruction listed below before assembling.
 The kit contains the small parts, they can be dangerous if swallowed by mistake, so keep them away from reach of children.
 Cut the all parts off carefully and remove the waste parts into the garbage can.
 More caution and care should be needed for cutting and handling the photo etched parts.
 Make attention that some parts should be attached the decal when assembled.
 During assembling, please tear up and throw away the plastic bags, or may cause the dangerous if wearing over head by children's mistake.
 When using the adhesives and paints, please do not use them in the closed room or near the fire, also must be very careful to protect your eyes face and clothes.
 Adult supervised when assembled by children under 14 years old.

装配前请仔细阅读：
 推荐使用的模型工具(请自备)：
 专用模型胶水，专用模型油漆，水口剪刀，长镊钳，刀片，镊子钳，钻，剪刀，软布，砂纸，瞬间快干胶等。
 用适当的力量晾干胶水粘合蚀刻片零件和金属轴，切忌过紧，否则可能导致零件松动。
 注意某些零件表面需在装配时同步贴水上贴纸。
 制作时应远离儿童并将包装及时收妥，谨防小孩玩耍而引起意外。
 成人监督下由14岁以下儿童拼装。



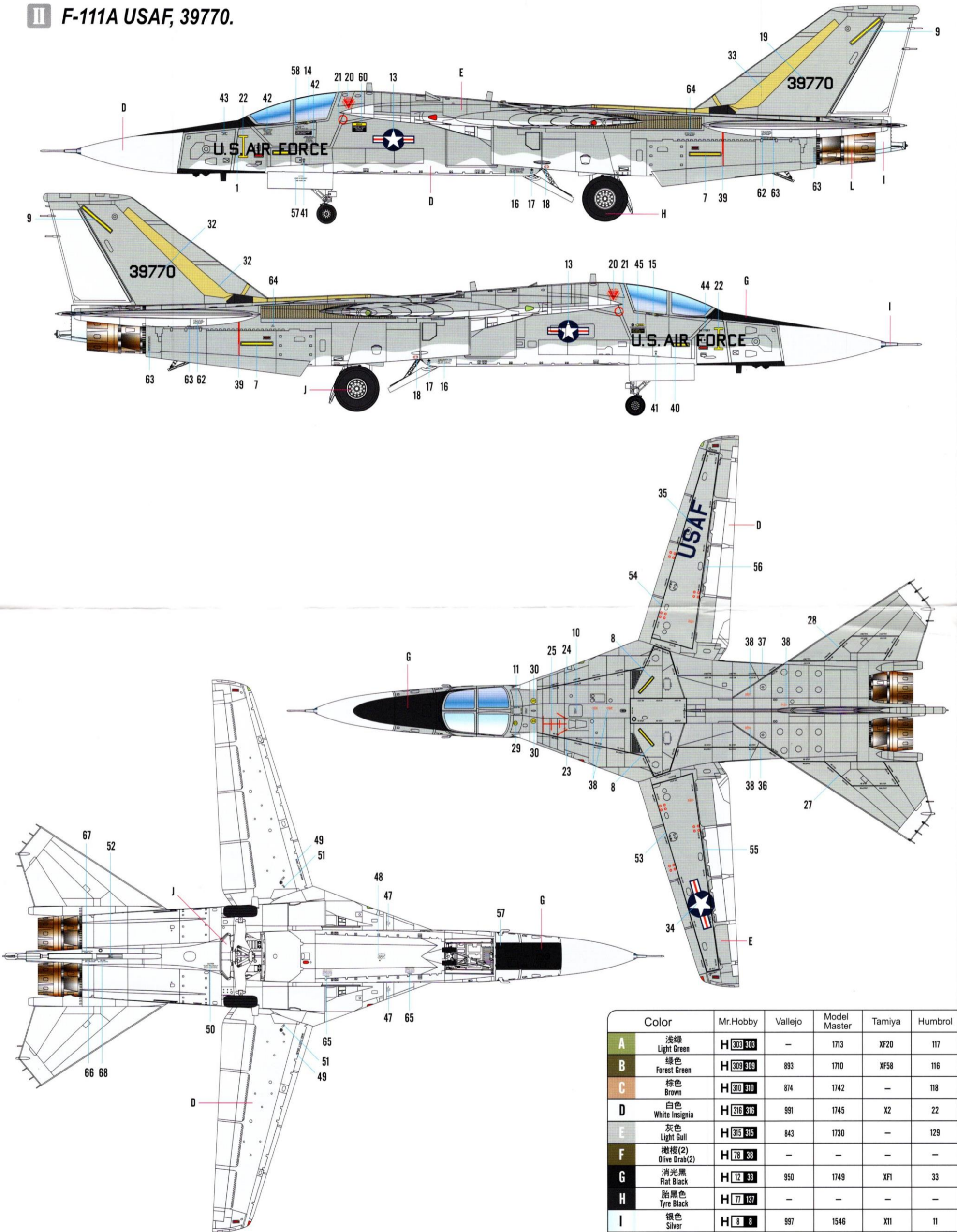
The method to apply the decals

1. Cut off the decal from the decal paper and put it into the warm water 40°C for 10 seconds.
 2. Take the decal from the water and put it on a piece of clean cloth.
 3. Remove the decal slowly from the paper to the targeted location by a wet finger.
 4. Use a piece of dry and soft cloth to press it gently on the decal until it getting dry and no bubble existing.

水贴纸的使用方法：

一、把相关的水贴从水贴纸上剪下，放入40°C左右的温水中浸10秒。
 二、然后将印花放在干净的布上。
 三、戴上印花模板，手指蘸水将印花移到适当的位置。
 四、用软干布轻压印花直至干平，气泡消失。

II F-111A USAF, 39770.



Color	Mr.Hobby	Vallejo	Model Master	Tamiya	Humbrol
A 浅绿 Light Green	H 303 303	—	1713	XF20	117
B 绿色 Forest Green	H 309 309	893	1710	XF58	116
C 棕色 Brown	H 310 310	874	1742	—	118
D 白色 White Insignia	H 316 316	991	1745	X2	22
E 灰色 Light Gull	H 315 315	843	1730	—	129
F 橄榄(2) Olive Drab(2)	H 78 38	—	—	—	—
G 消光黑 Flat Black	H 12 33	950	1749	XF1	33
H 胎黑色 Tyre Black	H 77 137	—	—	—	—
I 银色 Silver	H 8 8	997	1546	X11	11
J 白色 White	H 1 1	842	1745	X2	22
K 卡其色 Khaki	H 81 55	988	—	XF49	26
L 烧铁色 Burned Iron	H 76 61	863	1795	X10	53

I F-111A, 67-113, Vietnam, August 15, 1973.

