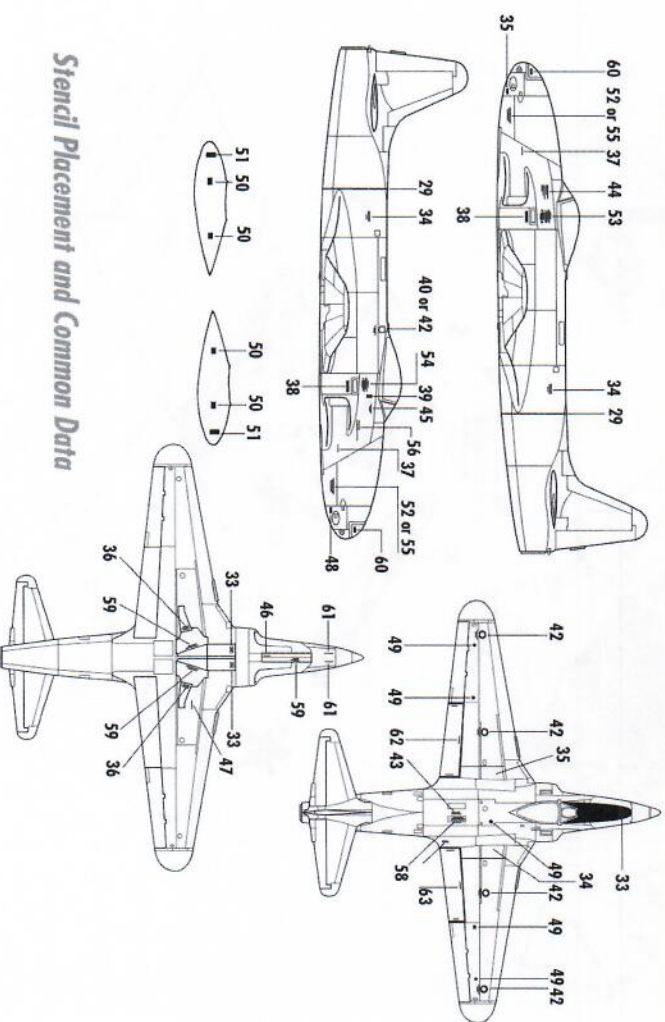
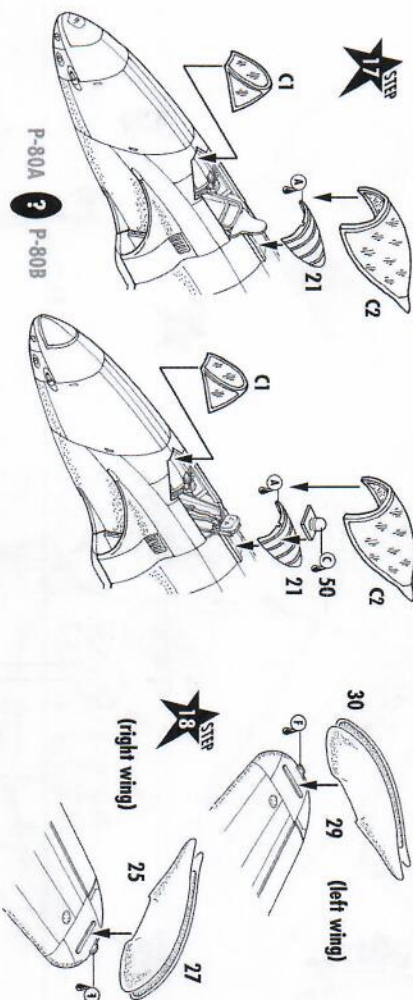
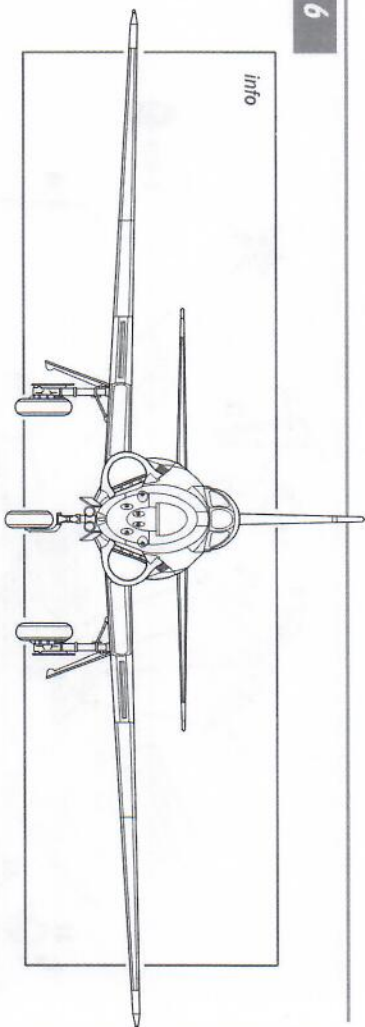


Info



Stencil Placement and Common Data

Lockheed P-80A/B

SW 72106 scale: 1/72



The airplane had its origin in June 1943, when Lockheed was requested to design a fighter around the De Havilland turbojet engine developed in England in response to Germany's twin-engine jet fighter, the Messerschmitt Me 262. It was flown for the first time on January 8, 1944, and its performance was very good. The USAAF planned to build the Shooting Star large numbers. Four were sent to Europe for operational testing (two to England and two to the 1st Fighter Group at Lesina Airfield, Italy) but when test pilot Major Frederic Borsodi was killed in a crash caused by an engine fire on 28 January 1945, in the cockpit of 44-83026 at RAF Burtonwood, the P-80A was temporarily grounded. Because of the delay the Shooting Star saw no combat in World War II. Anyway production continued, but in small scale.

The first unit equipped by P-80 was 412th Fighter Group located on Marc in autumn 1945. In 1947 P-80 changed its name to F-80, because newly independent USAF redesignated F (as fighter) to P (as pursuit).

Lockheed built 917 F-80A's and B's, one of which was modified for an attempt on the world speed record. On June 19, 1947, this plane achieved a speed of 623.8 miles per hour. Some of these modifications were retained in the F-80C, later used in Korean war in ground attack role, being superseded by F-84 and F-86 in later stages.

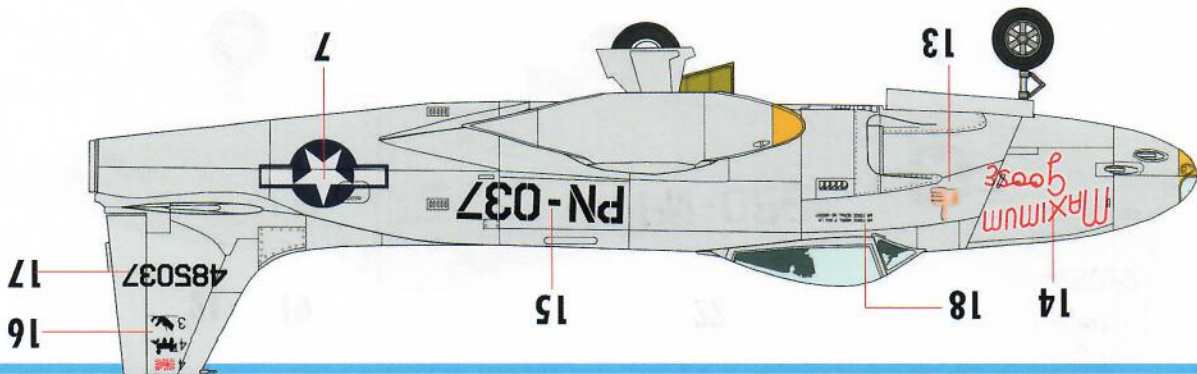
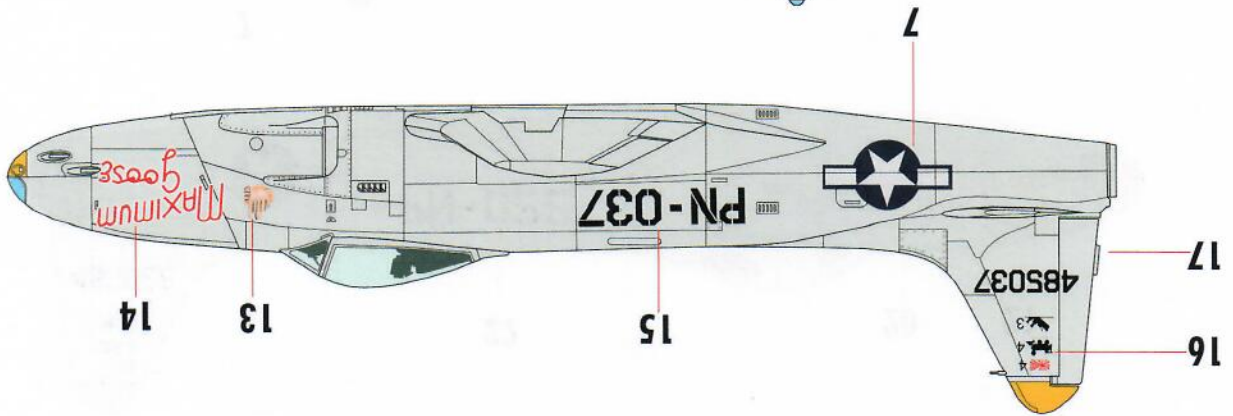
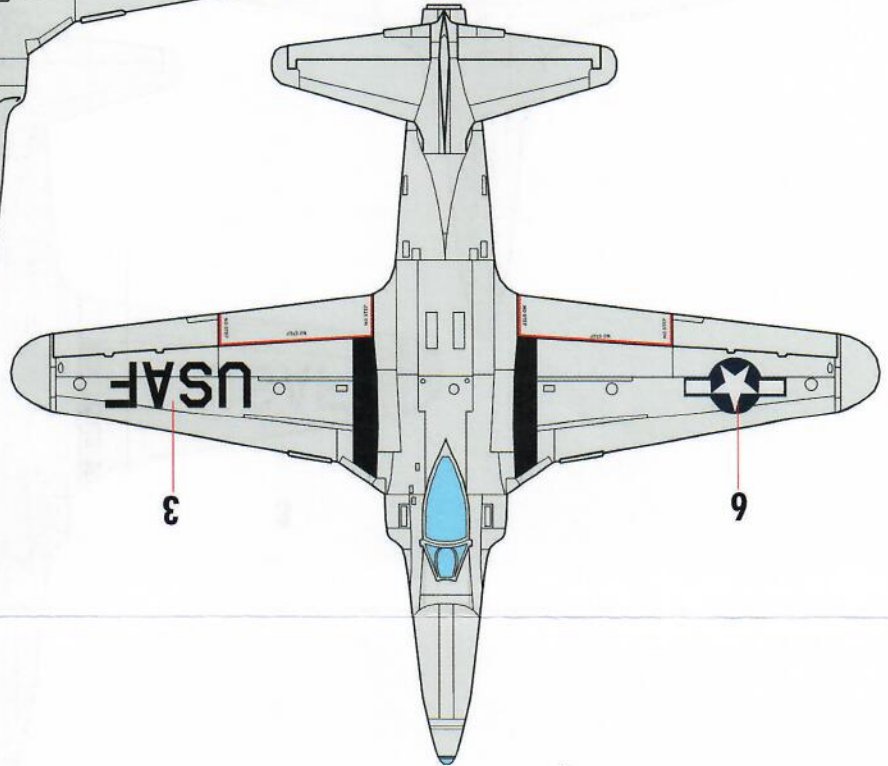
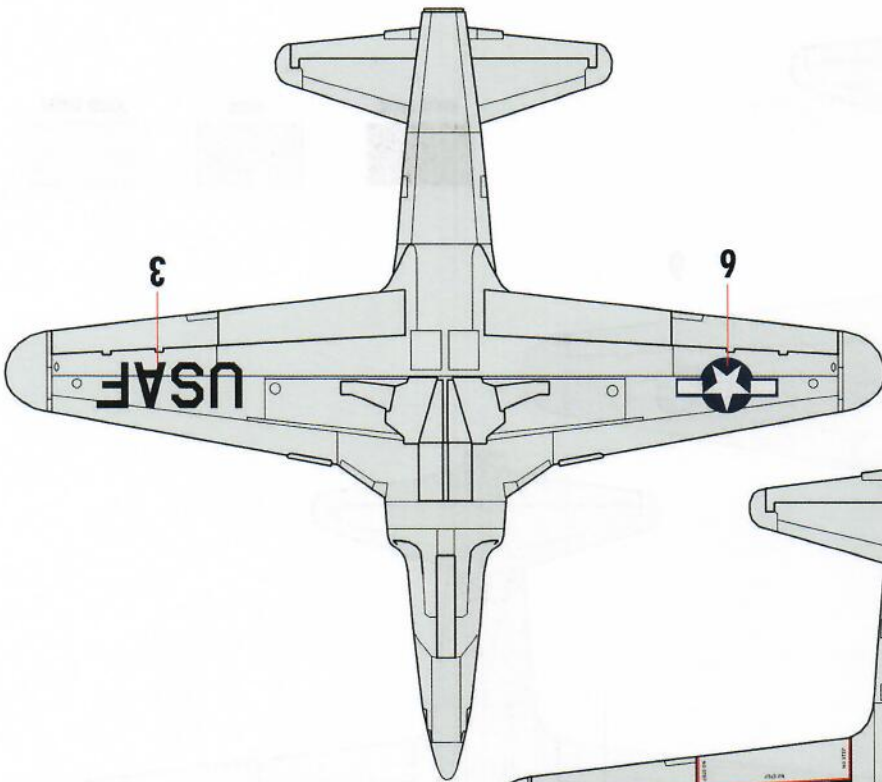
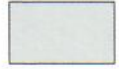
MATT BLACK



SAND



PEARL GREY



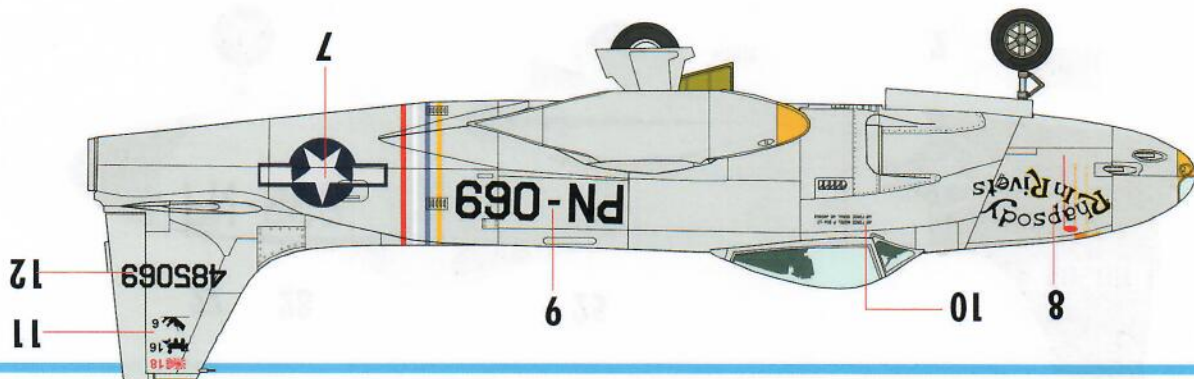
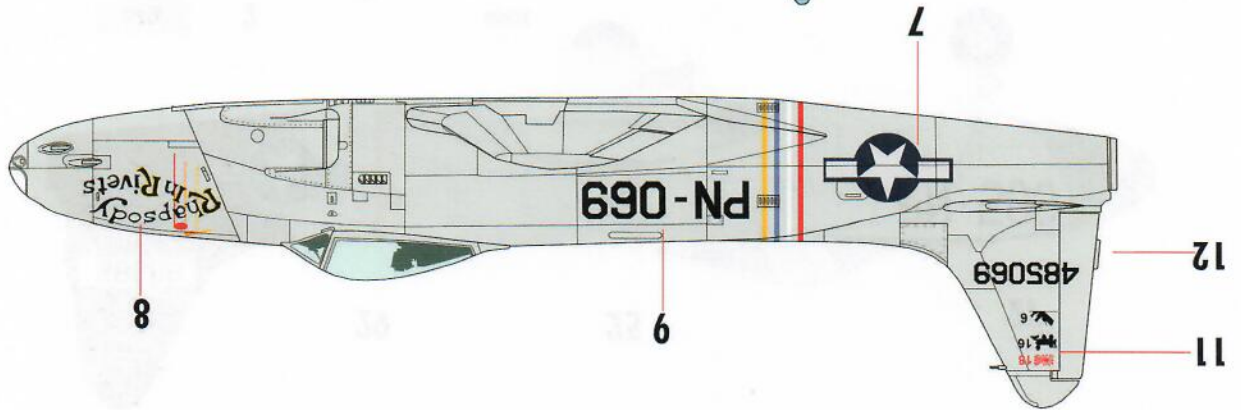
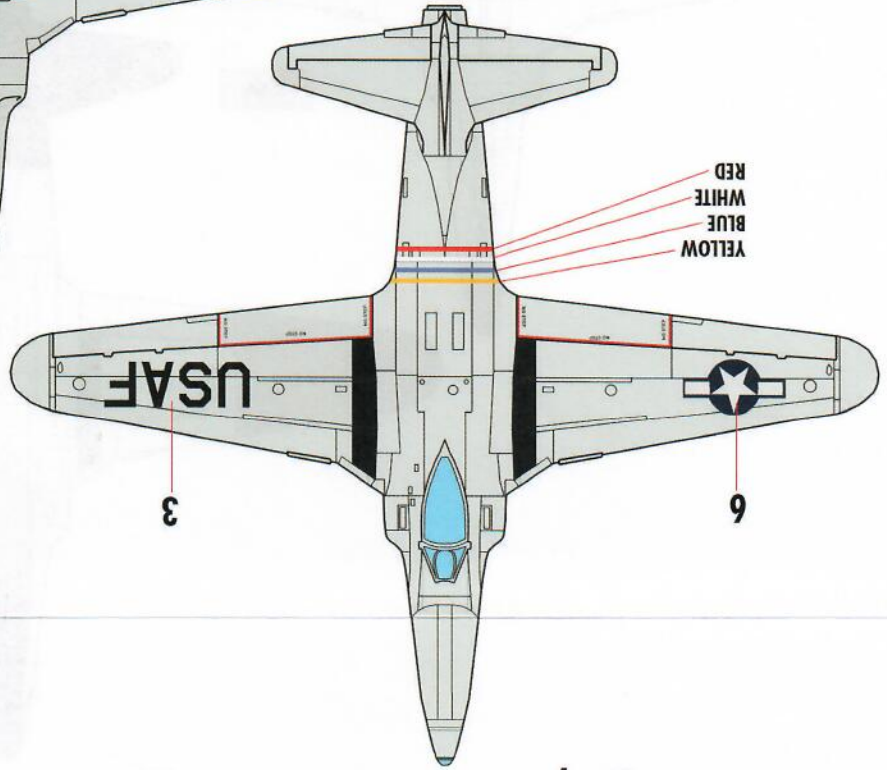
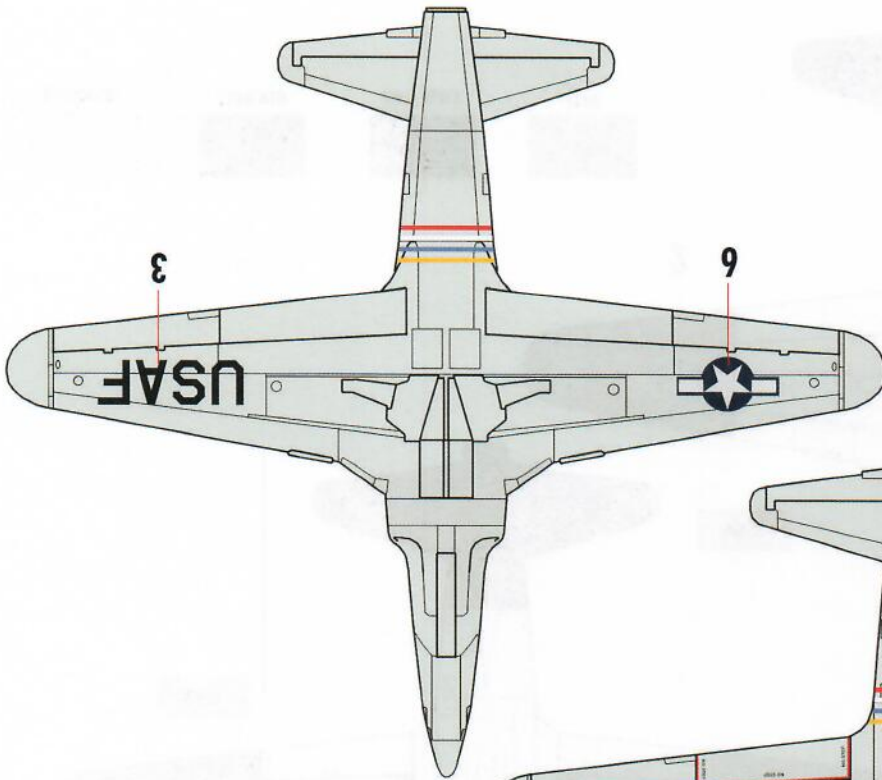
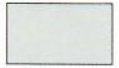
MATT BLACK

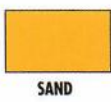
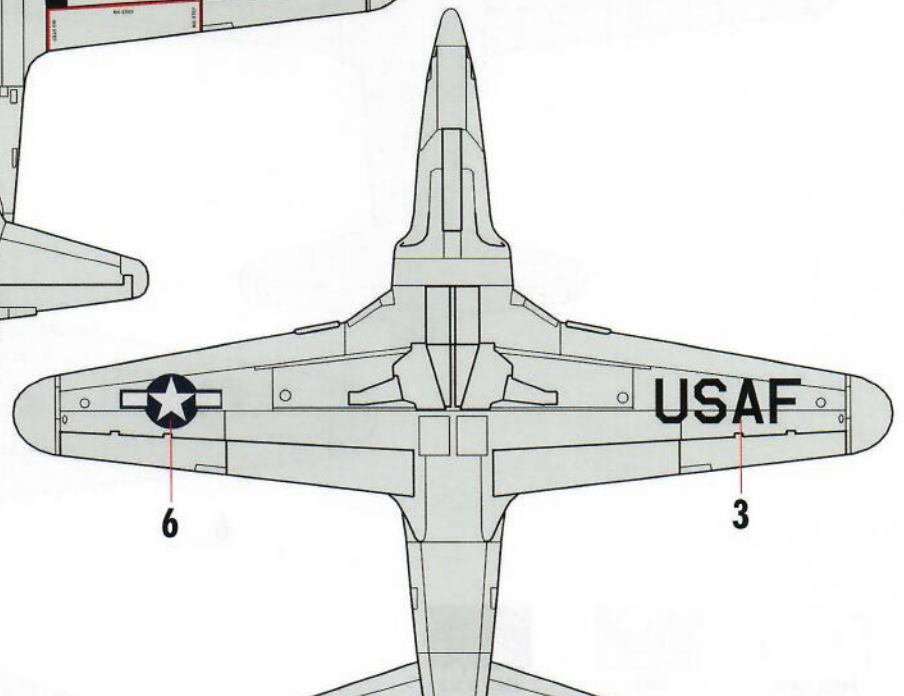
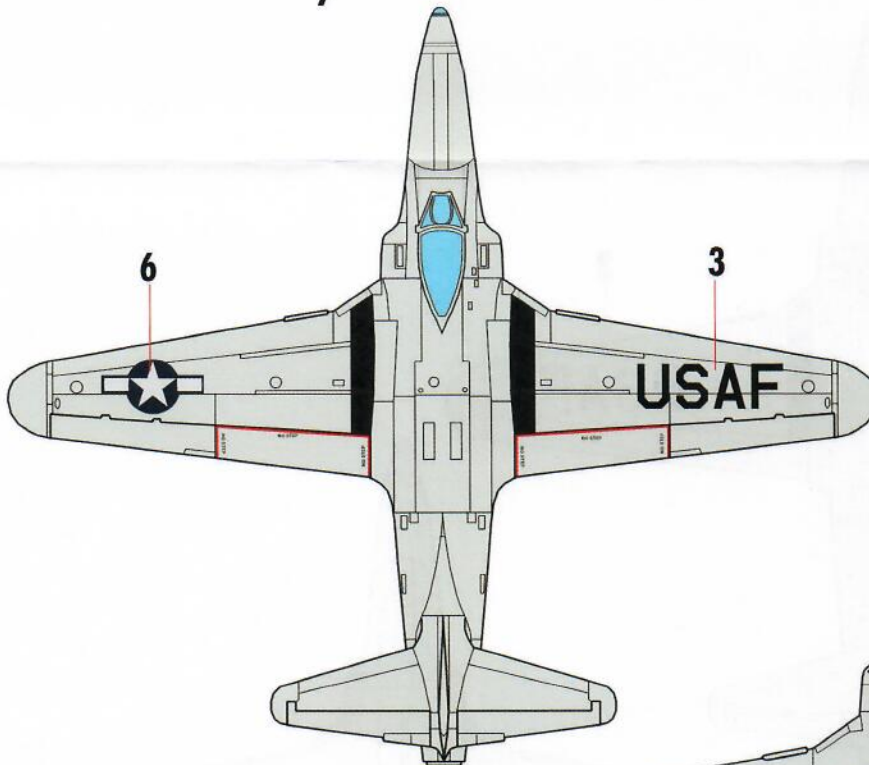
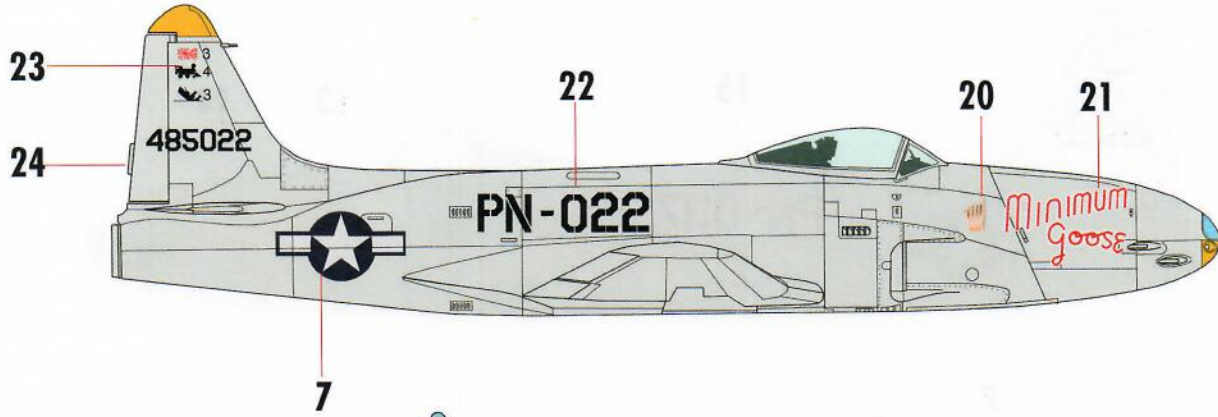
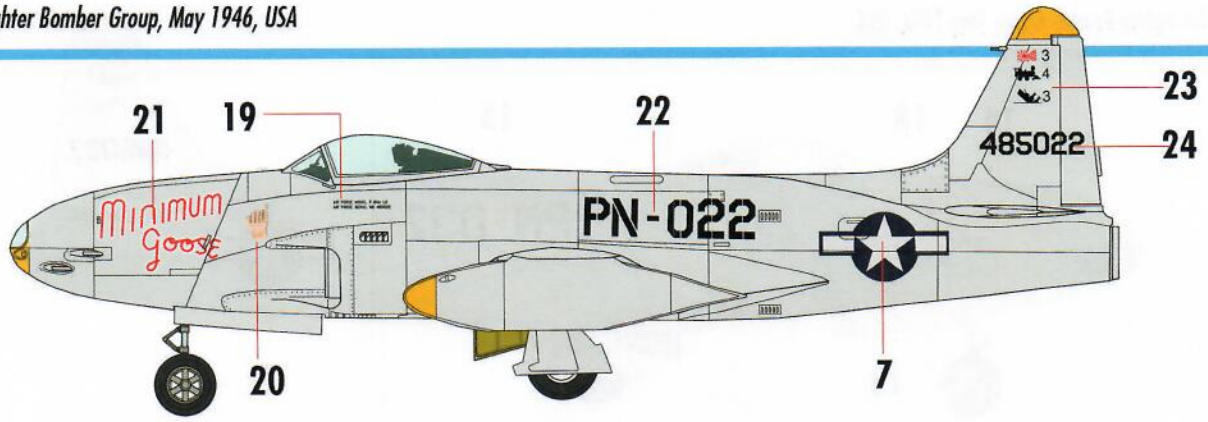


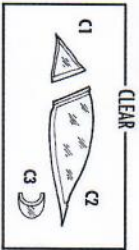
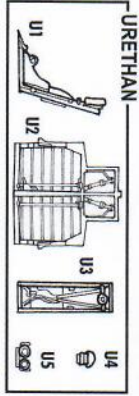
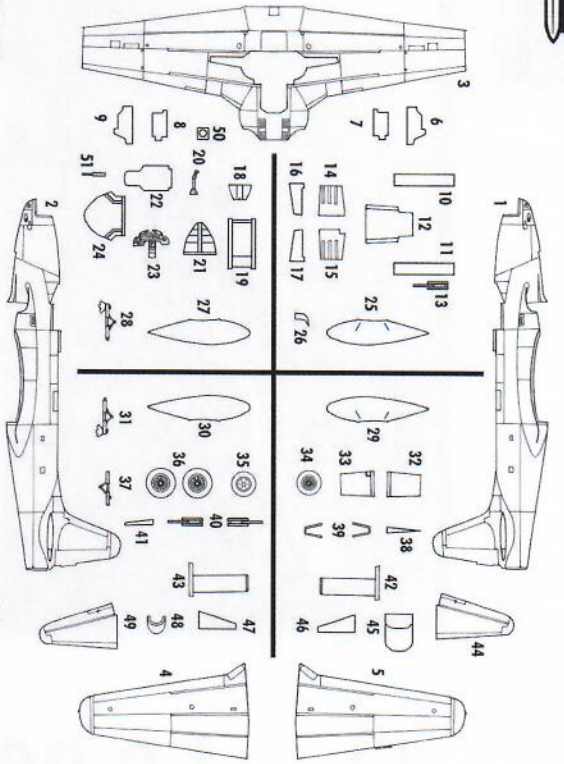
SAND



PEARL GREY







BARVA/COLOR

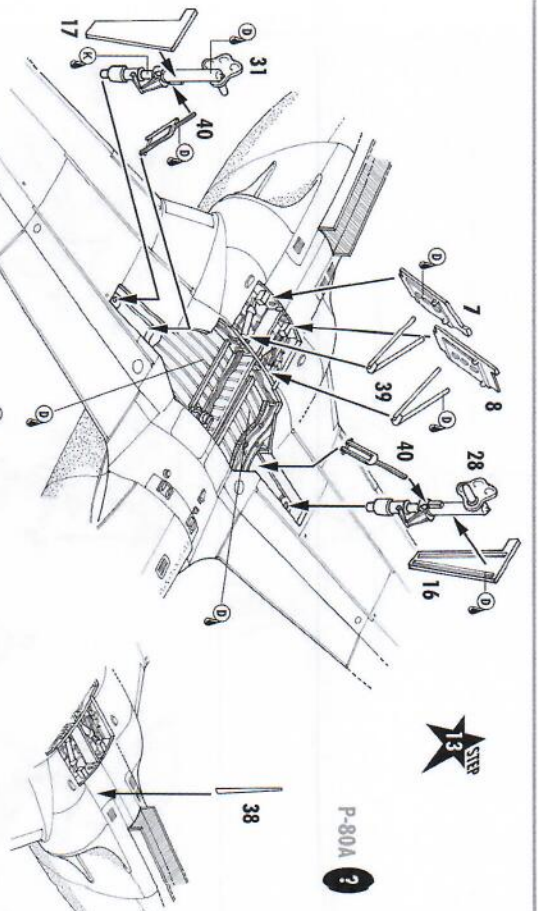
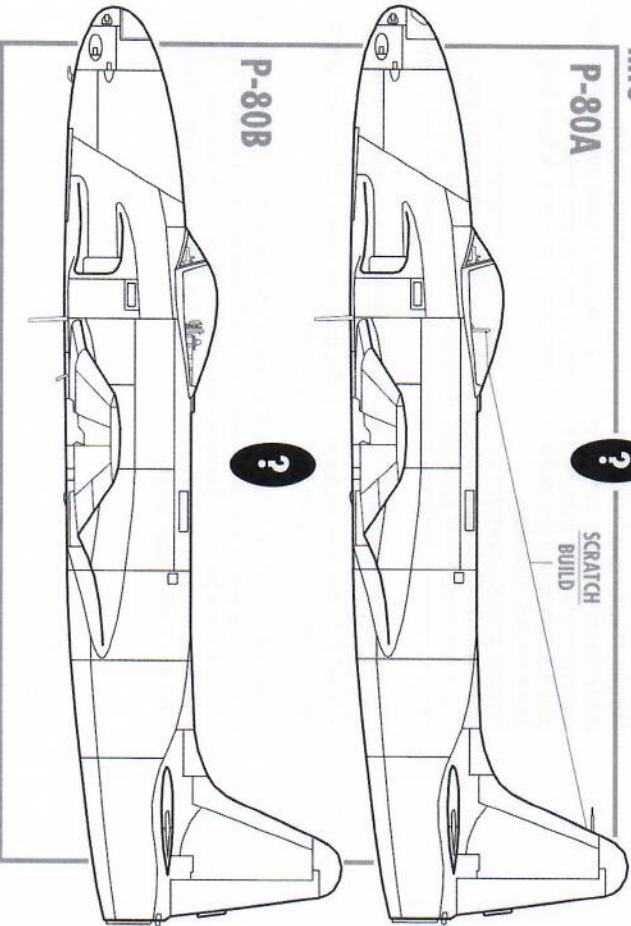
- A Černa/Black
- B Interiérová zeleň/Zinc chromane
- C Strhmat/Silver
- D Hliník/Aluminium
- E Svetlé šedá/Light Grey
- F Červená/Red
- G Žlutá/Yellow
- H Zelená/Green
- I Černosedař/Tyre Black
- J Špinavý hliník/Dirty Aluminium
- K Chromová/Chrome
- L Hnědá/Brown
- M Kovová/Gun metal

info

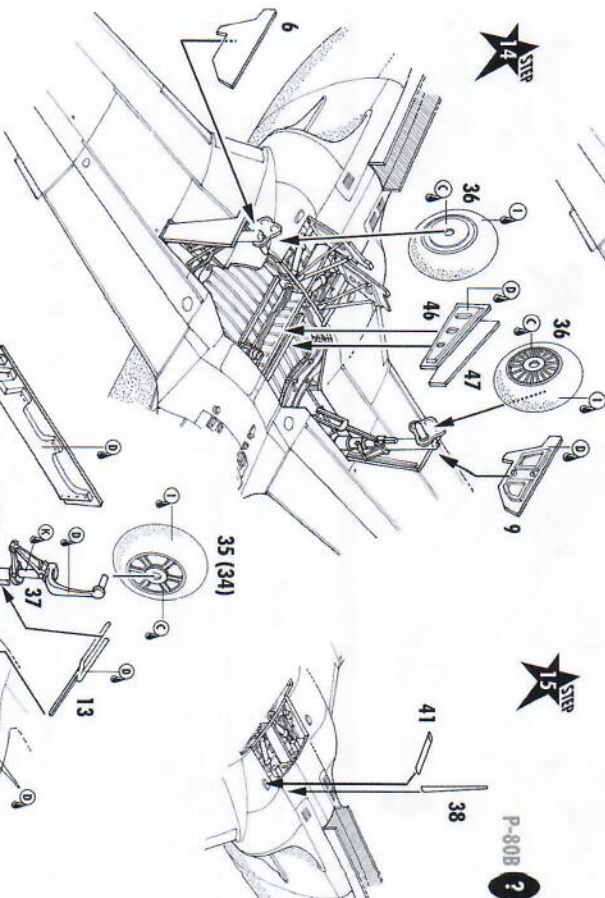
P-80A

SCRATCH BUILD

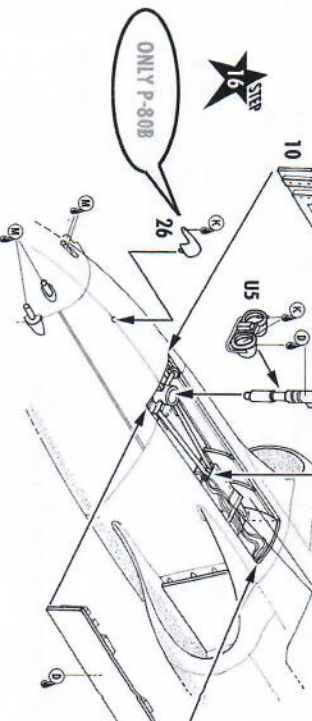
P-80B



P-80A ?



P-80B ?



ONLY P-80B