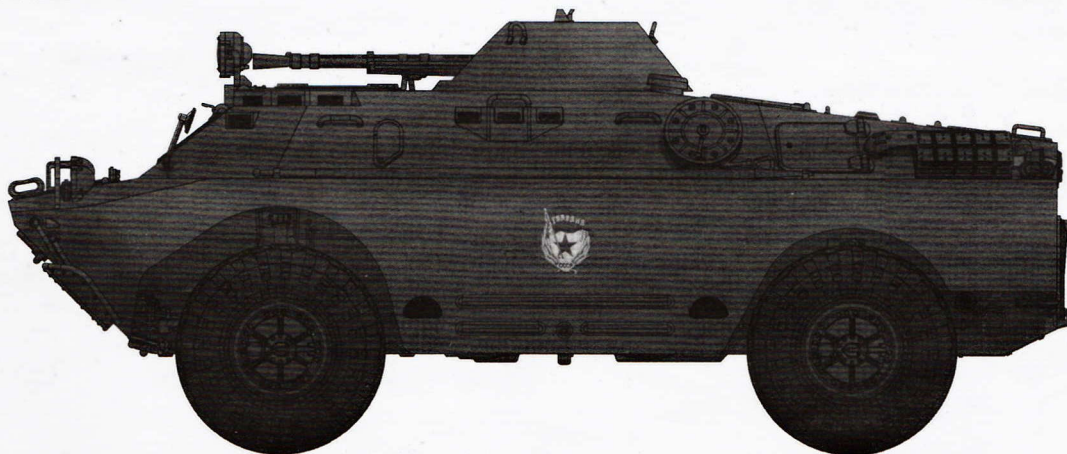


1/35 SCALE

ITEM NO.:05511



# Russian BRDM-2(EARLY)

## 俄罗斯BRDM-2(早期型)侦察车

### READ BEFORE ASSEMBLY:

- Study and understand these instructions thoroughly before beginning assembly
- When needed, remove photo-etch parts carefully using a modeling knife or photo etch sprue cutter, being careful not to damage or lose small parts.
- Take extra care in handling photo etch parts in order to avoid injury
- Apply instant cement sparingly to photo etch parts where instructed
- Tools recommended(not included in kit):Plastic and instant cements, sprue cutters,long nose pliers,modeling knife, small files, tweezers, pin vise & scissors. Soft cloth and sandpaper will also assist in construction
- Glue and paint are not included in the kit. Use plastic cement and hobby paints only. Color guide for purchasing paint is included in the kit.

### 装配之前仔细阅读

- 小心用模型锉刀锉平所有零件表面的注射浇口。
- 小心用刀片切下蚀刻片零件，不要遗失小零件。
- 用强力快干胶水粘合蚀刻片零件和金属轴。过量快干胶水使用可能导致可动零件会粘住，小心涂胶。
- 取蚀刻片时应特别注意安全，防止利刃划伤手指。
- 某些零件表面需贴水上贴纸，请选择在装配的同时进行。
- 推荐模型工具(自备)：胶水，水口剪刀，长咀钳，刀片，锉刀，镊子，钳，钻，剪刀，瞬间快干胶。
- 软布同砂纸同时也应该是必备工具。
- 请使用塑料胶水和油漆，模型内不含。



配重  
Weight



使用强力胶  
Cyanoacrylate glue



钻孔  
Make hole



切除  
Cut / Remove



贴纸  
Decal



锉平  
File / Sand



选择  
Option



不涂胶水  
No cement



弯曲  
Bend



填补  
Repair

### 水贴纸的使用:

- 1.从水贴纸上剪下印花;
- 2.将印花放入温水中浸10秒, 然后放在干净布上。
- 3.拿着印花纸板将印花移到模型上;
- 4.手指蘸水将印花移到适当的位置;
- 5.用软布轻压印花直至水干, 汽泡消失

### DECAL APPLICATION

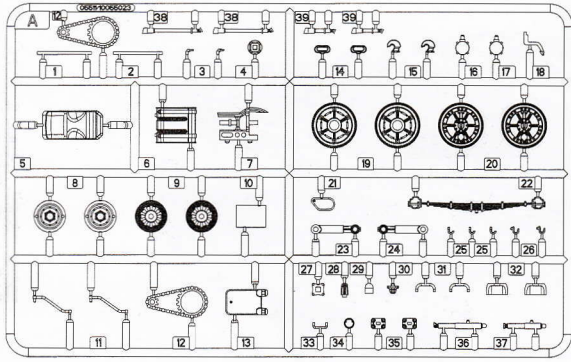
- 1.Cut decals from sheet as needed
- 2.Dip the decal in warm water for about 10 seconds and then place on soft clean cloth.
- 3.Hold the decal backing sheet edge and gently slide the decal onto the model in its proper position.

- 4.While still wet,decal can be adjusted for better fit on model by dampening it gently with your finger.
- 5.When placed in the proper position,gently press decal down with a soft cloth until excess water and air bubbles are gone.
- 6.Allow decal to dry completely before handling model

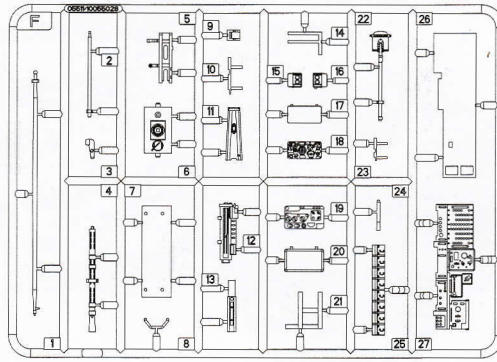


# 部品图 Part

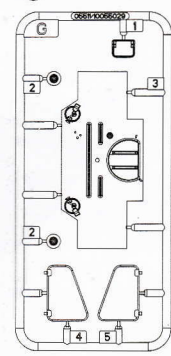
A×2



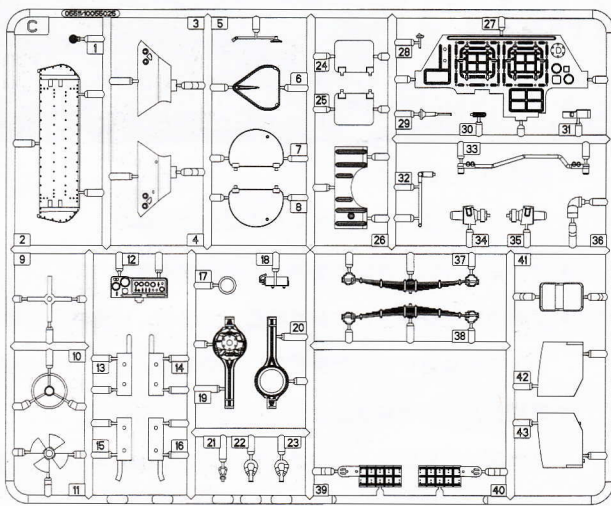
F



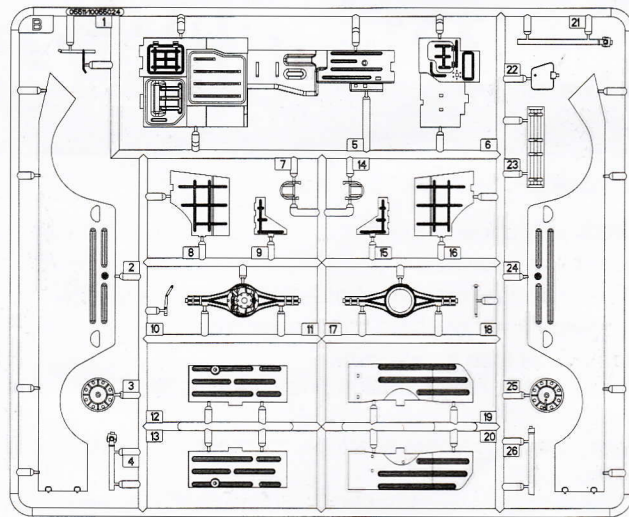
G



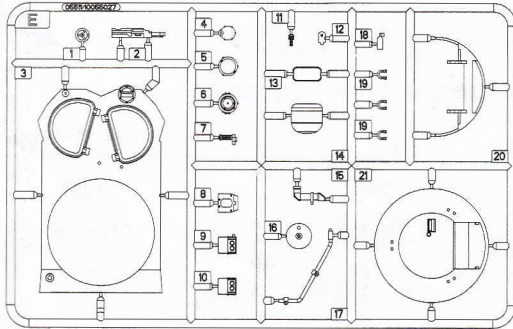
C



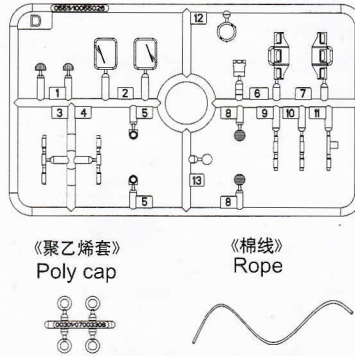
B



E



D



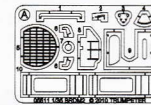
《大轮胎》  
Big tyre × 4



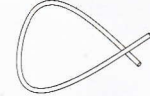
《小轮胎》  
Small tyre × 4



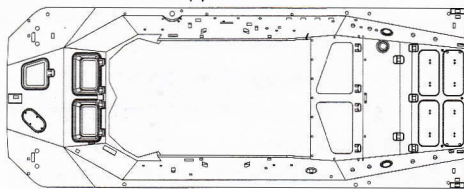
《蚀刻片》  
PE-A



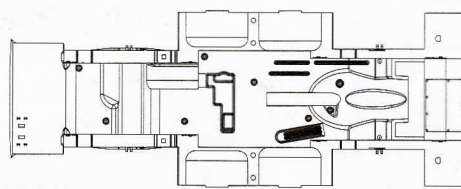
《铜缆》  
Brass wire



《车面》  
Upper hull



《车底》  
Lower hull



《水贴》  
Decal

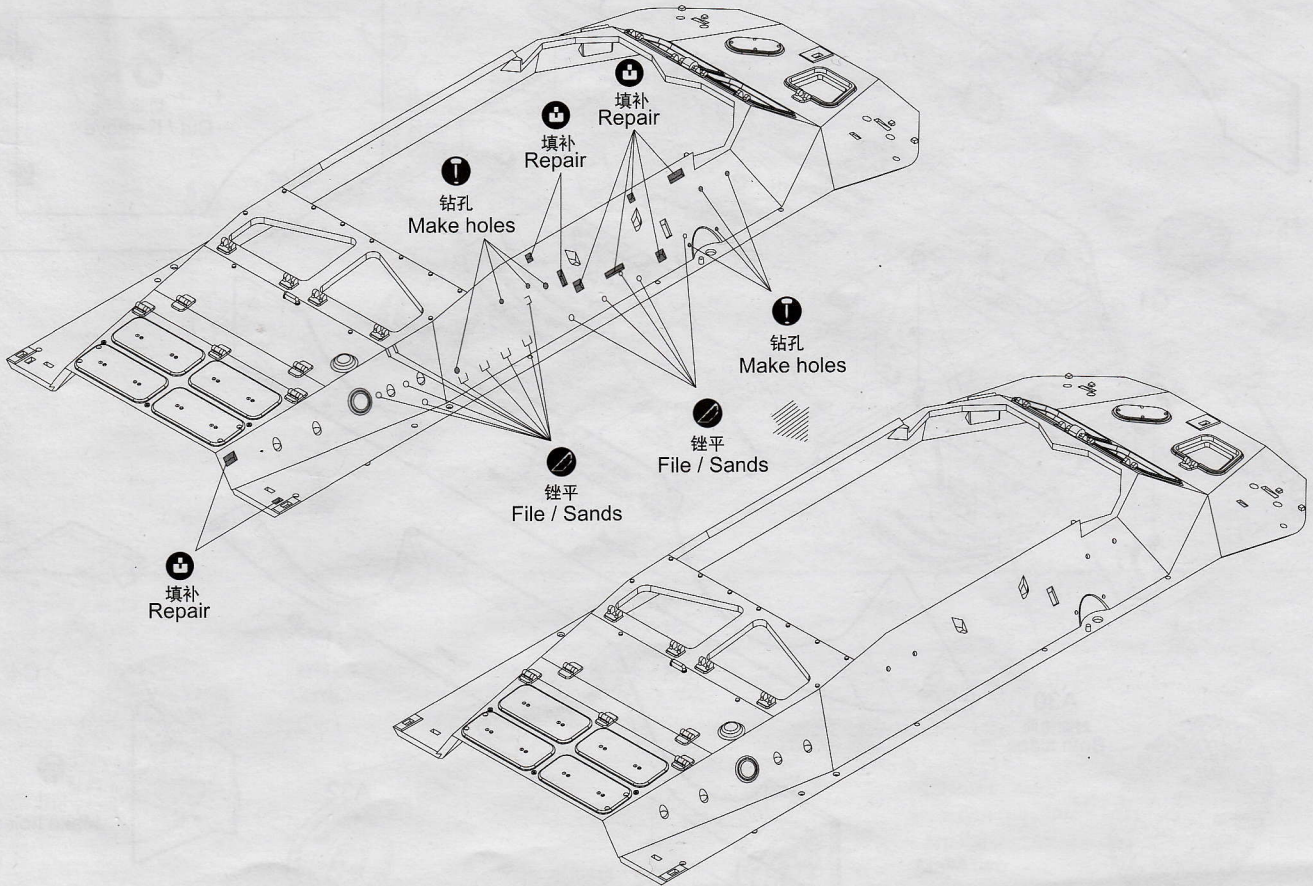
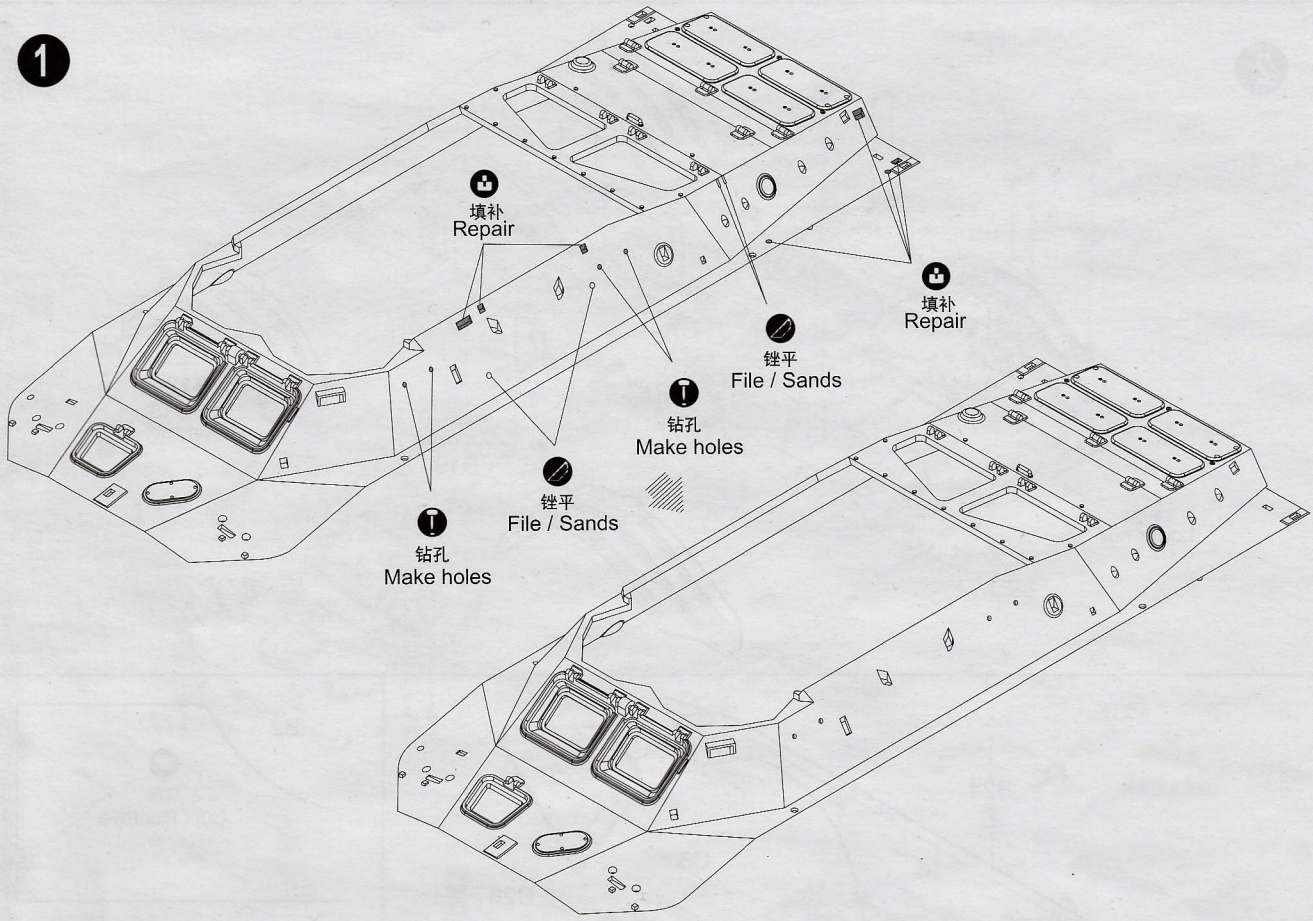


不用部品: PE-A10、A6、E5

Unused parts



1



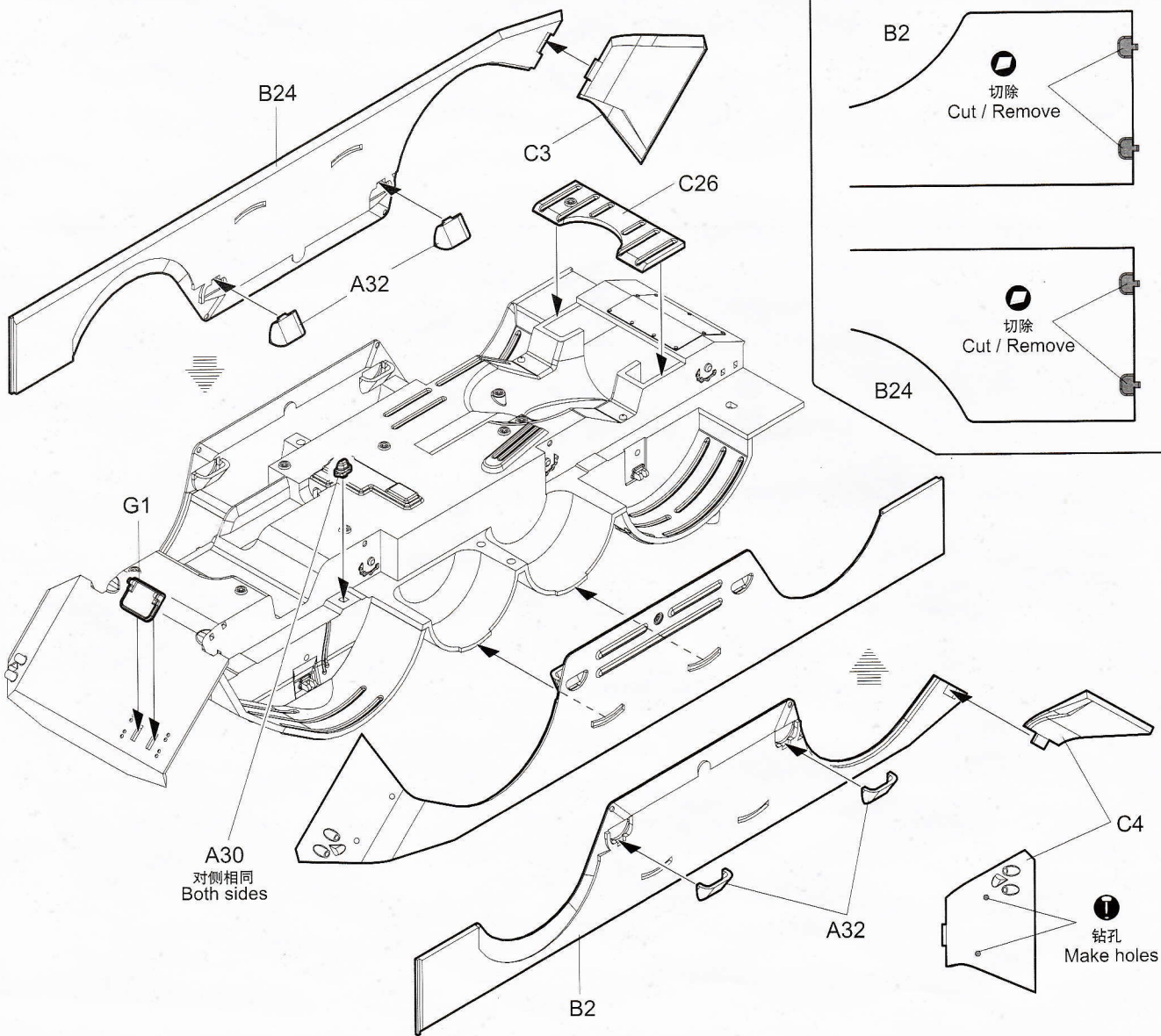


2

《车底》  
Lower hull

对侧B20  
Opposite  
B19

B12  
对侧B13  
Opposite

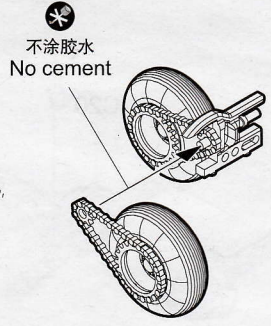
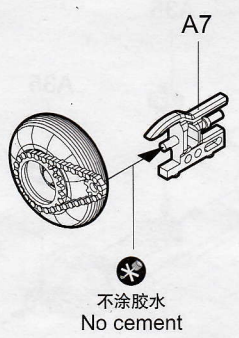
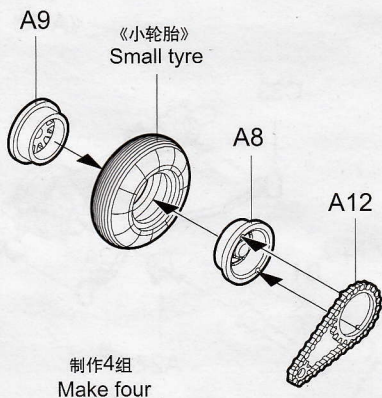


05511

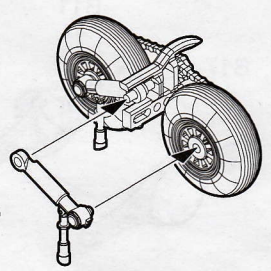
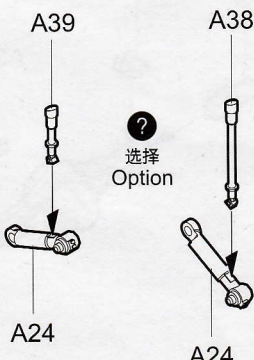
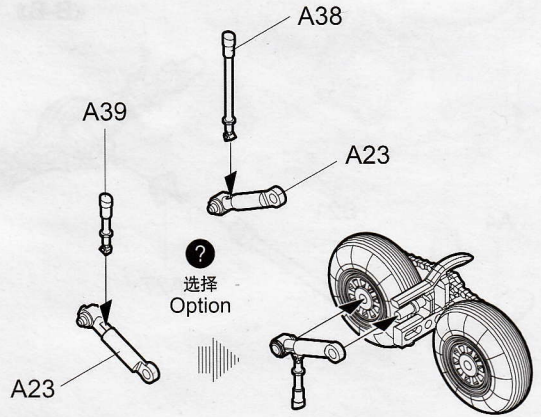
4



3

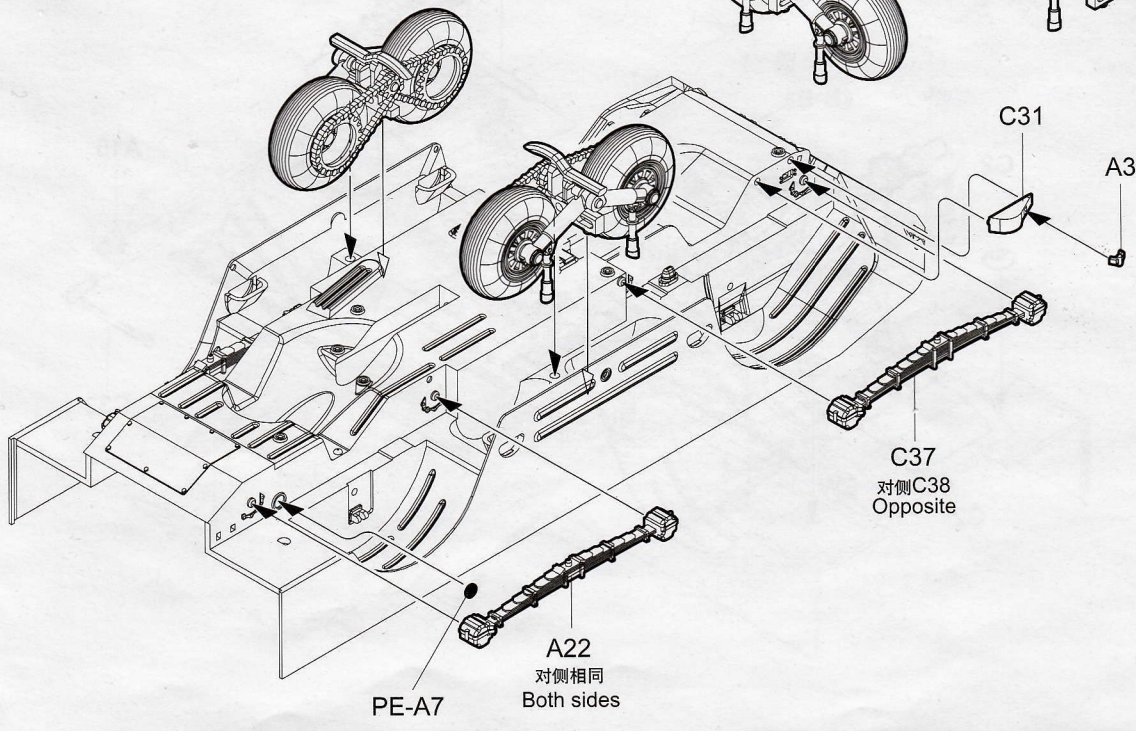
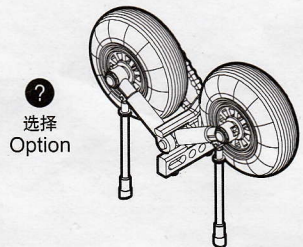
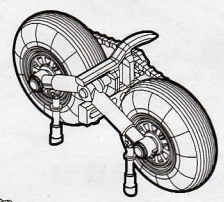


制作2组 Make two



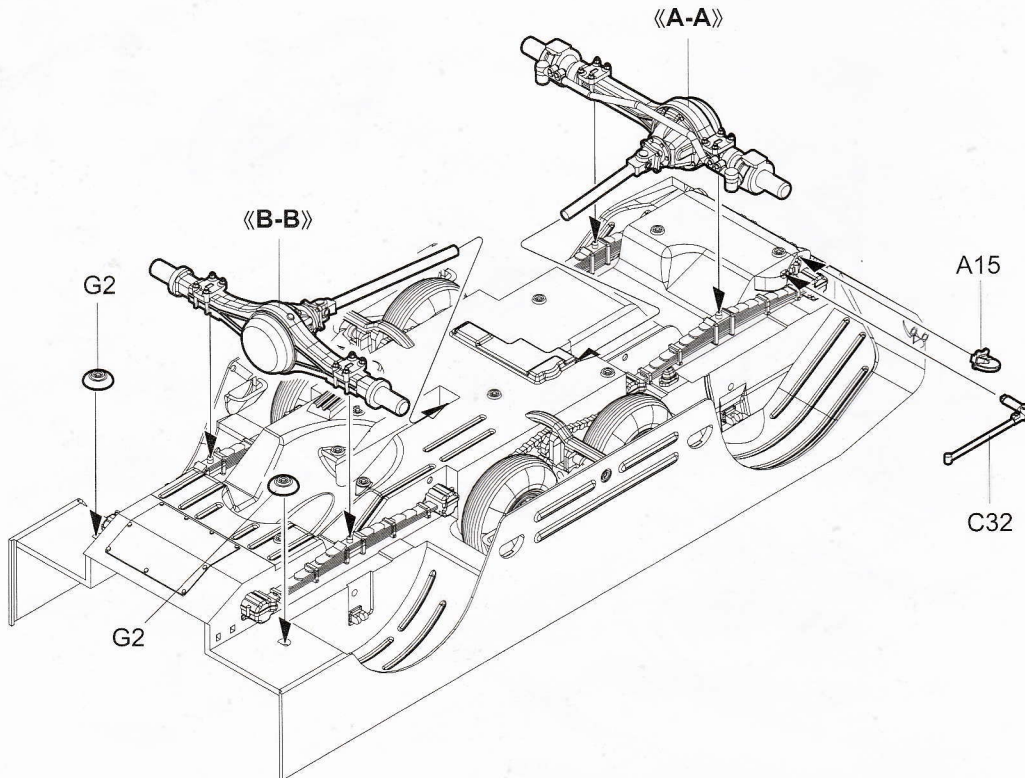
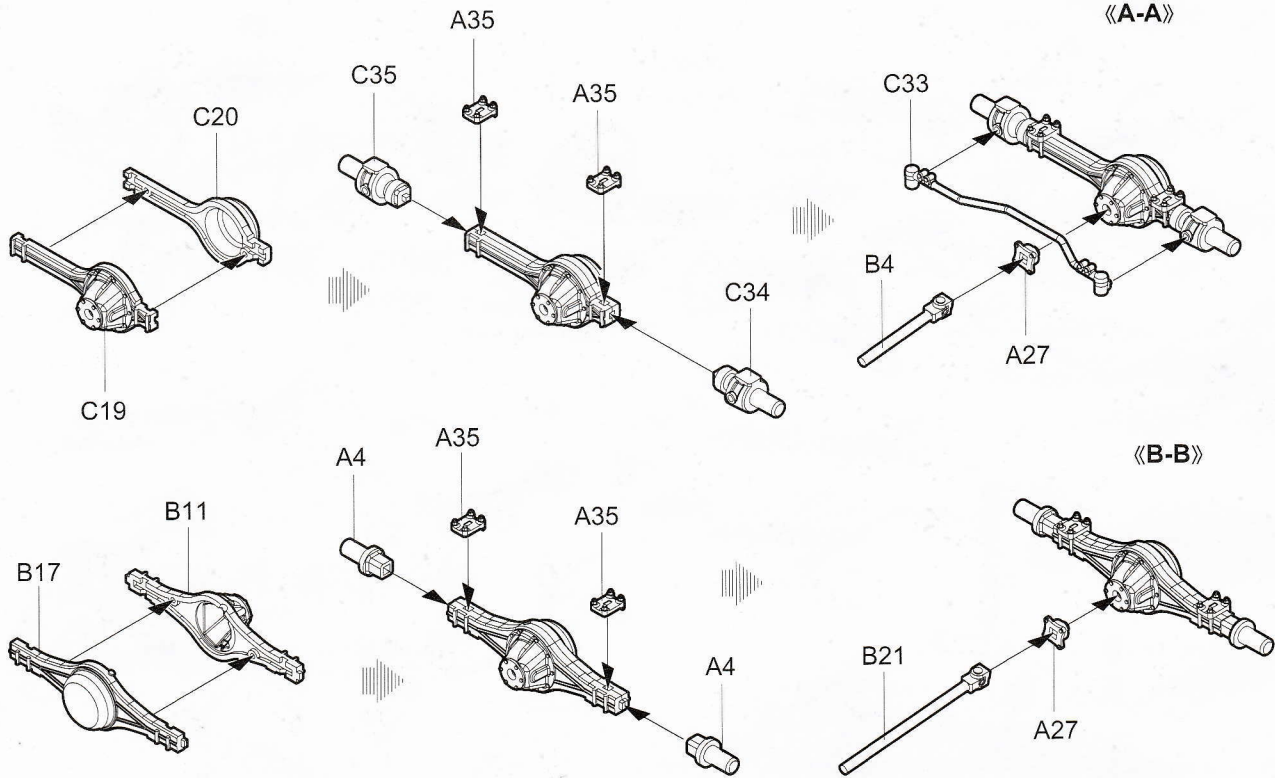
《收起状态》 Up

《放下状态》 Down





4





5

对侧相同  
Both sides

A1

对侧相同  
Both sides

A2

对侧相同  
Both sides

A15

A3  
对侧相同  
Both sides

A37  
对侧相同  
Both sides

A36  
对侧相同  
Both sides

A3

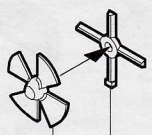
A26

B1

C10

B5

C42



C11

C9

B18

C30

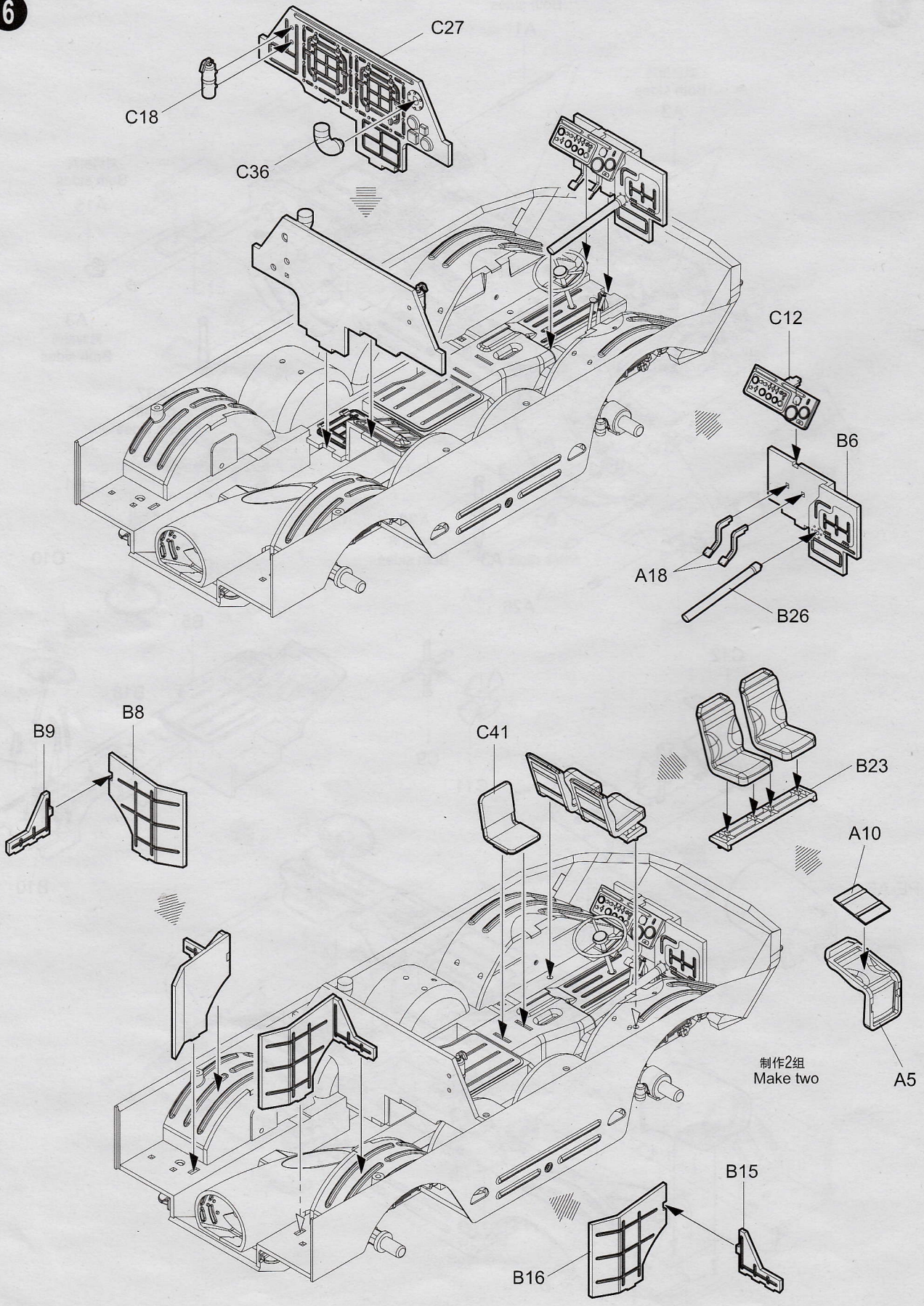
B10

PE-A5

C43

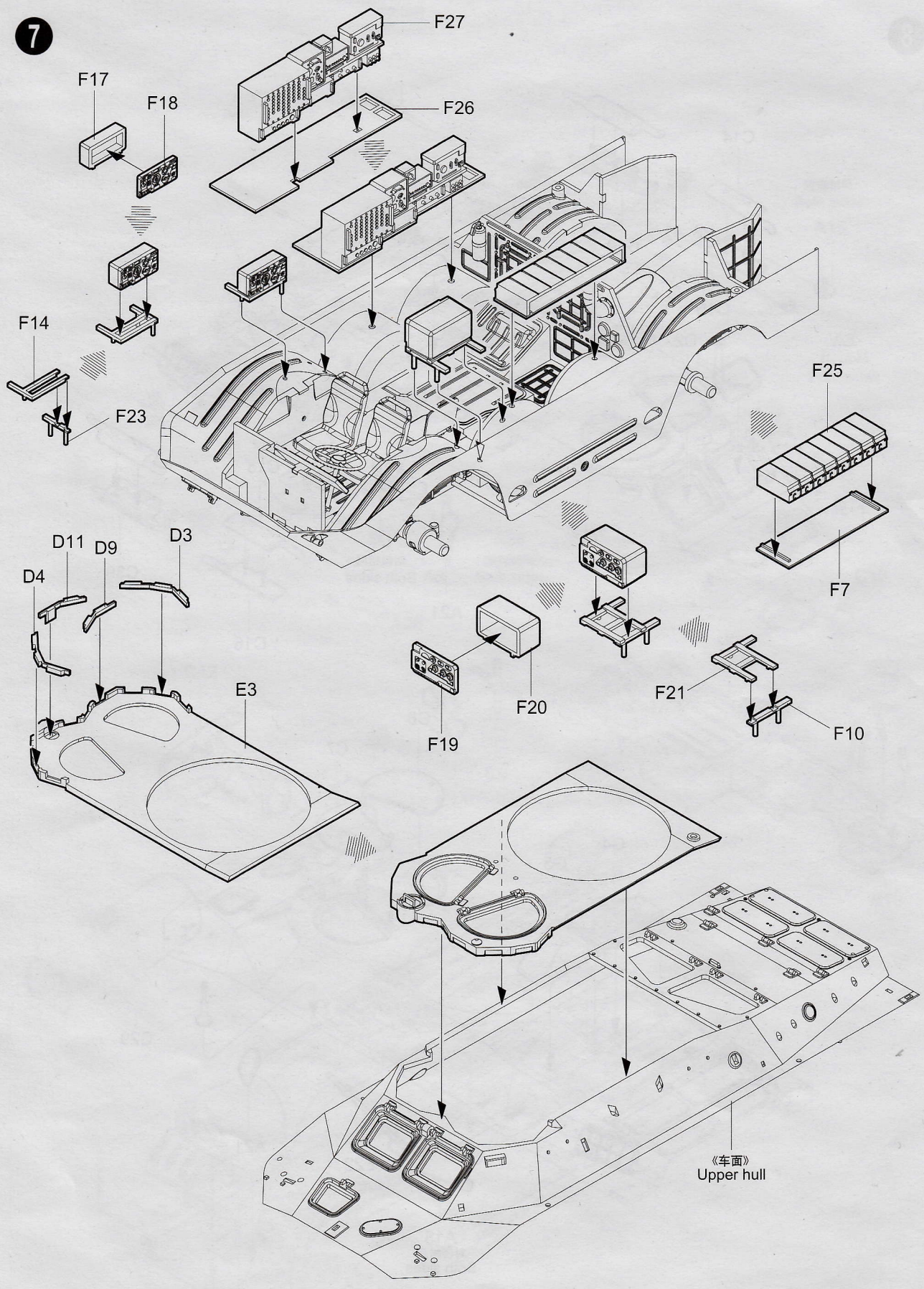


6

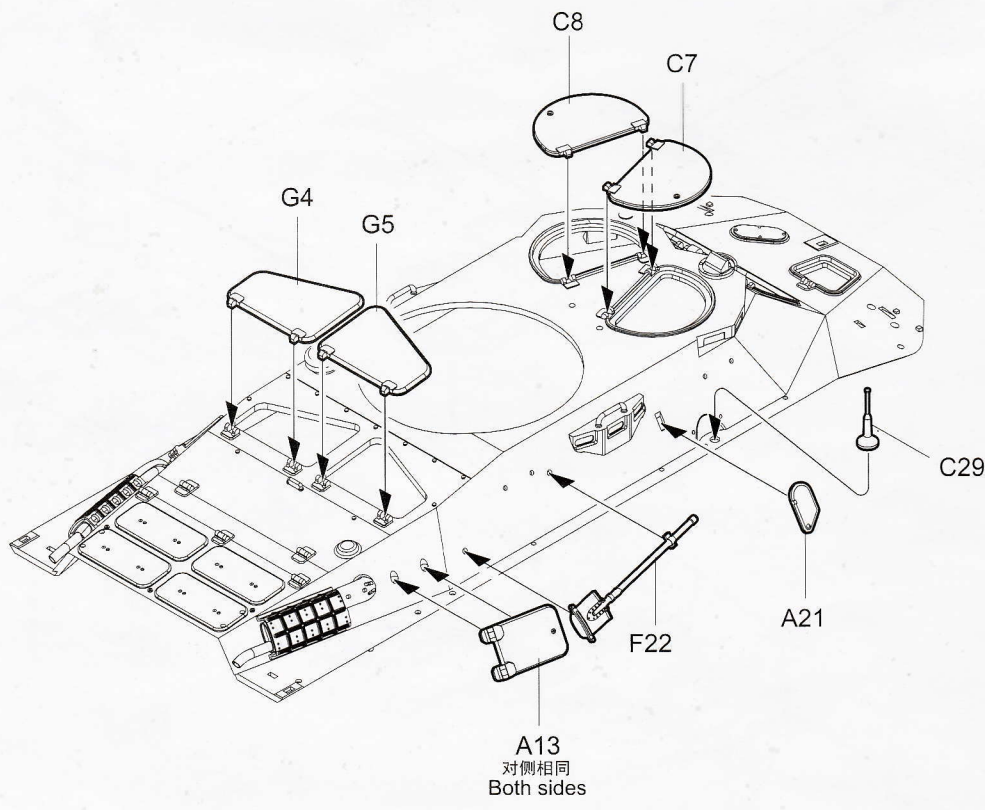
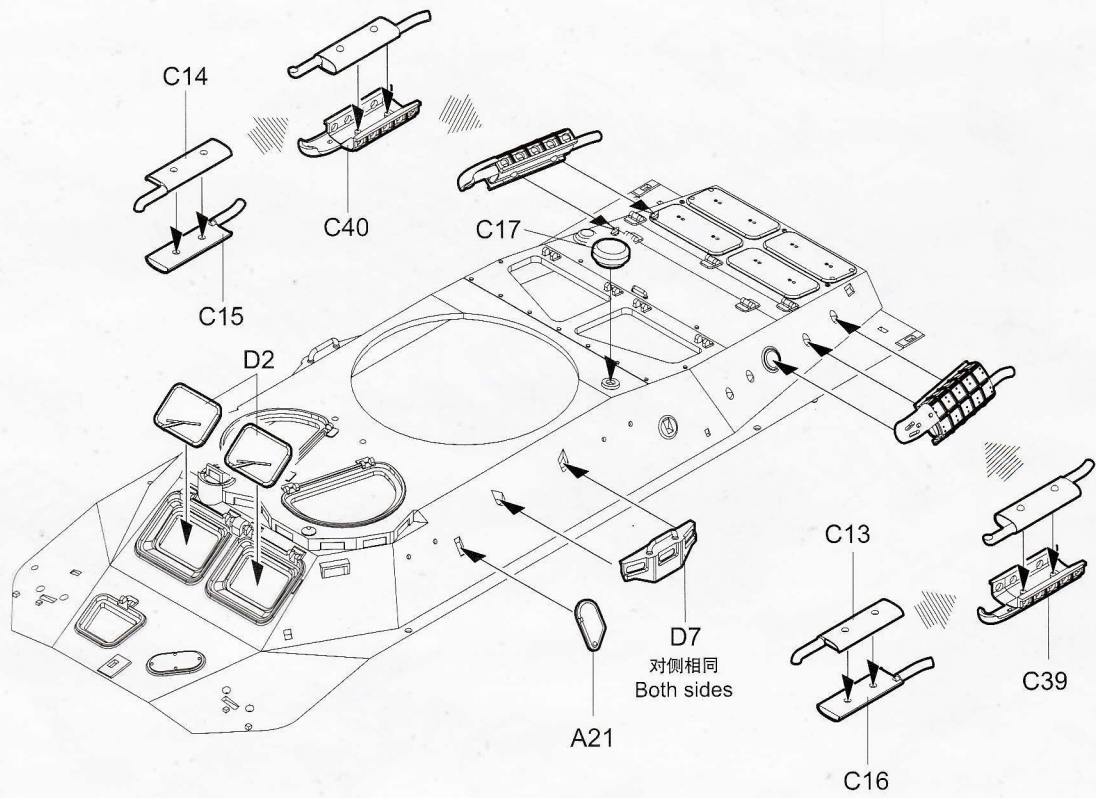




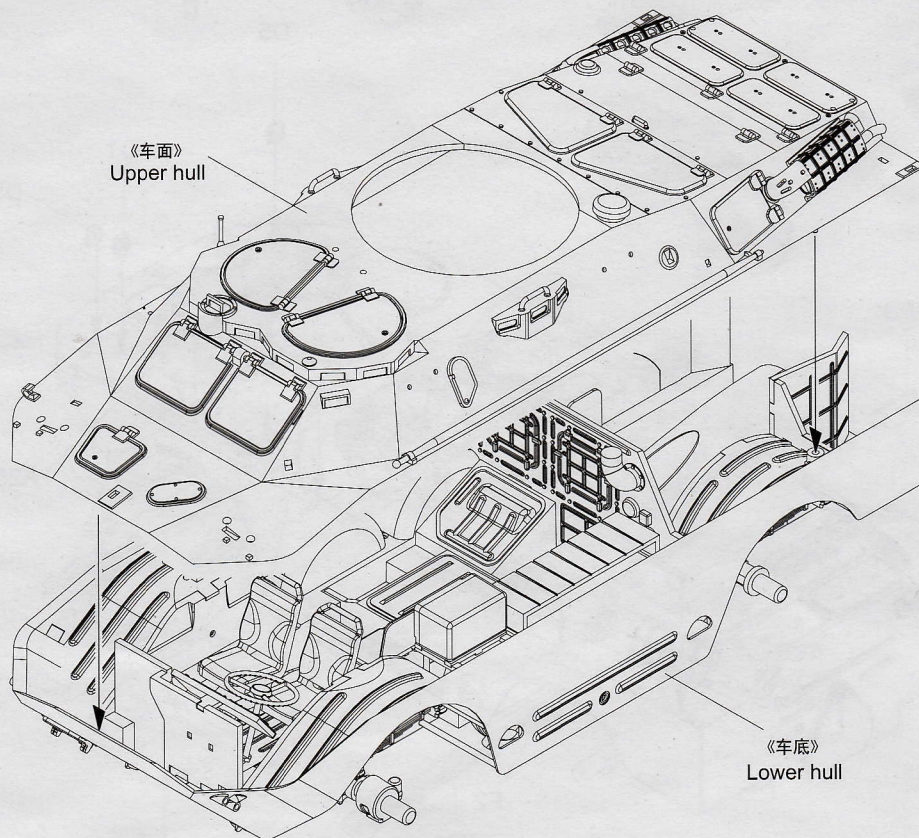
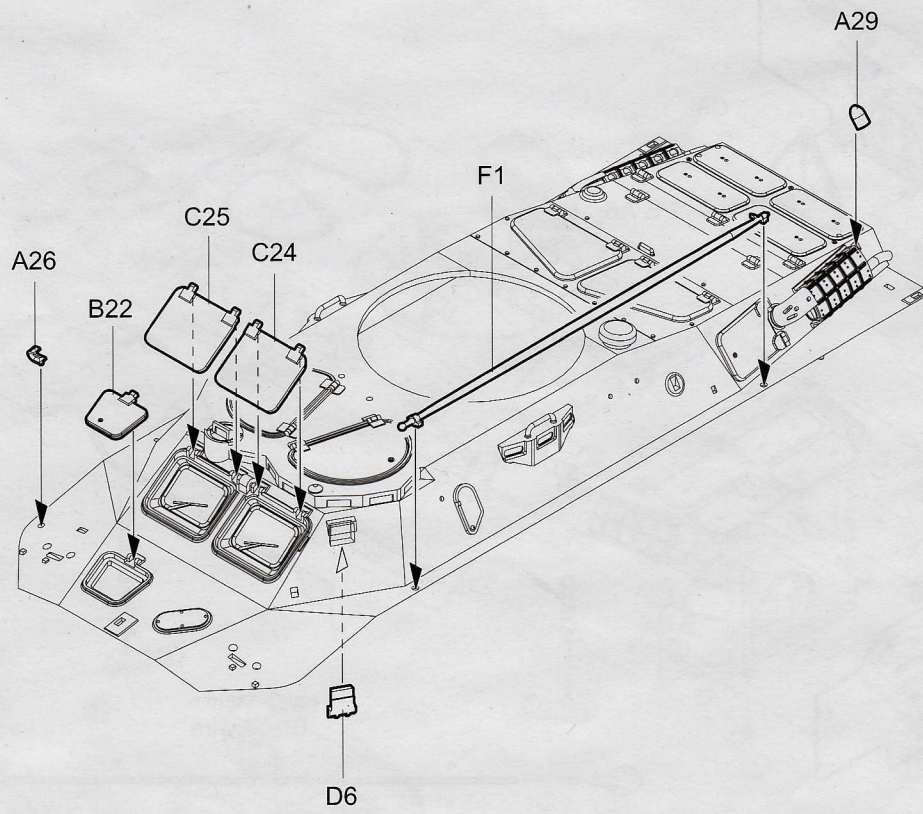
7





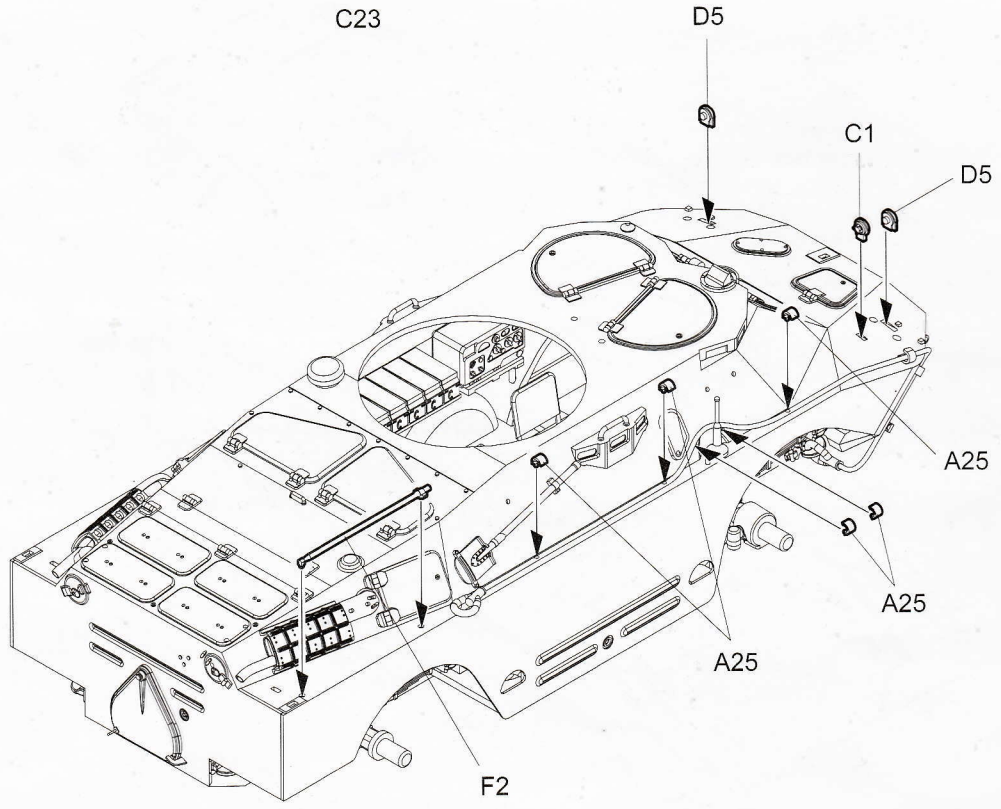
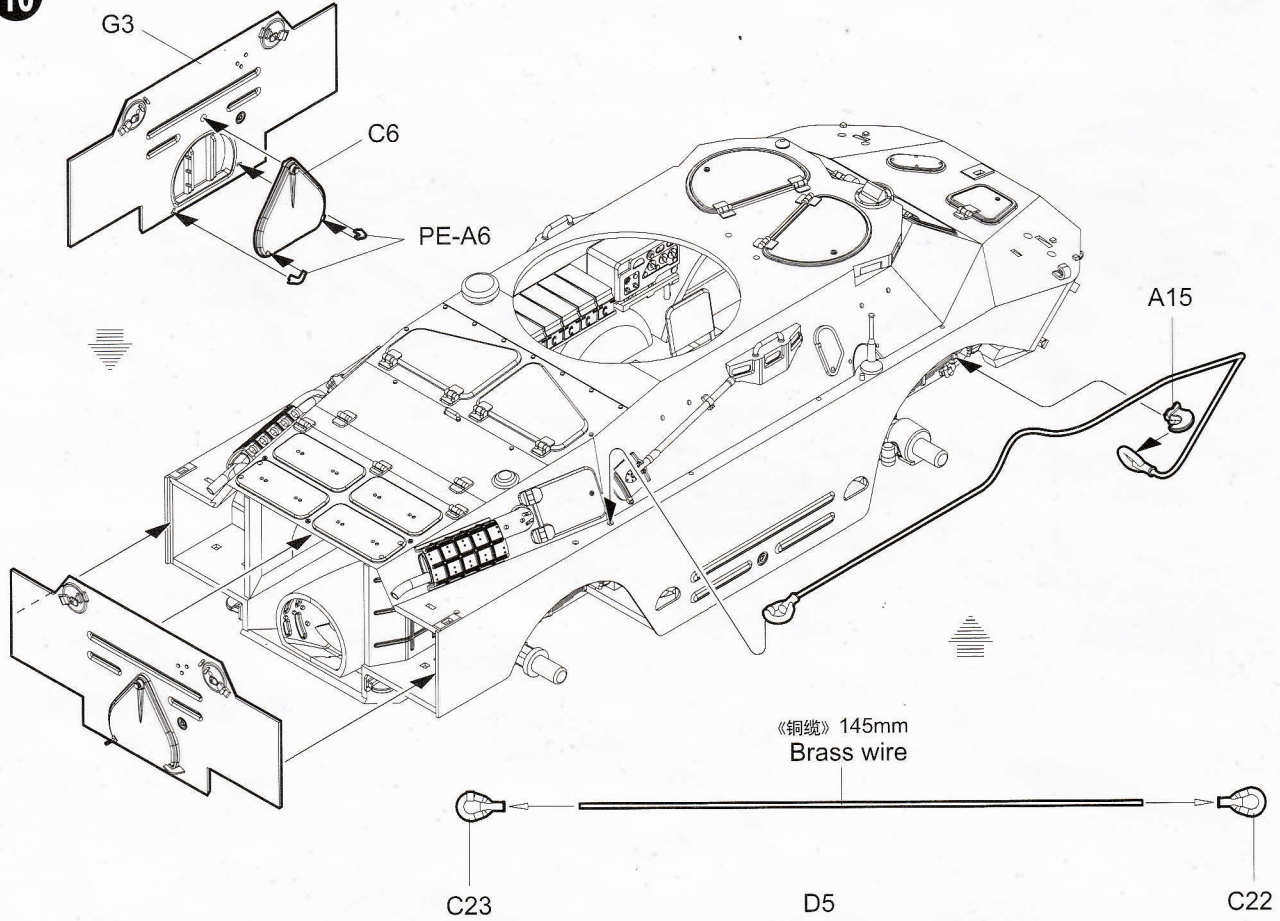






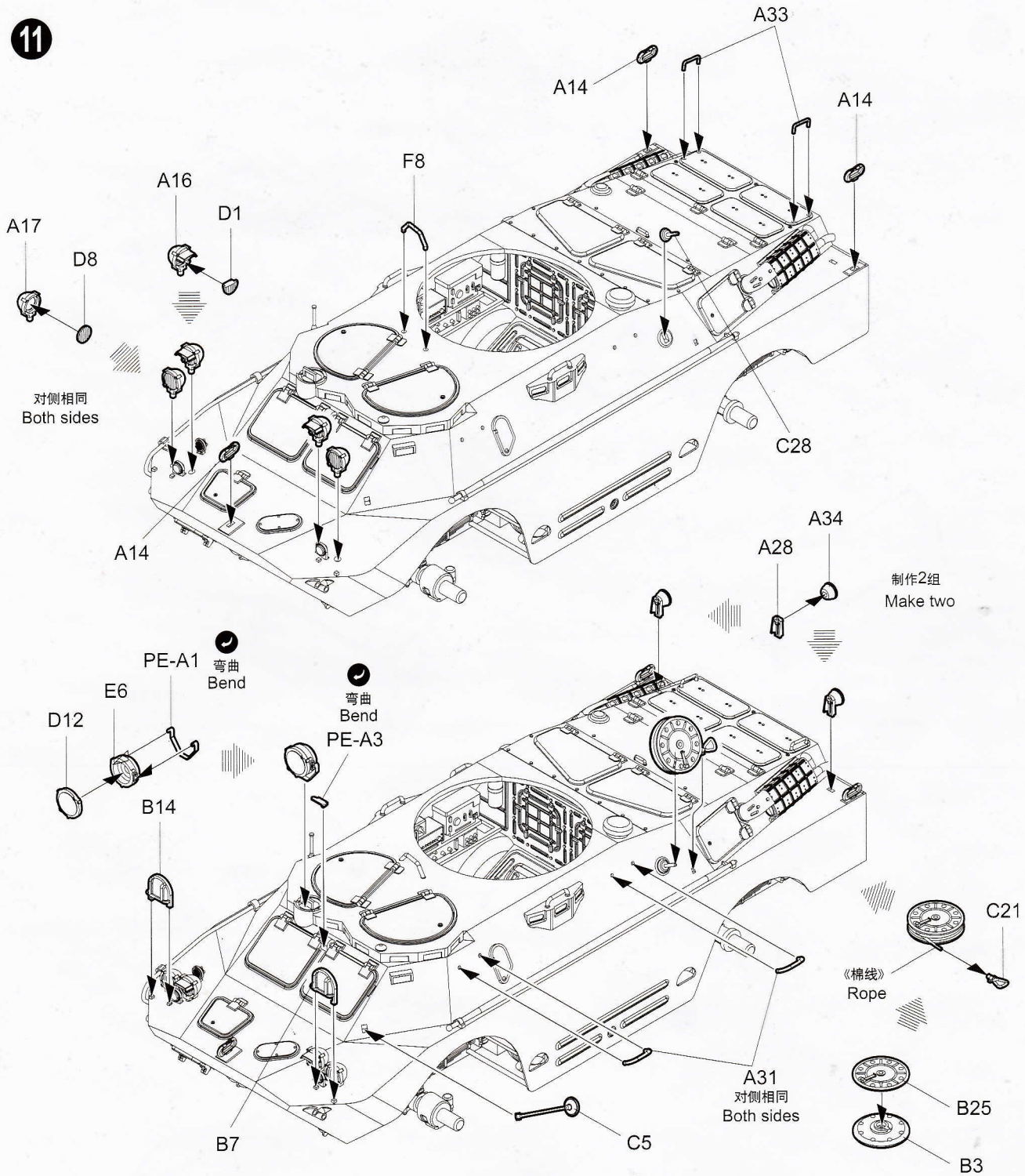


10

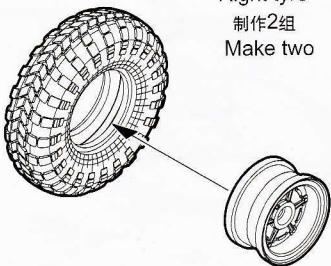




11



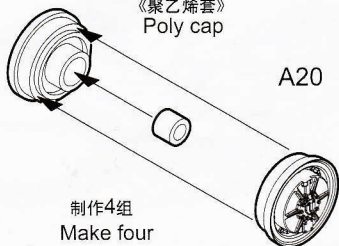
《大轮胎》  
Big tyre



《右侧轮胎》  
Right tyre  
制作2组  
Make two

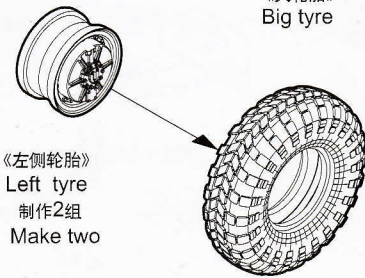
A19

不涂胶水  
No cement  
《聚乙烯套》  
Poly cap

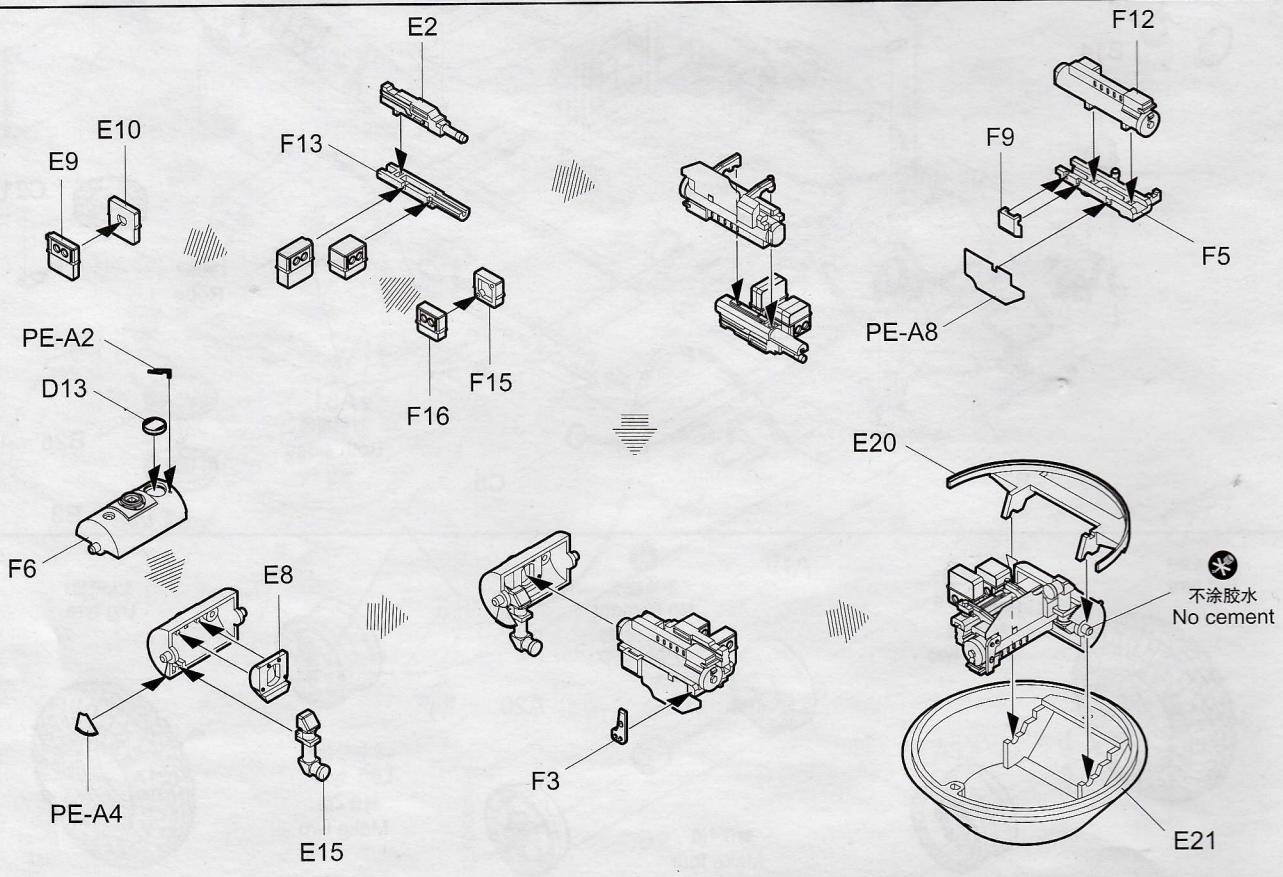
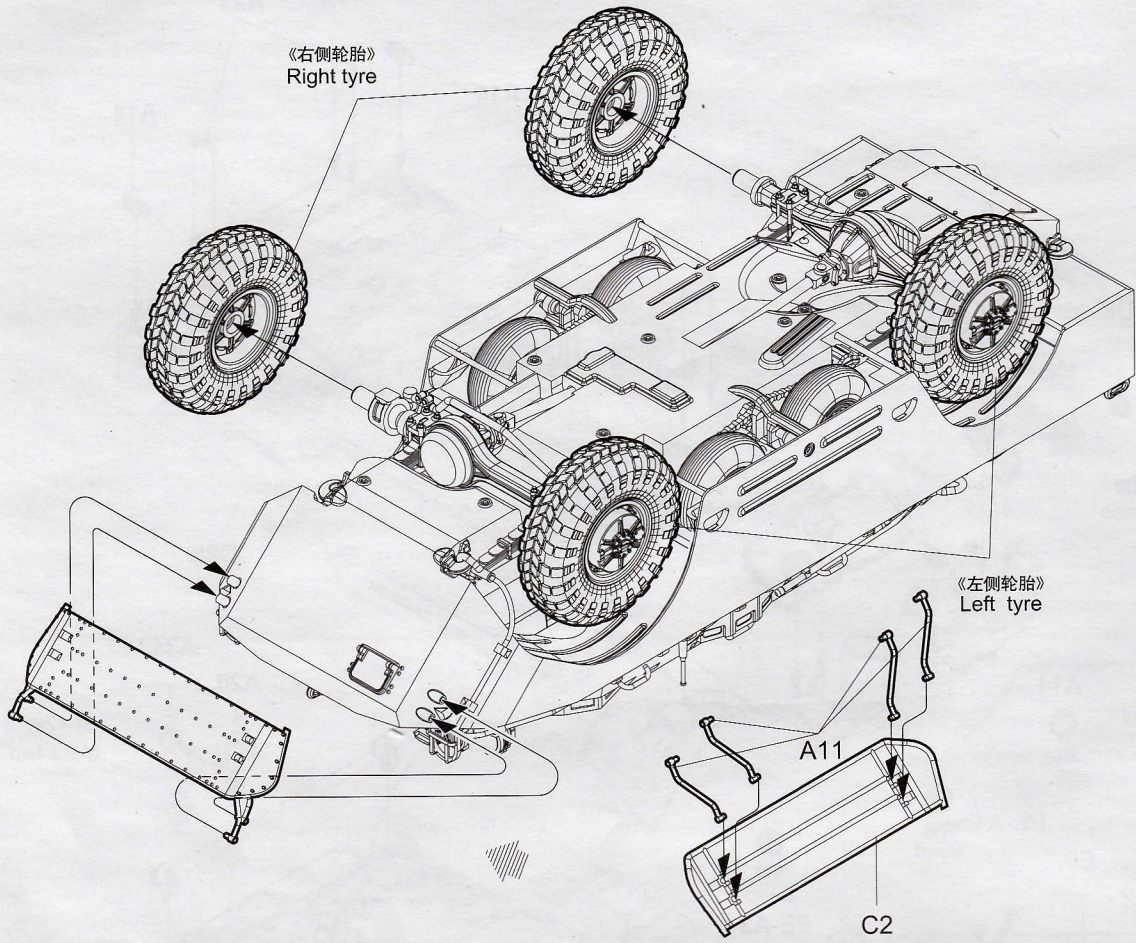


A20

《大轮胎》  
Big tyre

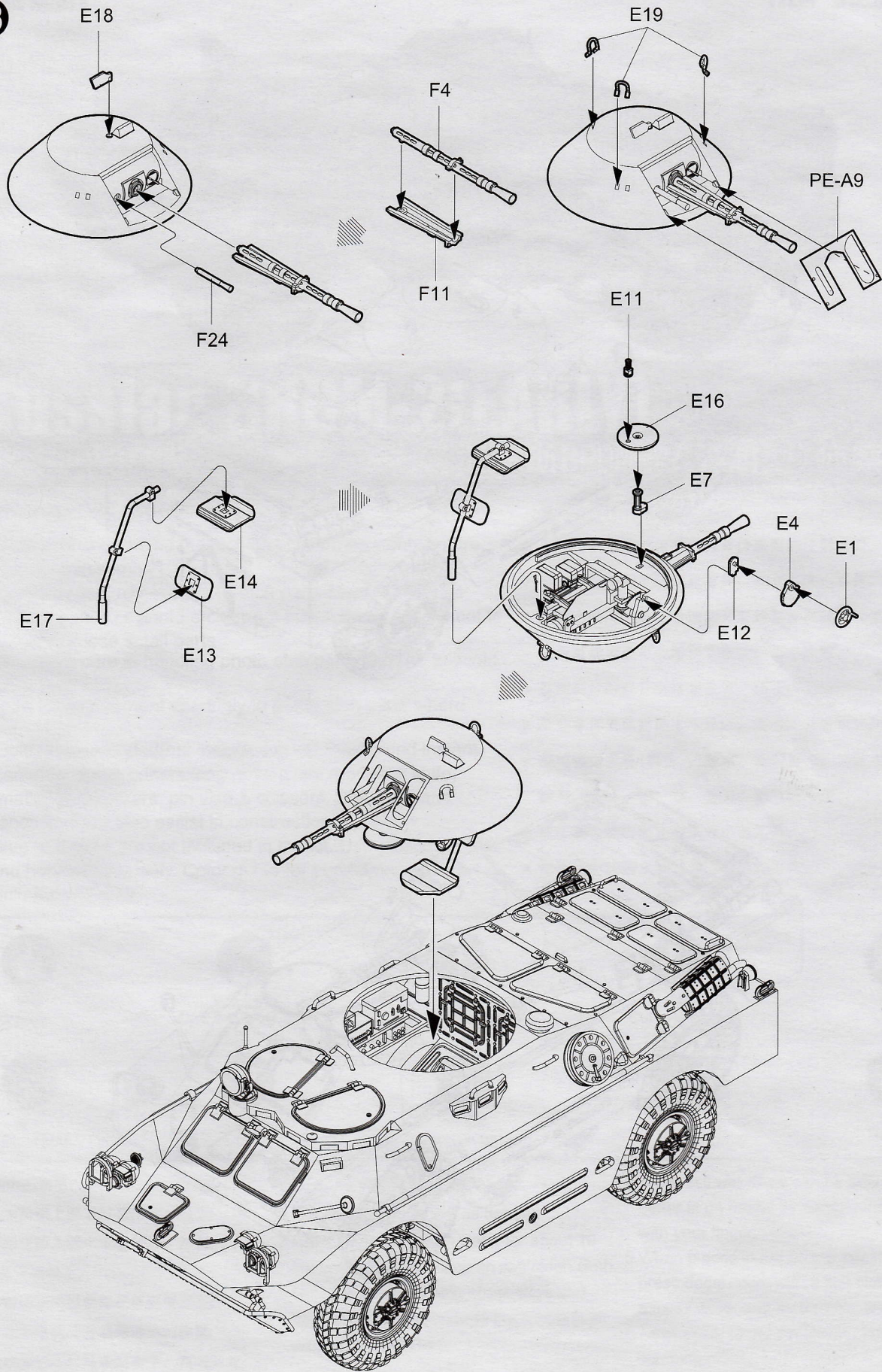






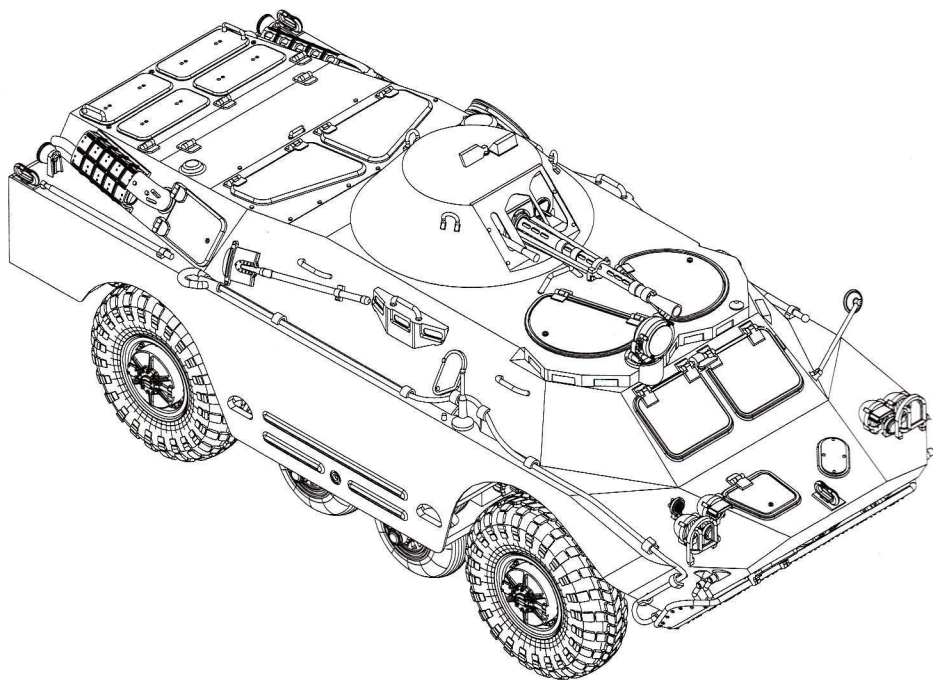
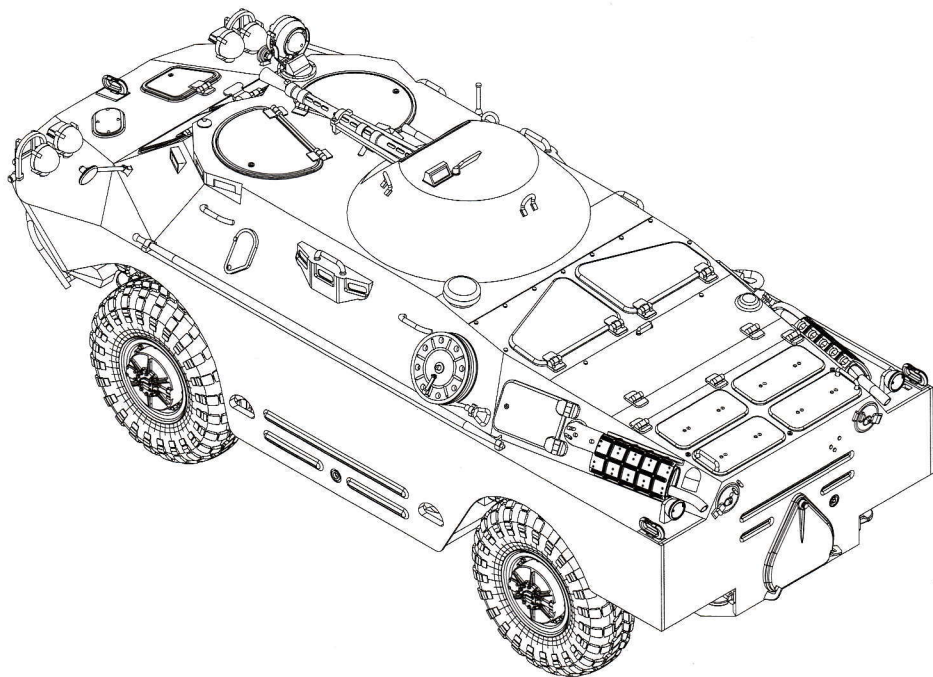


13





《完成》  
Finish



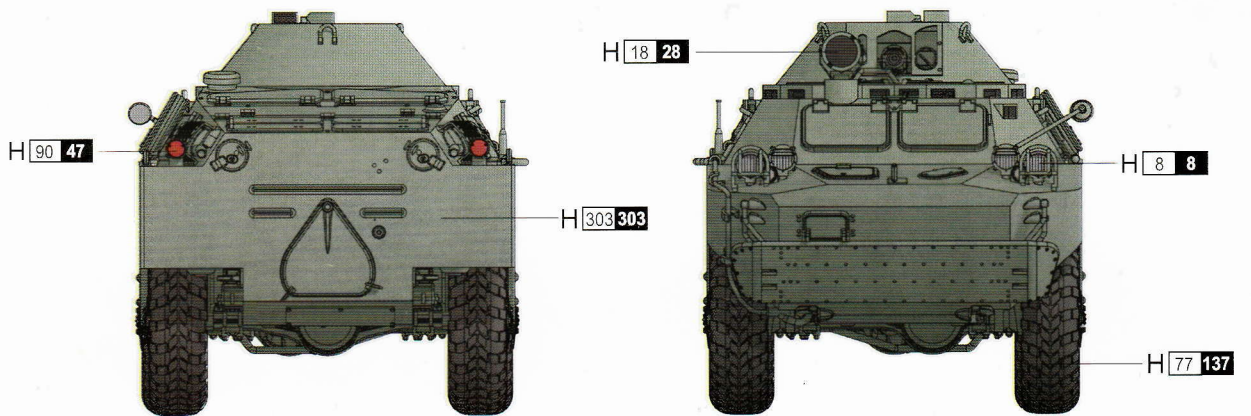
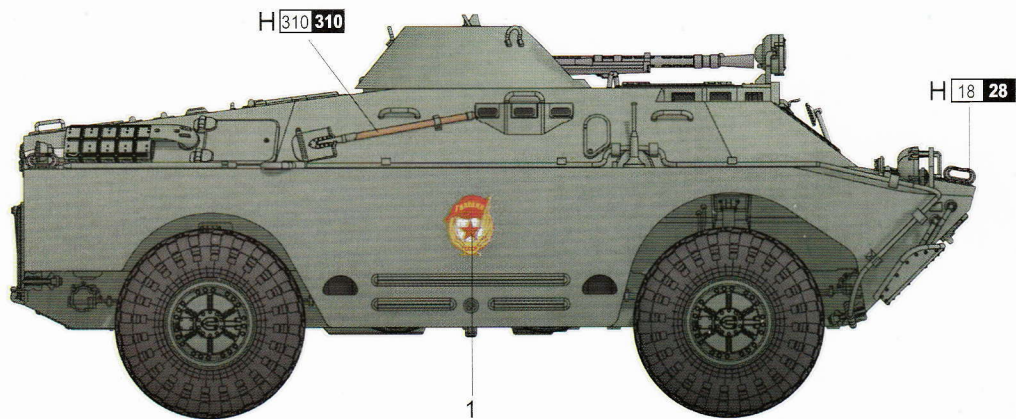
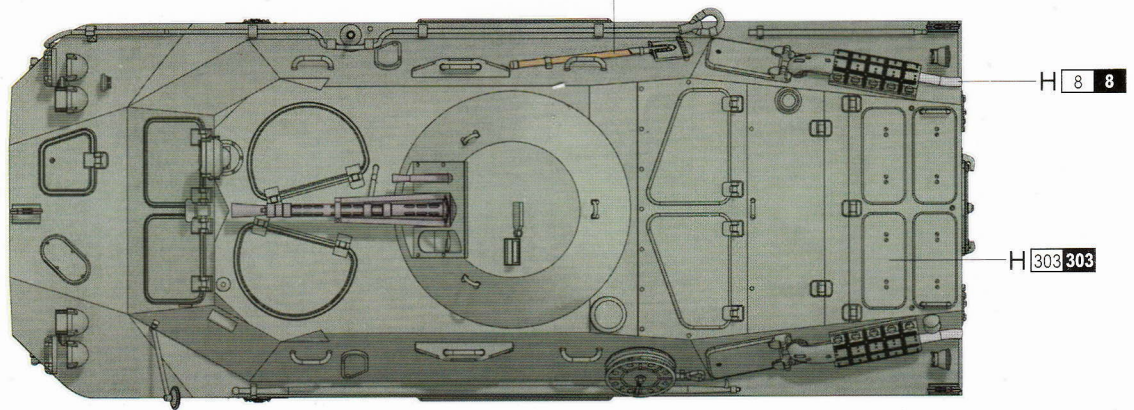
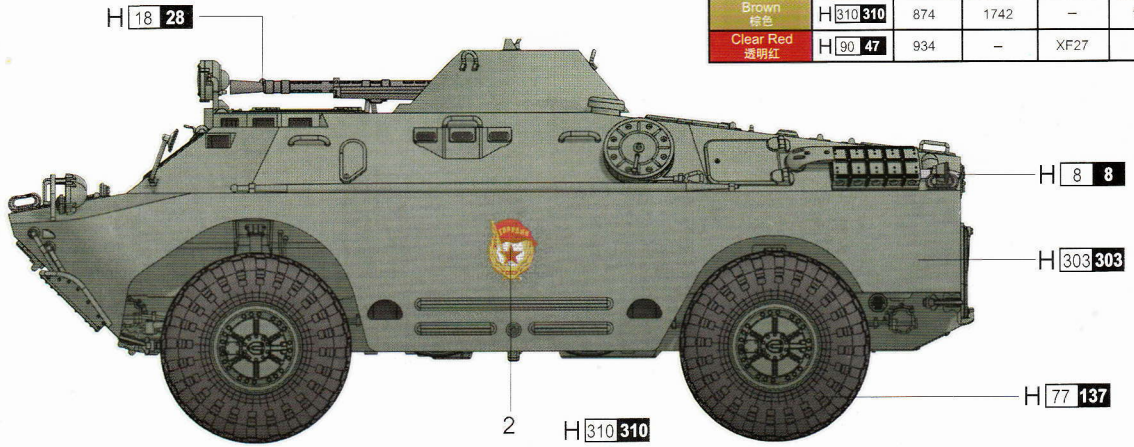


# 涂装同标贴指示

## Painting & Marking guide

### PAINT REFERENCE COLOUR

Color	Mr.Hobby	Vallejo	Model Master	Tamiya	Humbrol
Metal Black 黑铁色	H 18 28	864	1402	—	—
Light Green 浅绿色	H 303 303	—	1713	XF20	117
Tire Black 胎黑色	H 77 137	—	—	—	—
Silver 银色	H 8 8	997	1546	X11	11
Brown 棕色	H 310 310	874	1742	—	118
Clear Red 透明红	H 90 47	934	—	XF27	—



H AQUEOUS HOBBY COLOR    ■ Mr. COLOR

05511 1/35 Russian BRDM-2(EARLY)