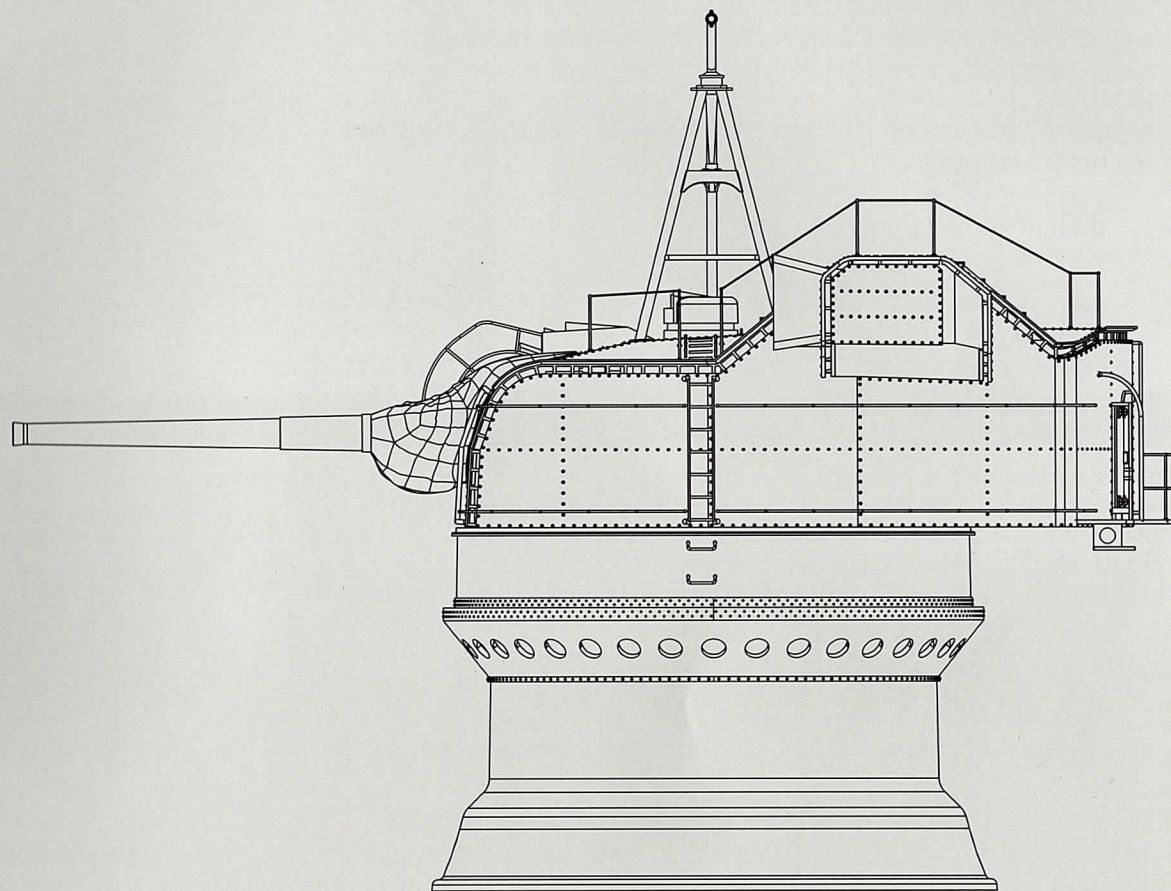


海軍戰艦 大和

3年式60口径15.5cm副炮 2in1

BATTLESHIP YAMATO 3RD YEAR TYPE 60-CALIBER 15.5CM GUN TURRET



The Battleship Yamato secondary battery comprised twelve 15.5cm guns mounted in four triple turrets (one forward, two amidships and one aft), and twelve 12.7cm guns in six twin mounts (three on each side amidships). These turrets were removed from the Mogami-class cruisers when those vessels were converted to a main armament of 20.3cm guns. In addition, Yamato carried twenty-four 2.5cm anti-aircraft guns, primarily mounted amidships. When refitted in 1944-45 for naval engagements in the South Pacific, the secondary battery configuration was switched to six 15.5cm guns and twenty-four 12.7cm guns, and the number of 2.5cm anti-aircraft guns was increased to 162.

The 15.5 cm/60 3rd Year Type was a dual-purpose naval gun used by the Imperial Japanese Navy on the Yamato-class battleships as secondary armament in four triple turrets, the Mogami-class cruisers in five triple turrets and on the light cruiser Ōyodo in two triple turrets.

Construction was of the monobloc type and used a Welin breech block locking mechanism which could be operated either hydraulically or by hand. Their slow rate of fire, limited elevation and slow traverse made them insufficient for the anti-aircraft role, but they were deadly anti-ship weapons.

READ BEFORE ASSEMBLY

CAUTION

- Read carefully and fully understand the instructions before commencing assembly. A supervising adult should also read the instructions if a child assembles the model.
- When assembling this kit, tools including knives used. Extra care should be taken to avoid personal injury.
- Keep out of reach of small children. Children must not be allowed to suck any part, or pull vinyl bag over their heads.



Be Careful



Do Not Cement



Drill



Optional



Instant Glue
for Metal

PAINTS REQUIRED

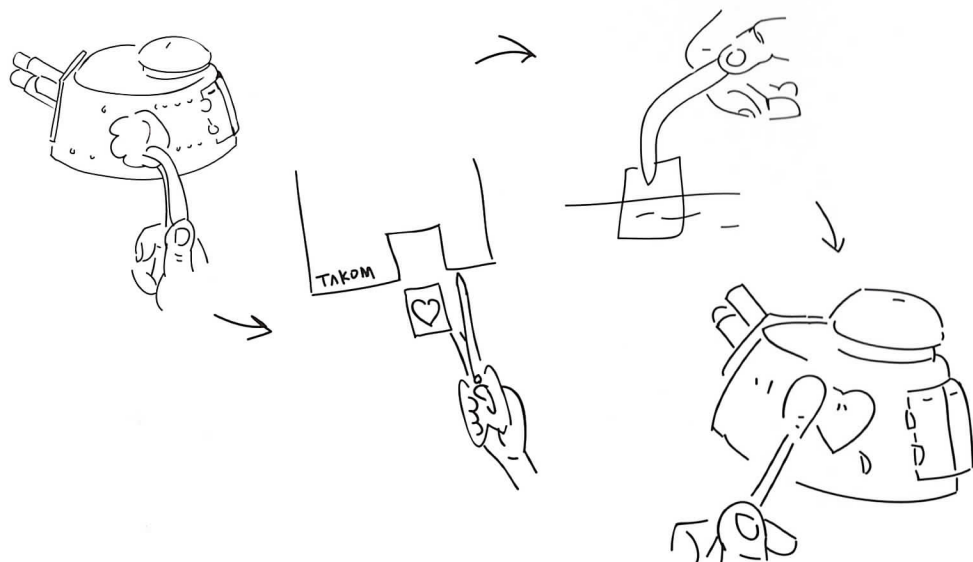
Color info and profiles by Mig Jimenez

A.MIG-0122 Bone

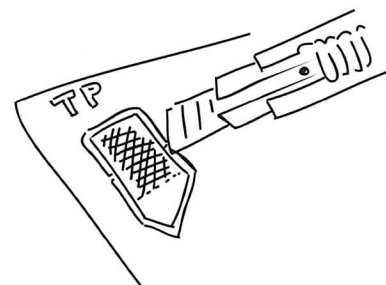
A.MIG-0235 Dark Grey
AMT-12

APPLYING DECALS

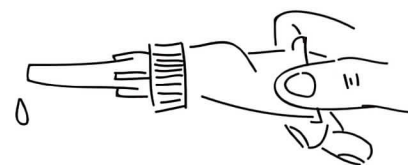
1. Clean the model surface with a wet cloth.
2. Cut out each decal design from sheet, and dip it in tepid water for 15~20 sec.
3. Hold the backing sheet edge and slide decal onto the model.
4. Move decal into position by wetting decal with finger.
5. Press decal gently down with a soft cloth until excess water and air bubbles are gone.



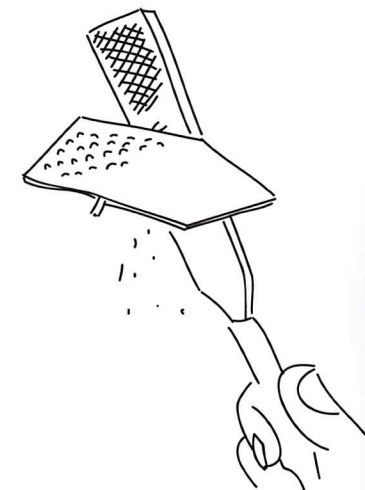
REMOVING PE



Be careful not to hurt when removing PE parts.

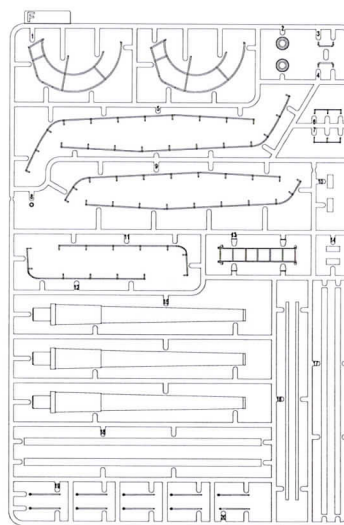
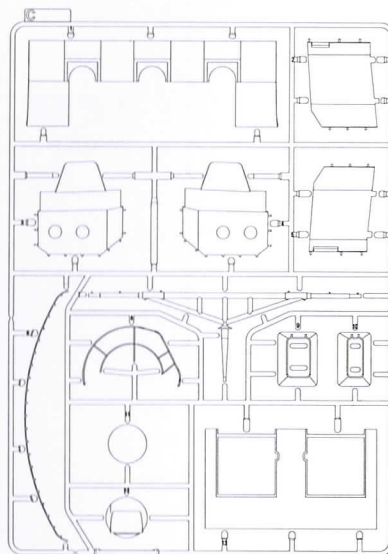
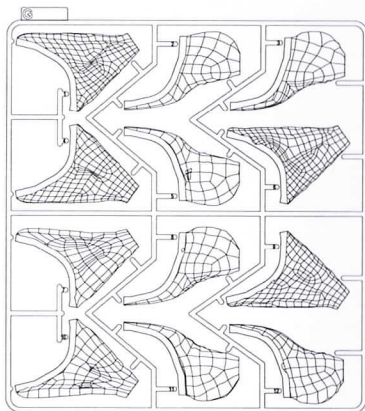
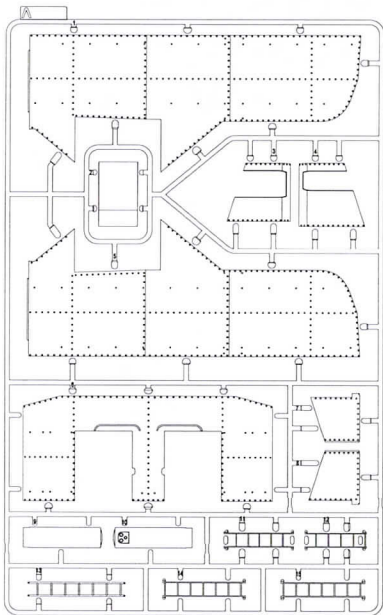


Secure using instant glue (not included).

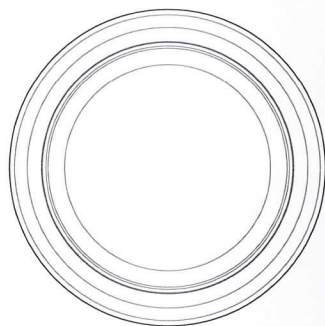
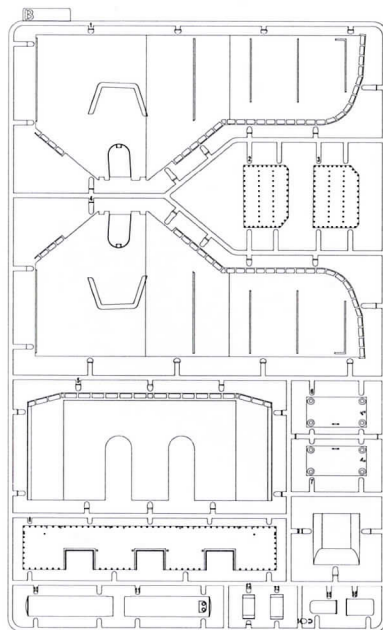
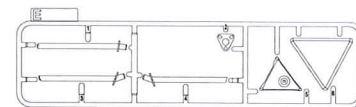
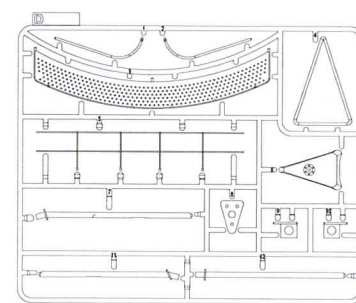


Finish using file.

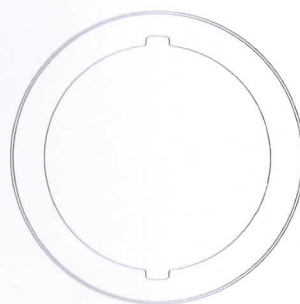
PARTS



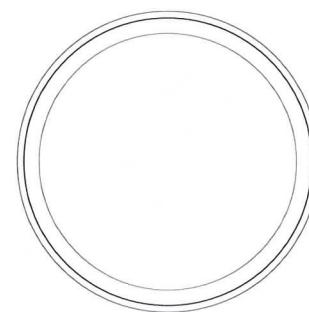
X2



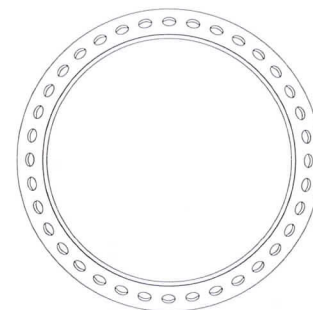
N



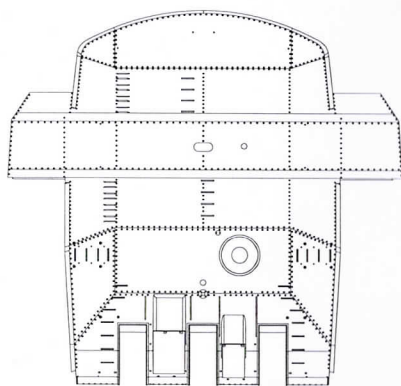
K



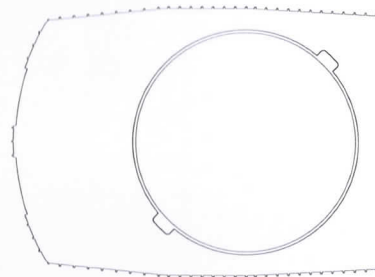
M



J

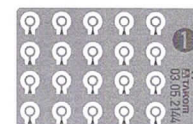


L



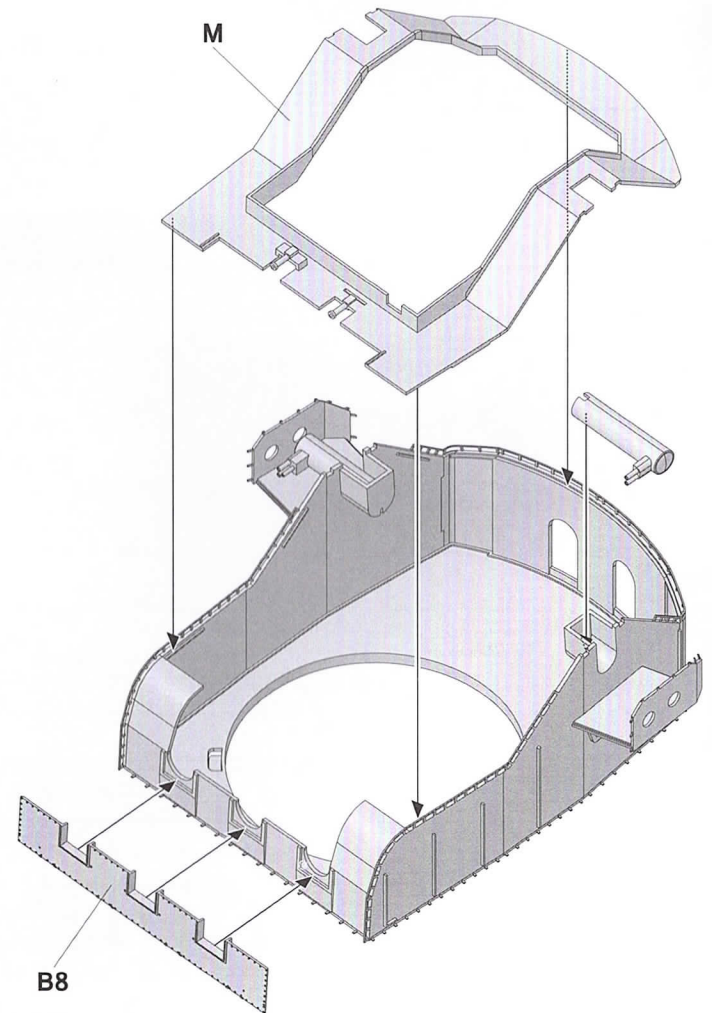
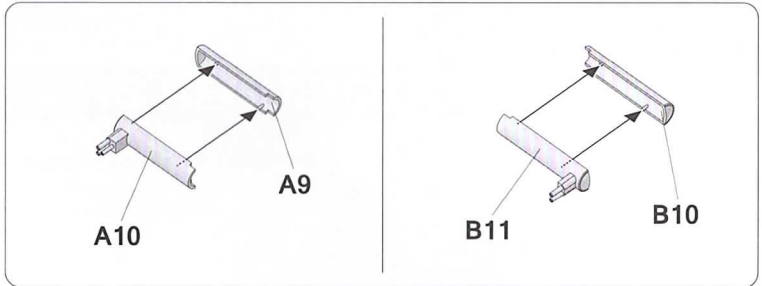
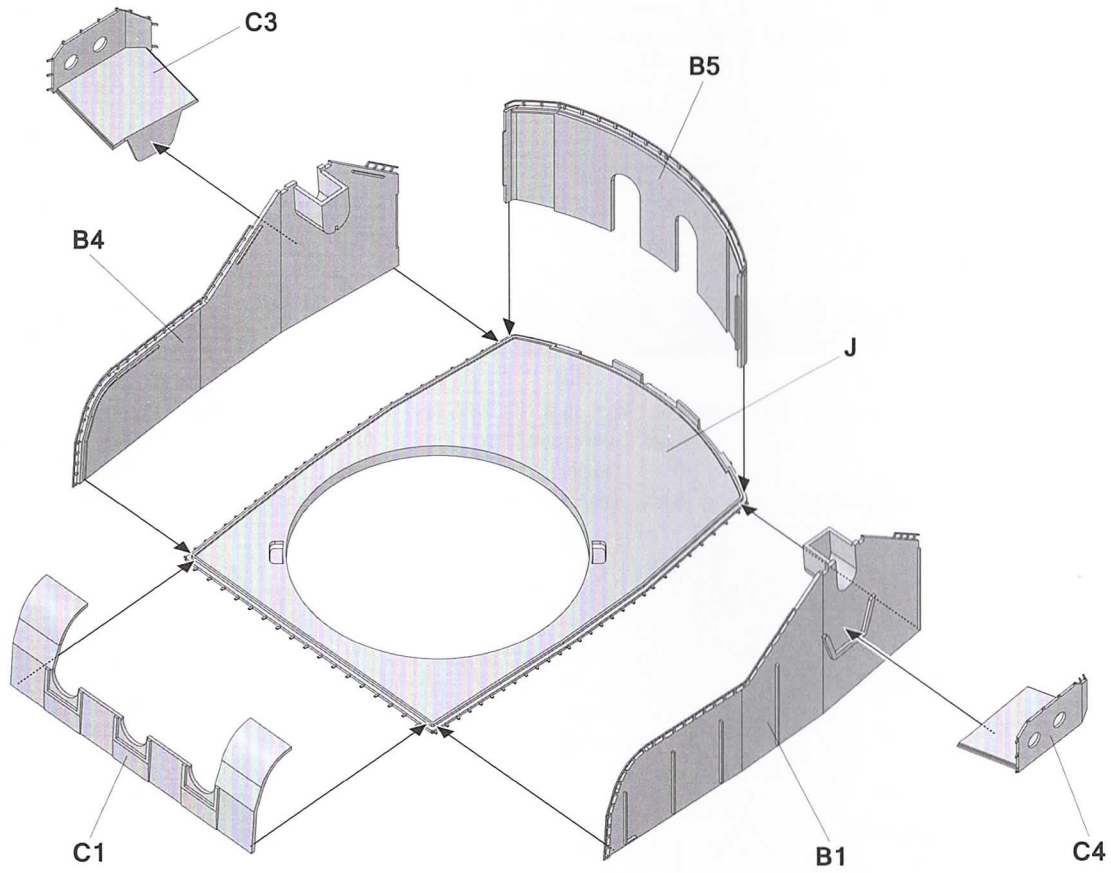
2

Chain



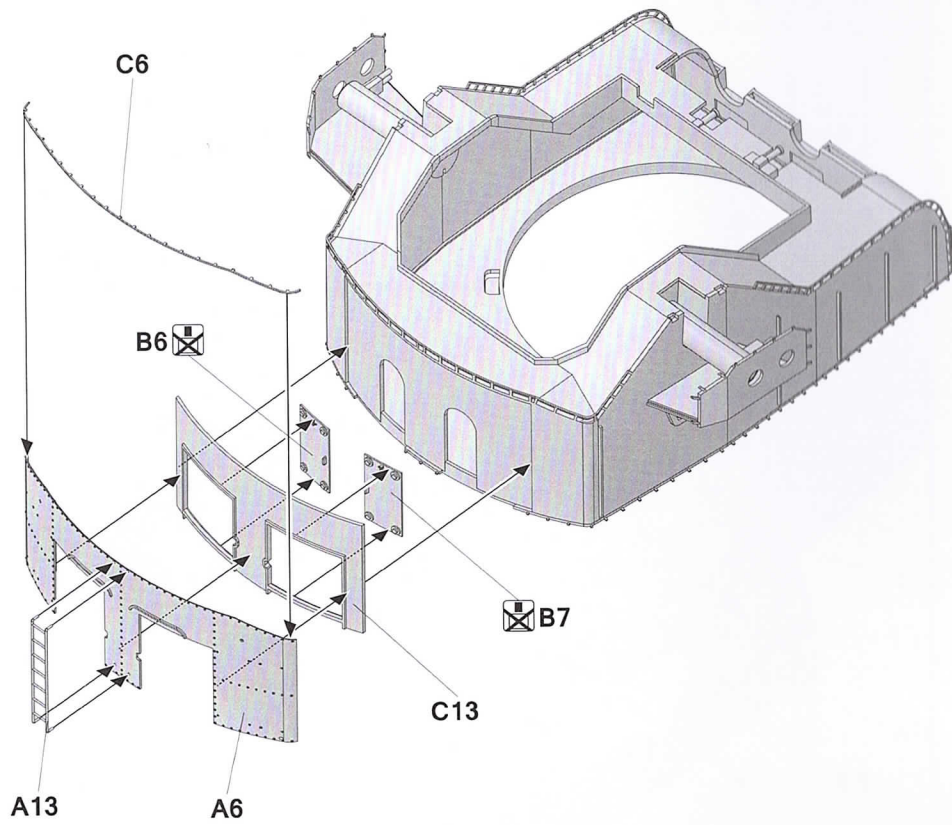
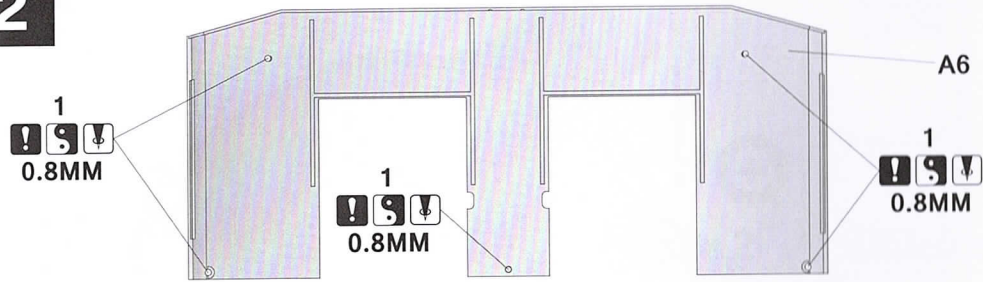
TP

1

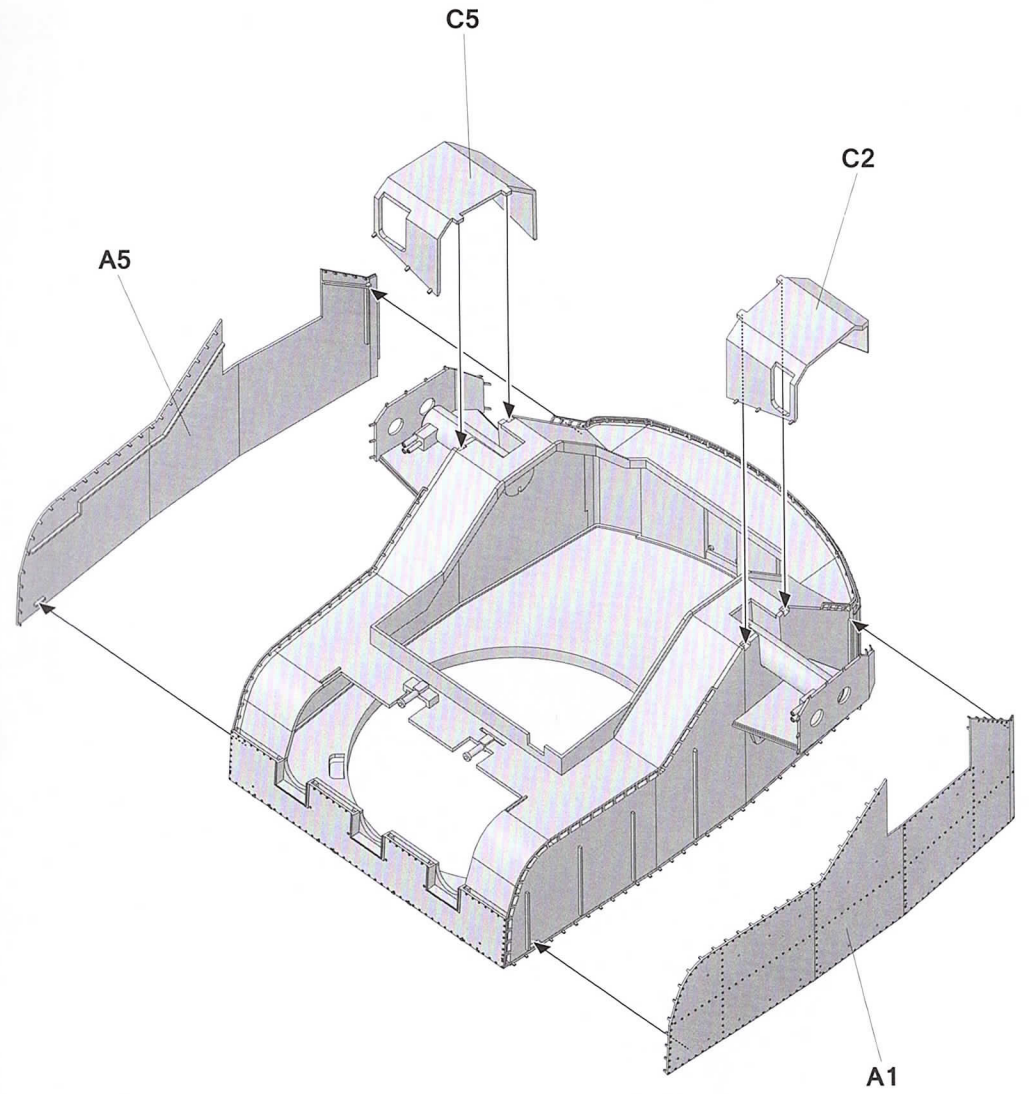


3

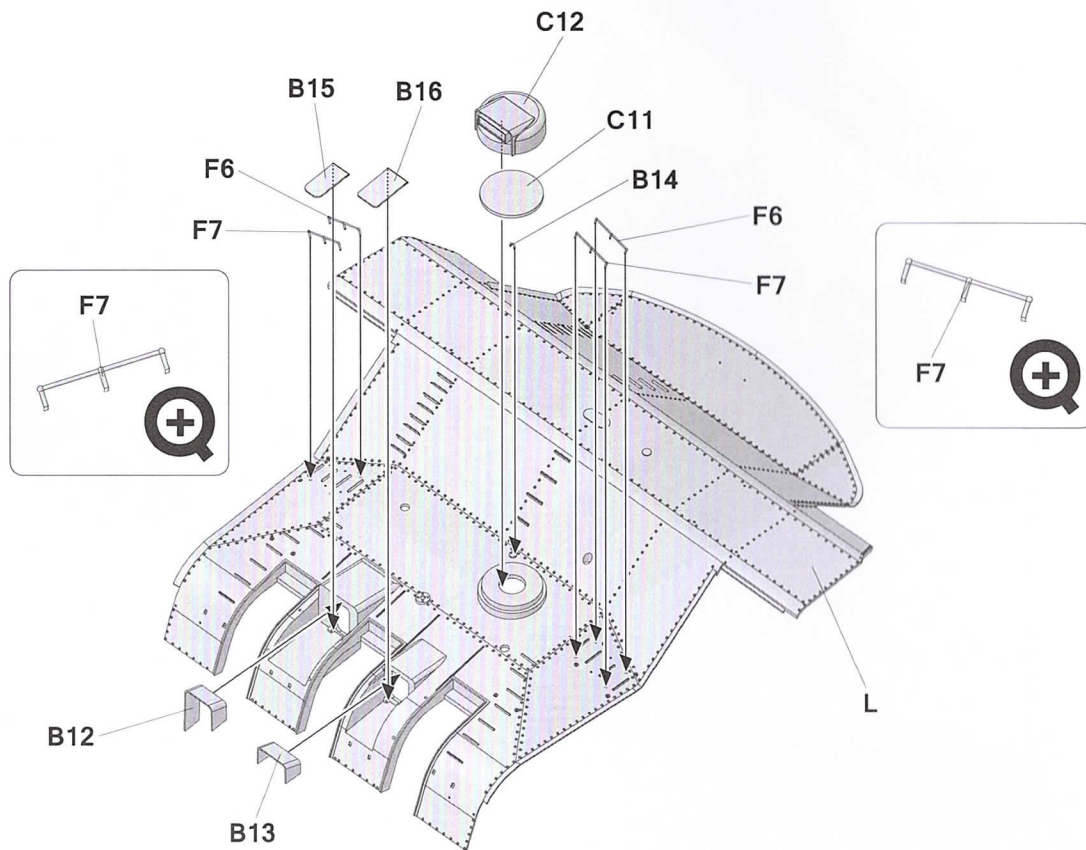
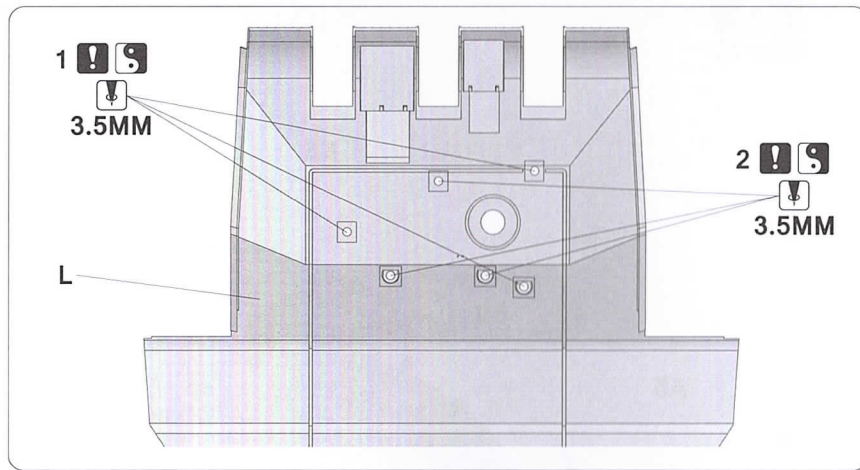
2



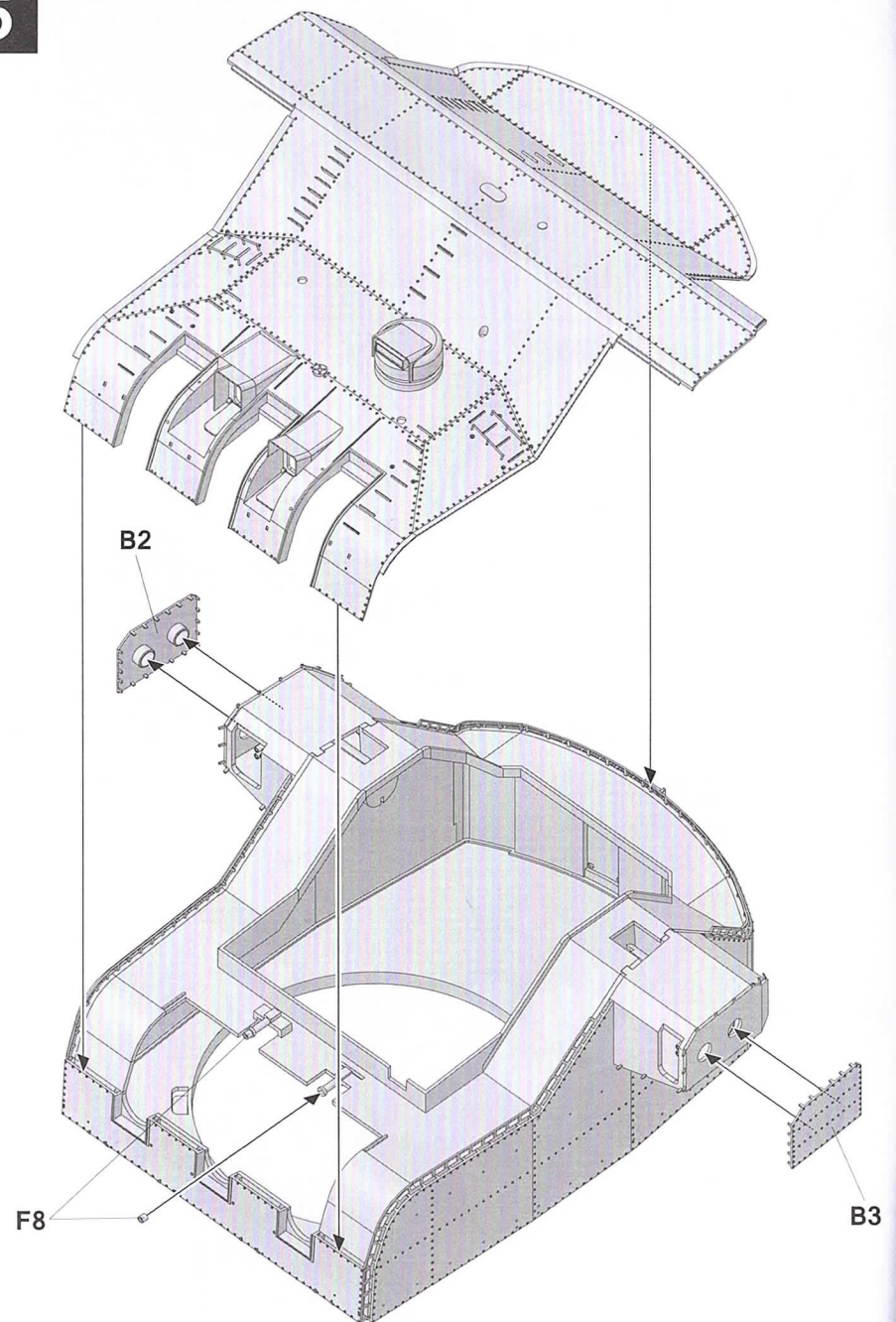
3



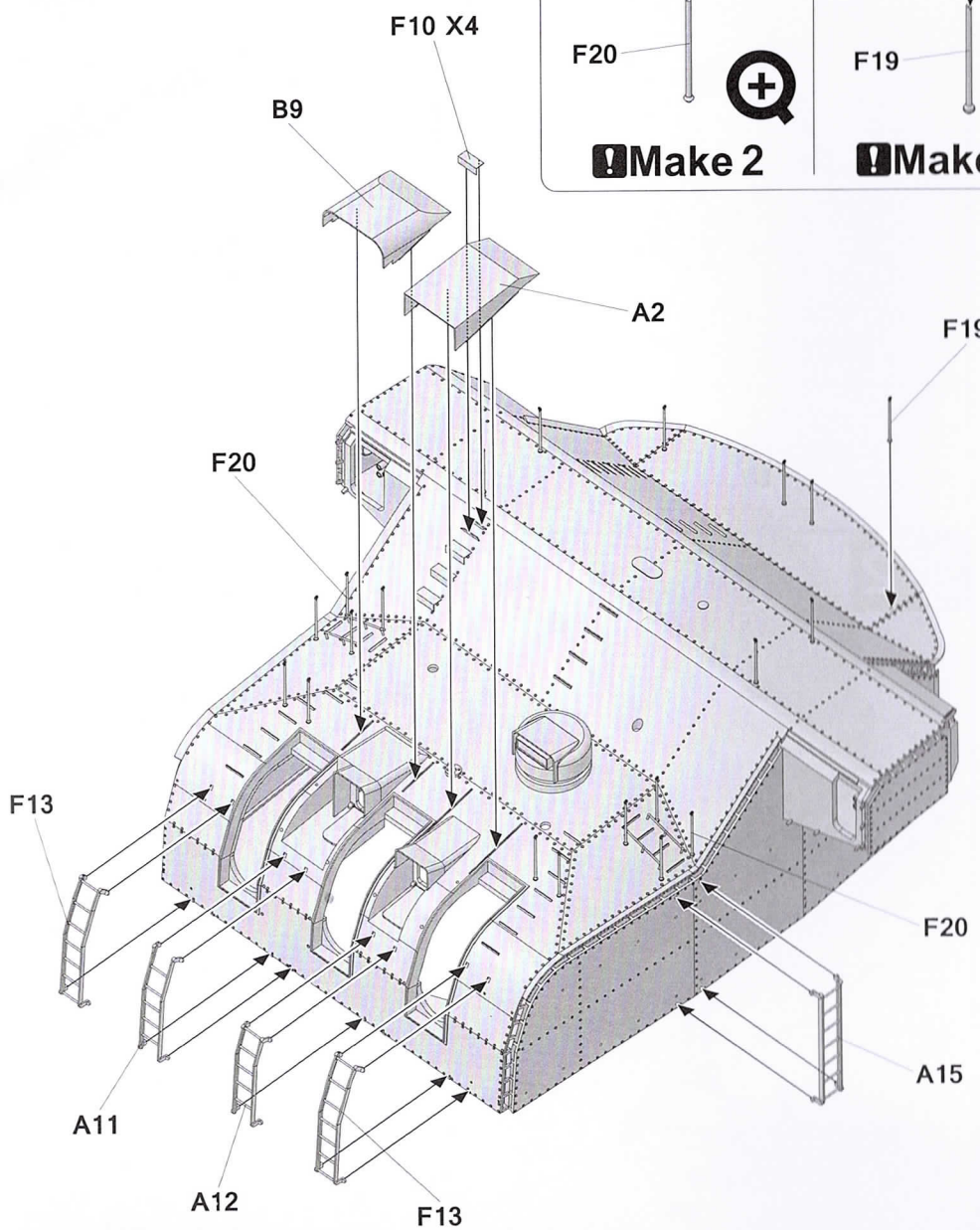
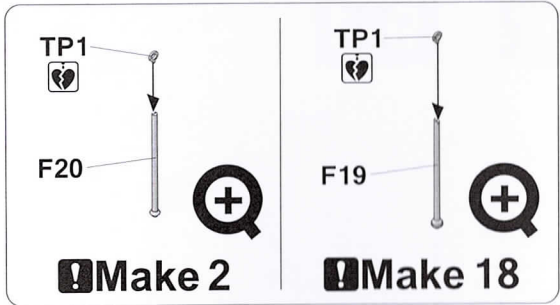
4



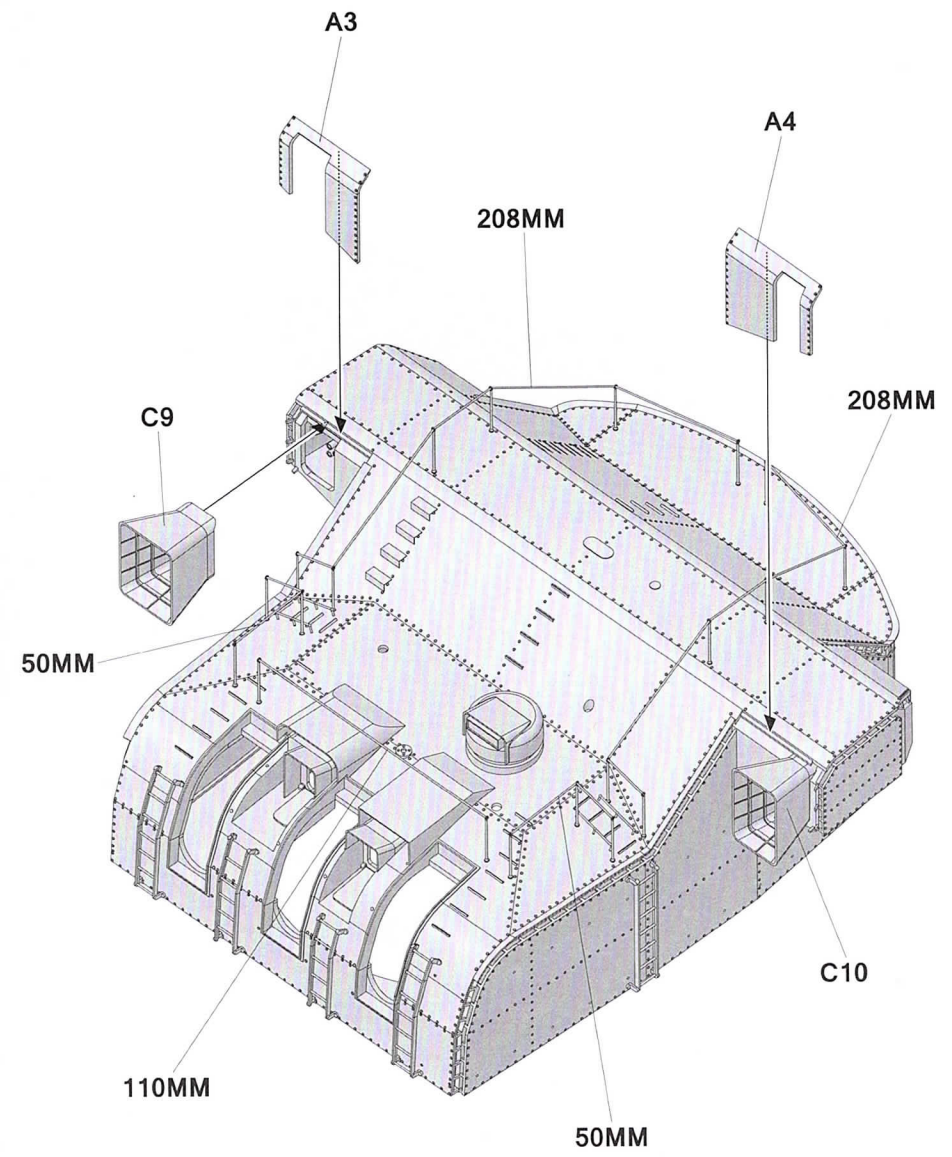
5



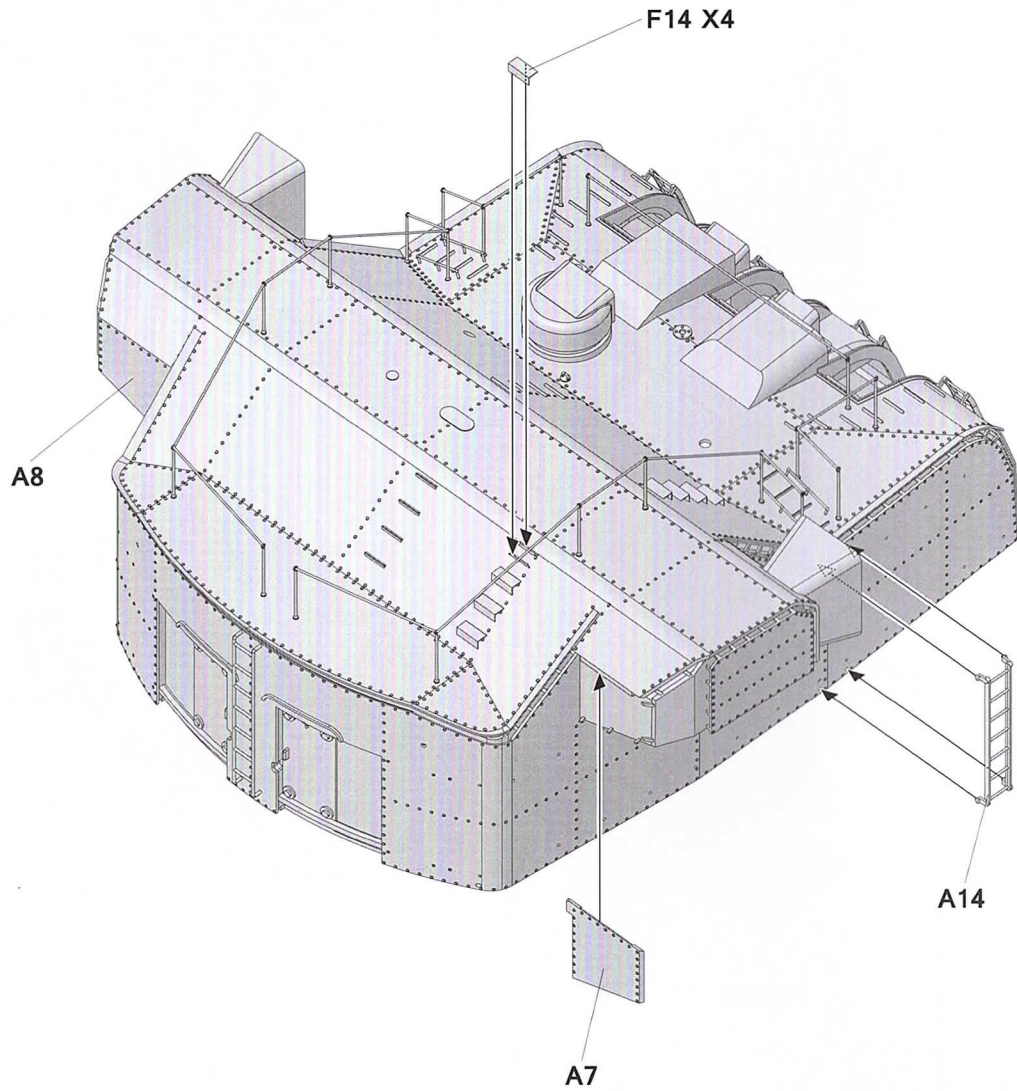
6



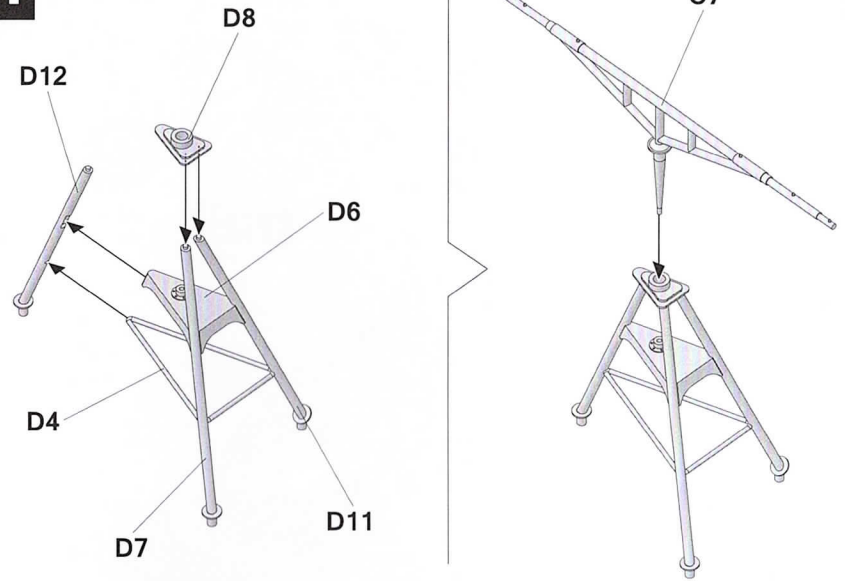
7



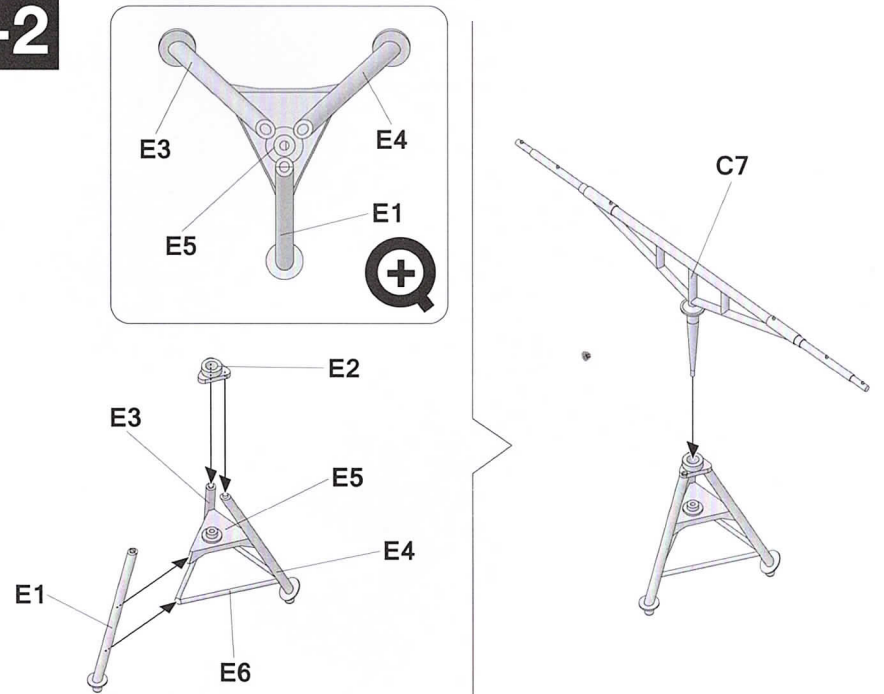
8



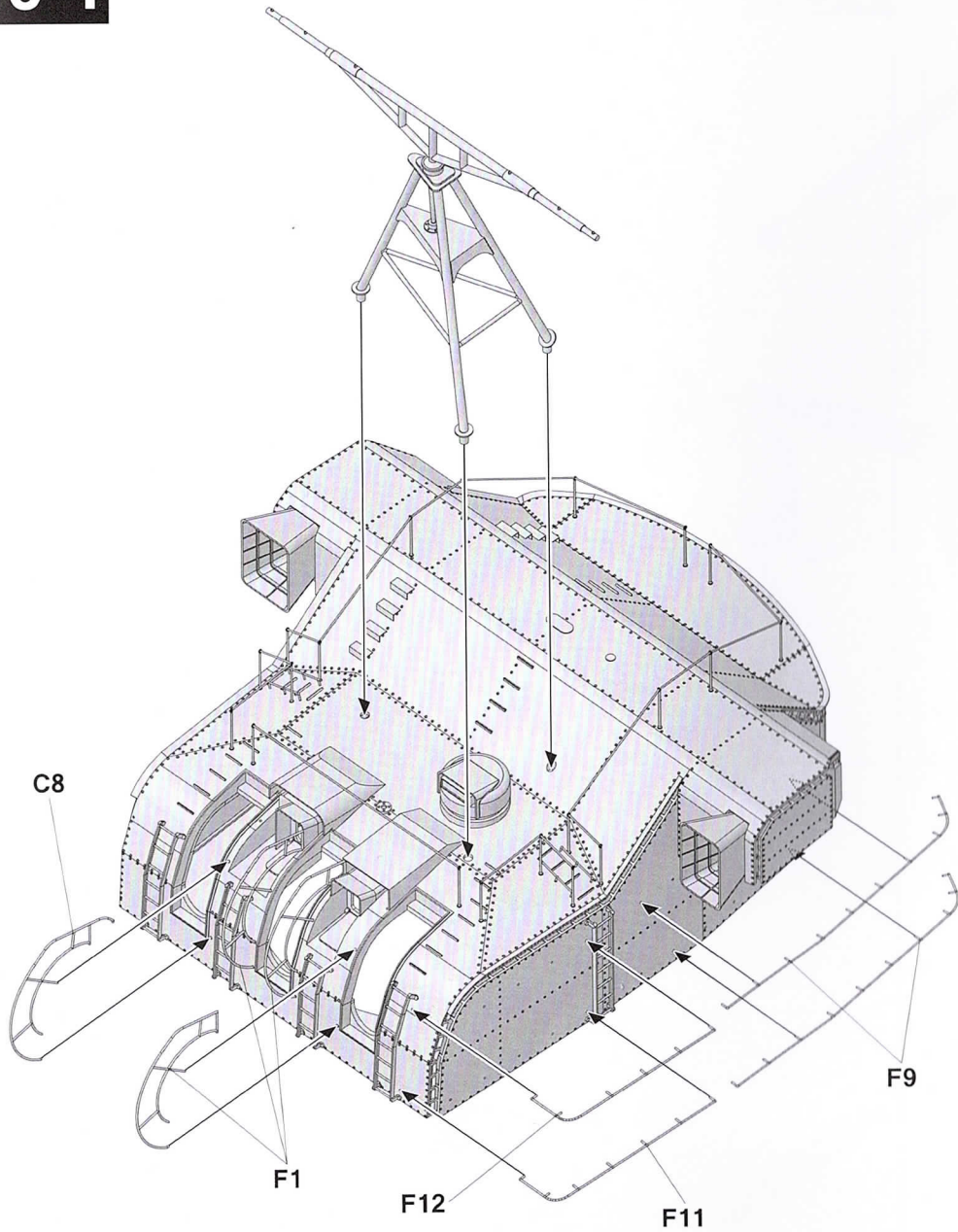
9-1



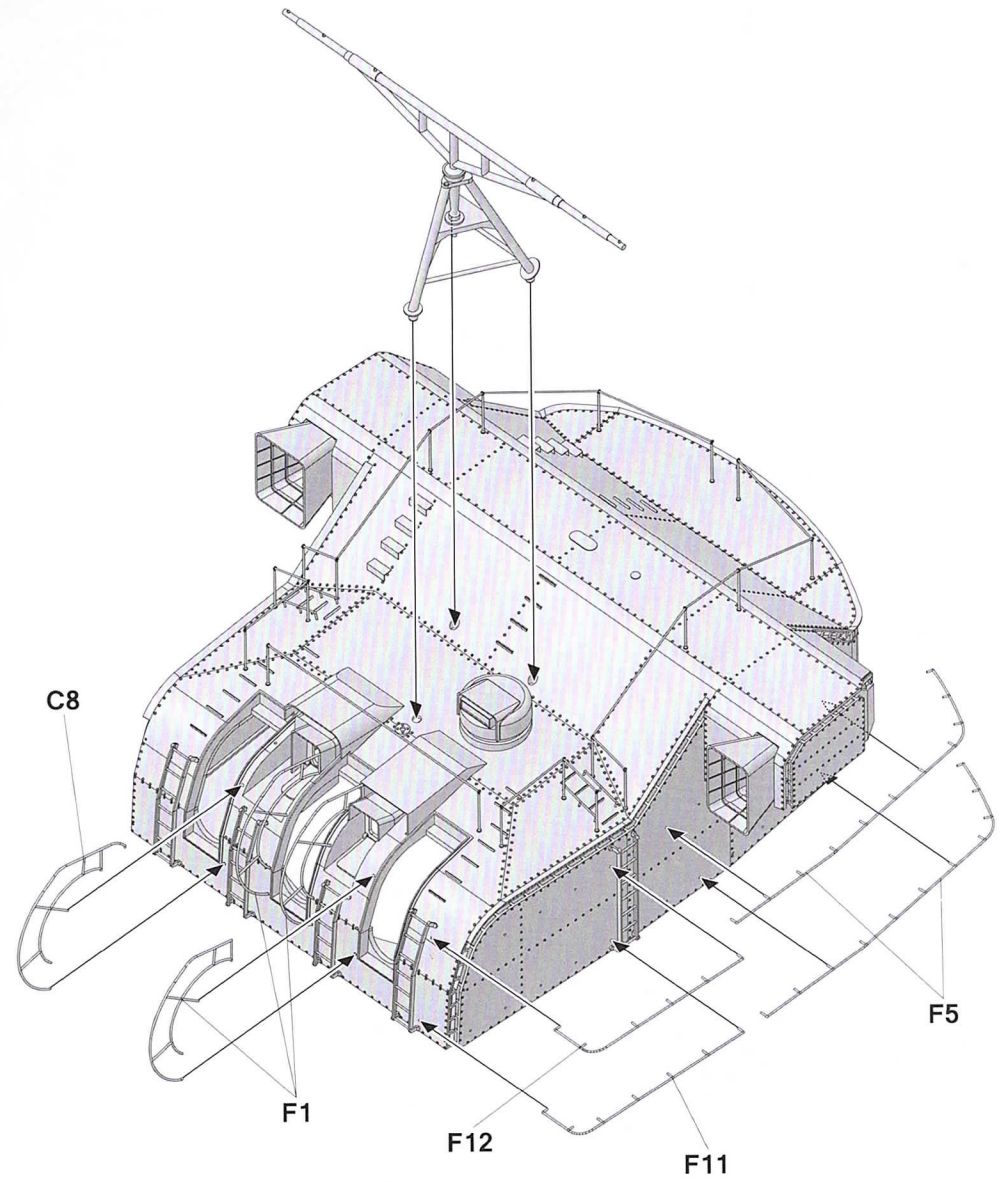
9-2



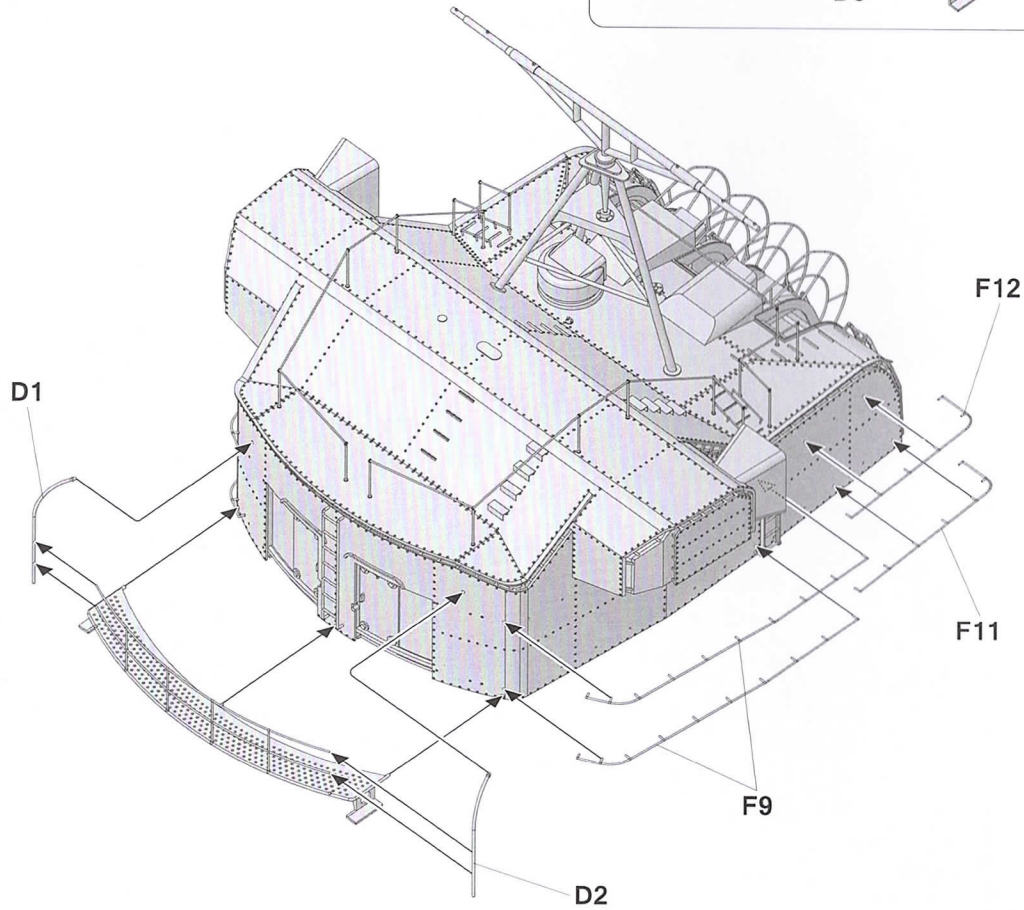
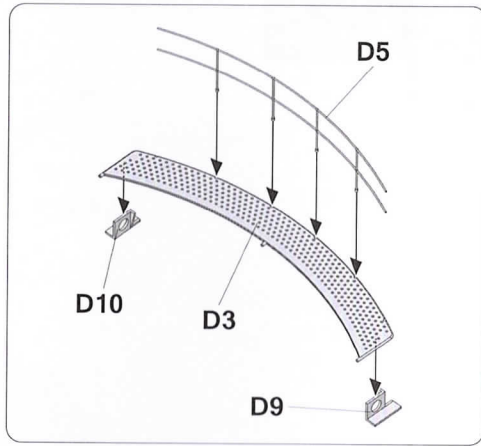
10-1



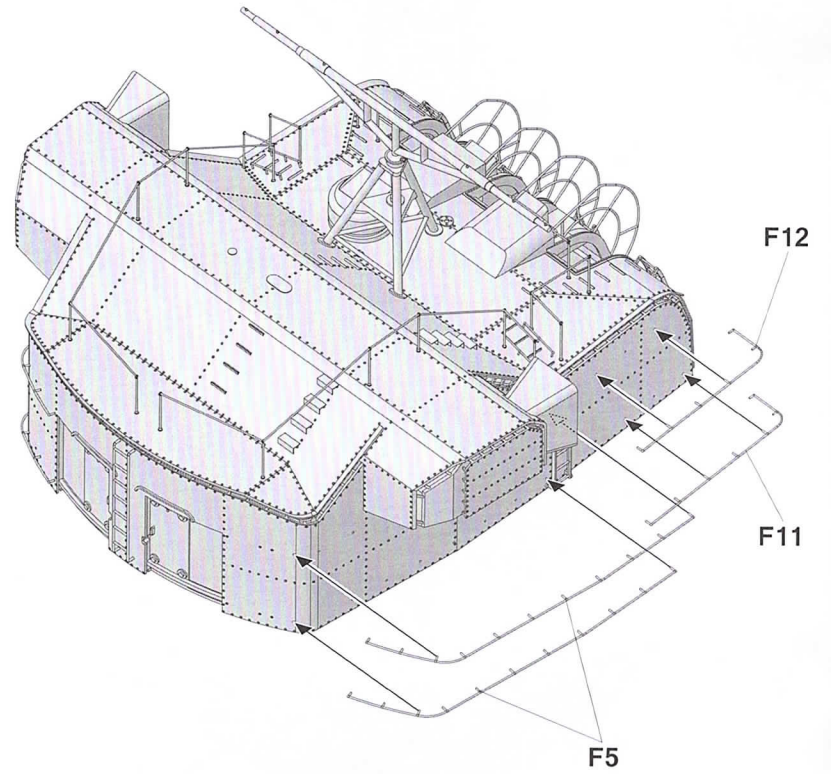
10-2

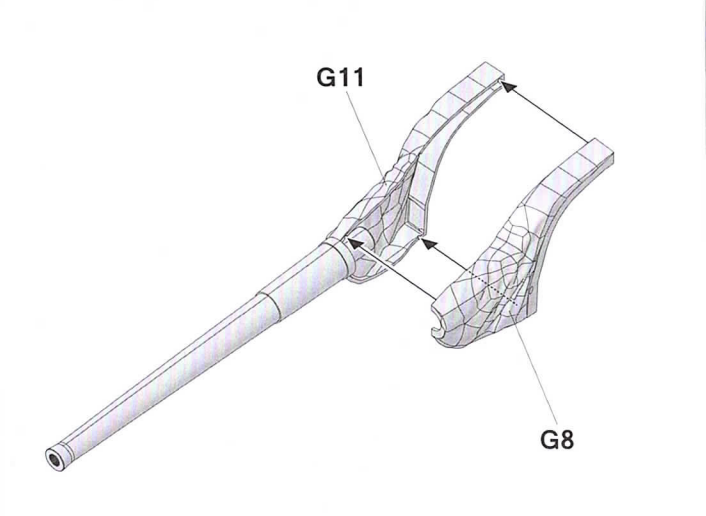
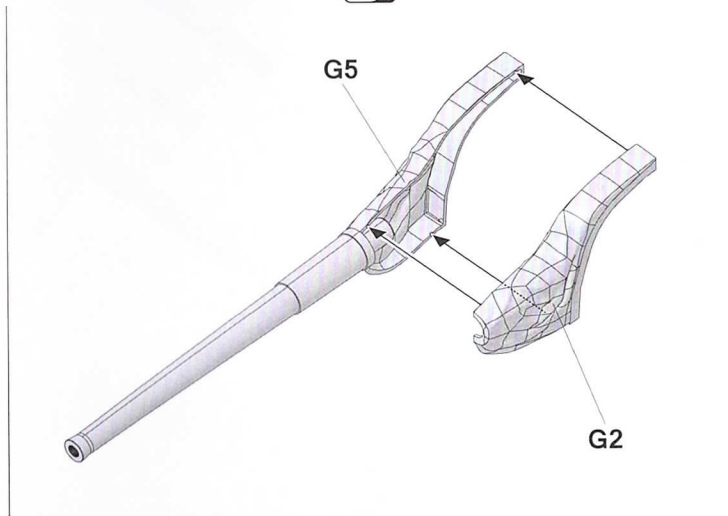
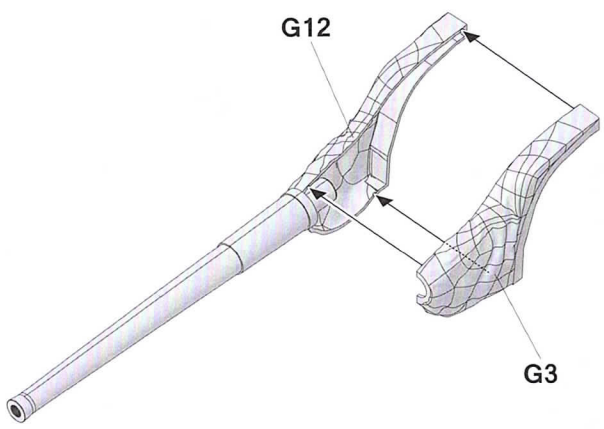
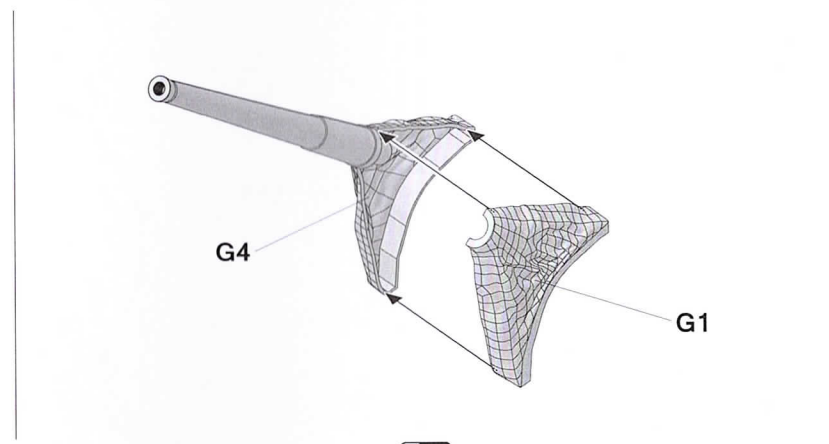
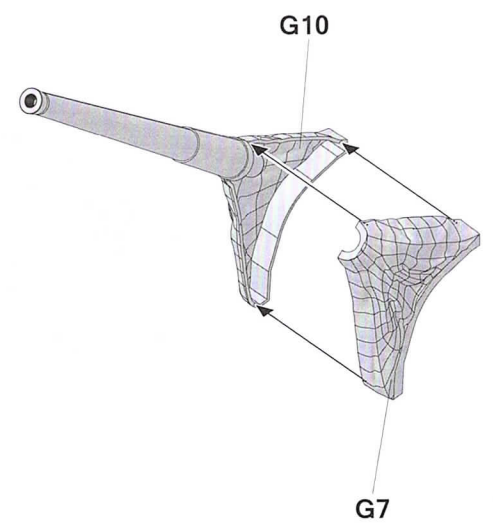
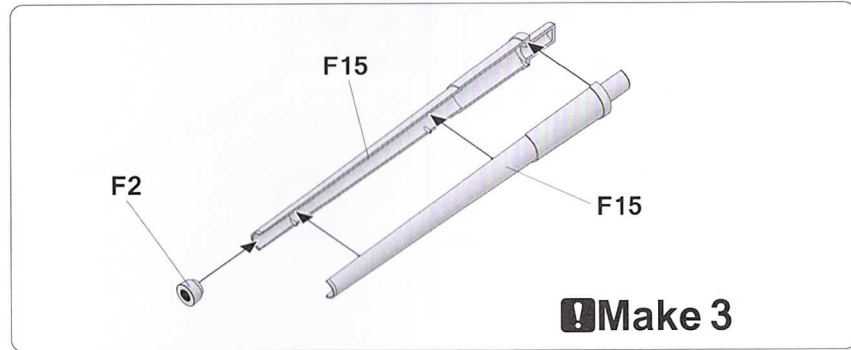
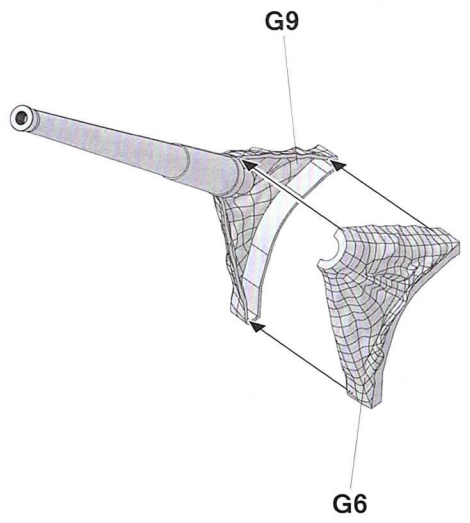


11-1

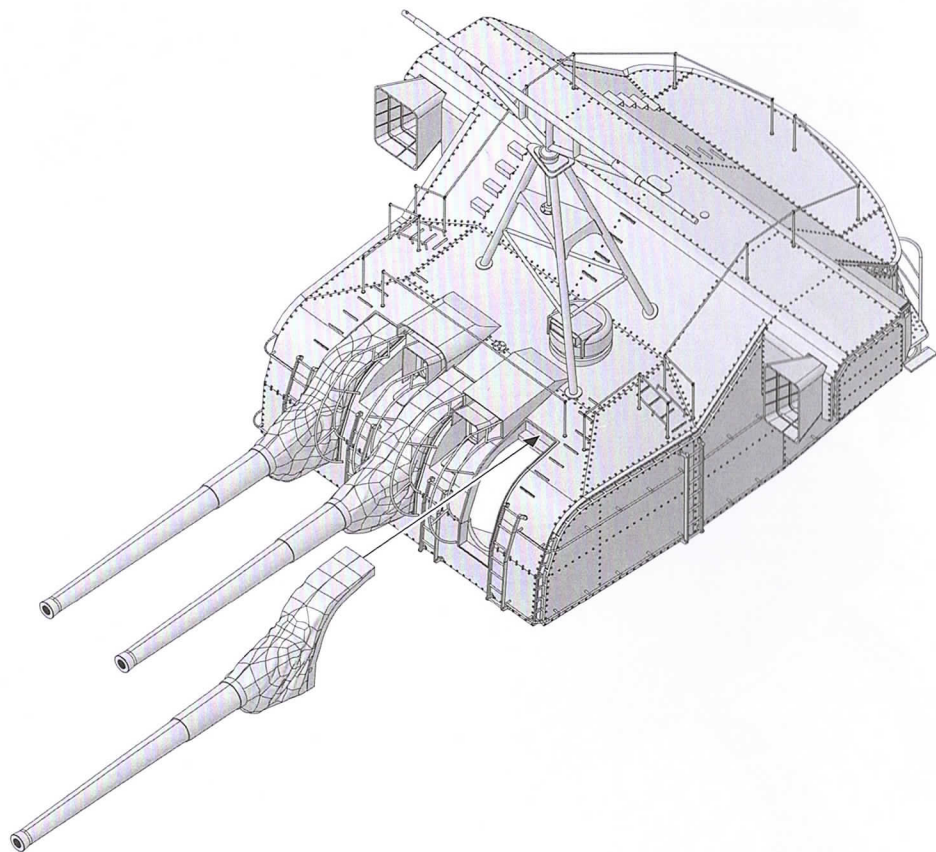


11-2

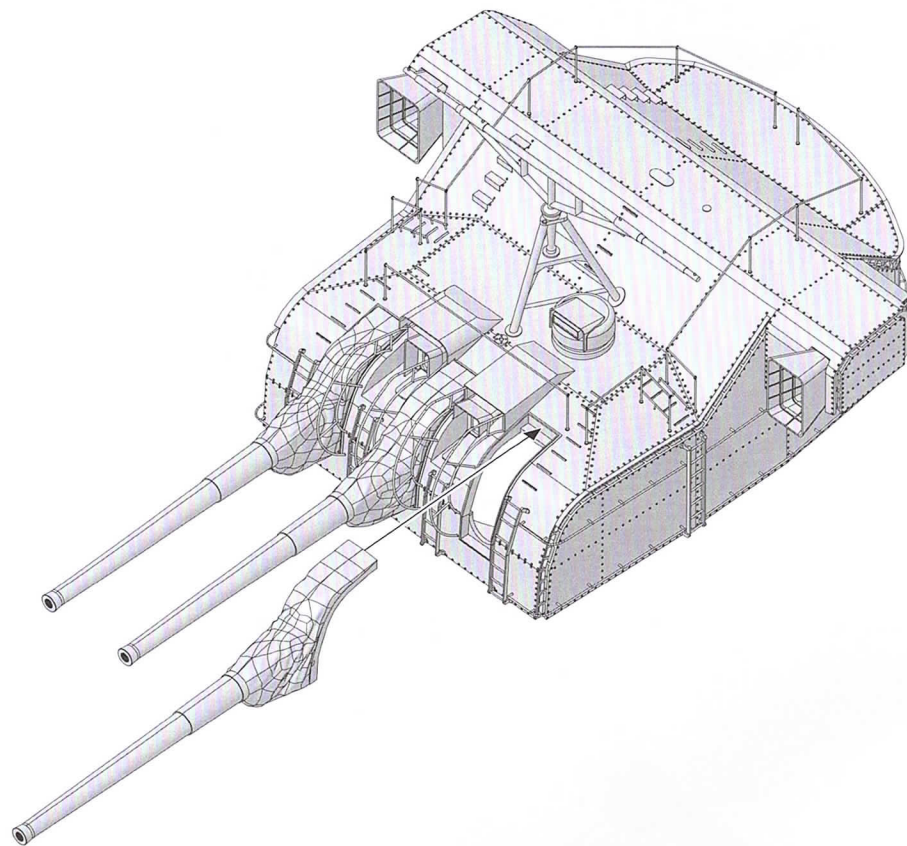




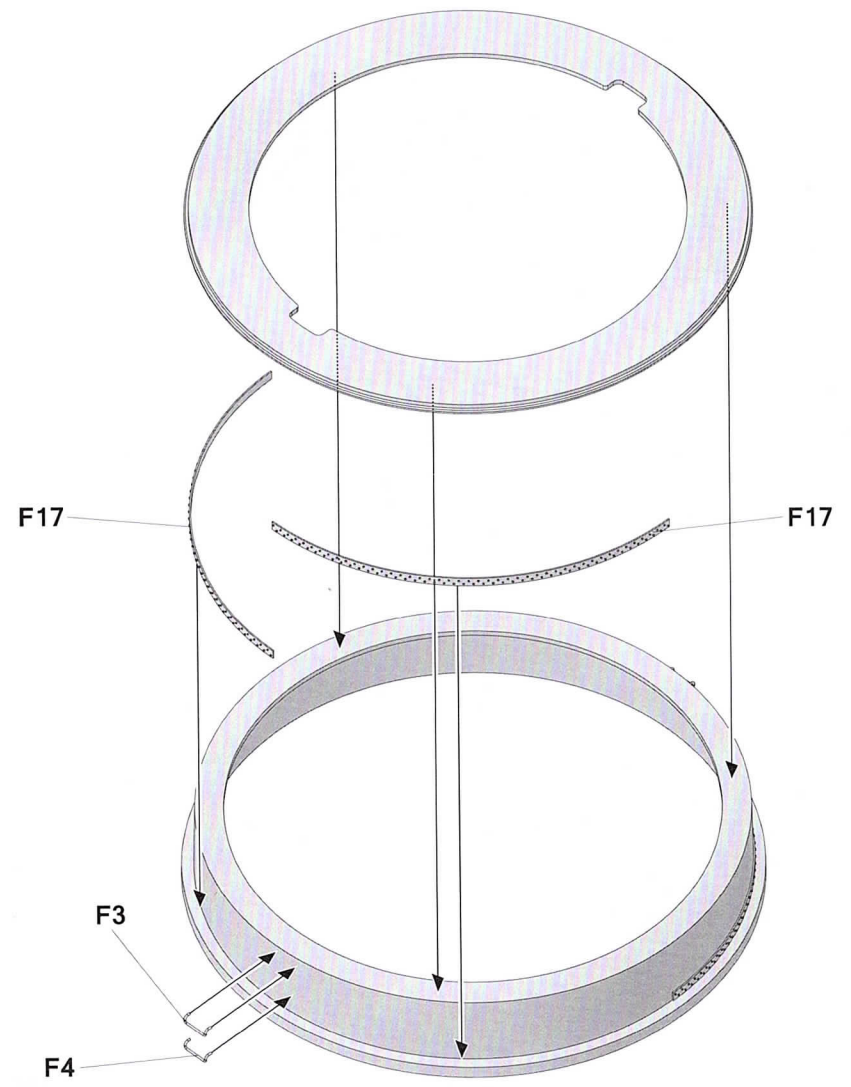
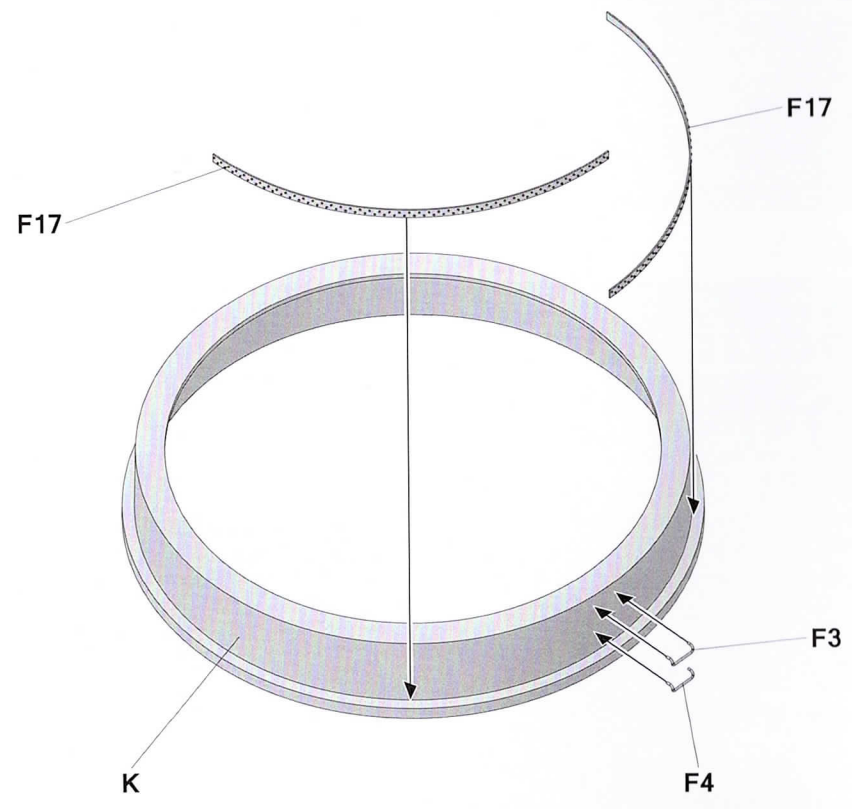
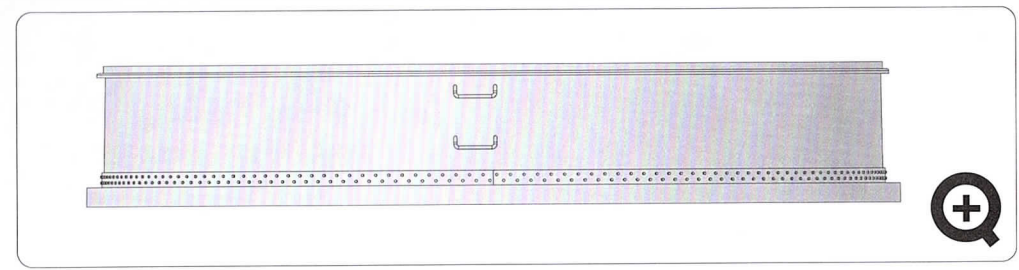
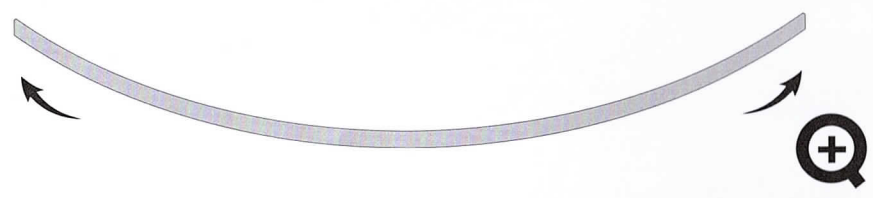
13-1

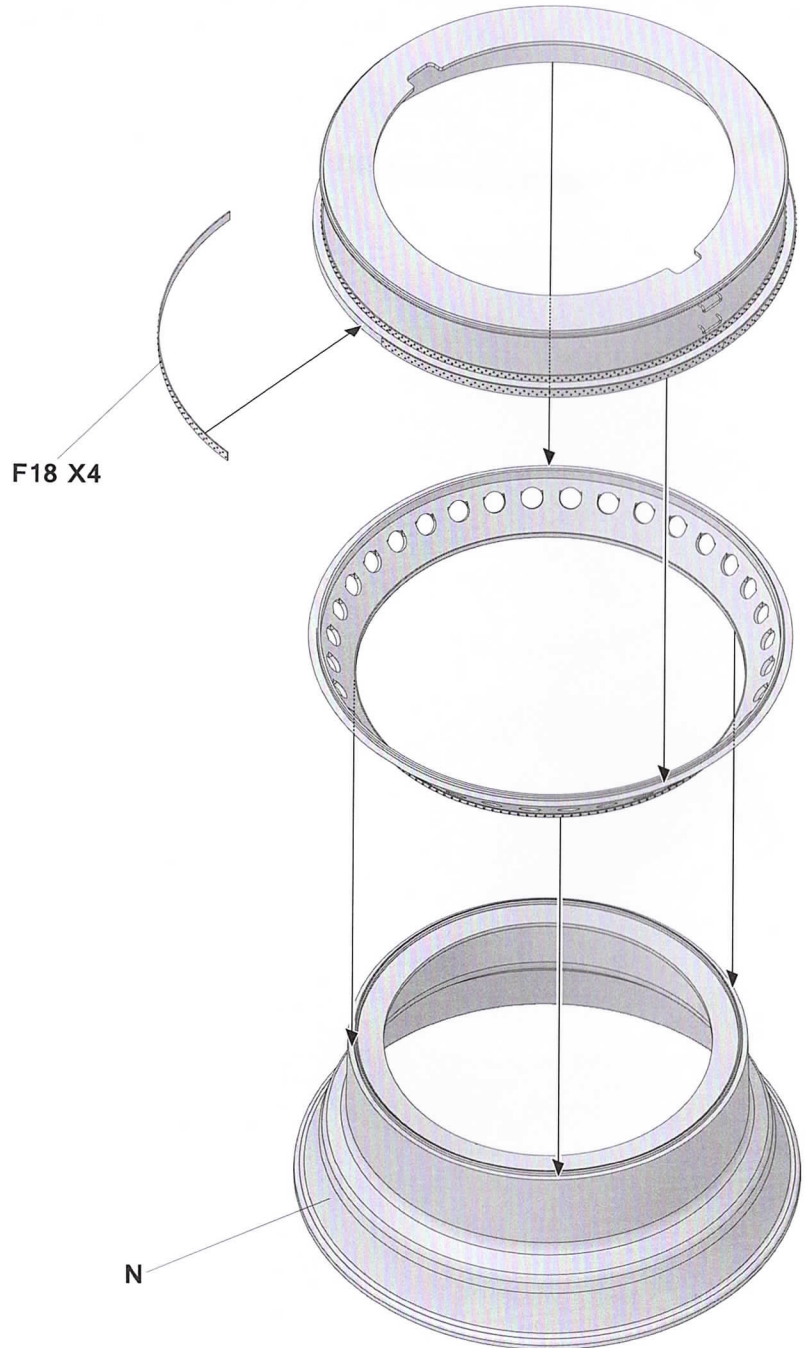
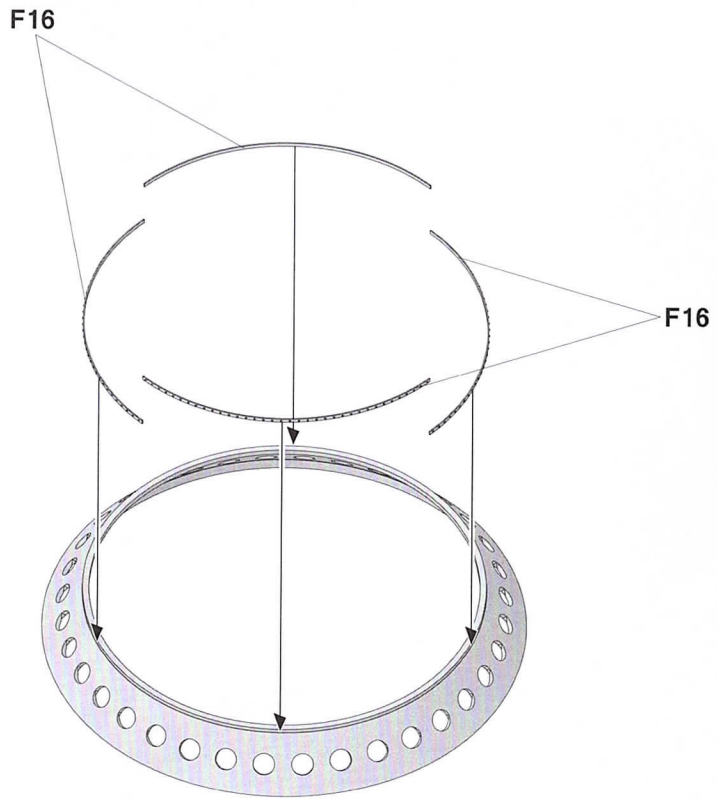


13-2

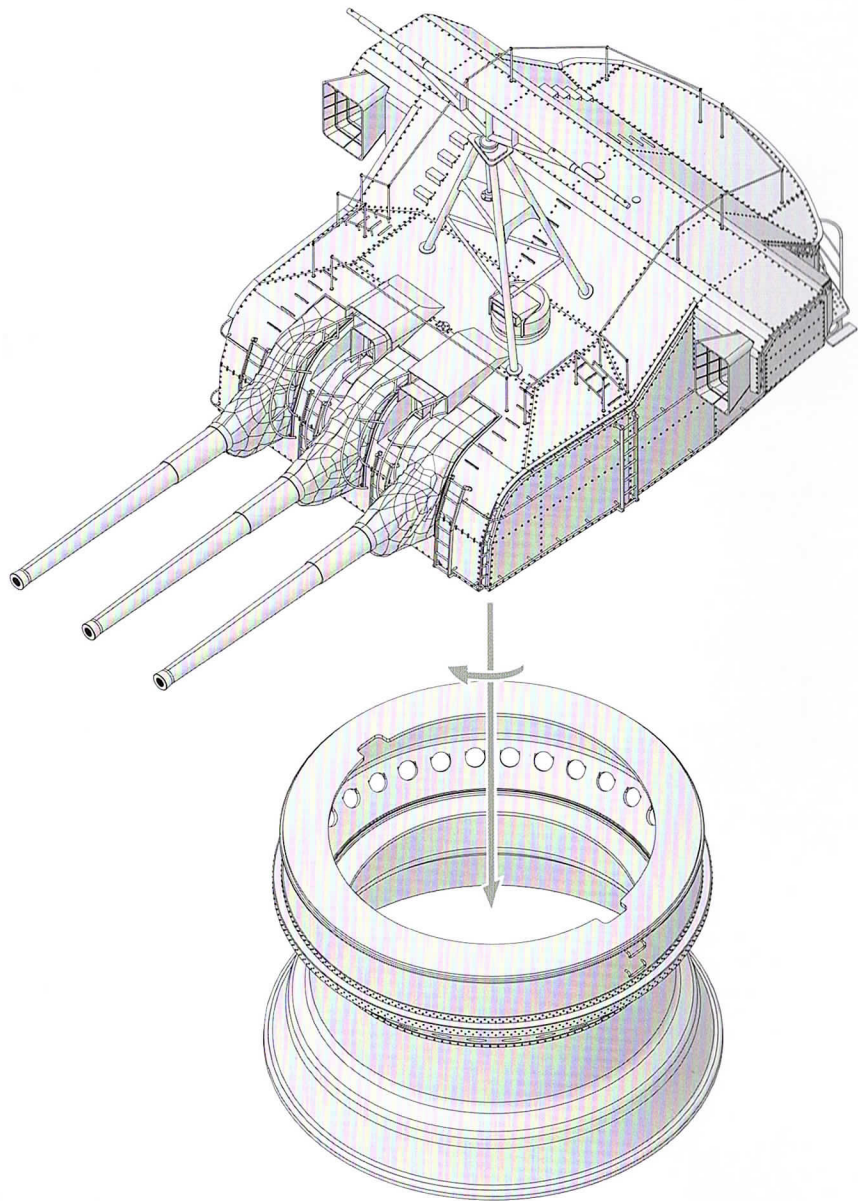


14

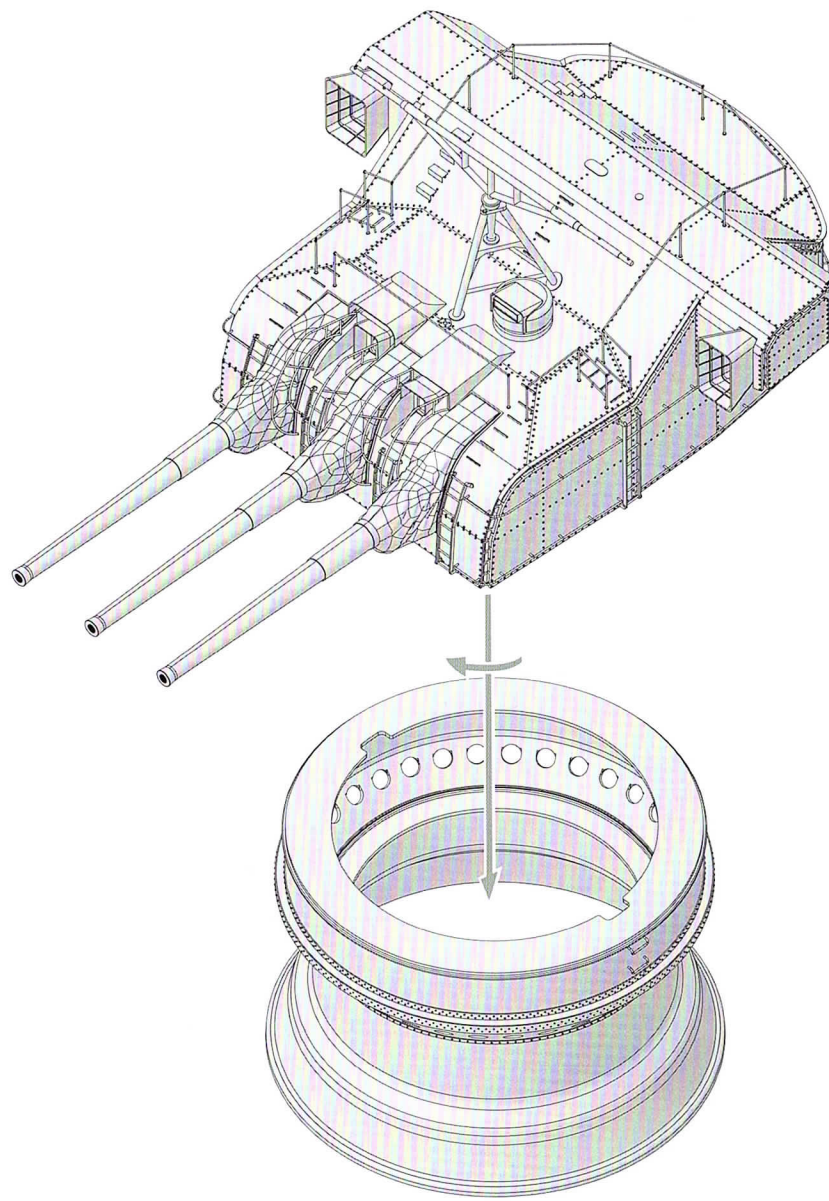




16-1



16-2



JAPANESE BATTLESHIP YAMATO

SECONDARY 15.5 CM/60 THIRD YEAR TYPE GUN TURRET

Painting and Marking Guide

TAKOM Ref: 2144

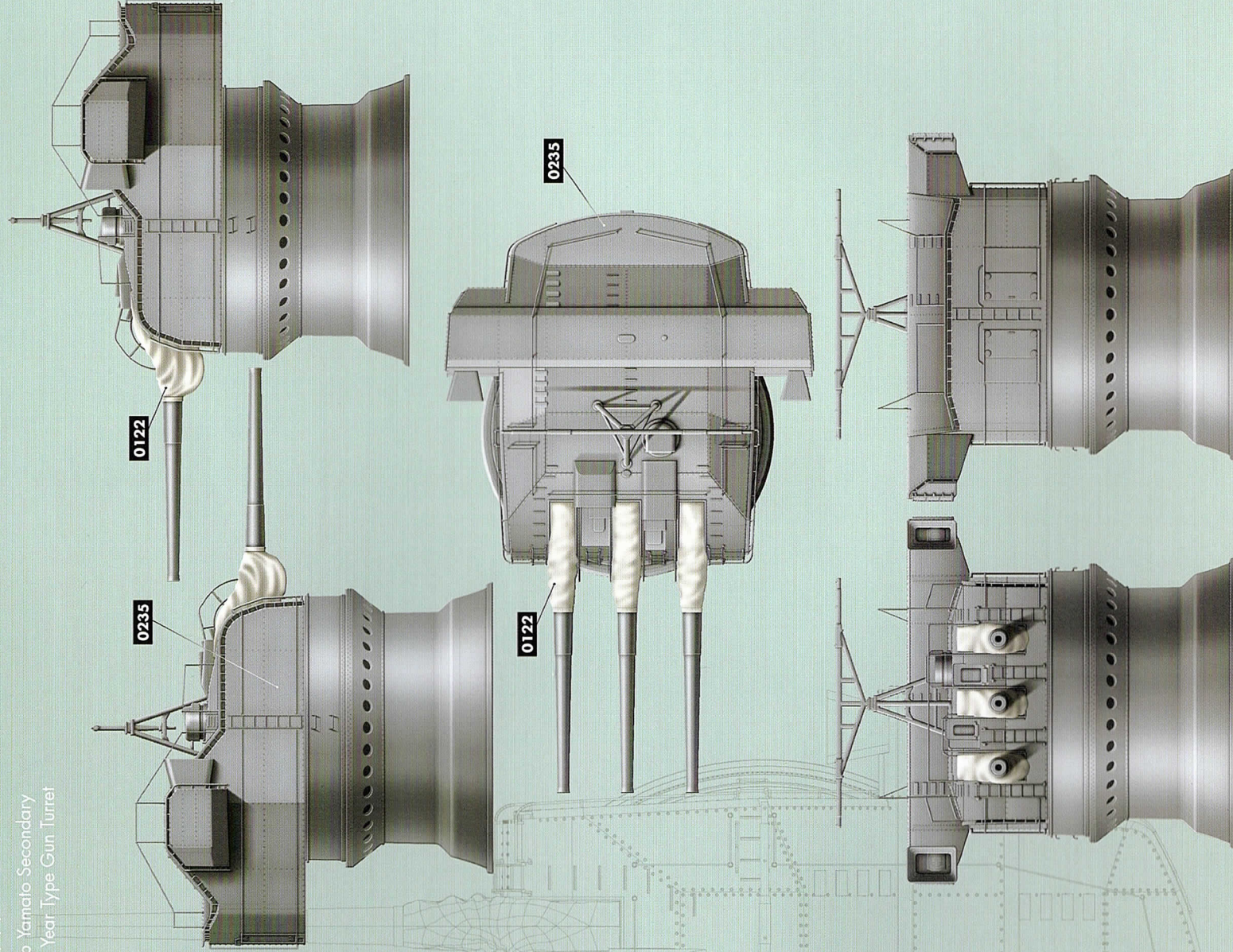
Japanese Battleship Yamato Secondary
15.5 cm/60 Third Year Type Gun Turret

A.MIG-0122

Bone

A.MIG-0235

Dark Grey
AMT-12



WEATHERING STEPS WITH AMMO PRODUCTS

1 SHADING

A.MIG-0857 Navy Grey Shader

A.MIG-1006 Blue Wash for
Panzer Grey

3 FILTER

A.MIG-1509 Blue for Dark Grey

4 PAINT FADING

A.MIG-3509 Oilbrusher Medium Grey

5 DIRT

A.MIG-0853 Dirt Shader

6 STREAKING

Streaking Grime for
Panzer Grey

7 RAINMARKS

A.MIG-1258 Streakingbrusher Dust

8 OIL

A.MIG-1408 Fresh Engine Oil

海軍戰艦 大和

九四式 一号主砲塔

JAPANESE BATTLESHIP YAMATO TYPE 94 46cm GUN MAIN TURRET No.1

TAKOM

▲ DETAILED STATIC DISPLAY PLASTIC MODEL
▲ 1 TYPE OF MARKING
▲ PE PARTS INCLUDED
▲ BASE INCLUDED

JASON 2020

▲ THIS IS NOT A TOY ▲ MODEL MAY VARY FROM IMAGE ON BOX
▲ READY TO ASSEMBLE PRECISION MODEL KIT ▲ CEMENT AND PAINT NOT INCLUDED ▲ INTENDED FOR COLLECTORS OF AGE 14 YEARS AND ABOVE

TREX
Designed by T-Rex Studio in China
1/72 No.5010

小豆坦克

CHINESE ARMY TYPE 94 TANKETTE ★

TAKOM

- ▲ HATCHES CAN BE BUILT IN OPEN OR CLOSED POSITION
- ▲ SUSPENSION AND ROAD WHEEL MOVABLE
- ▲ ONE-PIECE TRACKS INCLUDED
- ▲ PE & CLEAR PARTS INCLUDED
- ▲ RESIN PLA FIGURE INCLUDED
- ▲ 炮口可以選擇開閉并伴隨光學瞄準器
- ▲ 包含透明零件和金屬軸零件
- ▲ 包含精細的步兵人
- ▲ 炮塔炮座可動
- ▲ 履帶可動

1/16 No. 1009

▲ THIS IS NOT A TOY
▲ CEMENT AND PAINT NOT INCLUDED
▲ MODEL MAY VARY FROM IMAGE ON BOX
▲ READY TO ASSEMBLE PRECISION MODEL KIT
▲ INTENDED FOR COLLECTORS OF AGE 14 YEARS AND ABOVE

JASON 2019

Figure sculpted by JASON

“Bruno” GERMAN BATTLESHIP BISMARCK TURRET B

TAKOM

▲ BASE INCLUDED ▲ PE PARTS INCLUDED ▲ 5 TYPES OF MARKING ▲ DETAILED STATIC DISPLAY PLASTIC MODEL ▲

JASON 2020

▲ THIS IS NOT A TOY ▲ MODEL MAY VARY FROM IMAGE ON BOX
▲ READY TO ASSEMBLE PRECISION MODEL KIT ▲ CEMENT AND PAINT NOT INCLUDED ▲ INTENDED FOR COLLECTORS OF AGE 14 YEARS AND ABOVE

TREX
Designed by T-Rex Studio in China
1/72 No.5012

Pz.Kpfw.I Ausf.A

TAKOM

- ▲ HATCHES CAN BE BUILT IN OPEN OR CLOSED POSITION
- ▲ SUSPENSION AND ROAD WHEEL MOVABLE
- ▲ DETAILED STATIC DISPLAY PLASTIC MODEL
- ▲ PE & CLEAR PARTS INCLUDED
- ▲ 4 TYPES OF MARKINGS
- ▲ WORKABLE TRACKS

1/16 No. 1008

▲ THIS IS NOT A TOY
▲ CEMENT AND PAINT NOT INCLUDED
▲ MODEL MAY VARY FROM IMAGE ON BOX
▲ READY TO ASSEMBLE PRECISION MODEL KIT
▲ INTENDED FOR COLLECTORS OF AGE 14 YEARS AND ABOVE

JASON 2019

Designed by T-Rex Studio in China

2021/2144

