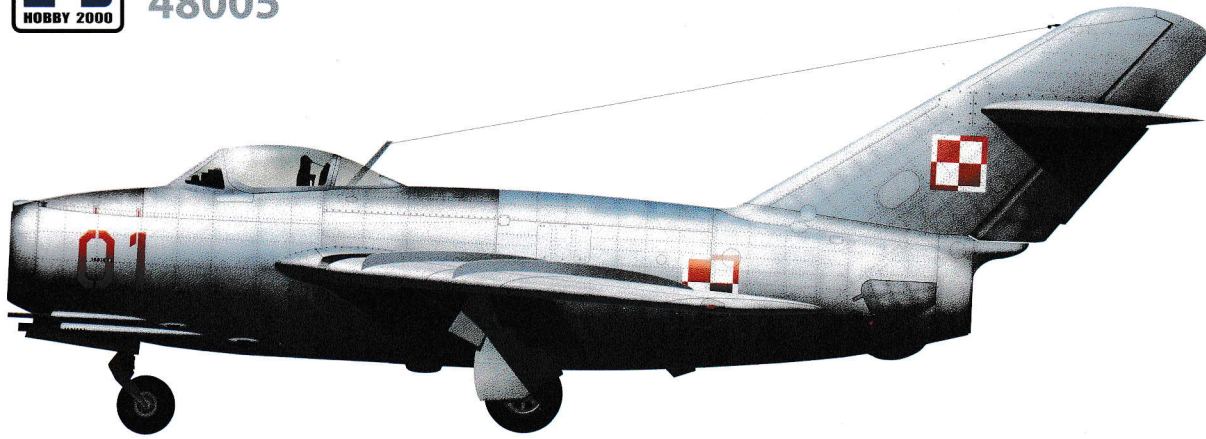


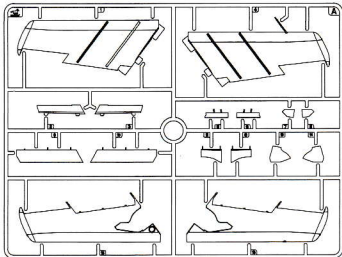


MIG-15 / LIM-1

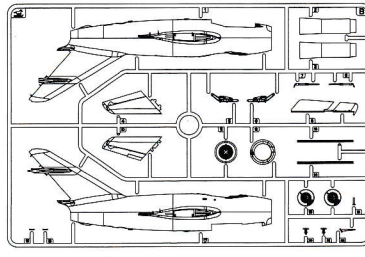
48005



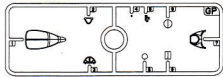
Ⓐ × 1



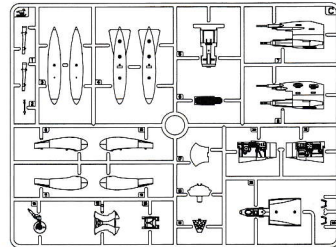
Ⓑ × 1



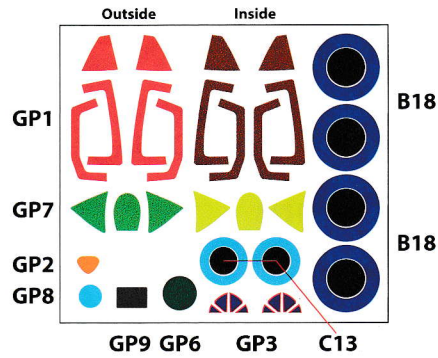
Ⓖ × 1



Ⓒ × 1



Painting Mask Set



OPEN HOLE
FORO APERTO
OFFNEN
HACER AQUJERO
WYKONAC OTWOR
FAIRE UN TROU
VYVRTAT OTVOR



DECAL
DECALCOMANIE
ABZIEHBILD
CALCOMANIA
KALKOMANIA
DECALCOMANIE
OBTISK



REMOVE
RETIRES
ENTFERNEN
CORTAR
WYCIAC
SEPARARE
ODSTRANIT



OPTION
FACULTATIF
NACH BELIEBEN
HACER AQUJERO
DO WYBORU
FACOLTATIVO
VOLBA



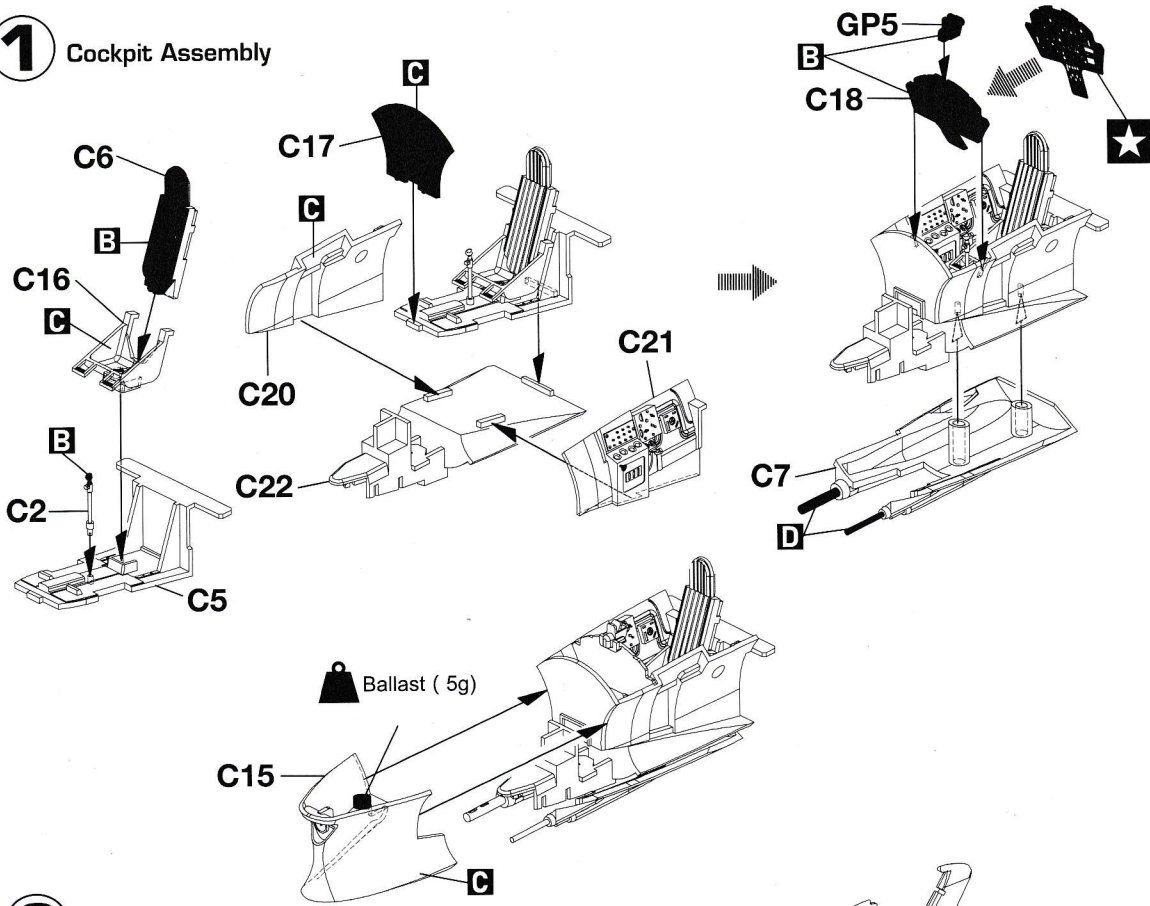
FILL HOLE
FORO PIENO
SCHLIESSEN
EMPUJE EL AQUJERO
ZAMKNAC OTWOR
BOUCHER LE TROU
ZAKRYJTE OTVOR



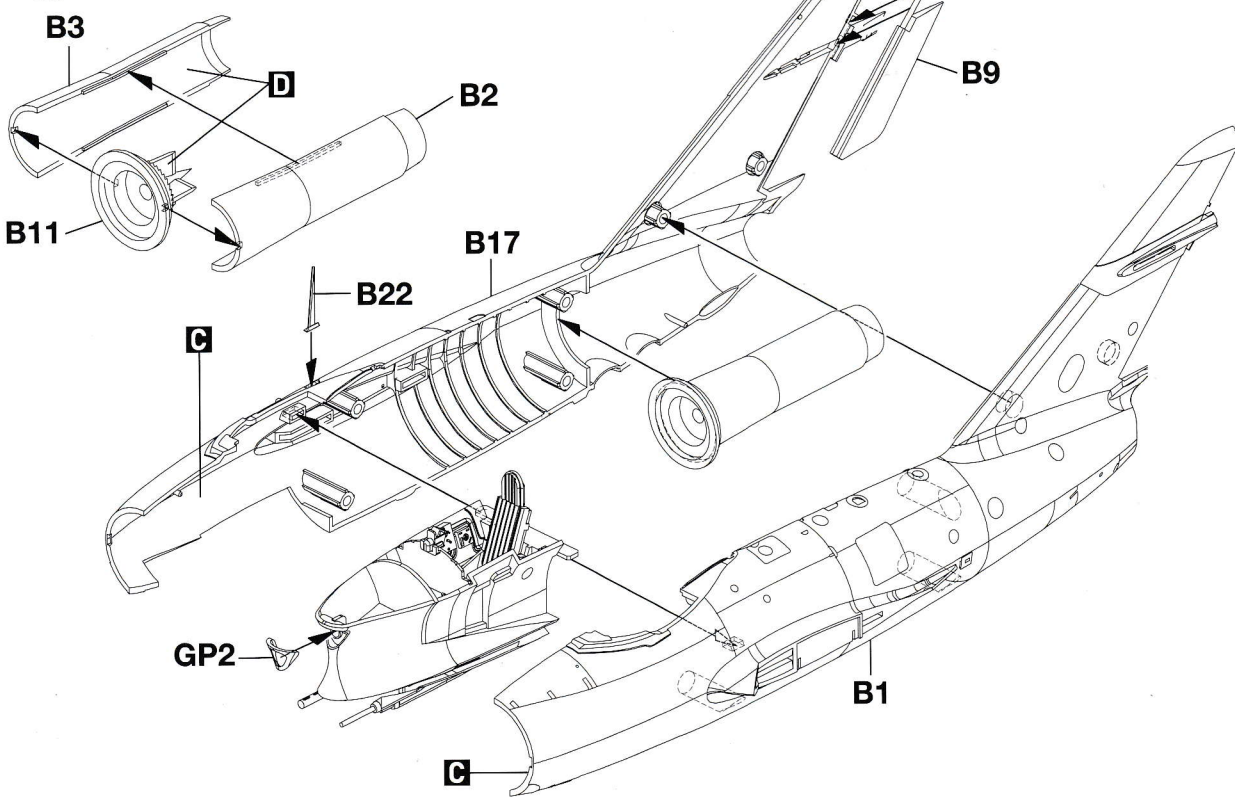
DO NOT CEMENT
NE PAS COLLER
NICHT KLEBEN
NO PEGAR
NIE SKLEJAC
NON INCOLLARE
NELPIT

Color Chart		AK Interactive	Alclad2	AMMO	HATAKA	Mr. COLOR	Revell	TAMIYA
Aluminium	A	AK-479	119	192	078	MC-218	199	XF-16
Flat Black	B	RC001	E102	046	100	033	108	XF-1
Light Blue Grey	C	RC311	E645	210	036	337	149	XF-25
Steel	D	AK-476	112	191	189	028	191	X-11
Black	E	AK-471	305	032		002	107	X-1
Tyre Black	F	RC022	E310	033	040	137	106	XF-85
Clear Red	G	RC503	401	093		047	731	X-27
Clear Blue	H	RC504	403	098		050	752	X-23
Clear Green	I	RC505	404	092		138		X-25
Silver	J	RC210	125	195	003	008	190	X-11
Red	K	RC006	E653	049	132	079	136	XF-7
Dark Aluminium	L	AK-480	103	194	139	MC-213		
Brown	M	RC335	E302	202	076	310	185	XF-59
Green	N	RC312	E601	080	080	312	148	XF-67
Sand	O	RC267	E304	055	066	321	188	XF-60
Blue	P	RC316	E615	224	320	323		
Dark Green	R	RC329	E308	060	073	319	139	XF-5

1 Cockpit Assembly

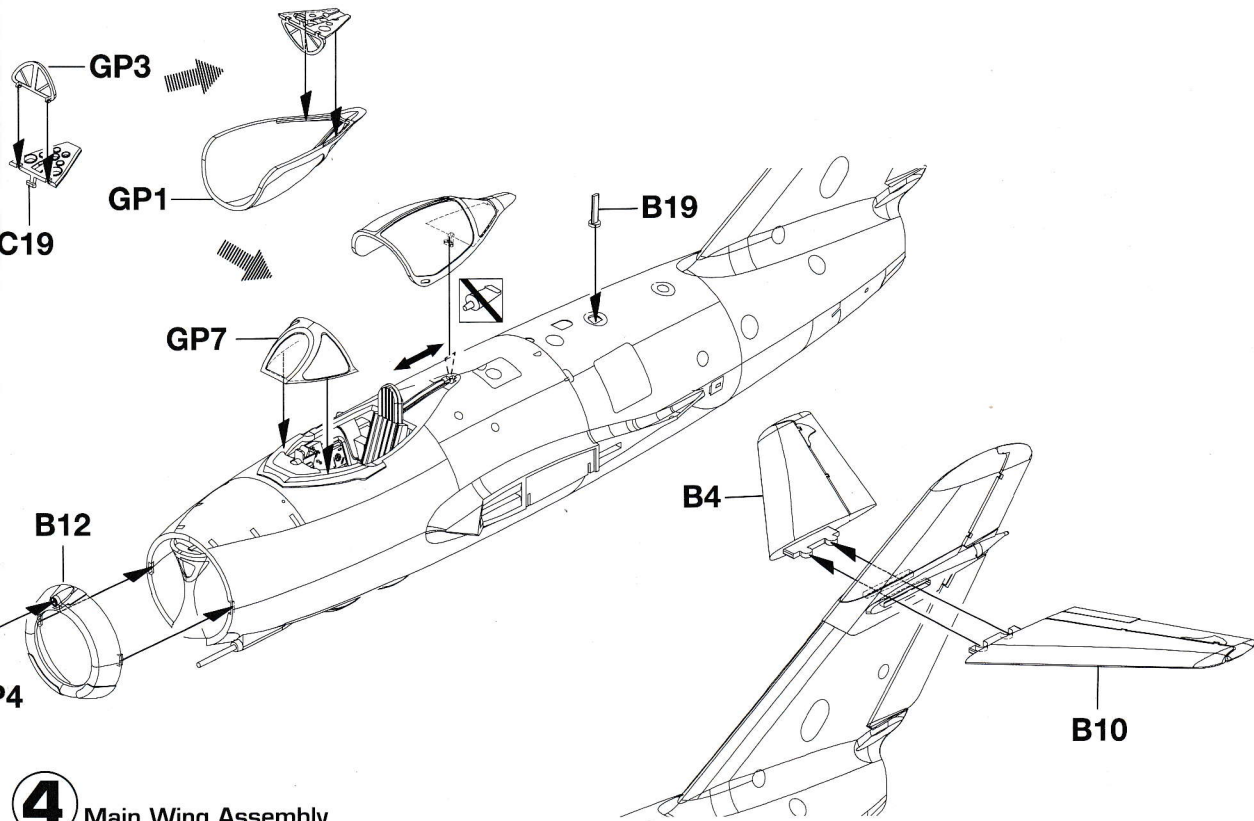


2 Fuselage Assembly

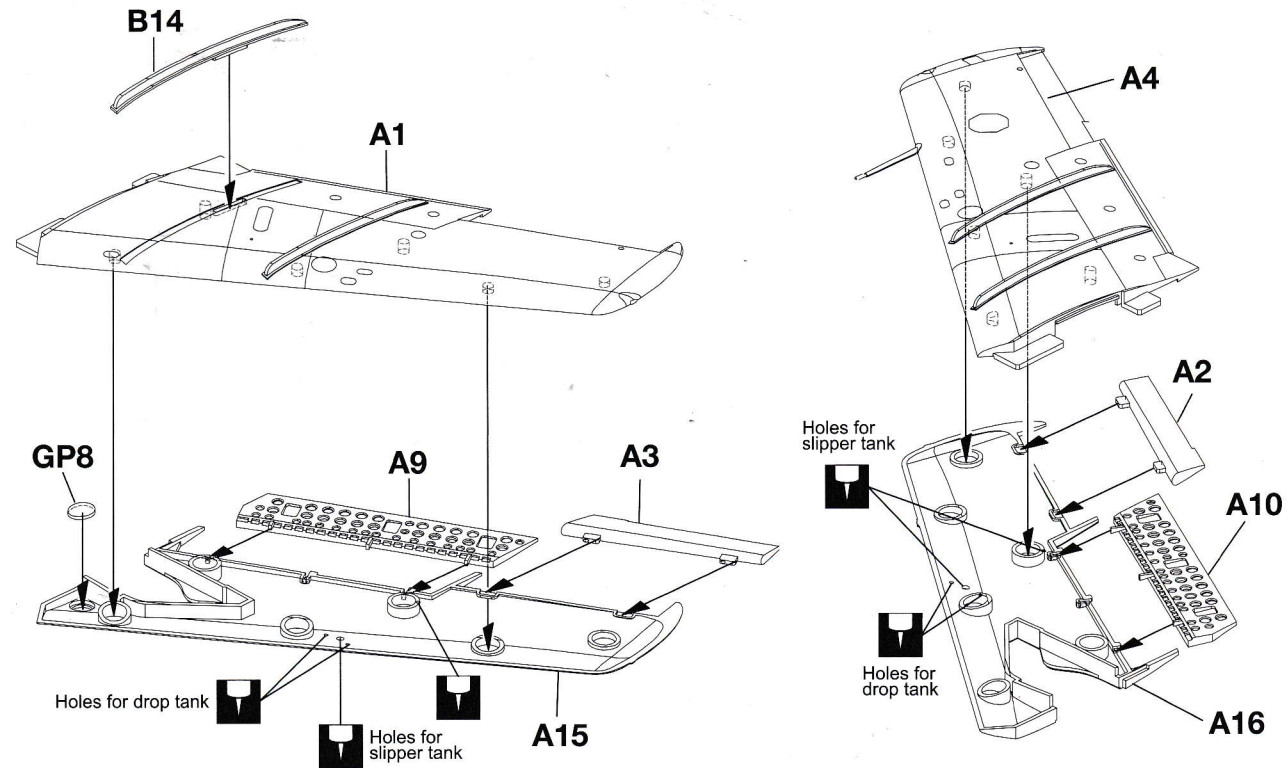


3 Fuselage Assembly

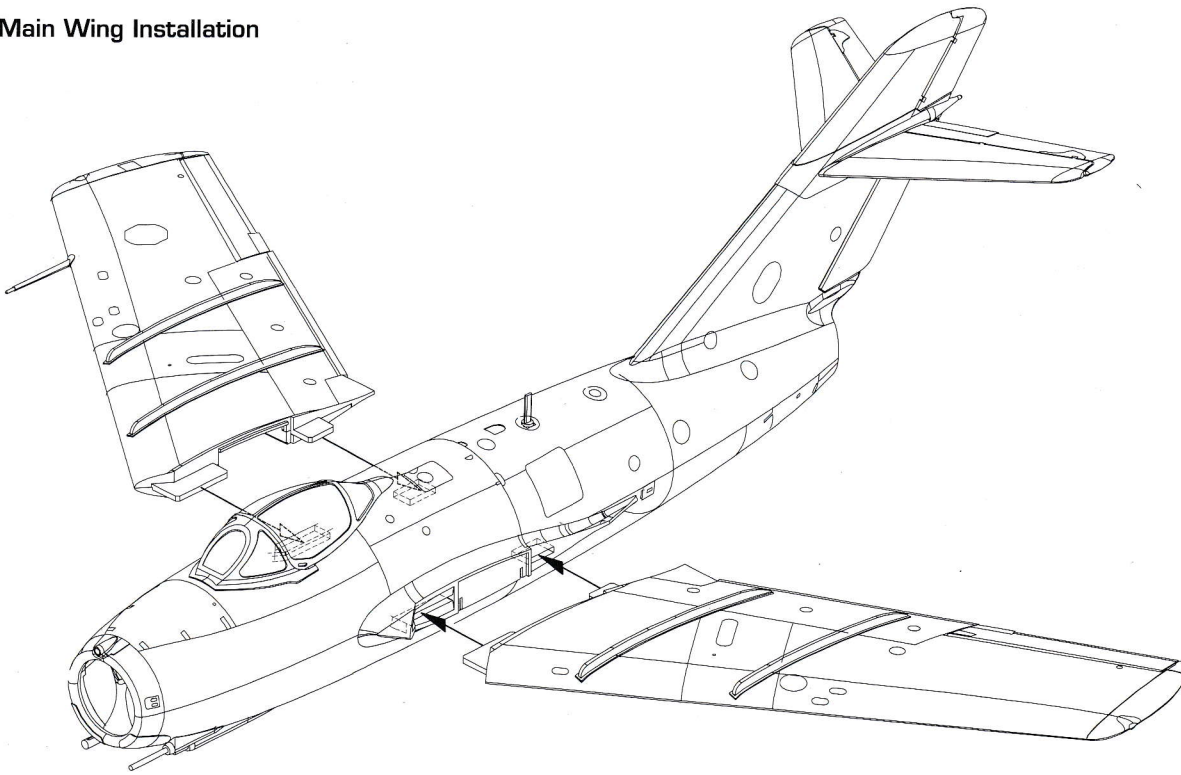
5



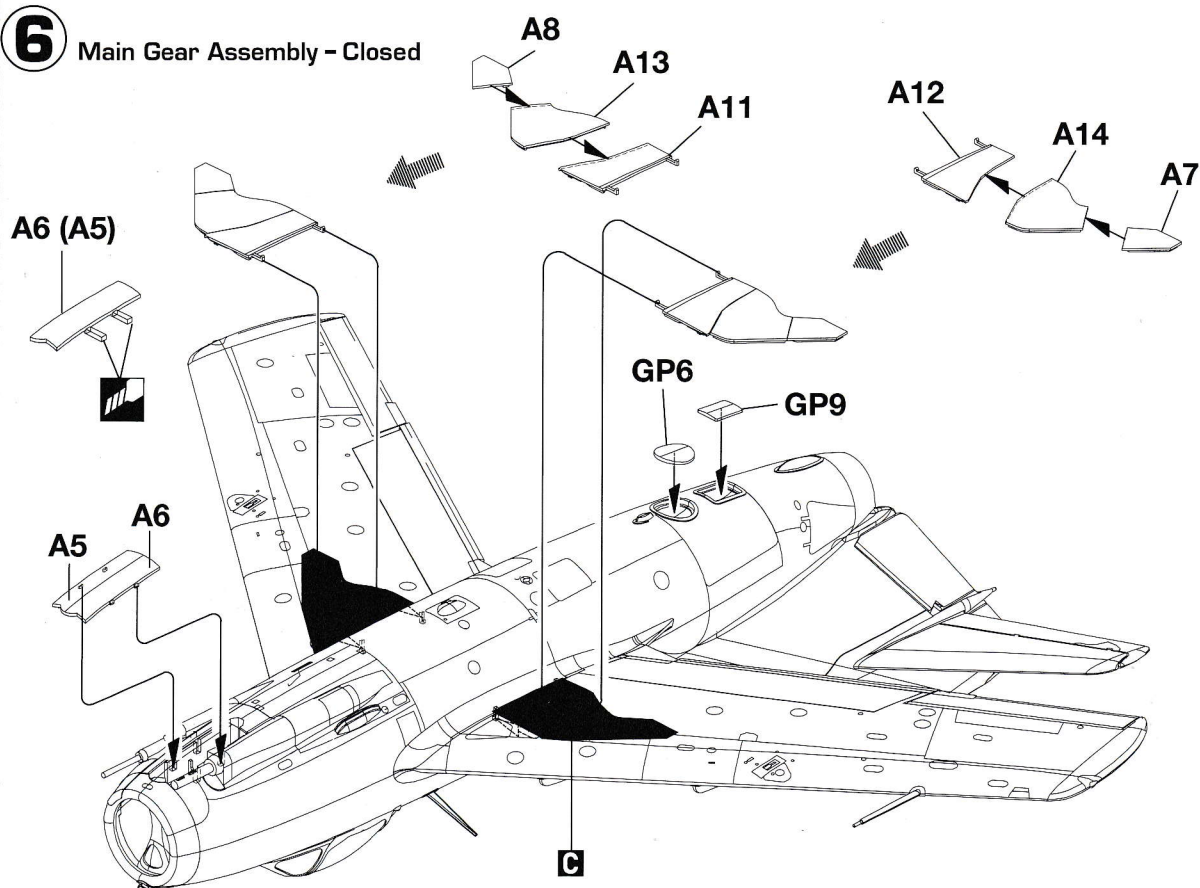
4 Main Wing Assembly



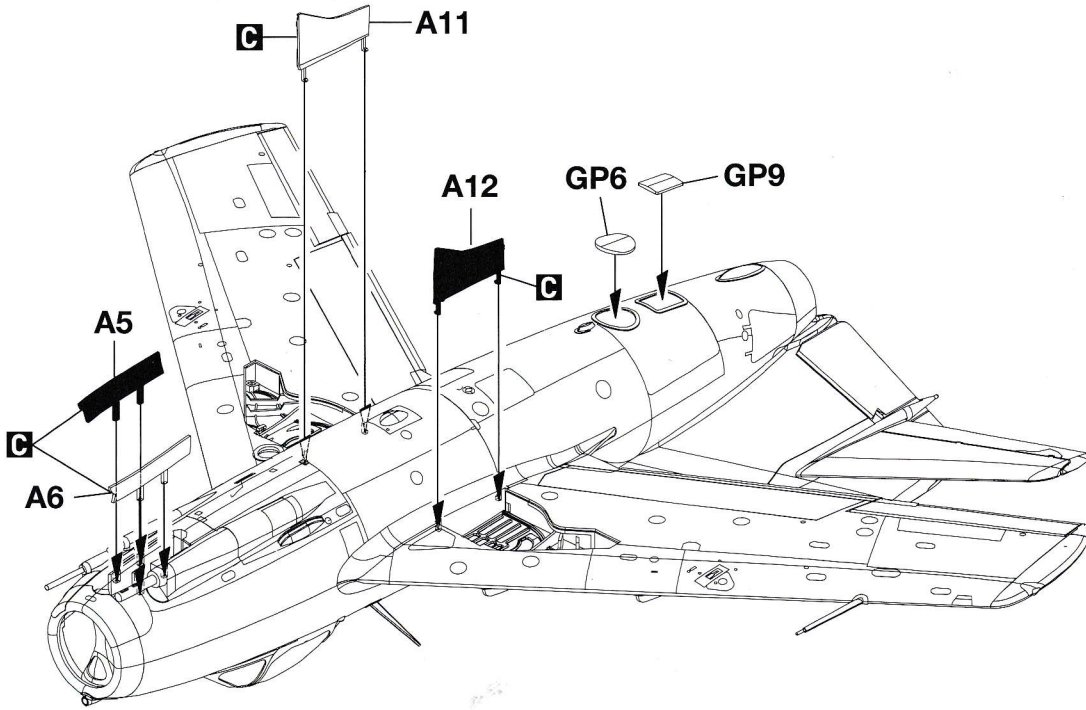
Main Wing Installation



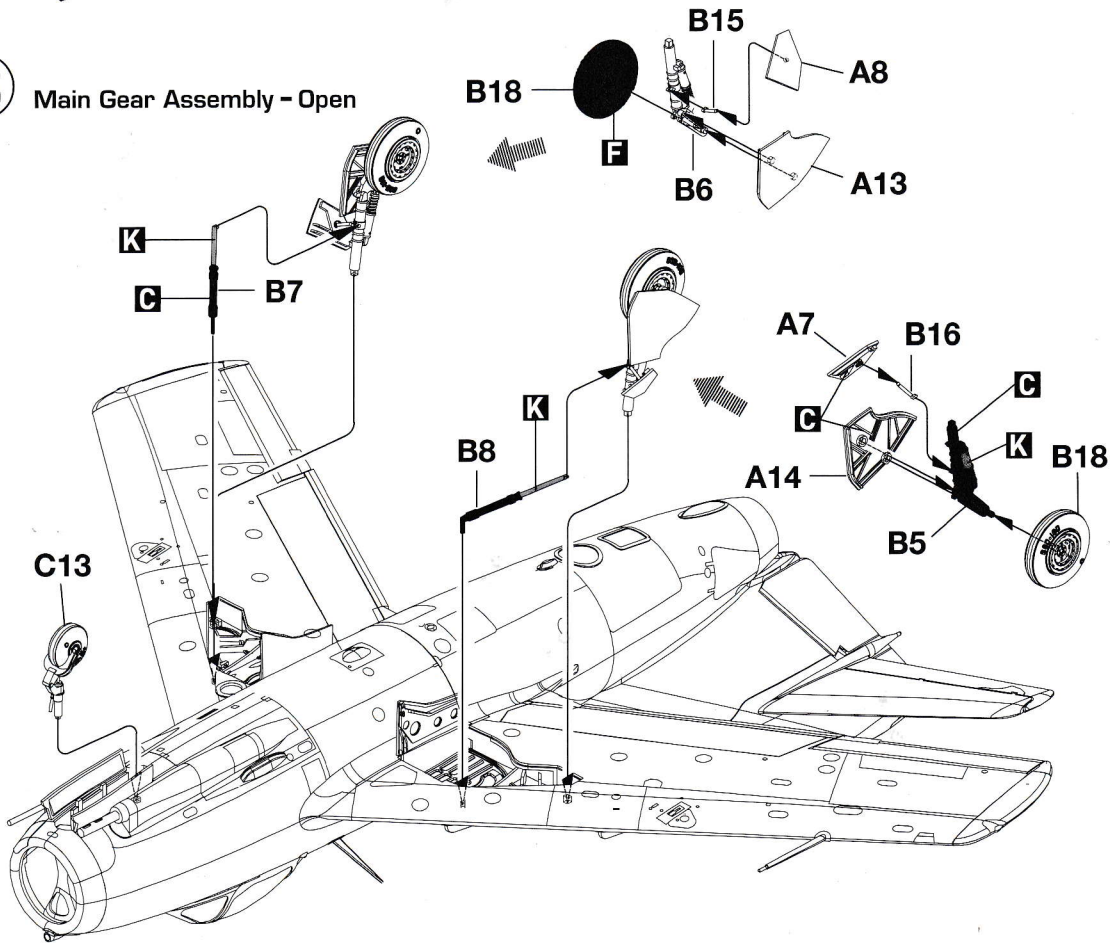
6 Main Gear Assembly - Closed



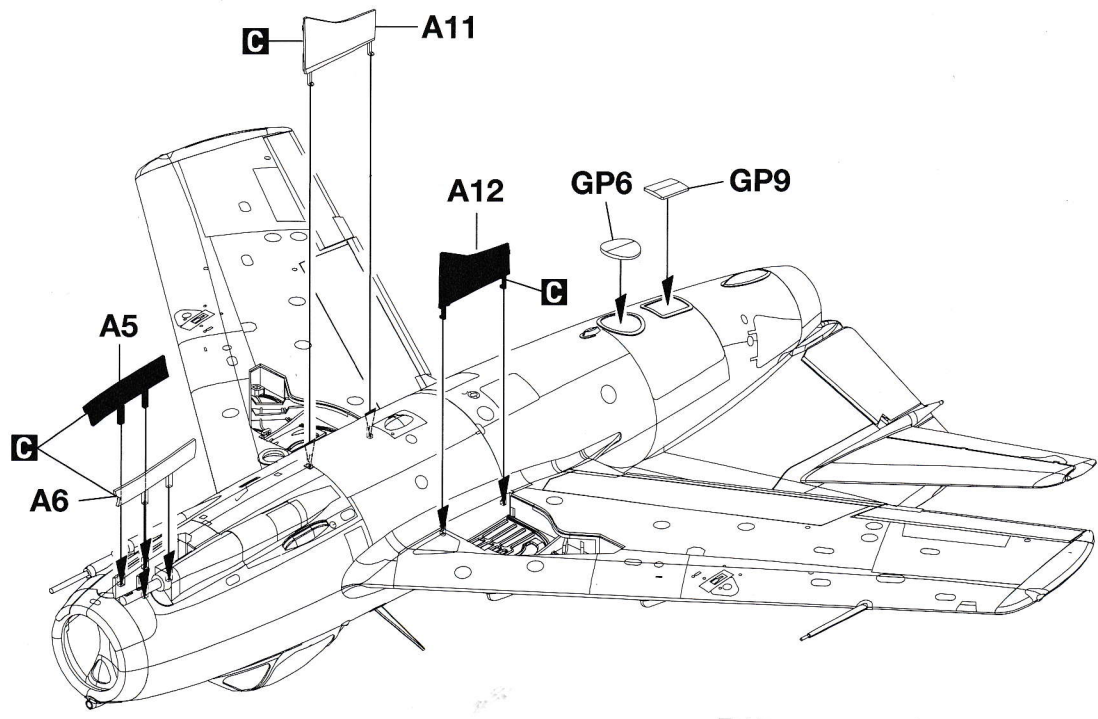
7 Main Gear Assembly - Open



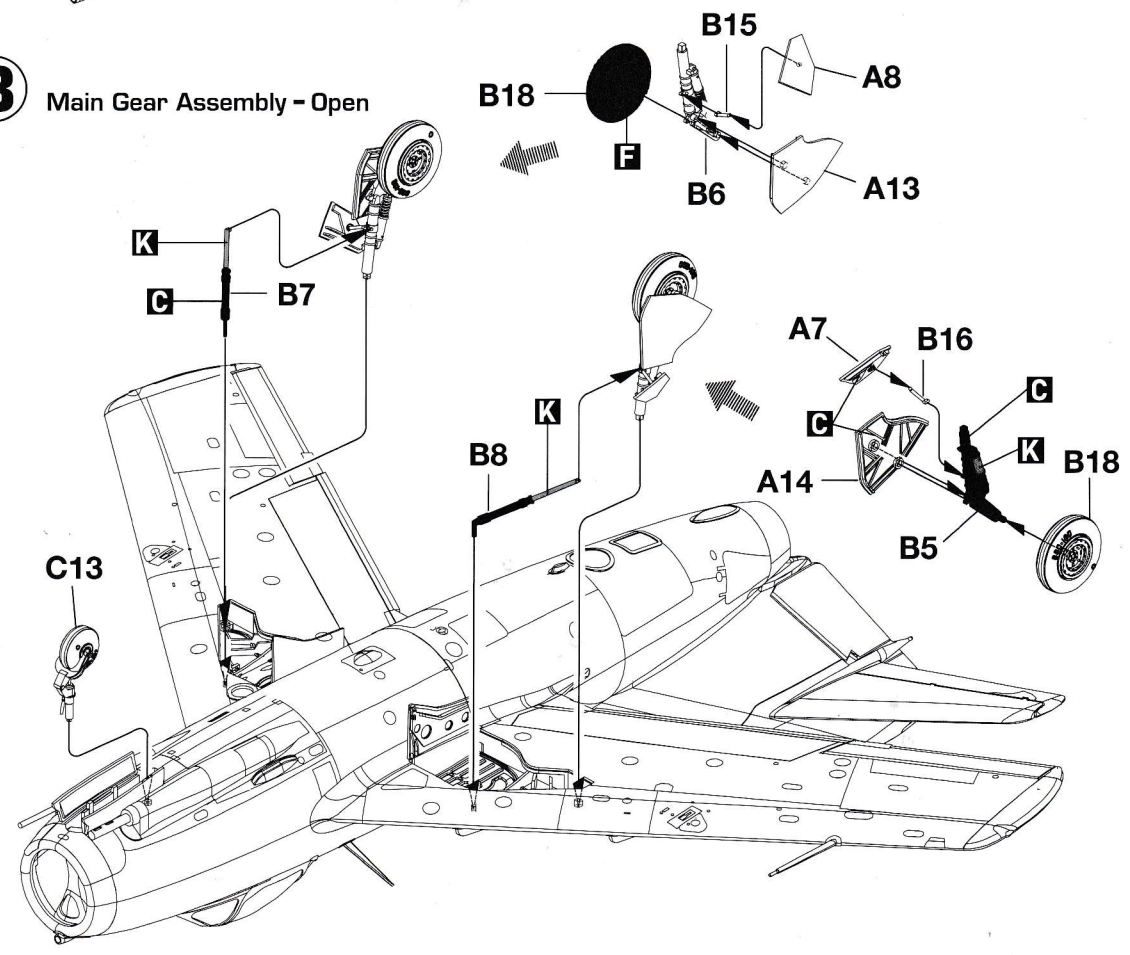
8 Main Gear Assembly - Open



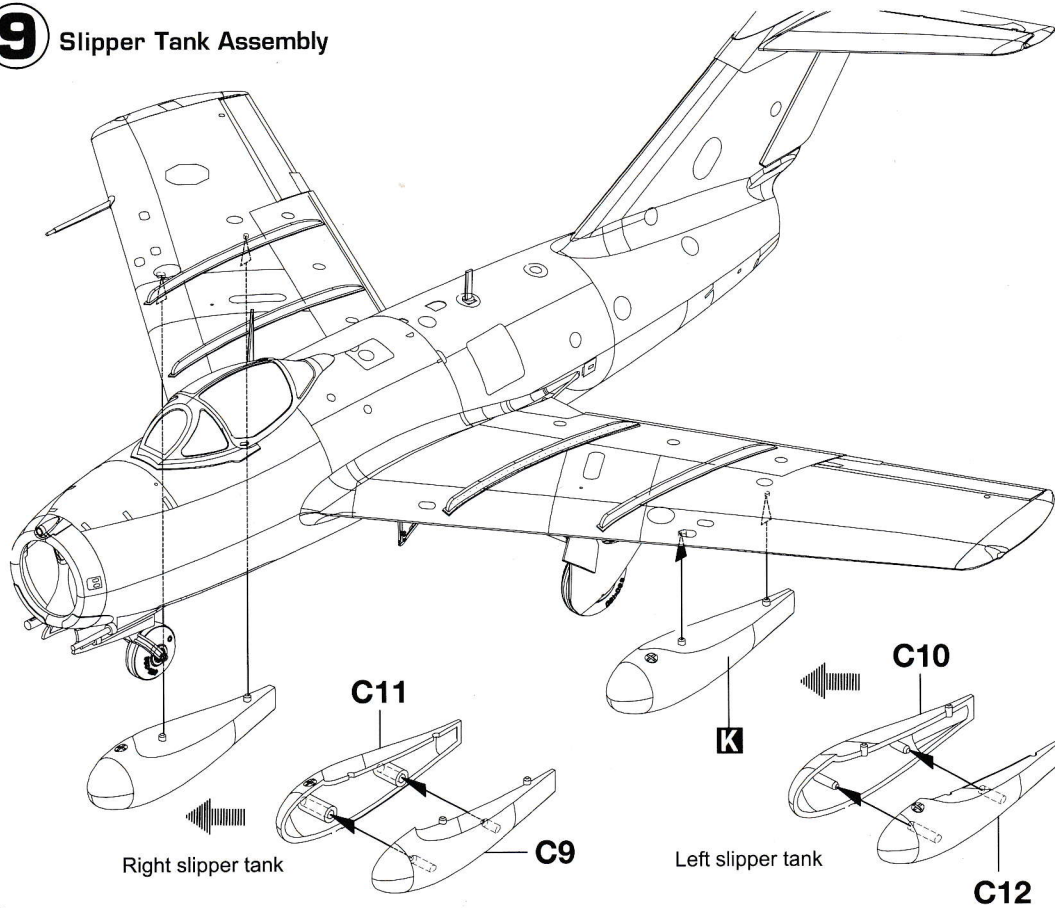
7 Main Gear Assembly - Open



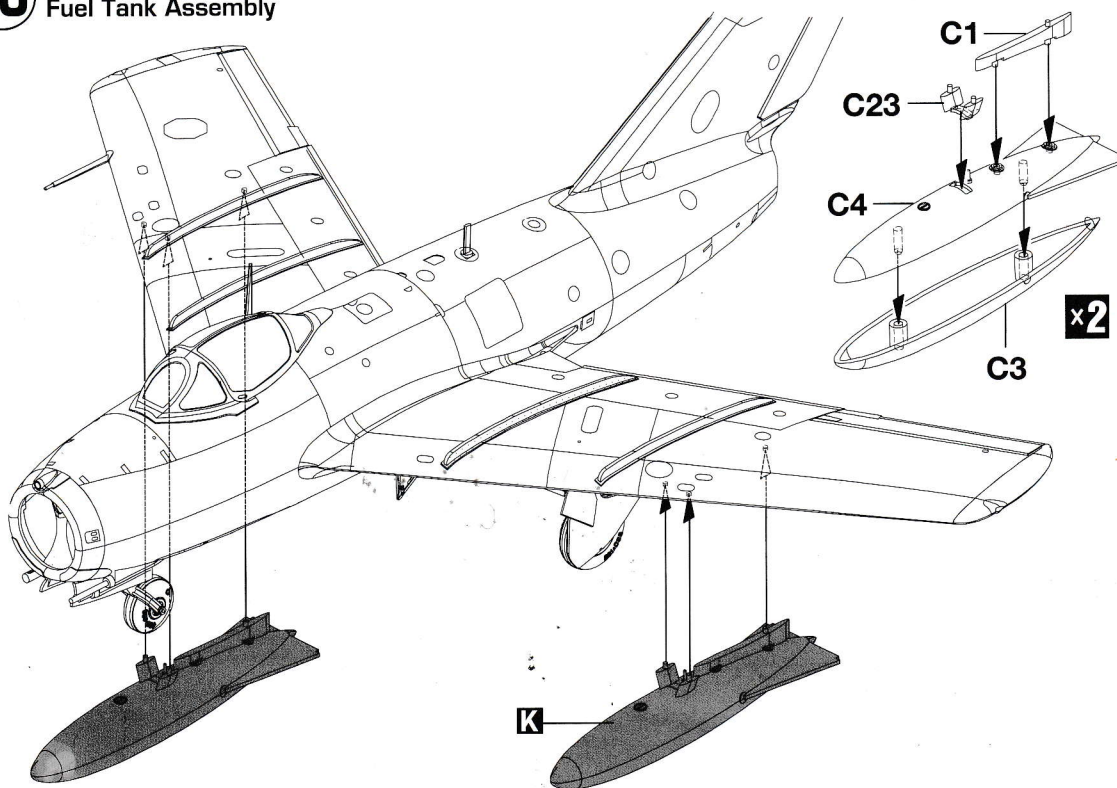
8 Main Gear Assembly - Open



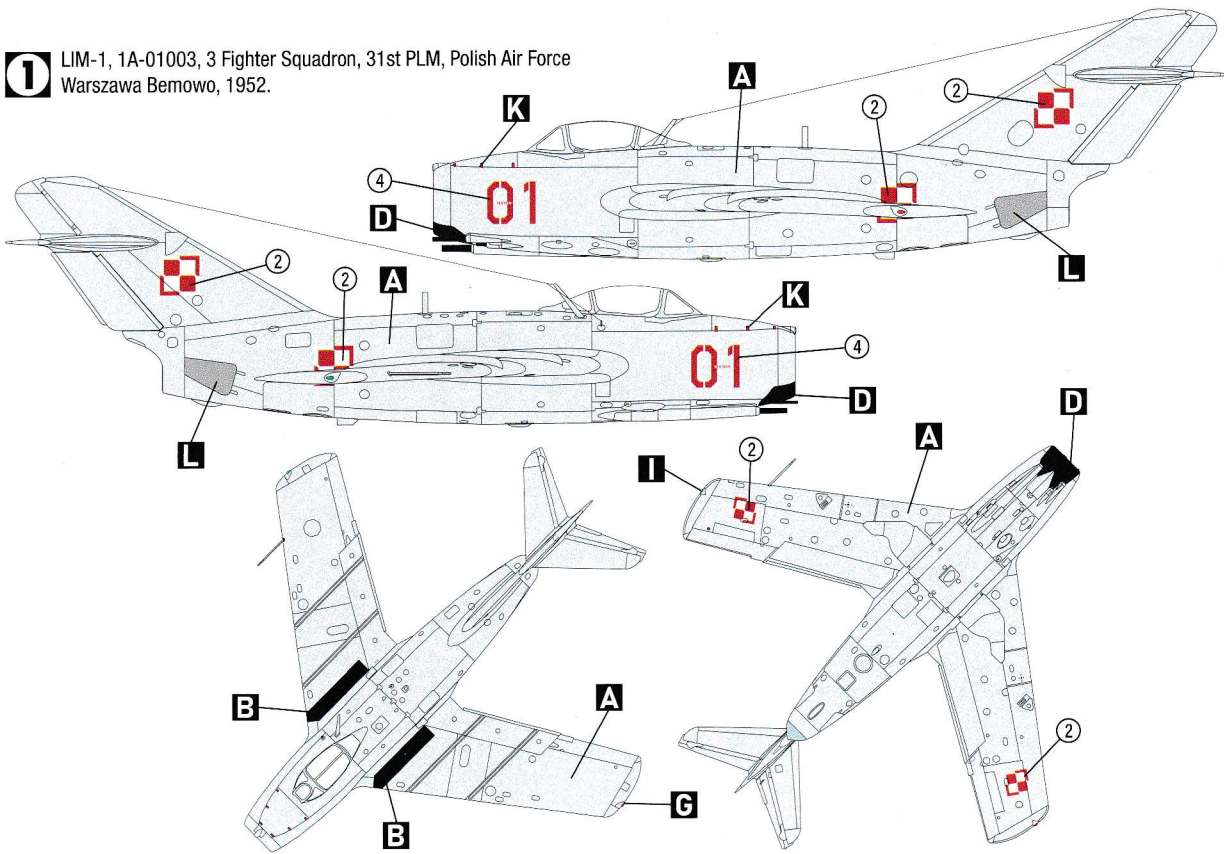
9 Slipper Tank Assembly



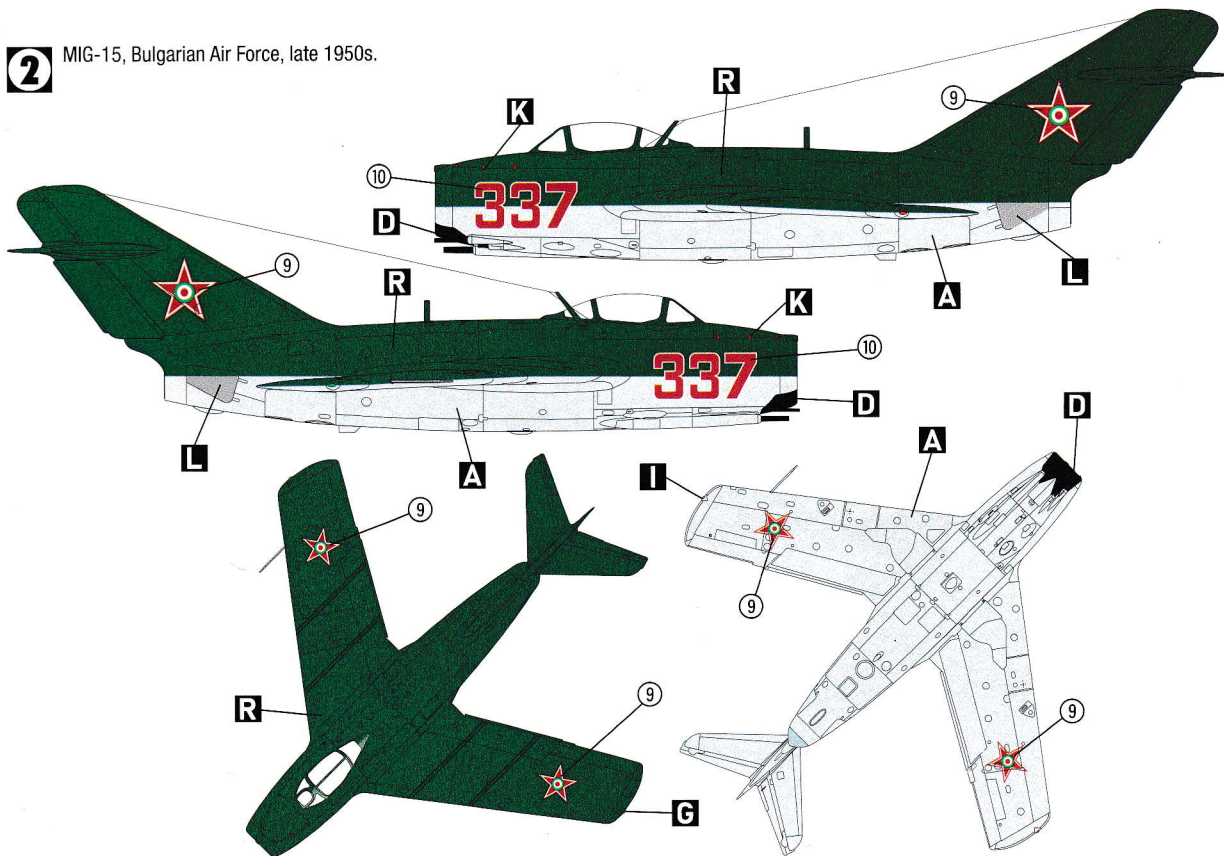
10 Fuel Tank Assembly



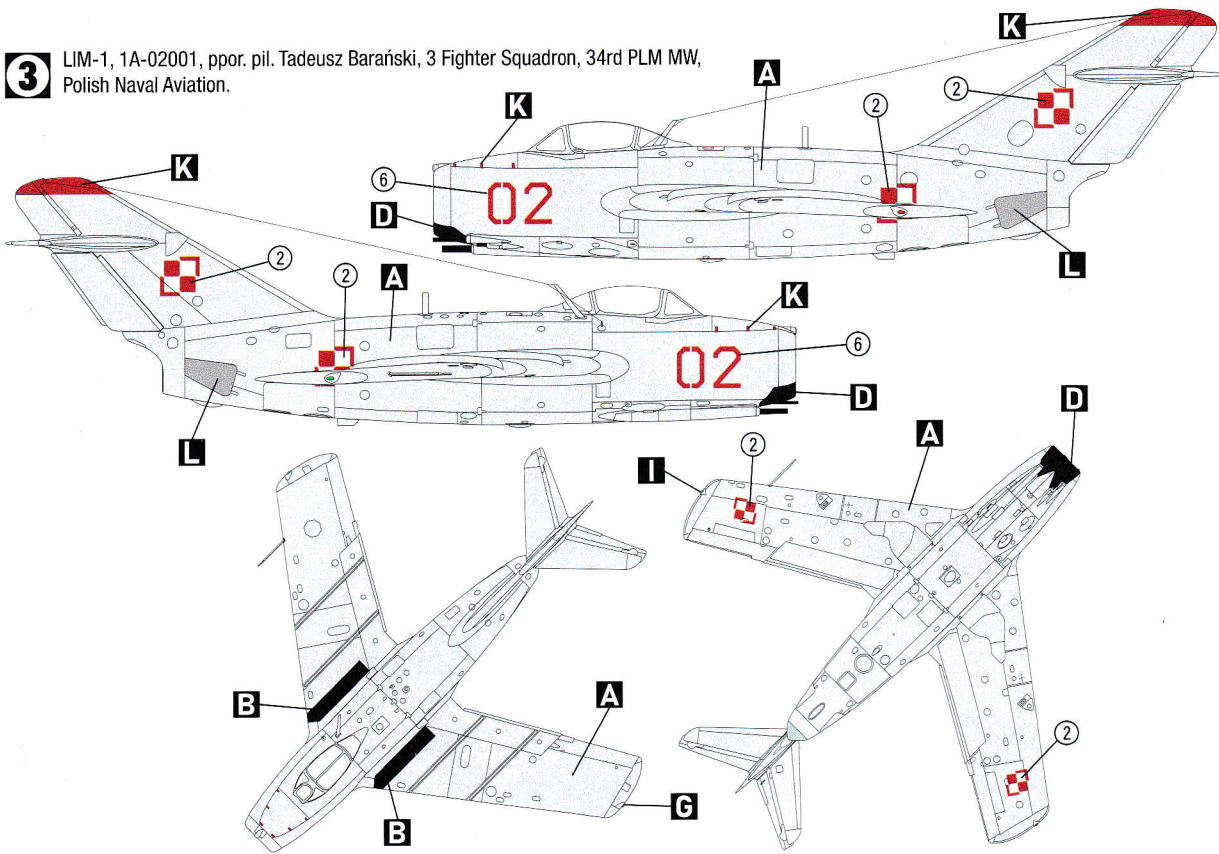
1 LIM-1, 1A-01003, 3 Fighter Squadron, 31st PLM, Polish Air Force
Warszawa Bemowo, 1952.



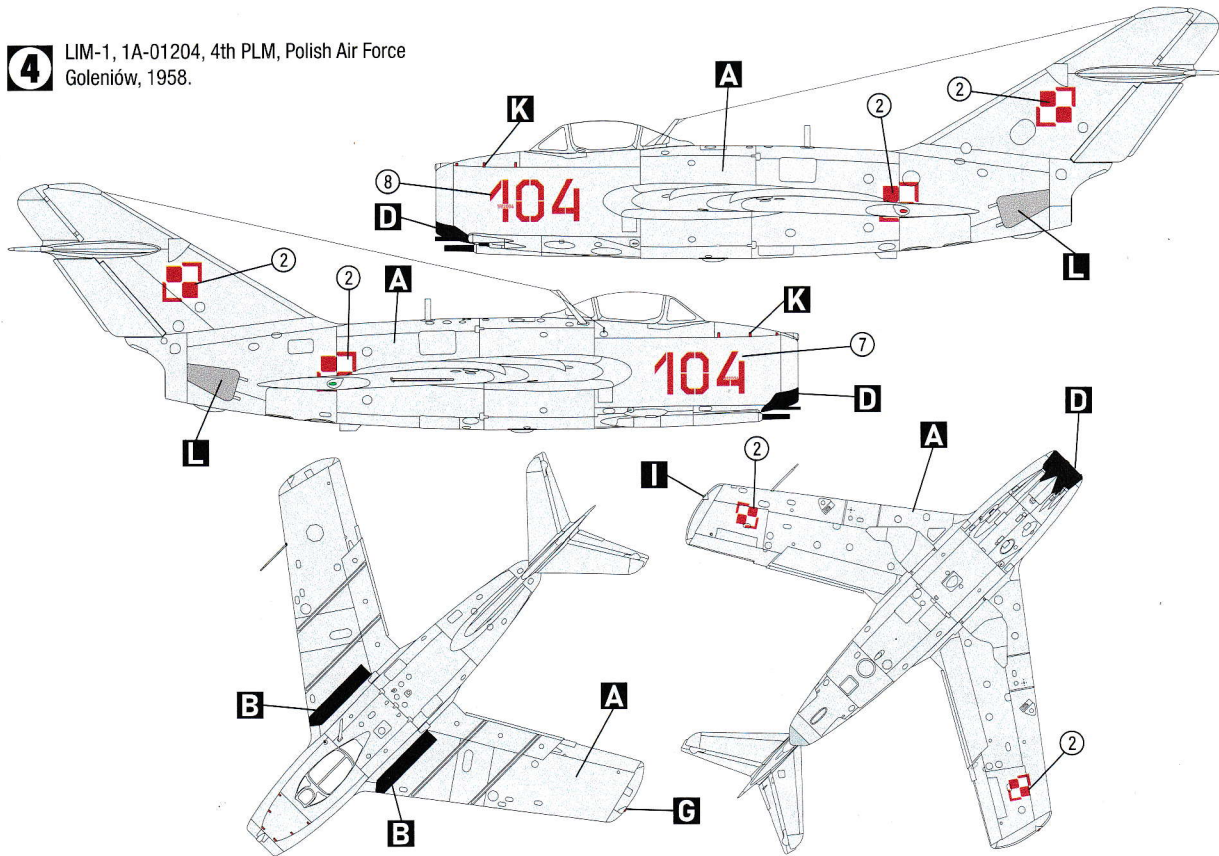
2 MIG-15, Bulgarian Air Force, late 1950s.



3 LIM-1, 1A-02001, ppor. pil. Tadeusz Barański, 3 Fighter Squadron, 34rd PLM MW, Polish Naval Aviation.



4 LIM-1, 1A-01204, 4th PLM, Polish Air Force Goleniów, 1958.



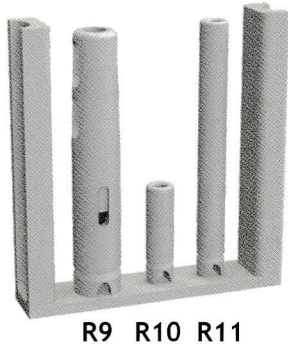


MIG-15 / LIM-1 / S-102 Limited Edition

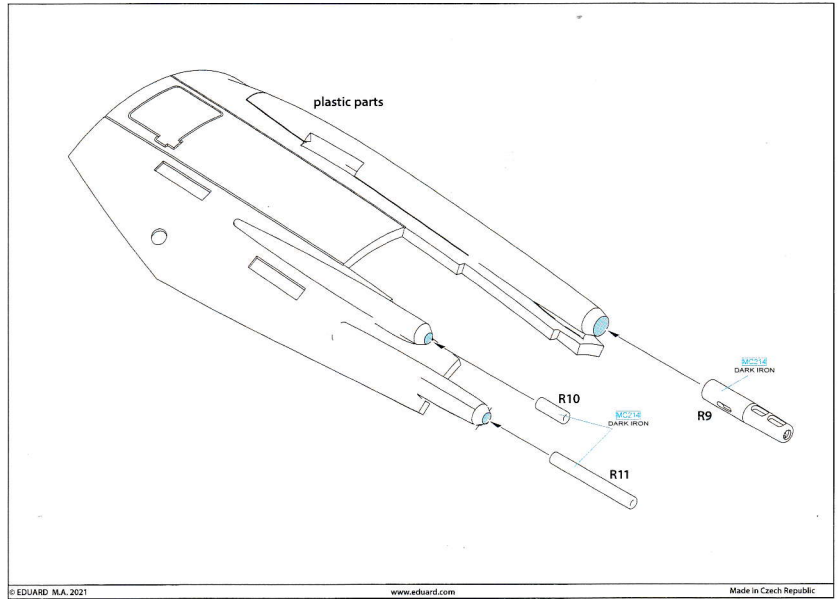
Instruction Manual

48005LE

MiG-15 gun barrels



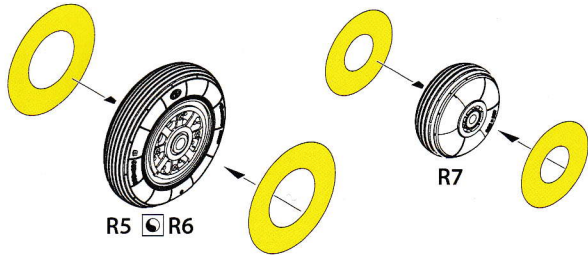
R9 R10 R11



© EDUARD M.A. 2021

www.eduard.com

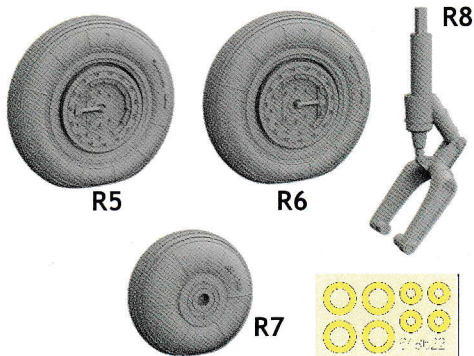
Made in Czech Republic



R5 R6

R7

MiG-15 wheels

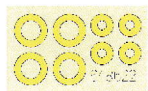


R5

R6

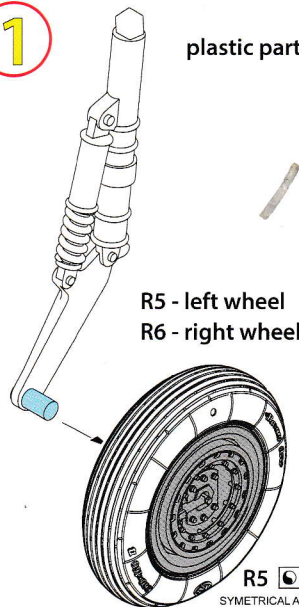
R8

R7



1

plastic parts

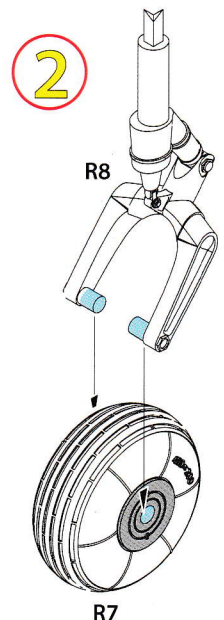


R5 - left wheel
R6 - right wheel

R5 R6

SYMETRICAL ASSEMBLY

2



R8

R7

APPLY EXPRESS MASK AND PAINT BEFORE GLUING

SYMMETRICAL ASSEMBLY

REMOVE

GRIND

DRILL HOLE

3D DECAL PARTS

1 COLORED ETCHED PARTS

1 ETCHED PARTS

1 ORIGINAL KIT PARTS

BEND

OPTION

REPLACE

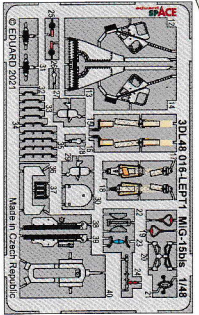
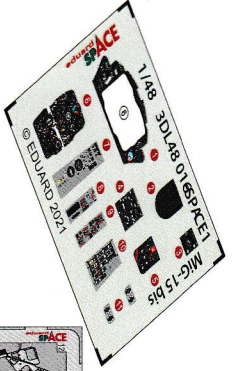
ORIGINAL KIT PARTS

COLORED 3D DECAL PARTS

PHOTO-ETCHED PARTS

PARTS TO BE REMOVED

FILL



eduard
SPACE

3D decals
Soak the decal in the warm water for couple of seconds and after its separation from the backing paper position it on the model.

-To increase decal's adherence use the white glue, Mr. Mark Setter or apply to the glossy surface.

-Leaving decal in the water for too long can cause its swelling and distortion.

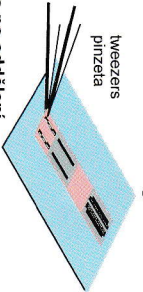
PE parts
-Use cyanoacrylate glue to attach.

3D decals
-Vložte na několik vteřin do teplé vody a po oddělení od podkladového papíru naneste na model.

-Pro zvýšení přilnavosti lze použít disperzní lepidlo, Mr. Mark Setter či obtisk nanášet na lesklý povrch.

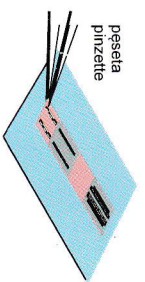
-Příliš dlouhé vystavení 3D obtisků vodě může způsobit jeho nabobtnání.

PE parts
-K lepení použijte kyanoakrylátové lepidlo.

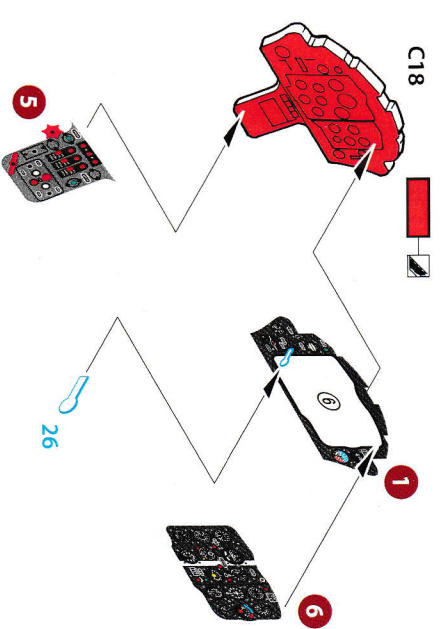
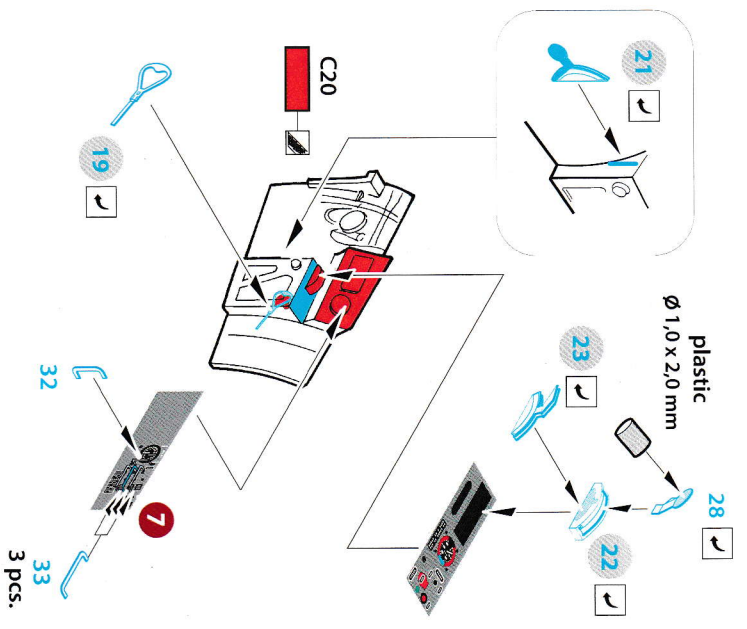
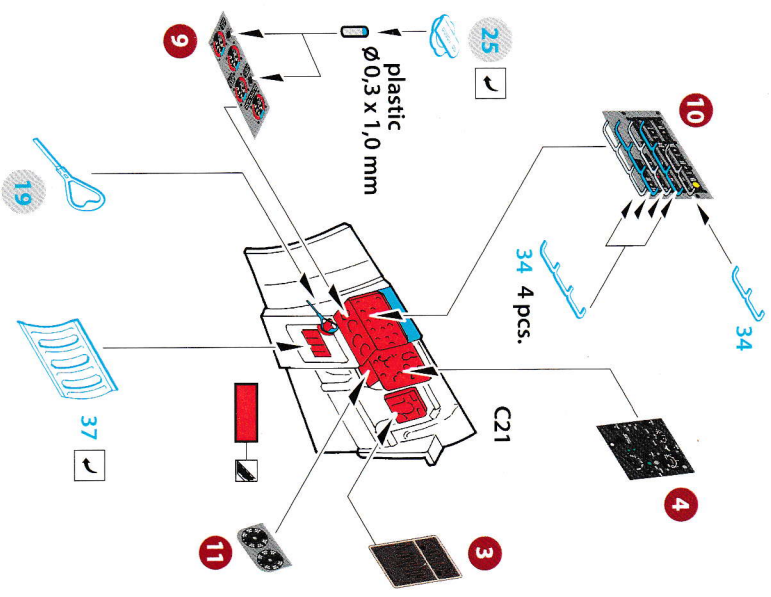


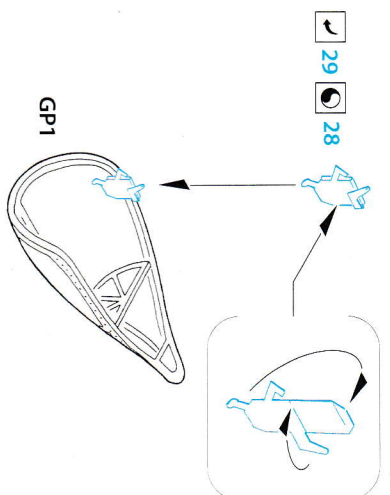
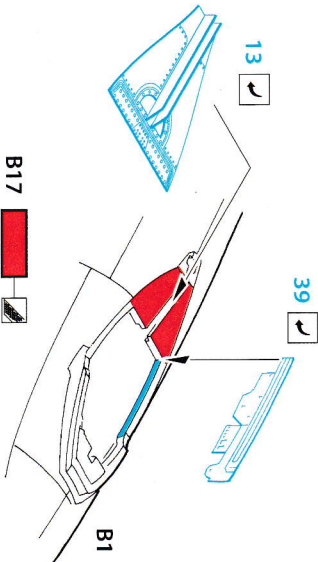
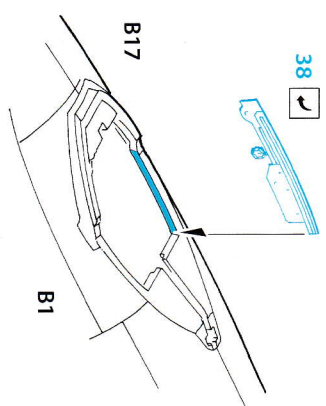
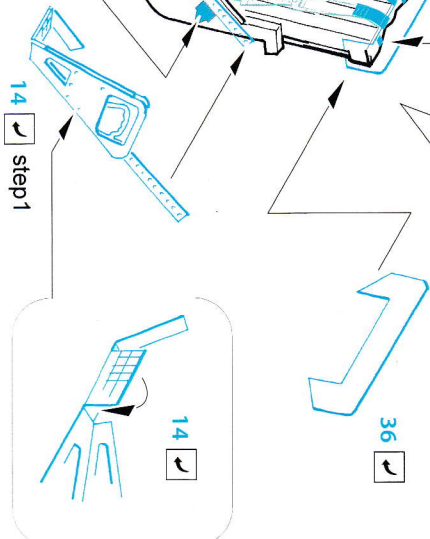
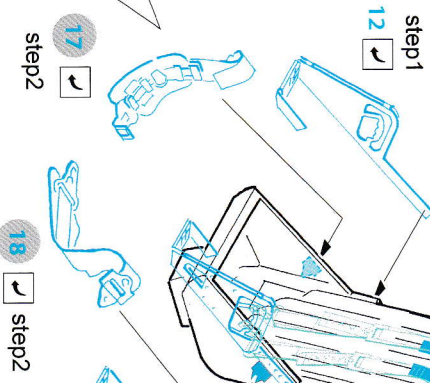
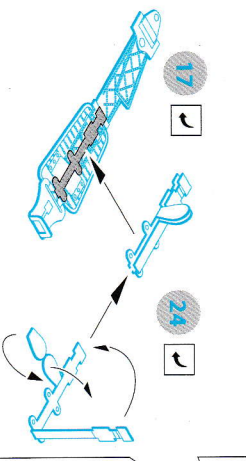
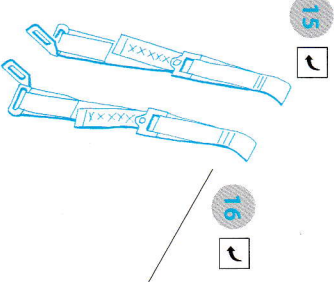
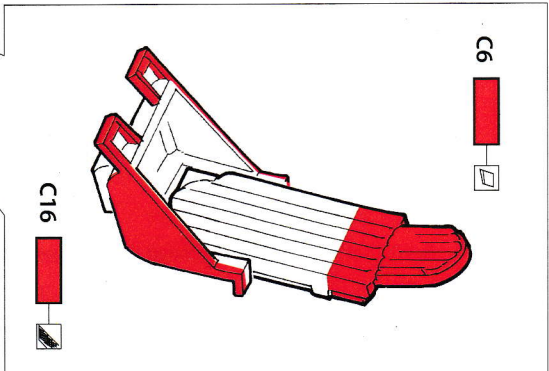
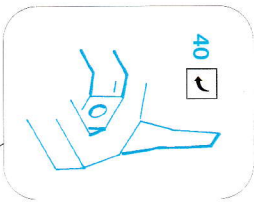
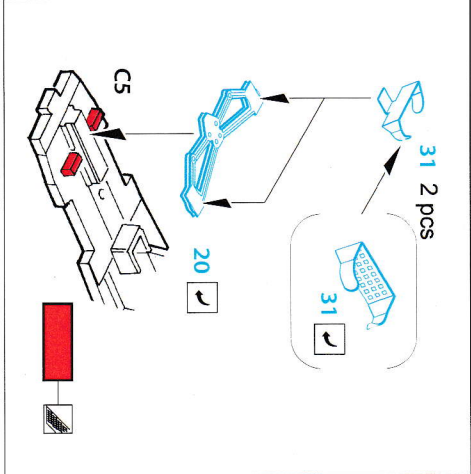
3D decals
-Namocz kalkomanie na kilka sekund w ciepłej wodzie i po oderwaniu od podkładu umieść ją na modelu.
-Aby zwiększyć przyczepność kalkomanii, użyj białego kleju Mr. Mark Setter lub natrzyj na blyszczącą powierzchnię.
-Pozostawienie kalkomanii w wodzie na zbyt długo może spowodować jej pęcznienie i zniekształcenie.

PE parts
-Do mocowania użyj kleju CA.



3D decals
- Tauchen Sie das Abziehbild einige Sekunden in das warme Wasser und positionieren Sie es nach dem Ablösen vom Trägerpapier auf dem Modell. -Um die Haftung des Aufklebers zu erhöhen, verwenden Sie den weißen Kleber Mr. Mark Setter oder tragen Sie ihn auf die glänzende Oberfläche auf.
-Wenn Sie den Aufkleber zu lange im Wasser lassen, kann er anschwellen und sich verziehen.
PE parts
- Zum Anbringen Cyanoakrylatkleber verwenden.





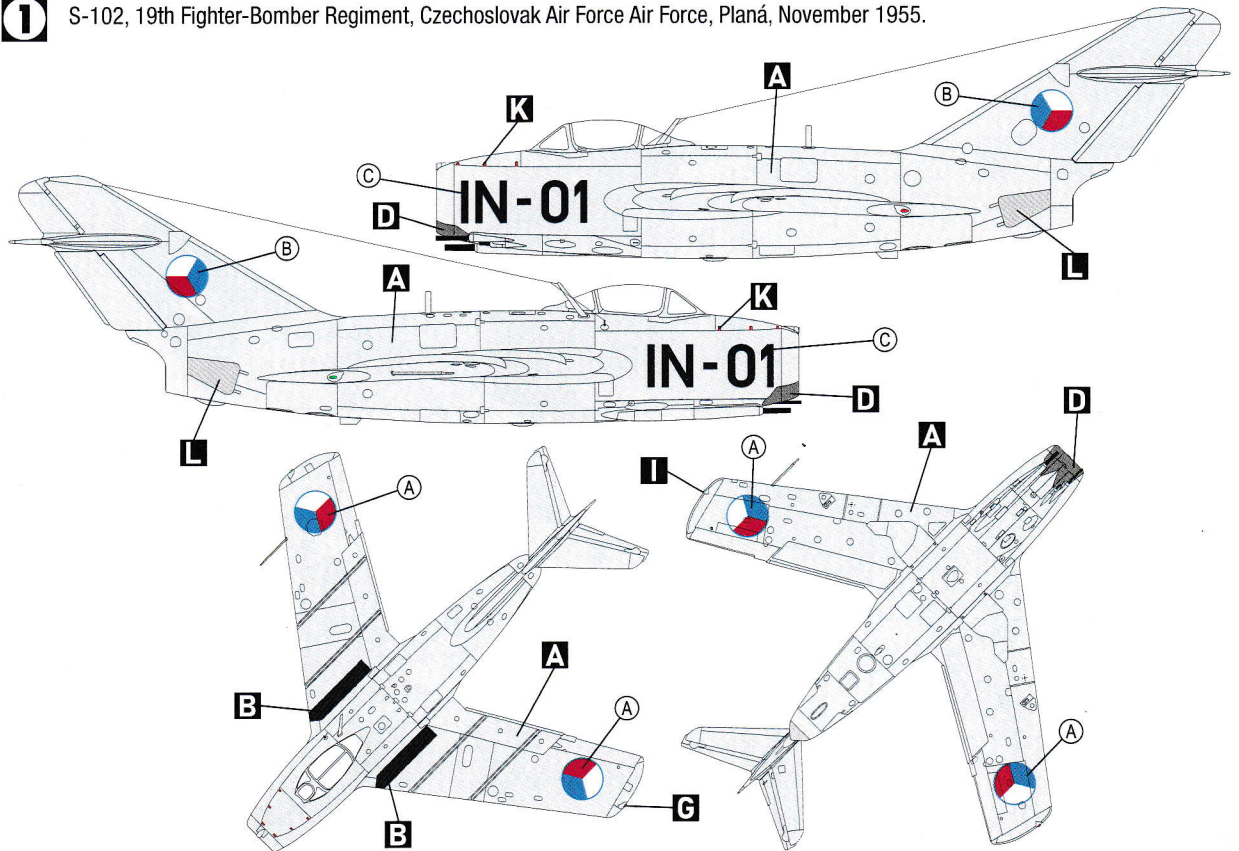


48005LE

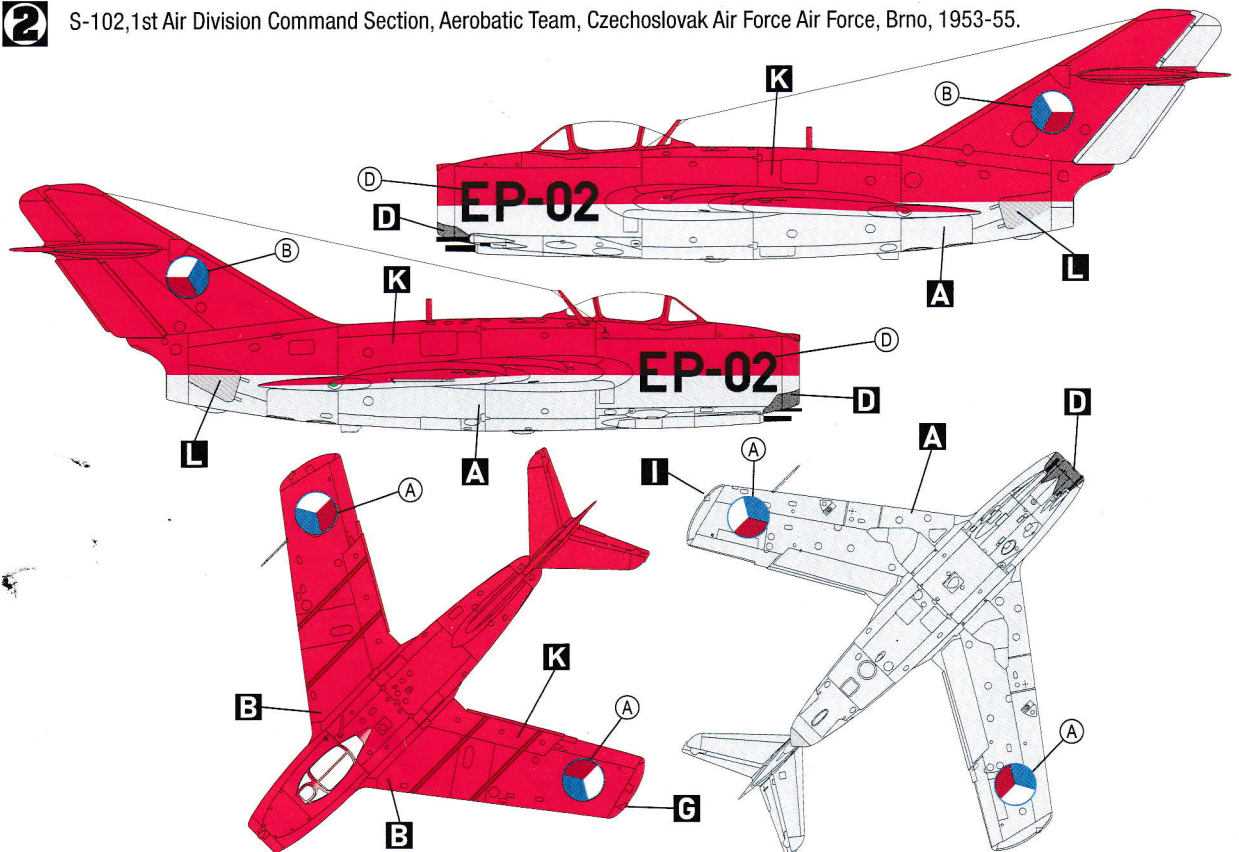
MIG-15 / LIM-1 / S-102 Limited Edition

Painting Manual

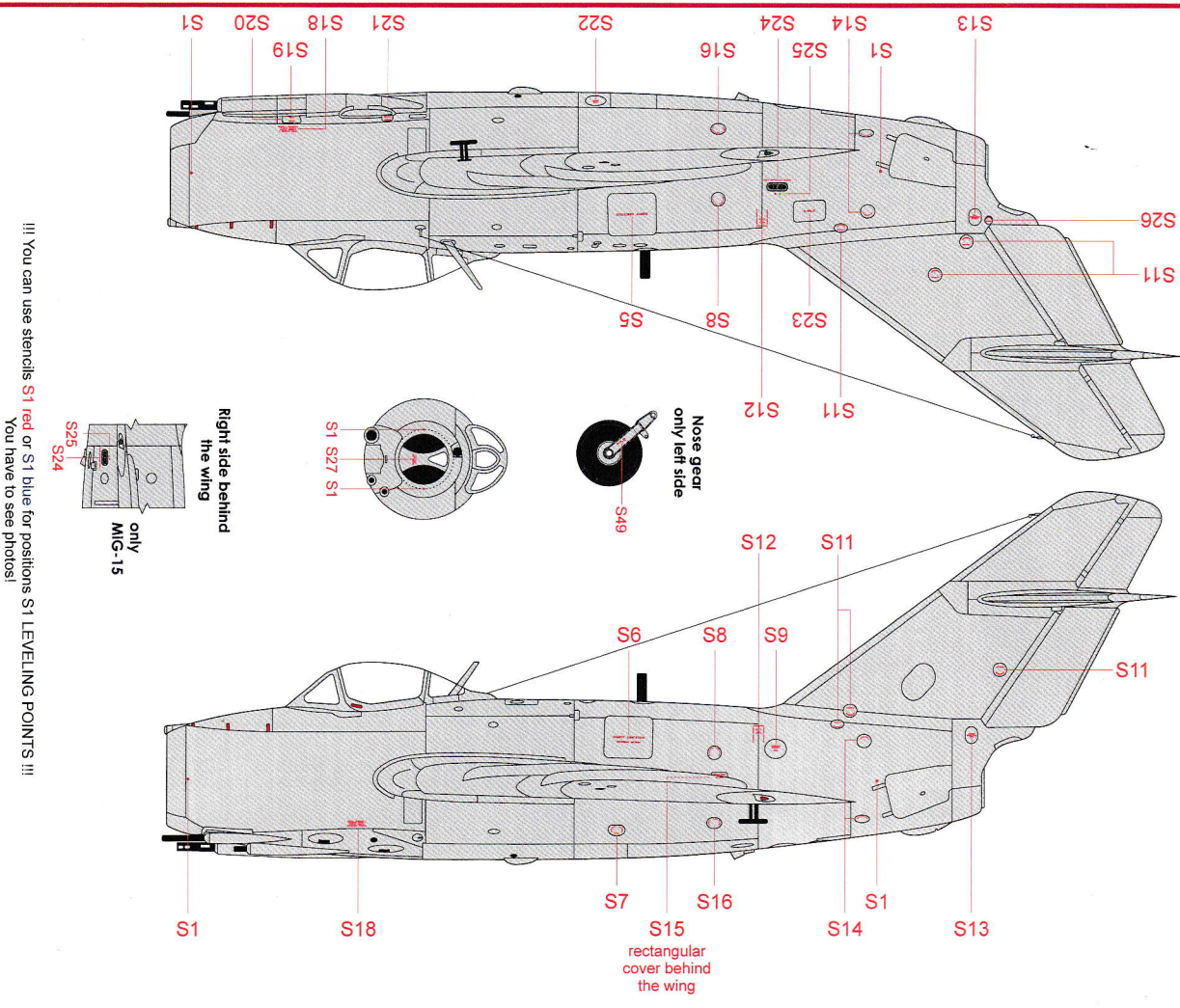
1 S-102, 19th Fighter-Bomber Regiment, Czechoslovak Air Force Air Force, Planá, November 1955.



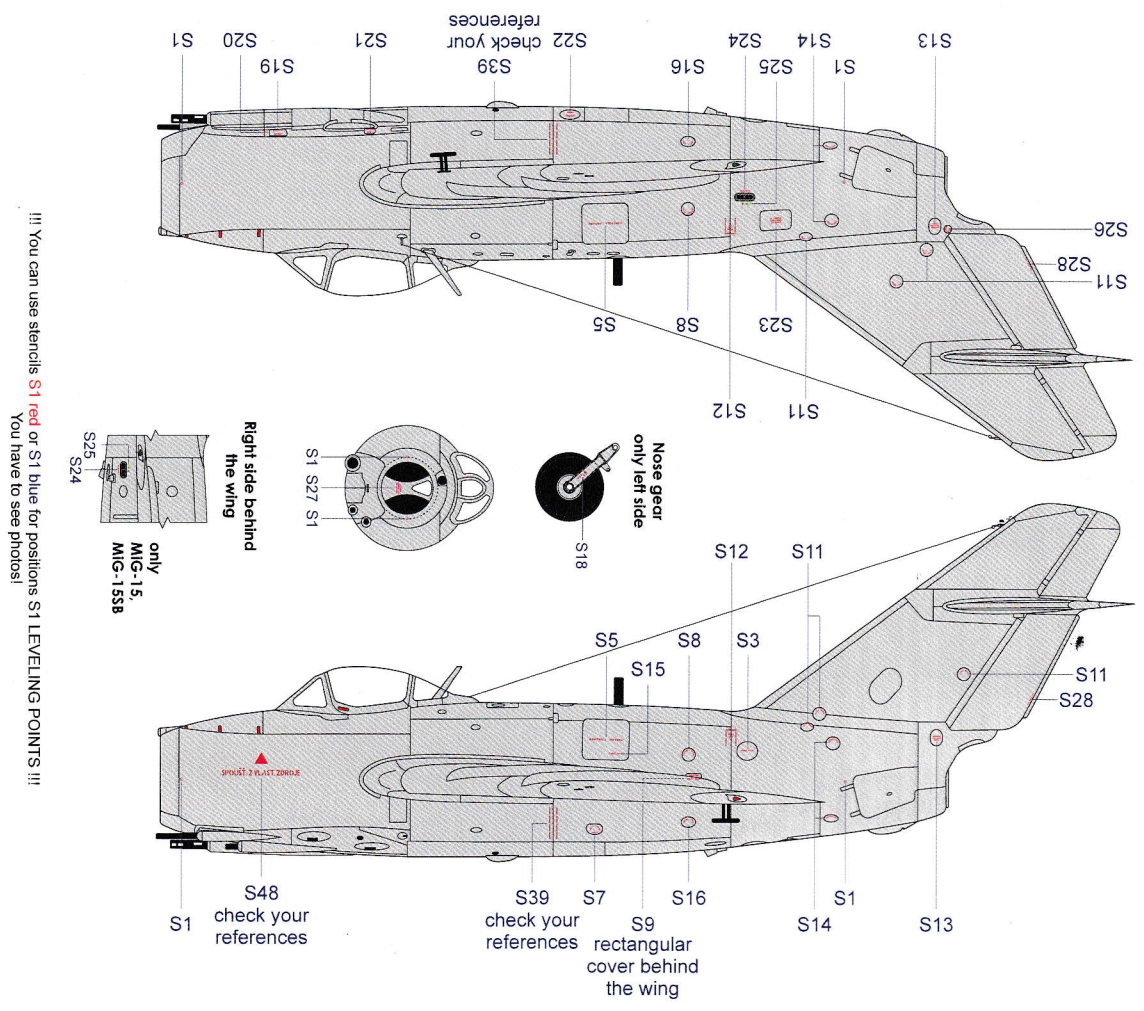
2 S-102, 1st Air Division Command Section, Aerobatic Team, Czechoslovak Air Force Air Force, Brno, 1953-55.



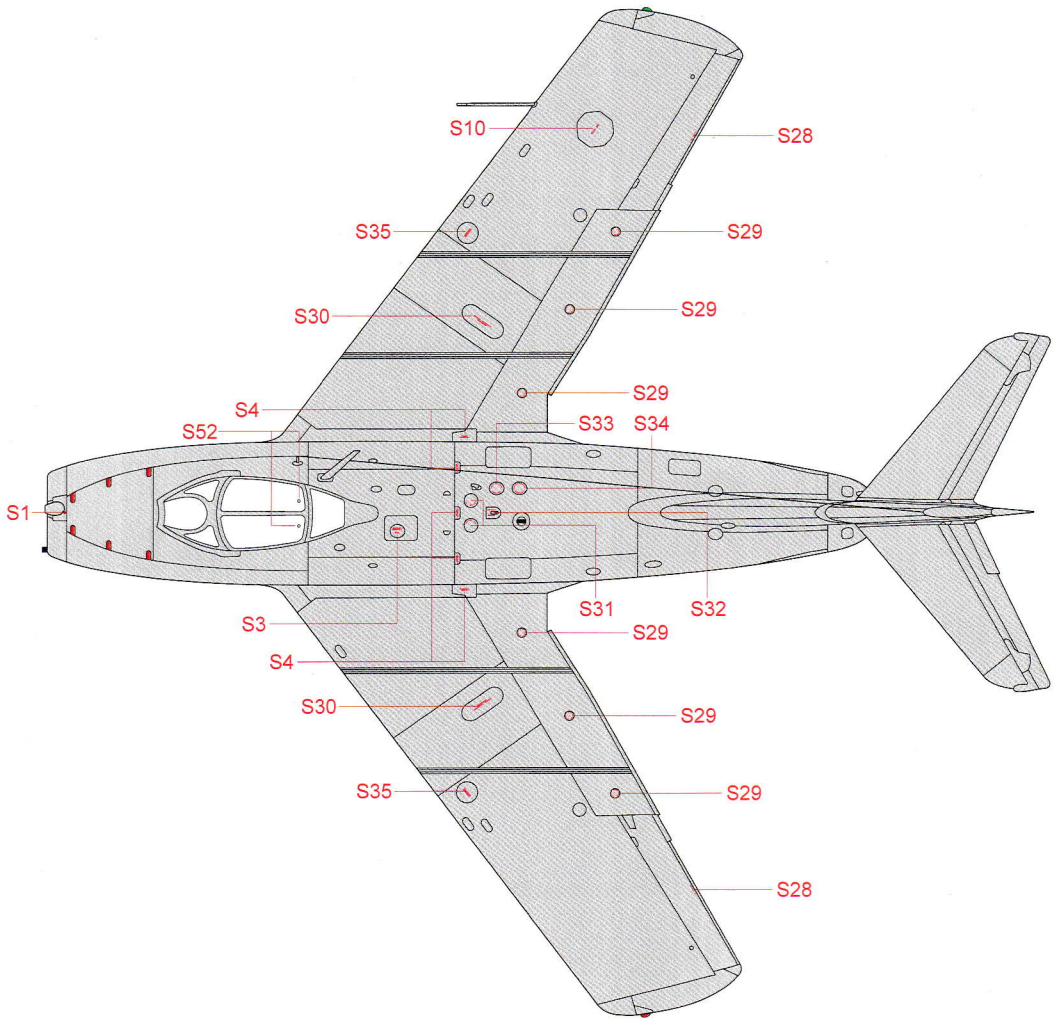
Russian stencils



Czech stencils



Russian stencils



Russian stencils

