

TIGER I Early Production

Sd.Kfz.181 Pz.Kpfw.VI Ausf.E

ドイツ軍 ティーガーI 初期生産型



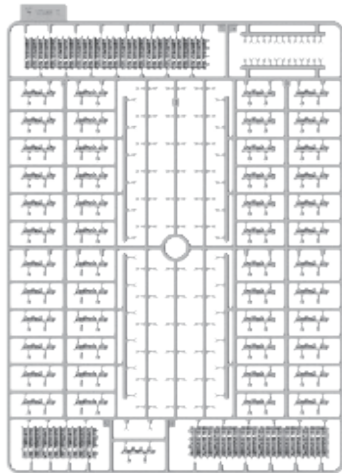
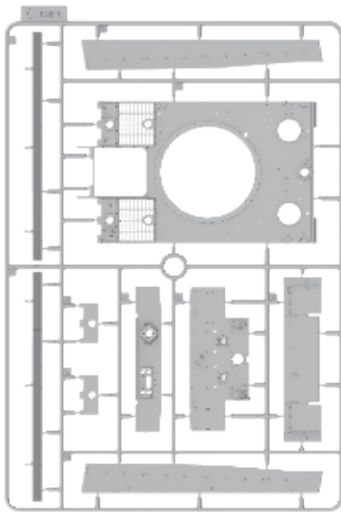
JASON

1/35
SCALE
BT-010

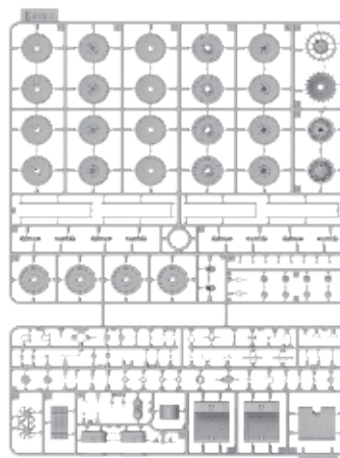
- ◆ PE PARTS INCLUDED.
- ◆ BARBED WIRE INCLUDED.
- ◆ CASMIRAS COVER FOR MUZZLE INCLUDED.
- ◆ METAL GUN BARREL & SMOKE LAUNCHERS INCLUDED.
- ◆ A WIDE VARIETY OF STORAGE BOXES, AMMUNITION BOXES, PACKAGES, HELMETS AND OTHER ACCESSORIES ARE INCLUDED.
- ◆ LINK & BUSH STYLE TRACKS INCLUDED EASY TO ASSEMBLE.

◆ READY TO ASSEMBLE PRE-COLOR MODEL KIT ◆ MODELING SKILLS HELPFUL IF UNDER 14 YEARS OF AGE ◆ MODEL MAY VARY FROM TRACE ON BOX ◆ CEMENT AND PAINT NOT INCLUDED

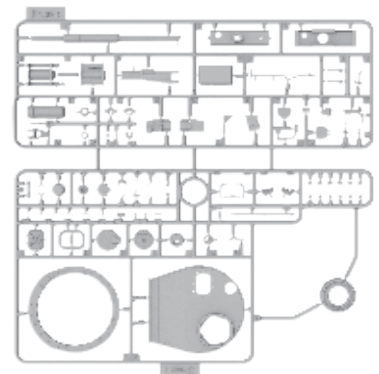
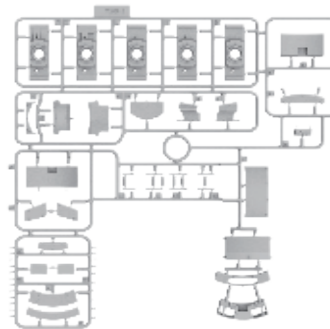
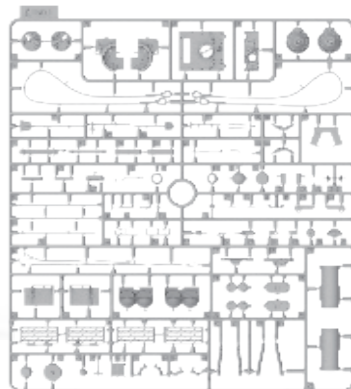
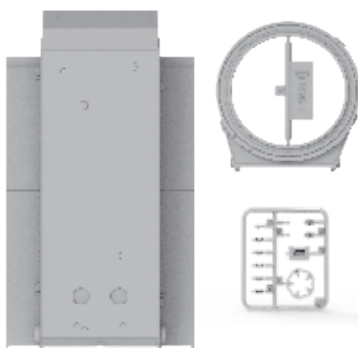
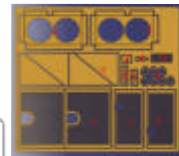
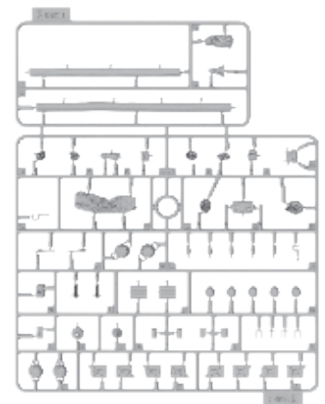
Battle of Ruesh



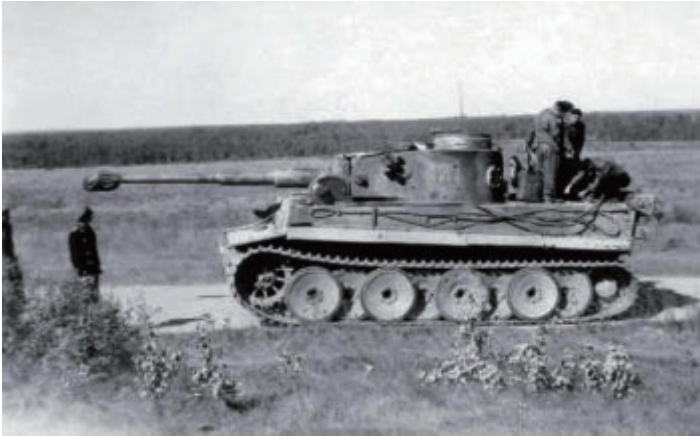
X2



X2



101	111	122	122	122
101	111	+	+	+
123	123	123	233	233
+	+			233
+323	323+			S02
+323+	++			S02
1311	1311	1311		S02
es...	4+	4+	4+	4+



History | 历史介绍

In the summer of 1943, with the Battle of Kursk looming, the German armored forces were concentrated in Army Group South, the main offensive corps on the southern front under Manstein's command. On July 3, 1943, the German armor was concentrated in Manstein's Southern Army Group, the main offensive corps on the southern front, while the Central Army Group, which served as the northern offensive corps, was short of troops, especially armor. Thirty-one Tigers of the 505th Heavy Armor Battalion, seven long-barreled No. 3Ns and eight short-barreled No. 3s, under the command of Major Schwandt, arrived on the north side of the Kursk Bulge and the 505th Battalion was assigned to the 9th Army Group under the command of General Modell and awaited the arrival of the Tigers. This unit was to be its first in combat. The entire Kursk battlefield had already brought together 182 of the then 310 German Tigers.

The battle was fierce on the first day of the battle, and Modell ordered the newly-arrived, breathless 505th Battalion to reinforce the 6th Infantry Division and immediately engage the western flank of Orekhovotka. The appearance of the 505th Battalion shocked the Soviets, not only helping the Germans to break through the 15th Infantry Division's defenses, but also posing a threat to the entire right flank of the 70th Red Army Group. At dawn the next day, two Red Army tank armies launched a massive counter-attack, but were cut off by their own minefields, leaving the battlefield at a stalemate. 505th Panzer Battalion actually arrived with only 16 Tiger tanks, the equivalent of only one tank. The 505th Battalion defeated the Red Army's first two battalions, the 88mm gun at a distance of about 1500 meters, and the 39 armor-piercing rounds easily exploded the T-34's turret or frontal armor. The Front Tank Brigade, destroyed 42 tanks of the 107th Tank Brigade, 15 of which were hardy KV-1 heavy tanks. This was followed by the Soviet 164th Tank Brigade, which lost half of its tanks. In the fierce firefight, all of the 505th Battalion's tanks were destroyed by the Soviets' Anti-tank fire hit several times, but the T-34's 76.2mm gun did not effectively penetrate the Tiger's front armor until 400 meters away, resulting in only one Tiger being lost in the 505th Battalion.

The Reds' counterattack was repulsed, but their carefully deployed anti-tank gun emplacements and minefields made it difficult for a single battalion of the 505th Armored Battalion to break through. Even though Modell continued to commit troops, the entire offensive remained unchanged. The Red Army continued to commit reserve troops to counterattacks from time to time, and the battle was already heating up. On July 10, with the addition of three Tigers, the 505th Heavy Armored Battalion still had a substantial strength of 26 Tigers and 10 No. 3 tanks, and on July 15, the battalion was flanked by the Red Army in a counterattack near Velts Taglow. In response, Major Schwandt sent two Tigers to stop the attack. In just one hour, these two tanks destroyed 32 T-34s without a single scratch, making the Tiger an unbeatable monster for the Soviet armored forces.

A Red Army tank commander wrote in his report, "I attacked an MK-6 tank ("Tiger") at a distance of 400 yards. I fired 8-10 shots at its flanks and turret with armor-piercing rounds, and each hit was bounced off. The Tiger destroyed the tanks on both of my flanks and left the battlefield. The 505th Heavy Battalion lost only four tanks during the days of the Battle of Kursk. However, compared to the 505th's successes on the Northern Front, the Tiger's successes on the Southern Front were not as impressive. Underestimating the depth of the Soviet defensive positions, Manstein lost nine of the 503rd's Tigers to Soviet mines and anti-tank guns, and by July 8 the battalion had lost 34 of its tanks. The Soviets recovered most of the Tiger wrecks, and with the Tiger abandoned for lack of fuel, mechanical failure, or road blockage, the Red Army had accumulated a considerable number of German heavy tanks, which the Soviet military-industrial complex would soon give the Germans a taste of their own medicine.

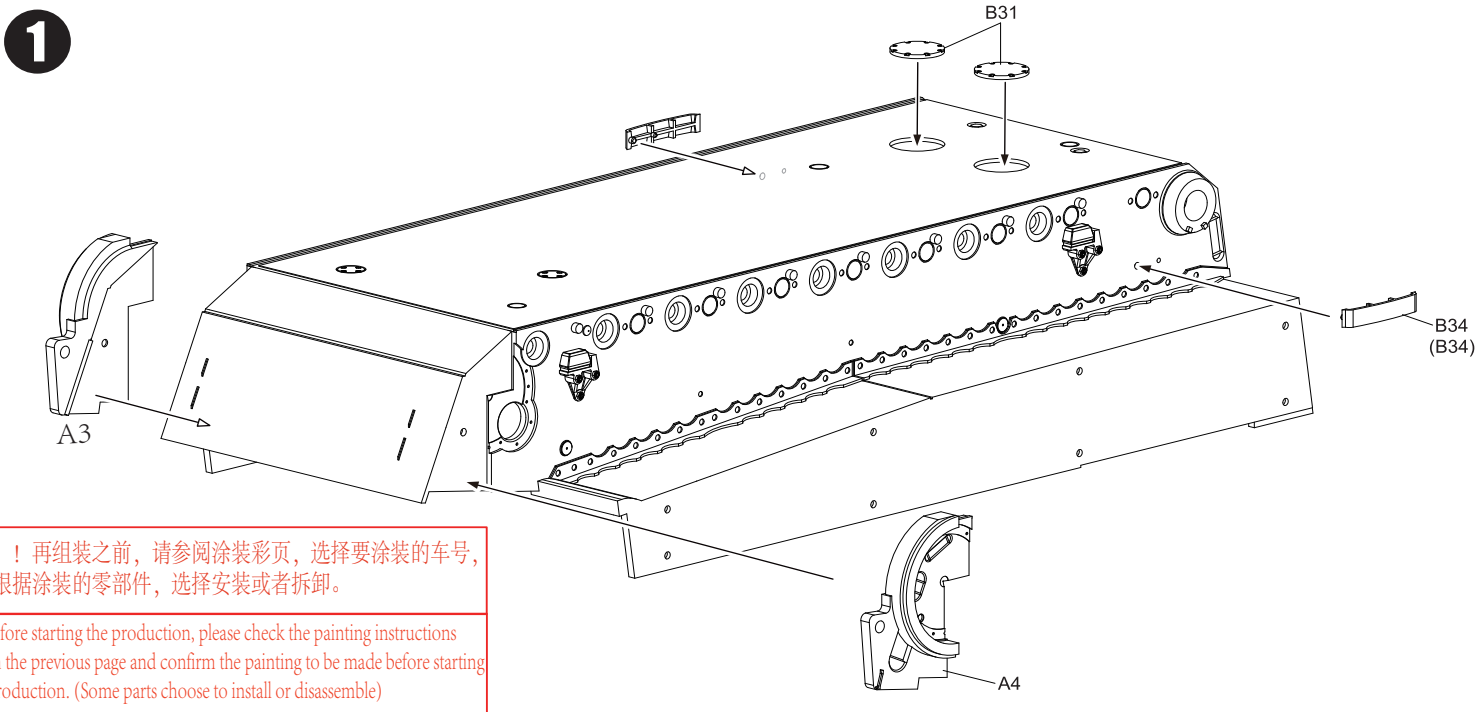
1943年夏，库尔斯克会战在即，德军装甲力量云集在曼施坦因指挥的南线主攻兵团——南方集团军群。而担任北路进攻的中央集团军群则兵力不足，尤其缺少装甲力量。7月3日，第505重装甲营的31辆“虎”式，7辆长炮管3号N型，8辆短管3号坦克，在施旺特少校的指挥下抵达了库尔斯克突出部北侧，505营被配属到莫德尔大将指挥的第9集团军麾下，等待这支部队的将是其第一次实战。而整个库尔斯克战场上已经汇集了当时德军310辆老虎中的182辆。

战役第一天的战斗就非常激烈，莫德尔命令刚刚抵达、喘息未定的505营加强给第6步兵师，立即投入到奥里霍瓦特卡西面的战斗。505营相当部分的坦克还在运输卸载途中，初次参战就建制不整，还是一场硬仗，而这，就是东线的特色！505营的出现震慑了苏军，不仅帮助德军突破了第15步兵师的防线，而且对红军第70集团军的整个右翼都构成了很大威胁。

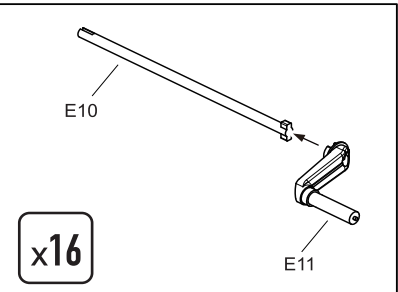
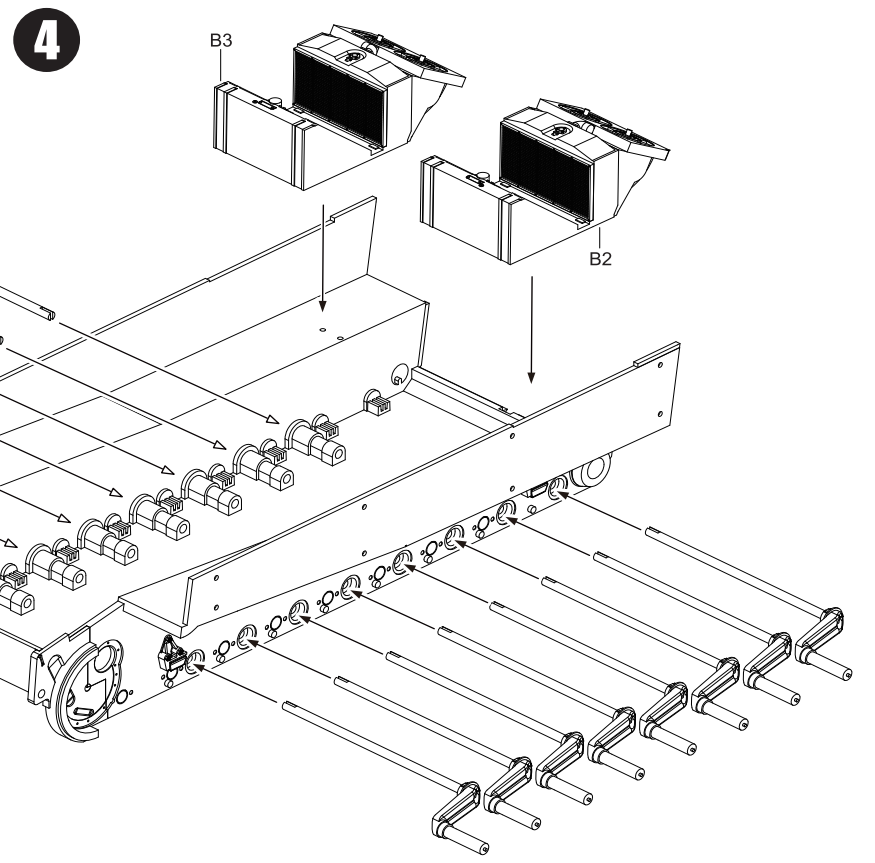
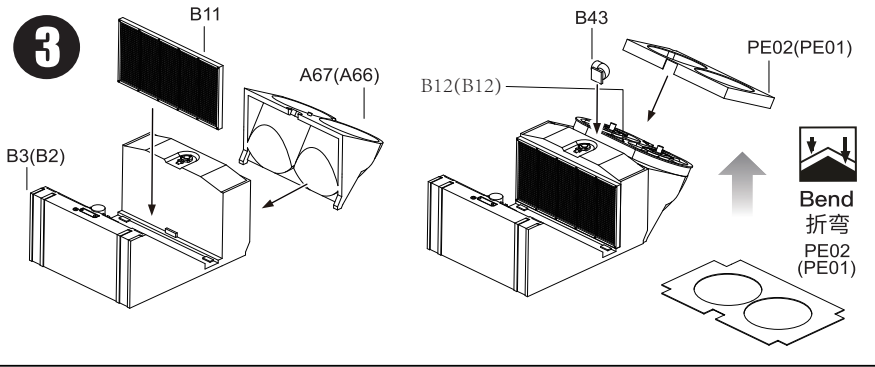
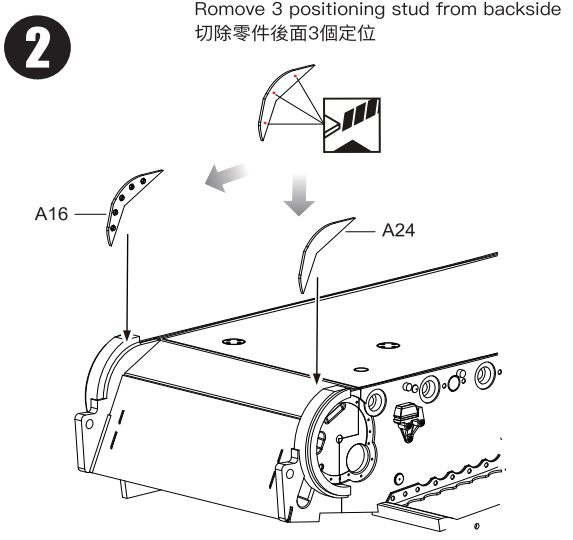
第二天黎明，两个红军坦克军发起了大规模逆袭，但却被自己埋设的雷场给阻截了一半的兵力，战场境况趋于胶着。505装甲营真正抵达的只有16辆“虎”式坦克，仅相当于一个半连的兵力，施旺特少校将坦克排成楔型战斗队形，88毫米炮在1500米左右距离就远程发炮了，39型穿甲弹很轻松地打爆了T-34的炮塔或正面装甲。505营先后击溃了红军两个先锋坦克旅，摧毁了第107坦克旅的42辆坦克，其中有15辆是很难缠的KV-1重型坦克。随后跟进的苏军第164坦克旅的坦克也有一半战损。在激烈的交火中，505营所有坦克都被苏军的反坦克炮火多次击中，但T-34的76.2毫米炮却要400米以内才能有效击穿“虎”式的前装甲，因而505营只有一辆“虎”式战损。

红军的反攻虽然被打退，但他们精心部署了大量的反坦克炮阵地和雷场，仅靠505装甲营一个营级单位的神勇是难以完成突破的。莫德尔即使不断地投入兵力，但整个进攻仍寸步不前，红军源源不断地投入后备兵力不时发起反击，战斗已经白热化。施旺特少校派出两辆“虎”式进行阻击。在短短的一个小时之内，这两辆坦克就摧毁了32辆T-34，而自身毫发未伤，对于当时的苏军装甲力量而言，“虎”式坦克简直就是一个无法战胜的怪兽。

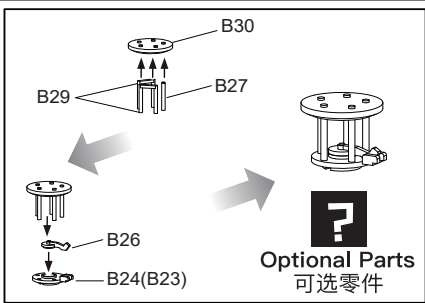
一位红军坦克车长在他的报告中写道，“我在400码的距离上攻击一辆MK-6坦克（“虎”式）。我使用穿甲弹对准它的侧面和炮塔开了8-10炮，每一次命中都被反弹了。这辆“虎”式坦克在摧毁我两翼的坦克后撤离战场。”第505重装甲营在库尔斯克会战的这几天里只损失了4辆坦克。不过与505营在北线取得的辉煌战绩相比，“虎”式在南线进攻中却差强人意。曼施坦因对苏军大纵深的防御阵地估计不足，第503营的一个“虎”式坦克连盲目冒进，有9辆被苏军地雷和反坦克炮所摧毁，战损率高得惊人，到7月8日该营已有34辆坦克失去了战斗力。那些贴身敌阵的“虎”式残骸大都将被苏联人回收，再加上因缺油无法行驶，或机械故障，或道路堵塞而放弃的老虎，红军手里已经积攒了相当可观的德国重型坦克，苏联军工部门对这些坦克的研究将很快让德国人尝到苦头。



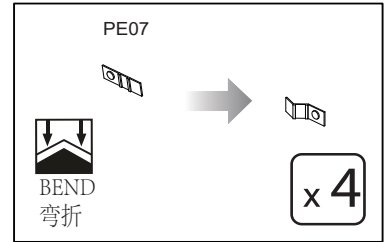
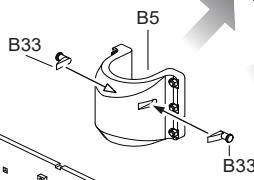
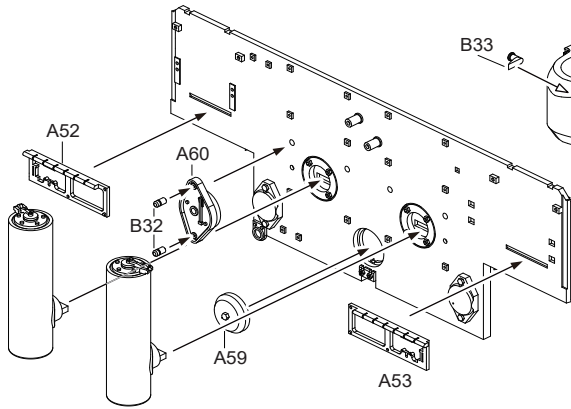
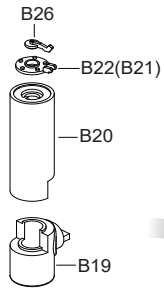
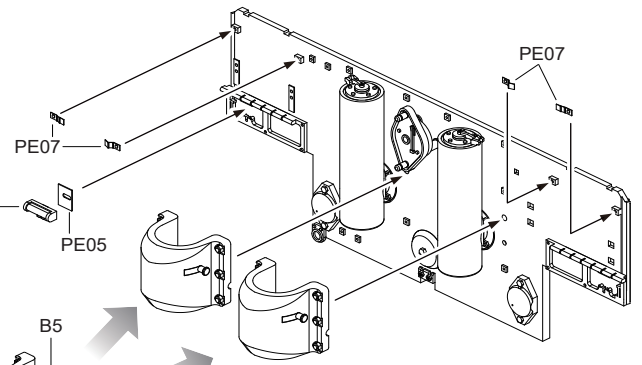
!! 再组装之前, 请参阅涂装彩页, 选择要涂装的车号, 根据涂装的零部件, 选择安装或者拆卸。
 Before starting the production, please check the painting instructions on the previous page and confirm the painting to be made before starting production. (Some parts choose to install or disassemble)



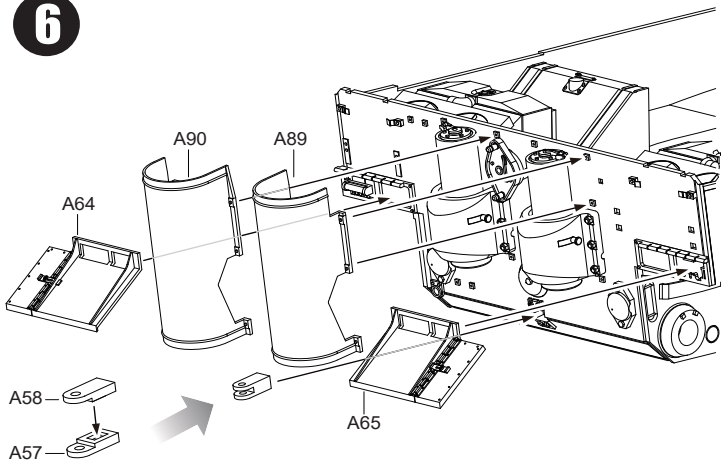
5



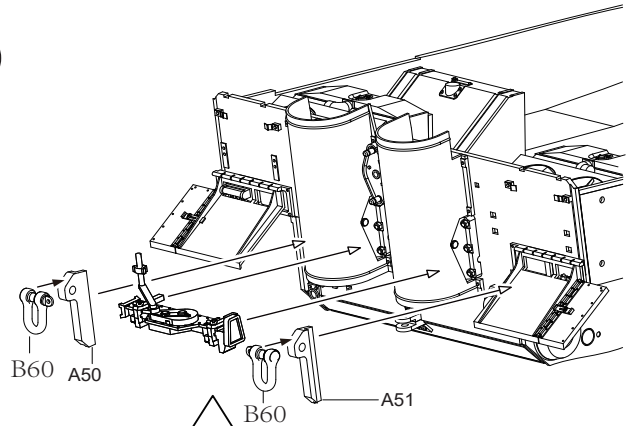
G6是透明件
G6 Transparent parts



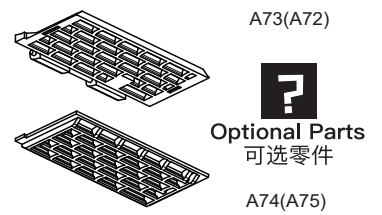
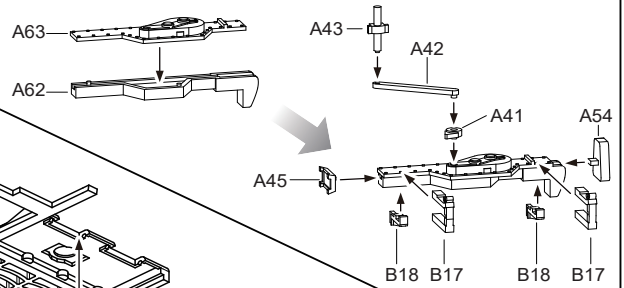
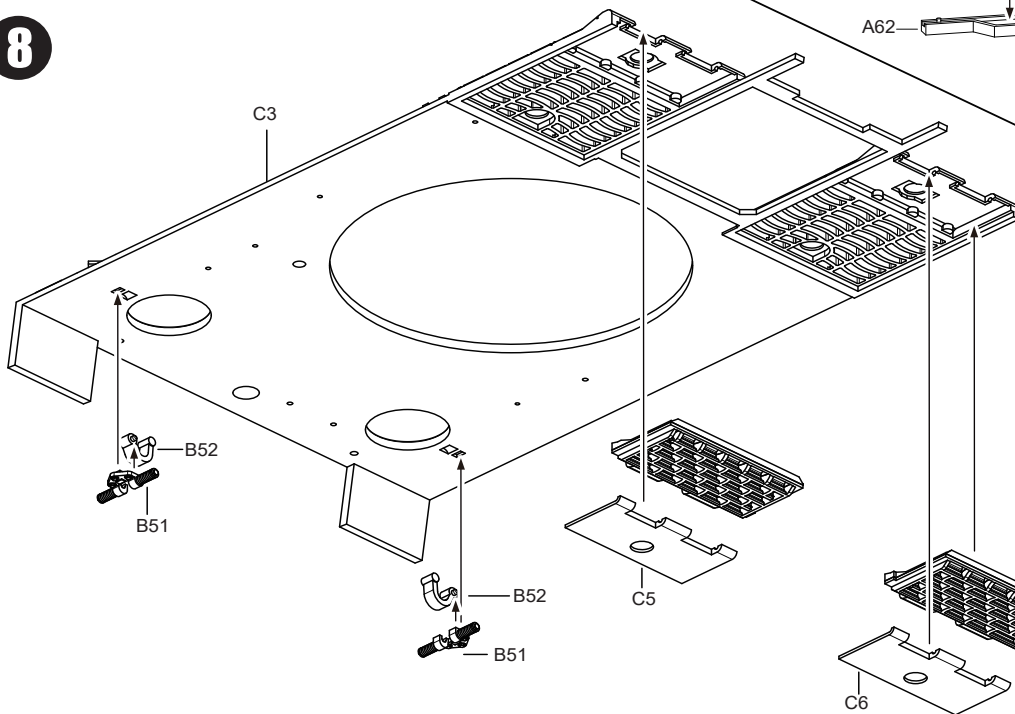
6



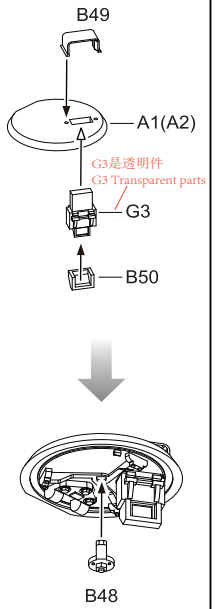
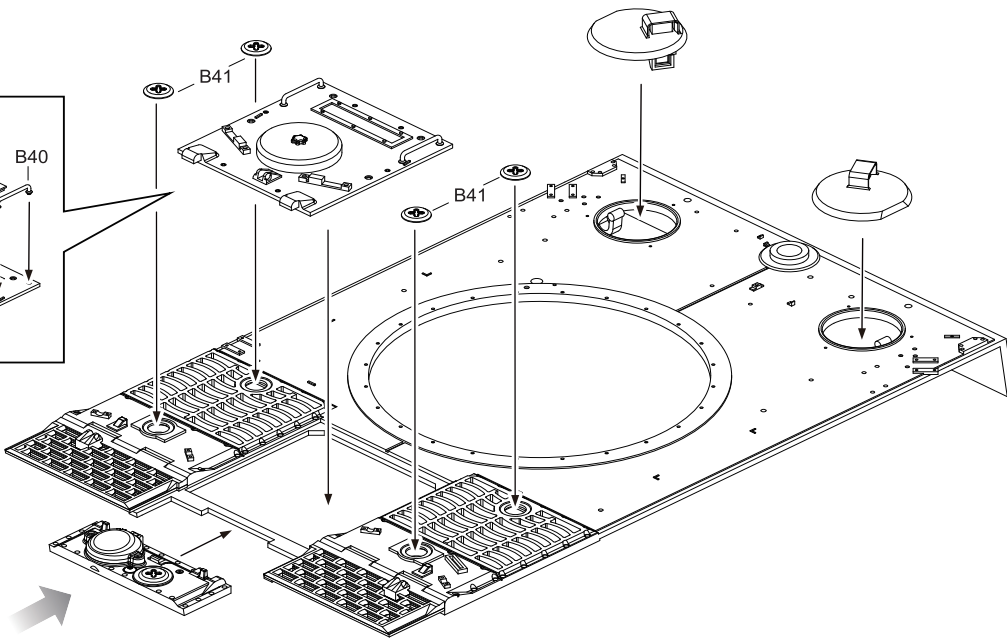
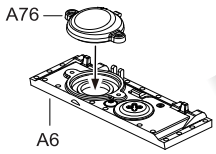
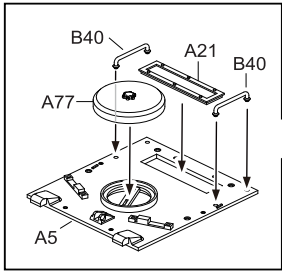
7



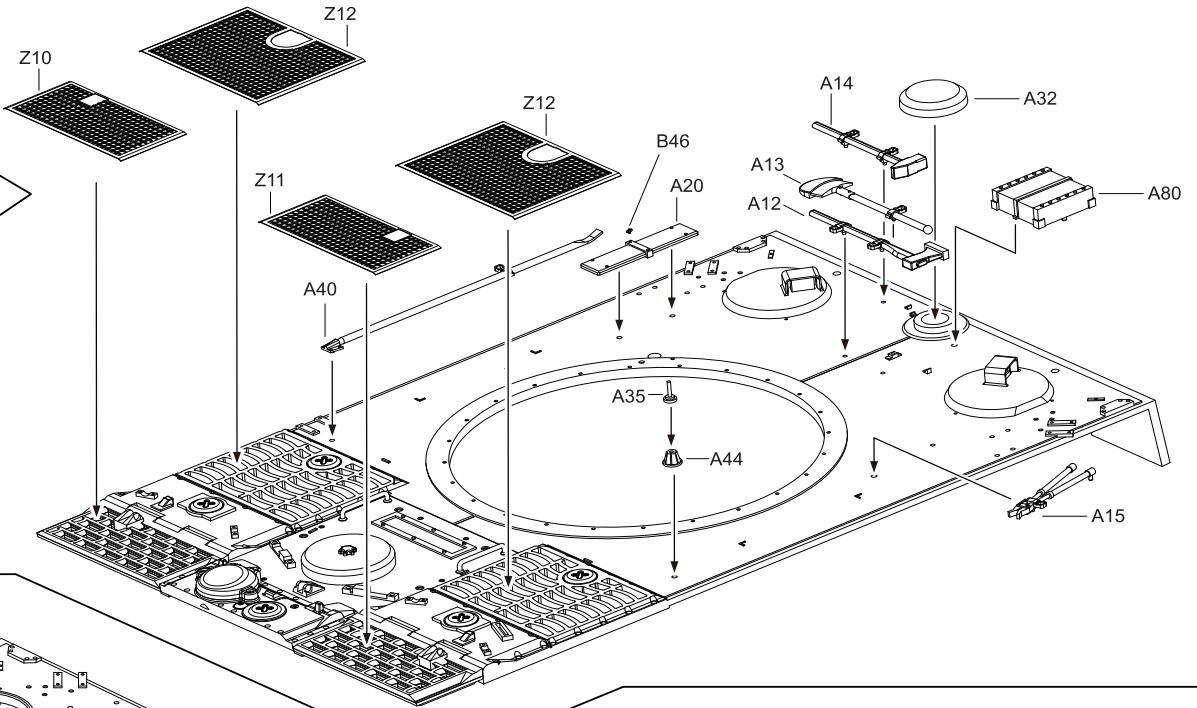
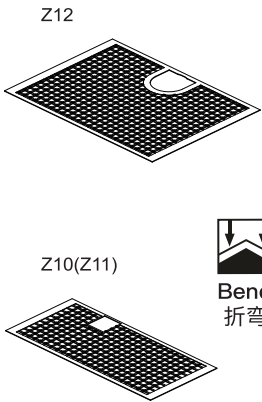
8



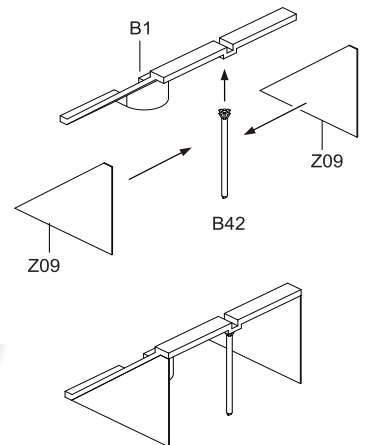
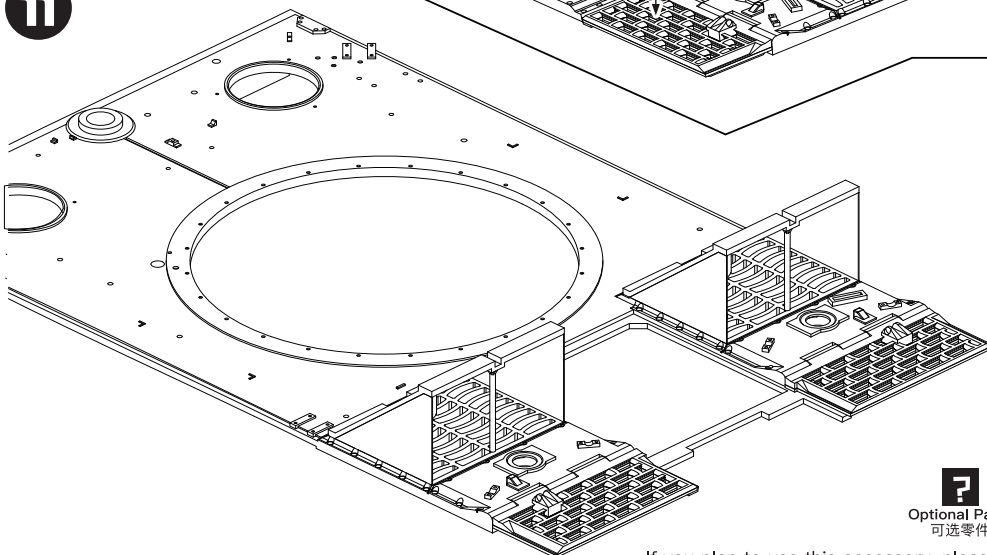
9



10



11

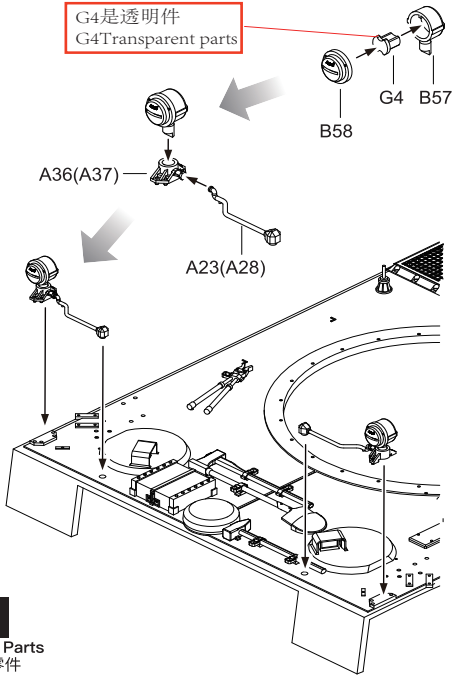


?
Optional Parts
可选零件

If you plan to use this accessory, please do not install the Z012 and the turret outside toolbox.
如果打算使用這個配件，請不要裝Z012和砲塔外工具箱。

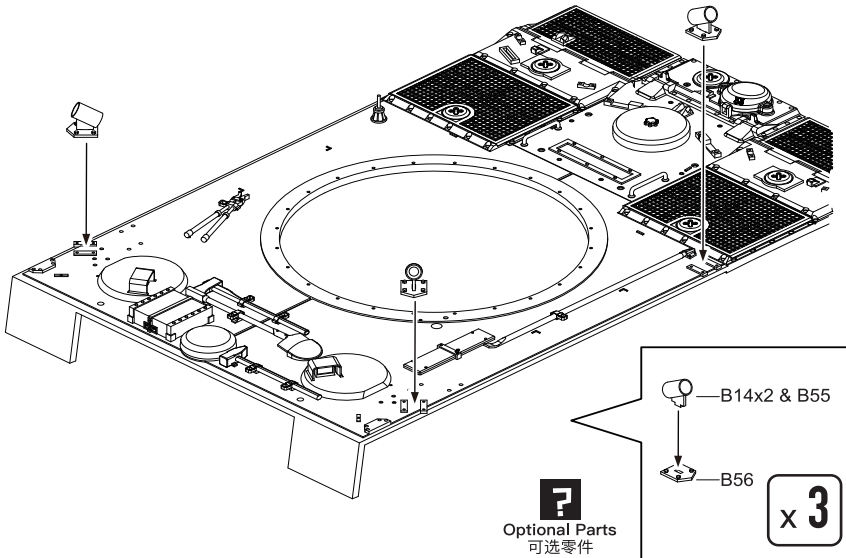
12

G4是透明件
G4 Transparent parts



Optional Parts
可选零件

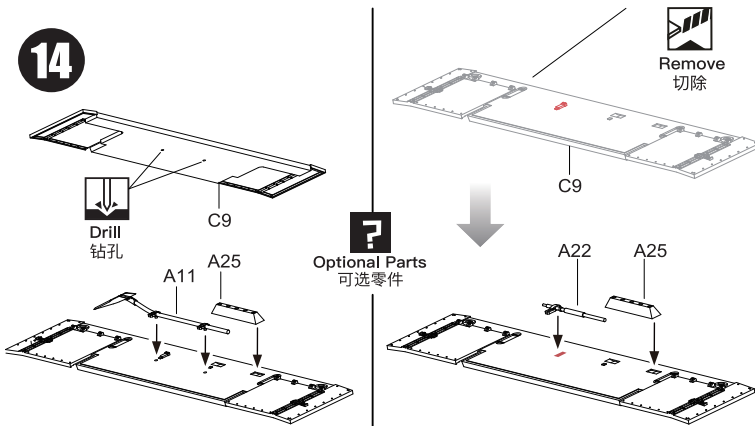
13



Optional Parts
可选零件

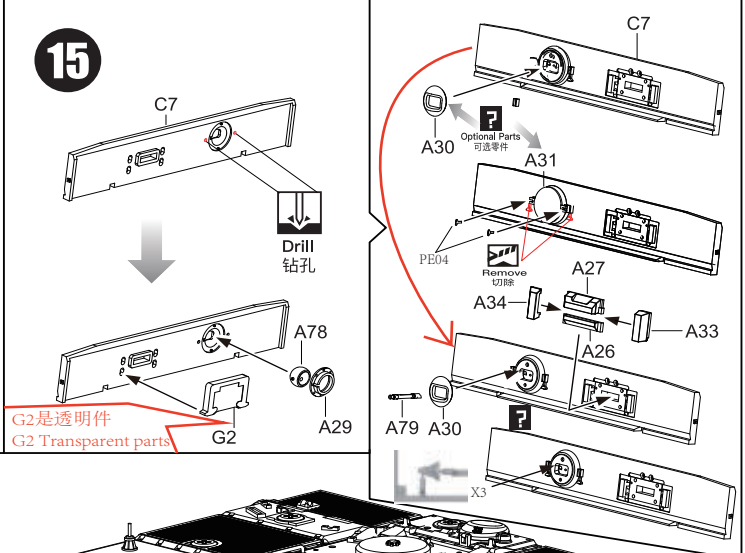
x 3

14



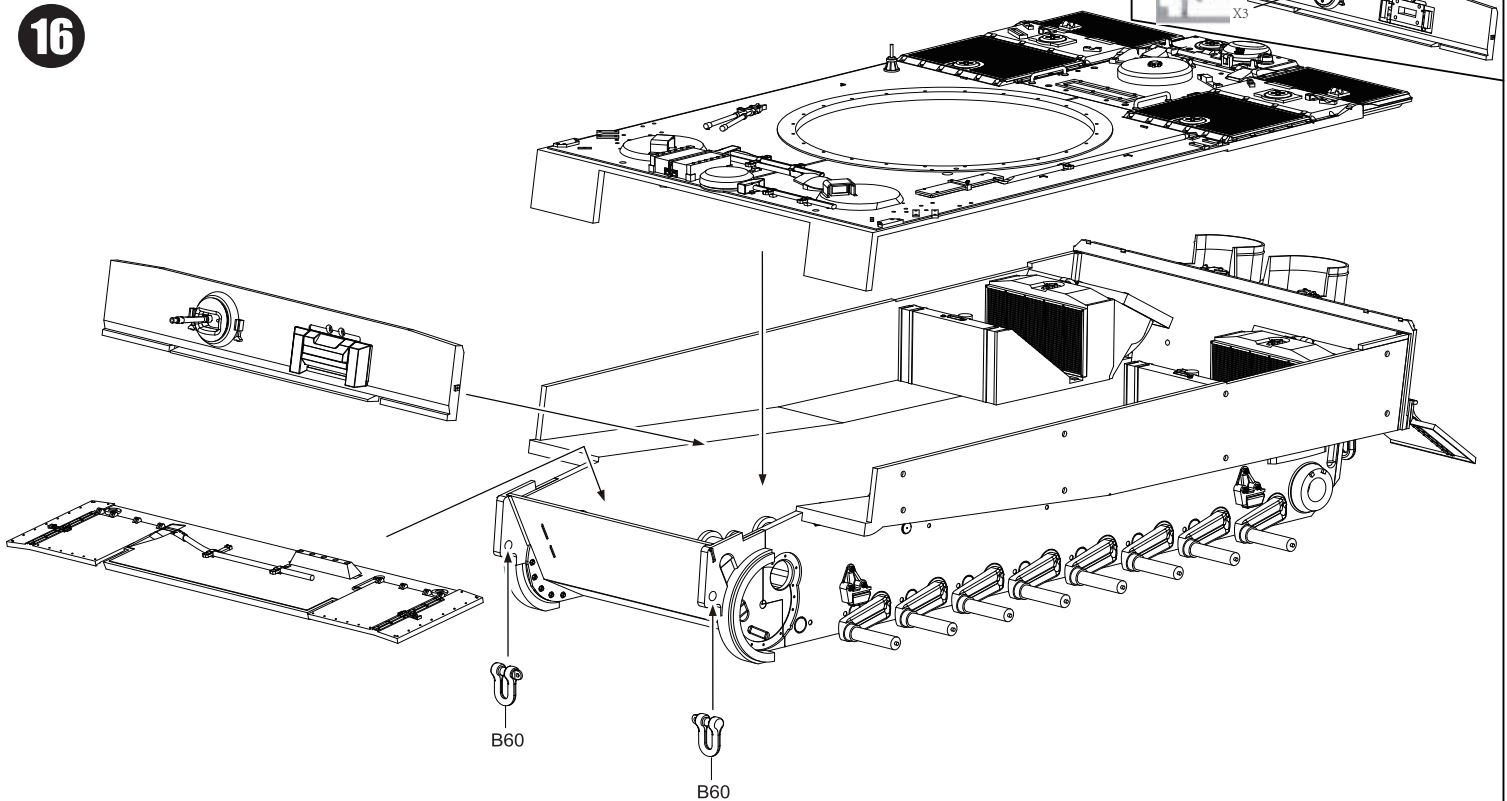
Optional Parts
可选零件

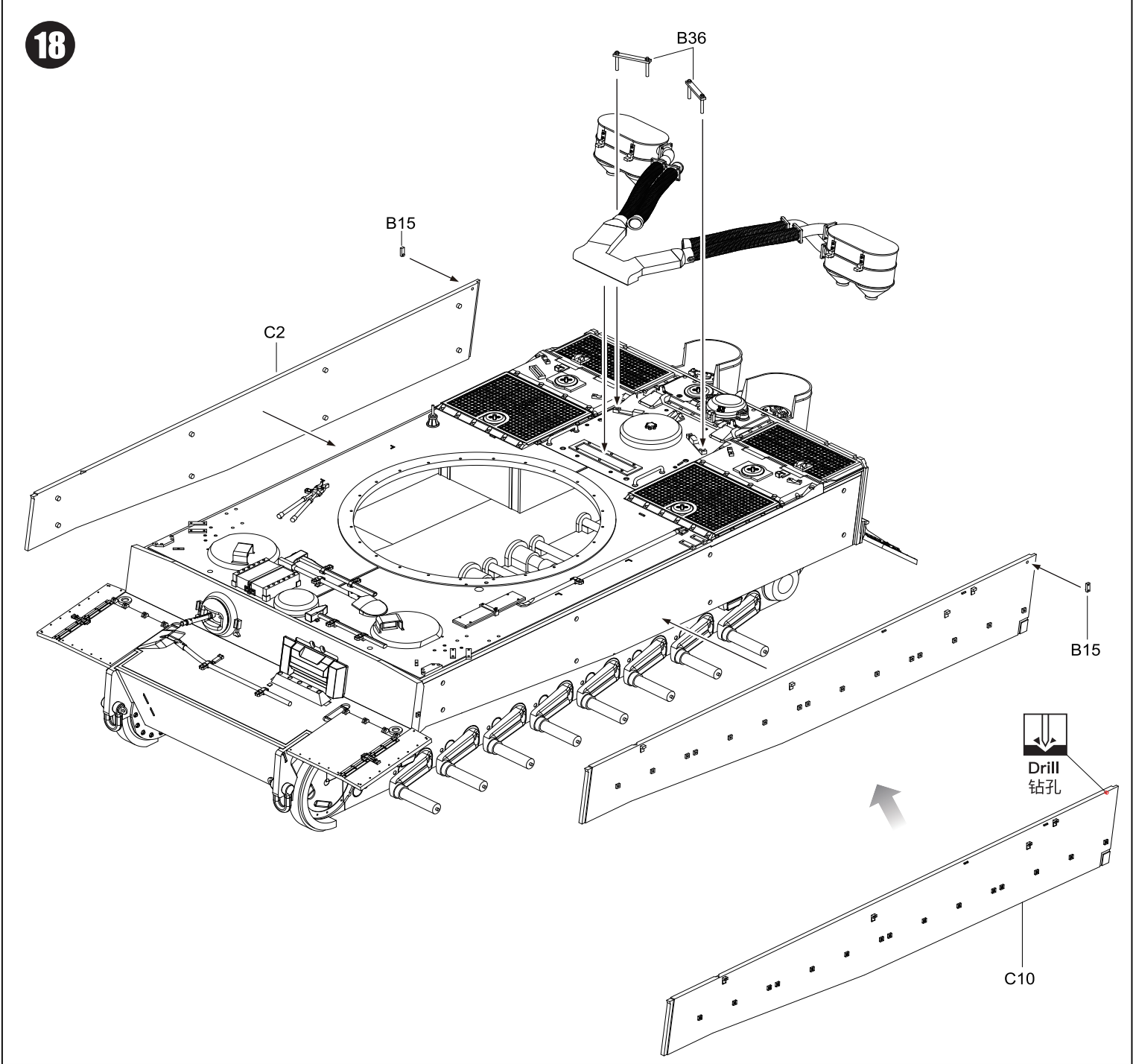
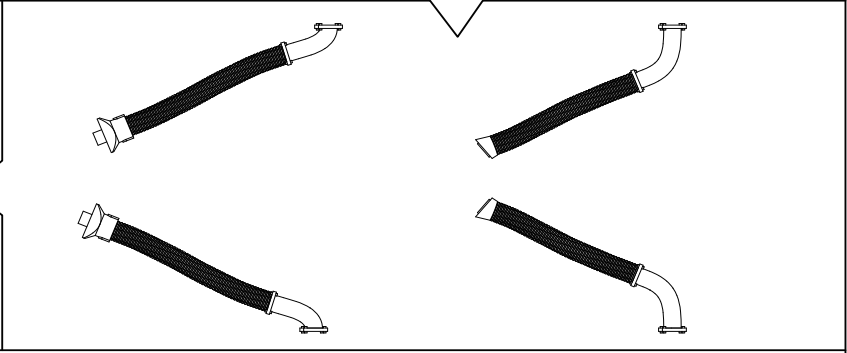
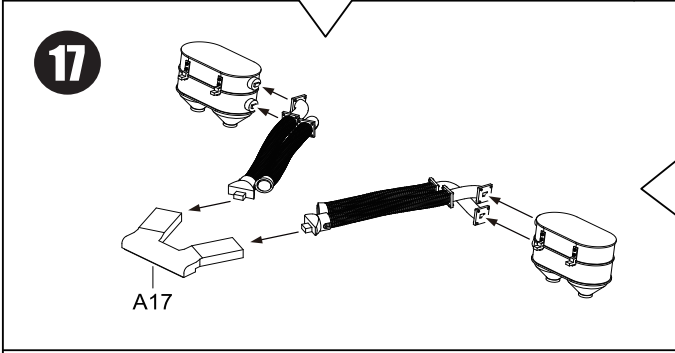
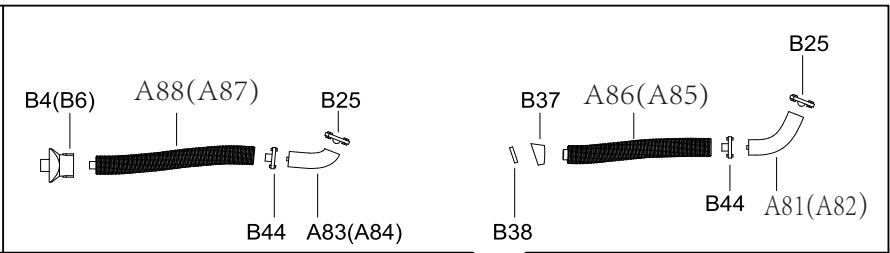
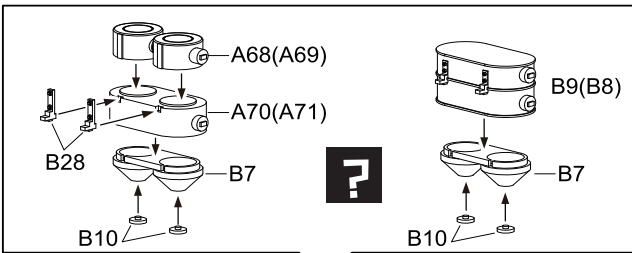
15



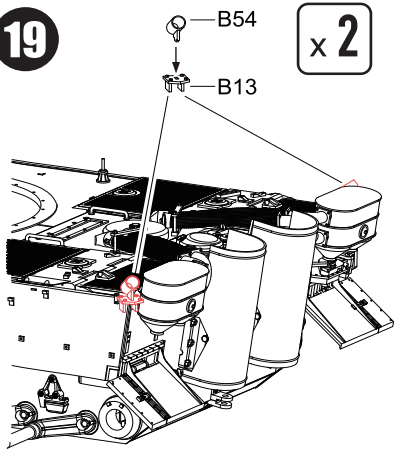
G2是透明件
G2 Transparent parts

16





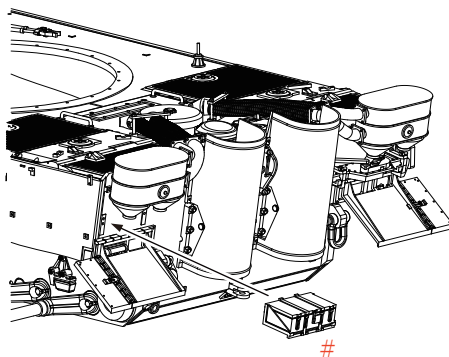
19



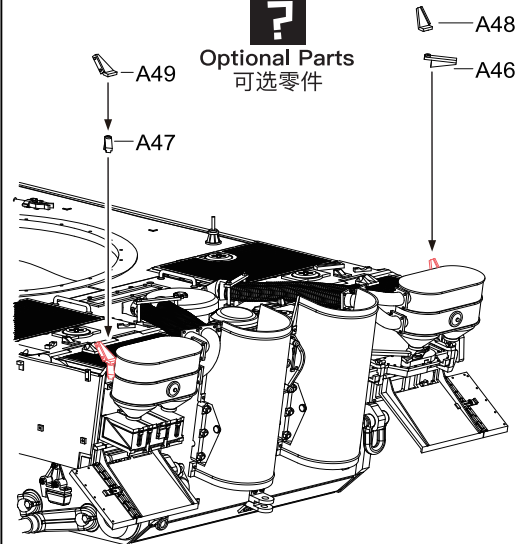
x 2



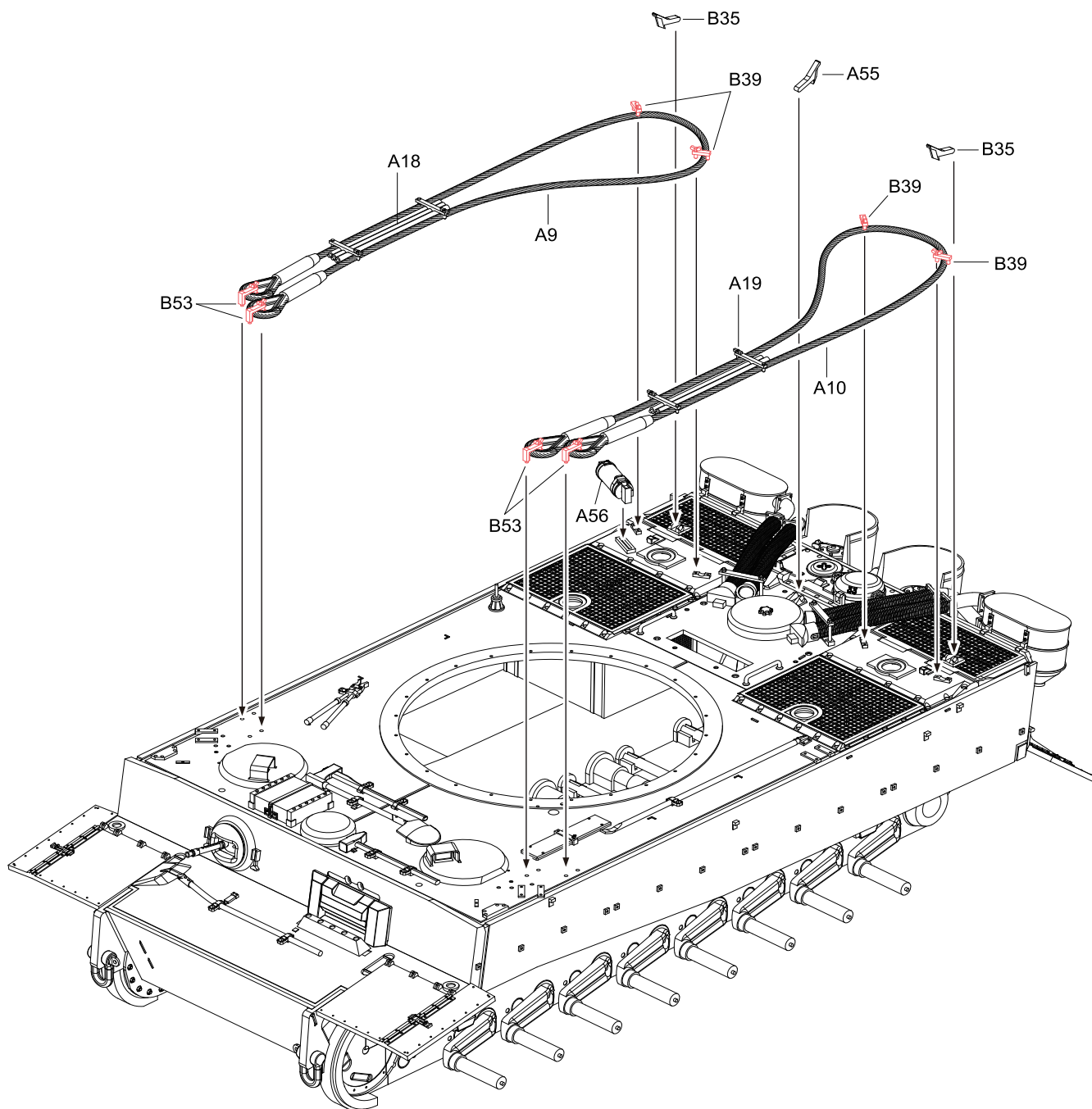
Optional Parts
可选零件



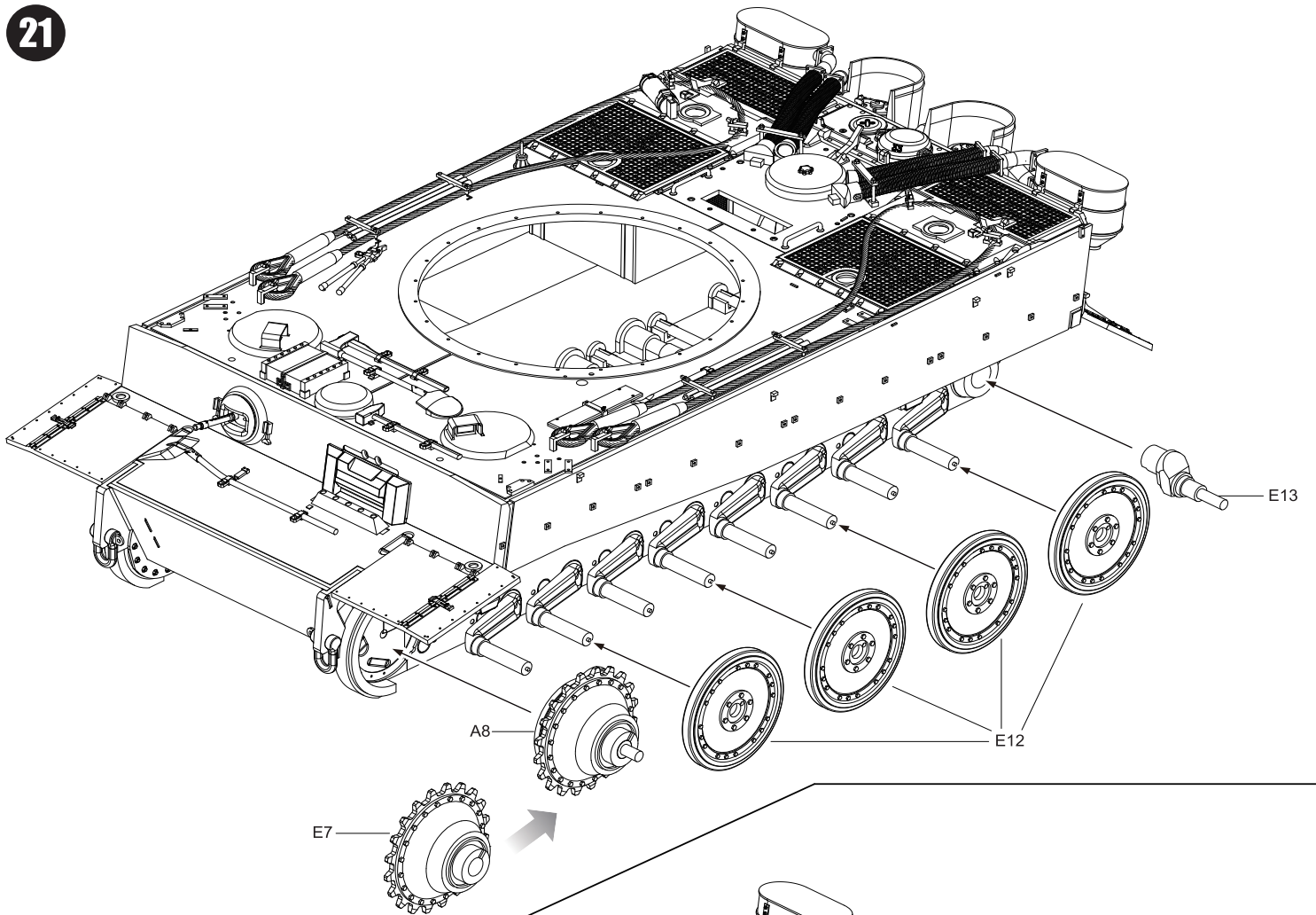
Optional Parts
可选零件



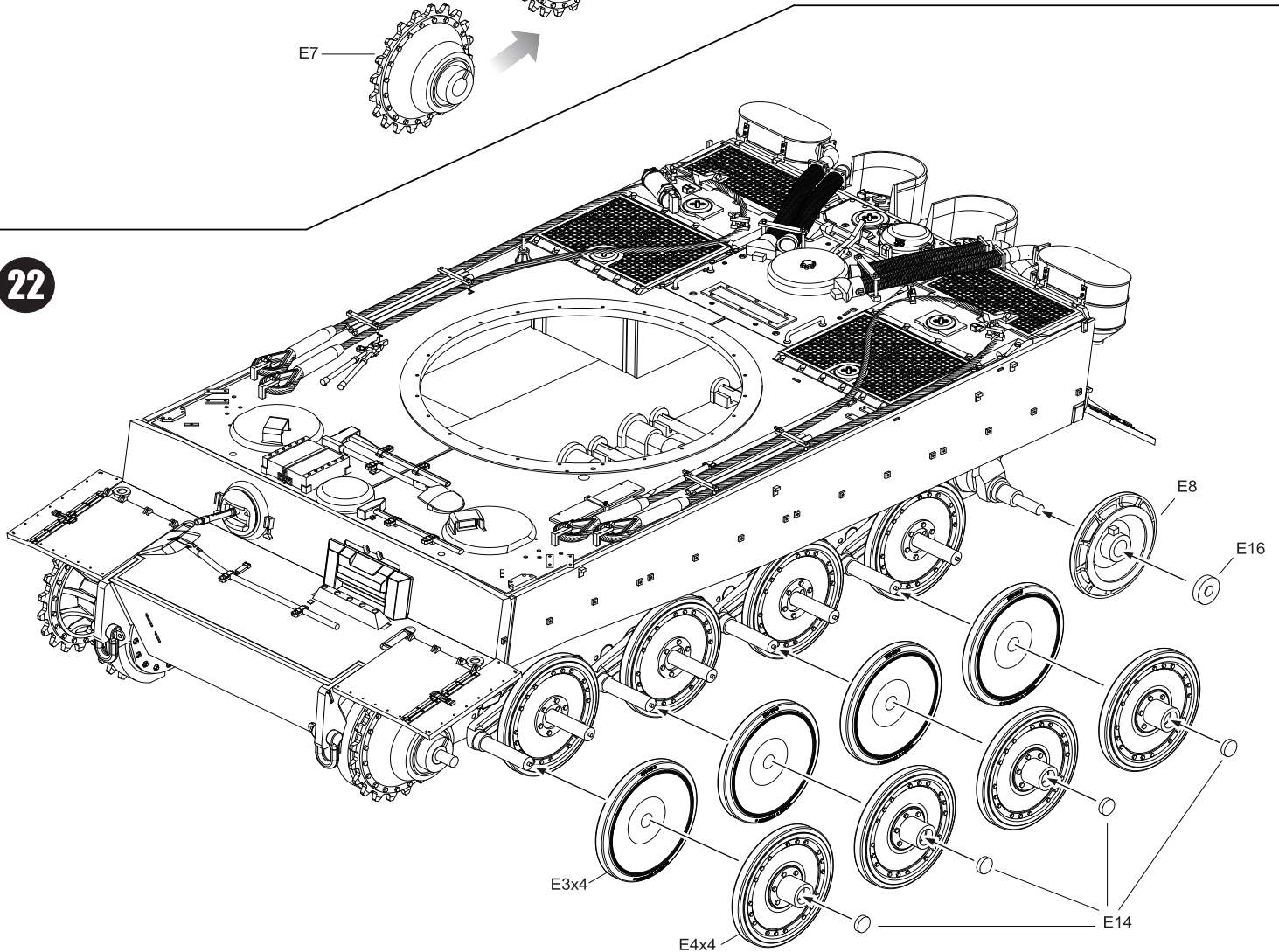
20



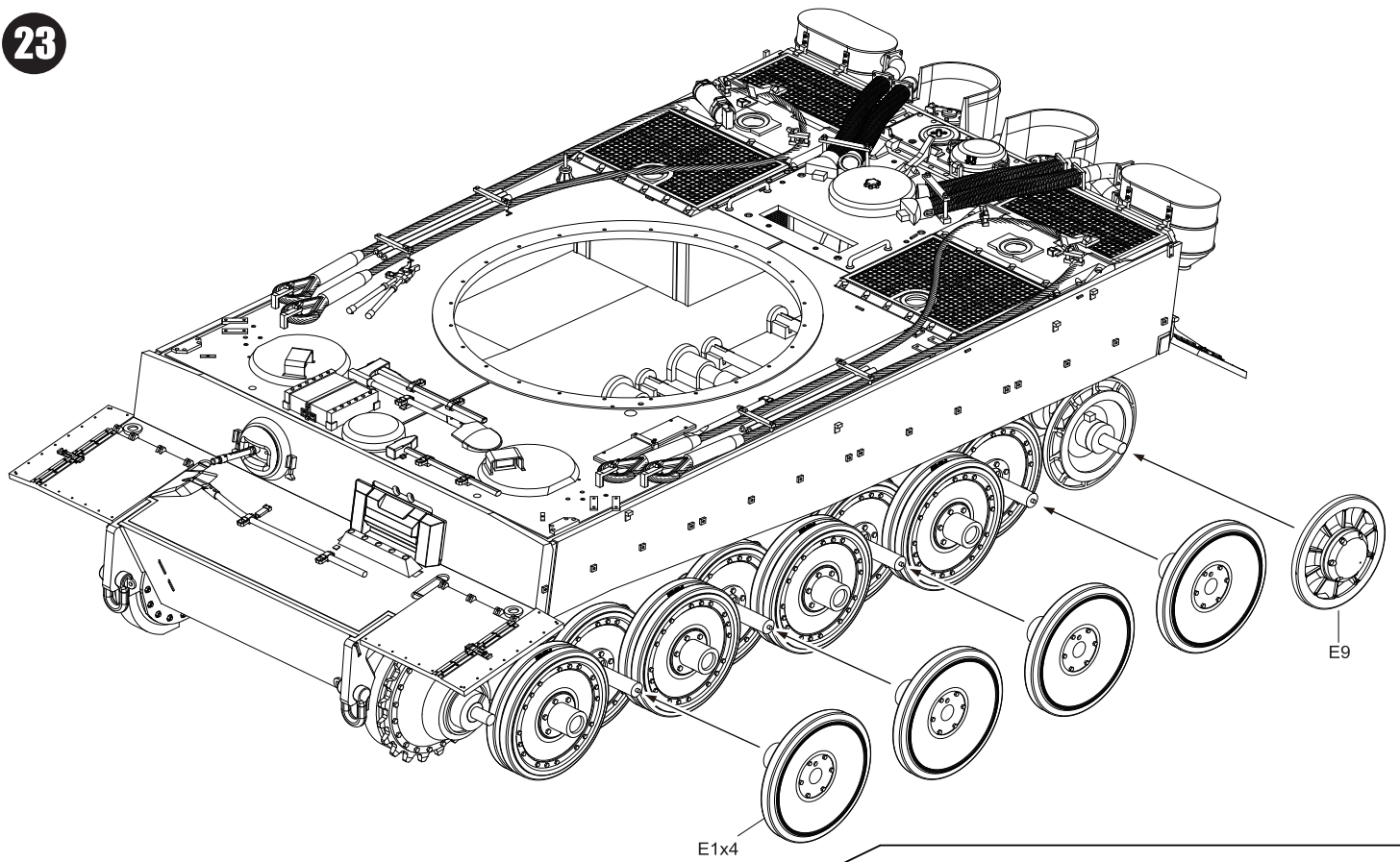
21



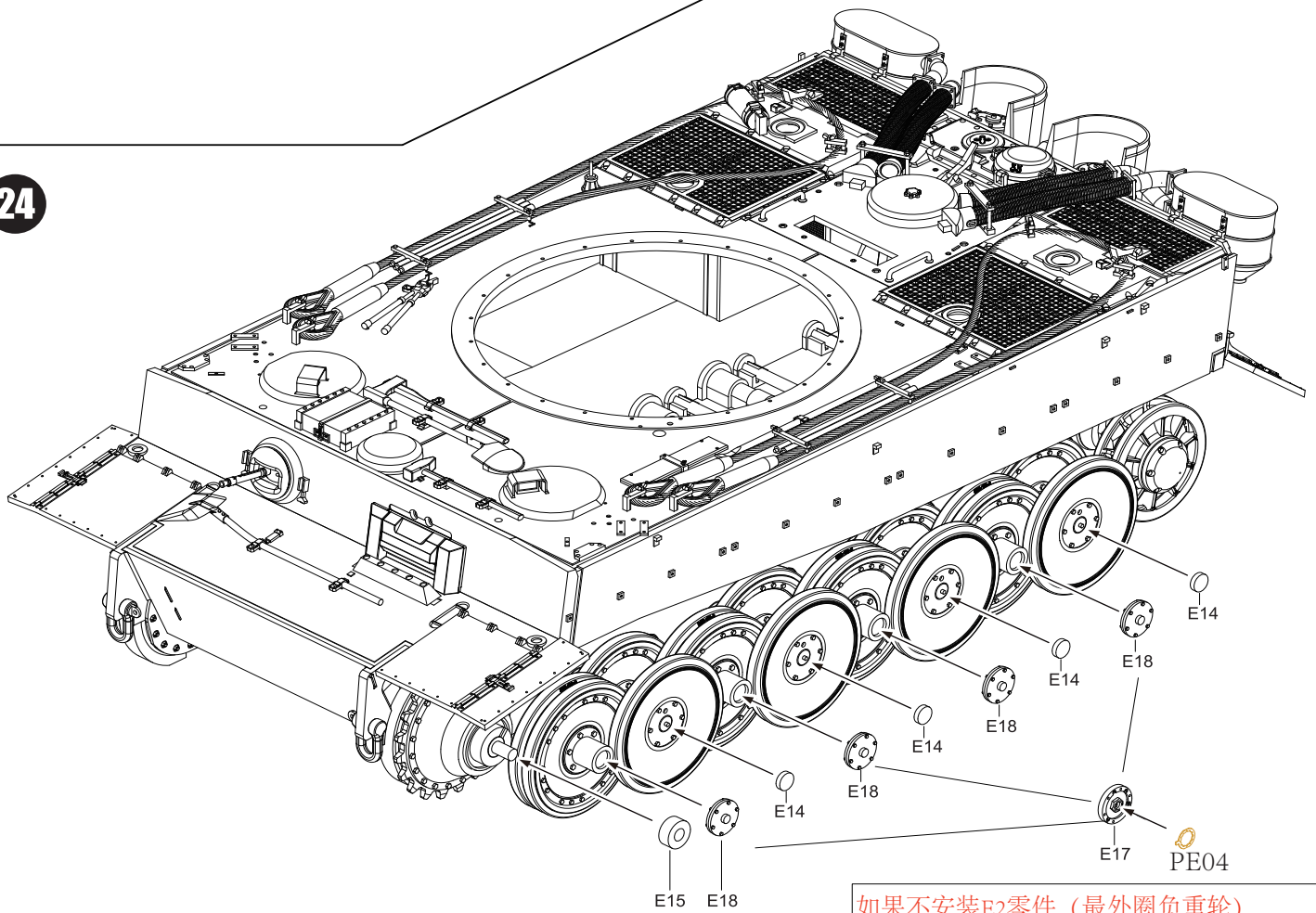
22



23



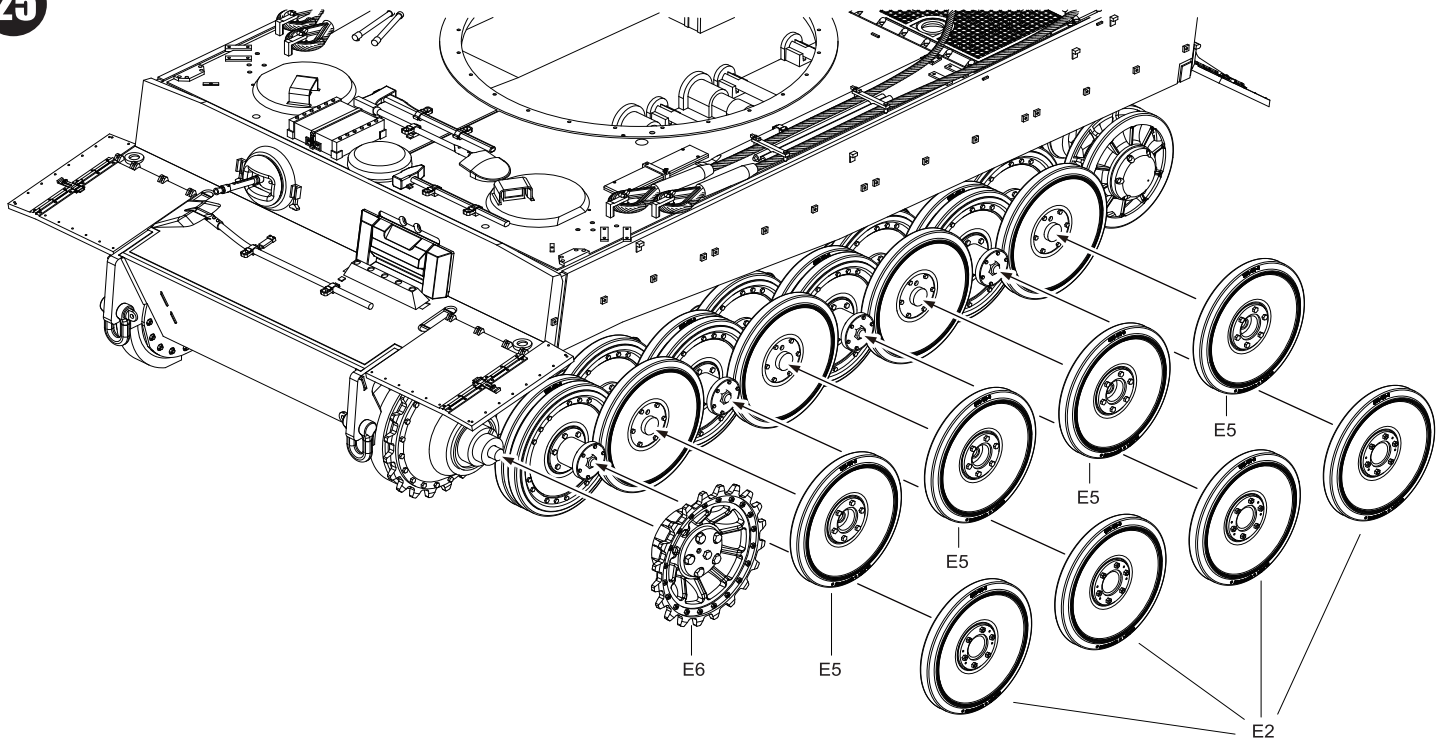
24



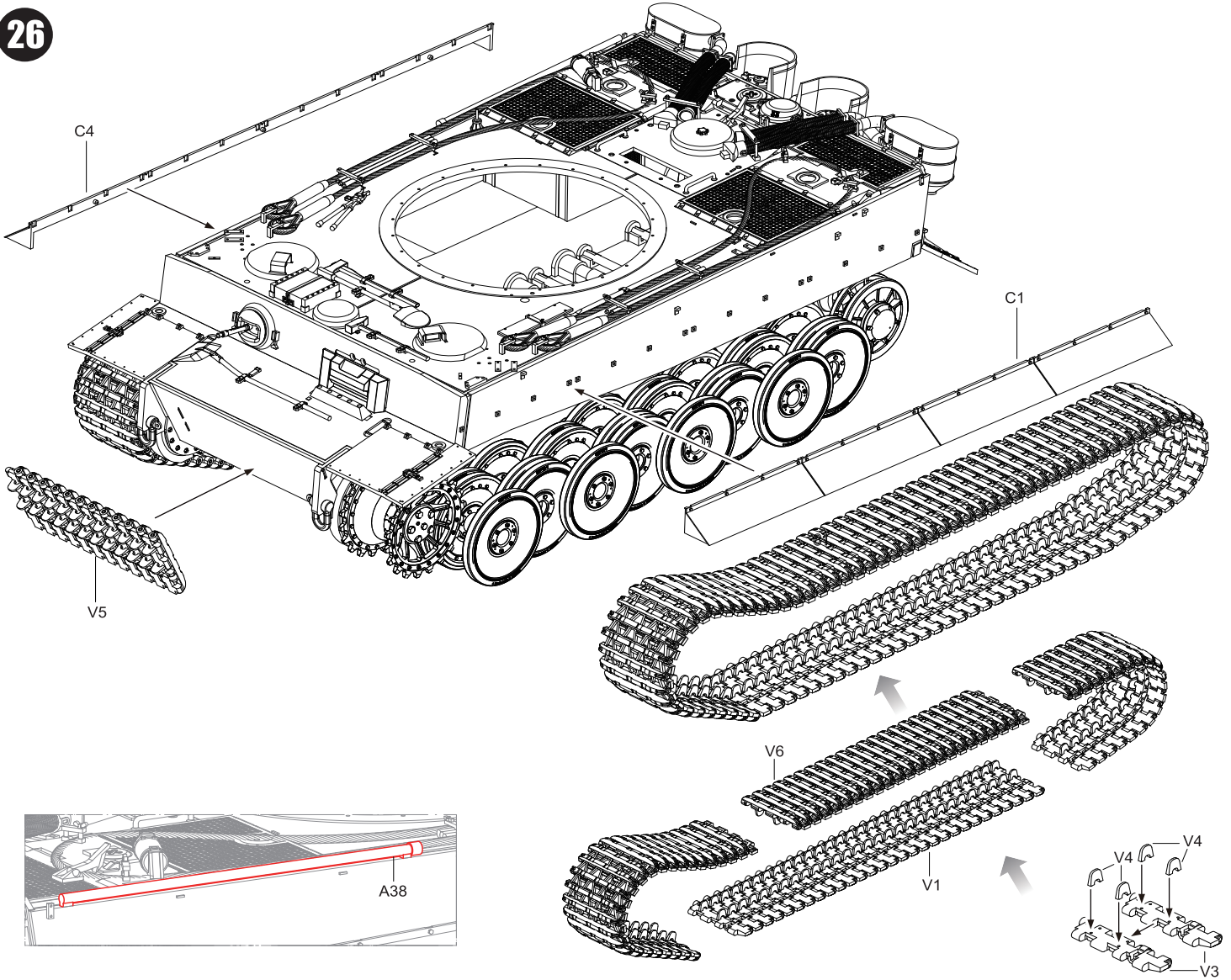
如果不安装E2零件（最外圈负重轮）
 可以使用此零件替代E18
 If E2 parts (outermost road wheel) are not installed
 This part can be used instead of E18

P10

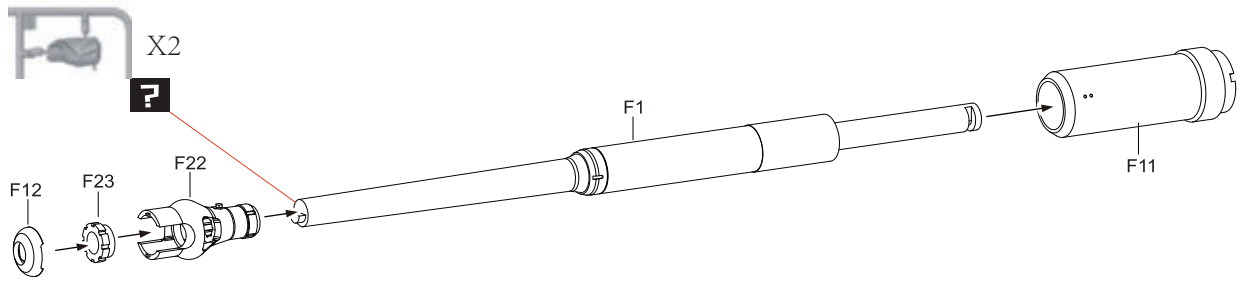
25



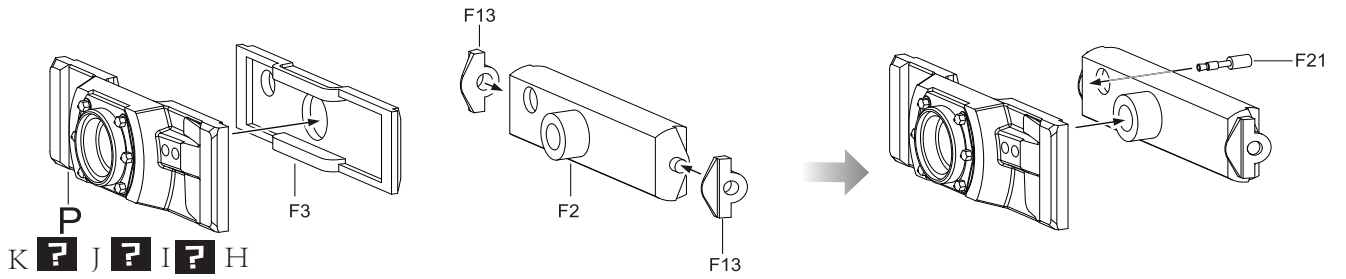
26



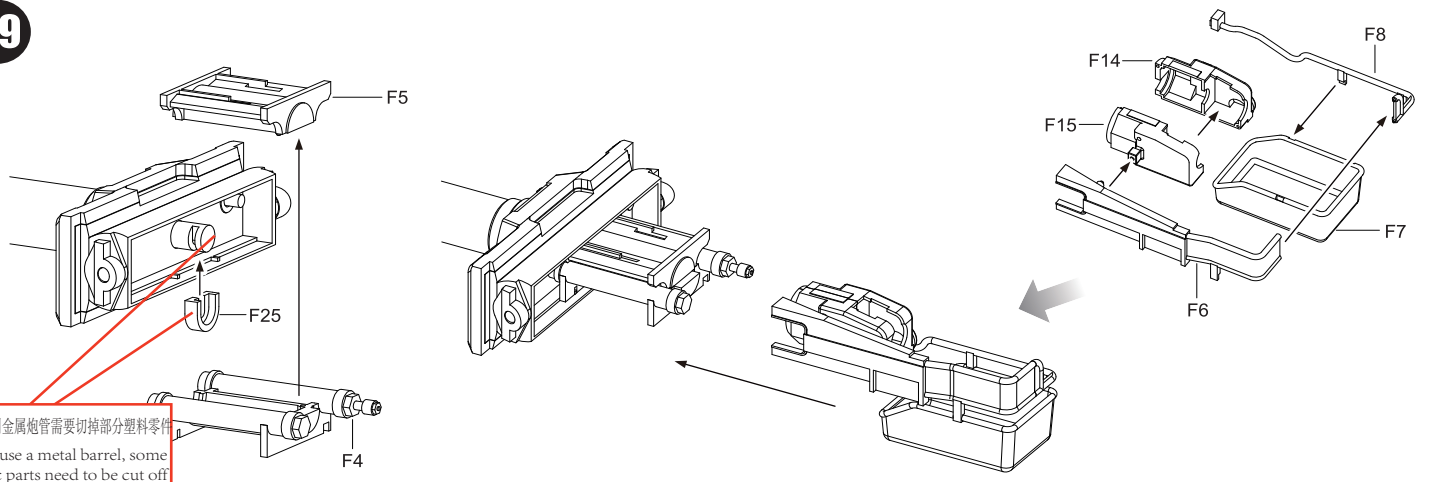
27



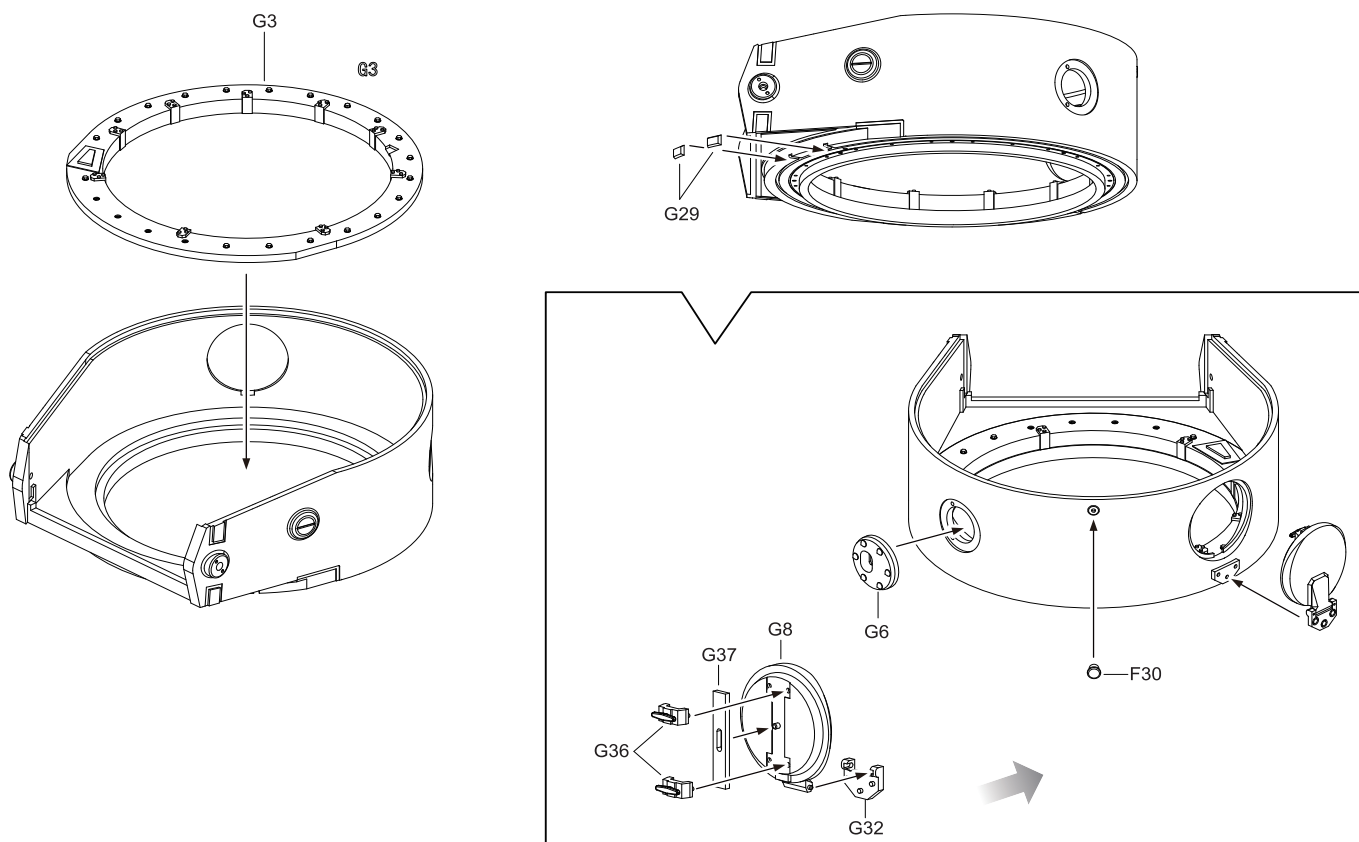
28



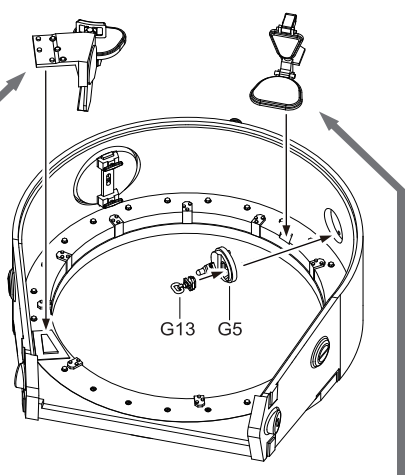
29



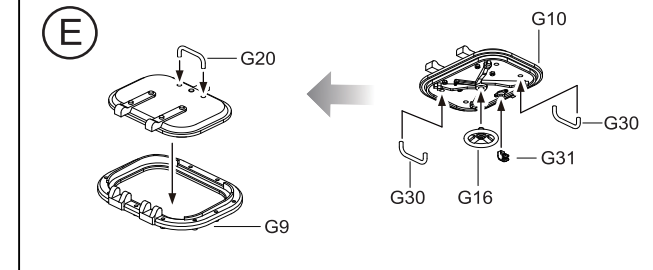
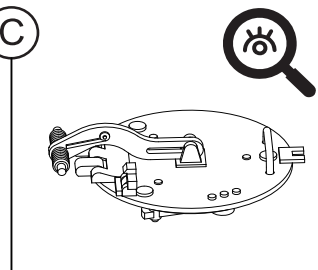
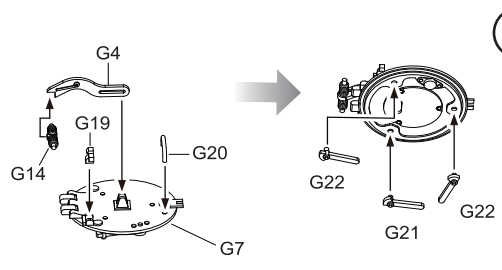
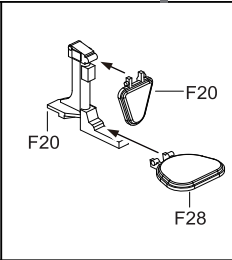
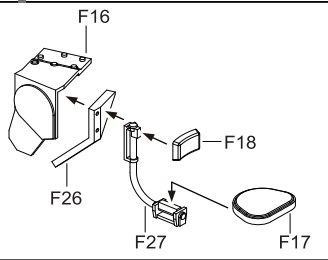
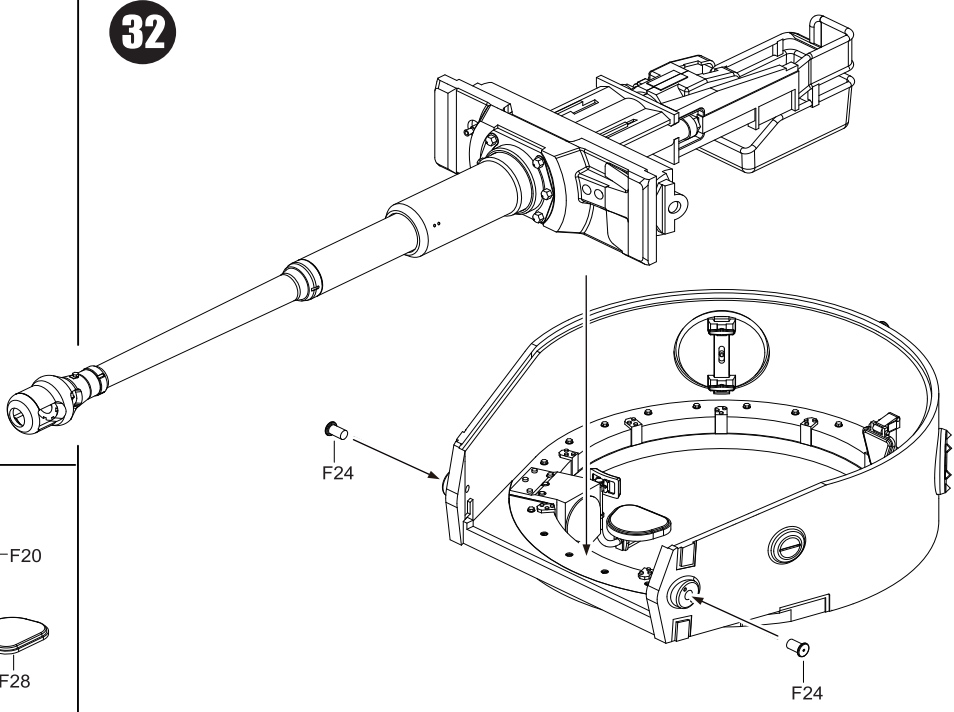
30



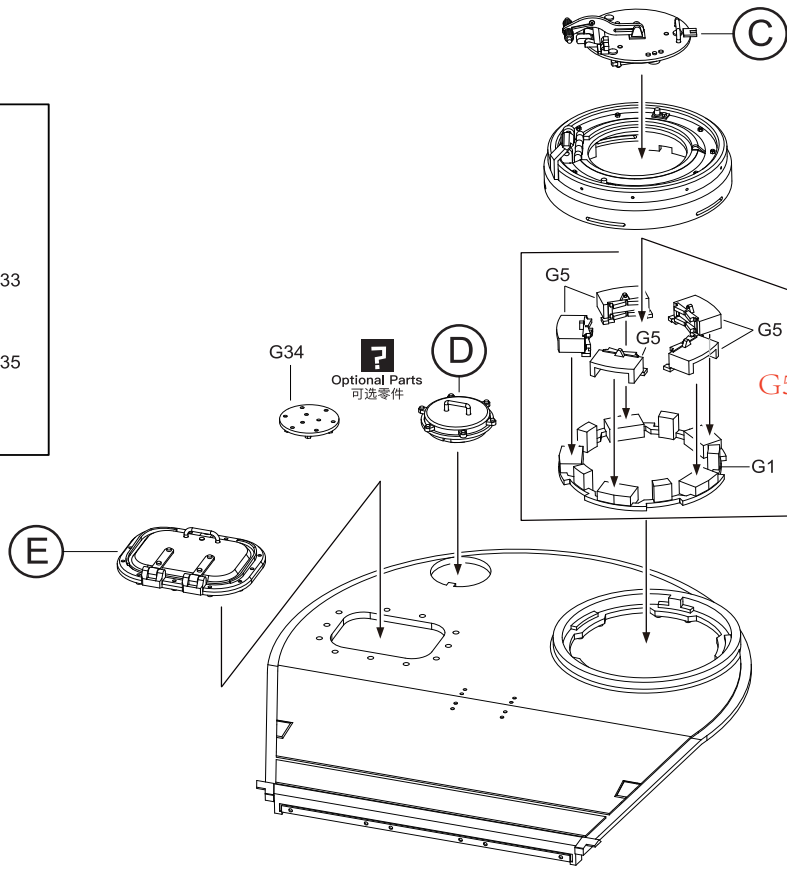
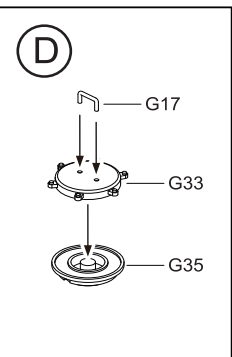
31



32



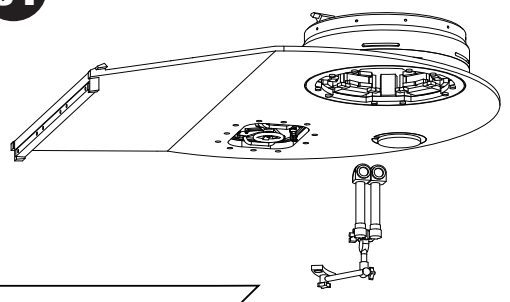
33



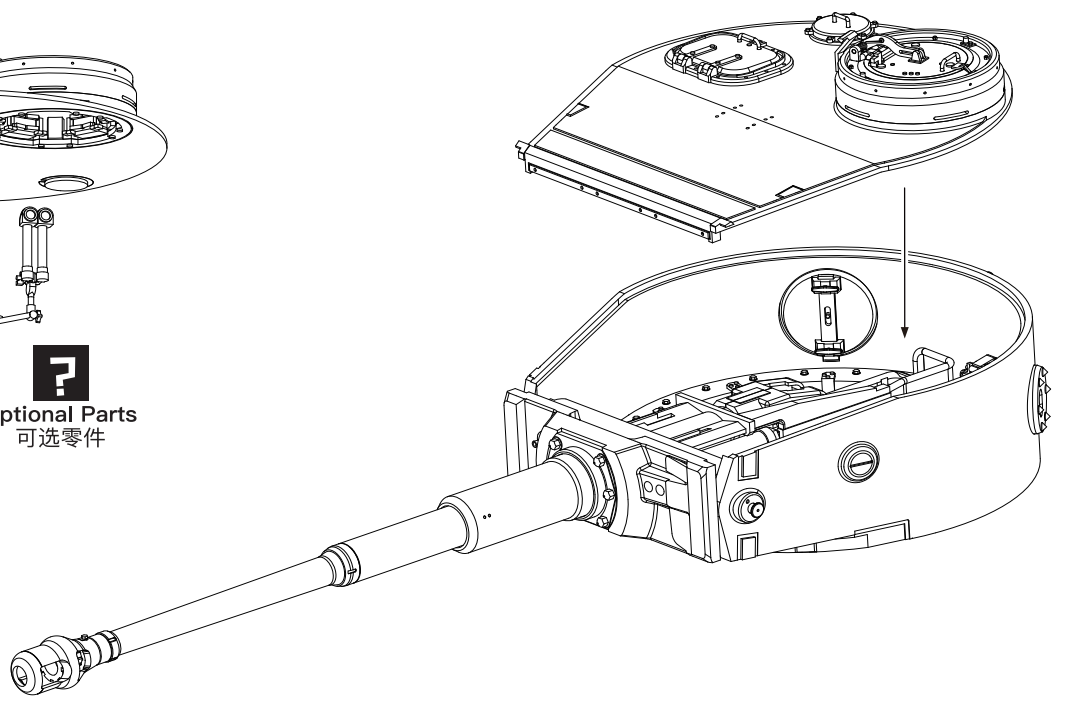
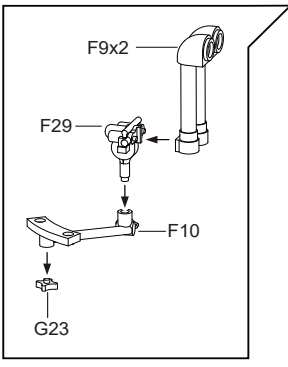
G34
Optional Parts
可选零件

G5 G1 是透明零件 G5 G1 Ransparent parts

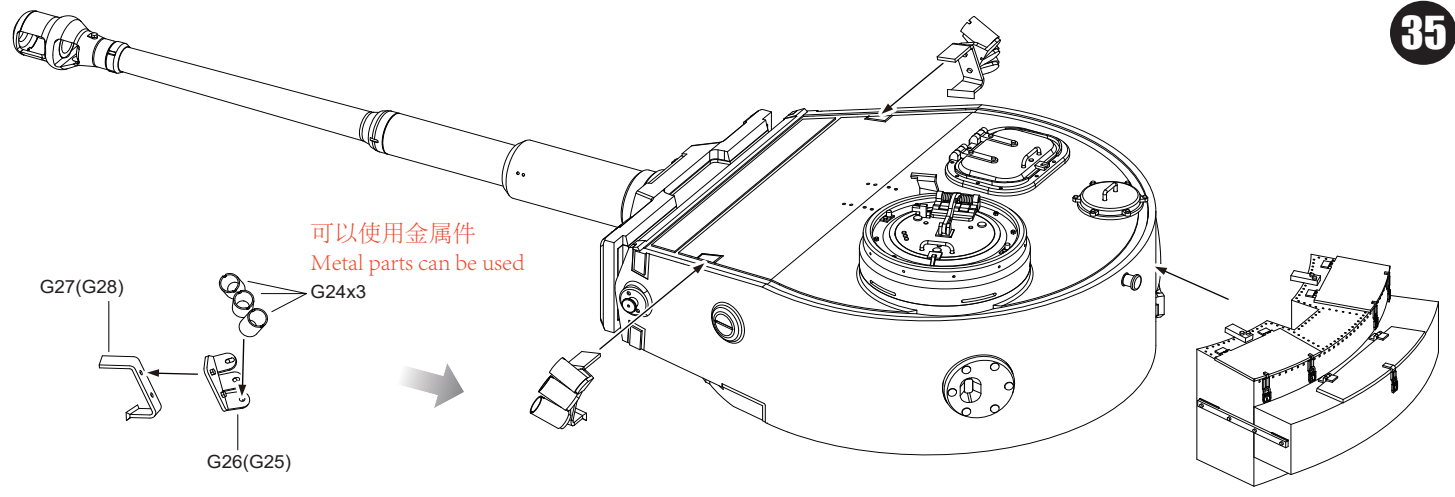
34



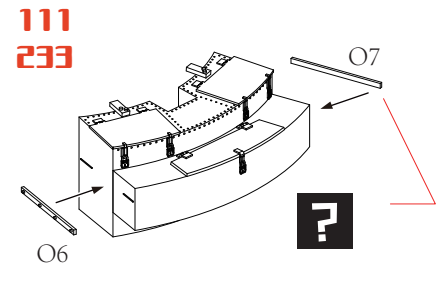
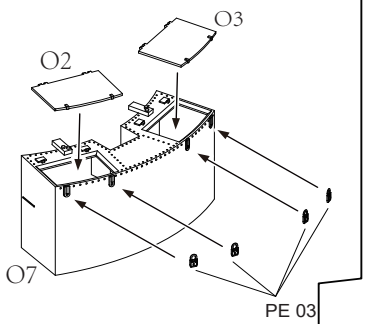
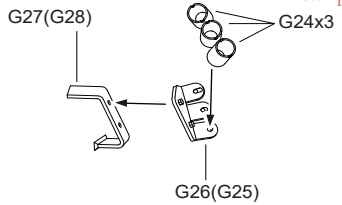
?
Optional Parts
可选零件



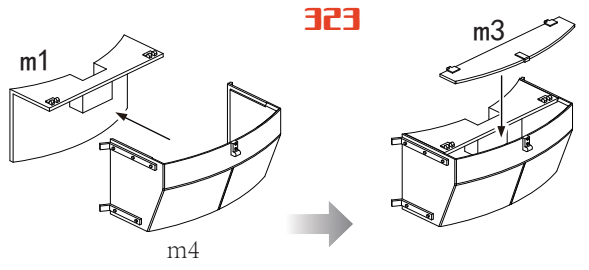
35



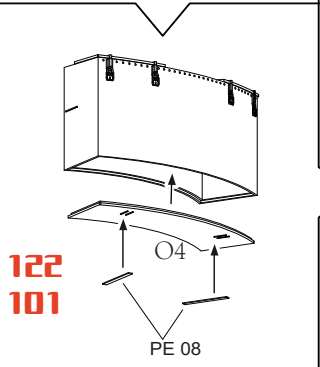
可以使用金属件
Metal parts can be used



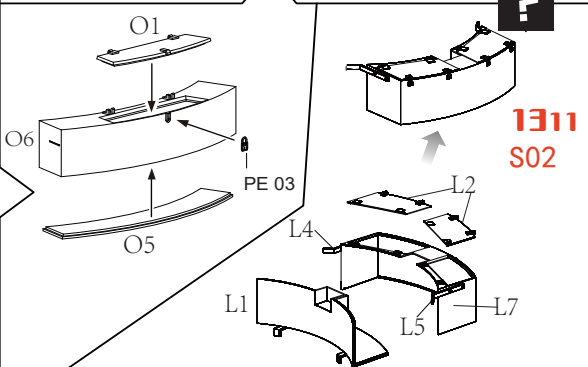
111
233



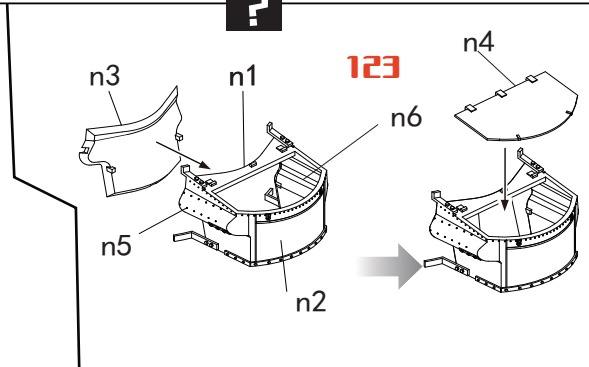
323



122
101

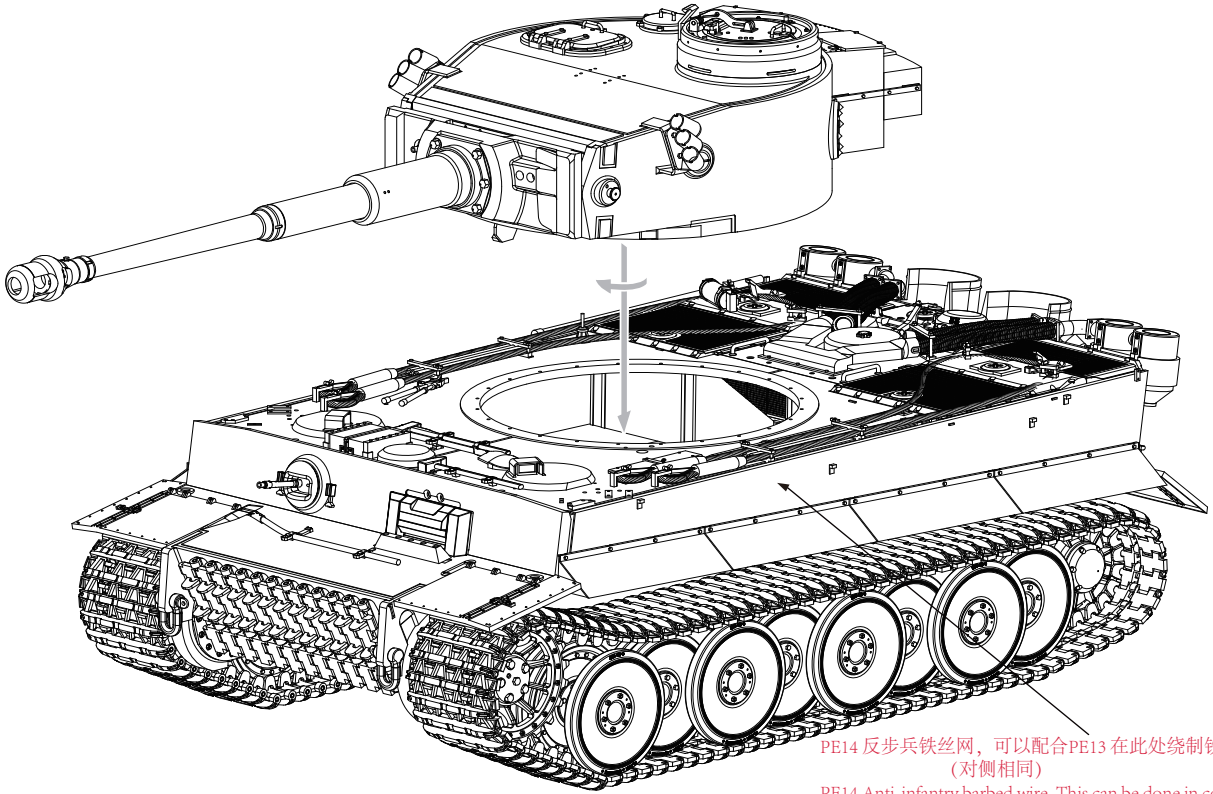


1311
S02



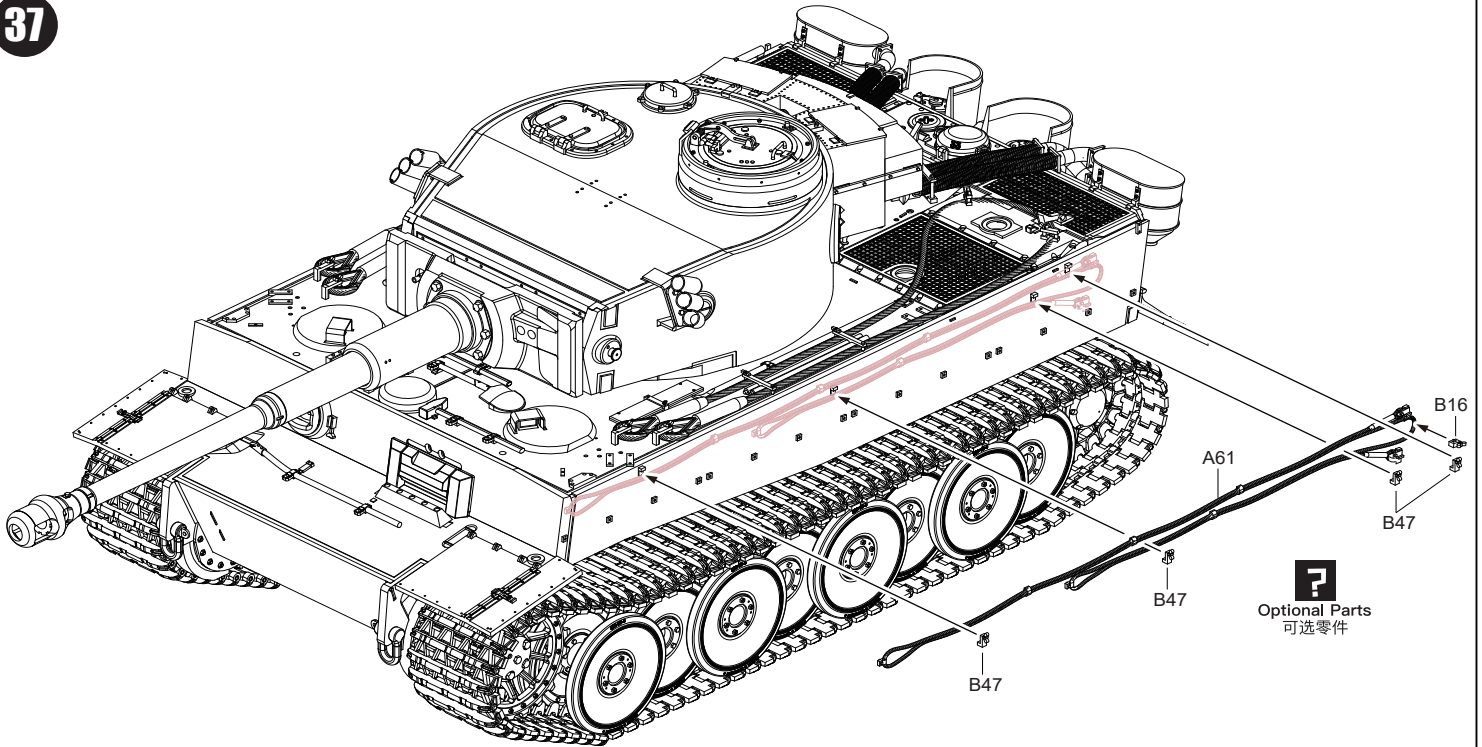
123

36

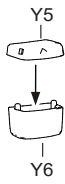


PE14 反步兵铁丝网，可以配合PE13在此处绕制铁丝网
(对侧相同)
PE14 Anti-infantry barbed wire. This can be done in conjunction
with PE13, where the barbed wire is wound. (Same on the opposite side)

37



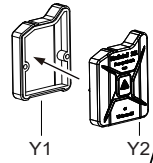
?
Optional Parts
可选零件



Y5

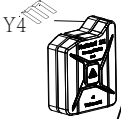


Y6



Y1

Y2



Y4

Y16

PE12



Y29

Y28

Y30



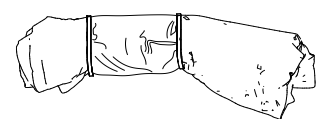
Y20



Y19



Y18



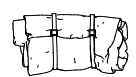
Y25



Y24



Y26



TIGER I AUSEE

EARLY PRODUCTION

PAINTING AND MARKING GUIDE

BORDER MODEL REF: BT-010 Schwere Panzerabteilung 502, No.101. Eastern Front. Winter of 1943-44.

 A.MIG-0035 Dark Tracks	 A.MIG-0033 Rubber & Tires	 A.MIG-0045 Gun Metal	 A.MIG-0038 Ligth Wood
 A.MIG-0040 Medium Rust	 A.MIG-0010 RAL 7028 Dunkelgelb (Mid War)	 A.MIG-0034 Rust Tracks	 A.MIG-0002 RAL 6003 Olivgrün OPT. 2
 A.MIG-0015 RAL 8017 Schokobraun	 A.MIG-0024 Washable White Camo		



WEATHERING STEPS WITH AMMO PRODUCTS

1 GENERAL WASH A.MIG-1010 Neutral Wash	3 STREAKING A.MIG-1255 Streakingbrusher Winter Grime	5 RUST A.MIG-1204 Streaking Rust Effects	7 MUD A.MIG-1705 Wet Mud	9 FUEL A.MIG-1409 Fuel Stains
2 FILTER A.MIG-1501 Grey for White	4 TRACKS WASH A.MIG-1002 Tracks Wash	6 DUST A.MIG-3029 Winter Soil	8 SPLASHES A.MIG-1754 Damp Earth	10 OIL A.MIG-1408 Fresh Engine Oil

TIGER I AUSEF. E

EARLY PRODUCTION

PAINTING AND MARKING GUIDE

BORDER MODEL REF: BT-010 Schwere Panzerabteilung 505, No.111. Eastern Front, Kursk. July 1943.

 A.MIG-0035 Dark Tracks	 A.MIG-0033 Rubber & Tires	 A.MIG-0045 Gun Metal	 A.MIG-0037 New Wood
 A.MIG-0040 Medium Rust	 A.MIG-0010 RAL 7028 Dunkelgelb (Mid War)	 A.MIG-0034 Rust Tracks	 A.MIG-0001 RAL 6003 Olivgrün OPT.1
 A.MIG-0015 RAL 8017 Schokobraun			



WEATHERING STEPS WITH AMMO PRODUCTS

1 GENERAL WASH A.MIG-1000 Brown Wash for German Dark Yellow	3 STREAKING A.MIG-1203 Streaking Grime	5 RUST A.MIG-1254 Streakingbrusher Rust	7 MUD A.MIG-1703 Moist Ground	9 FUEL A.MIG-1409 Fuel Stains
2 FILTER A.MIG-1510 Tan for 3 Tone Camo	4 TRACKS WASH A.MIG-1002 Tracks Wash	6 DUST A.MIG-3012 Sand	8 SPLASHES A.MIG-1752 Loose Ground	10 OIL A.MIG-1408 Fresh Engine Oil

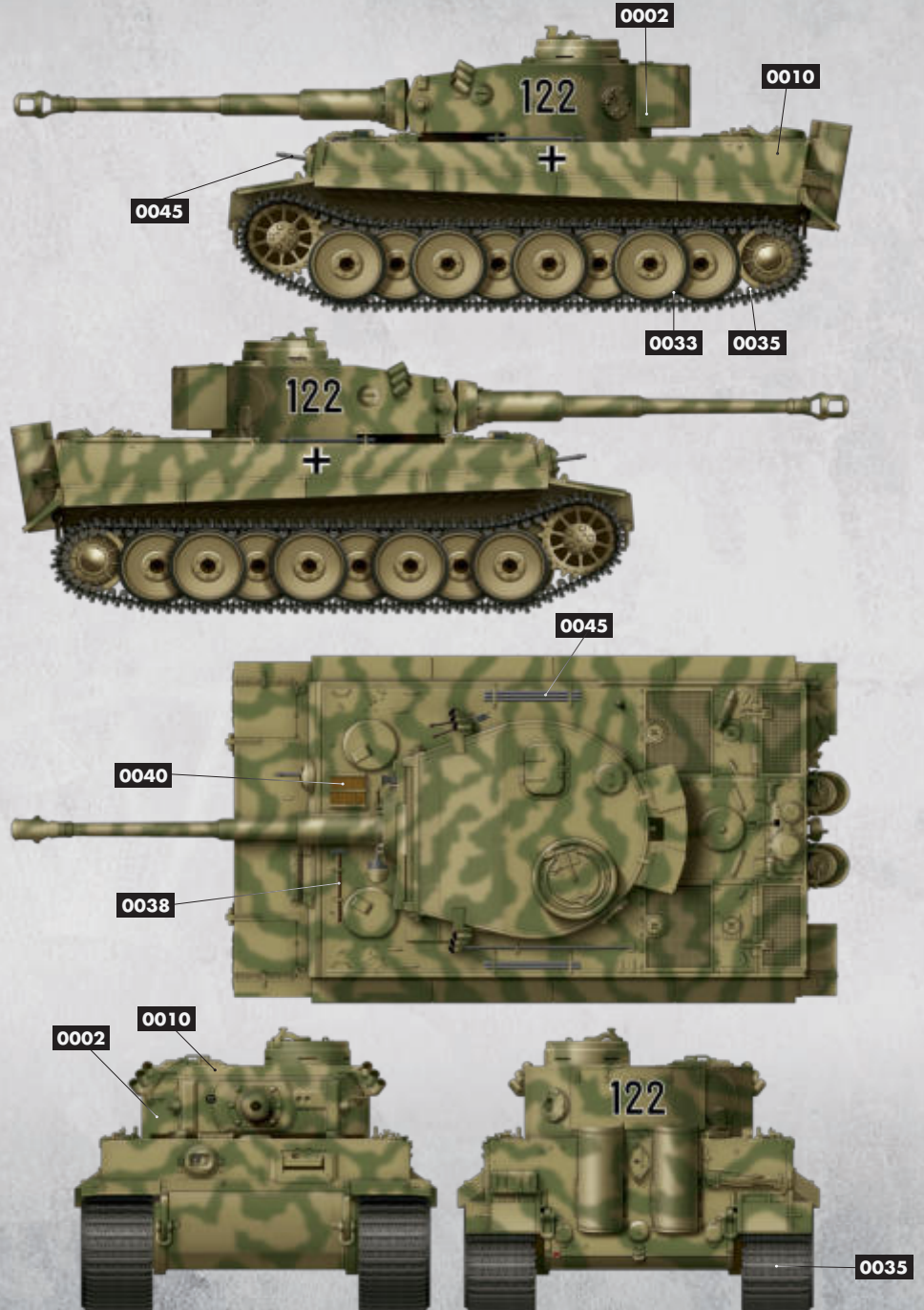
TIGER I AUSEF. E

EARLY PRODUCTION

PAINTING AND MARKING GUIDE

BORDER MODEL REF: BT-010 Schwere Panzerabteilung 503, No.122. Eastern Front, Kursk. July-August 1943.

 A.MIG-0035 Dark Tracks	 A.MIG-0033 Rubber & Tires	 A.MIG-0045 Gun Metal	 A.MIG-0038 Ligth Wood
 A.MIG-0040 Medium Rust	 A.MIG-0010 RAL 7028 Dunkelgelb (Mid War)	 A.MIG-0002 RAL 6003 Olivgrün OPT.2	



WEATHERING STEPS WITH AMMO PRODUCTS

1 GENERAL WASH A.MIG-1000 Brown Wash for German Dark Yellow	3 STREAKING A.MIG-1203 Streaking Grime	5 RUST A.MIG-1254 Streakingbrusher Rust	7 MUD A.MIG-1702 Turned Earth	9 FUEL A.MIG-1409 Fuel Stains
2 FILTER A.MIG-1511 Brown for Dark Yellow	4 TRACKS WASH A.MIG-1002 Tracks Wash	6 DUST A.MIG-3011 Airfield Dust	8 SPLASHES A.MIG-1751 Dry Steppe	10 OIL A.MIG-1408 Fresh Engine Oil

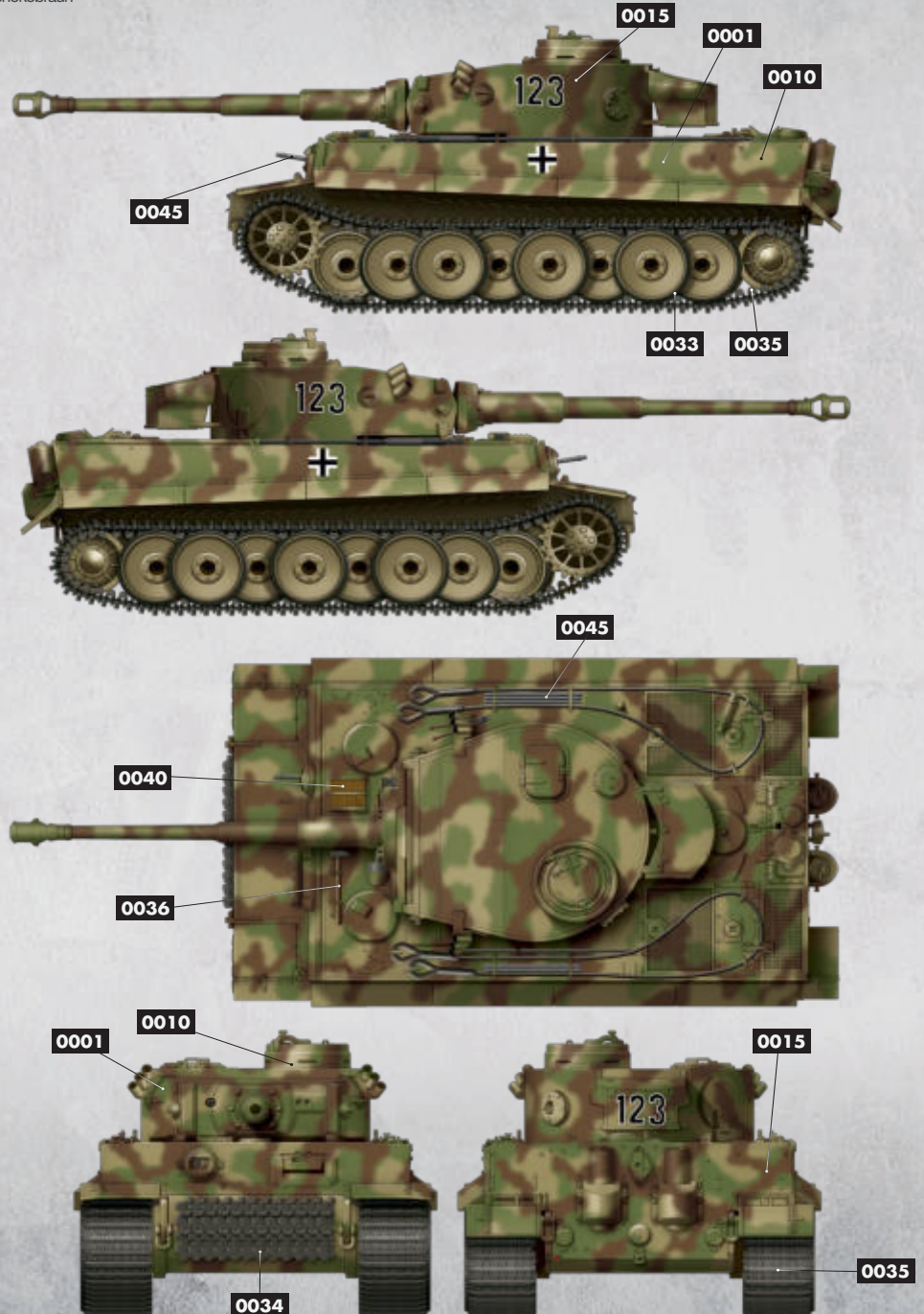
TIGER I AUSEF. E

EARLY PRODUCTION

PAINTING AND MARKING GUIDE

BORDER MODEL REF: BT-010 Schwere Panzerabteilung 503, No.123. Eastern Front, Kursk. July-August 1943.

 A.MIG-0035 Dark Tracks	 A.MIG-0033 Rubber & Tires	 A.MIG-0045 Gun Metal	 A.MIG-0036 Old Wood
 A.MIG-0040 Medium Rust	 A.MIG-0010 RAL 7028 Dunkelgelb (Mid War)	 A.MIG-0034 Rust Tracks	 A.MIG-0001 RAL 6003 Olivgrün OPT.1
 A.MIG-0015 RAL 8017 Schokobraun			



WEATHERING STEPS WITH AMMO PRODUCTS

1 GENERAL WASH A.MIG-1000 Brown Wash for German Dark Yellow	3 STREAKING A.MIG-1206 Dark Streaking Grime	5 RUST A.MIG-1204 Streaking Rust Effects	7 MUD A.MIG-1704 Heavy Earth	9 FUEL A.MIG-1409 Fuel Stains
2 FILTER A.MIG-1510 Tan for 3 Tone Camo	4 TRACKS WASH A.MIG-1002 Tracks Wash	6 DUST A.MIG-3004 Europe Earth	8 SPLASHES A.MIG-1753 Turned Dirt	10 OIL A.MIG-1408 Fresh Engine Oil

TIGER I AUSEF. E

EARLY PRODUCTION

PAINTING AND MARKING GUIDE

BORDER MODEL REF: BT-010 Schwere Panzerabteilung 505, No.233. Eastern Front, Kursk. July 1943.

 A.MIG-0035 Dark Tracks	 A.MIG-0033 Rubber & Tires	 A.MIG-0045 Gun Metal	 A.MIG-0038 Ligth Wood
 A.MIG-0040 Medium Rust	 A.MIG-0010 RAL 7028 Dunkelgelb (Mid War)	 A.MIG-0034 Rust Tracks	 A.MIG-0002 RAL 6003 Olivgrün OPT.2
 A.MIG-0015 RAL 8017 Schokobraun			



WEATHERING STEPS WITH AMMO PRODUCTS

1 GENERAL WASH A.MIG-1008 Dark Wash	3 STREAKING A.MIG-1253 Streakingbrusher Grime	5 RUST A.MIG-3510 Rust	7 MUD A.MIG-1704 Heavy Earth	9 FUEL A.MIG-1409 Fuel Stains
2 FILTER A.MIG-1510 Tan for 3 Tone Camo	4 TRACKS WASH A.MIG-1002 Tracks Wash	6 DUST A.MIG-3011 Airfield Dust	8 SPLASHES A.MIG-1753 Turned Dirt	10 OIL A.MIG-1408 Fresh Engine Oil

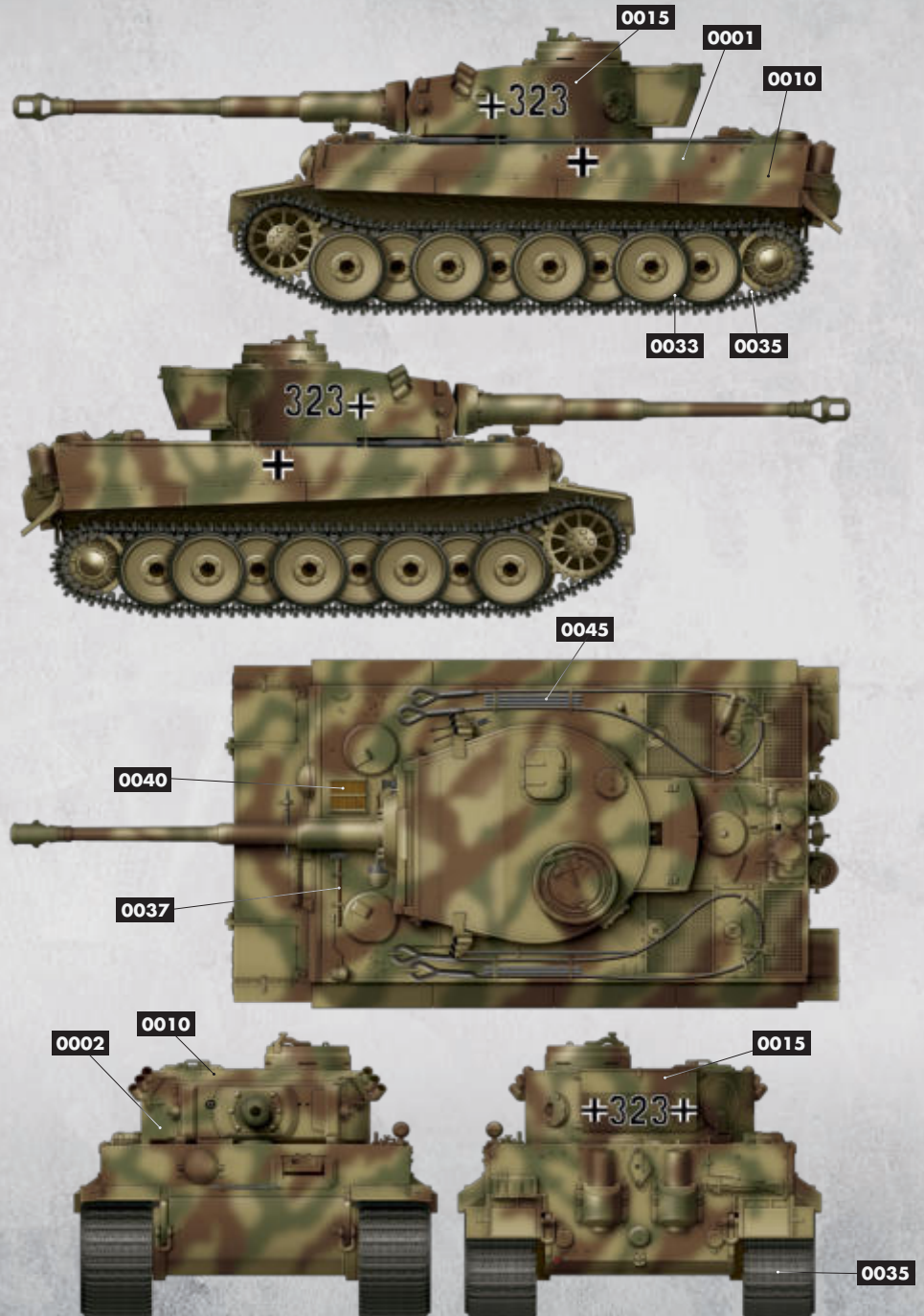
TIGER I AUSEF. E

EARLY PRODUCTION

PAINTING AND MARKING GUIDE

BORDER MODEL REF: BT-010 Schwere Panzerabteilung 503, No.323. Eastern Front, Kursk. August 1943.

 A.MIG-0035 Dark Tracks	 A.MIG-0033 Rubber & Tires	 A.MIG-0045 Gun Metal	 A.MIG-0037 New Wood
 A.MIG-0040 Medium Rust	 A.MIG-0010 RAL 7028 Dunkelgelb (Mid War)	 A.MIG-0001 RAL 6003 Olivgrün OPT.1	 A.MIG-0015 RAL 8017 Schokobraun



WEATHERING STEPS WITH AMMO PRODUCTS


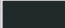



1 GENERAL WASH A.MIG-1000 Brown Wash for German Dark Yellow	3 STREAKING A.MIG-1253 Streakingbrusher Grime	5 RUST A.MIG-1254 Streakingbrusher Rust	7 MUD A.MIG-1703 Moist Ground	9 FUEL A.MIG-1409 Fuel Stains
2 FILTER A.MIG-1510 Tan for 3 Tone Camo	4 TRACKS WASH A.MIG-1002 Tracks Wash	6 DUST A.MIG-3013 Rubble	8 SPLASHES A.MIG-1752 Loose Ground	10 OIL A.MIG-1408 Fresh Engine Oil

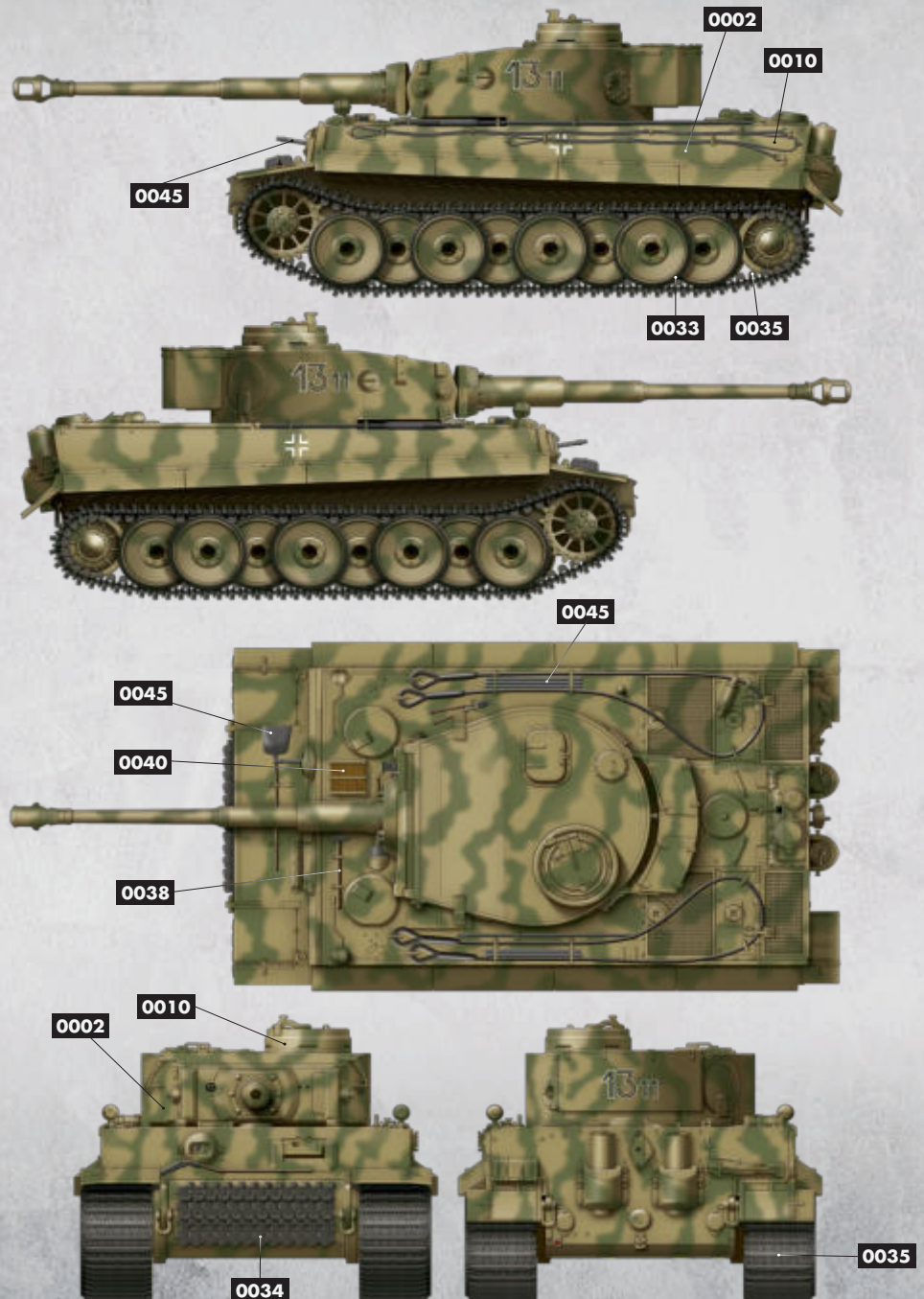
TIGER I AUSEE

EARLY PRODUCTION

PAINTING AND MARKING GUIDE

BORDER MODEL REF: BT-010 1.SS Panzerregiment, No.1311. Eastern Front. May 1943.

 A.MIG-0035 Dark Tracks	 A.MIG-0033 Rubber & Tires	 A.MIG-0045 Gun Metal	 A.MIG-0038 Ligth Wood
 A.MIG-0040 Medium Rust	 A.MIG-0010 RAL 7028 Dunkelgelb (Mid War)	 A.MIG-0034 Rust Tracks	 A.MIG-0002 RAL 6003 Olivgrün OPT.2



WEATHERING STEPS WITH AMMO PRODUCTS

1 GENERAL WASH A.MIG-1000 Brown Wash for German Dark Yellow	3 STREAKING A.MIG-1253 Streakingbrusher Grime	5 RUST A.MIG-1204 Streaking Rust Effects	7 MUD A.MIG-1705 Wet Mud	9 FUEL A.MIG-1409 Fuel Stains
2 FILTER A.MIG-1511 Brown for Dark Yellow	4 TRACKS WASH A.MIG-1002 Tracks Wash	6 DUST A.MIG-3004 Europe Earth	8 SPLASHES A.MIG-1754 Damp Earth	10 OIL A.MIG-1408 Fresh Engine Oil

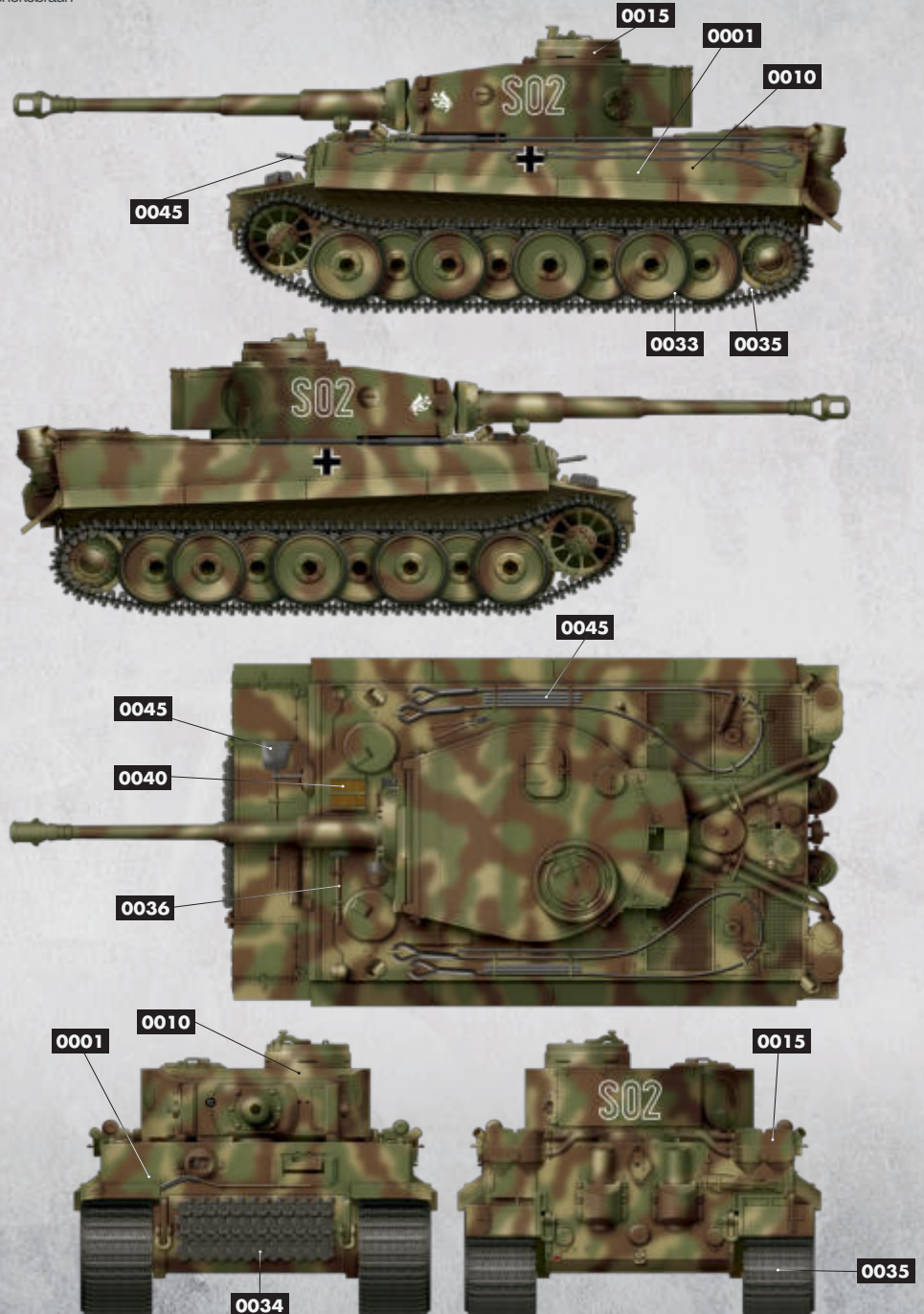
TIGER I AUSEE

EARLY PRODUCTION

PAINTING AND MARKING GUIDE

BORDER MODEL REF: BT-010 2.SS Panzerregiment, No.S02. Eastern Front/Kursk. July 1943.

 A.MIG-0035 Dark Tracks	 A.MIG-0033 Rubber & Tires	 A.MIG-0045 Gun Metal	 A.MIG-0036 Old Wood
 A.MIG-0040 Medium Rust	 A.MIG-0010 RAL 7028 Dunkelgelb (Mid War)	 A.MIG-0034 Rust Tracks	 A.MIG-0001 RAL 6003 Olivgrün OPT.1
 A.MIG-0015 RAL 8017 Schokobraun			



WEATHERING STEPS WITH AMMO PRODUCTS

1 GENERAL WASH A.MIG-1005 Dark Brown Wash for Green Vehicles	3 STREAKING A.MIG-1256 Streakingbrusher Green-Grey Grime	5 RUST A.MIG-3510 Rust	7 MUD A.MIG-1703 Moist Ground	9 FUEL A.MIG-1409 Fuel Stains
2 FILTER A.MIG-1510 Tan for 3 Tone Camo	4 TRACKS WASH A.MIG-1002 Tracks Wash	6 DUST A.MIG-3002 Light Dust	8 SPLASHES A.MIG-1752 Loose Ground	10 OIL A.MIG-1408 Fresh Engine Oil

